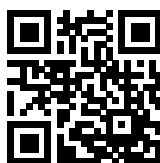


# EMC/EMI Filter for Installations with Residual Current Device (RCD)



- Full functionality with RCDs according to IEC 61008 and new VDE 0664-110\*
- Compatible with 30 mA RCDs up to 30 m motor cable for electric shock protection according to IEC 61008
- Compatible with 300 mA RCDs up to 100 m motor cable for fire protection according to IEC 60364-4-42 (VDE 0100-482)

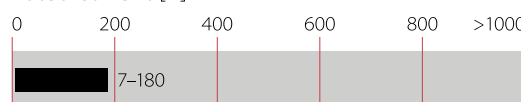


### Performance indicators

Attenuation performance



Rated current [A]



## Technical Specifications

|  |  |
|--|--|
| <b>Maximum continuous operating voltage</b>      | 3x 520/300 VAC   |
| <b>Operating frequency</b>                       | DC to 60 Hz  |
| <b>Rated currents</b>                            | 7 to 180 A   |
| <b>High potential test voltage</b>               | P → E 2750 VDC for 2 sec<br>P → P 2250 VDC for 2 sec                             |
| <b>Protection category</b>                       | IP 20  |
| <b>Overload capability</b>                       | 4x rated current at switch on,<br>1.5x rated current for 1 minute, once per hour |
| <b>Temperature range (operation and storage)</b> | -25°C to +100°C (25/100/21)  |
| <b>Flammability corresponding to</b>             | UL 94 V-2 or better  |
| <b>Design corresponding to</b>                   | UL 1283, CSA 22.2 No. 8 1986, IEC/EN 60939                                       |
| <b>MTBF @ 50°C/400 V (Mil-HB-217F)</b>           | >300,000 hours   |

\* If supply voltage is contaminated with harmonics according to IEC 61000-2-4, class 2, where odd-numbered multiples of three are limited to 30%.

\*\* Filter types 7 A up to 42 A: C1, 30 m, 30 mA; 55 A: C2, 30 m, 30 mA; 75 A up to 180 A: C2, 100 m, 300 mA

### Approvals & Compliances



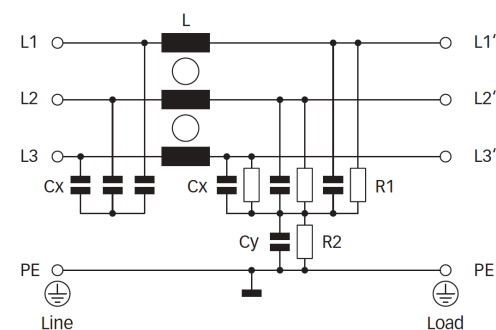
### Features and Benefits

- Innovative low-leakage current filter with same smallest dimensions as FN 3258
- Significant reduction of leakage and ground currents caused by long motor cables
- Prevents unwanted fault shut-downs from RCDs in machines and process automation equipment
- Patented filter design avoiding early saturation and ringing effects
- Excellent attenuation compliant with: C1 limits EN 61800-3 with 30 meter motor cable and 30 mA RCD (electric shock protection)\*\*
- C2 limits EN 61800-3 with 100 meter motor cable and 300 mA RCD (fire protection)


### Typical Applications

- Three-phase variable speed drives (VSD), servo drives, and inverters
- Machinery and process automation equipment
- Building automation, HVAC equipment, pumps, ventilation, and elevators
- Conveyors, handling and storage systems, and cranes
- Machine tools, wood working machines, and printing machines

### Typical electrical schematic



## Filter Selection Table

| Filter                | Rated current<br>@ 50°C (40°C) | Typical drive<br>power rating* | Leakage current<br>@ 520 VAC/50 Hz | Power loss<br>@ 25°C/50 Hz | Input/Output<br>connections<br> | Weight<br>[kg] |
|-----------------------|--------------------------------|--------------------------------|------------------------------------|----------------------------|--|----------------|
|                       | [A]                            | [kW]                           | [mA]**                             | [W]                        |  |                |
| <b>FN 3268-7-44</b>   | 7 (7.7)                        | 4                              | 2.5                                | 4.5                        | -44  | 0.5            |
| <b>FN 3268-16-44</b>  | 16 (17.5)                      | 7.5                            | 2.6                                | 6.1                        | -44  | 0.8            |
| <b>FN 3268-30-33</b>  | 30 (32.9)                      | 18.5                           | 2.6                                | 13.5                       | -33  | 1.2            |
| <b>FN 3268-42-33</b>  | 42 (46.0)                      | 22                             | 2.6                                | 17.4                       | -33  | 1.4            |
| <b>FN 3268-55-34</b>  | 55 (60.2)                      | 37                             | 2.6                                | 18.1                       | -34  | 2.2            |
| <b>FN 3268-75-34</b>  | 75 (82.2)                      | 45                             | 10.8                               | 25.3                       | -34  | 2.9            |
| <b>FN 3268-100-35</b> | 100 (109.5)                    | 55                             | 9.6                                | 30.0                       | -35  | 4.1            |
| <b>FN 3268-130-35</b> | 130 (142.4)                    | 75                             | 14.2                               | 38.0                       | -35  | 4.6            |
| <b>FN 3268-180-40</b> | 180 (197.1)                    | 110                            | 17.4                               | 48.6                       | -40  | 6.0            |

\* Calculated at rated current, 440 VAC and  $\cos \phi=0.8$ . The exact value depends upon the efficiency of the drive, the motor and the entire application.

\*\* Standardized calculated leakage current acc. IEC60939 under normal operating conditions.

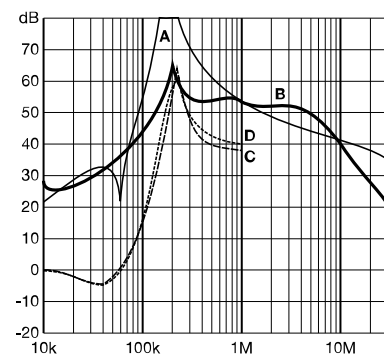
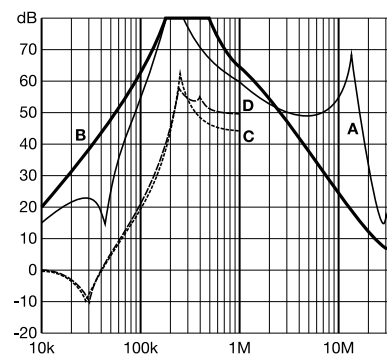
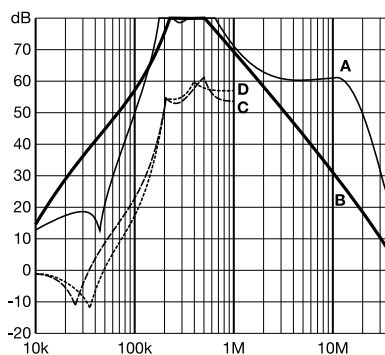
## Typical Filter Attenuation

Per CISPR 17; A=50  $\Omega$ /50  $\Omega$  sym; B=50  $\Omega$ /50  $\Omega$  asym; C=0.1  $\Omega$ /100  $\Omega$  sym; D=100  $\Omega$ /0.1  $\Omega$  sym

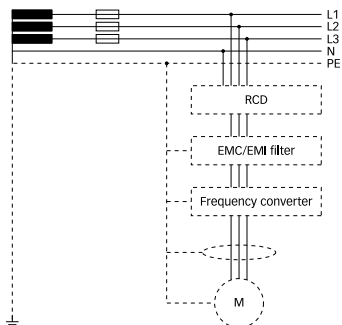
7 to 42 A types

55 to 100 A types

130 and 180 A types



## Installation



Typical installation with RCD, EMC/EMI filter and motor drive system

### RCD

Please note that for electrical devices with 6-pulse rectifiers at line input, like three-phase motor drives, a RCD type B or B+ is required. RCD with time delay are needed to prevent unwanted fault trip at switch on or voltage spikes. These RCD types B with time delay have often an added letter "S" or "K", please ask the supplier for correct type. Caution: Please validate system with chosen RCD to guarantee functionality.

### EMC/EMI filter FN 3268

Filter types from 7 to 55 A are designed to be compatible with 30 mA RCDs according to IEC 61008 and new VDE 0664-110 standards. Filters from 75 up to 180 A are designed to be compatible with 300 mA RCDs. Install the filter as close as possible at line side of the motor drive. Regarding correct EMC installation, please refer to the EMC installation guide in the manual from motor drive supplier.

### Motor drive

Please set the PWM pulse pattern of the variable speed motor drive fixed to 4 kHz. Other pulse patterns cause higher leakage currents. Filter designs with other pulse pattern than 4 kHz are possible upon request.

### Motor cable length

Motor cable length should not exceed 30 meters for 7 up to 55 A filter types to fulfill class C1 of recommended standard EN 61800-3. For 75 up to 180 A filters, cable length should not exceed 100 meters to fulfill class C2.

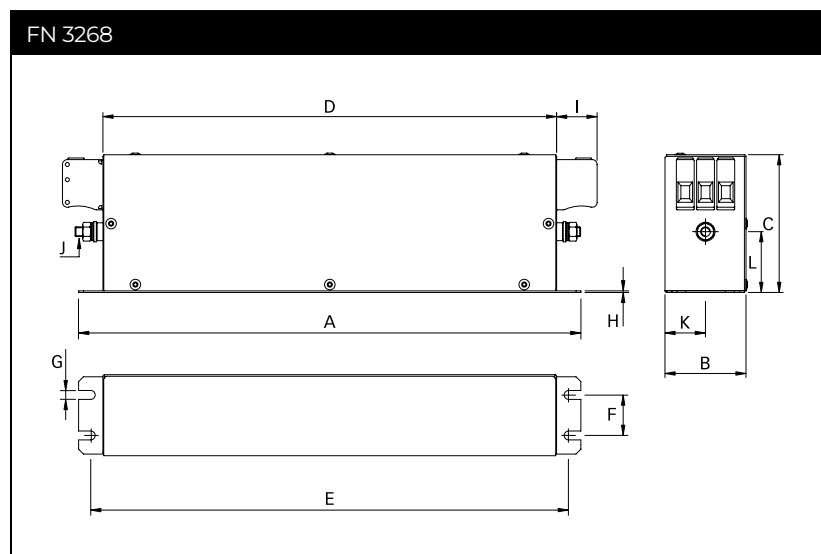
### Internal EMC/EMI components

Please disconnect all internal Y-capacitors (internal EMC/EMI filters) in the motor drive, because these capacitors cause additional leakage currents.

### Harmonics on line voltage

High voltage harmonics can create additional system leakage currents. FN 3268 filters are tested under following conditions: Supply voltage is contaminated with harmonics according to IEC 61000-2-4, class 2, where odd-numbered multiples of three are limited to 30%.

## Mechanical Data



Note: in favour of a better readability, connectors and earth studs are not shown in the horizontal projection.

## Dimensions

|           | 7 A  | 16 A | 30 A | 42 A | 55 A | 75 A | 100 A | 130 A | 180 A |
|-----------|------|------|------|------|------|------|-------|-------|-------|
| <b>A</b>  | 190  | 250  | 270  | 310  | 250  | 270  | 270   | 270   | 380   |
| <b>B</b>  | 40   | 45   | 50   | 50   | 85   | 80   | 90    | 90    | 120   |
| <b>C</b>  | 70   | 70   | 85   | 85   | 90   | 135  | 150   | 150   | 170   |
| <b>D</b>  | 160  | 220  | 240  | 280  | 220  | 240  | 240   | 240   | 350   |
| <b>E</b>  | 180  | 235  | 255  | 295  | 235  | 255  | 255   | 255   | 365   |
| <b>F</b>  | 20   | 25   | 30   | 30   | 60   | 60   | 65    | 65    | 102   |
| <b>G</b>  | 4.5  | 5.4  | 5.4  | 5.4  | 5.4  | 6.5  | 6.5   | 6.5   | 6.5   |
| <b>H</b>  | 1    | 1    | 1    | 1    | 1    | 1.5  | 1.5   | 1.5   | 1.5   |
| <b>I</b>  | 22   | 22   | 25   | 25   | 39   | 39   | 45    | 45    | 51    |
| <b>J</b>  | M5   | M5   | M5   | M6   | M6   | M6   | M10   | M10   | M10   |
| <b>K</b>  | 20   | 22.5 | 25   | 25   | 42.5 | 40   | 45    | 45    | 60    |
| <b>L2</b> | 29.5 | 29.5 | 39.5 | 37.5 | 26.5 | 70.5 | 64    | 64    | 47    |

All dimensions in mm; 1 inch = 25.4 mm

Tolerances according: ISO 2768-m/EN 22768-m

## Filter Input/Output Connector Cross Sections

|                           | -33                | -34                | -35                | -40                | -44                |
|---------------------------|--------------------|--------------------|--------------------|--------------------|--------------------|
| <b>Solid wire</b>         | 16 mm <sup>2</sup> | 35 mm <sup>2</sup> | 50 mm <sup>2</sup> | 95 mm <sup>2</sup> | 10 mm <sup>2</sup> |
| <b>Flex wire</b>          | 10 mm <sup>2</sup> | 25 mm <sup>2</sup> | 50 mm <sup>2</sup> | 95 mm <sup>2</sup> | 6 mm <sup>2</sup>  |
| <b>AWG type wire</b>      | AWG 6              | AWG 2              | AWG 1/0            | AWG 4/0            | AWG 8              |
| <b>Recommended torque</b> | 1.5-1.8 Nm         | 4.0-4.5 Nm         | 7-8 Nm             | 17-20 Nm           | 1.0-1.2 Nm         |

Please visit [www.schaffner.com](http://www.schaffner.com) to find more details on filter connectors.

## Headquarters, Global Innovation and Development

### Switzerland

#### Schaffner Holding AG

Industrie Nord  
 Nordstrasse 11e  
 4542  
 Luterbach  
 +41 32 681 66 26  
[info@schaffner.com](mailto:info@schaffner.com)

## Sales and Application Centers

### China

#### Schaffner EMC Ltd. Shanghai

T20-3 C, No 565 Chuangye Road, Pudong district  
 201201  
 Shanghai  
 +86 2138139500  
[cschina@schaffner.com](mailto:cschina@schaffner.com)

### Finland

#### Schaffner Oy

Sauvonrinne 19 H  
 8500  
 Lohja  
 +358 50 468 7284  
[finlandsales@schaffner.com](mailto:finlandsales@schaffner.com)

### France

#### Schaffner EMC S.A.S.

16-20 Rue Louis Rameau  
 95875  
 Bezons  
 +33 1 34 34 30 60  
[francesales@schaffner.com](mailto:francesales@schaffner.com)

### Germany

#### Schaffner Deutschland GmbH

Schoemperlenstrasse 12B  
 76185  
 Karlsruhe  
 +49 721 56910  
[germanysales@schaffner.com](mailto:germanysales@schaffner.com)

### India

#### Schaffner India Pvt. Ltd

Regus World Trade Centre  
 WTC, 22nd Floor Unit No 2238, Brigade Gateway Campus, 26/1, Dr. Rajkumar Road Malleshwaram (W)  
 560055  
 Bangalore  
 +91 8067935355  
[indiasales@schaffner.com](mailto:indiasales@schaffner.com)

### Italy

#### Schaffner EMC S.r.l.

Via Ticino, 30  
 20900  
 Monza (MB)  
 +39 039 21 41 070  
[italysales@schaffner.com](mailto:italysales@schaffner.com)

### Japan

#### Schaffner EMC K.K.

ISM Sangenjaya 7F  
 1-32-12 Kamiyama, Setagaya-ku  
 154-0011  
 Tokyo  
 +81 3 5712 3650  
[japansales@schaffner.com](mailto:japansales@schaffner.com)

### Singapore

#### Schaffner EMC Pte Ltd.

Blk 3015A Ubi Road 1, #05-09, Kampong Ubi Industrial Estate  
 408705  
 Singapore  
 +65 63773283  
[singaporesales@schaffner.com](mailto:singaporesales@schaffner.com)

### Spain

#### Schaffner EMC España

Calle Caléndula 93, Miniparc III, Edificio E El Soto de Moraleja, Alcobendas  
 28109  
 Madrid  
 +34 917 912 900  
[spainsales@schaffner.com](mailto:spainsales@schaffner.com)

### Sweden

#### Schaffner EMC AB

Östermalmstrorg 1  
 114 42  
 Stockholm  
 +46 8 5050 2425  
[swedensales@schaffner.com](mailto:swedensales@schaffner.com)

### Switzerland

#### Schaffner EMV AG

Industrie Nord  
 Nordstrasse 11e  
 4542  
 Luterbach  
 +41 32 681 66 26  
[switzerlandsales@schaffner.com](mailto:switzerlandsales@schaffner.com)

### Taiwan

#### Schaffner EMV Ltd.

U-Town  
 20 Floor-2, No 97, Section 1, XinTai 5th Road, XiZhi District  
 22175  
 New Taipei City  
 +886 226975500  
[taiwansales@schaffner.com](mailto:taiwansales@schaffner.com)

### Thailand

#### Schaffner EMC Co. Ltd.

Sathorn Square Tower  
 Room 3780, 37FL, 98 North-Sathorn Rd, Silom, Bangrak  
 10500  
 Bangkok  
 +66 621056397  
[thailandsales@schaffner.com](mailto:thailandsales@schaffner.com)

### United Kingdom

#### Schaffner Ltd.

1, Oakmede Place  
 Terrace Road  
 RG42 4JF  
 Binfield  
 +44 118 9770070  
[uksales@schaffner.com](mailto:uksales@schaffner.com)

### United States

#### Schaffner EMC Inc.

52 Mayfield Avenue  
 Edison, New Jersey  
 +1 732 225 9533  
[usasales@schaffner.com](mailto:usasales@schaffner.com)

To find your local partner within Schaffner's global network [schaffner.com](http://schaffner.com)

© 2022 Schaffner Group

The content of this document has been carefully checked and understood. However, neither Schaffner nor its subsidiaries assume any liability whatsoever for any errors or inaccuracies of this document and the consequences thereof. Published specifications are subject to change without notice. Product suitability for any area of application must ultimately be determined by the customer. In all cases, products must never be operated outside their published specifications. Schaffner does not guarantee the availability of all published products. This disclaimer shall be governed by substantive Swiss law and resulting disputes shall be settled by the courts at the place of business of Schaffner Holding AG. Latest publications and a complete disclaimer can be downloaded from the Schaffner website. All trademarks recognized.