

DO NOT SCALE FROM THIS PRINT

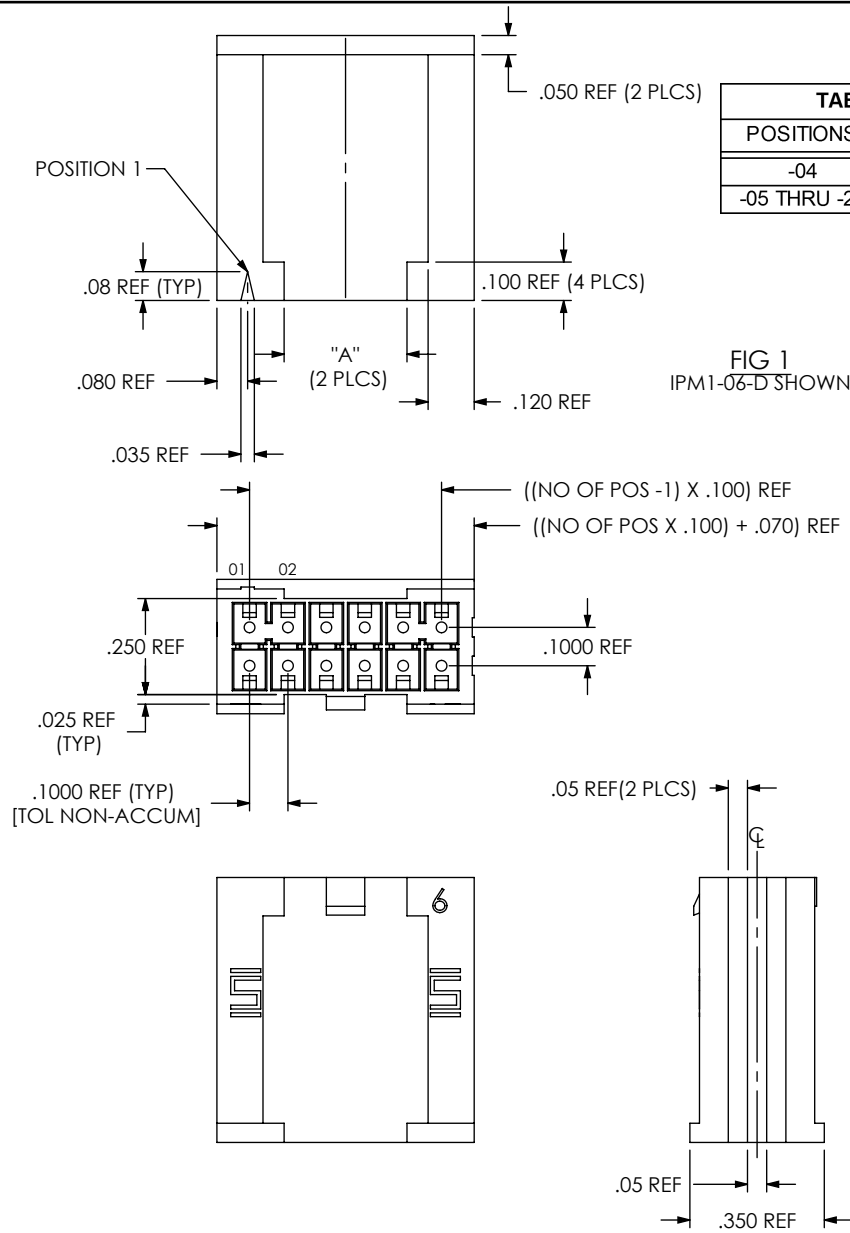


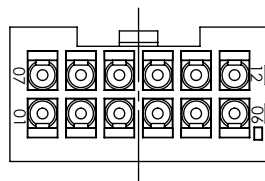
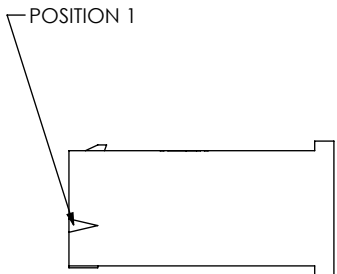
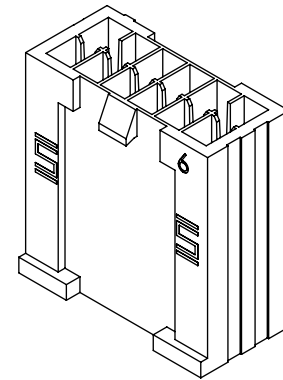
FIG 1  
IPM1-06-D SHOWN

TABLE 1	
POSITIONS	"A"
-04	.220 REF
-05 THRU -25	.320 REF

IPM1-XX-X-XX

No OF POSITIONS  
-02 THRU -25  
(PER ROW)

- OPTIONS  
(LEAVE BLANK FOR NO OPTIONS)  
-GP: GUIDE POST (SEE SHT 4, FIG. 5)  
(ONLY AVAILABLE ON DOUBLE ROW)  
\*-SF: SPLASH FLANGE  
(COLOR: BLACK;  
-03, -04, & -05 TOOLED ONLY;  
NOT AVAILABE WITH -S OR -GP)
- ROW SPECIFICATION  
-D: DOUBLE  
-S: SINGLE (SEE SHT 3, FIG. 2 & 3)



UNLESS OTHERWISE SPECIFIED,  
DIMENSIONS ARE IN INCHES.  
TOLERANCES ARE:  
DECIMALS ANGLES

PROPRIETARY NOTE

THIS DOCUMENT CONTAINS INFORMATION  
CONFIDENTIAL AND PROPRIETARY TO  
SAMTEC, INC. AND SHALL NOT BE REPRODUCED  
OR TRANSFERRED TO OTHER DOCUMENTS OR  
DISCLOSED TO OTHERS OR USED FOR ANY  
PURPOSE OTHER THAN THAT WHICH IT WAS  
OBTAINED WITHOUT THE EXPRESSED WRITTEN  
CONSENT OF SAMTEC, INC.

**samtec**

520 PARK EAST BLVD, NEW ALBANY, IN 47150  
PHONE: 812-944-6733 FAX: 812-948-5047  
e-Mail: info@SAMTEC.com code 55322

MATERIAL: DO NOT SCALE DRAWING SHEET SCALE: 2:1

DESCRIPTION:  
.100 SHROUDED TERMINAL CABLE END

DWG. NO.  
IPM1-XX-X-XX

BY: G PURVIS 07/15/2014 SHEET 1 OF 3

FIG 2  
IPM1-06-S SHOWN  
(DIFFERENT AS SHOWN, OTHERWISE SAME AS FIG 1)

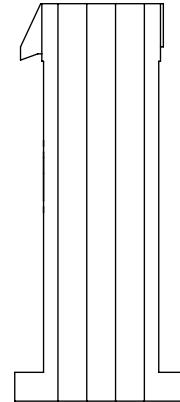
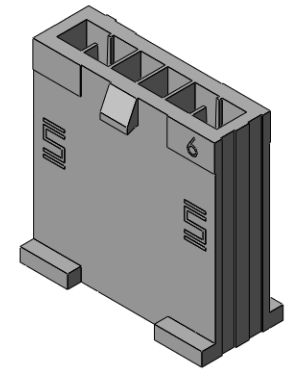
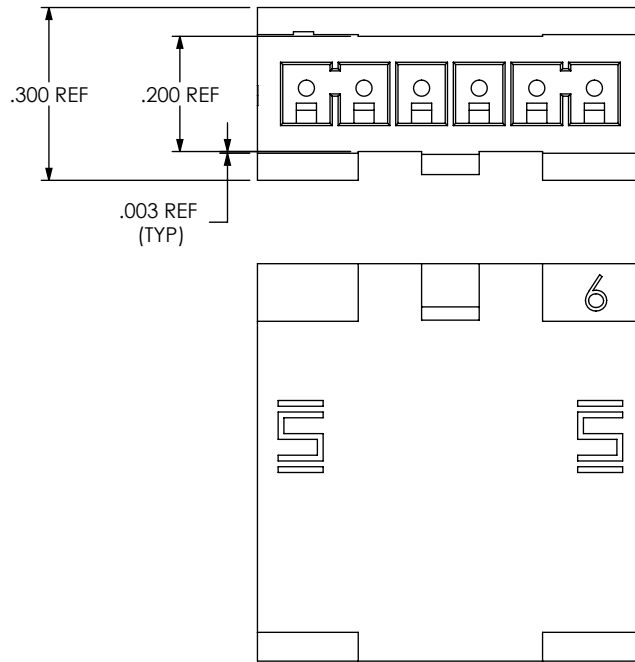


FIG 3  
APPLIES TO -02 & -03 POSITIONS ONLY  
IPM1-02-S SHOWN  
(DIFFERENT AS SHOWN, OTHERWISE SAME AS FIG 2)

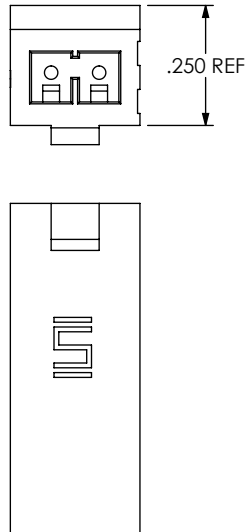
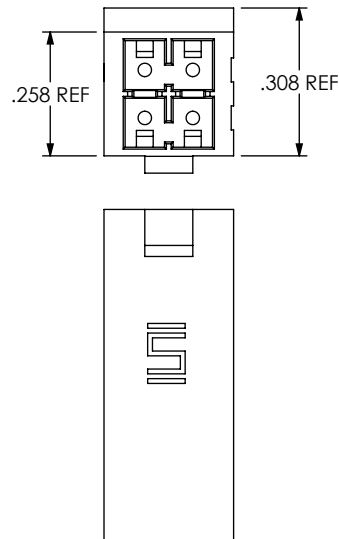


FIG 4  
APPLIES TO -02 & -03 POSITIONS ONLY  
IPM1-02-D SHOWN  
(DIFFERENT AS SHOWN, OTHERWISE SAME AS FIG 1)



F:\DWG\MISC\Mktg\IPM1-XX-X-XX-MKT.SLDDRW

**PROPRIETARY NOTE**  
THIS DOCUMENT CONTAINS INFORMATION  
CONFIDENTIAL AND PROPRIETARY TO  
SAMTEC, INC. AND SHALL NOT BE REPRODUCED  
OR TRANSFERRED TO OTHER DOCUMENTS OR  
DISCLOSED TO OTHERS OR USED FOR ANY  
PURPOSE OTHER THAN THAT WHICH IT WAS  
OBTAINED WITHOUT THE EXPRESSED WRITTEN  
CONSENT OF SAMTEC, INC.

DO NOT SCALE DRAWING

SHEET SCALE: 3:1



520 PARK EAST BLVD, NEW ALBANY, IN 47150  
PHONE: 812-944-6733 FAX: 812-948-5047  
e-Mail info@SAMTEC.com code 55322

DESCRIPTION:  
.100 SHROUDED TERMINAL CABLE END

DWG. NO.  
IPM1-XX-X-XX

BY: G PURVIS 07/15/2014 SHEET 2 OF 3

FIG 5  
 IPM1-06-D-GP SHOWN  
 (SAME AS FIG 1, UNLESS OTHERWISE STATED)  
 (ONLY AVAILABLE ON DOUBLE ROW)

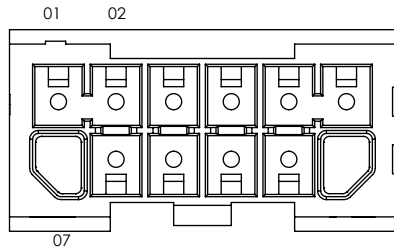
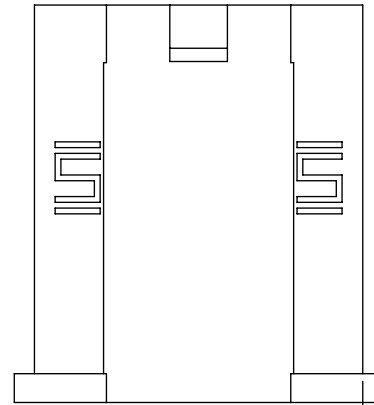
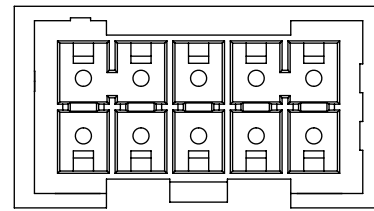
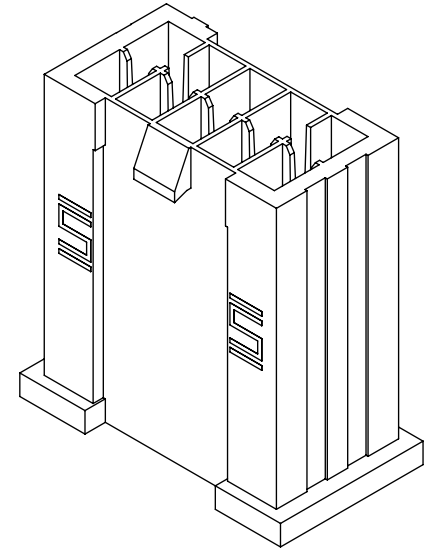


FIG 6  
 \*IPM1-05-D-SF SHOWN  
 (DIFFERENT AS SHOWN, OTHERWISE SAME AS FIG 1)  
 (-03, -04, & -05 TOOLED ONLY, \*NOT RELEASED FOR PRODUCTION)



→ ← .035 REF (2 PLCS)



PROPRIETARY NOTE

THIS DOCUMENT CONTAINS INFORMATION  
 CONFIDENTIAL AND PROPRIETARY TO  
 SAMTEC, INC. AND SHALL NOT BE REPRODUCED  
 OR TRANSFERRED TO OTHER DOCUMENTS OR  
 DISCLOSED TO OTHERS OR USED FOR ANY  
 PURPOSE OTHER THAN THAT WHICH IT WAS  
 OBTAINED WITHOUT THE EXPRESSED WRITTEN  
 CONSENT OF SAMTEC, INC.

**samtec**

520 PARK EAST BLVD, NEW ALBANY, IN 47150  
 PHONE: 812-944-6733 FAX: 812-948-5047  
 e-Mail info@SAMTEC.com code 55322

SHEET SCALE: 3:1

DESCRIPTION:  
 .100 SHROUDED TERMINAL CABLE END

DWG. NO.  
 IPM1-XX-X-XX

BY: G PURVIS 07/15/2014 SHEET 3 OF 3