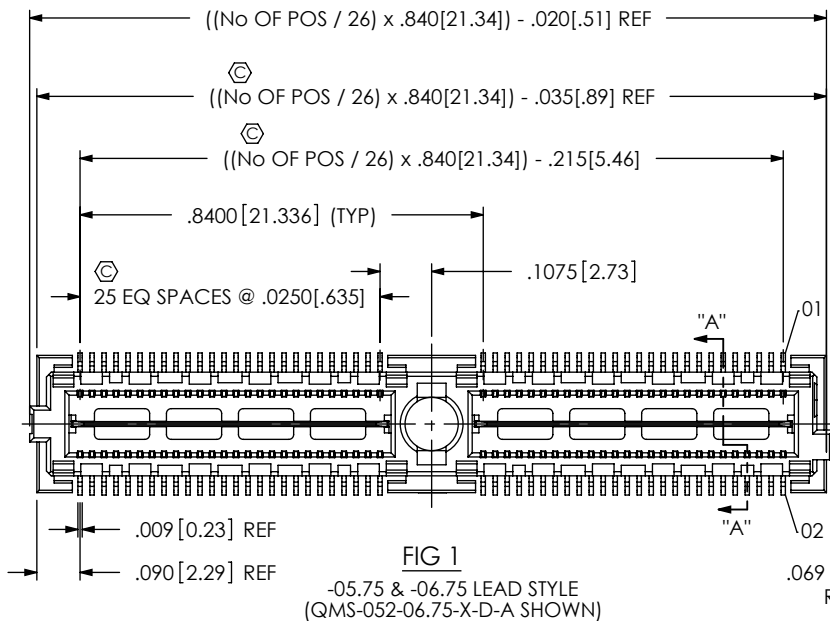


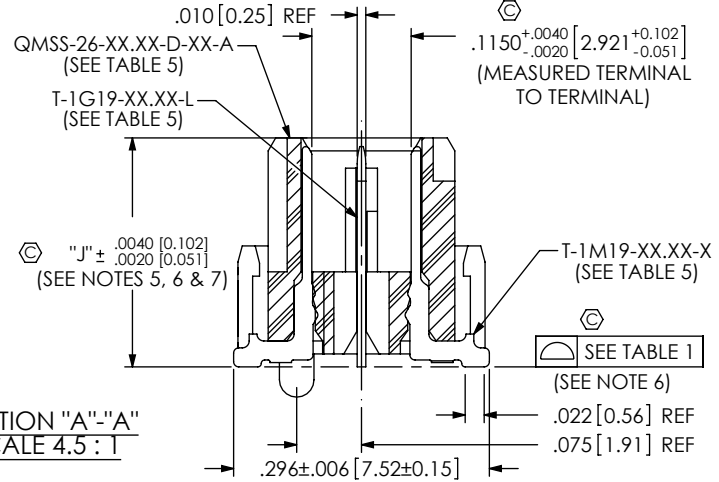
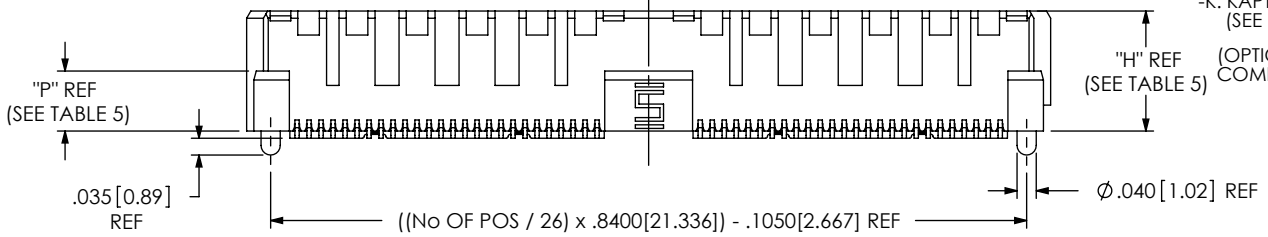
DO NOT SCALE FROM THIS PRINT

QMS-XXX-XX.XX-XX-D-XX-XXX-XX



- No OF POSITIONS**  
-026, -052, -078, -104, \*-130 (PER ROW)  
(SEE NOTE 9)
- LEAD STYLE**  
-05.75 (SEE FIG 1)  
-06.75 (SEE FIG 1)  
\*\*-09.75 (SEE FIG 4, SHEET 3)
- PLATING SPECIFICATION**  
-H: 30μ" GOLD IN CONTACT AREA, 3μ" GOLD ON TAIL. (AVAILABLE ON -05.75 & -06.75 LEAD STYLE ONLY)  
-L: 10μ" GOLD IN CONTACT AREA, MATTE TIN ON TAIL. (AVAILABLE ON -05.75 & -06.75 LEAD STYLE ONLY)  
-S: 30μ" GOLD IN CONTACT AREA, MATTE TIN ON TAIL. (AVAILABLE ON -09.75 LEAD STYLE ONLY)  
-SL: 10μ" GOLD IN CONTACT AREA, MATTE TIN ON TAIL. (AVAILABLE ON -09.75 LEAD STYLE ONLY)
- ROW SPECIFICATION**  
-D: DOUBLE
- OPTION**  
-A: ALIGNMENT PIN (SEE FIG 3, SHEET 2)  
-GP: GUIDE POSTS (SEE FIG 3, SHEET 2) (AVAILABLE ON -05.75 & -06.75 LEAD STYLES ONLY)  
-K: KAPTON PAD (SEE FIG 2, SHEET 2)
- (OPTIONS NOT AVAILABLE IN COMBINATION WITH -PXX OR -RFX)

- PACKAGING OPTION**  
-TR: TAPE & REEL PACKAGING (-026 THRU -078 WITH NO OPTIONS) (-026 & -052 WITH -GP, -PXX, -RF1, -RT1) (-026 WITH RF2)
- END OPTION**  
-PC4: POWER COMBO 4 (.062" THICK BOARD) (SEE FIG 5, SHEET 4)  
-PC8: POWER COMBO 8 (.062" THICK BOARD) (SEE FIG 5, SHEET 4)  
-PT4: POWER COMBO 4 (.093" THICK BOARD) (SEE FIG 5, SHEET 4)  
-PT8: POWER COMBO 8 (.093" THICK BOARD) (SEE FIG 5, SHEET 4)  
-RF1: 1 RF POS PER END (SEE FIG 6, SHEET 5)  
-RF2: 2 RF POS PER END (SEE FIG 7, SHEET 5)  
-RT1: 1 RT POS PER END (SEE FIG 8, SHEET 6)
- (-PXX & -RFX NOT AVAILABLE IN COMBINATION WITH -A, -GP, OR -K) (END OPTION APPLIES TO BOTH ENDS, COMBINATIONS ARE NOT AVAILABLE)**  
**(-PXX & -RFX AVAILABLE IN POS -026, -052, & -078 ONLY)**  
**(-RFX & -RT1 AVAILABLE ON -05.75 LEAD STYLE ONLY)**  
**(-RT1 AVAILABLE IN -026, -052, -078, & -104 POS WITH -A OPTION ONLY)**  
**(-PXX AVAILABLE ON -05.75 & -06.75 LEAD STYLES ONLY)**



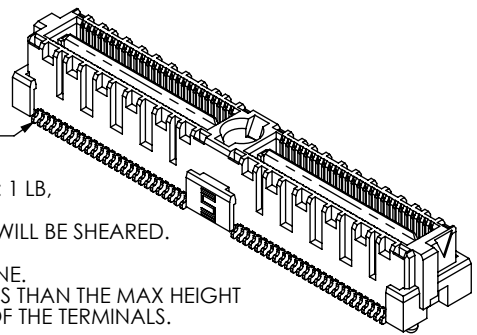
\* = NOT TOOLED  
\*\* = SEE NOTE 10

TABLE 5

LEAD STYLE	"H"	"J"	"P"	QMS BODY	QMS STACKER BODY	TERMINAL	GROUND PLANE	MATED TO QFS-XX-XX
-05.75	.212 [5.38]	.2268 [5.761]	.085 [2.16]	QMSS-26-05.75-D-XX-A	N/A	T-1M19-05.75-XX	T-1G19-05.75-L	QFS-04.25 QFS-06.25
-06.75	.250 [6.35]	.2650 [6.731]	.125 [3.18]	QMSS-26-06.75-D-XX-A	N/A	T-1M19-06.75-XX	T-1G19-06.75-L	QFS-04.25 QFS-06.25
-09.75	.368 [9.35]	.3830 [9.728]	.085 [2.16]	QMSS-26-05.75-D-XX	QTSH-26-01-D-XX-A	T-1M19-09.75-XX	T-1G19-09.75-L	QFS-04.25 QFS-06.25

TABLE 1

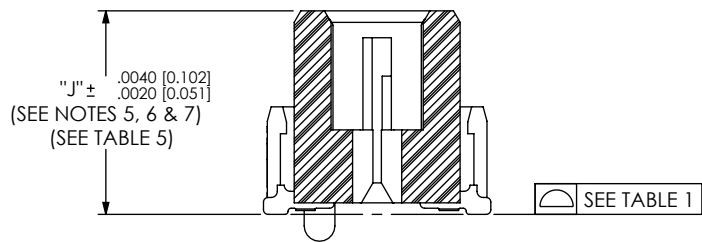
No OF POSITIONS	No OF BANKS	COPLANARITY
-026 AND -054	1 AND 2	.004 [10]
-078 THRU *-130	3 THRU 5	.006 [15]



- NOTES:
- ① REPRESENTS A CRITICAL DIMENSION.
  - BURR ALLOWANCE: .0015 MAX.
  - MINIMUM PUSHOUT FORCE: SIGNAL: .5 LB, GROUND: 1 LB, POWER: .5 LB, RF: .5 LB.
  - ALL TERMINALS ON THE -05.75 & -06.75 LEAD STYLES WILL BE SHEARED.
  - MAX VARIANCE OF .002.
  - DIMENSION APPLIES TO CONTACTS & GROUND PLANE.
  - GROUND PLANE PRESS HEIGHT MUST BE .003 [08] LESS THAN THE MAX HEIGHT OR .001 [03] GREATER THAN THE MINIMUM HEIGHT OF THE TERMINALS.
  - PARTS TO BE PACKAGED IN TRAYS.
  - LEADSTYLES -10 AND -11 MAY BE SUBSTITUTED IN PART CALLOUT FOR -05.75 AND -06.75 ACCORDINGLY FOR EXISTING CUSTOMERS ONLY.
  - FOR NEW APPLICATIONS REQUIRING THIS LEAD STYLE (POSITIONS -078 OR -104 ONLY), PLEASE CONTACT SAMTEC'S INTERCONNECT PROCESSING GROUP.

UNLESS OTHERWISE SPECIFIED, DIMENSIONS ARE IN INCHES. TOLERANCES ARE: DECIMALS ANGLES .XX: ±.01 [.3] 2° .XXX: ±.005 [.13] .XXXX: ±.0020 [.051]	<b>PROPRIETARY NOTE</b> THIS DOCUMENT CONTAINS INFORMATION CONFIDENTIAL AND PROPRIETARY TO SAMTEC, INC. AND SHALL NOT BE REPRODUCED OR TRANSFERRED TO OTHER DOCUMENTS OR DISCLOSED TO OTHERS OR USED FOR ANY PURPOSE OTHER THAN THAT WHICH IT WAS OBTAINED WITHOUT THE EXPRESSED WRITTEN CONSENT OF SAMTEC, INC.	<b>samtec</b> 520 PARK EAST BLVD, NEW ALBANY, IN 47150 PHONE: 812-944-6733 FAX: 812-948-5047 e-Mail: info@SAMTEC.com code: 55322
<b>MATERIAL:</b> DO NOT SCALE DRAWING SHEET SCALE: 1:0.4 INSULATOR: LCP, COLOR: BLACK TERMINAL & GROUND PLANE: PHOS BRONZE	DESCRIPTION: .635mm DOUBLE ROW TERMINAL STRIP DWG. NO. QMS-XXX-XX.XX-XX-D-XX-XXX-XX	BY: E.L.S. 10-12-2010 SHEET 1 OF 6

IN-PROCESS 1



TERMINAL DETAILS

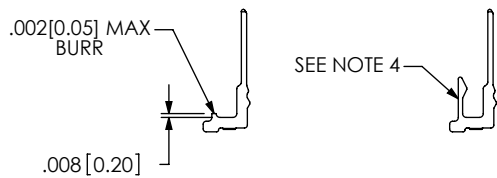


FIG 3

-GP: GUIDE POST OPTION  
(QMS-052-06.75-X-D-A-GP SHOWN)  
(AVAILABLE ON -.05.75 & -.06.75 LEAD STYLES ONLY)

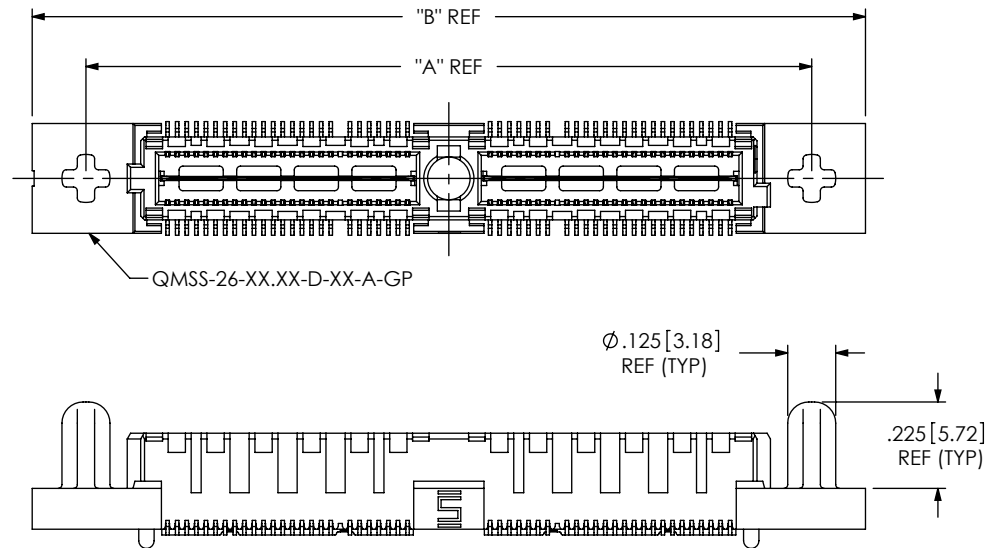


FIG 2

-K: KAPTON PAD OPTION  
(USE K-500-300)  
(USE K-DOT-.217-.313-.005 FOR -GP OPTION, NOT APPROVED FOR VISION INTEGRATED KAPTON APPLICATION)  
(QMS-052-06.75-X-D-A-K SHOWN)

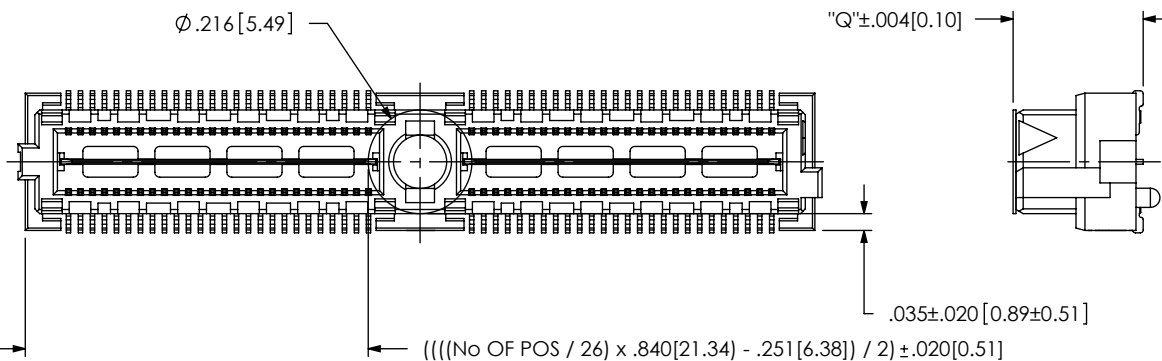
TABLE 9

LEAD STYLE	"Q"
-.05.75	.233 [5.91]
-.06.75	.271 [6.88]
-.09.75	.389 [9.88]

TABLE 2

ASSEMBLY	"A"	"B"
QMS-026-XX-X-D-A-GP	1.050 [26.67]	1.330 [33.78]
QMS-052-XX-X-D-A-GP	1.890 [48.00]	2.170 [55.12]
QMS-078-XX-X-D-A-GP	2.730 [69.34]	3.010 [76.45]
QMS-104-XX-X-D-A-GP	3.570 [90.68]	3.850 [97.79]
* QMS-130-XX-X-D-A-GP	4.410 [112.01]	4.690 [119.13]

**\* NOT TOOLED**



PROPRIETARY NOTE

THIS DOCUMENT CONTAINS INFORMATION CONFIDENTIAL AND PROPRIETARY TO SAMTEC, INC. AND SHALL NOT BE REPRODUCED OR TRANSFERRED TO OTHER DOCUMENTS OR DISCLOSED TO OTHERS OR USED FOR ANY PURPOSE OTHER THAN THAT WHICH IT WAS OBTAINED WITHOUT THE EXPRESSED WRITTEN CONSENT OF SAMTEC, INC.

DO NOT SCALE DRAWING

SHEET SCALE: 1:0.4



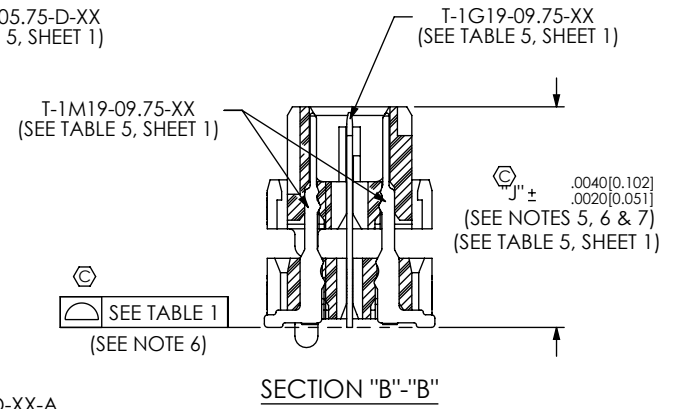
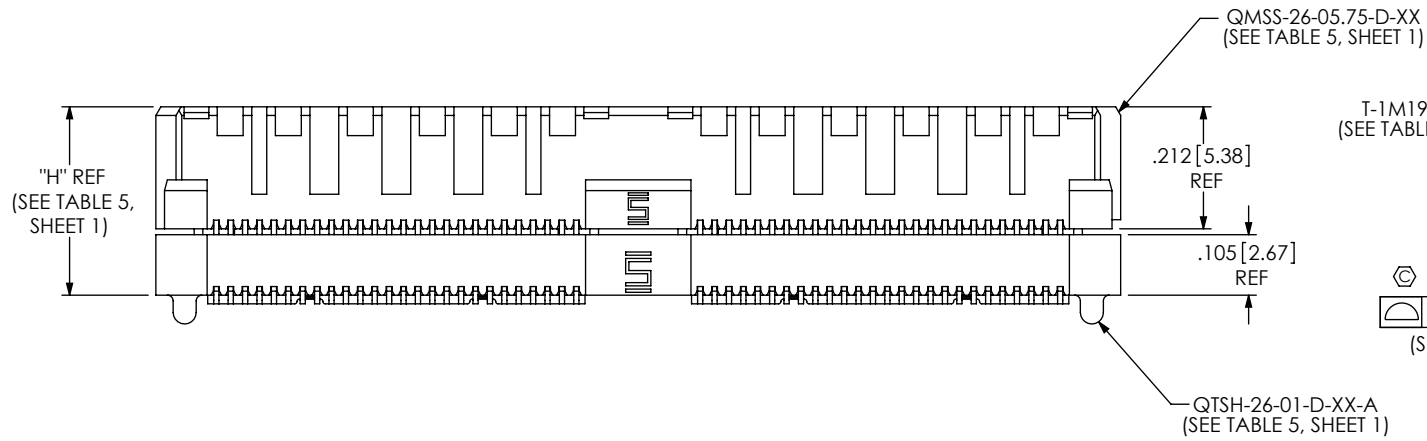
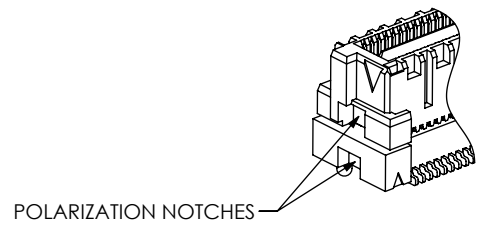
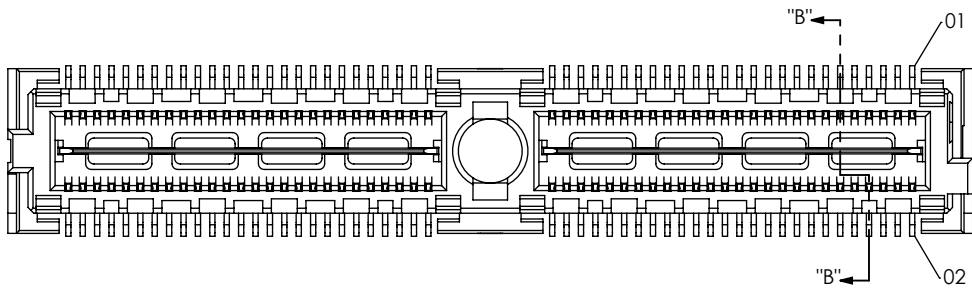
520 PARK EAST BLVD, NEW ALBANY, IN 47150  
PHONE: 812-944-6733 FAX: 812-948-5047  
e-Mail: info@SAMTEC.com code: 55322

DESCRIPTION:  
.635mm DOUBLE ROW TERMINAL STRIP

DWG. NO.  
QMS-XXX-XX.XX-XX-D-XX-XXX-XX

BY: E.L.S. 10-12-2010 SHEET 2 OF 6

FIG 4  
 -09.75 LEAD STYLE  
 (QMS-052-09.75-X-D-A SHOWN)  
 (SAME AS FIG 1, EXCEPT AS SHOWN)



<p><b>PROPRIETARY NOTE</b>                  THIS DOCUMENT CONTAINS INFORMATION CONFIDENTIAL AND PROPRIETARY TO SAMTEC, INC. AND SHALL NOT BE REPRODUCED OR TRANSFERRED TO OTHER DOCUMENTS OR DISCLOSED TO OTHERS OR USED FOR ANY PURPOSE OTHER THAN THAT WHICH IT WAS OBTAINED WITHOUT THE EXPRESSED WRITTEN CONSENT OF SAMTEC, INC.</p> <p>DO NOT SCALE DRAWING</p> <p>SHEET SCALE: 3:1</p>		
	<p>520 PARK EAST BLVD, NEW ALBANY, IN 47150                  PHONE: 812-944-6733 FAX: 812-948-5047                  e-Mail: info@SAMTEC.com code: 55322</p>	
	<p>DESCRIPTION:                  .635mm DOUBLE ROW TERMINAL STRIP</p>	
	<p>DWG. NO.                  QMS-XXX-XX.XX-XX-D-XX-XXX-XX</p>	
<p>BY: E.L.S.</p>	<p>10-12-2010</p>	<p>SHEET 3 OF 6</p>

FIG 5 -PXX OPTION  
 POWER COMBO OPTIONS  
 QMS-052-06.75-X-D-PC4 SHOWN  
 (SAME AS FIG 1, UNLESS OTHERWISE STATED)  
 [NOT AVAILABLE WITH -A, -GP OR -K OPTION, AVAILABLE ON LEAD STYLES -05.75 & -06.75 ONLY]  
 (AVAILABLE ON -026, -052 & -078 POSITIONS ONLY)

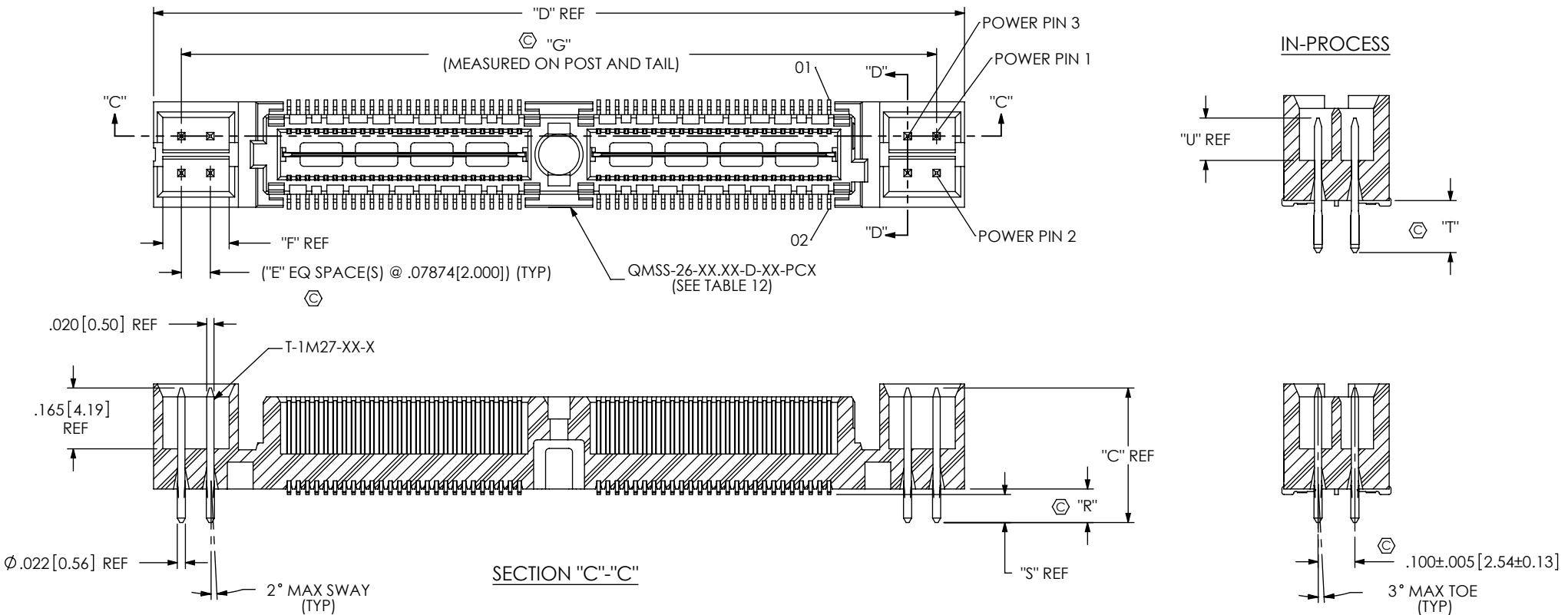


TABLE 10

ASSEMBLY	"D"	"E"	"F"	"G"
QMS-026-XX.XX-X-D-X-PX4	1.360[34.54]	1	.180[4.57]	1.209[30.71]
QMS-026-XX.XX-X-D-X-PX8	1.675[42.55]	3	.337[8.56]	1.524[38.71]
QMS-052-XX.XX-X-D-X-PX4	2.200[55.88]	1	.180[4.57]	2.049[52.04]
QMS-052-XX.XX-X-D-X-PX8	2.515[63.88]	3	.337[8.56]	2.364[60.05]
QMS-078-XX.XX-X-D-X-PX4	3.040[77.22]	1	.180[4.57]	2.889[73.38]
QMS-078-XX.XX-X-D-X-PX8	3.355[85.22]	3	.337[8.56]	3.204[81.38]

TABLE 12

LEAD STYLE	POWER OPTION	BODY
-06.75	PX4	QMS-26-06.75-D-XX-PC4
-06.75	PX8	QMS-26-06.75-D-XX-PC8
-05.75	PX4	QMS-26-05.75-D-XX-PC4
-05.75	PX8	QMS-26-05.75-D-XX-PC8

TABLE 11

LEAD STYLE	POWER OPTION	TERMINAL	"C"	"R"	"S"	"T"	"U"
-06.75	PCX	T-1M27-01-S	.365[9.27]	.091[2.31]	.076[1.93]	.132[3.35]	.124[3.15]
-06.75	PTX	T-1M27-03-S	.400[10.16]	.126[3.20]	.111[2.82]	.132[3.35]	.159[4.04]
-05.75	PCX	T-1M27-02-S	.326[8.28]	.086[2.18]	.071[1.80]	.172[4.37]	.079[2.01]
-05.75	PTX	T-1M27-01-S	.365[9.27]	.125[3.18]	.110[2.79]	.172[4.37]	.118[3.00]

PROPRIETARY NOTE  
 THIS DOCUMENT CONTAINS INFORMATION CONFIDENTIAL AND PROPRIETARY TO SAMTEC, INC. AND SHALL NOT BE REPRODUCED OR TRANSFERRED TO OTHER DOCUMENTS OR DISCLOSED TO OTHERS OR USED FOR ANY PURPOSE OTHER THAN THAT WHICH IT WAS OBTAINED WITHOUT THE EXPRESSED WRITTEN CONSENT OF SAMTEC, INC.

DO NOT SCALE DRAWING  
 SHEET SCALE: 1:0.4

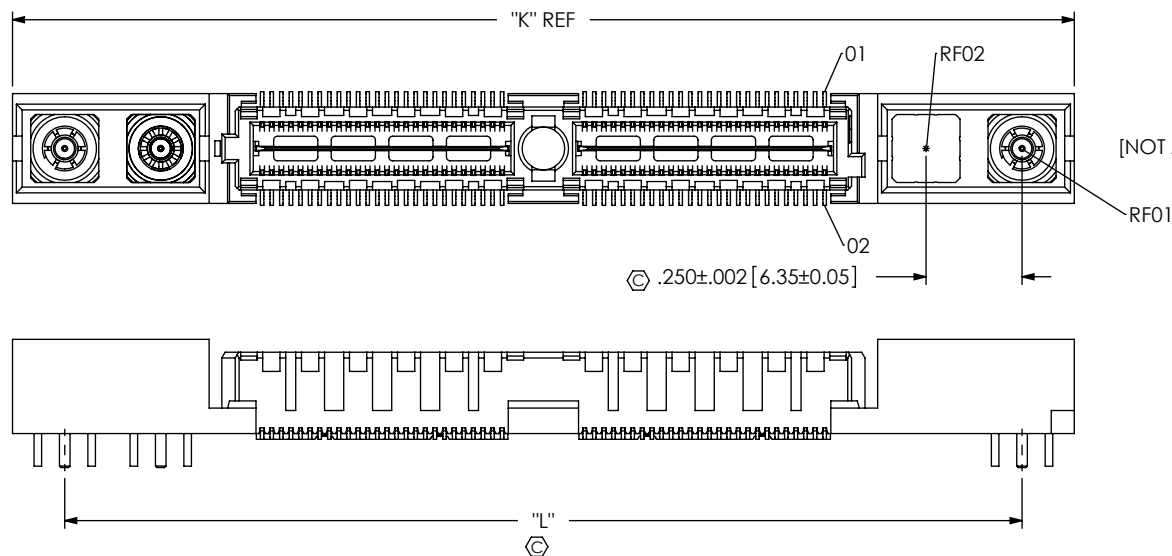
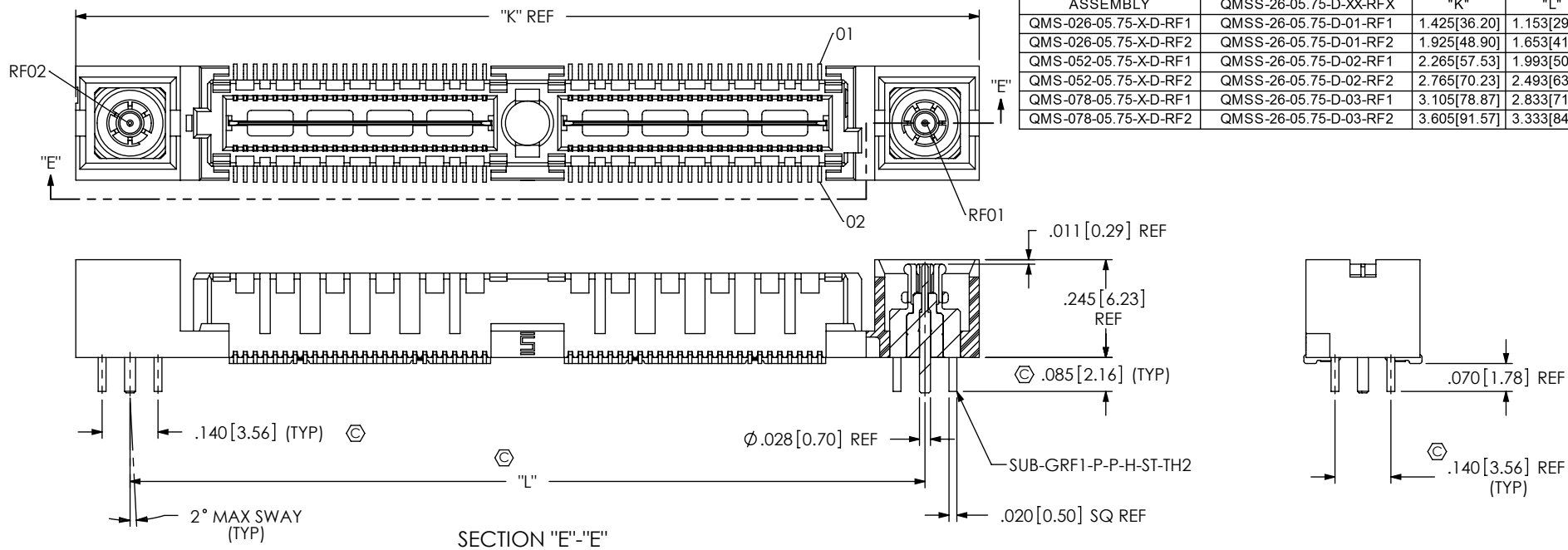


520 PARK EAST BLVD, NEW ALBANY, IN 47150  
 PHONE: 812-944-6733 FAX: 812-948-5047  
 e-Mail: info@SAMTEC.com code: 55322

DESCRIPTION:  
 .635mm DOUBLE ROW TERMINAL STRIP  
 DWG. NO.  
**QMS-XXX-XX.XX-XX-D-XX-XXX-XX**  
 BY: E.L.S. 10-12-2010 SHEET 4 OF 6

**FIG 6 -RF1 OPTION**  
 QMS-052-05.75-X-D-RF1 SHOWN  
 (SAME AS FIG 1, UNLESS OTHERWISE STATED)  
 [NOT AVAILABLE WITH -A OR -GP OPTION, AVAILABLE ON LEAD STYLE -05.75 ONLY]  
 (AVAILABLE ON -026, -052 & -078 POSITIONS ONLY)

TABLE 7			
ASSEMBLY	QMS-26-05.75-D-XX-RFX	"K"	"L"
QMS-026-05.75-X-D-RF1	QMS-26-05.75-D-01-RF1	1.425[36.20]	1.153[29.29]
QMS-026-05.75-X-D-RF2	QMS-26-05.75-D-01-RF2	1.925[48.90]	1.653[41.99]
QMS-052-05.75-X-D-RF1	QMS-26-05.75-D-02-RF1	2.265[57.53]	1.993[50.62]
QMS-052-05.75-X-D-RF2	QMS-26-05.75-D-02-RF2	2.765[70.23]	2.493[63.32]
QMS-078-05.75-X-D-RF1	QMS-26-05.75-D-03-RF1	3.105[78.87]	2.833[71.96]
QMS-078-05.75-X-D-RF2	QMS-26-05.75-D-03-RF2	3.605[91.57]	3.333[84.66]



**FIG 7 -RF2 OPTION**  
 QMS-052-05.75-X-D-RF2 SHOWN  
 (SAME AS FIG 6, UNLESS OTHERWISE STATED)  
 [NOT AVAILABLE WITH -A OR -GP OPTION, AVAILABLE ON LEAD STYLE -05.75 ONLY]  
 (AVAILABLE ON -026, -052 & -078 POSITIONS ONLY)

**PROPRIETARY NOTE**  
 THIS DOCUMENT CONTAINS INFORMATION CONFIDENTIAL AND PROPRIETARY TO SAMTEC, INC. AND SHALL NOT BE REPRODUCED OR TRANSFERRED TO OTHER DOCUMENTS OR DISCLOSED TO OTHERS OR USED FOR ANY PURPOSE OTHER THAN THAT WHICH IT WAS OBTAINED WITHOUT THE EXPRESSED WRITTEN CONSENT OF SAMTEC, INC.

DO NOT SCALE DRAWING

SHEET SCALE: 1:0.4



520 PARK EAST BLVD, NEW ALBANY, IN 47150  
 PHONE: 812-944-6733 FAX: 812-948-5047  
 e-Mail: info@SAMTEC.com code: 55322

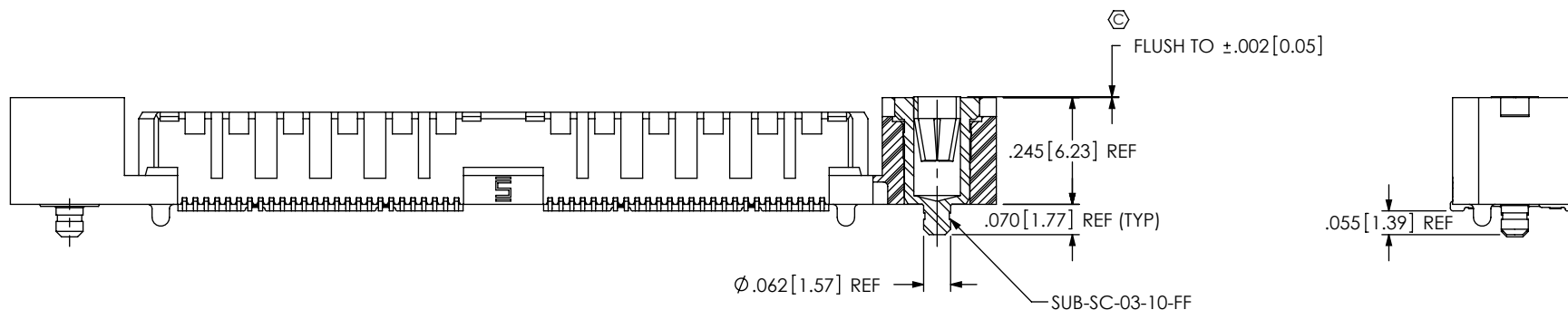
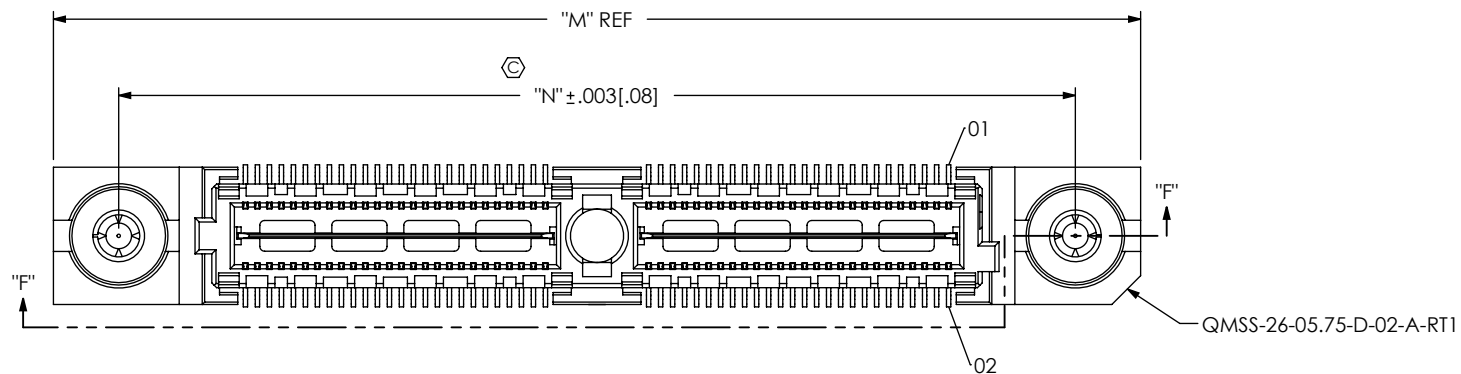
DESCRIPTION:  
 .635mm DOUBLE ROW TERMINAL STRIP

DWG. NO.  
 QMS-XXX-XX.XX-XX-D-XX-XXX-XX

BY: E.L.S. 10-12-2010 SHEET 5 OF 6

FIG 8  
 -RT1 OPTION  
 QMS-052-05.75-X-D-A-RT1 SHOWN  
 (SAME AS FIG 1, UNLESS OTHERWISE STATED)  
 [NOT AVAILABLE WITH -GP, -PCX OR -RFX OPTION, AVAILABLE ON LEAD STYLE -05.75 ONLY]  
 (AVAILABLE ON -026, -052, -078, & -104 POSITIONS WITH -A OPTION ONLY)

TABLE 8			
ASSEMBLY	QMS-26-05.75-D-XX-A-RTX	"M"	"N"
QMS-026-05.75-X-D-A-RT1	QMS-26-05.75-D-01-A-RT1	1.425[36.20]	1.153[29.29]
QMS-052-05.75-X-D-A-RT1	QMS-26-05.75-D-02-A-RT1	2.265[57.53]	1.993[50.62]
QMS-078-05.75-X-D-A-RT1	QMS-26-05.75-D-03-A-RT1	3.105[78.87]	2.833[71.96]
QMS-104-05.75-X-D-A-RT1	QMS-26-05.75-D-04-A-RT1	3.945[100.20]	3.673[93.29]



SECTION "F"-"F"

<p>PROPRIETARY NOTE</p> <p>THIS DOCUMENT CONTAINS INFORMATION CONFIDENTIAL AND PROPRIETARY TO SAMTEC, INC. AND SHALL NOT BE REPRODUCED OR TRANSFERRED TO OTHER DOCUMENTS OR DISCLOSED TO OTHERS OR USED FOR ANY PURPOSE OTHER THAN THAT WHICH IT WAS OBTAINED WITHOUT THE EXPRESSED WRITTEN CONSENT OF SAMTEC, INC.</p> <p>DO NOT SCALE DRAWING</p> <p>SHEET SCALE: 1:0.4</p>		
	<p>520 PARK EAST BLVD, NEW ALBANY, IN 47150                  PHONE: 812-944-6733 FAX: 812-948-5047                  e-Mail: info@SAMTEC.com code: 55322</p>	
<p>DESCRIPTION:                  .635mm DOUBLE ROW TERMINAL STRIP</p>		
<p>DWG. NO.                  QMS-XXX-XX.XX-XX-D-XX-XXX-XX</p>		
<p>BY: E.L.S.</p>	<p>10-12-2010</p>	<p>SHEET 6 OF 6</p>