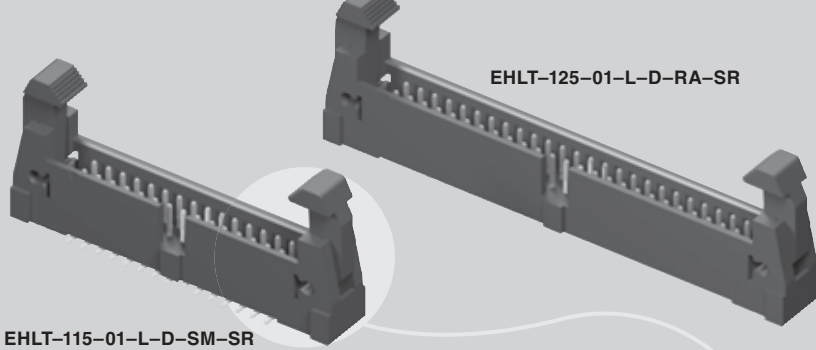




(2,00 mm) .0787"

EHLT SERIES



SHROUDED IDC EJECTOR HEADER

SPECIFICATIONS

For complete specifications and recommended PCB layouts see www.samtec.com?EHLT

Insulator Material: Black Liquid Crystal Polymer



Terminal Material: Phosphor Bronze

Plating: Sn or Au over 50µ" (1,27 µm) Ni

Current Rating: 3A per contact @ 80°C ambient

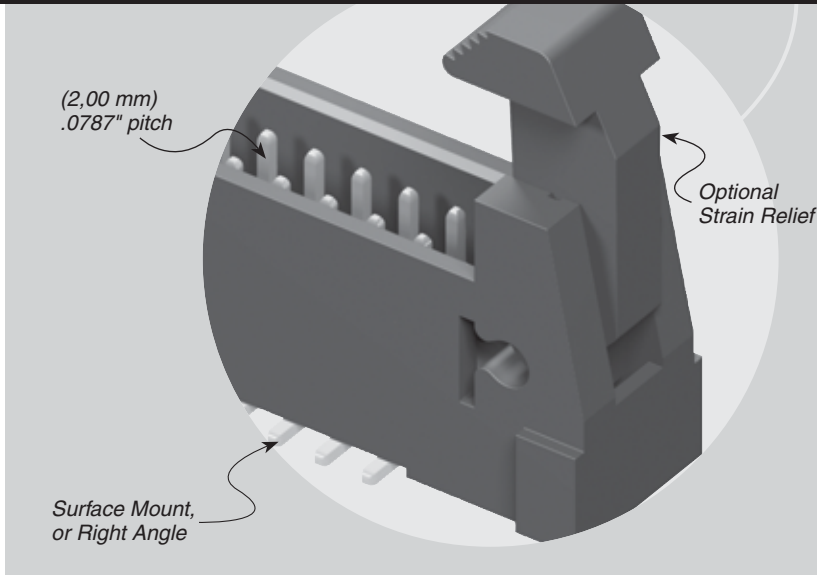
Operating Temp Range: -55°C to +125°C

RoHS Compliant: Yes

Processing: Lead-Free Solderable: Yes

SMT Lead Coplanarity: (0,10 mm) .004" max

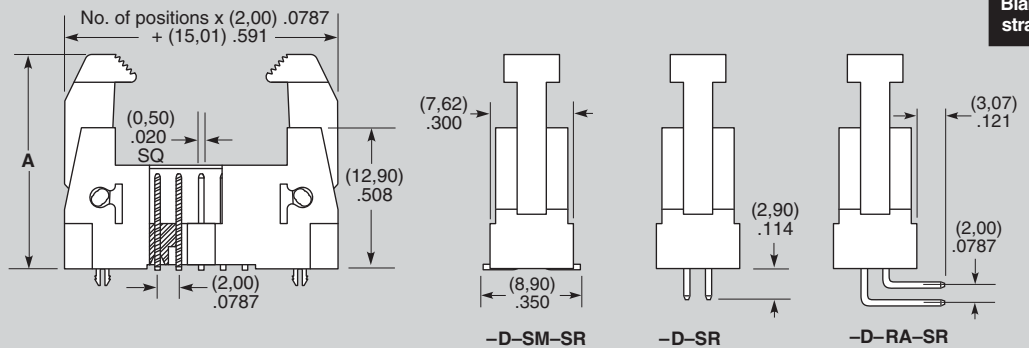
Mates with: TLS D



EHLT	1	NO. PINS PER ROW	01	PLATING OPTION	D	TAIL OPTION	OTHER OPTION
		05, 08, 10, 12, 13, 15, 17, 20, 22, 25			-L = 10µ" (0,25 µm) Gold on post, Matte Tin on tail	Leave blank for Through-hole -RA = Right Angle -SM = Surface Mount	-“XX” = Polarized Position -LC = Locking Clip (-SM only) (Manual placement required) -SR = Strain Relief (Leave blank for no strain relief)

Note: Other Gold plating options available. Contact Samtec.

OPTION	A
WITH -SR	(19,60) .772
WITHOUT -SR	(15,93) .627



Note: Some lengths, styles and options are non-standard, non-returnable.

Due to technical progress, all designs, specifications and components are subject to change without notice.

WWW.SAMTEC.COM