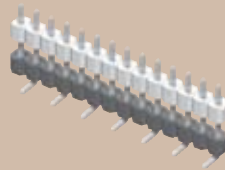




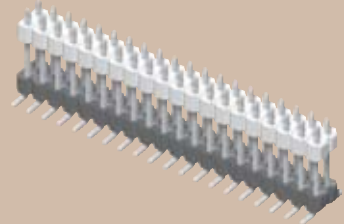
(2,54mm) .100"

HW SERIES

HW-14-08-G-S-350-SM



HW-20-15-G-D-475-SM



FLEXIBLE .025" SQ BOARD STACKERS

Mates with:
SSW, SSQ, ESW, ESQ,
CES, SLW, BSW, BCS,
SSM, IDSS, IDSD, HLE,
PHF, SMSD, SMSS

SPECIFICATIONS

For complete specifications and recommended PCB layouts see www.samtec.com?HW-SM

Insulator Material:

Top: Natural LCP

Bottom: Black LCP

Terminal Material:

Phosphor Bronze

Plating:

Au or Sn over

50µ" (1,27µm) Ni

Current Rating:

3A @ 80°C ambient

Operating Temp Range:

-55°C to +125°C with Gold

-55°C to +105°C with Tin

RoHS Compliant:

Yes

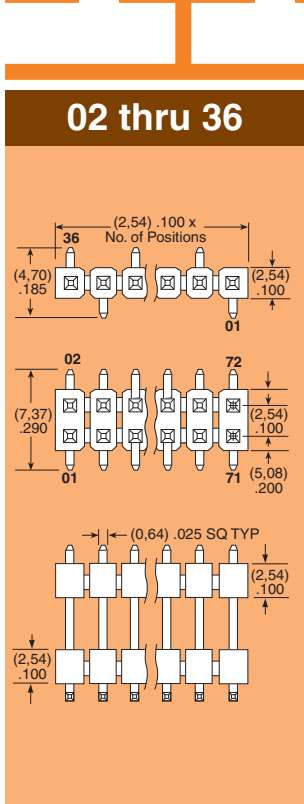
Processing:

Lead-Free Solderable:

Yes

SMT Lead Coplanarity:

(0,15mm) .006" max



Specify LEAD STYLE from chart

LEAD STYLE	OAL (SMT)
-08	(11,81) .465
-09	(16,89) .665
-10	(19,43) .765
-11	(21,97) .865
-12	(24,51) .965
-15	(14,35) .565
-16	(9,65) .380
-17	(10,54) .415
-20	(27,05) 1.065

APPLICATION SPECIFIC OPTION

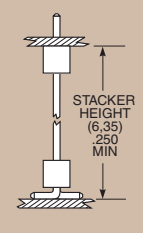
Locking Clip (Manual placement required) available with double row -SM. Call Samtec.

Note: These Series are non-standard, non-returnable.

- S = Single Row

- D = Double Row

- "XXX" = Stacker Height



- "XX" = Polarized
Specify omitted pin position

- A = Alignment Pin
Double row only (Metal or plastic at Samtec discretion)

- TR = Tape & Reel Packaging (27 positions Max.) (Not Available on Lead Styles 10, 11, 12 & 20)

- F = Gold flash on contact, Matte Tin on tail

- L = 10µ" (0,25µm) Gold on contact area of longer tail, Matte Tin on tail

- G = 10µ" (0,25µm) Gold on contact area of longer tail, Gold flash on balance

- T = Matte Tin

Note: Other Gold plating options available. Contact Samtec.

Due to technical progress, all designs, specifications and components are subject to change without notice.