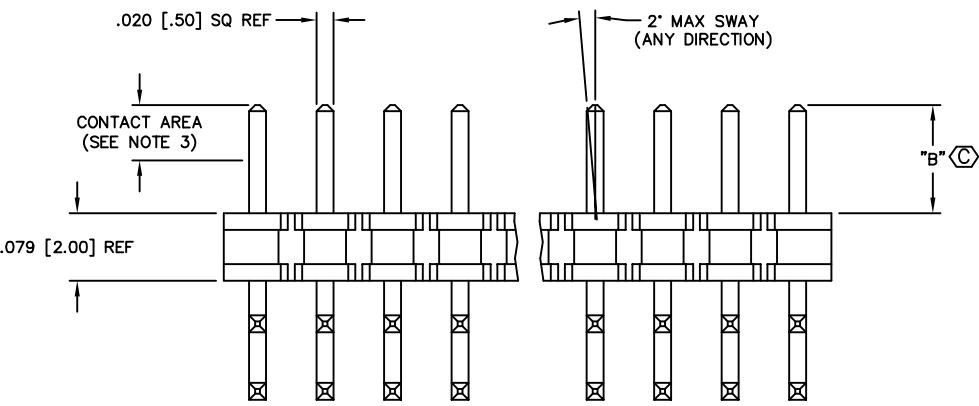
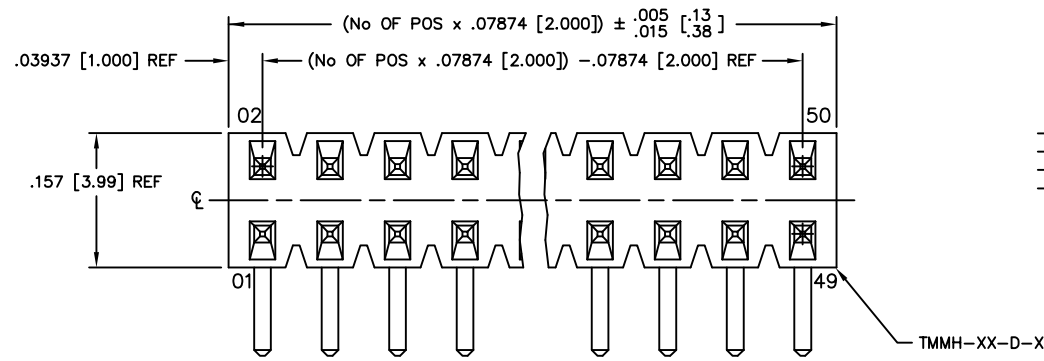


TABLE 1						
STYLE	TAIL/OPTION	"A"	"B"	TERMINAL #1	TERMINAL #2	TERMINAL #3
-01	-RA	.103 [2.62]	.126 [3.20]	T-1S13-02-XX-2	T-1S13-03-XX-2	T-1S13-17-XX-2
-01	-FC	.139 [3.53]	.126 [3.20]	T-1S13-19-XX-2	T-1S13-22-XX-2	N/A
-01	RA W/END SHROUD	.139 [3.53]	.126 [3.20]	T-1S13-19-XX-2	T-1S13-22-XX-2	N/A
-01	*-FE	.287 [7.29]	.126 [3.20]	T-1S13-22-XX-2	T-1S13-28-XX-2	N/A
-04	-RA	.100 [2.54]	.075 [1.91]	T-1S13-20-XX-2	T-1S13-08-XX-2	N/A
-04	-FC	.150 [3.81]	.075 [1.91]	T-1S13-02-XX-2	T-1S13-03-XX-2	N/A
-04	RA W/END SHROUD	.150 [3.81]	.075 [1.91]	T-1S13-02-XX-2	T-1S13-03-XX-2	N/A
-05	-RA	.090 [2.29]	.065 [1.65]	T-1S13-07-XX-2	T-1S13-13-XX-2	N/A
-05	-FC	.160 [4.06]	.065 [1.65]	T-1S13-02-XX-2	T-1S13-03-XX-2	N/A
-05	RA W/END SHROUD	.160 [4.06]	.065 [1.65]	T-1S13-02-XX-2	T-1S13-03-XX-2	N/A



**TMMH-1XX-XX-XX-X-XX-XX-XXX**

**No OF POSITIONS**  
-02 THRU -50 (PER ROW)

**LEAD STYLE**  
-01: .126 [3.20]  
-04: .075 [1.91]  
-05: .065 [1.65] MIN (SEE TABLE 1)

**POLARIZATION**  
SPECIFY POS -XXX TO BE OMITTED

**SHROUD OPTION: (AVAILABLE ON -D ROW OPTION ONLY)**  
-ES: END SHROUDS (SEE FIG. 2- SHT 2, 9 POS MIN) (NOT AVAILABLE WITH -FC TAIL OPTION)  
-EP: GUIDE POST (SEE FIG. 4- SHT 2, 9 POS MIN) (NOT AVAILABLE WITH -FC TAIL OPTION)  
-EL: BOARD LOCK (SEE FIG. 3- SHT 2, 9 POS MIN) (NOT AVAILABLE WITH -FC TAIL OPTION)

**TAIL OPTION**  
-RA: RIGHT ANGLE  
-FC: FLEX CARD (RIGHT ANGLE; -D ROW OPTION ONLY).  
-FE: ELEVATED FLEX CARD (RIGHT ANGLE; -D ROW OPTION ONLY).

**ROW OPTION**  
-D: DOUBLE (USE TMMH-XX-D-X)  
-T: TRIPLE (USE TMMH-XX-T-X) (AVAILABLE WITH -01 LEAD STYLE ONLY.)

**PLATING SPECIFICATION**  
-L: LIGHT SELECTIVE GOLD (USE T-1S13-XX-L-2)  
-F: FLASH GOLD (USE T-1S13-XX-F-2)  
-S: SELECTIVE GOLD (USE T-1S13-XX-S-2)  
-G: GOLD (USE T-1S13-XX-G-2)  
-T: TIN (USE T-1S13-XX-T-2)  
-H: HEAVY GOLD (USE T-1S13-XX-H-2)  
-TM: MATTE TIN (USE T-1S13-XX-T-2)  
-LM: LIGHT SELECTIVE GOLD/MATTE TIN TAIL (USE T-1S13-XX-L-2)  
-FM: FLASH GOLD/MATTE TIN TAIL (USE T-1S13-XX-F-2)  
-SM: SELECTIVE GOLD/MATTE TIN TAIL (USE T-1S13-XX-S-2)

\* = TAIL OPTION TO BE USED ON RIGHT ANGLE ONLY

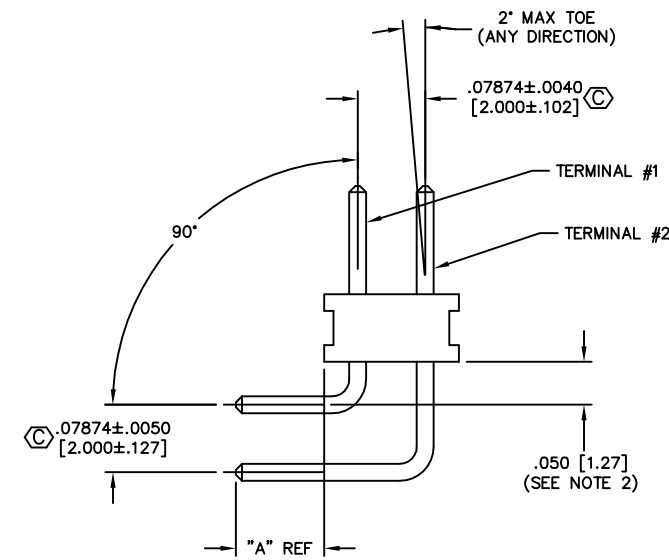


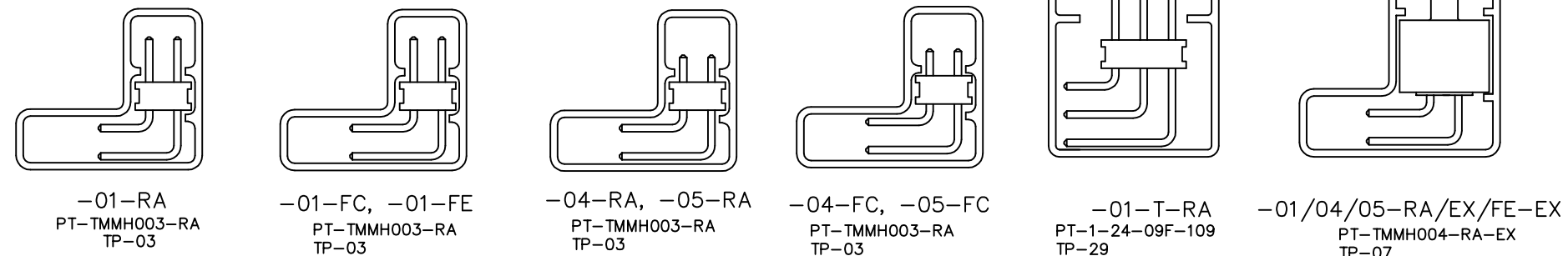
FIG 1

- NOTES:
1. PARTS MAY BE CUT TO POSITION.
  2. MEASURED AT BEND RADIUS, NOT AT END OF PIN.
  3. GOLD PLATING TO BE ON POST, TIN PLATING ON TAIL.
  4. Ⓢ REPRESENTS A CRITICAL DIMENSION.
  5. MINIMUM PUSHOUT FORCE: 1.0 LB.
  6. NOTE DELETED.
  7. MAX CUT FLASH TO BE .020.

PACKAGING VIEW

\* ONLY TUBE POSITIONS -05 THROUGH -50

SCALE: .5x



**PROPRIETARY NOTE**  
THIS DOCUMENT CONTAINS INFORMATION CONFIDENTIAL AND PROPRIETARY TO SAMTEC INC. AND SHALL NOT BE REPRODUCED OR TRANSMITTED TO OTHER DOCUMENTS OR DISCLOSED TO OTHERS OR USED FOR ANY PURPOSE OTHER THAN THAT FOR WHICH IT WAS OBTAINED WITHOUT THE EXPRESSED WRITTEN CONSENT OF SAMTEC INC.



520 PARK EAST BLVD. NEW ALBANY, INDIANA 47150  
PHONE (812) 944-6733 P.O. BOX 1147  
CODE 55322