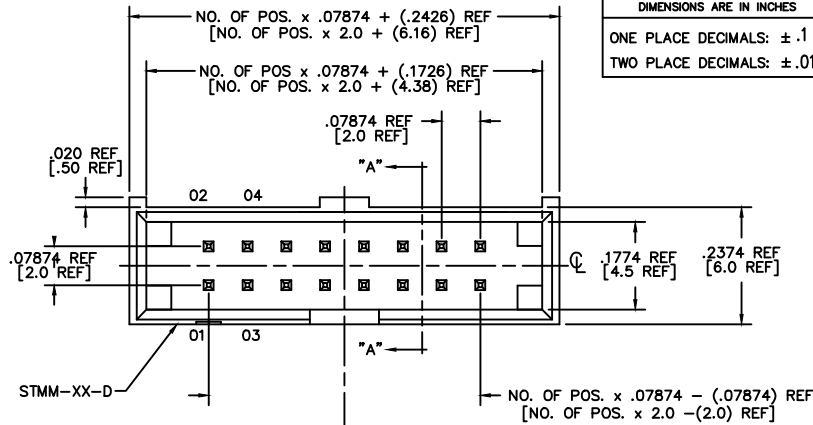


DIMENSIONS ARE IN INCHES		UNLESS OTHERWISE NOTED	TOLERANCES ARE:
ONE PLACE DECIMALS: ±.1 [3]	THREE PLACE DECIMALS: ±.005 [13]	ANGLES	± 1°
TWO PLACE DECIMALS: ±.01 [.3]	FOUR PLACE DECIMALS: ±.0020 [51]		

TITLE:	DWG NO:
ZSTMM ASSEMBLY	ZSTMM-1XX-XX-XX-D-XXX-XX
	SHEET 1 OF 2



ZSTMM-1XX-XX-XX-D-XXX-XX

NO. OF POSITIONS
03, 04, 05, 06, 07, 08, 10, 11,
12, 13, 15, 16, 17, 19, 20, 22, 25

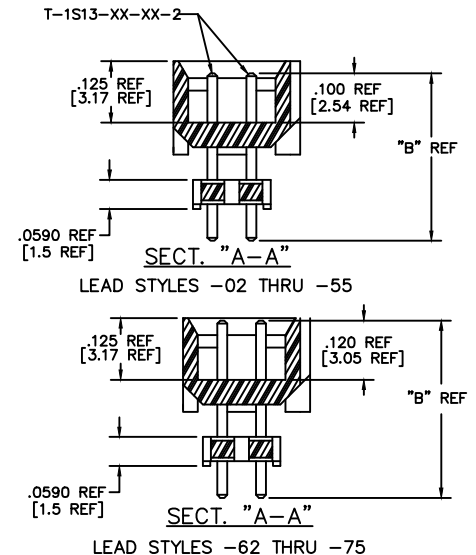
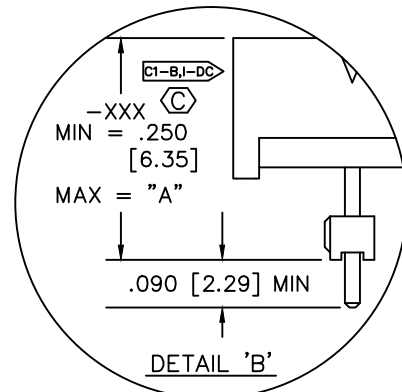
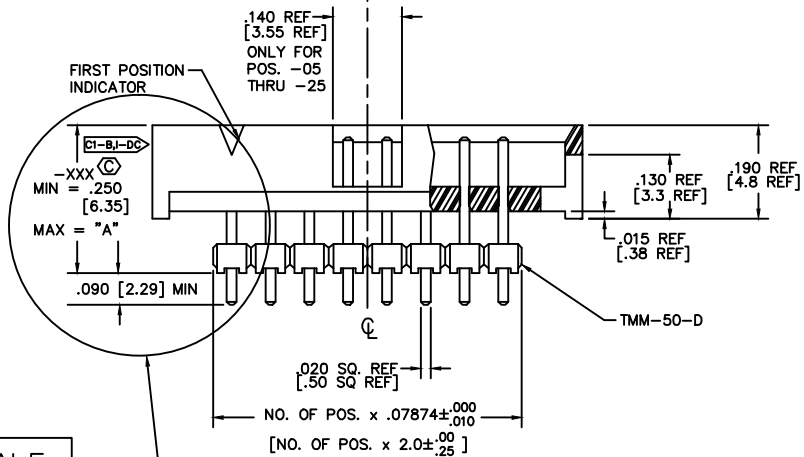
POLARIZED OPTION
XX = PIN NO. TO BE OMITTED

BODY HEIGHT
-XXX
MIN = .250 [6.35]
MAX = "A" (SEE TABLE 1)

TERMINAL STYLE
LEAD STYLES -02 THRU -55 ARE STANDARD (.100 POST HEIGHT), LEAD STYLES -62 THRU -75 ARE FOR MATING WITH TCSD ONLY (.120 [3.05] POST). (SEE TABLE 1)

ROW SPECIFICATION
-D: DOUBLE

PLATING SPECIFICATIONS
-G: 10μ" GOLD IN CONTACT AREA, 10μ" GOLD ON TAIL
-T: MATTE TIN CONTACT AND TAIL
-S: 30μ" SELECTIVE GOLD IN CONTACT AREA, MATTE TIN ON TAIL
-F: 3μ" SELECTIVE GOLD IN CONTACT AREA, MATTE TIN ON TAIL
-H: 30μ" GOLD IN CONTACT AREA, 3μ" GOLD ON TAIL
-TM: MATTE TIN CONTACT AND TAIL
-FM: 3μ" SELECTIVE GOLD IN CONTACT AREA, MATTE TIN ON TAIL
-SM: 30μ" SELECTIVE GOLD IN CONTACT AREA, MATTE TIN ON TAIL
-L: 10μ" SELECTIVE GOLD IN CONTACT AREA, MATTE TIN ON TAIL



DO NOT SCALE FROM THIS PRINT

ASSEMBLY OPERATION	IN-PROCESS INSPECTION
MOUNT BODY	C1

TABLE 1

LEAD STYLE	TERMINAL	"A"	"B"	LEAD STYLE	TERMINAL	"A"	"B"
-02	T-1S13-02-XX-2	.312 [7.92]	.377 [9.58]	-62	T-1S13-05-XX-2	.312 [7.92]	.397 [10.08]
-03	T-1S13-03-XX-2	.470 [11.94]	.535 [13.59]	-63	T-1S13-06-XX-2	.470 [11.94]	.555 [14.10]
-05	T-1S13-05-XX-2	.332 [8.43]	.397 [10.08]	-65	T-1S13-19-XX-2	.328 [8.33]	.413 [10.49]
-06	T-1S13-06-XX-2	.490 [12.45]	.555 [14.1]	-66	T-1S13-09-XX-2	.509 [12.93]	.594 [15.09]
-55	T-1S13-20-XX-2	.258 [6.55]	.323 [8.2]	-69	T-1S13-14-XX-2	.529 [13.44]	.614 [15.60]
-09	T-1S13-09-XX-2	.529 [13.4]	.594 [15.1]	-70	T-1S13-17-XX-2	.608 [15.44]	.693 [17.60]
-10	T-1S13-10-XX-2	.608 [15.4]	.673 [17.1]	-71	T-1S13-12-XX-2	.745 [18.92]	.830 [21.08]
-11	T-1S13-11-XX-2	.686 [17.4]	.751 [19.1]	-72	T-1S13-18-XX-2	.766 [19.45]	.851 [21.62]
-12	T-1S13-12-XX-2	.765 [19.4]	.830 [21.1]	-73	T-1S13-08-XX-2	.391 [9.93]	.476 [12.09]
-13	T-1S13-13-XX-2	.391 [9.9]	.456 [11.6]	-74	T-1S13-10-XX-2	.588 [14.93]	.673 [17.09]
-14	T-1S13-14-XX-2	.549 [13.9]	.614 [15.6]	-75	T-1S13-02-XX-2	.292 [7.42]	.377 [9.58]

- NOTES:
1. MAX PIN ROTATION IN BODY TO BE 2°.
 2. PUSHOUT FORCE TO BE 1 lb. MIN.
 3. Ⓢ REPRESENTS CRITICAL DIMS. FOR STATISTICAL PROCESS CONTROL.
 4. ALL DIMS APPEARING IN [] ARE IN MILLIMETERS.
 5. INSULATOR MATERIAL: LCP, UL 94 VO

PROPRIETARY NOTE
THIS DOCUMENT CONTAINS INFORMATION CONFIDENTIAL AND PROPRIETARY TO SAMTEC INC. AND SHALL NOT BE REPRODUCED OR TRANSFERRED TO OTHER DOCUMENTS OR DISCLOSED TO OTHERS OR USED FOR ANY PURPOSE OTHER THAN THAT FOR WHICH IT WAS OBTAINED WITHOUT THE EXPRESSED WRITTEN CONSENT OF SAMTEC INC.



EXISPROD\ASSEMBLY_ZMM
ZSTMASH
520 PARK EAST BLVD. NEW ALBANY, INDIANA 47150
PHONE (812) 944-6733 P.O. BOX 1147
CODE 55322

MADE BY: BRYANT 7-8-92	ENGINEER APPROVAL	ZSTMM-1XX-XX-XX-D-XXX-XX
CHECKED BY: ECKERT	DEM	SHEET 1 OF 2