

QTH-030-01-L-D-A-RT1

0,50mm HI-SPEED HEADER QTH SERIES

SPECIFICATIONS

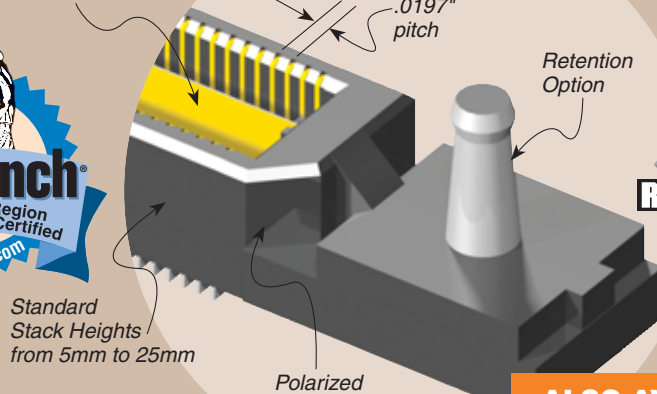
For complete specifications and recommended PCB layouts see www.samtec.com?QTH

- Insulator Material:** Liquid Crystal Polymer
- Terminal Material:** Phosphor Bronze
- Plating:** Au over 50µ" (1,27µm) Ni
- Current Rating:** Contact: 1.0A @ 30°C
- Temperature Rise
Ground Plane: 7.8A @ 30°C
- Temperature Rise
Operating Temp Range: -55°C to +125°C
- Voltage Rating:** 125 VAC (5mm Stack Height)
- Max Cycles:** 100
- Unmating Force (-RT1 option):** -RT1 option increases unmating force up to 50%
- RoHS Compliant:** Yes

Mates with: QSH, HFHM, HFHM2, HQCD (See Application Specific note)



Integral metal plane for power or ground



5mm Stack Height	Rated @ -3dB Insertion Loss
Single-Ended Signaling	9 GHz / 18 Gbps
Differential Pair Signaling	8 GHz / 16 Gbps

Performance data for other stack heights available at www.samtec.com?QTH

ALSO AVAILABLE

Differential Pair version. See QTH-DP Series.
Board Spacing Standoffs. See SO Series.

Processing:

- Max Processing Temp:** 230°C for 60 seconds, or 260°C for 20 seconds 3x
- Lead-Free Solderable:** Yes
- SMT Lead Coplanarity:** (0,10mm) .004" max (030-060) (0,15mm) .006" max (090-120)
- Board Stacking:** For applications requiring more than two connectors per board or 120 positions or higher, contact ipg@samtec.com



-030, -060, -090, -120
(60 total positions per bank)

Specify LEAD STYLE from chart.

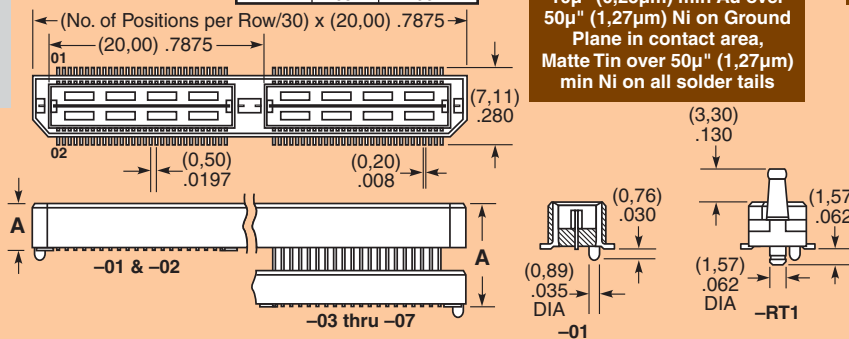
- L = 10µ" (0,25µm) Gold on Signal Pins and Ground Plane, Matte Tin on tails
- F = Gold Flash on Signal Pins and Ground Plane, Matte Tin on tails
- C* = Electro-Polished Selective 50µ" (1,27µm) min Au over 150µ" (3,81µm) Ni on Signal Pins in contact area, 10µ" (0,25µm) min Au over 50µ" (1,27µm) Ni on Ground Plane in contact area, Matte Tin over 50µ" (1,27µm) min Ni on all solder tails

- K = (7,00mm) .275" DIA Polyimide film Pick & Place Pad
- TR = Tape & Reel (-090 positions maximum)
- RT1 = Retention Option (-01 Lead Style only & -090 positions maximum)

APPLICATION SPECIFIC OPTION

- 14mm, 15mm, 22mm and 30mm stack height (Caution: Some automatic placement/inspection machines may have component height restrictions. Please consult machinery specifications.)
 - 30µ" (0,76µm) Gold (Specify -H plating for Data Rate cable mating applications.)
 - Edge Mount & Guide Posts
 - 150 positions per row
- Call Samtec.

QTH LEAD STYLE	A	HEIGHT WITH QSH
-01	(4,27) .168	(5,00) .198
-02	(7,26) .286	(8,00) .316
-03	(10,27) .404	(11,00) .433
-04	(15,25) .600	(16,00) .630
-05	(18,24) .718	(19,00) .748
-07	(24,24) .954	(25,00) .984



*Note: -C Plating passes 10 year MFG testing

Note: Some lengths, styles and options are non-standard, non-returnable.

Due to technical progress, all designs, specifications and components are subject to change without notice.

WWW.SAMTEC.COM