

DO NOT SCALE FROM THIS PRINT

THIS DESIGN HAS NOT BEEN APPROVED BY ENGINEERING DO NOT DISTRIBUTE THIS PRINT

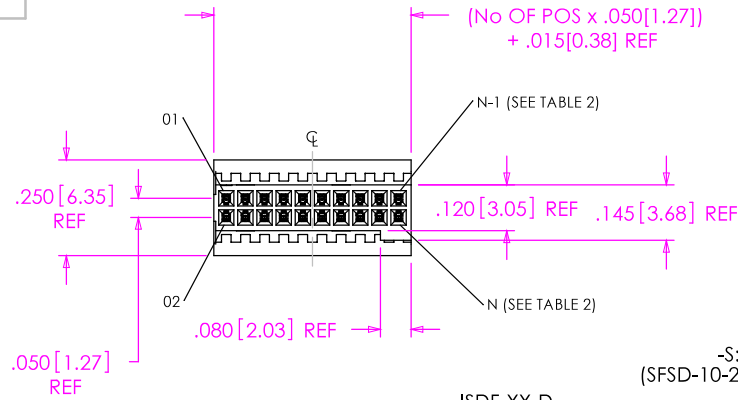
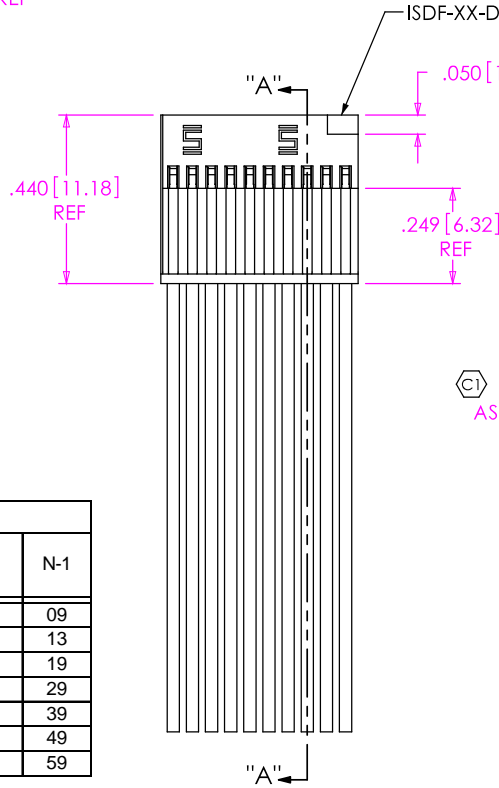


FIG. 1  
-S: SINGLE END  
(SFSD-10-28-X-XX.XX-S SHOWN)



ASSEMBLED LENGTH:  
(SEE NOTE 8)

SECTION "A"-"A"

No. OF POSITIONS	N	N-1
-05	10	09
-07	14	13
-10	20	19
-15	30	29
-20	40	39
-25	50	49
-30	60	59

No. OF POSITIONS  
-02 THRU -30 (PER ROW)  
-05, -07, -10, -15, -20, -25, & -30  
AVAILABLE AS STANDARD  
(ALL OTHER SIZES AVAILABLE AS ASO)

WIRE GAUGE (AWG)  
-28  
-30

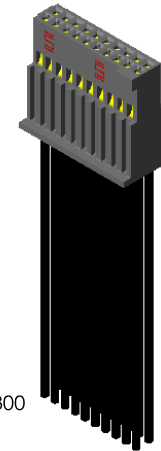
PLATING SPECIFICATION  
\* -F: FLASH SELECTIVE  
\* -L: LIGHT SELECTIVE  
\* -S: SELECTIVE  
\* -H: SELECTIVE GOLD  
\* -G: LIGHT SELECTIVE  
\* -GF: FLASH SELECTIVE  
(SEE TABLE 4, SHEET 3)

ASSEMBLED LENGTH  
SPECIFY IN INCHES  
(SINGLE END: 03.00 INCH [76.2mm] MINIMUM,  
DOUBLE END: 03.25 INCH [82.6mm] MINIMUM)

-NXX OPTION (END 2)  
(ONLY AVAILABLE WITH -D, -DL, -DR)  
-NUS: NOTCH UP, STRAIGHT  
(PIN 1 TO PIN N-1)  
-NDS: NOTCH DOWN, STRAIGHT  
(PIN 1 TO PIN 2)  
-NXX: NOTCH UP, CROSSED  
(PIN 1 TO PIN N)  
-NDX: NOTCH DOWN, CROSSED  
(PIN 1 TO PIN 1)

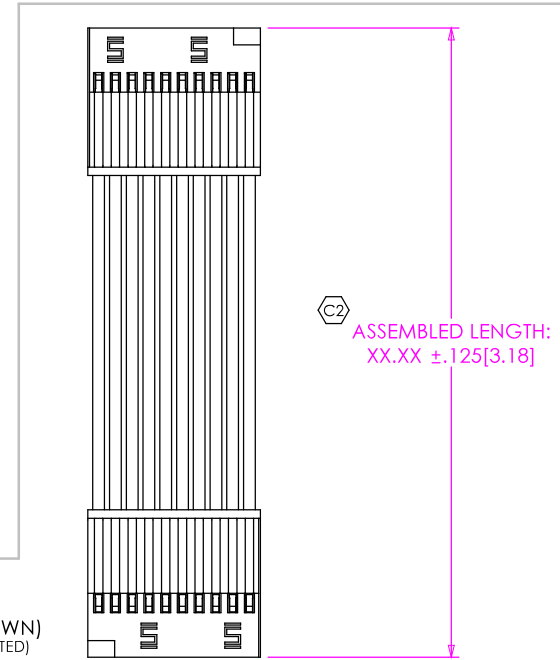
END OPTION  
(END OPTION COMBINATIONS NOT AVAILABLE)  
-S: SINGLE END  
-D: DOUBLE END  
(MUST CHOOSE FROM -NXX OPTIONS)  
-SL: SINGLE ENDED WITH FRICTION LOCK  
(SEE SHEET 2, FIG. 3)  
-DL: DOUBLE ENDED WITH FRICTION LOCK  
(SEE SHEET 2, FIG. 4)  
(MUST CHOOSE FROM -NXX OPTIONS)  
-SR: SINGLE ENDED WITH RETENTION LATCH  
(SEE SHEET 4, FIG. 5)(USE SUB-IM-LTC-07-01-N)  
(ONLY AVAILABLE ON -05 THRU -30 POS)  
-DR: DOUBLE ENDED WITH RETENTION LATCH  
(SEE SHEET 4, FIG. 6)(USE SUB-IM-LTC-07-01-N)  
\* (ONLY AVAILABLE ON -05 THRU -30 POS)  
(MUST CHOOSE FROM -NXX OPTIONS)

\* DO NOT DESIGN IN.  
FOR EXISTING CUSTOMERS ONLY.



DWC-XX-10-300

FIG. 2  
-D: DOUBLE END  
(SFSD-10-28-X-XX.XX-D-NUS SHOWN)  
(SAME AS FIG. 1, UNLESS OTHERWISE STATED)



ASSEMBLED LENGTH:  
XX.XX ±.125 [3.18]

NOTES:

- ⊕ REPRESENTS A CRITICAL DIMENSION.
- MINIMUM PULLOUT FORCE: 3.0 LBS [13.3 N].
- CONTACT MUST BE INSERTED UNTIL RETENTION FEATURE LOCKS INTO PLACE.
- ALL FINISHED GOODS ARE TO BE ELECTRICAL TESTED INCLUDING HI-POT TEST AT 300V.
- TINNED COPPER WIRE IS ROHS COMPLIANT.
- PARTS TO BE LAYER PACKAGED.
- END OF DISCRETE WIRE MUST BE IN THE RANGE AFTER CRIMP.
- FOR LENGTHS LESS THAN 12 in, TOLERANCE SHALL BE +/- .125. FOR OTHER LENGTHS, TOLERANCE SHALL BE +/- 2%.

WIRE GAUGE	DWC-XX-10-300
28 AWG	DWC-28-10-300
30 AWG	DWC-30-10-300

UNLESS OTHERWISE SPECIFIED, DIMENSIONS ARE IN INCHES.  
TOLERANCES ARE:  
DECIMALS ANGLES  
.XX: ±.01 [.3]  
.XXX: ±.005 [.13]  
.XXXX: ±.0020 [.051]

PROPRIETARY NOTE  
THIS DOCUMENT CONTAINS INFORMATION CONFIDENTIAL AND PROPRIETARY TO SAMTEC, INC. AND SHALL NOT BE REPRODUCED OR TRANSFERRED TO OTHER DOCUMENTS OR DISCLOSED TO OTHERS OR USED FOR ANY PURPOSE OTHER THAN THAT WHICH IT WAS OBTAINED WITHOUT THE EXPRESSED WRITTEN CONSENT OF SAMTEC, INC.



520 PARK EAST BLVD, NEW ALBANY, IN 47150  
PHONE: 812-944-6733 FAX: 812-948-5047  
e-Mail: info@SAMTEC.com code: 55322

MATERIAL:  
INSULATOR: LCP, COLOR: BLACK  
CONTACT: BeCu  
CABLE INSULATION: PVC  
WIRE: TINNED COPPER

DO NOT SCALE DRAWING SHEET SCALE: 2:1  
SHEET SCALE: 2:1  
DESIGNED WITH SolidWorks

DESCRIPTION:  
.050 [1.27] SOCKET DISCRETE CABLE ASSEMBLY  
DWG. NO.  
SFSD-XX-XX-X-XX.XX-XX-XXX  
BY: BRATCHER 5/5/2005 SHEET 1 OF 4

REVISION F

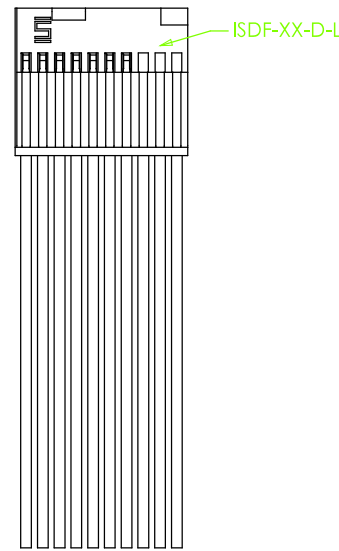
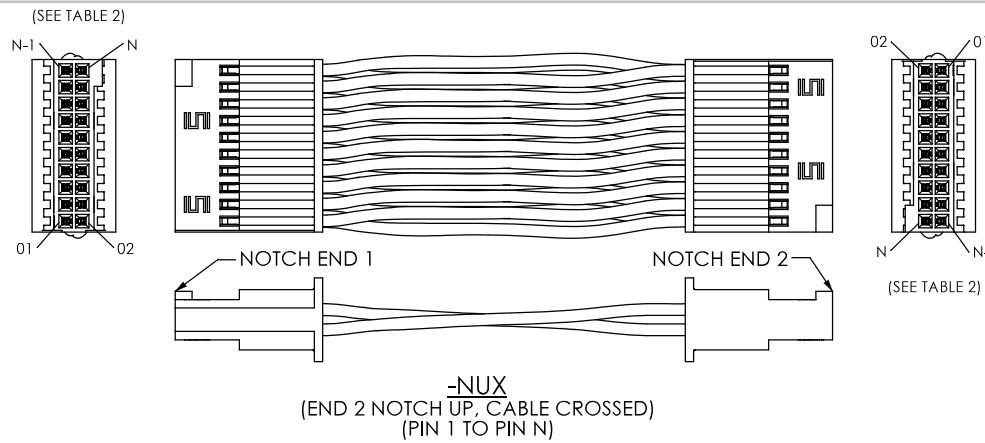
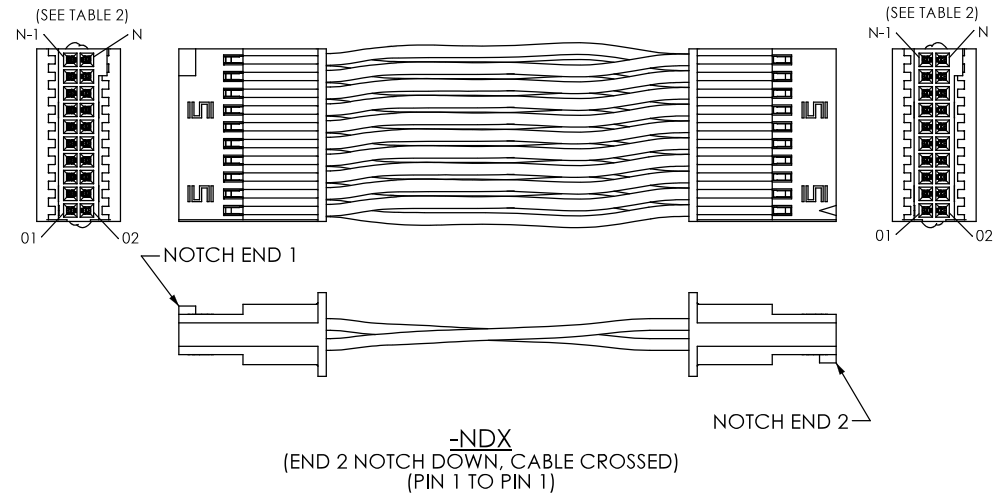
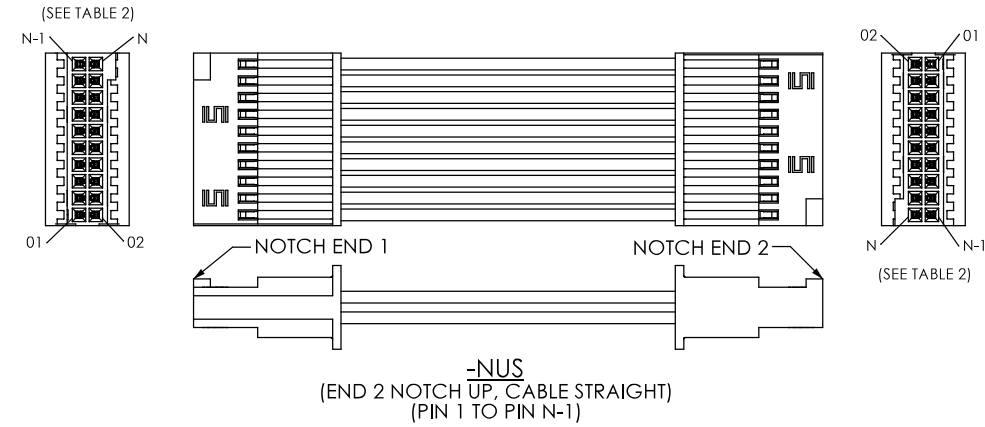


FIG. 3  
-SL: SINGLE END RETENTION LOCK  
(SFSD-10-28-X-XX.XX-SL SHOWN)  
(SAME AS FIG. 1, UNLESS OTHERWISE STATED)

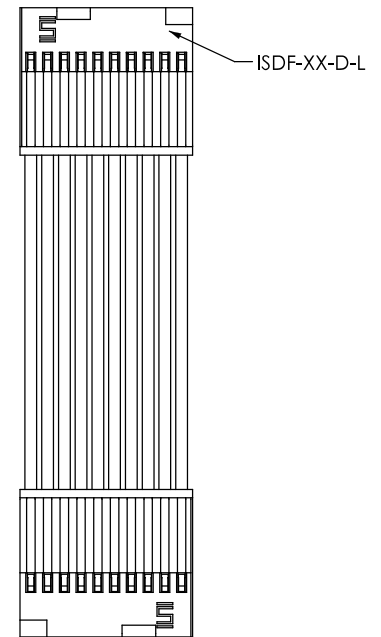
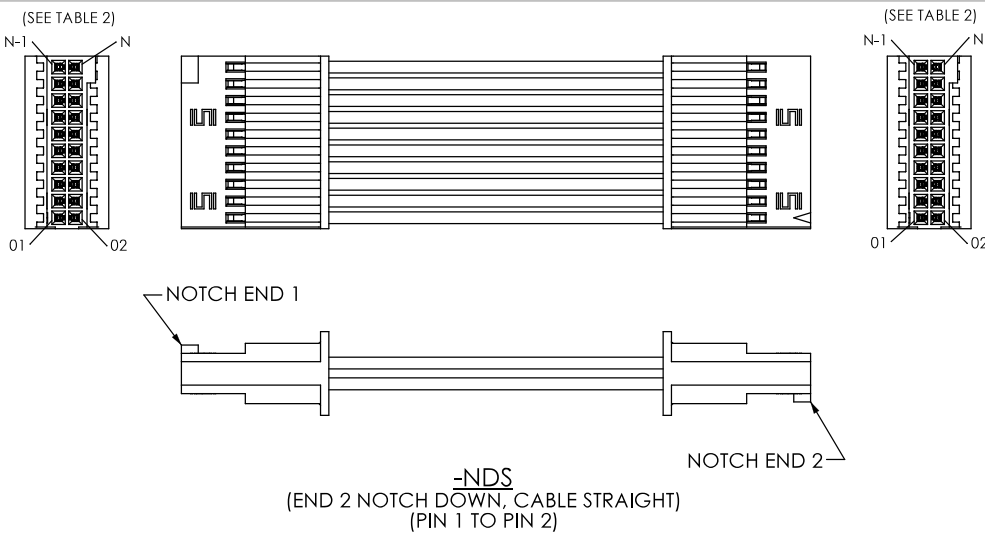


FIG. 4  
-DL: DOUBLE END RETENTION LOCK  
(SFSD-10-28-X-XX.XX-DL-NUS SHOWN)  
(SAME AS FIG. 1, UNLESS OTHERWISE STATED)



**PROPRIETARY NOTE**  
THIS DOCUMENT CONTAINS INFORMATION CONFIDENTIAL AND PROPRIETARY TO SAMTEC, INC. AND SHALL NOT BE REPRODUCED OR DISCLOSED TO OTHERS OR USED FOR ANY PURPOSE OTHER THAN THAT WHICH IT WAS OBTAINED WITHOUT THE EXPRESSED WRITTEN CONSENT OF SAMTEC, INC.

DO NOT SCALE DRAWING

SHEET SCALE: 1:0.571429

**samtec**

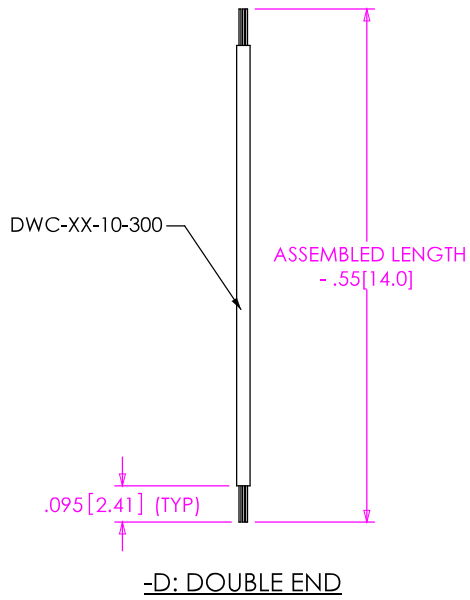
520 PARK EAST BLVD, NEW ALBANY, IN 47150  
PHONE: 812-944-6733 FAX: 812-948-5047  
e-Mail: info@SAMTEC.com code: 55322

DESCRIPTION:  
.050[1.27] SOCKET DISCRETE CABLE ASSEMBLY

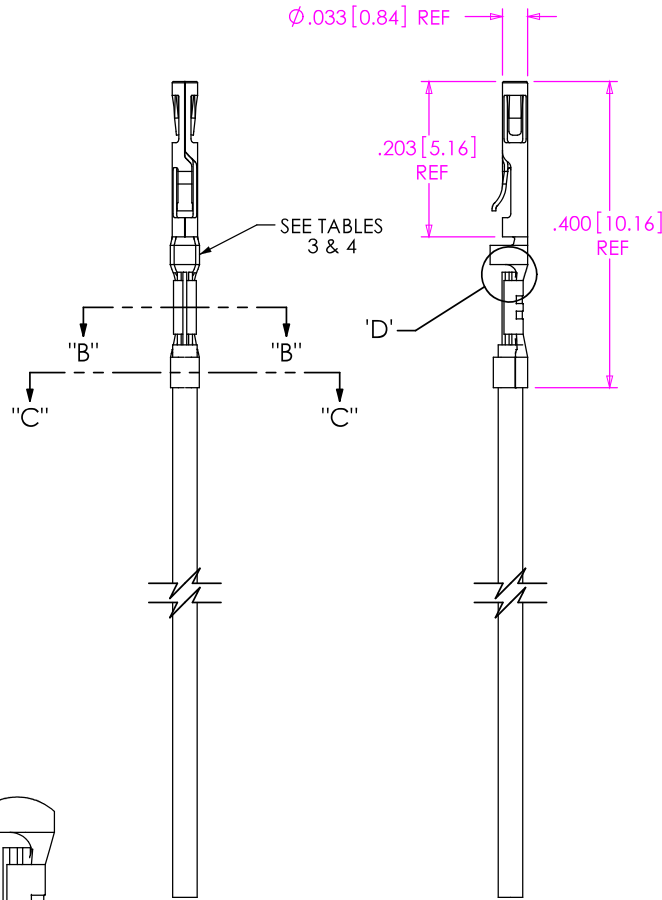
DWG. NO.  
SFSD-XX-XX-X-XX.XX-XX-XXX

BY: BRATCHER 5/5/2005 SHEET 2 OF 4

IN-PROCESS 1



IN-PROCESS 2  
(TYP BOTH END FOR -D: DOUBLE END)



-S IN-PROCESS  
(SFSD-10-28-X-XX.XX-D-NUS SHOWN)  
(SAME AS FIG. 1, UNLESS OTHERWISE STATED)

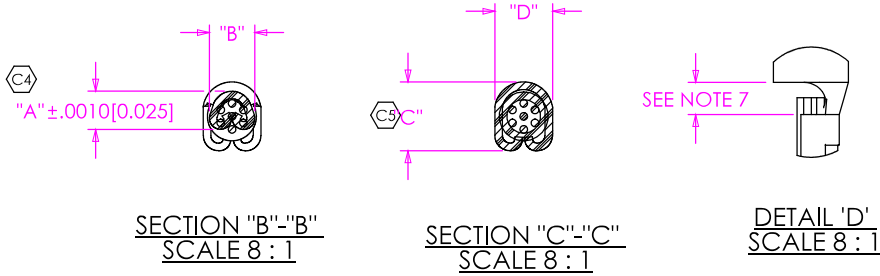
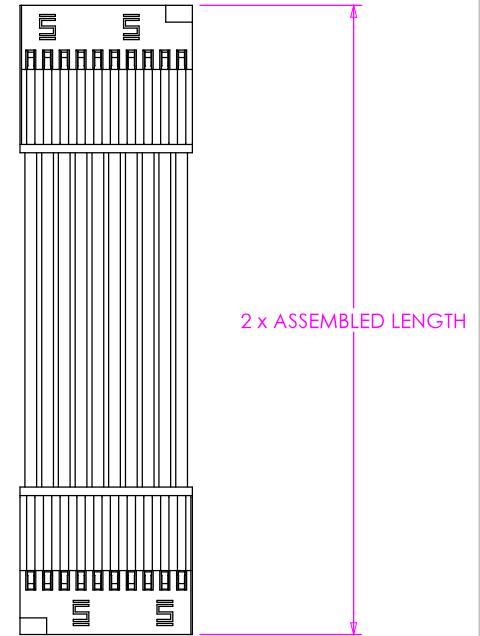


TABLE 3: GAUGE

AWG	CONTACT	CABLE	"A"	"B"	"C"	"D"
-28	C-203-2830-X or CC03X-2830-01-X	DWC-28-10-300	.0200 [0.508]	.0300 [0.762]	.0450 [1.143]	.0380 [0.965]
-30	C-203-2830-X or CC03X-2830-01-X	DWC-30-10-300	.0180 [0.457]	.0300 [0.762]	.0450 [1.143]	.0380 [0.965]

TABLE 4: PLATING

PLATING	CONTACT
-H	C-203-2830-H or CC03X-2830-01-H
-GF	C-203-2830-GF or CC03X-2830-01-GF
-G	C-203-2830-G or CC03X-2830-01-G
* -S	C-203-2830-H or CC03X-2830-01-S
* -F	C-203-2830-GF or CC03X-2830-01-F
* -L	C-203-2830-G or CC03X-2830-01-L

F

**PROPRIETARY NOTE**  
THIS DOCUMENT CONTAINS INFORMATION CONFIDENTIAL AND PROPRIETARY TO SAMTEC, INC. AND SHALL NOT BE REPRODUCED OR TRANSFERRED TO OTHER DOCUMENTS OR DISCLOSED TO OTHERS OR USED FOR ANY PURPOSE OTHER THAN THAT WHICH IT WAS OBTAINED WITHOUT THE EXPRESSED WRITTEN CONSENT OF SAMTEC, INC.

DO NOT SCALE DRAWING

SHEET SCALE: 2:1



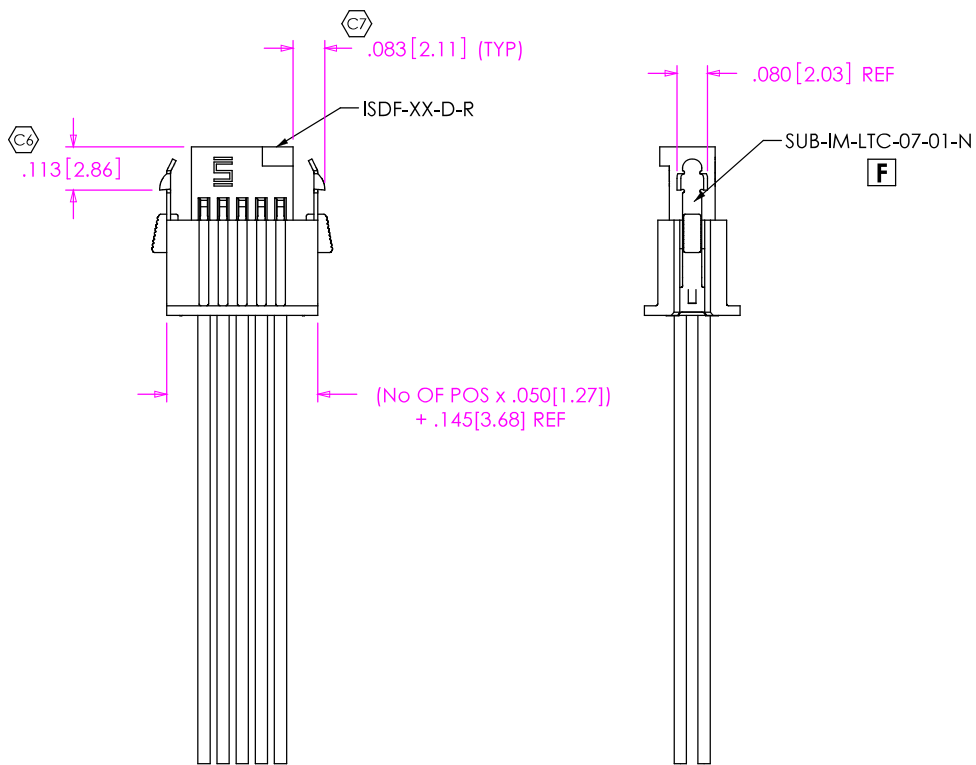
520 PARK EAST BLVD, NEW ALBANY, IN 47150  
PHONE: 812-944-6733 FAX: 812-948-5047  
e-Mail: info@SAMTEC.com code: 55322

DESCRIPTION:  
.050 [1.27] SOCKET DISCRETE CABLE ASSEMBLY

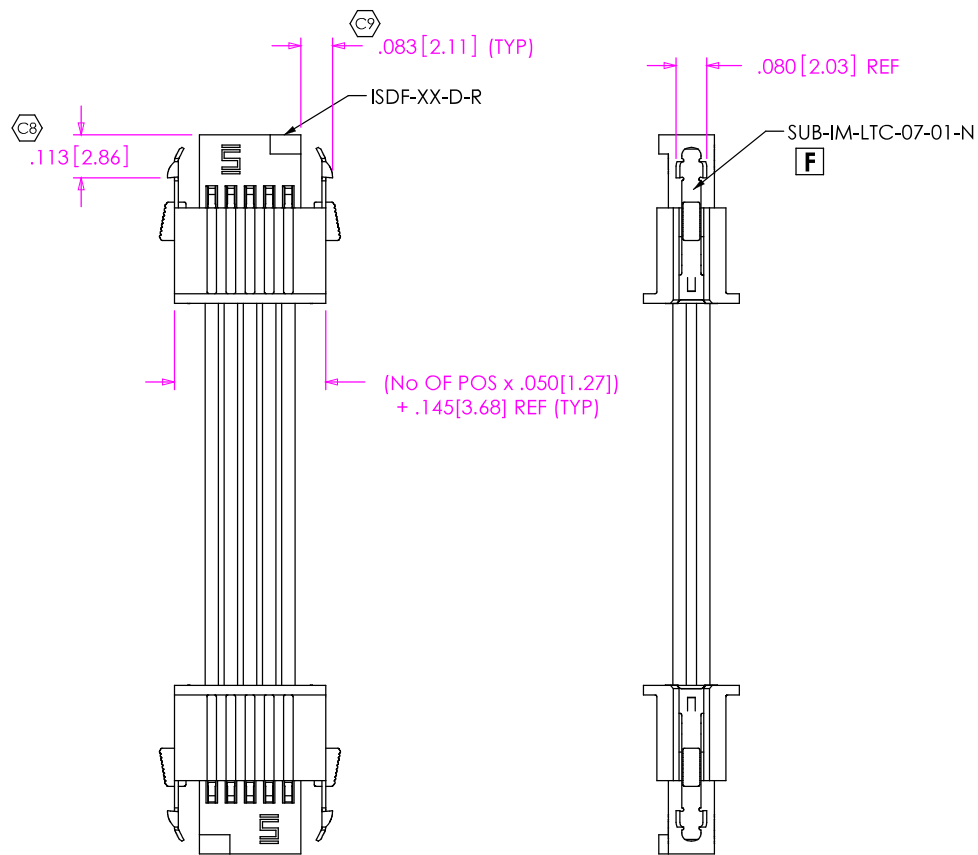
DWG. NO.  
SFSD-XX-XX-X-XX.XX-XX-XXX

BY: BRATCHER 5/5/2005 SHEET 3 OF 4


**FIG. 5**  
 -SR: SINGLE END WITH RETENTION LATCH  
 (SFSD-10-28-X-XX.XX-SR SHOWN)  
 (ONLY AVAILABLE ON -05 THRU -30 POS)  
 (SAME AS FIG. 1, UNLESS OTHERWISE STATED)



**FIG. 6**  
 -DR: DOUBLE END WITH RETENTION LATCH  
 (SFSD-10-28-X-XX.XX-DR SHOWN)  
 (ONLY AVAILABLE ON -05 THRU -30 POS)  
 (SAME AS FIG. 1, UNLESS OTHERWISE STATED)



F:\DWG\MISC\MKTG\SFSD-XX-XX-X-XX.XX-XXX-MKT.SLDDRW

<p><b>PROPRIETARY NOTE</b>                  THIS DOCUMENT CONTAINS INFORMATION CONFIDENTIAL AND PROPRIETARY TO SAMTEC, INC. AND SHALL NOT BE REPRODUCED OR TRANSFERRED TO OTHER DOCUMENTS OR DISCLOSED TO OTHERS OR USED FOR ANY PURPOSE OTHER THAN THAT WHICH IT WAS OBTAINED WITHOUT THE EXPRESSED WRITTEN CONSENT OF SAMTEC, INC.</p> <p>DO NOT SCALE DRAWING</p> <p>SHEET SCALE: 4:1</p>		
	<p>520 PARK EAST BLVD, NEW ALBANY, IN 47150                  PHONE: 812-944-6733 FAX: 812-948-5047                  e-Mail: info@SAMTEC.com code: 55322</p>	
	<p>DESCRIPTION:                  .050 [1.27] SOCKET DISCRETE CABLE ASSEMBLY</p>	
	<p>DWG. NO.  <b>SFSD-XX-XX-X-XX.XX-XX-XXX</b></p>	
<p>BY: BRATCHER 5/5/2005</p>		<p>SHEET 4 OF 4</p>