

.050" x .050" SOCKETS FOLC SERIES

SPECIFICATIONS

For complete specifications and recommended PCB layouts see www.samtec.com?FOLC

Insulator Material: Black Liquid Crystal Polymer



Contact Material: BeCu

Current Rating: 1A @ 80°C ambient
Operating Temp Range: -55°C to +125°C

Plating: Au, PdNi or Sn over 50µ" (1,27µm) Ni

Contact Resistance: 15 mΩ max

Insertion Depth: (3,30mm) .130" to (4,06mm) .160"

Insertion Force: (Single contact only)
 Standard= 5.0oz (1,39N) avg;
 LIF= 2.0oz (0,56N) avg.

Normal Force:
 Standard= 70 grams (0,69N) avg; LIF= 40 grams (0,39N) avg.

Withdrawal Force: (Single contact only)
 Standard= 4oz (1,11N) avg;
 LIF= 1.5oz (0,42N) avg.

Max Cycles: 100 with 30µ" (0,76µm) Au
RoHS Compliant: Yes

Processing:
Max Processing Temp: 230°C for 60 seconds, or 260°C for 20 seconds 3x
Lead-Free Solderable: Yes
SMT Lead Coplanarity: (0,15mm) .006" max

Mates with: MOLC

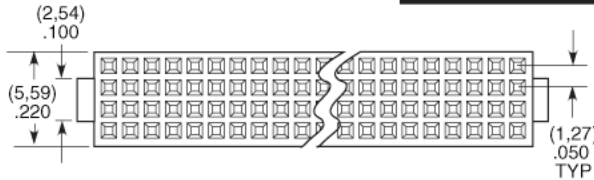
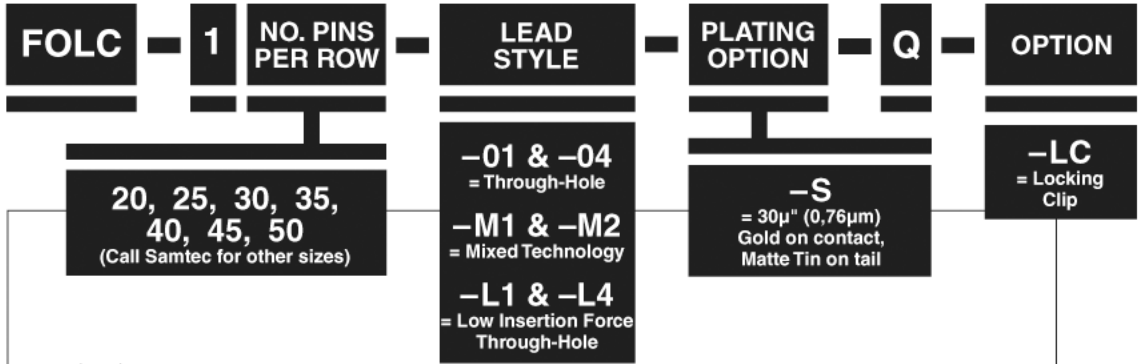
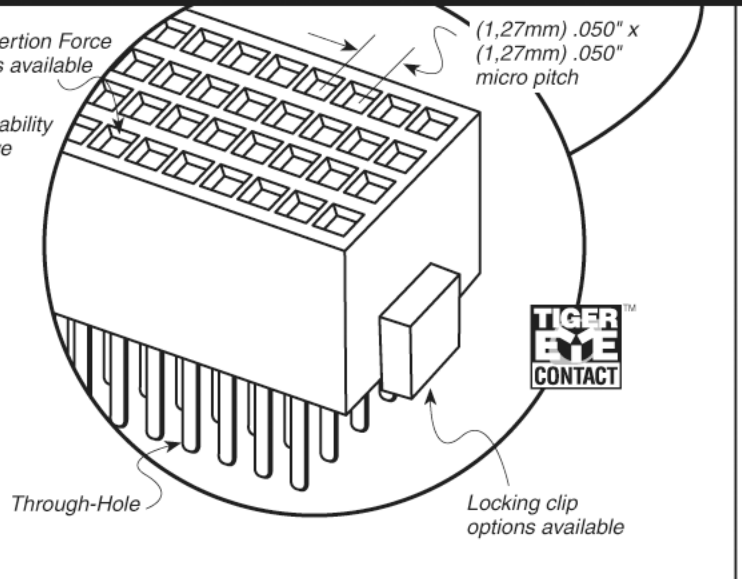
Low Insertion Force contacts available

High reliability Tiger-Eye contacts

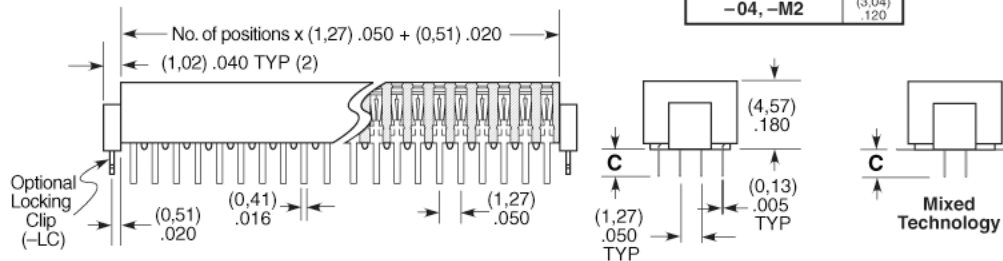
(1,27mm) .050" x (1,27mm) .050" micro pitch

APPLICATION SPECIFIC OPTION

Alignment pins available. Call Samtec.



LEAD STYLE	C
-01, -M1	(1,91) .075
-04, -M2	(3,04) .120



Note: Some sizes, styles and options are non-standard, non-returnable.

Due to technical progress, all designs, specifications and components are subject to change without notice.

WWW.SAMTEC.COM