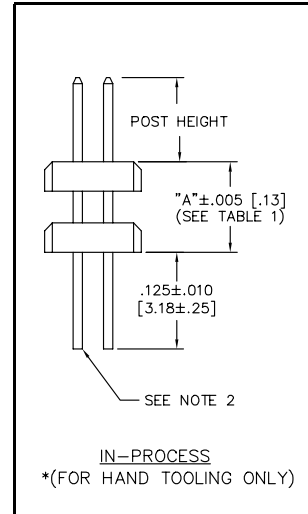
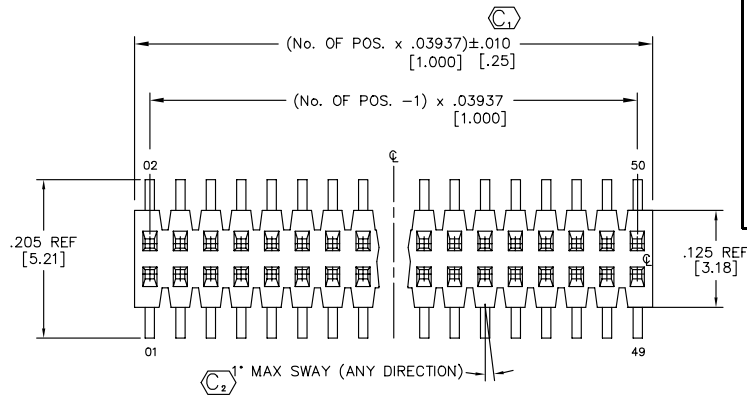


"A" RANGE	BODY STYLE		FIG.
	UPPER	LOWER	
.095 - .129 [2.41 - 3.28]	FTM-50-D	FTM-50-D	2
.130 - .245 [3.30 - 6.22]	FTMH-75-D	MW-75-D	1

SEE NOTES  
5 & 6



MW-XX-03-X-D-XXX-XXX-XX

NO. OF POSITIONS  
-02 THRU -50  
(PER ROW)

LEAD STYLE  
USE T-1S16-01-X-2  
(SEE NOTE 7)

PLATING  
-F: FLASH SELECTIVE (USE T-1S16-01-F-2)  
-L: LIGHT SELECTIVE (USE T-1S16-01-L-2)  
-G: GOLD (USE T-1S16-01-G-2)  
-H: HEAVY GOLD (USE T-1S16-01-H-2)

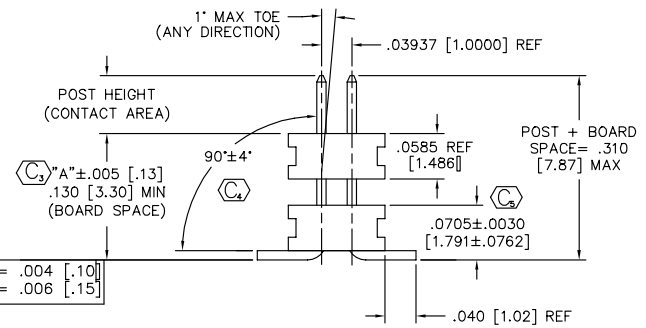
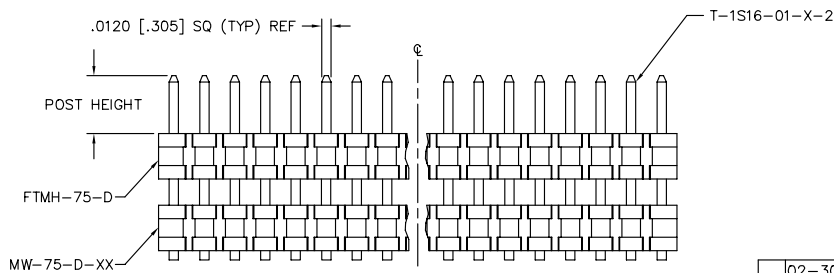
ROW OPTION  
-D: DOUBLE  
(SEE TABLE 1 FOR BODY)

BOARD SPACE OPTION  
"A": .245 [6.22] MAX w/ .065 [1.65] POST,  
.095 [2.41] MIN.

POST HEIGHT  
.065 [1.65] MIN  
(POST + BOARD SPACE = .310 [7.87] MAX)

OPTION  
-P: PICK & PLACE PAD (SEE SHT 2, FIG 3, USE PPP-30) (7 POS PER ROW MIN)  
-ES: END SHROUDS (9 POS PER ROW MIN) (SEE SHT 2, FIG 4) (MAX POST: .075 [1.91]) (SEE NOTE 8)  
-EP: GUIDE POST (9 POS PER ROW MIN) (SEE SHT 2, FIG 5) (MAX POST: .075 [1.91]) (SEE NOTE 8)  
-A: ALIGNMENT PINS (MOLDED OR STAKED, SAMTEC'S DISCRETION ON WHICH)(SEE FIGS 6 & 7, SHT 3) (STAKED: 7 POS MIN, 60 POS MAX) (MOLDED: 5 POS MIN, 75 POS MAX) (SEE NOTE 8)  
-TR: TAPE & REEL (ALL POSITIONS) (MAX HEIGHT: .6875)

- NOTES:
- PARTS MAY BE CUT TO POSITION; .010 MAX CUT FLASH.
  - SHEAR TAILS TO DIMENSION SHOWN; .003 MAX BURR. (FOR HAND TOOLING ONLY)
  - Ⓢ REPRESENTS A CRITICAL DIMENSION
  - PACKAGE POSITIONS 05 THROUGH 50 IN TUBES; LAYER PACKAGE POSITIONS 02 THROUGH 04.
  - HAND ASSEMBLED PARTS TO BE 2 BLACK BODIES AND MACHINED ASSEMBLED TO BE TOP: BLACK BOTTOM: NATURAL
  - FOR HAND FILL, USE FTMH-75-D FOR LOWER BODY.
  - FOR MACHINE FILLED, USE T-1S16-03-X-2.
  - AVAILABLE ONLY WITH BOARD SPACE .130 TO .245.



02-30 POS. = .004 [.10]  
31-50 POS. = .006 [.15]

FIG. 1

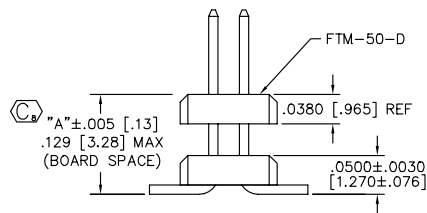


FIG. 2

(DIFFERENT AS SHOWN, OTHERWISE SAME AS FIGURE 1)

PROPRIETARY NOTE  
THIS DOCUMENT CONTAINS INFORMATION  
CONSIDERED AND INTENDED TO BE  
UNCLASSIFIED AND SHALL NOT BE  
REPRODUCED OR TRANSMITTED IN  
ANY FORM OR BY ANY MEANS, ELECTRONIC  
OR MECHANICAL, INCLUDING PHOTOCOPYING,  
RECORDING, OR BY ANY INFORMATION  
SYSTEMS WITHOUT THE EXPRESS  
WRITTEN PERMISSION OF SAMTEC INC.

MATERIAL:  
FTM-50-D &  
FTMH-75-D  
LIQUID CRYSTAL POLYMER  
COLOR: BLACK  
MW-75-D-XX:  
LIQUID CRYSTAL POLYMER  
COLOR: NATURAL  
TERMINAL:  
PHOS BRONZE  
MAX FLASH ALLOWED:  
.002 [.05]  
MAX GATE VESTIGE  
ALLOWED: .002 [.05]

EXISPROD/ASSEMBLY/1mm  
MW-ASM

**samtec**

520 PARK EAST BLVD. NEW ALBANY, INDIANA 47150  
PHONE (812) 944-6733 P.O. BOX 1147  
CODE 55322

MADE BY: BRATCHER 4-3-95

MW-XX-03-X-D-XXX-XXX-XX  
SHEET 1 OF 3

REV. AG

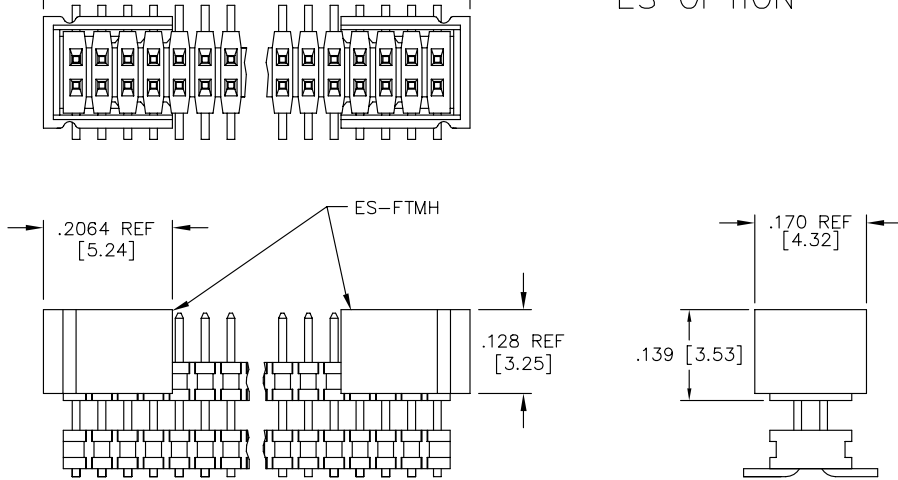
FIG. 4

(DIFFERENT AS SHOWN, OTHERWISE SAME AS FIG. 1)

$$\left\{ (\text{No OF POS} + 2) \times .03937 \right\} + .005 / - .015$$

[1.000] [.13] [.38]

-ES OPTION



UNLESS OTHERWISE NOTED TOLERANCES ARE:

ONE PLACE DECIMALS  $\pm .1$  [2.5] THREE PLACE DECIMALS  $\pm .005$  [.13]  
 TWO PLACE DECIMALS  $\pm .01$  [.3] FOUR PLACE DECIMALS  $\pm .0020$  [.051]

ANGLES  $\pm 3^\circ$

TITLE:  
 1mm x 1mm CENTERLINE  
 SURFACE MOUNT BOARD  
 STACKER ASSEMBLY

DWG NO:  
 MW-XX-03-X-D-XXX-XXX-XX

SHEET 2 OF 3

FIG. 3

(DIFFERENT AS SHOWN, OTHERWISE SAME AS FIG. 1)

NOTE: "M" = USED MEASURED DIMENSION (REF)  
 "P" =  $\{ ("M" - .200 [5.08]) / 2 \} \pm .020 [51]$

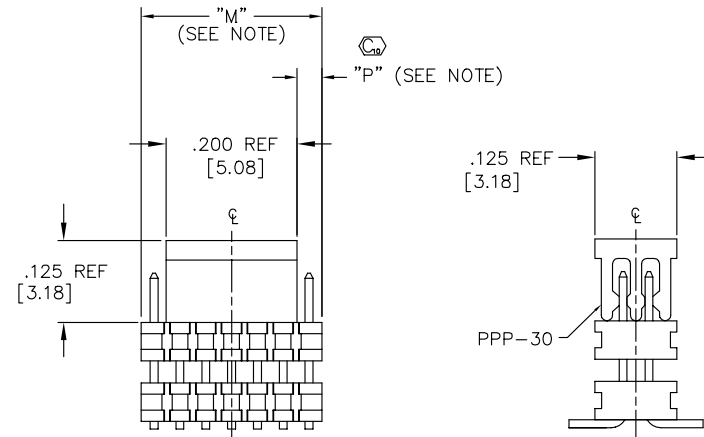
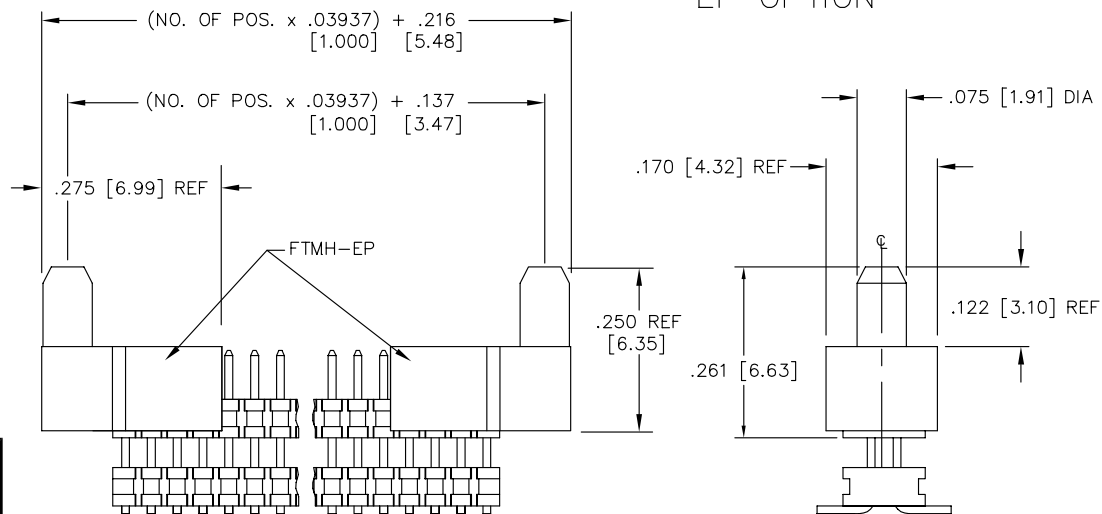


FIG. 5

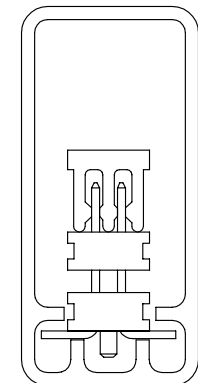
(DIFFERENT AS SHOWN, OTHERWISE SAME AS FIG. 1)

-EP OPTION



PACKAGING VIEW

PARTS TO BE PACKAGED IN  
 PT-1-24-02-60 TUBE USING  
 2 TP-03 PLUGS.



PLOT SCALE: 1 = .15  
 EXISPROD\ASSEMBLY\1MM  
 MW-ASM2

**samtec**

520 PARK EAST BLVD. NEW ALBANY, INDIANA 47150  
 PHONE (812) 944-6733 P.O. BOX 1147  
 CODE 55322

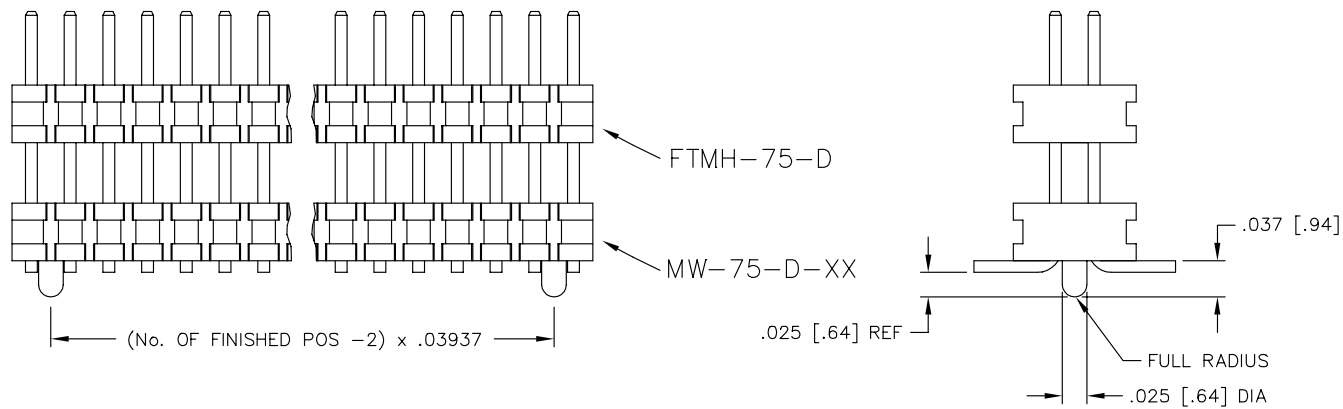
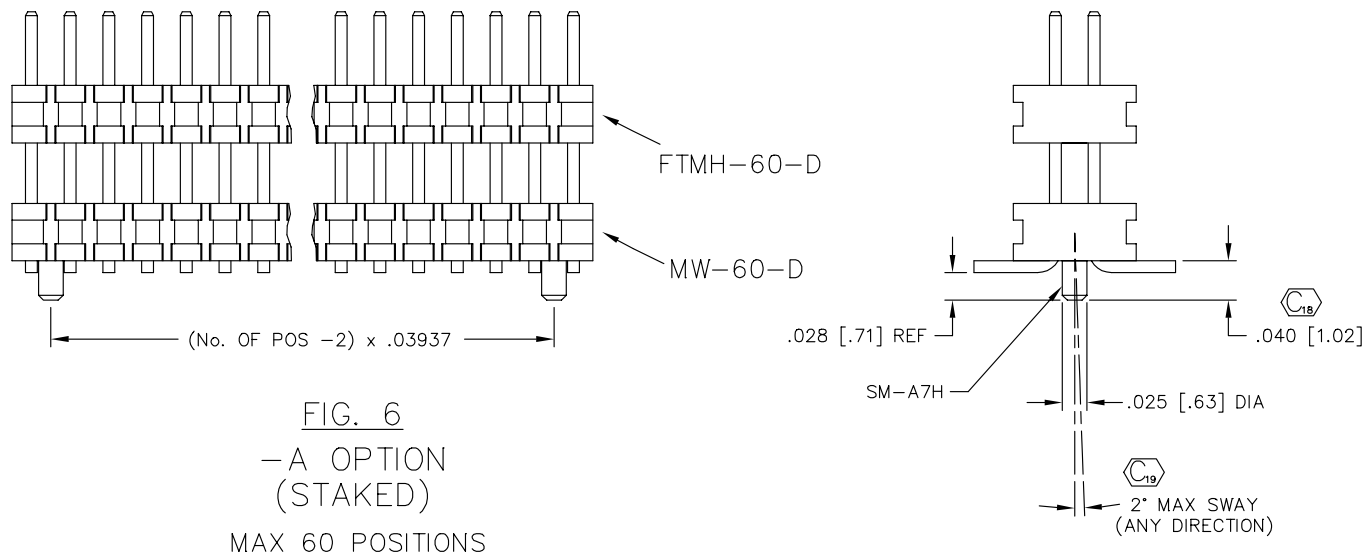
SHT 2 MADE BY:  
 JONES 1-17-97

ENG.  
 APPROVAL

MW-XX-03-X-D-XXX-XXX-XX  
 SHEET 2 OF 3

PROPRIETARY NOTE  
 THIS DOCUMENT CONTAINS INFORMATION  
 CONFIDENTIAL AND PROPRIETARY TO  
 SAMTEC INC. AND SHALL NOT BE  
 REPRODUCED OR TRANSMITTED IN  
 ANY FORM OR BY ANY MEANS, ELECTRONIC  
 OR MECHANICAL, INCLUDING PHOTOCOPYING,  
 RECORDING, OR BY ANY INFORMATION  
 STORAGE AND RETRIEVAL SYSTEM, WITHOUT  
 THE WRITTEN CONSENT OF SAMTEC INC.

DIMENSIONS ARE IN INCHES		UNLESS OTHERWISE NOTED	TOLERANCES ARE:	TITLE: 1mm x 1mm CENTERLINE SURFACE MOUNT BOARD STACKER ASSEMBLY	DWG NO: MW-XX-03-X-D-XXX-XXX-XX
ONE PLACE DECIMALS $\pm .1$ [2.5]	THREE PLACE DECIMALS $\pm .005$ [.13]	ANGLES $\pm 3^\circ$			
TWO PLACE DECIMALS $\pm .01$ [.3]	FOUR PLACE DECIMALS $\pm .0020$ [.051]				SHEET 3 OF 3



PROPRIETARY NOTE  
THIS DOCUMENT CONTAINS INFORMATION  
CONFIDENTIAL AND PROPRIETARY TO  
SAMTEC INC. AND SHALL NOT BE  
REPRODUCED OR TRANSMITTED TO  
OTHER DOCUMENTS OR INCORPORATED  
OTHERS OR USED FOR ANY PURPOSE  
OTHER THAN THAT FOR WHICH IT WAS  
OBTAINED WITHOUT THE EXPRESSED  
WRITTEN CONSENT OF SAMTEC INC.

PLOT SCALE: 1 = .1  
EXISPROD\ASSEMBLY\1MM  
MW-ASM3

**samtec**

520 PARK EAST BLVD. NEW ALBANY, INDIANA 47150  
PHONE (812) 944-6733 P.O. BOX 1147  
CODE 55322

SHT 2 MADE BY: JONES 1-17-97	ENG. APPROVAL	MW-XX-03-X-D-XXX-XXX-XX SHEET 3 OF 3
---------------------------------	------------------	---