

IP68 ETHERNET CIRCULAR SCPE, SCRE SERIES

SPECIFICATIONS

Mates with:
SCRE

For complete specifications see www.samtec.com?SCPE

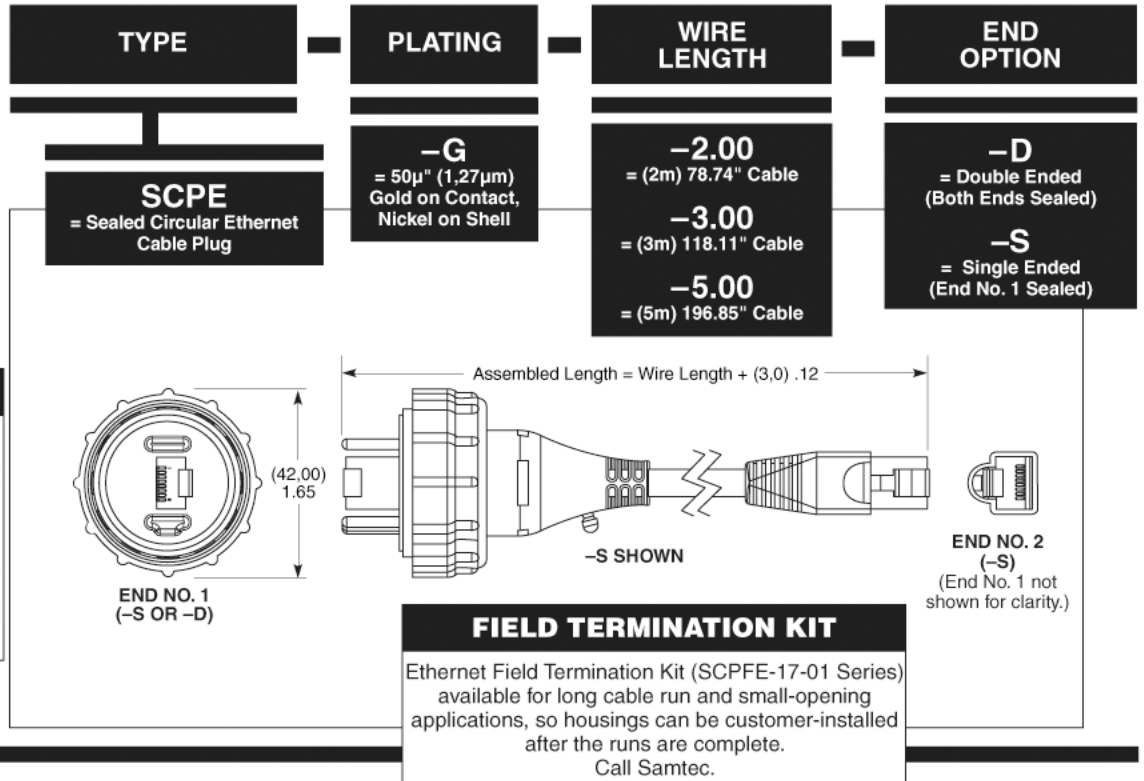
Insulator Material:
Polycarbonate
Contact Material:
Phosphor Bronze
Shield Material:
Phosphor Bronze
Overmold: PA66 GF13 FR
Operating Temp Range:
-20°C to +75°C
RoHS Compliant: Yes

ALSO AVAILABLE

Other wire lengths.
Dust Cap: DCA-17-02
Contact Samtec.

Other applications:
RF: See SCPC Series
USB: See SCPU Series
Power: See SCP1 Series
High Density:
See SCP2 Series

Note: Some lengths, styles and options are non-standard, non-returnable.



SPECIFICATIONS

Mates with:
SCPE

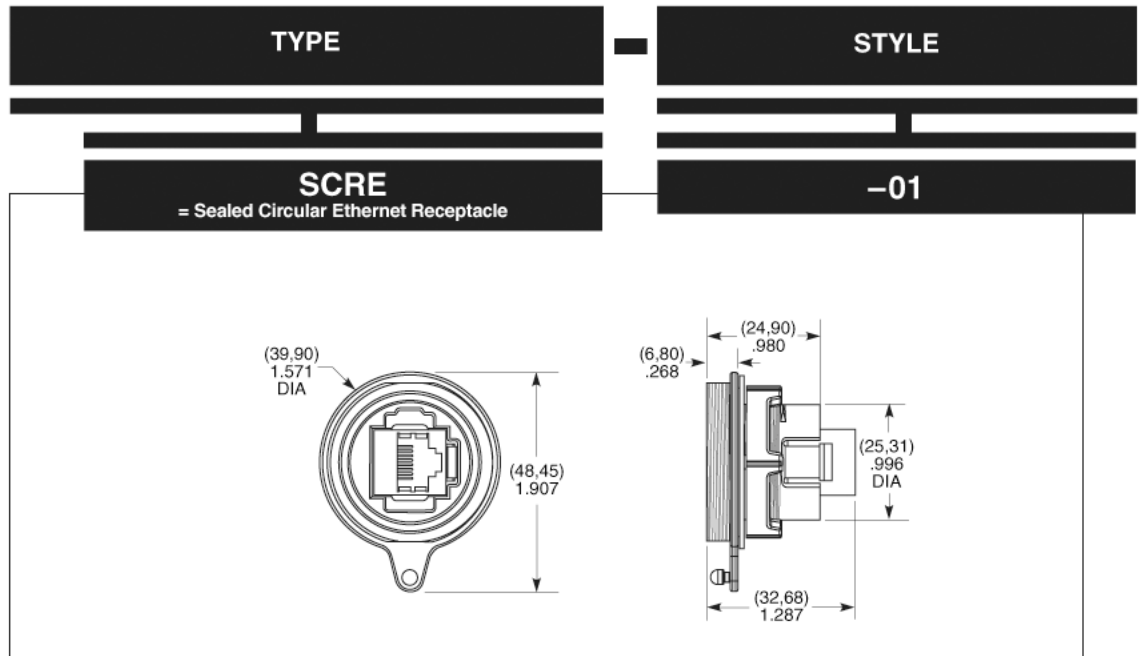
For complete specifications and recommended panel hole layout see www.samtec.com?SCRE

Insulator Material:
PBT
Contact Material:
Phosphor Bronze
Shield Material:
Phosphor Bronze
Plating:
30µ" (0,76µm) Gold on Contact,
Nickel on Shell
O-Ring: Silicone
Mold: PA66 IM FR BK
Operating Temp Range:
-20°C to +75°C
RoHS Compliant:
Yes

ALSO AVAILABLE

Dust Cap: DCA-17-01
Contact Samtec.

Note: Some lengths, styles and options are non-standard, non-returnable.



Due to technical progress, all designs, specifications and components are subject to change without notice.

WWW.SAMTEC.COM