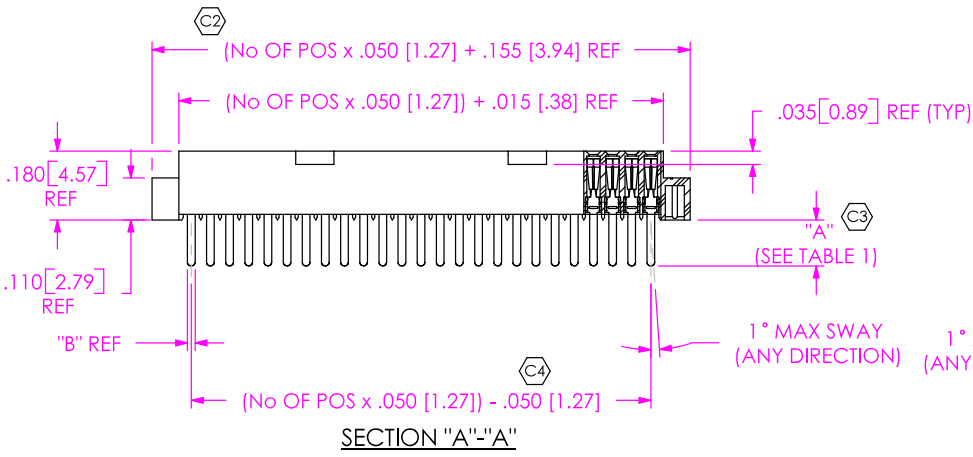
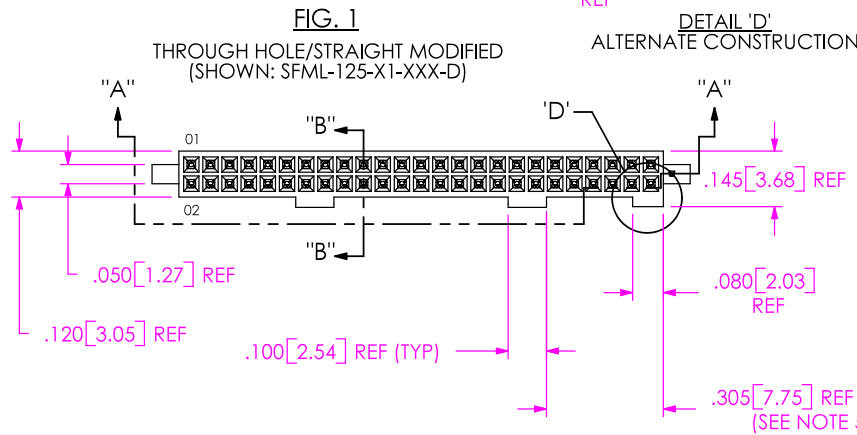


TABLE 1		
STYLE	"A"	"B"
-X1	.120 [3.05]	.020 [.51]
-X3	.075 [1.91]	.016 [.41]

DO NOT SCALE FROM THIS PRINT

# SFML-1XX-XX-XXX-D-XX



No OF POSITIONS  
-10 THRU -50  
(PER ROW)

- LEAD STYLE**
- 01: THROUGH HOLE (USE C-44-01-XXX, SEE FIG 1, SHT 1)
  - 02: SURFACE MOUNT (USE C-44-02-XXX, SEE FIG 3, SHT 2)
  - 03: STRAIGHT MODIFIED (USE C-44-03-XXX, SEE FIG 1, SHT 1)
  - L1: THROUGH HOLE (LOW INSERTION) (USE C-61-01-XXX, SEE FIG 1, SHT 1)
  - L2: SURFACE MOUNT (LOW INSERTION) (USE C-61-02-XXX, SEE FIG 3, SHT 2)
  - L3: STRAIGHT MODIFIED (LOW INSERTION) (USE C-61-03-XXX, SEE FIG 1, SHT 1)
  - T1: THROUGH HOLE (PHOS BRONZE) (USE C-119-01-XXX, SEE FIG 1, SHT 1)
  - T2: SURFACE MOUNT (PHOS BRONZE) (USE C-119-02-XXX, SEE FIG 3, SHT 2)

\* = NOT RELEASED FOR PRODUCTION

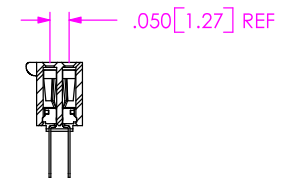
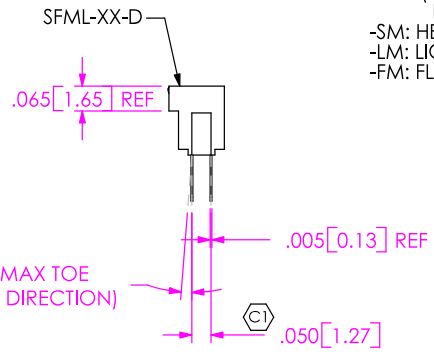
- OPTIONS**
- (LEAVE BLANK FOR STANDARD AND USE SFML-XX-D)
  - A: ALIGNMENT PIN (USE SFML-XX-D-A) (SEE FIG 5, SHT 3)
  - LC: LOCKING CLIP (SEE FIG 7, SHT 3) (USE (2) LC-05-TM & SFML-XX-D)
  - P: PICK & PLACE PAD (SEE FIG 6, SHT 3) (USE PPP-02)
  - TR: TAPE & REEL PACKAGING (SEE FIG 2, SHT 1)
  - K: POLYAMIDE FILM PAD (USE K-500-300) (SEE FIG 4, SHT. 2)
  - \* -SN: SOLDER NAIL (USE SFML-XX-D-SN & WT-27-01-T) (SEE FIG 8, SHT 4) (AVAILABLE ON -X2 LEAD STYLES ONLY)

**ROW SPECIFICATION**

- D: DOUBLE ROW (USE SFML-XX-D-X)

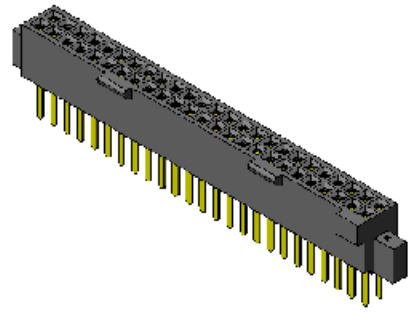
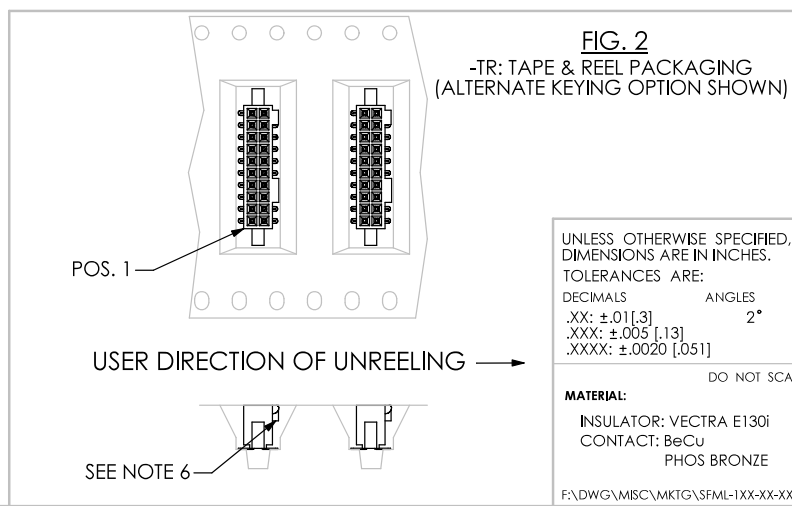
**PLATING SPECIFICATION**

- S: SELECTIVE
- P: GOLD FLASHED PALLADIUM NICKEL
- F: FLASH SELECTIVE GOLD
- H: HEAVY GOLD
- L: LIGHT SELECTIVE GOLD
- STL: SELECTIVE GOLD/TIN-LEAD (ONLY AVAILABLE ON -02 AND -L2 LEADSTYLES)
- SM: HEAVY SELECTIVE GOLD, MATTE TIN TAIL
- LM: LIGHT SELECTIVE GOLD, MATTE TIN TAIL
- FM: FLASH SELECTIVE GOLD, MATTE TIN TAIL



**NOTES:**

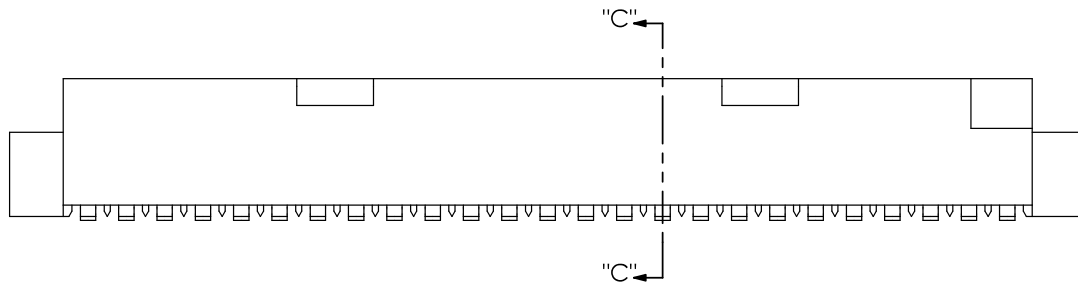
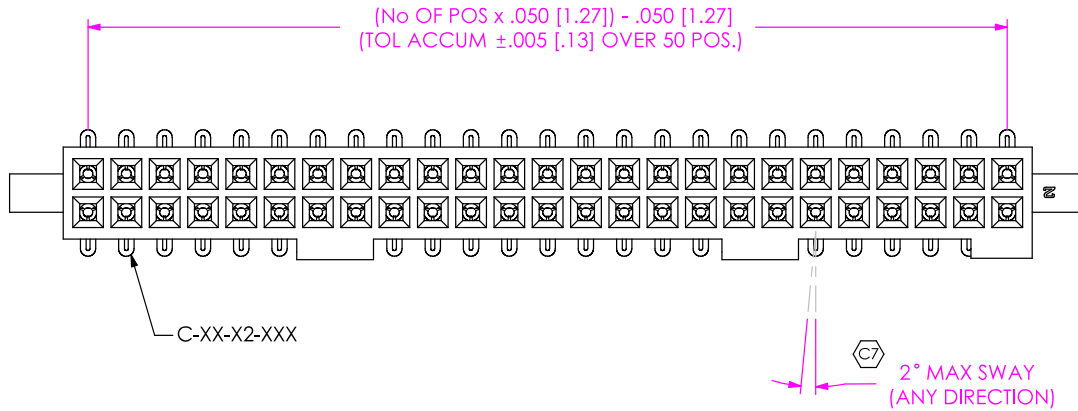
1. (C1) REPRESENTS A CRITICAL DIMENSION.
2. COPLANARITY: .004 [.10] FOR POS. 10 THRU 26  
.006 [1.5] FOR POS. 27 THRU 50
3. MINIMUM PUSHOUT FORCE: .5 LB.
4. MAXIMUM ALLOWABLE BOW: .002 INCH/INCH [MM/MM] AFTER ASSEMBLY.
5. POSITIONS -10 THROUGH -24 WILL HAVE ONLY ONE CLIP AT DIMENSION SHOWN; POSITIONS -25 THROUGH -34 WILL HAVE TWO CLIPS AT DIMENSION SHOWN; POSITIONS -35- THROUGH -50 WILL HAVE THREE CLIPS: TWO AT DIMENSION SHOWN & ONE CENTERED ON INSULATOR.
6. SEE NOTCH FOR PROPER ORIENTATION.
7. PINS CAN BE ORIENTED IN ANY DIRECTION; BOTH ROWS MUST FACW SAME WAY.
8. MAXIMUM PIN HEIGHT VARIATION BETWEEN ANY TWO ROWS: .003[.08].
9. TUBE PARTS WITH NOTCH TOWARD ARROW.



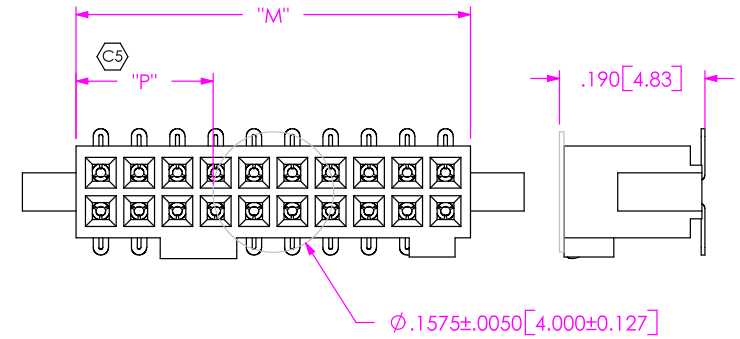
UNLESS OTHERWISE SPECIFIED, DIMENSIONS ARE IN INCHES. TOLERANCES ARE: DECIMALS ANGLES .XX: ±.01[.3] .XXX: ±.005 [.13] .XXXX: ±.0020 [.051]		<b>PROPRIETARY NOTE</b> THIS DOCUMENT CONTAINS INFORMATION CONFIDENTIAL AND PROPRIETARY TO SAMTEC, INC. AND SHALL NOT BE REPRODUCED OR TRANSFERRED TO OTHER DOCUMENTS OR DISCLOSED TO OTHERS OR USED FOR ANY PURPOSE OTHER THAN THAT WHICH IT WAS OBTAINED WITHOUT THE EXPRESSED WRITTEN CONSENT OF SAMTEC, INC.	
MATERIAL: INSULATOR: VECTRA E130I CONTACT: BeCu PHOS BRONZE		DO NOT SCALE DRAWING SHEET SCALE: 2:1	
F:\DWG\MISC\MKTG\SFML-1XX-XX-XXX-D-XX-MKT.SLDDRW		DESCRIPTION: .050 [1.27] x .050 [1.27] LOCKING SOCKET ASSEMBLY	
		DWG. NO. <b>SFML-1XX-XX-XXX-D-XX</b>	
		BY: BRATCHER 4/19/99 SHEET 1 OF 4	

**SAMTEC**  
520 PARK EAST BLVD, NEW ALBANY, IN 47150  
\* PHONE: 812.944.6733 FAX: 812.948.5047  
e-Mail: [INFO@SAMTEC.COM](mailto:INFO@SAMTEC.COM) CODE: 55322

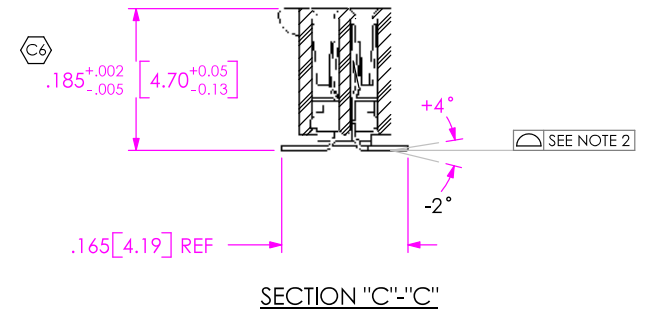
**FIG. 3**  
 -X2: SURFACE MOUNT  
 (SAME AS FIG. 1, UNLESS OTHERWISE STATED)



**FIG. 4**  
 -K: POLYAMIDE FILM PAD OPTION  
 (SHOWN: SFML-110-X2-X-D-K)  
 (ALTERNATE CONSTRUCTION SHOWN)



NOTE:  
 "M" = USED MEASURED DIMENSION (REF)  
 "P" =  $\{("M" - .1575 [4.000]) / 2\} \pm .020 [.51]$



F:\DWG\MISC\MKTG\SFML-1XX-XX-XXX-D-XX-MKT.SLDDRW

**PROPRIETARY NOTE**  
 THIS DOCUMENT CONTAINS INFORMATION CONFIDENTIAL AND PROPRIETARY TO SAMTEC, INC. AND SHALL NOT BE REPRODUCED OR TRANSFERRED TO OTHER DOCUMENTS OR DISCLOSED TO OTHERS OR USED FOR ANY PURPOSE OTHER THAN THAT WHICH IT WAS OBTAINED WITHOUT THE EXPRESSED WRITTEN CONSENT OF SAMTEC, INC.

DO NOT SCALE DRAWING

SHEET SCALE: 4:1

**SAMTEC**

520 PARK EAST BLVD, NEW ALBANY, IN 47150  
 \* PHONE: 812.944.6733 FAX: 812.948.5047  
 e-Mail: [INFO@SAMTEC.COM](mailto:INFO@SAMTEC.COM) CODE: 55322

DESCRIPTION:  
 .050 [1.27] x .050 [1.27] LOCKING SOCKET ASSEMBLY

DWG. NO.  
**SFML-1XX-XX-XXX-D-XX**

BY: BRATCHER 4/19/99 SHEET 2 OF 4

FIG. 5

-A: ALIGNMENT PIN OPTION  
(SAME AS FIG. 1, UNLESS OTHERWISE STATED)  
(ALTERNATE CONSTRUCTION SHOWN)

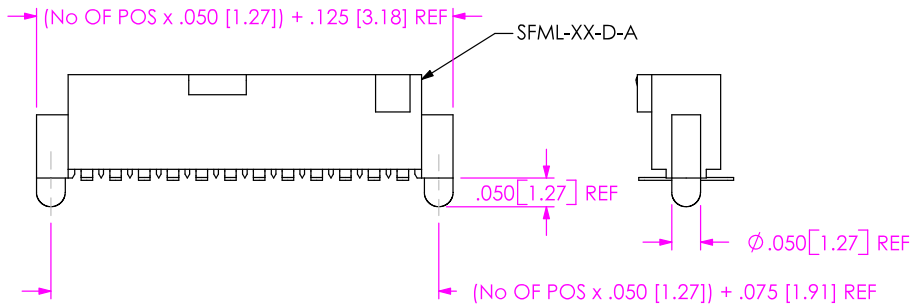
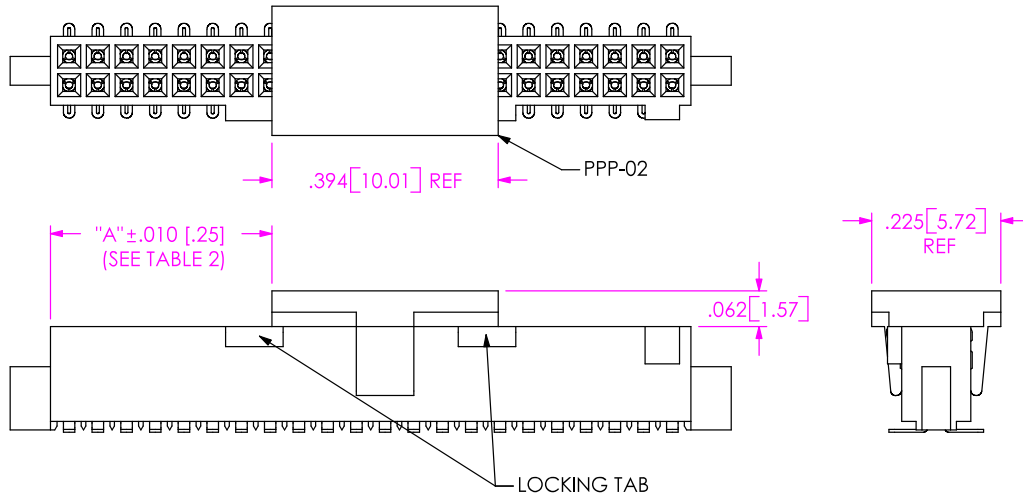


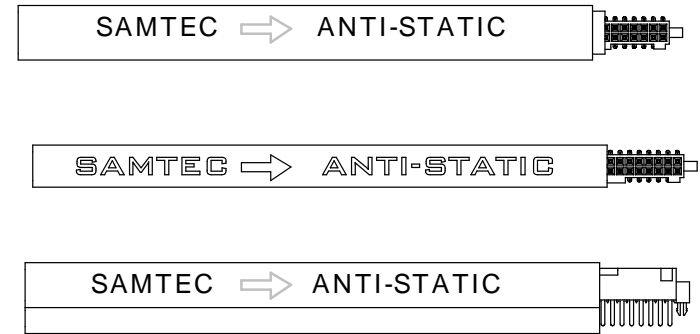
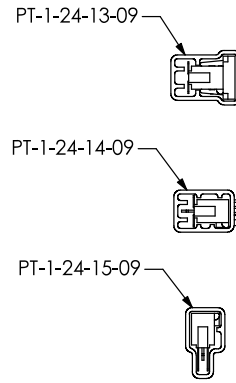
FIG. 6

-P: PICK & PLACE PAD OPTION  
(SAME AS FIG. 1, UNLESS OTHERWISE STATED)  
(ALTERNATE CONSTRUCTION SHOWN)



POS.	"A"
ODD ABOVE -19	{(No OF POS x .050 [1.27]) / 2} -.1895 [4.813]
EVEN ABOVE -18	{(No OF POS x .050 [1.27]) / 2} -.2145 [5.448]
-10	.086 [2.18]
-11	.136 [3.45]
-12	.186 [4.72]
-13	.236 [5.99]
-14	.286 [7.26]
-15	.086 [2.18]
-16	.136 [3.45]
-17	.186 [4.72]
-18	.236 [5.99]
-19	.286 [7.26]

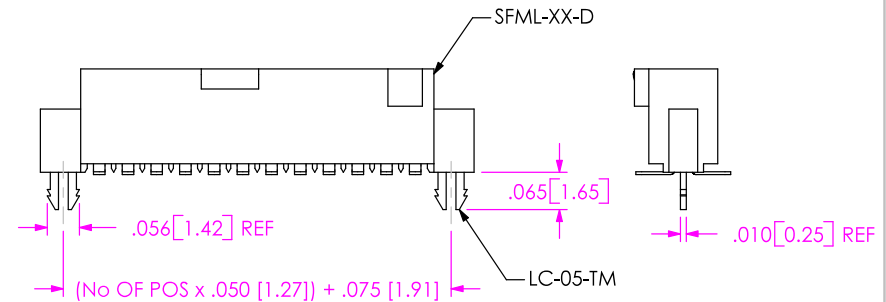
PACKAGE PARTS IN TUBES AS SHOWN  
(SEE NOTE 9)



LEAD STYLE	PACKAGING TUBE	PLUG
-X1-X, -X3-X (NO PAD)	PT-1-24-15-09	TP-24-02
-X1-X-P (W/ P&P PAD)	PT-1-24-02-17	TP-09
-X2-X (NO P&P PAD)	PT-1-24-14-09	TP-24-02
-X2-X-P, -X3-X-P (W/ P&P PAD)	PT-1-24-13-09	TP-24
-X1-K	PT-1-24-13-09	TP-24

FIG. 7

-LC: LOCKING CLIP OPTION  
(SAME AS FIG. 1, UNLESS OTHERWISE STATED)  
(ALTERNATE CONSTRUCTION SHOWN)



F:\DWG\MISC\MKTG\SFML-1XX-XX-XXX-D-XX-MKT.SLDDRW

PROPRIETARY NOTE

THIS DOCUMENT CONTAINS INFORMATION CONFIDENTIAL AND PROPRIETARY TO SAMTEC, INC. AND SHALL NOT BE REPRODUCED OR TRANSFERRED TO OTHER DOCUMENTS OR DISCLOSED TO OTHERS OR USED FOR ANY PURPOSE OTHER THAN THAT WHICH IT WAS OBTAINED WITHOUT THE EXPRESSED WRITTEN CONSENT OF SAMTEC, INC.

DO NOT SCALE DRAWING

SHEET SCALE: 3:1

**SAMTEC**

520 PARK EAST BLVD, NEW ALBANY, IN 47150  
\* PHONE: 812.944.6733 FAX: 812.948.5047  
e-Mail: [INFO@SAMTEC.COM](mailto:INFO@SAMTEC.COM) CODE: 55322

DESCRIPTION:  
.050 [1.27] x .050 [1.27] LOCKING SOCKET ASSEMBLY

DWG. NO.

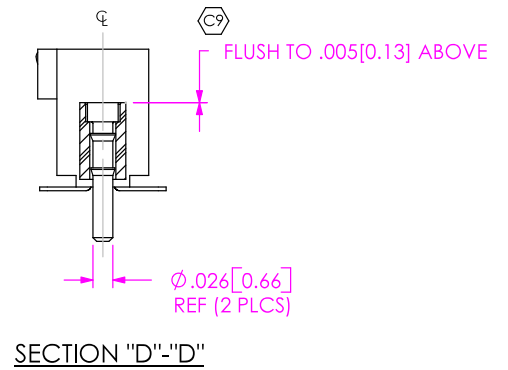
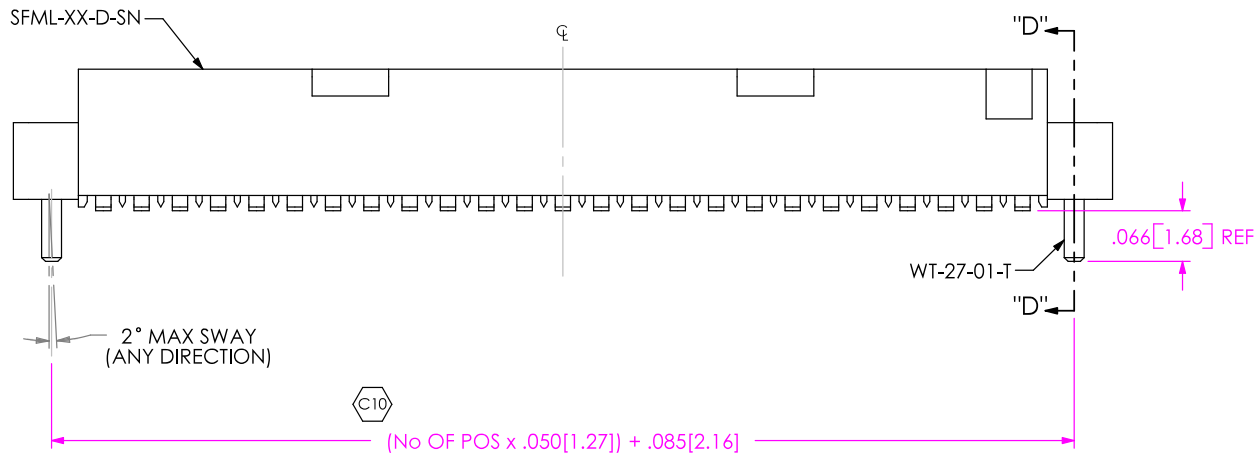
**SFML-1XX-XX-XXX-D-XX**

BY: BRATCHER 4/19/99

SHEET 3 OF 4

FIG. 8

\* -SN: SOLDER NAIL OPTION  
 (SHOWN: SFML-125-02-XXX-D-SN  
 (SAME AS FIG. 1, UNLESS OTHERWISE STATED)  
 (ONLY AVAILABLE ON -X2 LEAD STYLES)  
 \* = NOT RELEASED FOR PRODUCTION



**PROPRIETARY NOTE**  
 THIS DOCUMENT CONTAINS INFORMATION  
 CONFIDENTIAL AND PROPRIETARY TO  
 SAMTEC, INC. AND SHALL NOT BE REPRODUCED  
 OR TRANSFERRED TO OTHER DOCUMENTS OR  
 DISCLOSED TO OTHERS OR USED FOR ANY  
 PURPOSE OTHER THAN THAT WHICH IT WAS  
 OBTAINED WITHOUT THE EXPRESSED WRITTEN  
 CONSENT OF SAMTEC, INC.

DO NOT SCALE DRAWING  
 SHEET SCALE: 4:1

**SAMTEC**

520 Park East Blvd. New Albany, IN 47151  
 Phone (812) 944-6733 Fax (812) 948-5047  
 e-Mail: [INFO@SAMTEC.COM](mailto:INFO@SAMTEC.COM) CODE: 55322

DESCRIPTION:  
 .050 [1.27] x .050 [1.27] LOCKING SOCKET ASSEMBLY

DWG. NO.  
**SFML-1XX-XX-XXX-D-XX**

BY: BRATCHER 4/19/99 SHEET 4 OF 4