

REV. N

-D (DOUBLE END)

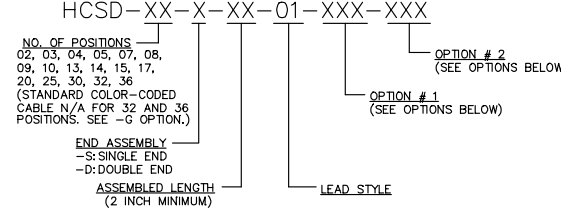
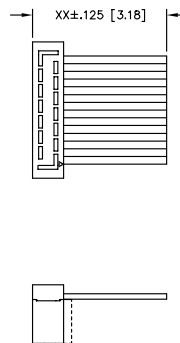
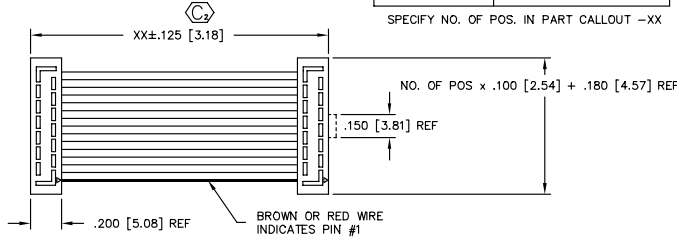
| TABLE 1 | |
|---------------|---------------------|
| 1 | 2 |
| HCS-D-XX-01-X | CB-XX-28-7/36-050-C |

SPECIFY NO. OF POS. IN PART CALLOUT -XX

-S (SINGLE END)
SAME AS -D UNLESS OTHERWISE SHOWN

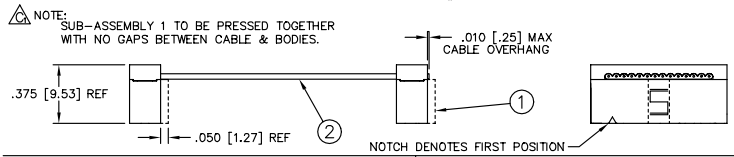
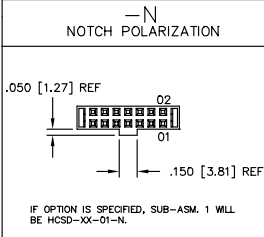
DIMENSIONS ARE IN INCHES UNLESS OTHERWISE NOTED TOLERANCES ARE:
 ONE PLACE DECIMALS ± .1 THREE PLACE DECIMALS ± .005 ANGLES ± 1°
 TWO PLACE DECIMALS ± .01 FOUR PLACE DECIMALS ± .0020

TITLE: .100 C.L. MOLD TO POS. DOUBLE ROW, FEMALE HCS-D-XX-X-XX-01-XXX-XXX ASSEMBLY
 DWG NO: HCS-D-XX-X-XX-01-XXX-XXX SHEET 1 OF 1

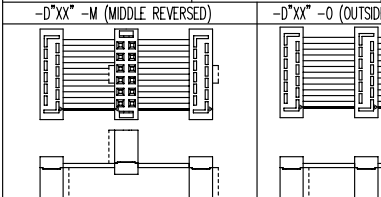
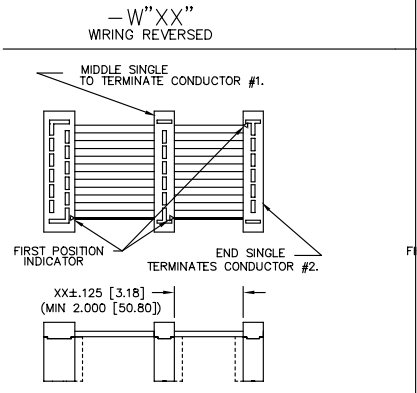
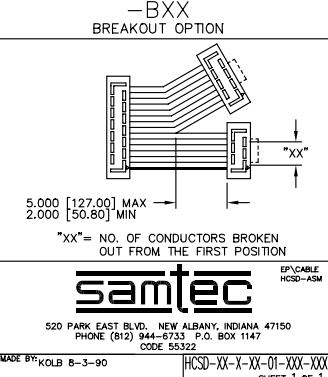
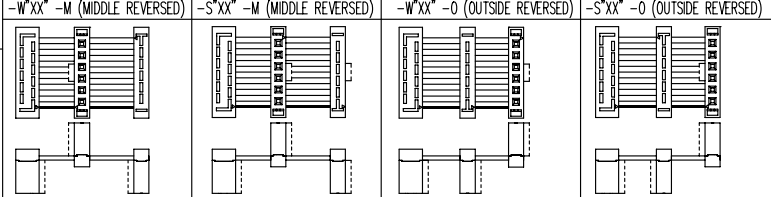
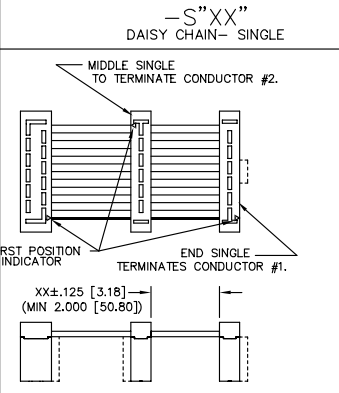
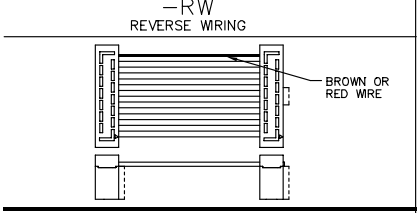
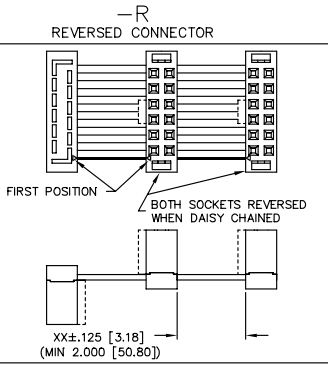
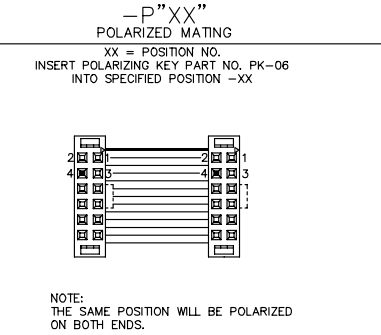
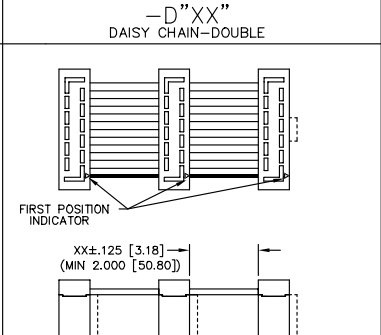
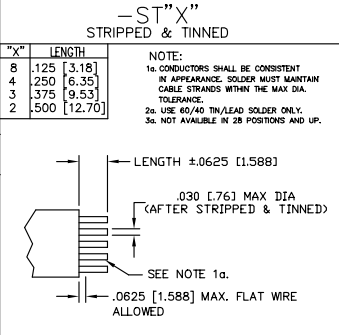
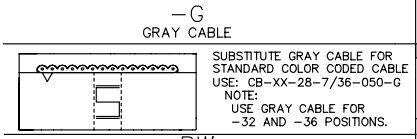


PLATING

-T = .000150 BRIGHT ACID TIN ON ENTIRE CONTACT. (USE HCS-D-XX-01-TX)
 (STANDARD PLATING IS .000150 BRIGHT ACID TIN, EXCEPT CONTACT AREA IS .000010 Au. - USE HCS-D-XX-01-SX)



- NOTES:
 1. HIDDEN LINES ARE USED TO SHOW POLARIZATION WHEN USING -N OPTION
 2. (C) REPRESENTS CRITICAL DIMENSION.
 3. ALL ASSEMBLIES TO BE 100% ELECTRICALLY TESTED FOR SHORTS AND OPENS.
 4. ALL ASSEMBLIES TO BE 100% HI-POT TESTED AT 1000V.



MATERIAL:
 INSULATORS: BLACK LIQUID CRYSTAL POLYMER
 CABLE: GRAY PVC CABLE
 CONTACT: PHOSPHOR BRONZE

Do not scale from this print

PROPRIETARY NOTE
 THIS DOCUMENT CONTAINS INFORMATION CONFIDENTIAL AND PROPRIETARY TO SAMTEC INC. AND IS LOANED TO YOU BY SAMTEC INC. FOR YOUR USE ONLY. IT IS NOT TO BE REPRODUCED OR TRANSMITTED IN ANY FORM OR BY ANY MEANS, ELECTRONIC OR MECHANICAL, INCLUDING PHOTOCOPYING, RECORDING, OR BY ANY INFORMATION STORAGE AND RETRIEVAL SYSTEM, WITHOUT THE EXPRESS AND WRITTEN CONSENT OF SAMTEC INC.