

-----Original Message-----

From: Richard Cornell [<mailto:Richard.Cornell@samtec.com>]

Sent: Wednesday, October 07, 2009 12:20 PM

To: CustEN

Subject: Samtec Engineering Change Notification - Drawings Attached

<<Cad.zip>>

ECN Number: 117129

Part #: MMCX-J-P-X-ST-TH1

Date of Change: 10/05/09ECN Changes:

NOTE 4: CHG "IF QTY IS LESS THAN HALF TRAY, PARTS TO BE PACKAGED IN COHESIVE FOAM" TO "SEE CO-HD-WI-3040-M RF PACKAGING FOR PACKAGING INSTRUCTIONS", "QUANTITIES LESS THAN A FULL TRAY WILL NOT BE PACKAGED IN TRAYS".

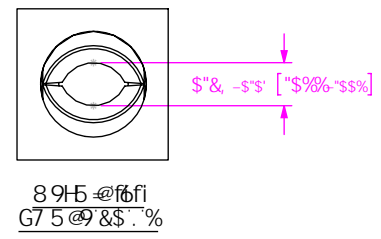
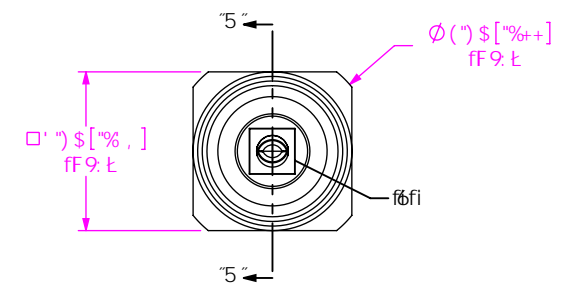
For inquiries concerning this notification please contact the Customer Service ECN group at customerserviceECN@samtec.com

PROPRIETARY NOTE:

The enclosed documents contain information confidential and proprietary to Samtec, Inc. and shall not be reproduced or transferred to other documents or disclosed to others without the expressed written consent of Samtec, Inc.

897 B98 / 8-A 9BGCB98
 B A @A 9HFGB7 <9G

A A 7 L!>D!L!GHK %



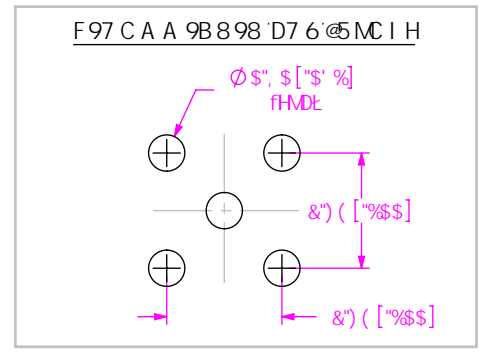
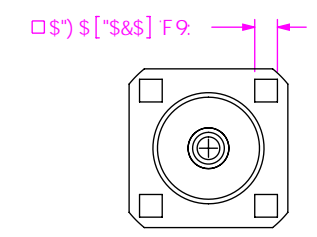
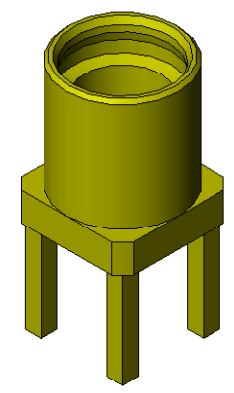
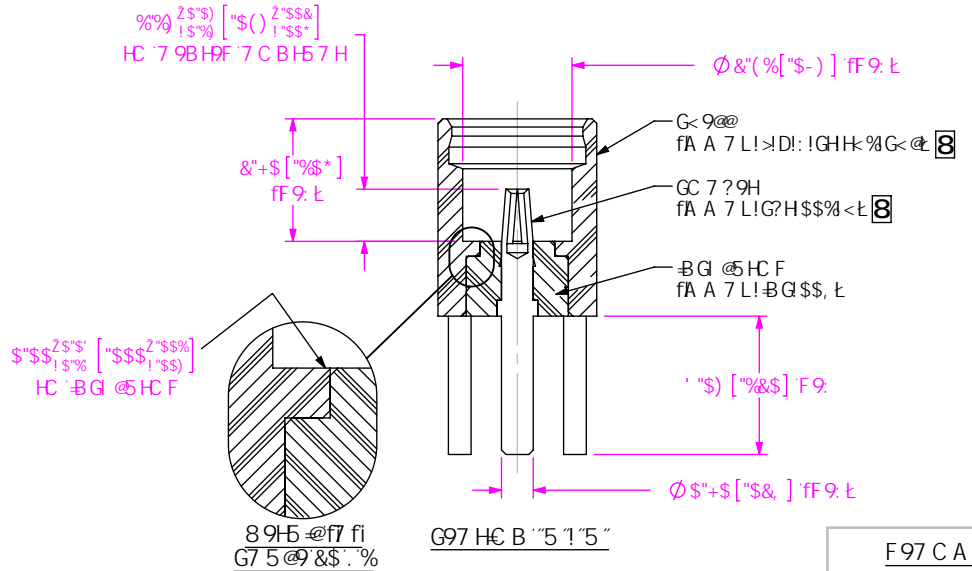
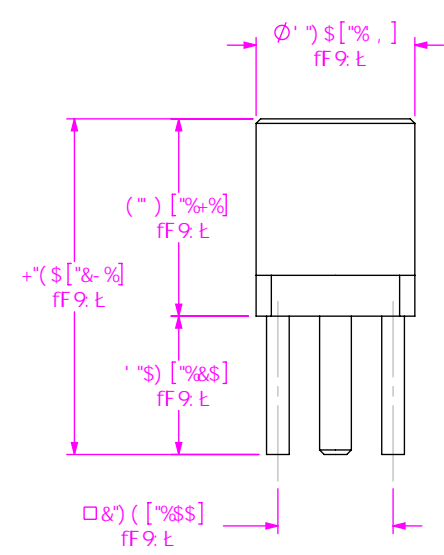
: 9B89F
 !> >57?

HMD9
 ID. D7 6

HFA B5HC B
 !Hk % HkFC1 ; <'<C @

CF 9BHBHC B
 !GH GF5 < H

D@HB : GD97 = 7 5HC B
 !< : <95J M; C @ B 7 C B H 5 7 H
 5F95Z : @G< ; C @ C B
 65 @ B 7 9



BC HG

%.....F9DF9G9BHG5 7F#7 5@8-A 9BGC B"
 &"DI G<CI H: CF7 9: CF BG @5HC F. &&(& B'O @6OA B"
 ' "DI G<CI H: CF7 9: CF 7 9BH9F 7 C BH57 H %8%& B Q) @6OA B"
 (" D5FHGH C 69D57 7 5: 98 B HF5MG/ = E I 5B #M-G @9GHK 5B <5 @
 ...HF5M/D5FHGH C 69D57 7 5: 98 B 7 C <9GJ 9: C 5A "
)" Fc<g7 CA D@5BH

<p>I B @9G C H 9F K 69 GD97 = 98 Z 8-A 9BGC B G 5 F 9-B A @A 9HFGB7 <9G HC @F 5 B 7 9G 5 F 9.</p> <p>897 A 5 @G "L. ±\$% OS\$)O &" "LL. ±\$% OS\$)O "LLL. ±\$% OS\$)O</p>	<p>DFC DF 9H5 FMBC H H: @8C 71 A 9B H 7 C B H 6 B G B: CFA 5HC B 7 C B: @9B H 5 @5 B 8 DFC DF 9H5 FMBC G5A H7 Z B 7 * 5 B 8 G: 5 @B C H 6 F 9 DFC B1 7 9 B C F H 5 B G 9 F 9 B H C H 9 F B C 71 A 9 B H C F B 47 @C 9 B H C H 9 F G C F I 9 B : C F 5 B M DI FDC @9 C H 9 F H 5 B H 5 H K < 7 < H K 5 G C 6 H 5 9 B K H C I H H 9 9 L D F 9 G 9 B K F H H B 7 C B 9 B H C: G5A H7 Z B 7 "</p>	<p>89G7 F @HC B. A A 7 L!>D!L!GHK % 8K : "BC" A A 7 L!>D!L!GHK % 6M F A I GG9F %8/# \$#&\$\$+ G<99H% C : %</p>
<p>8 A SHF 5 @ B C B C H G 7 5 @ 8 F 5 K B: G: 99H G 7 5 @ 9 * % G: 9 @ 6: 6 F 5 G G 7 * * \$ (6 B G @5HC F: DH 9 F K < + H L G C 7 7 9 H: 6 Y 7 I 7 %' S S</p>	<p>: .P8K : PA @7 PA ?H PA A 7 L!>D!L!GHK: 9A ?H @ 8 B F K</p>	<p>89G7 F @HC B. A A 7 L!>D!L!GHK % 8K : "BC" A A 7 L!>D!L!GHK % 6M F A I GG9F %8/# \$#&\$\$+ G<99H% C : %</p>

- <SAMTEC_PCN_PARTS_AFFECTED>
<PART NAME="MMCX-CAP-001-F" />
<PART NAME="MMCX-CAP-001-F-.HZCH" />
<PART NAME="MMCX-FER-001" />
<PART NAME="MMCX-FER-001-.HZCH" />
<PART NAME="MMCX-INS-001" />
<PART NAME="MMCX-INS-001-.HZCH" />
<PART NAME="MMCX-INS-008" />
<PART NAME="MMCX-INS-008-.HZCH" />
<PART NAME="MMCX-J-P-F-ST-EM1-SHL" />
<PART NAME="MMCX-J-P-F-ST-SM1-SHL" />
<PART NAME="MMCX-J-P-F-ST-TH1-SHL" />
<PART NAME="MMCX-J-P-F-ST-TH1-SHL-.HZCH" />
<PART NAME="MMCX-J-P-H-RA-SM1" />
<PART NAME="MMCX-J-P-H-RA-TH1" />
<PART NAME="MMCX-J-P-H-ST-EM1" />
<PART NAME="MMCX-J-P-H-ST-EM1-SHL" />
<PART NAME="MMCX-J-P-H-ST-MT1" />
<PART NAME="MMCX-J-P-H-ST-SM1" />
<PART NAME="MMCX-J-P-H-ST-SM1-.HZCH" />
<PART NAME="MMCX-J-P-H-ST-SM1-K" />
<PART NAME="MMCX-J-P-H-ST-SM1-K-TR" />
<PART NAME="MMCX-J-P-H-ST-SM1-SHL" />
<PART NAME="MMCX-J-P-H-ST-SM1-SKT" />
<PART NAME="MMCX-J-P-H-ST-SM1-TR" />
<PART NAME="MMCX-J-P-H-ST-TH1" />
<PART NAME="MMCX-J-P-ST-SM1-INS" />
<PART NAME="MMCX-J-P-X-ST-EM1-SHL" />
<PART NAME="MMCX-J-P-X-ST-SM1-SHL" />
<PART NAME="MMCX-J-P-X-ST-TH1-SHL" />
<PART NAME="MMCX-J-P-X-ST-TH1-SHL-.HZCH" />
<PART NAME="MMCX-P-C-H-RA-CA1" />
<PART NAME="MMCX-P-C-H-RA-CA2" />
<PART NAME="MMCX-P-C-H-ST-CA1" />
<PART NAME="MMCX-P-C-H-ST-CA2" />
<PART NAME="MMCX-P-C-HN-ST-CA1" />
<PART NAME="MMCX-P-C-HN-ST-CA2" />
<PART NAME="MMCX-P-P-H-RA-SM1" />
<PART NAME="MMCX-P-P-H-RA-TH1" />
<PART NAME="MMCX-P-P-H-ST-EM1" />
<PART NAME="MMCX-P-P-H-ST-MT1" />
<PART NAME="MMCX-P-P-H-ST-SM1" />
<PART NAME="MMCX-P-P-H-ST-TH1" />
<PART NAME="MMCX-P-P-H-ST-TH1-.F/H" />
<PART NAME="MMCX-PIN-001-H" />
<PART NAME="MMCX-PIN-001-H-.HZCH" />
<PART NAME="MMCX-PIN-002-H" />
<PART NAME="MMCX-PIN-002-H-.HZCH" />
<PART NAME="MMCX-SKT-001-H" />
<PART NAME="MMCX-SKT-001-X" />
<PART NAME="MMCX-SKT-001-X-.HZCH" />
</SAMTEC_PCN_PARTS_AFFECTED>