

-----Original Message-----

From: Richard Cornell [<mailto:Richard.Cornell@samtec.com>]

Sent: Monday, December 29, 2008 1:17 PM

To: CustEN

Subject: Samtec Engineering Change Notification - Drawings Attached

<<Cad.zip>>

ECN Number: 102657

Part #: QTE-XXX-01-X-D-DP-EMX-XX

Date of Change: 12/26/08ECN Changes:

SHT 1, PLATING SPECIFICATION: CHG "-L: LIGHT SELECTIVE GOLD" TO "-L:
LIGHT

SELECTIVE GOLD WITH MATTE TIN TAILS"; CHG "-F: FLASH SELECTIVE GOLD"
TO

"-F: FLASH SELECTIVE GOLD WITH MATTE TIN TAILS"; NOTE 6: REMOVE "-G
PLATING

CAN BE SUBSTITUTED FOR -F PLATING GROUND PLANE".

For inquiries concerning this notification please contact the Customer
Service ECN group at customerserviceECN@samtec.com

PROPRIETARY NOTE:

The enclosed documents contain information confidential and proprietary
to

Samtec, Inc. and shall not be reproduced or transferred to other
documents

or disclosed to others without the expressed written consent of Samtec,
Inc.

TABLE 1					
EDGE MOUNT THICKNESS	"A"	"B"	"C"	BODY	CONTACT
-EM2	.130[3.30]	.0670[1.702]	.058[1.47]	QTE-20-01-D-EM2-XX	T-1S42-01-X
*-EM3	.160[4.06]	.0980[2.489]	.088[2.24]	QTE-20-01-D-EM3-XX	T-1S42-02-X

* = SEE NOTE 11

DO NOT SCALE FROM THIS PRINT

QTE-XXX-01-X-D-DP-EMX-XX

No OF POSITIONS
-014, -028, -042
**-.056, **-.070
(PER ROW)
**SEE NOTE 12

LEAD STYLE
-01: .1680 [4.267]

OPTION
-GP: GUIDE POST
(USE QTE-20-01-D-EMX-XX-GP
(SEE FIG. 2, SHEET 2)

EDGE MOUNT THICKNESS
-EM2: .064[1.63] +/- .004 PCB
(USE QTE-20-01-D-EM2-XX & T-1S42-01-X)
*-EM3:
(USE QTE-20-01-D-EM3-XX & T-1S42-02-X)

SEE NOTE 11

DIFFERENTIAL PAIR * = NOT ENGINEERING APPROVED

ROW SPECIFICATION
-D: DOUBLE (USE QTE-20-XX-D-EMX-XX)

PLATING SPECIFICATION
-F: FLASH SELECTIVE GOLD (USE T-1S42-XX-F & T-1G1-01-F)
(SEE NOTE 6)
-L: LIGHT SELECTIVE GOLD (USE T-1S42-XX-L & T-1G1-01-L)
-H: HEAVY GOLD (USE T-1S42-XX-H & T-1G1-01-G)

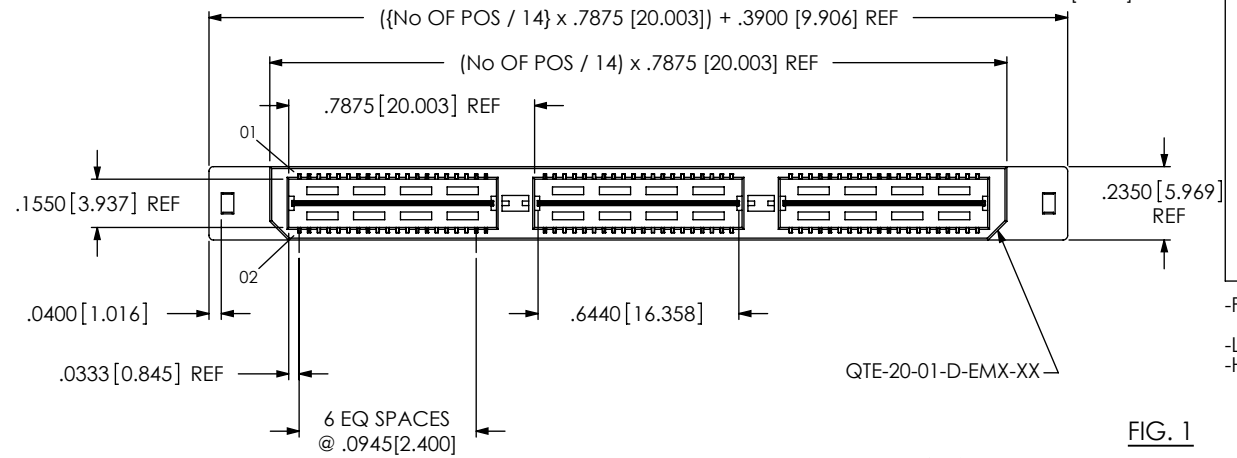
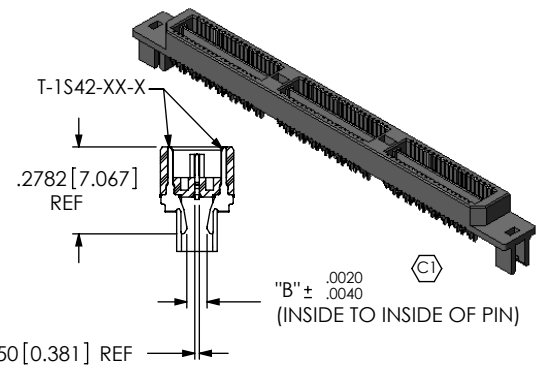
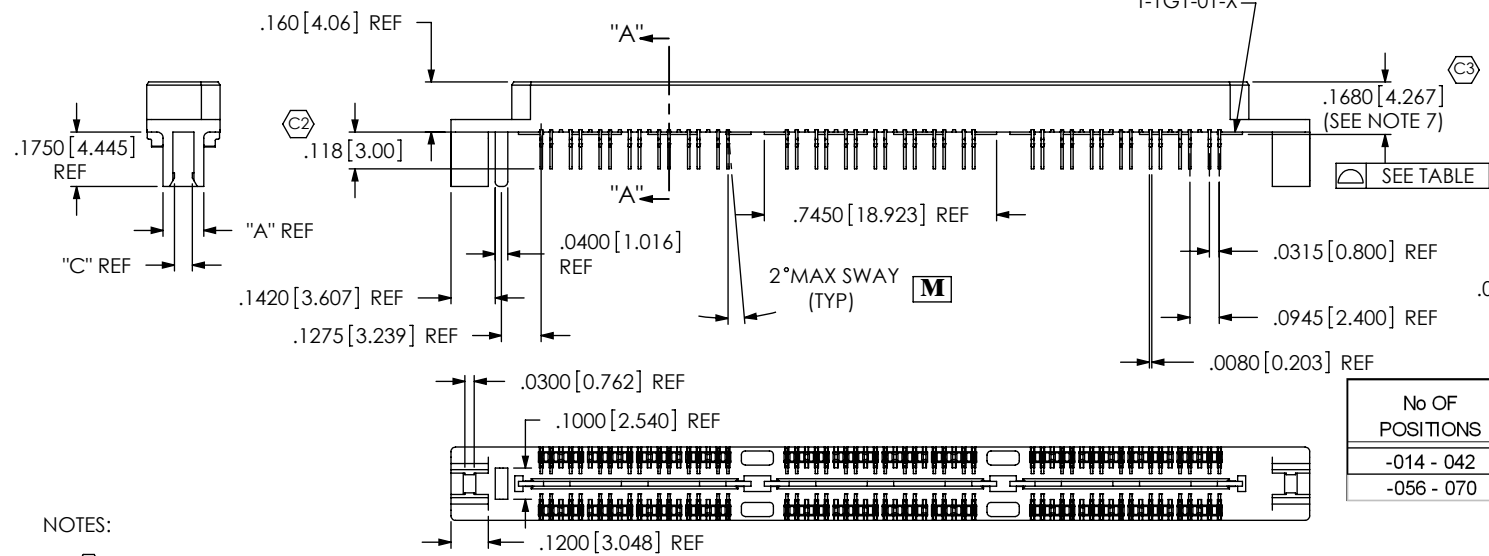


FIG. 1



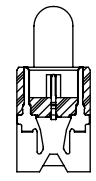
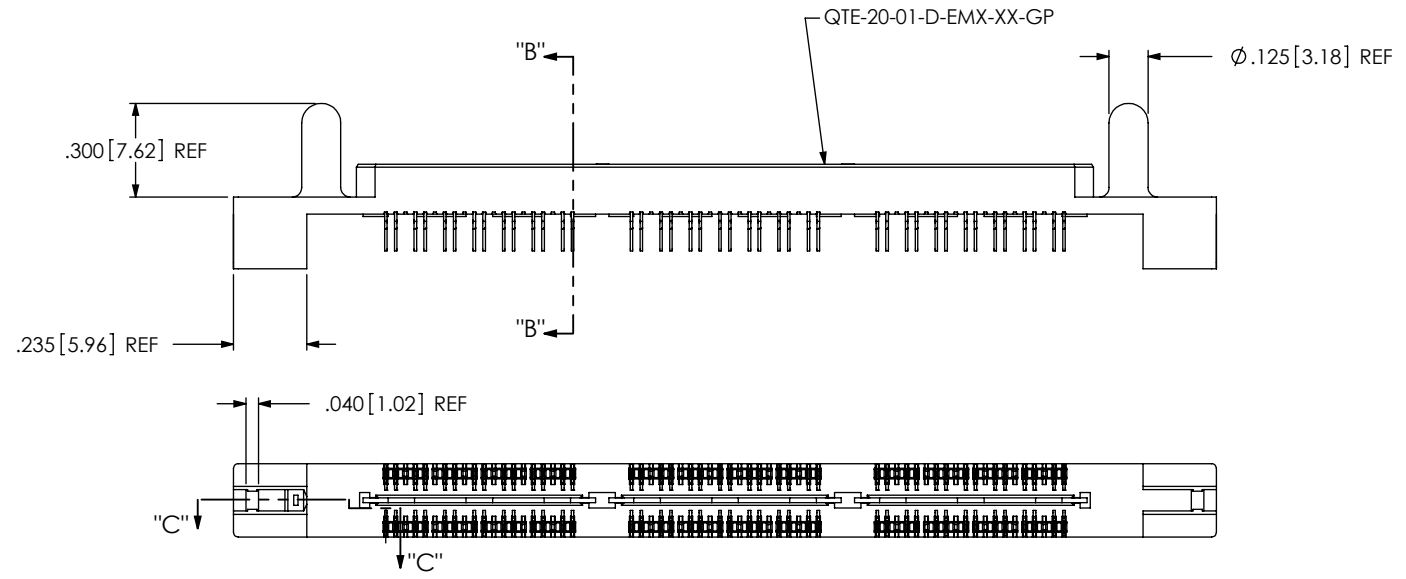
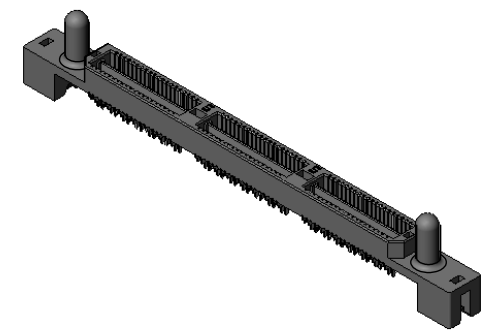
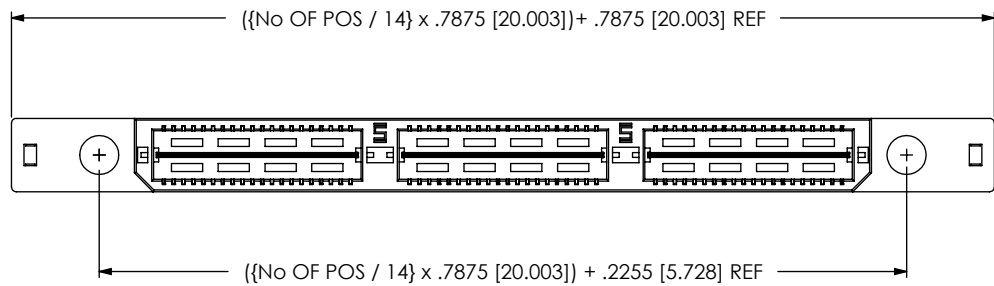
SECTION "A"- "A"

No OF POSITIONS	GND PLANE COPLANARITY	ASSEMBLY BOW
-014 - 042	.0040	.0040
-056 - 070	.0050	.0050

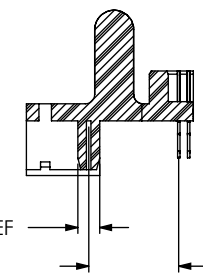
NOTES:

1. © REPRESENTS A CRITICAL DIMENSION.
2. BURR ALLOWANCE: .0015 [0.38] MAX.
3. MINIMUM TERMINAL RETENTION: 6 OZ.
4. MINIMUM GROUND PLANE RETENTION: 1 LB.
5. PARTS TO BE MOLD-TO-POSITION.
6. -L PLATING CAN BE SUBSTITUTED FOR -F PLATING. -G PLATED GROUND PLANE CAN BE SUBSTITUTED FOR -F GROUND PLANE.
7. MAX VARIANCE OF .002 [0.5].
8. NOTE DELETED.
9. BOARD THICKNESS TO BE MEASURED FROM SOLDER PAD TO SOLDER PAD.
10. http://www.samtec.com/processing/edgemt_tectalk/index.htm FOR INFORMATION ON PROCESSING EM PARTS.
11. -EM3 IS NOT A STANDARD OFFERING; AVAILABLE AS AN ASP ONLY. PLEASE CONTACT SAMTEC INTERCONNECT PROCESSING GROUP WITH ORDER INQUIRIES
12. FOR NEW APPLICATIONS REQUIRING THESE POSITIONS, PLEASE CONTACT SAMTEC INTERCONNECT PROCESSING GROUP.

<p>UNLESS OTHERWISE SPECIFIED, DIMENSIONS ARE IN INCHES.</p> <p>TOLERANCES ARE:</p> <table border="0"> <tr> <td>DECIMALS</td> <td>ANGLES</td> </tr> <tr> <td>.XX: ±.01 [3]</td> <td>2°</td> </tr> <tr> <td>.XXX: ±.005 [13]</td> <td></td> </tr> <tr> <td>.XXXX: ±.0020 [051]</td> <td></td> </tr> </table>	DECIMALS	ANGLES	.XX: ±.01 [3]	2°	.XXX: ±.005 [13]		.XXXX: ±.0020 [051]		<p>PROPRIETARY NOTE</p> <p>THIS DOCUMENT CONTAINS INFORMATION CONFIDENTIAL AND PROPRIETARY TO SAMTEC, INC. AND SHALL NOT BE REPRODUCED OR TRANSFERRED TO OTHER DOCUMENTS OR DISCLOSED TO OTHERS OR USED FOR ANY PURPOSE OTHER THAN THAT WHICH IT WAS OBTAINED WITHOUT THE EXPRESSED WRITTEN CONSENT OF SAMTEC, INC.</p>	<p>520 PARK EAST BLVD, NEW ALBANY, IN 47150 PHONE: 812-944-6733 FAX: 812-948-5047 e-Mail: info@SAMTEC.com code: 55322</p>
	DECIMALS	ANGLES								
.XX: ±.01 [3]	2°									
.XXX: ±.005 [13]										
.XXXX: ±.0020 [051]										
<p>MATERIAL: DO NOT SCALE DRAWING SHEET SCALE: 1.625:</p> <p>INSULATOR: LCP, COLOR: BLACK TERMINAL & GROUND PLANE: PHOS BRONZE</p>	<p>DESCRIPTION: .8mm HS EDGEMOUNT TERMINAL ASSEMBLY</p> <p>DWG. NO. QTE-XXX-01-X-D-DP-EMX-XX</p> <p>BY: KEVIN B 12/12/00 SHEET 1 OF 2</p>									

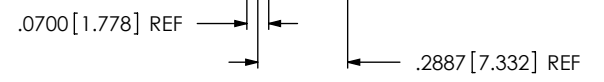


SECTION "B"-"B"



SECTION "C"-"C"

FIG. 2
-GP OPTION SHOWN
(SAME AS FIG. 1, UNLESS OTHERWISE STATED)



c:\enterprisevault\DWG\MISC\MKTG\QTE-XXX-01-X-D-DP-EMX-XX-MKT.SLDDRW

PROPRIETARY NOTE
THIS DOCUMENT CONTAINS INFORMATION CONFIDENTIAL AND PROPRIETARY TO SAMTEC, INC. AND SHALL NOT BE REPRODUCED OR TRANSFERRED TO OTHER DOCUMENTS OR DISCLOSED TO OTHERS OR USED FOR ANY PURPOSE OTHER THAN THAT WHICH IT WAS OBTAINED WITHOUT THE EXPRESSED WRITTEN CONSENT OF SAMTEC, INC.

DO NOT SCALE DRAWING

SHEET SCALE: 1.625:1



520 PARK EAST BLVD, NEW ALBANY, IN 47150
PHONE: 812-944-6733 FAX: 812-948-5047
e-Mail: info@SAMTEC.com code: 55322

DESCRIPTION:
.8mm HS EDMOUNT TERMINAL ASSEMBLY

DWG. NO.
QTE-XXX-01-X-D-DP-EMX-XX

BY: KEVIN B 12/12/00 SHEET 2 OF 2

- <SAMTEC_PCN_PARTS_AFFECTED>
<PART NAME="QTE-014-01-C-D-DP-A" />
<PART NAME="QTE-014-01-F-D-DP" />
<PART NAME="QTE-014-01-F-D-DP-A" />
<PART NAME="QTE-014-01-F-D-DP-A-K" />
<PART NAME="QTE-014-01-F-D-DP-A-K-TR" />
<PART NAME="QTE-014-01-F-D-DP-A-K-TY" />
<PART NAME="QTE-014-01-F-D-DP-A-RT1" />
<PART NAME="QTE-014-01-F-D-DP-A-RT1-.F/H" />
<PART NAME="QTE-014-01-F-D-DP-A-TR" />
<PART NAME="QTE-014-01-F-D-DP-EM2" />
<PART NAME="QTE-014-01-F-D-DP-LC" />
<PART NAME="QTE-014-01-H-D-DP" />
<PART NAME="QTE-014-01-H-D-DP-.F/H" />
<PART NAME="QTE-014-01-H-D-DP-A" />
<PART NAME="QTE-014-01-H-D-DP-A-.F/H" />
<PART NAME="QTE-014-01-H-D-DP-A-K" />
<PART NAME="QTE-014-01-H-D-DP-A-K-TR" />
<PART NAME="QTE-014-01-H-D-DP-A-RT1-.F/H" />
<PART NAME="QTE-014-01-H-D-DP-A-RT1-K" />
<PART NAME="QTE-014-01-H-D-DP-A-TR" />
<PART NAME="QTE-014-01-H-D-DP-EM2" />
<PART NAME="QTE-014-01-H-D-DP-EM2-.F/H" />
<PART NAME="QTE-014-01-L-D-DP" />
<PART NAME="QTE-014-01-L-D-DP-A" />
<PART NAME="QTE-014-01-L-D-DP-A-.F/H" />
<PART NAME="QTE-014-01-L-D-DP-A-GP" />
<PART NAME="QTE-014-01-L-D-DP-A-K" />
<PART NAME="QTE-014-01-L-D-DP-A-K-TR" />
<PART NAME="QTE-014-01-L-D-DP-A-TR" />
<PART NAME="QTE-014-01-L-D-DP-EM2" />
<PART NAME="QTE-014-01-L-D-DP-EM2-GP" />
<PART NAME="QTE-014-01-L-D-DP-LC" />
<PART NAME="QTE-014-01-L-D-DP-TR" />
<PART NAME="QTE-014-02-F-D-DP" />
<PART NAME="QTE-014-02-F-D-DP-A" />
<PART NAME="QTE-014-02-F-D-DP-A-K" />
<PART NAME="QTE-014-02-F-D-DP-A-K-TR" />
<PART NAME="QTE-014-02-F-D-DP-A-TR" />
<PART NAME="QTE-014-02-H-D-DP-A" />
<PART NAME="QTE-014-02-H-D-DP-A-K" />
<PART NAME="QTE-014-02-H-D-DP-A-K-TR" />
<PART NAME="QTE-014-02-L-D-DP-A" />
<PART NAME="QTE-014-02-L-D-DP-A-K" />
<PART NAME="QTE-014-02-L-D-DP-A-K-TR" />
<PART NAME="QTE-014-03-F-D-DP-A" />
<PART NAME="QTE-014-03-F-D-DP-A-K" />
<PART NAME="QTE-014-03-F-D-DP-A-K-TR" />
<PART NAME="QTE-014-03-F-D-DP-A-TR" />
<PART NAME="QTE-014-03-H-D-DP" />
<PART NAME="QTE-014-03-H-D-DP-A" />
<PART NAME="QTE-014-03-H-D-DP-A-K" />

<PART NAME="QTE-014-03-L-D-DP" />
<PART NAME="QTE-014-03-L-D-DP-A" />
<PART NAME="QTE-014-03-L-D-DP-A-K" />
<PART NAME="QTE-014-03-L-D-DP-A-K-TR" />
<PART NAME="QTE-014-03-L-D-DP-LC" />
<PART NAME="QTE-014-04-F-D-DP-A" />
<PART NAME="QTE-014-04-F-D-DP-A-TR" />
<PART NAME="QTE-014-04-L-D-DP" />
<PART NAME="QTE-014-04-L-D-DP-A" />
<PART NAME="QTE-014-04-L-D-DP-A-TR" />
<PART NAME="QTE-014-05-F-D-DP-A" />
<PART NAME="QTE-014-05-F-D-DP-A-K" />
<PART NAME="QTE-014-05-L-D-DP-A" />
<PART NAME="QTE-014-06-F-D-DP-A" />
<PART NAME="QTE-014-06-L-D-DP-A" />
<PART NAME="QTE-014-06-L-D-DP-A-K" />
<PART NAME="QTE-014-07-L-D-DP-A" />
<PART NAME="QTE-014-08-F-D-DP-A" />
<PART NAME="QTE-014-08-H-D-DP-A" />
<PART NAME="QTE-014-08-L-D-DP-A" />
<PART NAME="QTE-014-09-F-D-DP-A" />
<PART NAME="QTE-014-09-L-D-DP-A" />
<PART NAME="QTE-014-10-F-D-DP-A-K-TR" />
<PART NAME="QTE-014-10-L-D-DP-A" />
<PART NAME="QTE-014-10-L-D-DP-A-K" />
<PART NAME="QTE-014-10-L-D-DP-A-K-TR" />
<PART NAME="QTE-014-10-L-D-DP-A-TR" />
<PART NAME="QTE-020-01-C-D-A" />
<PART NAME="QTE-020-01-F-D" />
<PART NAME="QTE-020-01-F-D-A" />
<PART NAME="QTE-020-01-F-D-A-.F/H" />
<PART NAME="QTE-020-01-F-D-A-FL" />
<PART NAME="QTE-020-01-F-D-A-GP" />
<PART NAME="QTE-020-01-F-D-A-GP-K-TR" />
<PART NAME="QTE-020-01-F-D-A-K" />
<PART NAME="QTE-020-01-F-D-A-K-TR" />
<PART NAME="QTE-020-01-F-D-A-K-TR-.JABG" />
<PART NAME="QTE-020-01-F-D-A-K-TR-.JABIL" />
<PART NAME="QTE-020-01-F-D-A-K-TR-.R" />
<PART NAME="QTE-020-01-F-D-A-RT1" />
<PART NAME="QTE-020-01-F-D-A-RT1-.F/H" />
<PART NAME="QTE-020-01-F-D-A-SD" />
<PART NAME="QTE-020-01-F-D-A-TR" />
<PART NAME="QTE-020-01-F-D-EM2" />
<PART NAME="QTE-020-01-F-D-EM2-GP" />
<PART NAME="QTE-020-01-F-D-GP" />
<PART NAME="QTE-020-01-F-D-LC" />
<PART NAME="QTE-020-01-F-D-LC-.F/H" />
<PART NAME="QTE-020-01-F-D-LC-K-TR" />
<PART NAME="QTE-020-01-H-D-A" />
<PART NAME="QTE-020-01-H-D-A-.F/H" />
<PART NAME="QTE-020-01-H-D-A-GP" />

<PART NAME="QTE-020-01-H-D-A-K" />
<PART NAME="QTE-020-01-H-D-A-K-TR" />
<PART NAME="QTE-020-01-H-D-A-K-TR-.F/H" />
<PART NAME="QTE-020-01-H-D-A-K-TY" />
<PART NAME="QTE-020-01-H-D-A-RT1-.F/H" />
<PART NAME="QTE-020-01-H-D-A-TR" />
<PART NAME="QTE-020-01-H-D-A-TY" />
<PART NAME="QTE-020-01-H-D-EM2" />
<PART NAME="QTE-020-01-H-D-EM2-.F/H" />
<PART NAME="QTE-020-01-L-D" />
<PART NAME="QTE-020-01-L-D-A" />
<PART NAME="QTE-020-01-L-D-A-.F/H" />
<PART NAME="QTE-020-01-L-D-A-FL" />
<PART NAME="QTE-020-01-L-D-A-FL-.CR" />
<PART NAME="QTE-020-01-L-D-A-GP" />
<PART NAME="QTE-020-01-L-D-A-GP-K" />
<PART NAME="QTE-020-01-L-D-A-GP-K-TR" />
<PART NAME="QTE-020-01-L-D-A-GP-TR" />
<PART NAME="QTE-020-01-L-D-A-K" />
<PART NAME="QTE-020-01-L-D-A-K-TR" />
<PART NAME="QTE-020-01-L-D-A-RT1" />
<PART NAME="QTE-020-01-L-D-A-SD" />
<PART NAME="QTE-020-01-L-D-A-SD-K" />
<PART NAME="QTE-020-01-L-D-A-TR" />
<PART NAME="QTE-020-01-L-D-A-TY" />
<PART NAME="QTE-020-01-L-D-EM2" />
<PART NAME="QTE-020-01-L-D-EM2-GP" />
<PART NAME="QTE-020-01-L-D-EM3-.BAE" />
<PART NAME="QTE-020-01-L-D-GP" />
<PART NAME="QTE-020-01-L-D-GP-K" />
<PART NAME="QTE-020-01-L-D-K-TR" />
<PART NAME="QTE-020-01-L-D-LC" />
<PART NAME="QTE-020-02-F-D-A" />
<PART NAME="QTE-020-02-F-D-A-K" />
<PART NAME="QTE-020-02-F-D-A-K-TR" />
<PART NAME="QTE-020-02-F-D-A-K-TR-.R" />
<PART NAME="QTE-020-02-F-D-A-TR" />
<PART NAME="QTE-020-02-F-D-A-TR-.R" />
<PART NAME="QTE-020-02-F-D-A-TY" />
<PART NAME="QTE-020-02-F-D-K-TR" />
<PART NAME="QTE-020-02-F-D-LC" />
<PART NAME="QTE-020-02-H-D-A" />
<PART NAME="QTE-020-02-H-D-A-.F/H" />
<PART NAME="QTE-020-02-H-D-A-K-TR" />
<PART NAME="QTE-020-02-L-D" />
<PART NAME="QTE-020-02-L-D-A" />
<PART NAME="QTE-020-02-L-D-A-FL" />
<PART NAME="QTE-020-02-L-D-A-K" />
<PART NAME="QTE-020-02-L-D-A-K-TR" />
<PART NAME="QTE-020-02-L-D-A-TR" />
<PART NAME="QTE-020-02-L-D-K" />
<PART NAME="QTE-020-02-L-D-K-TR" />

<PART NAME="QTE-020-02-L-D-LC" />
<PART NAME="QTE-020-03-F-D-A" />
<PART NAME="QTE-020-03-F-D-A-K" />
<PART NAME="QTE-020-03-F-D-A-K-TR" />
<PART NAME="QTE-020-03-F-D-A-TR" />
<PART NAME="QTE-020-03-F-D-K" />
<PART NAME="QTE-020-03-F-D-K-TR" />
<PART NAME="QTE-020-03-F-D-LC" />
<PART NAME="QTE-020-03-H-D-A" />
<PART NAME="QTE-020-03-H-D-A-.F/H" />
<PART NAME="QTE-020-03-H-D-A-K" />
<PART NAME="QTE-020-03-H-D-A-K-TR" />
<PART NAME="QTE-020-03-H-D-A-TR" />
<PART NAME="QTE-020-03-L-D" />
<PART NAME="QTE-020-03-L-D-A" />
<PART NAME="QTE-020-03-L-D-A-K" />
<PART NAME="QTE-020-03-L-D-A-K-TR" />
<PART NAME="QTE-020-03-L-D-A-K-TR-.CLS" />
<PART NAME="QTE-020-03-L-D-A-K-TY" />
<PART NAME="QTE-020-03-L-D-A-TR" />
<PART NAME="QTE-020-03-L-D-K" />
<PART NAME="QTE-020-03-L-D-LC" />
<PART NAME="QTE-020-04-F-D" />
<PART NAME="QTE-020-04-F-D-A" />
<PART NAME="QTE-020-04-F-D-A-K" />
<PART NAME="QTE-020-04-F-D-A-K-.R" />
<PART NAME="QTE-020-04-F-D-A-K-TR" />
<PART NAME="QTE-020-04-F-D-A-K-TR-.CLS" />
<PART NAME="QTE-020-04-F-D-A-TR" />
<PART NAME="QTE-020-04-F-D-K-TR" />
<PART NAME="QTE-020-04-F-D-LC" />
<PART NAME="QTE-020-04-H-D-A" />
<PART NAME="QTE-020-04-H-D-A-.F/H" />
<PART NAME="QTE-020-04-H-D-A-K-TR" />
<PART NAME="QTE-020-04-L-D" />
<PART NAME="QTE-020-04-L-D-A" />
<PART NAME="QTE-020-04-L-D-A-K" />
<PART NAME="QTE-020-04-L-D-A-K-TR" />
<PART NAME="QTE-020-04-L-D-A-K-TR-.JABMI" />
<PART NAME="QTE-020-04-L-D-A-K-TR-.JBL" />
<PART NAME="QTE-020-04-L-D-A-TR" />
<PART NAME="QTE-020-04-L-D-LC" />
<PART NAME="QTE-020-05-F-D-A" />
<PART NAME="QTE-020-05-F-D-A-K" />
<PART NAME="QTE-020-05-F-D-LC" />
<PART NAME="QTE-020-05-H-D-A" />
<PART NAME="QTE-020-05-H-D-A-K" />
<PART NAME="QTE-020-05-H-D-A-K-TY" />
<PART NAME="QTE-020-05-L-D" />
<PART NAME="QTE-020-05-L-D-A" />
<PART NAME="QTE-020-05-L-D-A-.F/H" />
<PART NAME="QTE-020-05-L-D-A-K" />

<PART NAME="QTE-020-05-L-D-A-TY" />
<PART NAME="QTE-020-05-L-D-K-TY" />
<PART NAME="QTE-020-06-F-D-A" />
<PART NAME="QTE-020-06-F-D-A-K" />
<PART NAME="QTE-020-06-H-D-A" />
<PART NAME="QTE-020-06-L-D-A" />
<PART NAME="QTE-020-06-L-D-A-K" />
<PART NAME="QTE-020-07-F-D" />
<PART NAME="QTE-020-07-F-D-A" />
<PART NAME="QTE-020-07-H-D-A" />
<PART NAME="QTE-020-07-L-D-A" />
<PART NAME="QTE-020-07-L-D-LC" />
<PART NAME="QTE-020-08-F-D-A" />
<PART NAME="QTE-020-08-H-D-A" />
<PART NAME="QTE-020-08-H-D-A-.ROCK" />
<PART NAME="QTE-020-08-L-D-A" />
<PART NAME="QTE-020-09-F-D-A" />
<PART NAME="QTE-020-09-F-D-A-K" />
<PART NAME="QTE-020-09-F-D-A-K-TR" />
<PART NAME="QTE-020-09-F-D-A-TR" />
<PART NAME="QTE-020-09-F-D-A-TR-.MIR" />
<PART NAME="QTE-020-09-H-D-A" />
<PART NAME="QTE-020-09-H-D-A-K" />
<PART NAME="QTE-020-09-L-D-A" />
<PART NAME="QTE-020-09-L-D-A-K" />
<PART NAME="QTE-020-09-L-D-A-K-TR" />
<PART NAME="QTE-020-10-L-D-A" />
<PART NAME="QTE-020-10-L-D-A-K" />
<PART NAME="QTE-028-01-F-D-DP-A" />
<PART NAME="QTE-028-01-F-D-DP-A-.F/H" />
<PART NAME="QTE-028-01-F-D-DP-A-K" />
<PART NAME="QTE-028-01-F-D-DP-A-K-TR" />
<PART NAME="QTE-028-01-F-D-DP-A-RT1-.F/H" />
<PART NAME="QTE-028-01-F-D-DP-A-TR" />
<PART NAME="QTE-028-01-F-D-DP-A-TY" />
<PART NAME="QTE-028-01-F-D-DP-EM2" />
<PART NAME="QTE-028-01-F-D-DP-EM2-GP" />
<PART NAME="QTE-028-01-F-D-DP-GP" />
<PART NAME="QTE-028-01-F-D-DP-LC" />
<PART NAME="QTE-028-01-H-D-DP-A" />
<PART NAME="QTE-028-01-H-D-DP-A-.F/H" />
<PART NAME="QTE-028-01-H-D-DP-A-GP-K" />
<PART NAME="QTE-028-01-H-D-DP-A-K" />
<PART NAME="QTE-028-01-H-D-DP-A-K-TR" />
<PART NAME="QTE-028-01-H-D-DP-A-RT1" />
<PART NAME="QTE-028-01-H-D-DP-A-RT1-.F/H" />
<PART NAME="QTE-028-01-H-D-DP-EM2-.F/H" />
<PART NAME="QTE-028-01-L-D-DP" />
<PART NAME="QTE-028-01-L-D-DP-A" />
<PART NAME="QTE-028-01-L-D-DP-A-.F/H" />
<PART NAME="QTE-028-01-L-D-DP-A-.H" />
<PART NAME="QTE-028-01-L-D-DP-A-GP" />

<PART NAME="QTE-028-01-L-D-DP-A-K" />
<PART NAME="QTE-028-01-L-D-DP-A-K-TR" />
<PART NAME="QTE-028-01-L-D-DP-A-K-TY" />
<PART NAME="QTE-028-01-L-D-DP-A-RT1" />
<PART NAME="QTE-028-01-L-D-DP-A-TR" />
<PART NAME="QTE-028-01-L-D-DP-EM2" />
<PART NAME="QTE-028-01-L-D-DP-EM2-GP" />
<PART NAME="QTE-028-01-L-D-DP-EM3-.ARRO" />
<PART NAME="QTE-028-01-L-D-DP-EM3-.SCIR" />
<PART NAME="QTE-028-01-L-D-DP-GP" />
<PART NAME="QTE-028-01-L-D-DP-LC" />
<PART NAME="QTE-028-02-F-D-DP-A" />
<PART NAME="QTE-028-02-H-D-DP-A-.F/H" />
<PART NAME="QTE-028-02-H-D-DP-A-K" />
<PART NAME="QTE-028-02-L-D-DP-A" />
<PART NAME="QTE-028-02-L-D-DP-A-K" />
<PART NAME="QTE-028-02-L-D-DP-A-K-TR" />
<PART NAME="QTE-028-02-L-D-DP-A-TR" />
<PART NAME="QTE-028-03-F-D-DP-A" />
<PART NAME="QTE-028-03-F-D-DP-A-K" />
<PART NAME="QTE-028-03-F-D-DP-A-K-TR" />
<PART NAME="QTE-028-03-F-D-DP-A-K-TR-.JAB" />
<PART NAME="QTE-028-03-F-D-DP-LC" />
<PART NAME="QTE-028-03-L-D-DP-A" />
<PART NAME="QTE-028-03-L-D-DP-A-K" />
<PART NAME="QTE-028-03-L-D-DP-A-K-TR" />
<PART NAME="QTE-028-03-L-D-DP-A-TR" />
<PART NAME="QTE-028-03-L-D-DP-A-TR-.NARA" />
<PART NAME="QTE-028-04-F-D-DP-A" />
<PART NAME="QTE-028-04-H-D-DP-A" />
<PART NAME="QTE-028-04-L-D-DP" />
<PART NAME="QTE-028-04-L-D-DP-A" />
<PART NAME="QTE-028-04-L-D-DP-A-K" />
<PART NAME="QTE-028-04-L-D-DP-A-K-TR" />
<PART NAME="QTE-028-04-L-D-DP-A-TR" />
<PART NAME="QTE-028-05-F-D-DP-A" />
<PART NAME="QTE-028-05-F-D-DP-A-K" />
<PART NAME="QTE-028-05-L-D-DP-A" />
<PART NAME="QTE-028-06-F-D-DP-A" />
<PART NAME="QTE-028-06-F-D-DP-A-K" />
<PART NAME="QTE-028-06-L-D-DP-A" />
<PART NAME="QTE-028-06-L-D-DP-A-K" />
<PART NAME="QTE-028-07-L-D-DP-A" />
<PART NAME="QTE-028-09-F-D-DP-A" />
<PART NAME="QTE-028-09-L-D-DP-A" />
<PART NAME="QTE-028-10-L-D-DP-A" />
<PART NAME="QTE-040-01-C-D-A" />
<PART NAME="QTE-040-01-F-D-A" />
<PART NAME="QTE-040-01-F-D-A-.F/H" />
<PART NAME="QTE-040-01-F-D-A-FL" />
<PART NAME="QTE-040-01-F-D-A-GP" />
<PART NAME="QTE-040-01-F-D-A-GP-TR" />

<PART NAME="QTE-040-01-F-D-A-K" />
<PART NAME="QTE-040-01-F-D-A-K-TR" />
<PART NAME="QTE-040-01-F-D-A-RT1-.F/H" />
<PART NAME="QTE-040-01-F-D-A-SD" />
<PART NAME="QTE-040-01-F-D-A-TR" />
<PART NAME="QTE-040-01-F-D-EM2" />
<PART NAME="QTE-040-01-F-D-EM2-GP" />
<PART NAME="QTE-040-01-F-D-LC" />
<PART NAME="QTE-040-01-H-D-A" />
<PART NAME="QTE-040-01-H-D-A-.F/H" />
<PART NAME="QTE-040-01-H-D-A-GP" />
<PART NAME="QTE-040-01-H-D-A-K" />
<PART NAME="QTE-040-01-H-D-A-K-TR" />
<PART NAME="QTE-040-01-H-D-A-RT1-.F/H" />
<PART NAME="QTE-040-01-H-D-EM2" />
<PART NAME="QTE-040-01-H-D-EM2-.F/H" />
<PART NAME="QTE-040-01-L-D" />
<PART NAME="QTE-040-01-L-D-.F/H" />
<PART NAME="QTE-040-01-L-D-A" />
<PART NAME="QTE-040-01-L-D-A-.F/H" />
<PART NAME="QTE-040-01-L-D-A-FL" />
<PART NAME="QTE-040-01-L-D-A-GP" />
<PART NAME="QTE-040-01-L-D-A-GP-K" />
<PART NAME="QTE-040-01-L-D-A-K" />
<PART NAME="QTE-040-01-L-D-A-K-TR" />
<PART NAME="QTE-040-01-L-D-A-K-TY" />
<PART NAME="QTE-040-01-L-D-A-RT1" />
<PART NAME="QTE-040-01-L-D-A-SD" />
<PART NAME="QTE-040-01-L-D-A-TR" />
<PART NAME="QTE-040-01-L-D-EM2" />
<PART NAME="QTE-040-01-L-D-EM2-.TYCO" />
<PART NAME="QTE-040-01-L-D-EM2-GP" />
<PART NAME="QTE-040-01-L-D-EM2-GP-.F/H" />
<PART NAME="QTE-040-01-L-D-GP" />
<PART NAME="QTE-040-01-L-D-GP-TR" />
<PART NAME="QTE-040-01-L-D-K-TR" />
<PART NAME="QTE-040-01-L-D-LC" />
<PART NAME="QTE-040-01-L-D-LC-.F/H" />
<PART NAME="QTE-040-01-L-D-SD-A" />
<PART NAME="QTE-040-02-F-D-A" />
<PART NAME="QTE-040-02-F-D-A-K" />
<PART NAME="QTE-040-02-F-D-A-K-TR" />
<PART NAME="QTE-040-02-F-D-A-K-TR-.H" />
<PART NAME="QTE-040-02-F-D-A-TR" />
<PART NAME="QTE-040-02-F-D-A-TR-.MIR" />
<PART NAME="QTE-040-02-H-D-A" />
<PART NAME="QTE-040-02-H-D-A-K" />
<PART NAME="QTE-040-02-H-D-A-K-TR" />
<PART NAME="QTE-040-02-H-D-A-TR" />
<PART NAME="QTE-040-02-L-D" />
<PART NAME="QTE-040-02-L-D-A" />
<PART NAME="QTE-040-02-L-D-A-.F/H" />

<PART NAME="QTE-040-02-L-D-A-K" />
<PART NAME="QTE-040-02-L-D-A-K-TR" />
<PART NAME="QTE-040-02-L-D-A-K-TY" />
<PART NAME="QTE-040-02-L-D-A-TR" />
<PART NAME="QTE-040-03-F-D" />
<PART NAME="QTE-040-03-F-D-A" />
<PART NAME="QTE-040-03-F-D-A-K" />
<PART NAME="QTE-040-03-F-D-A-K-TR" />
<PART NAME="QTE-040-03-F-D-A-K-TR-.XYRAT" />
<PART NAME="QTE-040-03-F-D-A-TR" />
<PART NAME="QTE-040-03-F-D-A-TR-.MIR" />
<PART NAME="QTE-040-03-F-D-A-TR-.R" />
<PART NAME="QTE-040-03-F-D-LC" />
<PART NAME="QTE-040-03-F-D-LC-TR" />
<PART NAME="QTE-040-03-H-D-A" />
<PART NAME="QTE-040-03-H-D-A-K-TR" />
<PART NAME="QTE-040-03-H-D-A-K-TY" />
<PART NAME="QTE-040-03-H-D-A-TR" />
<PART NAME="QTE-040-03-L-D" />
<PART NAME="QTE-040-03-L-D-A" />
<PART NAME="QTE-040-03-L-D-A-.JABIL" />
<PART NAME="QTE-040-03-L-D-A-K" />
<PART NAME="QTE-040-03-L-D-A-K-TR" />
<PART NAME="QTE-040-03-L-D-A-K-TR-.JABSC" />
<PART NAME="QTE-040-03-L-D-A-K-TY" />
<PART NAME="QTE-040-03-L-D-A-TR" />
<PART NAME="QTE-040-03-L-D-A-TY" />
<PART NAME="QTE-040-03-L-D-LC" />
<PART NAME="QTE-040-03-L-D-LC-K-TR" />
<PART NAME="QTE-040-03-L-D-LC-TR" />
<PART NAME="QTE-040-04-F-D" />
<PART NAME="QTE-040-04-F-D-A" />
<PART NAME="QTE-040-04-F-D-A-K" />
<PART NAME="QTE-040-04-F-D-A-K-.R" />
<PART NAME="QTE-040-04-F-D-A-K-TR" />
<PART NAME="QTE-040-04-F-D-A-TR" />
<PART NAME="QTE-040-04-F-D-K-TR-.FUJIT" />
<PART NAME="QTE-040-04-H-D-A" />
<PART NAME="QTE-040-04-H-D-A-K" />
<PART NAME="QTE-040-04-H-D-A-K-TR" />
<PART NAME="QTE-040-04-L-D" />
<PART NAME="QTE-040-04-L-D-A" />
<PART NAME="QTE-040-04-L-D-A-K" />
<PART NAME="QTE-040-04-L-D-A-K-TR" />
<PART NAME="QTE-040-04-L-D-A-K-TY" />
<PART NAME="QTE-040-04-L-D-A-TR" />
<PART NAME="QTE-040-04-L-D-LC" />
<PART NAME="QTE-040-05-F-D-A" />
<PART NAME="QTE-040-05-F-D-A-K" />
<PART NAME="QTE-040-05-F-D-A-K-TY" />
<PART NAME="QTE-040-05-H-D-A" />
<PART NAME="QTE-040-05-H-D-A-K" />

<PART NAME="QTE-040-05-H-D-A-K-TY" />
<PART NAME="QTE-040-05-L-D" />
<PART NAME="QTE-040-05-L-D-A" />
<PART NAME="QTE-040-05-L-D-A-K" />
<PART NAME="QTE-040-05-L-D-A-K-TY" />
<PART NAME="QTE-040-05-L-D-K" />
<PART NAME="QTE-040-05-L-D-K-TY" />
<PART NAME="QTE-040-05-L-D-LC" />
<PART NAME="QTE-040-06-F-D-A" />
<PART NAME="QTE-040-06-F-D-A-K" />
<PART NAME="QTE-040-06-H-D-A" />
<PART NAME="QTE-040-06-H-D-A-K" />
<PART NAME="QTE-040-06-L-D-A" />
<PART NAME="QTE-040-06-L-D-A-K" />
<PART NAME="QTE-040-07-F-D" />
<PART NAME="QTE-040-07-F-D-A" />
<PART NAME="QTE-040-07-H-D-A" />
<PART NAME="QTE-040-07-L-D-A" />
<PART NAME="QTE-040-07-L-D-A-.F/H" />
<PART NAME="QTE-040-08-F-D-A" />
<PART NAME="QTE-040-08-F-D-LC" />
<PART NAME="QTE-040-08-H-D-A" />
<PART NAME="QTE-040-08-H-D-A-.ROCK" />
<PART NAME="QTE-040-08-L-D-A" />
<PART NAME="QTE-040-08-L-D-LC" />
<PART NAME="QTE-040-09-F-D-A" />
<PART NAME="QTE-040-09-F-D-A-K" />
<PART NAME="QTE-040-09-F-D-A-TR" />
<PART NAME="QTE-040-09-F-D-K" />
<PART NAME="QTE-040-09-H-D-A-K-TR" />
<PART NAME="QTE-040-09-L-D-A" />
<PART NAME="QTE-040-09-L-D-A-.K" />
<PART NAME="QTE-040-09-L-D-A-K" />
<PART NAME="QTE-040-09-L-D-A-K-TR" />
<PART NAME="QTE-040-09-L-D-A-K-TR-.H" />
<PART NAME="QTE-040-10-F-D-A" />
<PART NAME="QTE-040-10-F-D-A-TR" />
<PART NAME="QTE-040-10-L-D-A" />
<PART NAME="QTE-040-10-L-D-A-TR" />
<PART NAME="QTE-042-01-C-D-DP-A" />
<PART NAME="QTE-042-01-F-D-DP" />
<PART NAME="QTE-042-01-F-D-DP-A" />
<PART NAME="QTE-042-01-F-D-DP-A-K" />
<PART NAME="QTE-042-01-F-D-DP-A-K-TR" />
<PART NAME="QTE-042-01-F-D-DP-A-RT1" />
<PART NAME="QTE-042-01-F-D-DP-A-RT1-.F/H" />
<PART NAME="QTE-042-01-F-D-DP-A-TR" />
<PART NAME="QTE-042-01-F-D-DP-K" />
<PART NAME="QTE-042-01-H-D-DP-A" />
<PART NAME="QTE-042-01-H-D-DP-A-.F/H" />
<PART NAME="QTE-042-01-H-D-DP-A-GP" />
<PART NAME="QTE-042-01-H-D-DP-EM2-.F/H" />

<PART NAME="QTE-042-01-L-D-DP" />
<PART NAME="QTE-042-01-L-D-DP-A" />
<PART NAME="QTE-042-01-L-D-DP-A-.F/H" />
<PART NAME="QTE-042-01-L-D-DP-A-GP" />
<PART NAME="QTE-042-01-L-D-DP-A-K" />
<PART NAME="QTE-042-01-L-D-DP-A-K-TR" />
<PART NAME="QTE-042-01-L-D-DP-A-TR" />
<PART NAME="QTE-042-01-L-D-DP-EM2" />
<PART NAME="QTE-042-01-L-D-DP-EM2-GP" />
<PART NAME="QTE-042-01-L-D-DP-GP" />
<PART NAME="QTE-042-01-L-D-DP-LC" />
<PART NAME="QTE-042-02-F-D-DP-A" />
<PART NAME="QTE-042-02-F-D-DP-A-K-TR" />
<PART NAME="QTE-042-02-F-D-DP-A-TR" />
<PART NAME="QTE-042-02-H-D-DP-A" />
<PART NAME="QTE-042-02-L-D-DP-A" />
<PART NAME="QTE-042-02-L-D-DP-A-K" />
<PART NAME="QTE-042-02-L-D-DP-A-K-TR" />
<PART NAME="QTE-042-03-F-D-DP-A" />
<PART NAME="QTE-042-03-F-D-DP-A-K" />
<PART NAME="QTE-042-03-F-D-DP-A-K-TR" />
<PART NAME="QTE-042-03-F-D-DP-A-TR" />
<PART NAME="QTE-042-03-H-D-DP-A" />
<PART NAME="QTE-042-03-L-D-DP-A" />
<PART NAME="QTE-042-03-L-D-DP-A-K" />
<PART NAME="QTE-042-03-L-D-DP-A-K-TR" />
<PART NAME="QTE-042-04-F-D-DP-A" />
<PART NAME="QTE-042-04-L-D-DP" />
<PART NAME="QTE-042-04-L-D-DP-A" />
<PART NAME="QTE-042-04-L-D-DP-A-K" />
<PART NAME="QTE-042-04-L-D-DP-A-K-TR" />
<PART NAME="QTE-042-04-L-D-DP-A-TR" />
<PART NAME="QTE-042-05-F-D-DP-A" />
<PART NAME="QTE-042-05-F-D-DP-A-K" />
<PART NAME="QTE-042-05-L-D-DP-A" />
<PART NAME="QTE-042-05-L-D-DP-A-K" />
<PART NAME="QTE-042-06-L-D-DP-A-K" />
<PART NAME="QTE-042-07-L-D-DP-A" />
<PART NAME="QTE-042-08-F-D-DP-A" />
<PART NAME="QTE-042-09-F-D-DP-A" />
<PART NAME="QTE-042-10-L-D-DP-A" />
<PART NAME="QTE-042-10-L-D-DP-A-K" />
<PART NAME="QTE-056-01-F-D-DP-A" />
<PART NAME="QTE-056-01-F-D-DP-A-K" />
<PART NAME="QTE-056-01-H-D-DP-A-.F/H" />
<PART NAME="QTE-056-01-H-D-DP-EM2" />
<PART NAME="QTE-056-01-H-D-DP-EM2-.F/H" />
<PART NAME="QTE-056-01-L-D-DP" />
<PART NAME="QTE-056-01-L-D-DP-A" />
<PART NAME="QTE-056-01-L-D-DP-A-GP" />
<PART NAME="QTE-056-01-L-D-DP-A-K" />
<PART NAME="QTE-056-01-L-D-DP-EM2-GP" />

<PART NAME="QTE-056-01-L-D-DP-GP" />
<PART NAME="QTE-056-01-L-D-DP-K" />
<PART NAME="QTE-056-01-L-D-DP-LC" />
<PART NAME="QTE-056-02-L-D-DP-A" />
<PART NAME="QTE-056-03-L-D-DP-A" />
<PART NAME="QTE-056-04-L-D-DP-A" />
<PART NAME="QTE-056-04-L-D-DP-A-K" />
<PART NAME="QTE-056-05-L-D-DP-A" />
<PART NAME="QTE-056-06-L-D-DP-A-K" />
<PART NAME="QTE-056-07-L-D-DP-A" />
<PART NAME="QTE-056-08-L-D-DP-A" />
<PART NAME="QTE-060-01-F-D" />
<PART NAME="QTE-060-01-F-D-A" />
<PART NAME="QTE-060-01-F-D-A-GP" />
<PART NAME="QTE-060-01-F-D-A-K" />
<PART NAME="QTE-060-01-F-D-A-K-TR" />
<PART NAME="QTE-060-01-F-D-A-RT1-.F/H" />
<PART NAME="QTE-060-01-F-D-A-SD" />
<PART NAME="QTE-060-01-F-D-A-TR" />
<PART NAME="QTE-060-01-F-D-EM2" />
<PART NAME="QTE-060-01-F-D-EM2-GP" />
<PART NAME="QTE-060-01-F-D-EM3-.ERIC" />
<PART NAME="QTE-060-01-F-D-EM3-.FORCE" />
<PART NAME="QTE-060-01-F-D-LC" />
<PART NAME="QTE-060-01-H-D-A" />
<PART NAME="QTE-060-01-H-D-A-.F/H" />
<PART NAME="QTE-060-01-H-D-A-GP" />
<PART NAME="QTE-060-01-H-D-A-K" />
<PART NAME="QTE-060-01-H-D-A-K-TR" />
<PART NAME="QTE-060-01-H-D-A-RT1" />
<PART NAME="QTE-060-01-H-D-A-RT1-.F/H" />
<PART NAME="QTE-060-01-H-D-A-TR" />
<PART NAME="QTE-060-01-H-D-EM2" />
<PART NAME="QTE-060-01-H-D-EM2-.F/H" />
<PART NAME="QTE-060-01-H-D-EM2-GP" />
<PART NAME="QTE-060-01-L-D" />
<PART NAME="QTE-060-01-L-D-A" />
<PART NAME="QTE-060-01-L-D-A-.F/H" />
<PART NAME="QTE-060-01-L-D-A-GP" />
<PART NAME="QTE-060-01-L-D-A-GP-K" />
<PART NAME="QTE-060-01-L-D-A-K" />
<PART NAME="QTE-060-01-L-D-A-K-TR" />
<PART NAME="QTE-060-01-L-D-A-K-TR-.SOL" />
<PART NAME="QTE-060-01-L-D-A-RT1" />
<PART NAME="QTE-060-01-L-D-A-TR" />
<PART NAME="QTE-060-01-L-D-EM2" />
<PART NAME="QTE-060-01-L-D-EM2-.F/H" />
<PART NAME="QTE-060-01-L-D-EM2-GP" />
<PART NAME="QTE-060-01-L-D-EM3-.ERIC" />
<PART NAME="QTE-060-01-L-D-EM3-.ESCO" />
<PART NAME="QTE-060-01-L-D-FL" />
<PART NAME="QTE-060-01-L-D-GP" />

<PART NAME="QTE-060-01-L-D-K" />
<PART NAME="QTE-060-01-L-D-K-TR" />
<PART NAME="QTE-060-01-L-D-LC" />
<PART NAME="QTE-060-01-L-D-LC-GP" />
<PART NAME="QTE-060-01-L-D-SD" />
<PART NAME="QTE-060-02-F-D-A" />
<PART NAME="QTE-060-02-F-D-A-K" />
<PART NAME="QTE-060-02-F-D-A-K-TR" />
<PART NAME="QTE-060-02-F-D-A-TR" />
<PART NAME="QTE-060-02-F-D-FL-LC" />
<PART NAME="QTE-060-02-H-D-A" />
<PART NAME="QTE-060-02-H-D-A-K" />
<PART NAME="QTE-060-02-H-D-A-K-TR" />
<PART NAME="QTE-060-02-L-D" />
<PART NAME="QTE-060-02-L-D-A" />
<PART NAME="QTE-060-02-L-D-A.F/H" />
<PART NAME="QTE-060-02-L-D-A-K" />
<PART NAME="QTE-060-02-L-D-A-K-TR" />
<PART NAME="QTE-060-02-L-D-A-K-TY" />
<PART NAME="QTE-060-02-L-D-A-TR" />
<PART NAME="QTE-060-03-F-D" />
<PART NAME="QTE-060-03-F-D-A" />
<PART NAME="QTE-060-03-F-D-A-K" />
<PART NAME="QTE-060-03-F-D-A-K-TR" />
<PART NAME="QTE-060-03-F-D-A-TR" />
<PART NAME="QTE-060-03-H-D-A" />
<PART NAME="QTE-060-03-H-D-A-K" />
<PART NAME="QTE-060-03-H-D-A-K-TR" />
<PART NAME="QTE-060-03-H-D-A-TR" />
<PART NAME="QTE-060-03-L-D" />
<PART NAME="QTE-060-03-L-D-A" />
<PART NAME="QTE-060-03-L-D-A-K" />
<PART NAME="QTE-060-03-L-D-A-K.H" />
<PART NAME="QTE-060-03-L-D-A-K-TR" />
<PART NAME="QTE-060-03-L-D-A-K-TY" />
<PART NAME="QTE-060-03-L-D-A-TR" />
<PART NAME="QTE-060-03-L-D-LC" />
<PART NAME="QTE-060-04-F-D" />
<PART NAME="QTE-060-04-F-D-A" />
<PART NAME="QTE-060-04-F-D-A-K" />
<PART NAME="QTE-060-04-F-D-A-K.R" />
<PART NAME="QTE-060-04-F-D-A-K-TR" />
<PART NAME="QTE-060-04-F-D-LC-K" />
<PART NAME="QTE-060-04-H-D-A" />
<PART NAME="QTE-060-04-H-D-A-K" />
<PART NAME="QTE-060-04-H-D-A-K-TR" />
<PART NAME="QTE-060-04-L-D" />
<PART NAME="QTE-060-04-L-D-A" />
<PART NAME="QTE-060-04-L-D-A-K" />
<PART NAME="QTE-060-04-L-D-A-K-TR" />
<PART NAME="QTE-060-04-L-D-A-K-TR.H" />
<PART NAME="QTE-060-04-L-D-A-TR" />

<PART NAME="QTE-060-04-L-D-LC" />
<PART NAME="QTE-060-05-F-D-A" />
<PART NAME="QTE-060-05-F-D-A-K" />
<PART NAME="QTE-060-05-H-D-A" />
<PART NAME="QTE-060-05-H-D-A-K" />
<PART NAME="QTE-060-05-L-D" />
<PART NAME="QTE-060-05-L-D-A" />
<PART NAME="QTE-060-05-L-D-A-K" />
<PART NAME="QTE-060-05-L-D-A-K-TY" />
<PART NAME="QTE-060-05-L-D-K" />
<PART NAME="QTE-060-05-L-D-K-TY" />
<PART NAME="QTE-060-06-F-D-A" />
<PART NAME="QTE-060-06-F-D-A-K" />
<PART NAME="QTE-060-06-H-D-A" />
<PART NAME="QTE-060-06-H-D-A-K-TY" />
<PART NAME="QTE-060-06-L-D-A" />
<PART NAME="QTE-060-06-L-D-A-K" />
<PART NAME="QTE-060-07-F-D-A" />
<PART NAME="QTE-060-07-L-D-A" />
<PART NAME="QTE-060-08-F-D-A" />
<PART NAME="QTE-060-08-F-D-A-R" />
<PART NAME="QTE-060-08-L-D-A" />
<PART NAME="QTE-060-09-F-D-A" />
<PART NAME="QTE-060-09-F-D-A-K" />
<PART NAME="QTE-060-09-H-D-A" />
<PART NAME="QTE-060-09-H-D-A-TR" />
<PART NAME="QTE-060-09-L-D-A" />
<PART NAME="QTE-060-09-L-D-A-K" />
<PART NAME="QTE-060-09-L-D-A-K-TR" />
<PART NAME="QTE-060-10-F-D-A-TR" />
<PART NAME="QTE-060-10-L-D-A" />
<PART NAME="QTE-060-10-L-D-A-TR" />
<PART NAME="QTE-070-01-F-D-DP-A" />
<PART NAME="QTE-070-01-H-D-DP-A" />
<PART NAME="QTE-070-01-L-D-DP" />
<PART NAME="QTE-070-01-L-D-DP-A" />
<PART NAME="QTE-070-01-L-D-DP-A-.F/H" />
<PART NAME="QTE-070-01-L-D-DP-A-GP" />
<PART NAME="QTE-070-01-L-D-DP-EM2" />
<PART NAME="QTE-070-01-L-D-DP-EM2-GP" />
<PART NAME="QTE-070-01-L-D-DP-LC" />
<PART NAME="QTE-070-02-L-D-DP-A" />
<PART NAME="QTE-070-03-L-D-DP-A" />
<PART NAME="QTE-070-03-L-D-DP-A-.F/H" />
<PART NAME="QTE-070-04-L-D-DP" />
<PART NAME="QTE-070-04-L-D-DP-A" />
<PART NAME="QTE-070-04-L-D-DP-A-K" />
<PART NAME="QTE-070-05-L-D-DP" />
<PART NAME="QTE-070-05-L-D-DP-A" />
<PART NAME="QTE-070-06-L-D-DP-A" />
<PART NAME="QTE-070-09-H-D-DP-A" />
<PART NAME="QTE-080-01-F-D-A" />

<PART NAME="QTE-080-01-F-D-A-GP" />
<PART NAME="QTE-080-01-F-D-A-GP-K" />
<PART NAME="QTE-080-01-F-D-A-K" />
<PART NAME="QTE-080-01-F-D-EM2" />
<PART NAME="QTE-080-01-F-D-EM2-.XYRAT" />
<PART NAME="QTE-080-01-F-D-EM2-GP" />
<PART NAME="QTE-080-01-H-D-A" />
<PART NAME="QTE-080-01-H-D-A-.F/H" />
<PART NAME="QTE-080-01-H-D-A-K" />
<PART NAME="QTE-080-01-H-D-A-K-TY" />
<PART NAME="QTE-080-01-H-D-EM2" />
<PART NAME="QTE-080-01-H-D-EM2-.F/H" />
<PART NAME="QTE-080-01-L-D" />
<PART NAME="QTE-080-01-L-D-A" />
<PART NAME="QTE-080-01-L-D-A-.F/H" />
<PART NAME="QTE-080-01-L-D-A-GP" />
<PART NAME="QTE-080-01-L-D-A-GP-K" />
<PART NAME="QTE-080-01-L-D-A-K" />
<PART NAME="QTE-080-01-L-D-EM2" />
<PART NAME="QTE-080-01-L-D-EM2-GP" />
<PART NAME="QTE-080-01-L-D-GP" />
<PART NAME="QTE-080-01-L-D-LC" />
<PART NAME="QTE-080-02-F-D-A" />
<PART NAME="QTE-080-02-F-D-A-K" />
<PART NAME="QTE-080-02-L-D" />
<PART NAME="QTE-080-02-L-D-A" />
<PART NAME="QTE-080-02-L-D-A-K" />
<PART NAME="QTE-080-03-F-D" />
<PART NAME="QTE-080-03-F-D-A" />
<PART NAME="QTE-080-03-F-D-A-K" />
<PART NAME="QTE-080-03-H-D-A" />
<PART NAME="QTE-080-03-L-D-A" />
<PART NAME="QTE-080-03-L-D-A-K" />
<PART NAME="QTE-080-03-L-D-A-K-.H" />
<PART NAME="QTE-080-04-F-D-A" />
<PART NAME="QTE-080-04-F-D-A-K" />
<PART NAME="QTE-080-04-F-D-A-K-.R" />
<PART NAME="QTE-080-04-F-D-A-K-TY" />
<PART NAME="QTE-080-04-H-D-A" />
<PART NAME="QTE-080-04-L-D" />
<PART NAME="QTE-080-04-L-D-A" />
<PART NAME="QTE-080-04-L-D-A-K" />
<PART NAME="QTE-080-05-F-D-A" />
<PART NAME="QTE-080-05-F-D-A-K" />
<PART NAME="QTE-080-05-F-D-A-LC" />
<PART NAME="QTE-080-05-F-D-LC" />
<PART NAME="QTE-080-05-H-D-A" />
<PART NAME="QTE-080-05-H-D-A-K" />
<PART NAME="QTE-080-05-L-D" />
<PART NAME="QTE-080-05-L-D-A" />
<PART NAME="QTE-080-05-L-D-A-K" />
<PART NAME="QTE-080-05-L-D-A-TY" />

<PART NAME="QTE-080-06-F-D-A" />
<PART NAME="QTE-080-06-F-D-A-K" />
<PART NAME="QTE-080-06-H-D-A" />
<PART NAME="QTE-080-06-L-D-A" />
<PART NAME="QTE-080-06-L-D-A-K" />
<PART NAME="QTE-080-07-F-D-A" />
<PART NAME="QTE-080-07-L-D-A" />
<PART NAME="QTE-080-08-F-D-A" />
<PART NAME="QTE-080-08-L-D-A" />
<PART NAME="QTE-080-08-L-D-LC" />
<PART NAME="QTE-080-09-F-D-A" />
<PART NAME="QTE-080-09-F-D-A-K" />
<PART NAME="QTE-080-09-L-D-A" />
<PART NAME="QTE-080-09-L-D-A-K" />
<PART NAME="QTE-080-10-L-D-A" />
<PART NAME="QTE-100-01-F-D-A" />
<PART NAME="QTE-100-01-F-D-A-GP-K" />
<PART NAME="QTE-100-01-F-D-A-K" />
<PART NAME="QTE-100-01-F-D-EM2" />
<PART NAME="QTE-100-01-F-D-EM2-GP" />
<PART NAME="QTE-100-01-F-D-EM3-.CEDAR" />
<PART NAME="QTE-100-01-F-D-EM3-GP-.PLEX" />
<PART NAME="QTE-100-01-F-D-K" />
<PART NAME="QTE-100-01-F-D-LC" />
<PART NAME="QTE-100-01-H-D" />
<PART NAME="QTE-100-01-H-D-.F/H" />
<PART NAME="QTE-100-01-H-D-A" />
<PART NAME="QTE-100-01-H-D-A-.F/H" />
<PART NAME="QTE-100-01-H-D-A-GP" />
<PART NAME="QTE-100-01-H-D-EM3-GP-.CELE" />
<PART NAME="QTE-100-01-L-D" />
<PART NAME="QTE-100-01-L-D-A" />
<PART NAME="QTE-100-01-L-D-A-.F/H" />
<PART NAME="QTE-100-01-L-D-A-FL" />
<PART NAME="QTE-100-01-L-D-A-GP" />
<PART NAME="QTE-100-01-L-D-A-K" />
<PART NAME="QTE-100-01-L-D-EM2" />
<PART NAME="QTE-100-01-L-D-EM2-GP" />
<PART NAME="QTE-100-01-L-D-EM3-.CEDAR" />
<PART NAME="QTE-100-01-L-D-EM3-.PLEXUS" />
<PART NAME="QTE-100-01-L-D-GP" />
<PART NAME="QTE-100-02-F-D-A" />
<PART NAME="QTE-100-02-F-D-A-K" />
<PART NAME="QTE-100-02-L-D" />
<PART NAME="QTE-100-02-L-D-A" />
<PART NAME="QTE-100-02-L-D-A-FL" />
<PART NAME="QTE-100-02-L-D-A-K" />
<PART NAME="QTE-100-03-F-D-A" />
<PART NAME="QTE-100-03-F-D-A-K" />
<PART NAME="QTE-100-03-H-D-A" />
<PART NAME="QTE-100-03-L-D-A" />
<PART NAME="QTE-100-03-L-D-A-K" />

<PART NAME="QTE-100-03-L-D-A-K-TY" />
<PART NAME="QTE-100-04-F-D-A" />
<PART NAME="QTE-100-04-F-D-A-K" />
<PART NAME="QTE-100-04-H-D-A-K" />
<PART NAME="QTE-100-04-L-D" />
<PART NAME="QTE-100-04-L-D-A" />
<PART NAME="QTE-100-04-L-D-A-K" />
<PART NAME="QTE-100-05-F-D-A" />
<PART NAME="QTE-100-05-F-D-A-K" />
<PART NAME="QTE-100-05-F-D-LC" />
<PART NAME="QTE-100-05-H-D-A" />
<PART NAME="QTE-100-05-L-D" />
<PART NAME="QTE-100-05-L-D-A" />
<PART NAME="QTE-100-05-L-D-A-K" />
<PART NAME="QTE-100-05-L-D-A-K-TY" />
<PART NAME="QTE-100-05-L-D-LC" />
<PART NAME="QTE-100-06-F-D-A" />
<PART NAME="QTE-100-06-F-D-A-K" />
<PART NAME="QTE-100-06-H-D-A" />
<PART NAME="QTE-100-06-L-D-A" />
<PART NAME="QTE-100-07-F-D-A-TY" />
<PART NAME="QTE-100-07-F-D-LC" />
<PART NAME="QTE-100-07-L-D-A" />
<PART NAME="QTE-100-07-L-D-TY" />
<PART NAME="QTE-100-08-F-D-A" />
<PART NAME="QTE-100-08-L-D-A" />
<PART NAME="QTE-100-08-L-D-TY" />
<PART NAME="QTE-100-09-F-D-A" />
<PART NAME="QTE-100-09-H-D-A" />
<PART NAME="QTE-100-09-L-D-A" />
<PART NAME="QTE-100-10-L-D-A" />
<PART NAME="QTE-100-10-L-D-A-K" />
<PART NAME="QTE-20-01-D-01" />
<PART NAME="QTE-20-01-D-01-.CR" />
<PART NAME="QTE-20-01-D-01-A" />
<PART NAME="QTE-20-01-D-01-A-.CR" />
<PART NAME="QTE-20-01-D-01-A-FL" />
<PART NAME="QTE-20-01-D-01-A-FL-.CR" />
<PART NAME="QTE-20-01-D-01-A-GP" />
<PART NAME="QTE-20-01-D-01-A-RT1" />
<PART NAME="QTE-20-01-D-01-GP" />
<PART NAME="QTE-20-01-D-01-SD-A" />
<PART NAME="QTE-20-01-D-02" />
<PART NAME="QTE-20-01-D-02-.CR" />
<PART NAME="QTE-20-01-D-02-A" />
<PART NAME="QTE-20-01-D-02-A-.CR" />
<PART NAME="QTE-20-01-D-02-A-FL" />
<PART NAME="QTE-20-01-D-02-A-FL-.CR" />
<PART NAME="QTE-20-01-D-02-A-GP" />
<PART NAME="QTE-20-01-D-02-A-RT1" />
<PART NAME="QTE-20-01-D-02-GP" />
<PART NAME="QTE-20-01-D-02-SD-A" />

<PART NAME="QTE-20-01-D-03" />
<PART NAME="QTE-20-01-D-03-.CR" />
<PART NAME="QTE-20-01-D-03-A" />
<PART NAME="QTE-20-01-D-03-A.CR" />
<PART NAME="QTE-20-01-D-03-A-GP" />
<PART NAME="QTE-20-01-D-03-A-RT1" />
<PART NAME="QTE-20-01-D-03-FL" />
<PART NAME="QTE-20-01-D-03-FL.CR" />
<PART NAME="QTE-20-01-D-03-GP" />
<PART NAME="QTE-20-01-D-03-SD" />
<PART NAME="QTE-20-01-D-03-SD-A" />
<PART NAME="QTE-20-01-D-04" />
<PART NAME="QTE-20-01-D-04-.CR" />
<PART NAME="QTE-20-01-D-04-A" />
<PART NAME="QTE-20-01-D-04-A.CR" />
<PART NAME="QTE-20-01-D-04-A-GP" />
<PART NAME="QTE-20-01-D-04-GP" />
<PART NAME="QTE-20-01-D-05" />
<PART NAME="QTE-20-01-D-05-.CR" />
<PART NAME="QTE-20-01-D-05-A" />
<PART NAME="QTE-20-01-D-05-A.CR" />
<PART NAME="QTE-20-01-D-05-A-FL" />
<PART NAME="QTE-20-01-D-05-A-FL.CR" />
<PART NAME="QTE-20-01-D-05-A-GP" />
<PART NAME="QTE-20-01-D-05-GP" />
<PART NAME="QTE-20-01-D-EM2-01" />
<PART NAME="QTE-20-01-D-EM2-01-GP" />
<PART NAME="QTE-20-01-D-EM2-02" />
<PART NAME="QTE-20-01-D-EM2-02-GP" />
<PART NAME="QTE-20-01-D-EM2-03" />
<PART NAME="QTE-20-01-D-EM2-03-GP" />
<PART NAME="QTE-20-01-D-EM2-04" />
<PART NAME="QTE-20-01-D-EM2-04-GP" />
<PART NAME="QTE-20-01-D-EM2-05" />
<PART NAME="QTE-20-01-D-EM2-05-GP" />
<PART NAME="QTE-20-01-D-EM3-01" />
<PART NAME="QTE-20-01-D-EM3-01-GP" />
<PART NAME="QTE-20-01-D-EM3-02" />
<PART NAME="QTE-20-01-D-EM3-02-GP" />
<PART NAME="QTE-20-01-D-EM3-03" />
<PART NAME="QTE-20-01-D-EM3-03-GP" />
<PART NAME="QTE-20-01-D-EM3-04" />
<PART NAME="QTE-20-01-D-EM3-04-GP" />
<PART NAME="QTE-20-01-D-EM3-05" />
<PART NAME="QTE-20-01-D-EM3-05-GP" />
<PART NAME="QTE-20-02-D-01" />
<PART NAME="QTE-20-02-D-01-.CR" />
<PART NAME="QTE-20-02-D-01-A" />
<PART NAME="QTE-20-02-D-01-A.CR" />
<PART NAME="QTE-20-02-D-01-A-FL" />
<PART NAME="QTE-20-02-D-01-A-FL.CR" />
<PART NAME="QTE-20-02-D-02" />

<PART NAME="QTE-20-02-D-02-.CR" />
<PART NAME="QTE-20-02-D-02-A" />
<PART NAME="QTE-20-02-D-02-A-.CR" />
<PART NAME="QTE-20-02-D-02-A-FL" />
<PART NAME="QTE-20-02-D-03" />
<PART NAME="QTE-20-02-D-03-.CR" />
<PART NAME="QTE-20-02-D-03-A" />
<PART NAME="QTE-20-02-D-03-A-.CR" />
<PART NAME="QTE-20-02-D-03-FL" />
<PART NAME="QTE-20-02-D-04" />
<PART NAME="QTE-20-02-D-04-.CR" />
<PART NAME="QTE-20-02-D-04-A" />
<PART NAME="QTE-20-02-D-04-A-.CR" />
<PART NAME="QTE-20-02-D-05" />
<PART NAME="QTE-20-02-D-05-.CR" />
<PART NAME="QTE-20-02-D-05-A" />
<PART NAME="QTE-20-02-D-05-A-.CR" />
<PART NAME="QTE-20-02-D-05-A-FL" />
<PART NAME="QTE-20-02-D-05-A-FL-.CR" />
<PART NAME="QTE-20-03-D-01" />
<PART NAME="QTE-20-03-D-01-.CR" />
<PART NAME="QTE-20-03-D-01-A" />
<PART NAME="QTE-20-03-D-01-A-.CR" />
<PART NAME="QTE-20-03-D-02" />
<PART NAME="QTE-20-03-D-02-.CR" />
<PART NAME="QTE-20-03-D-02-A" />
<PART NAME="QTE-20-03-D-02-A-.CR" />
<PART NAME="QTE-20-03-D-03" />
<PART NAME="QTE-20-03-D-03-.CR" />
<PART NAME="QTE-20-03-D-03-A" />
<PART NAME="QTE-20-03-D-03-A-.CR" />
<PART NAME="QTE-20-03-D-04" />
<PART NAME="QTE-20-03-D-04-.CR" />
<PART NAME="QTE-20-03-D-04-A" />
<PART NAME="QTE-20-03-D-04-A-.CR" />
<PART NAME="QTE-20-03-D-05" />
<PART NAME="QTE-20-03-D-05-A" />
<PART NAME="QTE-20-03-D-05-A-.CR" />
<PART NAME="QTE-20-D-01-A" />
<PART NAME="QTE-DP-SAMPLE-BOARD" />
<PART NAME="QTE-EM2-GP-SAMPLE-BOARD" />
</SAMTEC_PCN_PARTS_AFFECTED>