

USB-A-S-X-X-SM1-X-XX

TYPE
-A

CONFIGURATION
-S: SINGLE

PLATING SPECIFICATION

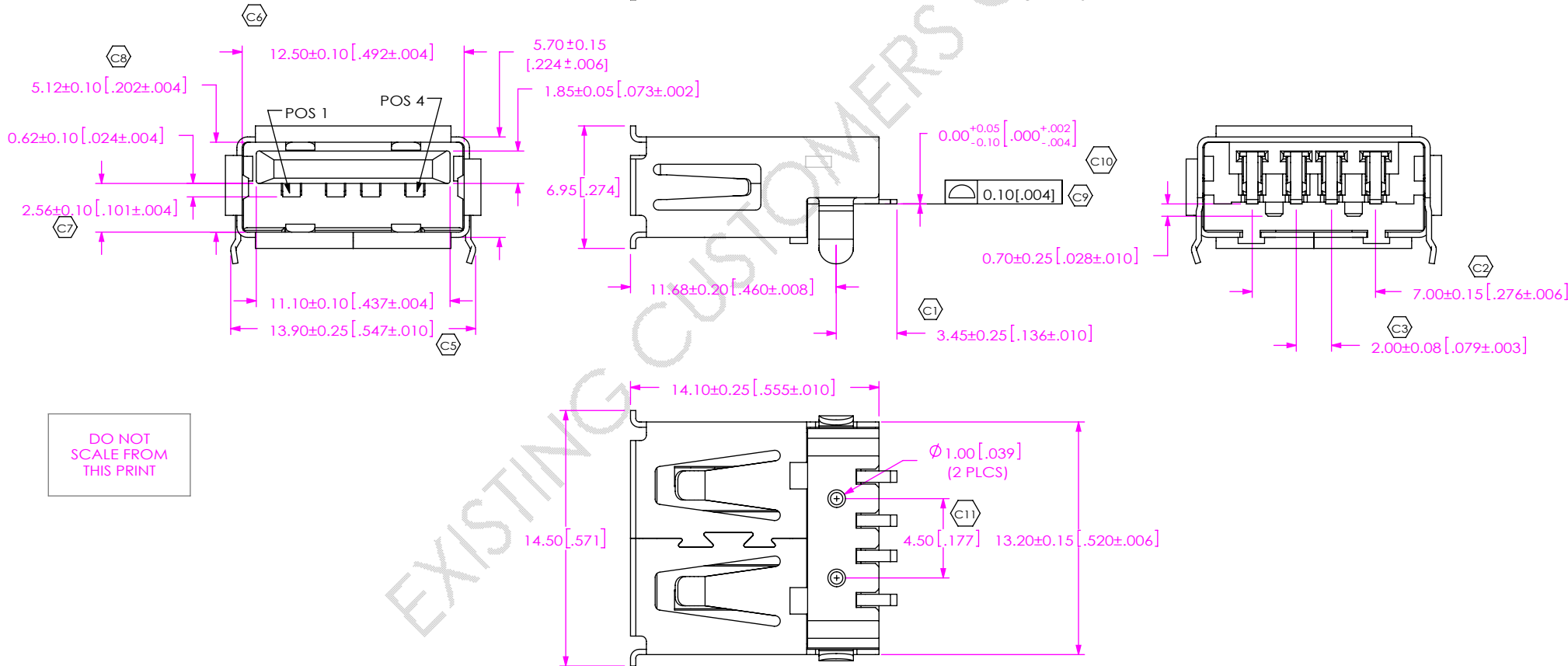
-F: GOLD FLASH ON MATING AREA
MATTE TIN ON TAILS
-S: .000030 GOLD ON MATING AREA
MATTE TIN ON TAILS

PACKAGING
BLANK: TRAY (SEE NOTES 4 & 5)
-TR: TAPE & REEL (SEE NOTES 5 & 6)
-FR: FULL REEL QTY TAPE & REEL
(SEE NOTES 5 & 6)

E&I OPTION
-R: RoHS COMPLIANT

RA TERMINATION
-SM1: SURFACE MOUNT

COLOR
-B: BLACK
-W: WHITE



DO NOT SCALE FROM THIS PRINT

NOTES:

1. (C) REPRESENTS A CRITICAL DIMENSION.
2. VERIFY -S PLATING, VISUALLY CHECK FOR -F GOLD.
3. ALL PARTS ARE RoHS COMPLIANT WITH OR WITHOUT -R.
4. TRAYS ARE STANDARD PACKAGING.
5. ORDERS WILL BE PACKAGED ACCORDING TO THE SAMTEC PACKAGING EFFICIENCY STANDARDS (SPES) FOUND ON WWW.SAMTEC.COM.
6. ATTACH LABEL TO EACH REEL.

DESIGNED & DIMENSIONED IN MILLIMETERS

EXISTING CUSTOMERS

UNLESS OTHERWISE SPECIFIED, DIMENSIONS ARE IN MM.
TOLERANCES ARE:
DECIMALS ANGLES
.X: ±0.15 [.006]
.XX: ±0.08 [.003]
.XXX: ±0.03 [.001]

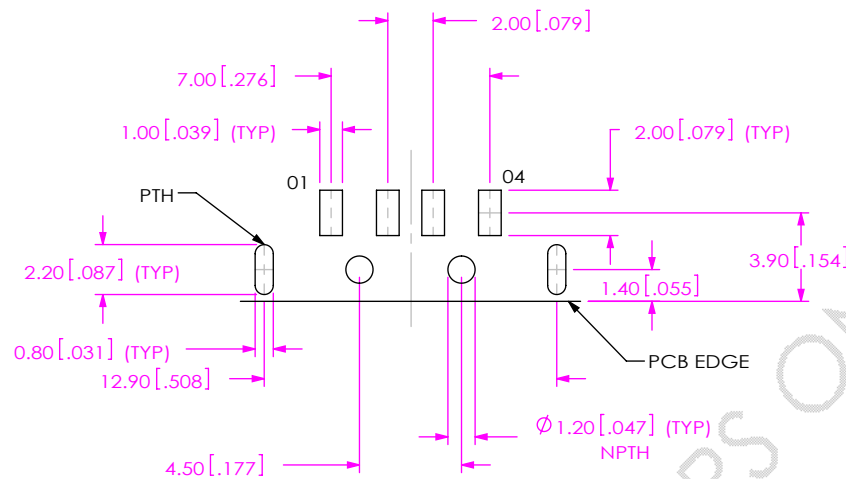
PROPRIETARY NOTE
THIS DOCUMENT CONTAINS CONFIDENTIAL AND PROPRIETARY INFORMATION AND ALL DESIGN, MANUFACTURING, REPRODUCTION, USE, PATENT RIGHTS AND SALES RIGHTS ARE EXPRESSLY RESERVED BY SAMTEC, INC. THIS DOCUMENT SHALL NOT BE DISCLOSED, IN WHOLE OR PART, TO ANY UNAUTHORIZED PERSON OR ENTITY NOR REPRODUCED, TRANSFERRED OR INCORPORATED IN ANY OTHER PROJECT IN ANY MANNER WITHOUT THE EXPRESS WRITTEN CONSENT OF SAMTEC, INC.



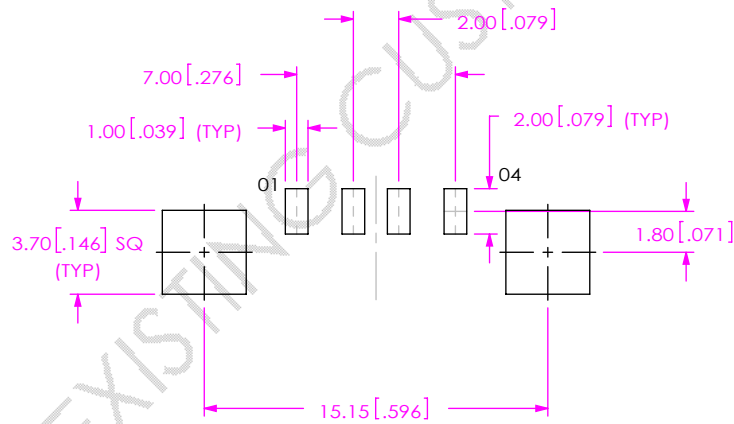
520 PARK EAST BLVD, NEW ALBANY, IN 47150
PHONE: 812-944-6733 FAX: 812-948-5047
e-Mail: info@SAMTEC.com code: 55322

MATERIAL: DO NOT SCALE DRAWING SHEET SCALE: 3:1
INSULATOR: PA9T (RATED UL 94V-0)
CONTACT: PHOS BRONZE
BACK SHIELD: NICKEL PLATED PHOS BRONZE
FRONT SHIELD: TIN PLATED PHOS BRONZE
MAX FLASH ALLOWED: .051 [.0020]
MAX GATE VESTIGE: .051 [.0020]

DESCRIPTION: USB A, SINGLE, SURFACE MOUNT
DWG. NO.: USB-A-S-X-X-SM1-X-XX
BY: B. COOPER 2/6/2007 SHEET 1 OF 2



RECOMMENDED PCB LAYOUT



RECOMMENDED STENCIL LAYOUT
STENCIL TO BE 0.15 [.006] THICK

PROPRIETARY NOTE

THIS DOCUMENT CONTAINS CONFIDENTIAL AND PROPRIETARY INFORMATION AND ALL DESIGN, MANUFACTURING, REPRODUCTION, USE, PATENT RIGHTS AND SALES RIGHTS ARE EXPRESSLY RESERVED BY SAMTEC, INC. THIS DOCUMENT SHALL NOT BE DISCLOSED, IN WHOLE OR PART, TO ANY UNAUTHORIZED PERSON OR ENTITY NOR REPRODUCED, TRANSFERRED OR INCORPORATED IN ANY OTHER PROJECT IN ANY MANNER WITHOUT THE EXPRESS WRITTEN CONSENT OF SAMTEC, INC.



520 PARK EAST BLVD, NEW ALBANY, IN 47150
PHONE: 812-944-6733 FAX: 812-948-5047
e-Mail: info@SAMTEC.com code: 55322

SHEET SCALE: 3:1

DESCRIPTION:
USB A, SINGLE, SURFACE MOUNT

DWG. NO.
USB-A-S-X-X-SM1-X-XX

BY: B. COOPER 2/6/2007 SHEET 2 OF 2