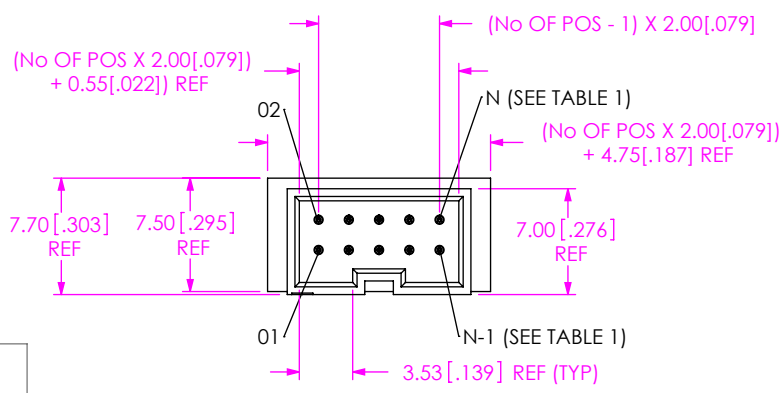


**DESIGNED & DIMENSIONED  
IN MILLIMETERS [INCHES]**

T2SDX-XX-XXX-XX-XX.XX-XX-XXX

**FIG 1**  
T2SDX-05-24-X-XX.XX-S SHOWN



**TEFLON CABLE OPTION**  
-T: TEFLON (AVAILABLE WITH 24, 28, 30 AWG ONLY) (LEAVE BLANK FOR STANDARD PVC INSULATION) (SEE NOTE 10)

**No OF POSITIONS**  
-02, -04, -05, -07, -10, -15, -20, -25, & -30 (PER ROW)  
AVAILABLE AS STANDARD  
-05 THRU -30 AVAILABLE AS ASO FOR POS NOT AVAILABLE AS STANDARD

**WIRE GAUGE (AWG)**  
-24, -26, -28, & -30

**COLOR CODE:**  
(LEAVE BLANK FOR ALL BLACK WIRE)  
\*\*-C: COLOR CODED WIRE. SEE TABLE 3, SHEET 3 FOR COLOR SEQUENCE (AVAILABLE WITH 24 AWG ONLY AND NOT AVAILABLE WITH TEFLON)

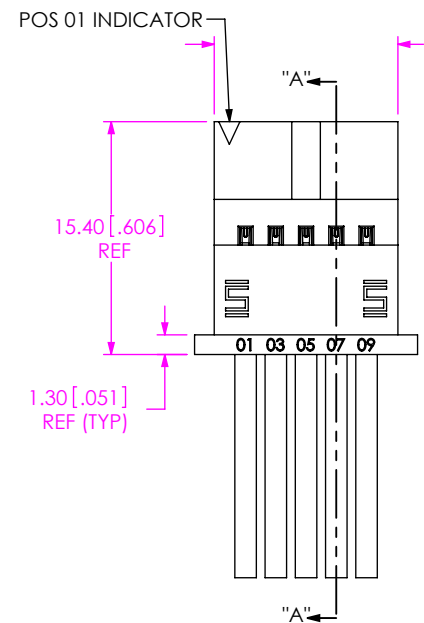
**PLATING SPECIFICATION**  
-L: 10µ" LIGHT SELECTIVE GOLD IN CONTACT AREA, BRIGHT ACID TIN ON TAIL  
-S: 30µ" SELECTIVE GOLD IN CONTACT AREA, BRIGHT ACID TIN ON TAIL  
-F: 3µ" FLASH GOLD IN CONTACT AREA, BRIGHT ACID TIN ON TAIL

**-NXX OPTION (END 2)**  
(ONLY AVAILABLE WITH -D, -T, & -TR)  
-NUS: NOTCH UP, STRAIGHT (PIN 1 TO N-1)  
-NDS: NOTCH DOWN, STRAIGHT (PIN 1 TO 2)  
-NUS: NOTCH UP, CROSSED (PIN 1 TO N)  
-NDX: NOTCH DOWN, CROSSED (PIN 1 TO 1)

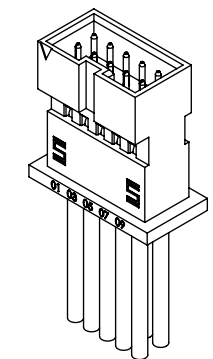
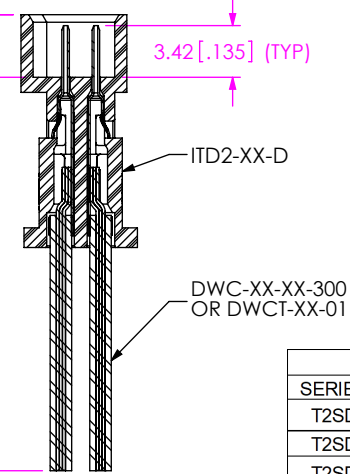
**END OPTION**  
-S: SINGLE ENDED (SEE FIG 1)  
-D: DOUBLE ENDED (SEE FIG'S 2, 3, 4, & 5)  
-T: TRANSFER ENDED (SEE FIG'S 6, 7, 8, & 9)  
-TR: TRANSFER ENDED WITH RETENTION LATCH (SEE FIG'S 10, 11, 12, & 13)

**ASSEMBLED LENGTH**  
SPECIFY IN INCHES  
SINGLE ENDED: 03.00 INCH MINIMUM  
DOUBLE ENDED: 03.25 INCH MINIMUM

DO NOT SCALE FROM THIS PRINT



⊗ ASSEMBLED LENGTH (SEE NOTE 8 & 11)



| No OF POSITIONS | N  | N-1 |
|-----------------|----|-----|
| -02             | 4  | 3   |
| -04             | 8  | 7   |
| -05             | 10 | 9   |
| -07             | 14 | 13  |
| -10             | 20 | 19  |
| -15             | 30 | 29  |
| -20             | 40 | 39  |
| -25             | 50 | 49  |
| -30             | 60 | 59  |

| SERIES | WIRE GAUGE | CABLE         | TERMINAL       | CONTACT*     |
|--------|------------|---------------|----------------|--------------|
| T2SD   | 24         | DWC-24-XX-300 | T-1M82-2426-XX | C-281-2426-X |
| T2SD   | 26         | DWC-26-XX-300 | T-1M82-2426-XX | C-281-2426-X |
| T2SD   | 28         | DWC-28-XX-300 | T-1M82-2830-XX | C-281-2830-X |
| T2SD   | 30         | DWC-30-XX-300 | T-1M82-2830-XX | C-281-2830-X |
| T2SDT  | 24         | DWCT-24-01-TC | T-1M82-2426-XX | C-281-2426-X |
| T2SDT  | 28         | DWCT-28-01-TC | T-1M82-2830-XX | C-281-2830-X |
| T2SDT  | 30         | DWCT-30-01-TC | T-1M82-2830-XX | C-281-2830-X |

NOTES:

- ⊗ REPRESENTS A CRITICAL DIMENSION.
- MINIMUM PULLOUT FORCE: 2.5 LBS [11.1 N].
- ⊗ 3. CONTACTS MUST BE INSERTED UNTIL RETENTION FEATURES LOCK INTO PLACE.
- ⊗ 4. ALL FINISHED GOODS ARE TO BE ELECTRICALLY TESTED INCLUDING HI-POT TEST AT 1000 VOLTS DC. AFTER FINAL ELECTRICAL TEST, LABEL EACH ASSEMBLY WITH (1) LABEL-ET STAMP ON THE BODY.
- TINNED COPPER WIRE IS ROHS COMPLIANT.
- PARTS TO BE LAYER PACKAGED.
- END OF DISCRETE WIRE MUST FALL WITHIN THIS RANGE AFTER CRIMP.
- FOR LENGTHS OF 12.00 INCHES AND LESS, TOLERANCE TO BE ± 3.18[.125], FOR LENGTHS GREATER THAN 12.00 INCHES, TOLERANCE TO BE ± 2%
- REFER TO CRIMP SPECIFICATIONS PRINT FOR CRIMP AND STRIP DIMENSIONS, TOLERANCES, AND TOOLING.
- ASSEMBLIES USING THE FEP OPTION ARE FOR CRIMP APPLICATIONS ONLY.
- CUT LENGTH IS ASSEMBLY LENGTH MINUS OVERALL LENGTH SUBTRACTOR.

UNLESS OTHERWISE SPECIFIED, DIMENSIONS ARE IN MILLIMETERS.  
TOLERANCES ARE:  
DECIMALS ANGLES  
X.X: ±0.3 [01] 2°  
X.XX: ±0.13 [005]  
X.XXX: ±0.051 [0020]

PROPRIETARY NOTE  
THIS DOCUMENT CONTAINS CONFIDENTIAL AND PROPRIETARY INFORMATION AND ALL DESIGN, MANUFACTURING, REPRODUCTION, USE, PATENT RIGHTS AND SALES RIGHTS ARE EXPRESSLY RESERVED BY SAMTEC, INC. THIS DOCUMENT SHALL NOT BE DISCLOSED, IN WHOLE OR PART, TO ANY UNAUTHORIZED PERSON OR ENTITY NOR REPRODUCED, TRANSFERRED OR INCORPORATED IN ANY OTHER PROJECT IN ANY MANNER WITHOUT THE EXPRESS WRITTEN CONSENT OF SAMTEC, INC.



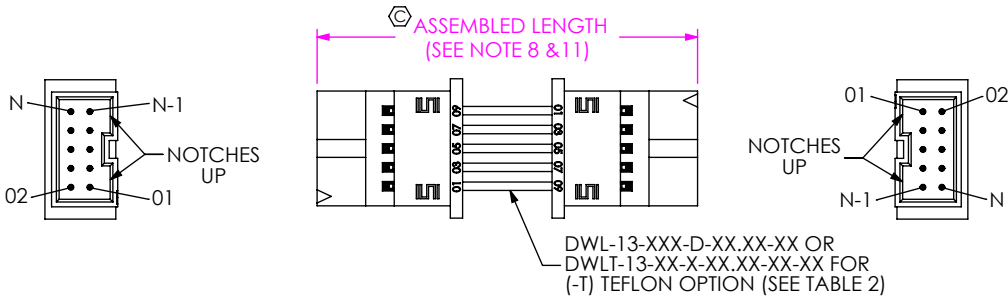
520 PARK EAST BLVD., NEW ALBANY, IN 47150  
PHONE: 812-944-6733 FAX: 812-948-5047  
e-Mail info@SAMTEC.com code 55322

**MATERIAL:**  
INSULATOR: LCP, COLOR: BLACK  
TERMINAL: PHOS BRONZE  
CABLE INSULATION: SEE CALLOUT  
WIRE: TINNED COPPER

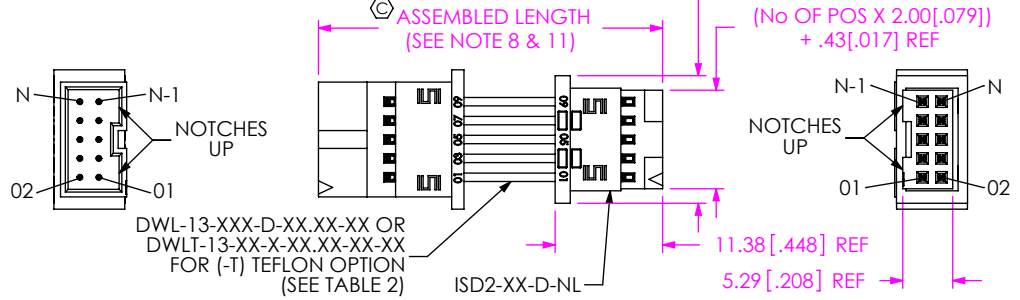
DO NOT SCALE DRAWING SHEET SCALE: 2:1

DESCRIPTION:  
2.00mm TERMINAL DISCRETE CABLE ASSM.  
DWG. NO.  
T2SDX-XX-XXX-XX-XX.XX-XX-XXX  
BY: J. BORGELT 5/18/09 SHEET 1 OF 4

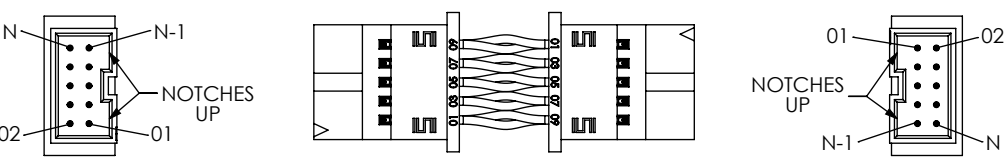
**FIG 2**  
T2SDX-05-28-X-XX.XX-D-NUS SHOWN  
(SAME AS FIG 1 EXCEPT AS SHOWN)  
(PIN 01 TO N-1)



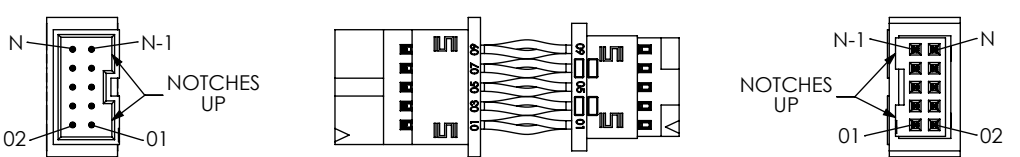
**FIG 6**  
T2SDX-05-28-X-XX.XX-T-NUS SHOWN  
(SAME AS FIG 1 EXCEPT AS SHOWN)  
(PIN 01 TO 01)



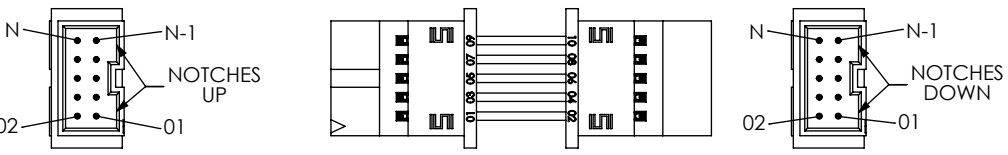
**FIG 3**  
T2SDX-05-28-X-XX.XX-D-NUX SHOWN  
(SAME AS FIG 1 EXCEPT AS SHOWN)  
(PIN 01 TO N)



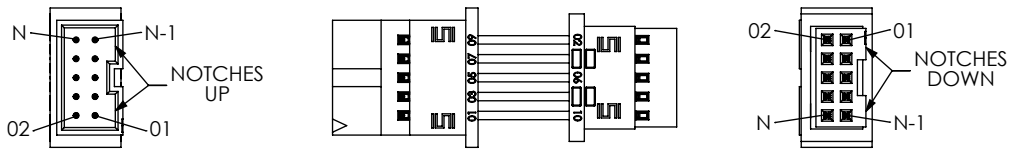
**FIG 7**  
T2SDX-05-28-X-XX.XX-T-NUX SHOWN  
(SAME AS FIG 6 EXCEPT AS SHOWN)  
(PIN 01 TO 02)



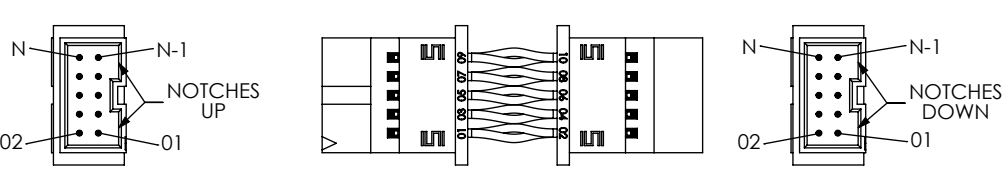
**FIG 4**  
T2SDX-05-28-X-XX.XX-D-NDS SHOWN  
(SAME AS FIG 1 EXCEPT AS SHOWN)  
(PIN 01 TO 02)



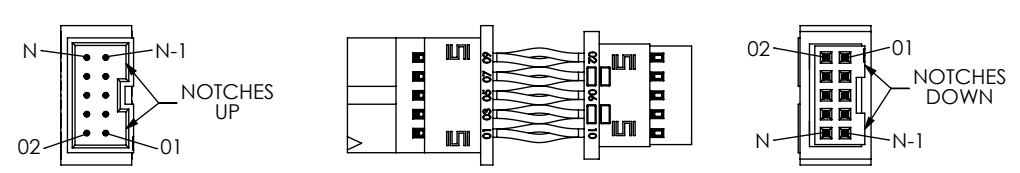
**FIG 8**  
T2SDX-05-28-X-XX.XX-T-NDS SHOWN  
(SAME AS FIG 6 EXCEPT AS SHOWN)  
(PIN 01 TO N)



**FIG 5**  
T2SDX-05-28-X-XX.XX-D-NDX SHOWN  
(SAME AS FIG 1 EXCEPT AS SHOWN)  
(PIN 01 TO 01)



**FIG 9**  
T2SDX-05-28-X-XX.XX-T-NDX SHOWN  
(SAME AS FIG 6 EXCEPT AS SHOWN)  
(PIN 01 TO N-1)



**PROPRIETARY NOTE**  
THIS DOCUMENT CONTAINS CONFIDENTIAL AND PROPRIETARY INFORMATION AND ALL DESIGN, MANUFACTURING, REPRODUCTION, USE, PATENT RIGHTS AND SALES RIGHTS ARE EXPRESSLY RESERVED BY SAMTEC, INC. THIS DOCUMENT SHALL NOT BE DISCLOSED, IN WHOLE OR PART, TO ANY UNAUTHORIZED PERSON OR ENTITY NOR REPRODUCED, TRANSFERRED OR INCORPORATED IN ANY OTHER PROJECT IN ANY MANNER WITHOUT THE EXPRESS WRITTEN CONSENT OF SAMTEC, INC.

DO NOT SCALE DRAWING  
SHEET SCALE: 1:25:1



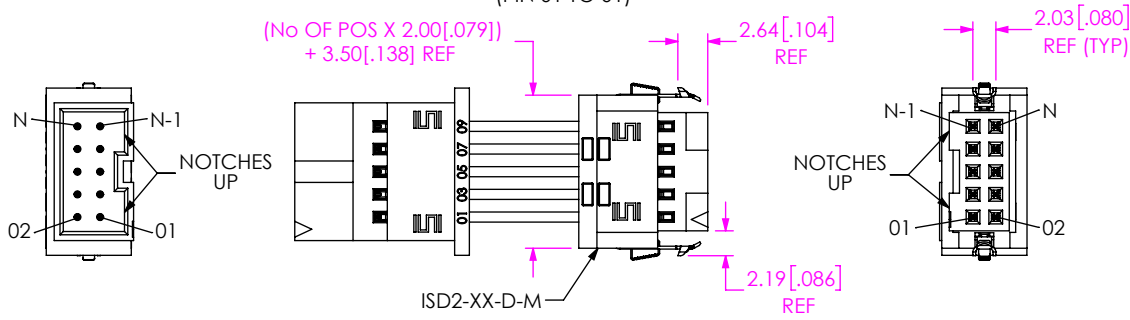
520 PARK EAST BLVD, NEW ALBANY, IN 47150  
PHONE: 812-944-6733 FAX: 812-948-5047  
e-Mail info@SAMTEC.com code 55322

DESCRIPTION:  
2.00mm TERMINAL DISCRETE CABLE ASSM.

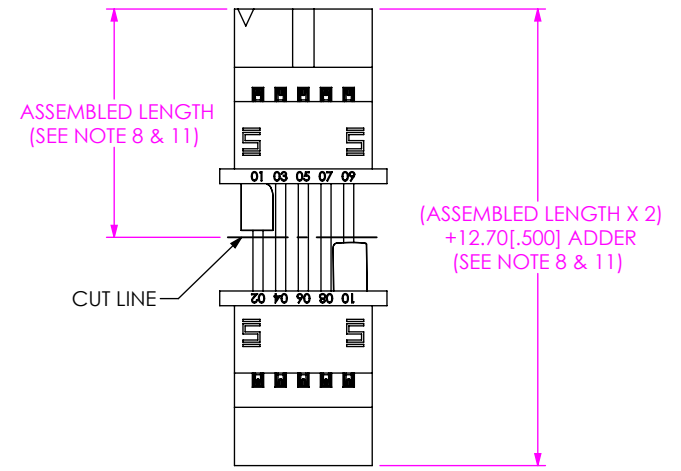
DWG. NO.  
T2SDX-XX-XXX-XX-XX.XX-XXX

BY: J. BORGELT 5/18/09 SHEET 2 OF 4

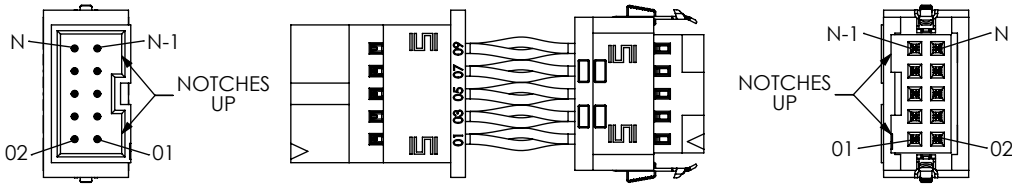
**FIG 10**  
T2SDX-05-28-X-XX.XX-TR-NUS SHOWN  
(SAME AS FIG 6 EXCEPT AS SHOWN)  
(PIN 01 TO 01)



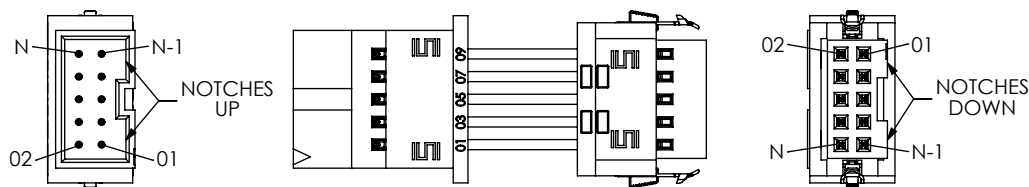
**IN-PROCESS 1**  
(APPLIES TO -S END OPTION ONLY)  
(TO BE BUILT DOUBLE-ENDED INITIALLY  
FOR E-TEST AND THEN SEPERATED)



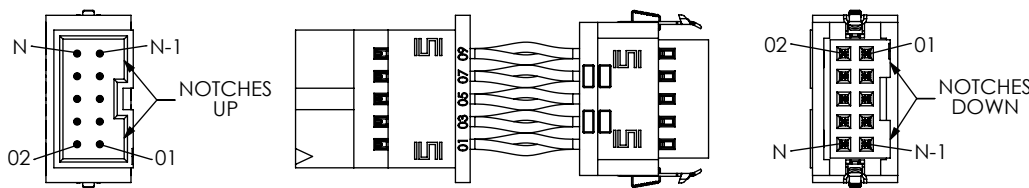
**FIG 11**  
T2SDX-05-28-X-XX.XX-TR-NUX SHOWN  
(SAME AS FIG 10 EXCEPT AS SHOWN)  
(PIN 01 TO 02)



**FIG 12**  
T2SDX-05-28-X-XX.XX-TR-NDS SHOWN  
(SAME AS FIG 10 EXCEPT AS SHOWN)  
(PIN 01 TO N)



**FIG 13**  
T2SDX-05-28-X-XX.XX-TR-NDX SHOWN  
(SAME AS FIG 10 EXCEPT AS SHOWN)  
(PIN 01 TO N-1)



**TABLE 3**  
COLOR SEQUENCE

|       | BROWN | RED | ORANGE | YELLOW | GREEN | VIOLET | GRAY | WHITE | BLACK | BLUE |
|-------|-------|-----|--------|--------|-------|--------|------|-------|-------|------|
| POS # | 1     | 2   | 3      | 4      | 5     | 6      | 7    | 8     | 9     | 10   |
|       | 11    | 12  | 13     | 14     | 15    | 16     | 17   | 18    | 19    | 20   |
|       | 21    | 22  | 23     | 24     | 25    | 26     | 27   | 28    | 29    | 30   |
|       | 31    | 32  | 33     | 34     | 35    | 36     | 37   | 38    | 39    | 40   |
|       | 41    | 42  | 43     | 44     | 45    | 46     | 47   | 48    | 49    | 50   |
|       | 51    | 52  | 53     | 54     | 55    | 56     | 57   | 58    | 59    | 60   |
|       | 61    | 62  | 63     | 64     | 65    | 66     | 67   | 68    | 69    | 70   |
|       | 71    | 72  | 73     | 74     | 75    | 76     | 77   | 78    | 79    | 80   |
|       | 81    | 82  | 83     | 84     | 85    | 86     | 87   | 88    | 89    | 90   |
|       | 91    | 92  | 93     | 94     | 95    | 96     | 97   | 98    | 99    | 100  |

**PROPRIETARY NOTE**  
THIS DOCUMENT CONTAINS CONFIDENTIAL AND PROPRIETARY INFORMATION AND ALL DESIGN, MANUFACTURING, REPRODUCTION, USE, PATENT RIGHTS AND SALES RIGHTS ARE EXPRESSLY RESERVED BY SAMTEC, INC. THIS DOCUMENT SHALL NOT BE DISCLOSED, IN WHOLE OR PART, TO ANY UNAUTHORIZED PERSON OR ENTITY NOR REPRODUCED, TRANSFERRED OR INCORPORATED IN ANY OTHER PROJECT IN ANY MANNER WITHOUT THE EXPRESS WRITTEN CONSENT OF SAMTEC, INC.

DO NOT SCALE DRAWING

SHEET SCALE: 1.5:1



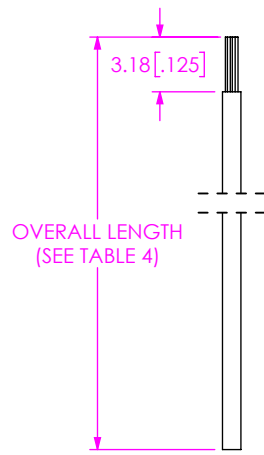
520 PARK EAST BLVD, NEW ALBANY, IN 47150  
PHONE: 812-944-6733 FAX: 812-948-5047  
e-Mail info@SAMTEC.com code 55322

DESCRIPTION:  
2.00mm TERMINAL DISCRETE CABLE ASSM.

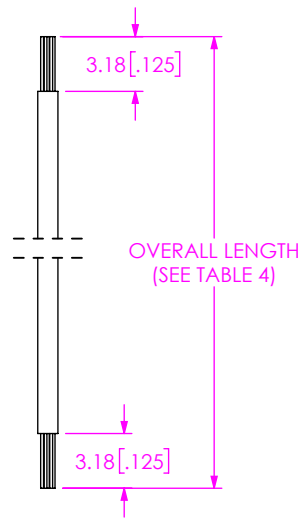
DWG. NO.  
T2SDX-XX-XXX-XX-XX.XX-XX-XXX

BY: J. BORGELT 5/18/09 SHEET 3 OF 4

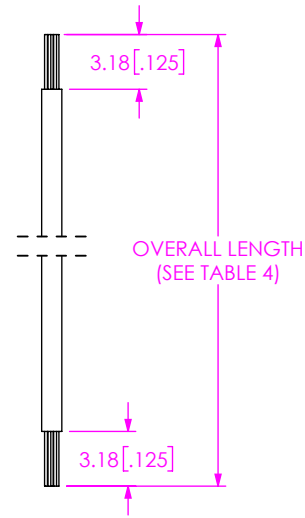
CABLE CUT IN-PROCESS



-S: SINGLE END



-D: DOUBLE END



-T: TRANSFER END

| TABLE 4<br>( OVERALL LENGTH SUBTRACTORS)<br>(SEE NOTE 11) |              |
|---|--------------|
|   | LENGTH       |
| -S:<br>SINGLE END   | .375 [9.53]  |
| -D:<br>DOUBLE END   | .750 [19.05] |
| -T:<br>TRANSFER END                                       | .600 [15.24] |

**PROPRIETARY NOTE**

THIS DOCUMENT CONTAINS CONFIDENTIAL AND PROPRIETARY INFORMATION AND ALL DESIGN, MANUFACTURING, REPRODUCTION, USE, PATENT RIGHTS AND SALES RIGHTS ARE EXPRESSLY RESERVED BY SAMTEC, INC. THIS DOCUMENT SHALL NOT BE DISCLOSED, IN WHOLE OR PART, TO ANY UNAUTHORIZED PERSON OR ENTITY NOR REPRODUCED, TRANSFERRED OR INCORPORATED IN ANY OTHER PROJECT IN ANY MANNER WITHOUT THE EXPRESS WRITTEN CONSENT OF SAMTEC, INC.



520 PARK EAST BLVD, NEW ALBANY, IN 47150  
PHONE: 812-944-6733 FAX: 812-948-5047  
e-Mail info@SAMTEC.com code 55322

SHEET SCALE: 1.5:1

DESCRIPTION:  
2.00mm TERMINAL DISCRETE CABLE ASSM.

DWG. NO.  
T2SDX-XX-XXX-XX-XX.XX-XX-XXX

BY: J. BORGELT 5/18/09 SHEET 4 OF 4