

DESIGNED & DIMENSIONED
IN MILLIMETERS [INCHES]

DO NOT
SCALE FROM
THIS PRINT

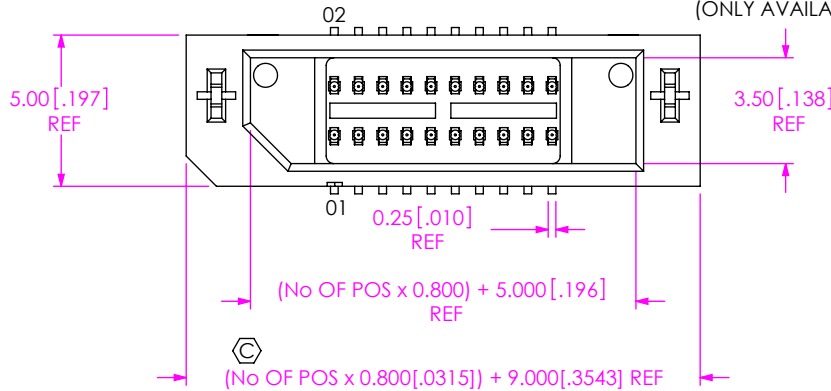
TEMX-1XX-XX-XX.X-XX-D-XX-XX

BODY OPTION

(LEAVE BLANK IF OPTION NOT USED)
S: SLIM
(NOT AVAILABLE WITH -LC, -WT OR -L1)
(USE TEMS-XX-XX.X, SEE FIG 6, SHEET 2)
(ONLY AVAILABLE WITH -K-TR)

OPTION

-TR: TAPE & REEL
(SEE NOTES 7 & 8)
-K: POLYIMIDE FILM
(USE K-DOT-.217-.313-.005,
SEE FIG 5, SHT 2)



No OF POSITIONS

-05 THRU -50 (PER ROW)
(5 POS INCREMENTS)

LEAD STYLE

-02: SURFACE MOUNT

STACK HEIGHT

-03.0: (6 mm STACK HEIGHT) (T-1M58-03.0-XX)
-04.0: (7 mm STACK HEIGHT) (T-1M58-04.0-XX)
-07.0: (10 mm STACK HEIGHT) (T-1M58-07.0-XX)

PLATING SPECIFICATION

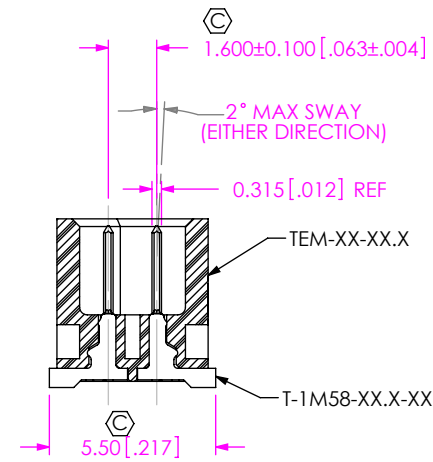
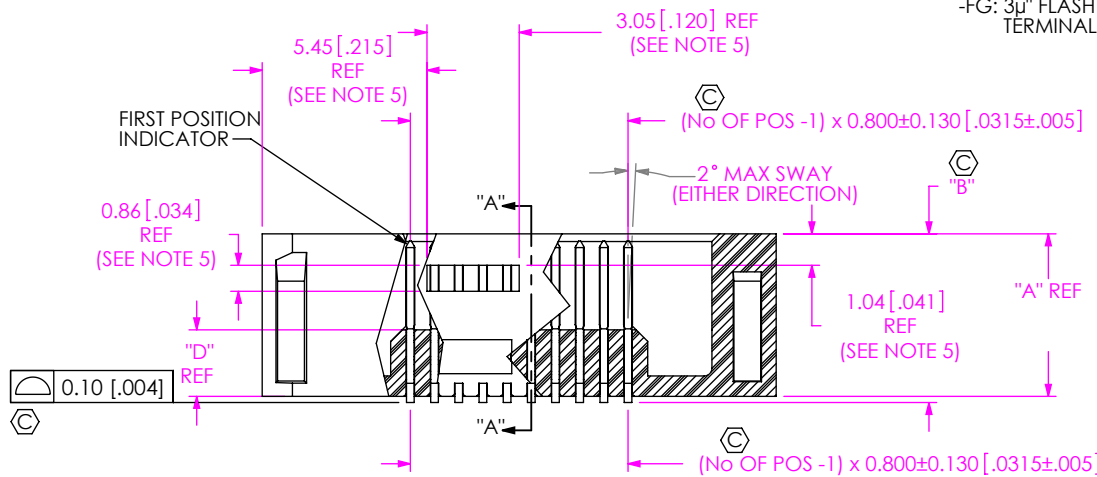
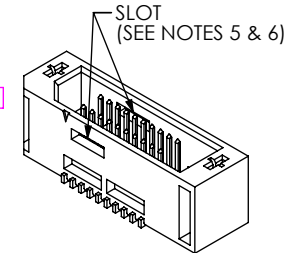
-H: 30µ" HEAVY GOLD IN CONTACT AREA
3µ" ON TAIL
-G: 10µ" GOLD IN CONTACT AREA
3µ" ON TAIL
-FG: 3µ" FLASH GOLD ON ENTIRE
TERMINAL

OPTION

-A: ALIGNMENT PIN (SEE FIG 2, SHEET 2)
(NOT AVAILABLE WITH -LC, -WT, -L1)
-LC: LOCKING CLIP (SEE FIG 3, SHEET 2)
(NOT AVAILABLE WITH -A, -WT, -L1)
-WT: WELD TAB (SEE FIG 4, SHEET 2)
(NOT AVAILABLE WITH -A, -LC, -L1)
-L1: LATCHING (SEE FIG 7, SHEET 3)
(ONLY AVAILABLE ON -03.0 STACK
HEIGHT AND 5 - 20 POS)
(NOT AVAILABLE WITH -A, -LC, -WT)

ROW SPECIFICATION

-D: DOUBLE ROW



SECTION "A"- "A"

FIG 1
TEM-110-02-03.0-XX-D SHOWN

STACK HEIGHT	"A"	"B"	"C"	"D"
-03.0	5.375 [.2116]	5.610 [.2209]	5.742 [.2261]	2.200 [.0866]
-04.0	6.375 [.2510]	6.610 [.2602]	6.742 [.2654]	3.200 [.1260]
-07.0	9.375 [.3690]	9.610 [.3783]	9.742 [.2835]	6.200 [.2441]

- NOTES:
- ⊕ REPRESENTS A CRITICAL DIMENSION.
 - MINIMUM PUSHOUT FORCE FOR TERMINAL, LOCKING CLIP AND WELD TAB: 2.22N [0.50LBF].
 - MAXIMUM POST HEIGHT VARIATION BETWEEN ANY TWO PINS: 0.13 [.005]
 - TEM PARTS TO BE PACKAGED IN TRAYS UNLESS OTHERWISE SPECIFIED.
 - POSITIONS -05 THRU -20 WILL HAVE ONLY ONE SLOT PER SIDE.
POSITIONS -25 THRU -40 WILL HAVE TWO SLOTS PER SIDE.
POSITIONS -45 THRU -50 WILL HAVE THREE SLOTS PER SIDE.
 - SLOTS ONLY AVAILABLE IN -03.0 LEAD STYLE.
 - TEMS-TR ONLY FOR QUANTITIES UP TO 49 PIECES, NO LEADER, TRAILER, OR REEL WILL BE SUPPLIED.
FOR QUANTITIES 50-124, NO LEADER, OR TRAILER WILL BE SUPPLIED.
 - ALL SAMPLES AND/OR NO CHARGE ORDERS ARE REQUIRED TO BE PACKAGED IN SUSPENSION PACKS AND NOT T&R.

UNLESS OTHERWISE SPECIFIED,
DIMENSIONS ARE IN MILLIMETERS.
TOLERANCES ARE:
DECIMALS ANGLES
X.X: ±0.3 [.01] 2°
X.XX: ±0.13 [.005]
X.XXX: ±0.051 [.0020]

PROPRIETARY NOTE
THIS DOCUMENT CONTAINS CONFIDENTIAL AND
PROPRIETARY INFORMATION AND ALL DESIGN,
MANUFACTURING, REPRODUCTION, USE, PATENT RIGHTS
AND SALES RIGHTS ARE EXPRESSLY RESERVED BY SAMTEC,
INC. THIS DOCUMENT SHALL NOT BE DISCLOSED, IN WHOLE
OR PART, TO ANY UNAUTHORIZED PERSON OR ENTITY NOR
REPRODUCED, TRANSFERRED OR INCORPORATED IN ANY
OTHER PROJECT IN ANY MANNER WITHOUT THE EXPRESS
WRITTEN CONSENT OF SAMTEC, INC.

MATERIAL: DO NOT SCALE DRAWING SHEET SCALE: 4:1
INSULATOR: LCP, COLOR: BLACK
-L OPTION ONLY: LCP, COLOR: NATURAL
TERMINAL AND LOCKING CLIP: PHOS BRONZE 510
WELD TAB: BRASS ALLOY 260, FULL HARD



520 PARK EAST BLVD, NEW ALBANY, IN 47150
PHONE: 812-944-6733 FAX: 812-948-5047
e-Mail info@SAMTEC.com code 55322

DESCRIPTION:
0.8 mm TIGER EYE MICRO TERMINAL
DWG. NO.
TEMX-1XX-XX-XX.X-XX-D-XX-XX
BY: B RAY 10/18/2007 SHEET 1 OF 3

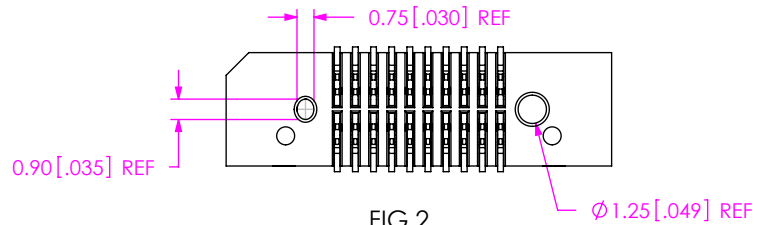
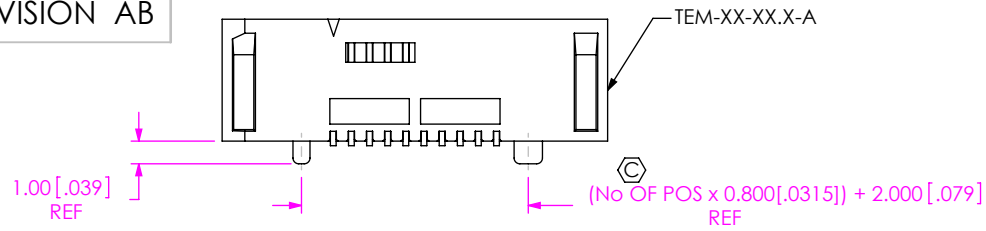


FIG 2
TEM-110-02-03.0-XX-D-A SHOWN
(SAME AS FIG 1, DIFFERENT AS SHOWN)

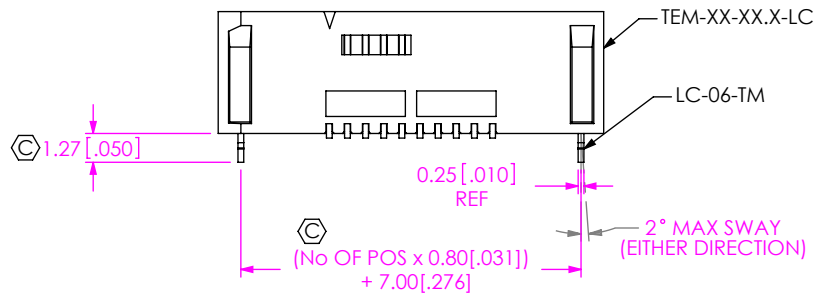


FIG 3
TEM-110-02-03.0-XX-D-LC SHOWN
(SAME AS FIG 1, DIFFERENT AS SHOWN)

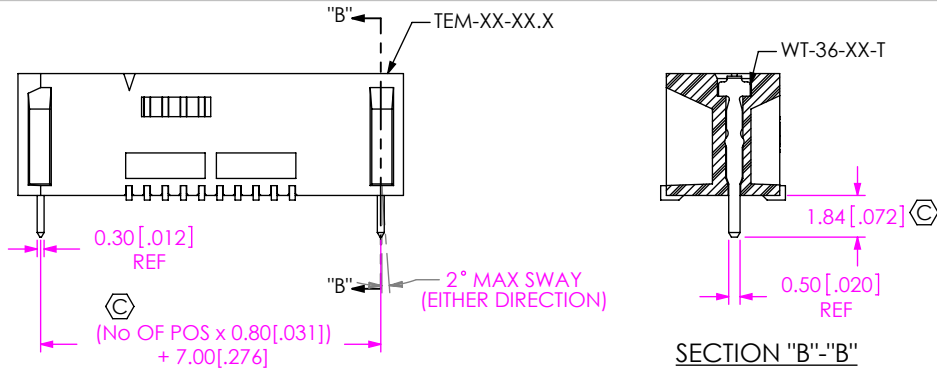


FIG 4
TEM-110-02-03.0-XX-D-WT SHOWN
(SAME AS FIG 1, DIFFERENT AS SHOWN)

TABLE 2

STACK HEIGHT	WELD TAB
-03.0	WT-36-02-X
-04.0	WT-36-03-X
-07.0	WT-36-04-X

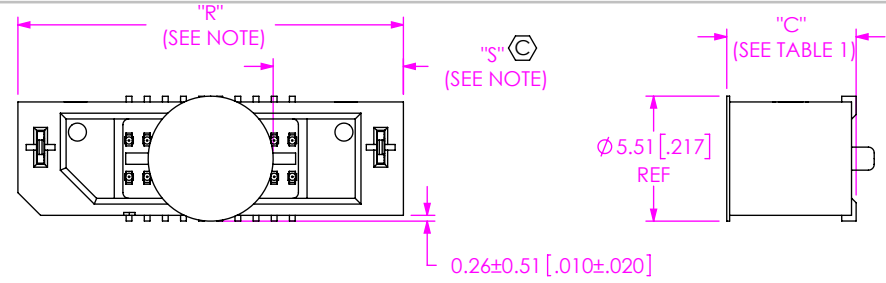


FIG 5
TEM-110-02-03.0-XX-D-K SHOWN
(SAME AS FIG 1, DIFFERENT AS SHOWN)

NOTE: "R" = OVERALL LENGTH (REF)
"S" = $\{("R" - 5.51 [.217])/2 [.0787]\} \pm 0.51 [.020]$

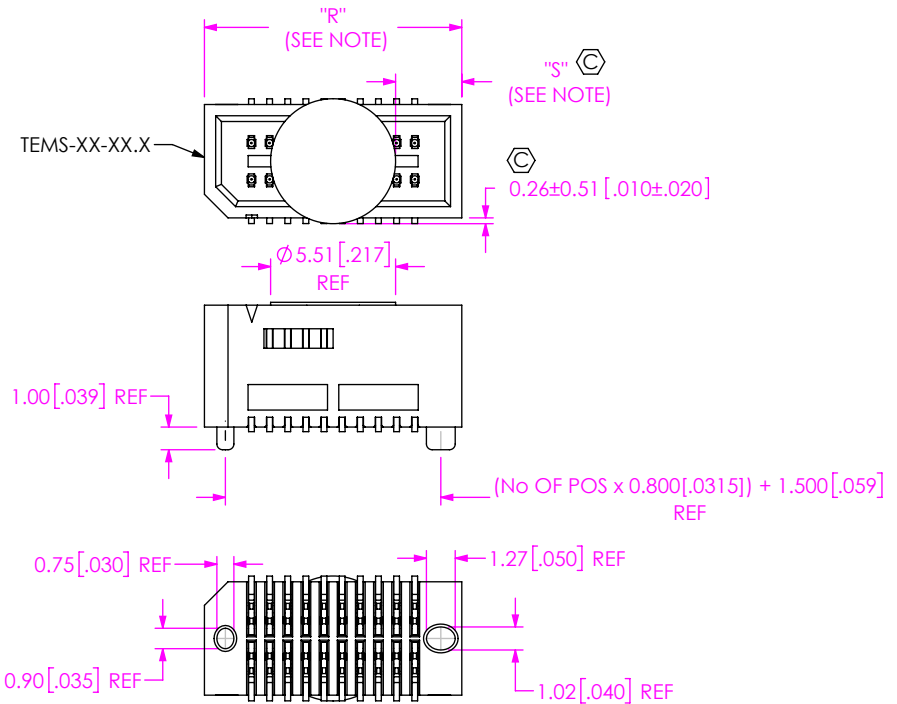


FIG 6
TEMS-110-02-03.0-XX-D-A-K SHOWN
(SAME AS FIG 1, DIFFERENT AS SHOWN)

NOTE: "R" = $((\text{No OF POS} \times 0.800) + 3.35) \pm 0.05$
"S" = $\{("R" - 5.51 [.217])/2 [.0787]\} \pm 0.51 [.020]$

PROPRIETARY NOTE
THIS DOCUMENT CONTAINS CONFIDENTIAL AND PROPRIETARY INFORMATION AND ALL DESIGN, MANUFACTURING, REPRODUCTION, USE, PATENT RIGHTS AND SALES RIGHTS ARE EXPRESSLY RESERVED BY SAMTEC, INC. THIS DOCUMENT SHALL NOT BE DISCLOSED, IN WHOLE OR PART, TO ANY UNAUTHORIZED PERSON OR ENTITY NOR REPRODUCED, TRANSFERRED OR INCORPORATED IN ANY OTHER PROJECT IN ANY MANNER WITHOUT THE EXPRESS WRITTEN CONSENT OF SAMTEC, INC.

DO NOT SCALE DRAWING

SHEET SCALE: 3:1

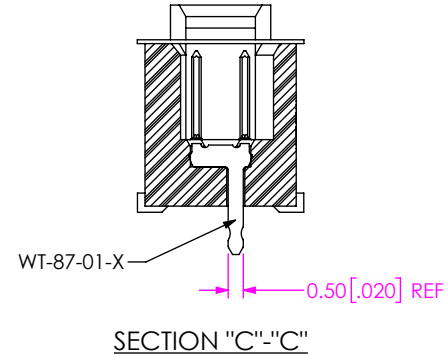
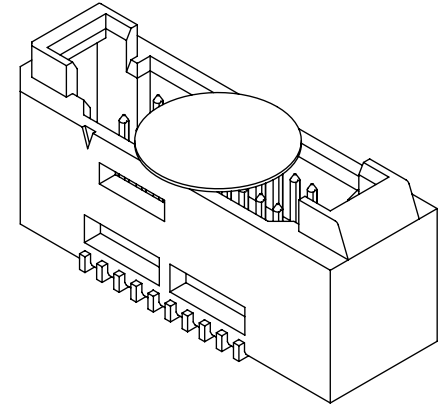
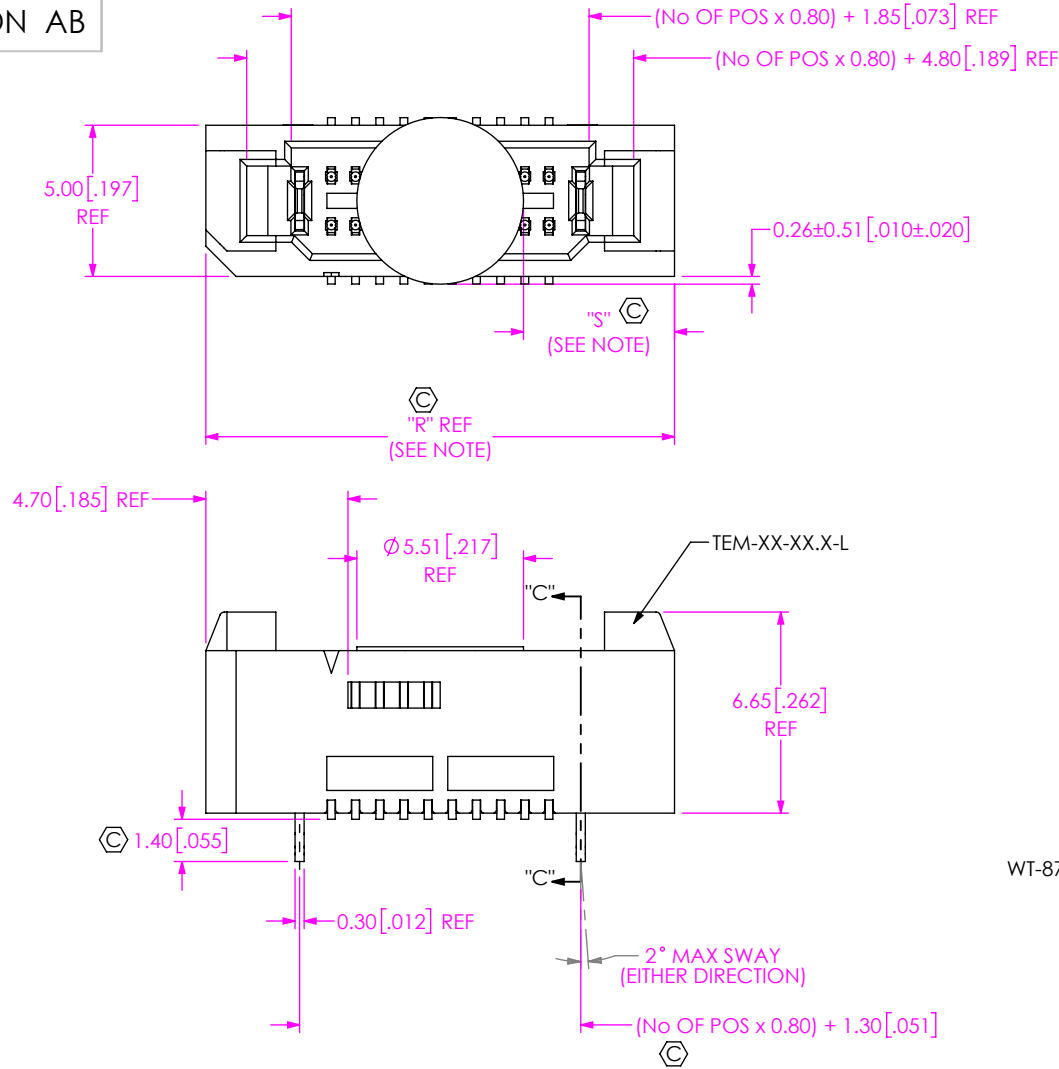


520 PARK EAST BLVD, NEW ALBANY, IN 47150
PHONE: 812-944-6733 FAX: 812-948-5047
e-Mail info@SAMTEC.com code 55322

DESCRIPTION:
0.8mm TIGER EYE MICRO TERMINAL

DWG. NO.
TEMX-1XX-XX-XX.X-XX-D-XX-XX

BY: B RAY 10/18/2007 SHEET 2 OF 3



NOTE: "R" = (No OF POS x 0.80) + 7.50 [.295] REF
 "S" = {("R" - 5.51 [.217])/2} ± 0.51 [.020]

FIG 7
 TEM-1 10-02-03.0-XX-D-L1-K SHOWN
 (SAME AS FIG 1, DIFFERENT AS SHOWN)

PROPRIETARY NOTE
 THIS DOCUMENT CONTAINS CONFIDENTIAL AND PROPRIETARY INFORMATION AND ALL DESIGN, MANUFACTURING, REPRODUCTION, USE, PATENT RIGHTS AND SALES RIGHTS ARE EXPRESSLY RESERVED BY SAMTEC, INC. THIS DOCUMENT SHALL NOT BE DISCLOSED, IN WHOLE OR PART, TO ANY UNAUTHORIZED PERSON OR ENTITY NOR REPRODUCED, TRANSFERRED OR INCORPORATED IN ANY OTHER PROJECT IN ANY MANNER WITHOUT THE EXPRESS WRITTEN CONSENT OF SAMTEC, INC.

DO NOT SCALE DRAWING

SHEET SCALE: 4:1

samtec

520 PARK EAST BLVD, NEW ALBANY, IN 47150
 PHONE: 812-944-6733 FAX: 812-948-5047
 e-Mail info@SAMTEC.com code 55322

DESCRIPTION:
 0.8mm TIGER EYE MICRO TERMINAL

DWG. NO.
 TEMX-1XX-XX-XX.X-XX-D-XX-XX

BY: B RAY 10/18/2007 SHEET 3 OF 3