

DO NOT SCALE FROM THIS PRINT

- NOTES:
1. $\text{\textcircled{C}}$ REPRESENTS A CRITICAL DIMENSION.
 2. MINIMUM PUSHOUT FORCE: 2 LB.
 3. FOR NON -LC & -A, USE 2TS-XX-D.
 4. COPLANARITY TO INCLUDE INSULATOR.
 5. MAX BURR ALLOWANCE: .002[0.05].
 6. MAXIMUM CUT FLASH: .015[0.38]. (NO FLASH TO BE ON BOTTOM OF BODY).
 7. -MT OPTION: PIN B TO BE FLUSH TO +/- .003" A LINE MADE BY THE BODY
-DH OPTION: PIN A TO BE FLUSH TO .003" ABOVE A LINE MADE BY THE BODY
PIN B TO BE FLUSH TO .001" BELOW/.003" ABOVE A LINE MADE BY THE BODY
-SH OPTION: PIN A TO BE FLUSH TO +/- .003" A LINE MADE BY THE BODY.
 8. ORIENTATE PINS TO REDUCE THE NUMBER OF BANDOLIERS MARKS IN THE POST AREA. (SEE TABLE 4)
 9. DUE TO THE HIGH AMOUNT OF INSERTION FORCE NEEDED, THE -LC OPTION IS NOT COMPATIBLE WITH AUTO PLACEMENT. SAMTEC RECOMMENDS MANUAL PLACEMENT FOR ALL ASSEMBLIES WITH THE -LC OPTION.
 10. NOTE DELETED.

TABLE 2

LEAD STYLE	PIN A	PIN B	"C"	"D" REF
-01-SH	T-1S13-20-X-2	N/A	.126 [3.20]	.118 [3.00]
-01-DH	T-1S13-09-X-2	T-1S13-09-X-2	.126 [3.20]	.389 [9.88]
-01-MT	T-1S13-09-X-2	T-1S13-09-X-2	.126 [3.20]	N/A
-02-MT	T-1S13-09-X-2	T-1S13-09-X-2	.175 [4.45]	.331 [8.41]
-02-SH	T-1S13-02-X-2	N/A	.175 [4.45]	.123 [3.12]
-02-DH	T-1S13-09-X-2	T-1S13-09-X-2	.175 [4.45]	.331 [8.41]

MMT-1XX-XX-XX-XX-XX-XXX-X-XX

- No. OF POSITIONS**
-02 THRU -50 (PER ROW)
- LEAD STYLE**
-01: .126 [3.20] POST
-02: .175 [4.45] POST
(SEE TABLE 2)
- PLATING SPECIFICATION**
-H: 30 μ " HEAVY GOLD IN CONTACT AREA, 3 μ " ON TAIL
-S: 30 μ " SELECTIVE GOLD IN CONTACT AREA, MATTE TIN ON TAIL
-L: 10 μ " LIGHT SELECTIVE GOLD IN CONTACT AREA, MATTE TIN ON TAIL
-F: 3 μ " FLASH SELECTIVE GOLD IN CONTACT AREA, MATTE TIN ON TAIL
-T: MATTE TIN CONTACT AND TAIL
-SM: 30 μ " SELECTIVE GOLD IN CONTACT AREA, MATTE TIN ON TAIL
-LM: 10 μ " LIGHT SELECTIVE GOLD IN CONTACT AREA, MATTE TIN ON TAIL
-FM: 3 μ " FLASH SELECTIVE GOLD IN CONTACT AREA, MATTE TIN ON TAIL
-TM: MATTE TIN CONTACT AND TAIL
- OPTION**
-TR: TAPE AND REEL (37 POSITION MAX) (SEE SHT 5)
- OPTION**
-P: PICK & PLACE PAD (USE PPP-13) (2 POSITION MINIMUM)
- OPTION**
-XXX: POLARIZED POSITION
-XXX SPECIFIES POSITION OMITTED (SEE POLARIZATION VIEW)
- OPTION (SEE NOTE 3)**
-LC: LOCKING CLIP (SEE NOTE 9) (FOR -DH USE 2TS-XX-DH-LC-XX) (FOR -SH USE 2TS-XX-SH) (NOT AVAILABLE WITH -A)
-A: ALIGNMENT PIN (FOR -DH USE 2TS-XX-DH-A-XX) (FOR -SH USE 2TS-XX-SH-A-XX) (NOT AVAILABLE WITH -LC)
-K: POLYIMIDE FILM PAD (SEE FIG 14, SHT 6) (3 POS. MIN) (USE K-DOT-.177-.281-.005)
- ROW OPTION**
-SH: SINGLE (2TS-XX-SH-X-XX)
-DH: DOUBLE (2TS-XX-DH-XX-XX)
-MT: MIXED TECHNOLOGY (2TS-XX-DH-XX-XX) (NOT AVAILABLE WITH -LC, OR -A OPTIONS)

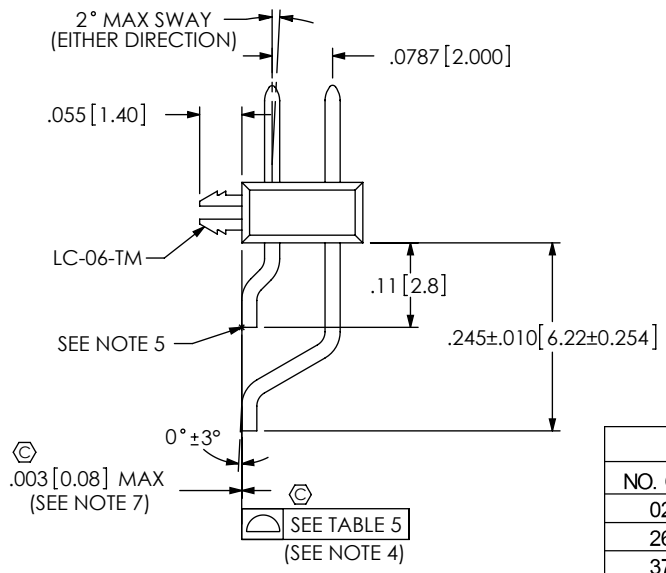
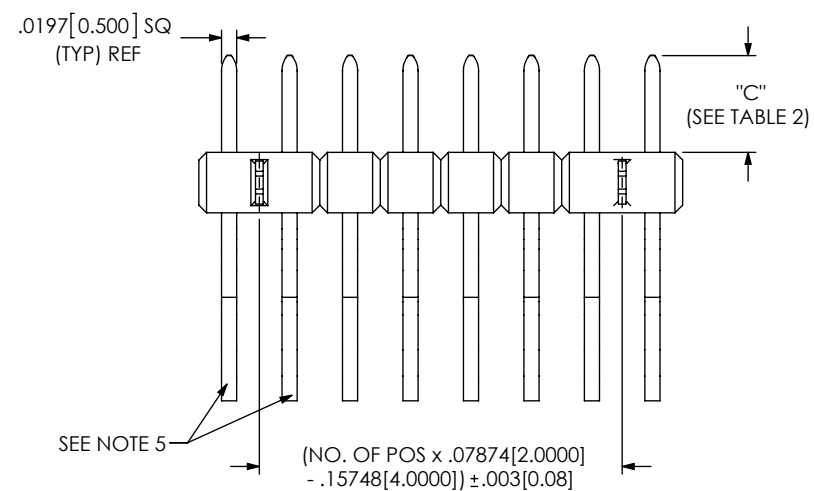
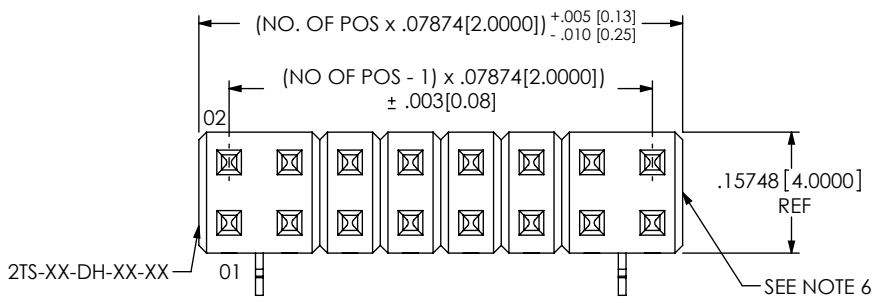


TABLE 5

NO. OF POS	COPLANARITY
02 - 25	.004[0.10]
26 - 36	.006[0.15]
37 - 50	.008[0.20]

FIG 1
MMT-108-01-X-DH-LC SHOWN

<p>UNLESS OTHERWISE SPECIFIED, DIMENSIONS ARE IN INCHES.</p> <p>TOLERANCES ARE:</p> <p>DECIMALS ANGLES</p> <p>.XX: ±.01 [.3] 5°</p> <p>.XXX: ±.005 [.13]</p> <p>.XXXX: ±.0020 [.051]</p>	<p>PROPRIETARY NOTE</p> <p>THIS DOCUMENT CONTAINS CONFIDENTIAL AND PROPRIETARY INFORMATION AND ALL DESIGN, MANUFACTURING, REPRODUCTION, USE, PATENT RIGHTS AND SALES RIGHTS ARE EXPRESSLY RESERVED BY SAMTEC, INC. THIS DOCUMENT SHALL NOT BE DISCLOSED, IN WHOLE OR PART, TO ANY UNAUTHORIZED PERSON OR ENTITY NOR REPRODUCED, TRANSFERRED OR INCORPORATED IN ANY OTHER PROJECT IN ANY MANNER WITHOUT THE EXPRESS WRITTEN CONSENT OF SAMTEC, INC.</p>	<p>520 PARK EAST BLVD, NEW ALBANY, IN 47150 PHONE: 812-944-6733 FAX: 812-948-5047 e-Mail: info@SMAITEC.com code 55322</p>

F:\DWG\MISC\MKTG\MMT-1XX-XX-XX-XX-XXX-X-XX-MKT.SLDDRW

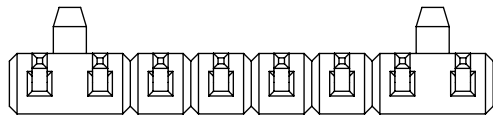
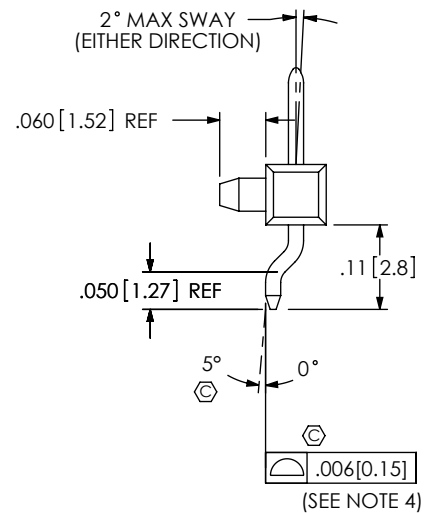
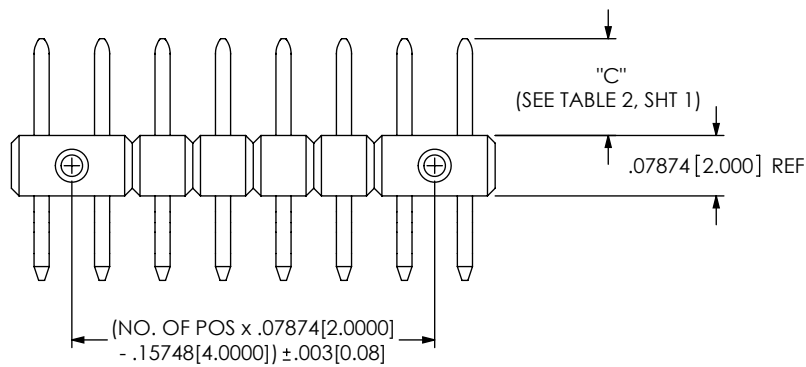
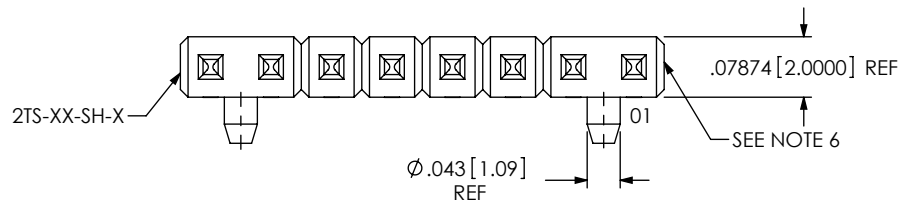



FIG 2
MMT-108-01-X-SH-A SHOWN
(DIFFERENT AS SHOWN, OTHERWISE SAME AS FIG 1)

F:\DWG\MISC\MKTG\MMT-1XX-XX-XX-XX-XXX-X-XX-MKT.SLDRW

<p>* PROPRIETARY NOTE *</p> <p>THIS DOCUMENT CONTAINS CONFIDENTIAL AND PROPRIETARY INFORMATION AND ALL DESIGN, MANUFACTURING, REPRODUCTION, USE, PATENT RIGHTS AND SALES RIGHTS ARE EXPRESSLY RESERVED BY SAMTEC, INC. THIS DOCUMENT SHALL NOT BE DISCLOSED, IN WHOLE OR PART, TO ANY UNAUTHORIZED PERSON OR ENTITY NOR REPRODUCED, TRANSFERRED OR INCORPORATED IN ANY OTHER PROJECT IN ANY MANNER WITHOUT THE EXPRESS WRITTEN CONSENT OF SAMTEC, INC.</p> <p>DO NOT SCALE DRAWING</p> <p>SHEET SCALE: 4:1</p>	 <p>520 PARK EAST BLVD, NEW ALBANY, IN 47150 PHONE: 812-944-6733 FAX: 812-948-5047 e-Mail: info@SAMTEC.com code: 55322</p>	
	DESCRIPTION: 2mm HORIZONTAL TERMINAL SURFACE MOUNT STRIP ASSEM	
	DWG. NO. MMT-1XX-XX-XX-XX-XX-XXX-X-XX	
	BY: DEAN P	12/12/2000

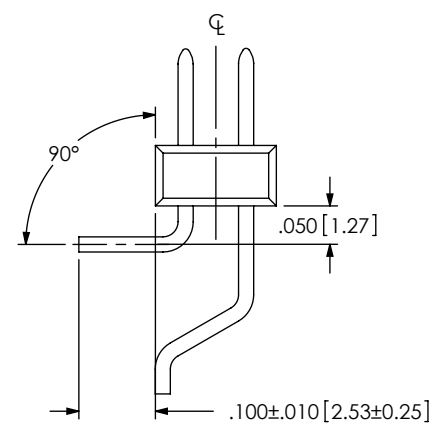


FIG 3
-MT: MIXED TECHNOLOGY
(DIFFERENT AS SHOWN, OTHERWISE SAME AS FIG 1)

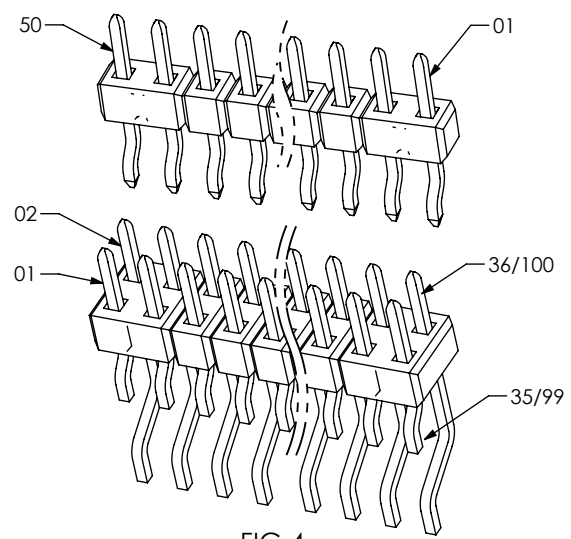


FIG 4
POLARIZATION VIEW

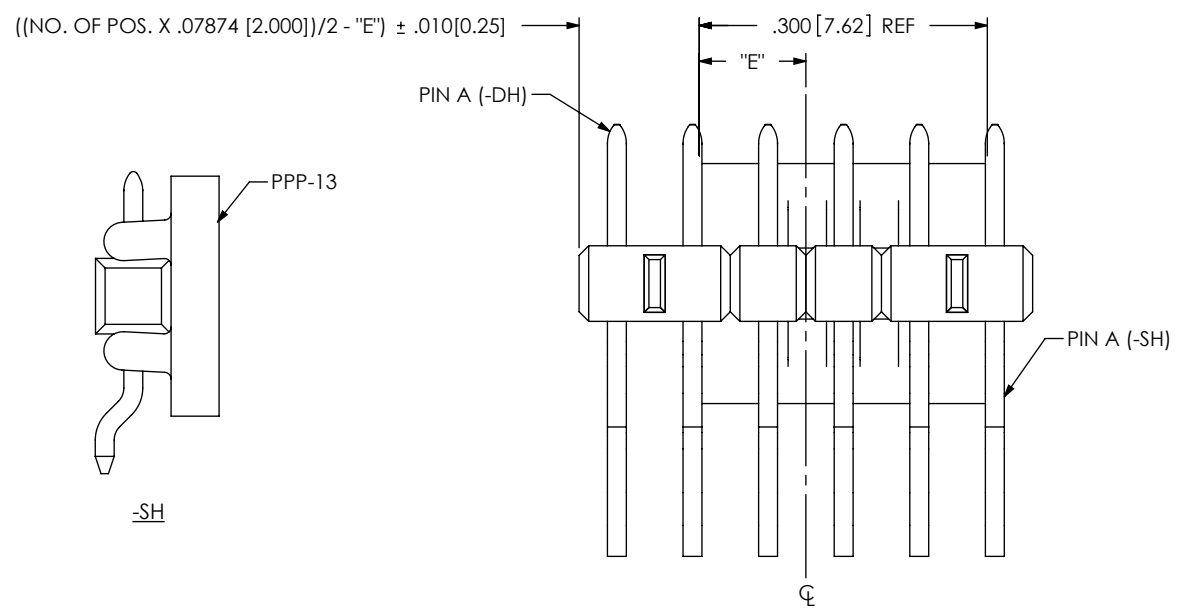


FIG 5
-P: PICK & PLACE PAD OPTION

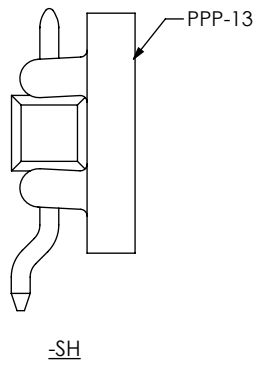
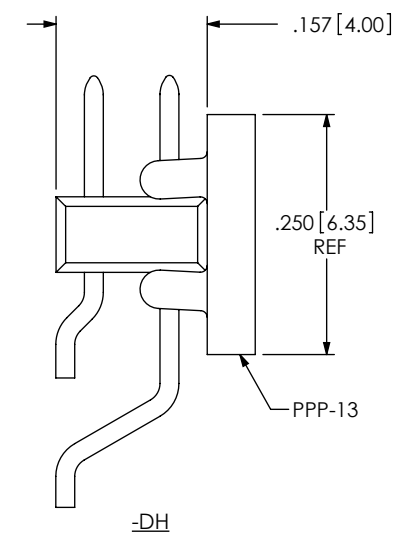


TABLE 1	
POS.	"E"
ODD	.150[.572]
EVEN	.111[2.82]

PROPRIETARY NOTE
THIS DOCUMENT CONTAINS CONFIDENTIAL AND PROPRIETARY INFORMATION AND ALL DESIGN, MANUFACTURING, REPRODUCTION, USE, PATENT RIGHTS AND SALES RIGHTS ARE EXPRESSLY RESERVED BY SAMTEC, INC. THIS DOCUMENT SHALL NOT BE DISCLOSED, IN WHOLE OR PART, TO ANY UNAUTHORIZED PERSON OR ENTITY NOR REPRODUCED, TRANSFERRED OR INCORPORATED IN ANY OTHER PROJECT IN ANY MANNER WITHOUT THE EXPRESS WRITTEN CONSENT OF SAMTEC, INC.

DO NOT SCALE DRAWING
SHEET SCALE: 2:1

samtec
520 PARK EAST BLVD, NEW ALBANY, IN 47150
PHONE: 812-944-6733 FAX: 812-948-5047
e-Mail info@SMATEC.com code 55322

DESCRIPTION:
2mm HORIZONTAL TERMINAL SURFACE MOUNT STRIP ASSEM

DWG. NO.
MMT-1XX-XX-XX-XX-XX-XXX-X-XX

BY: DEAN P 12/12/2000 SHEET 3 OF 6

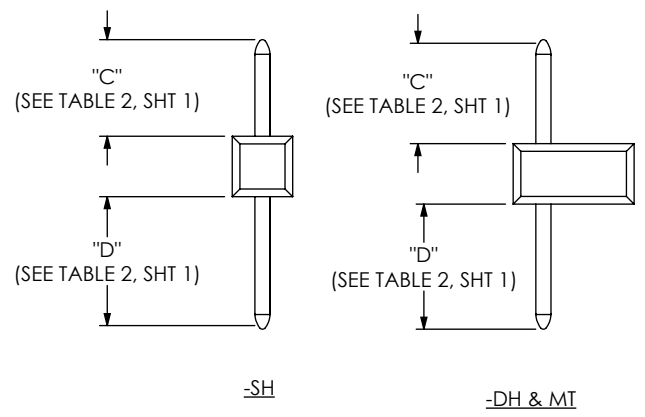


FIG 6
IN-PROCESS 1

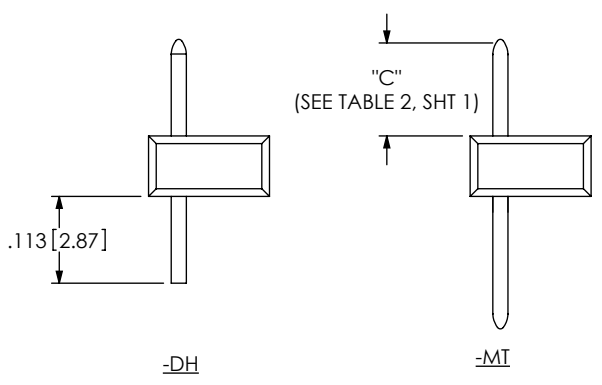


FIG 7
IN-PROCESS 2

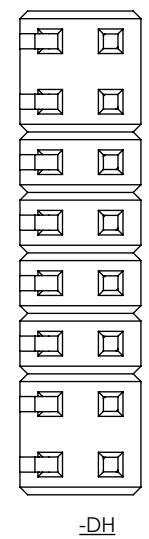
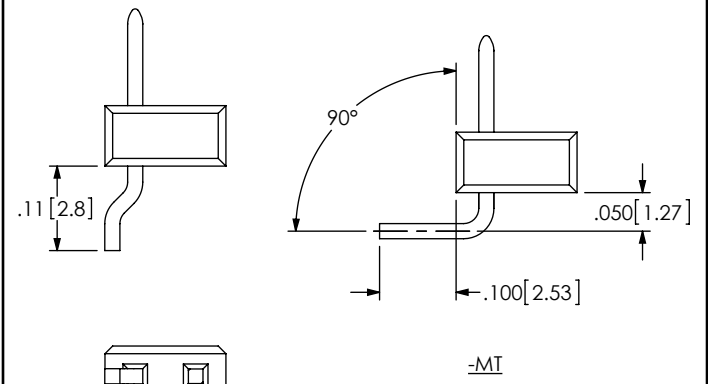


FIG 8
IN-PROCESS 3

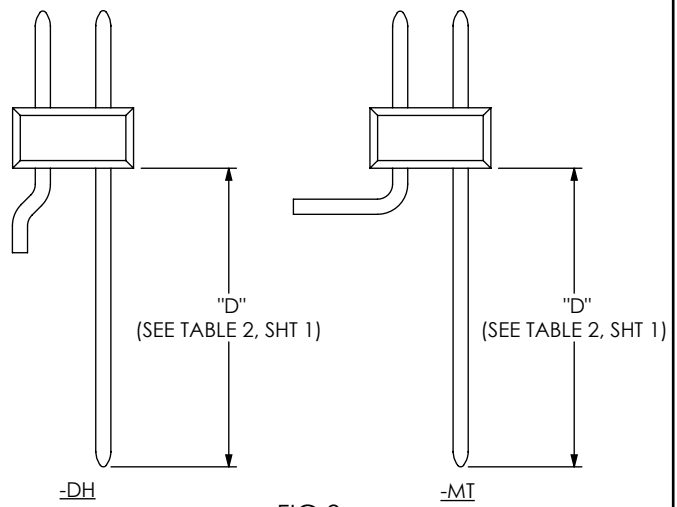


FIG 9
IN-PROCESS 4

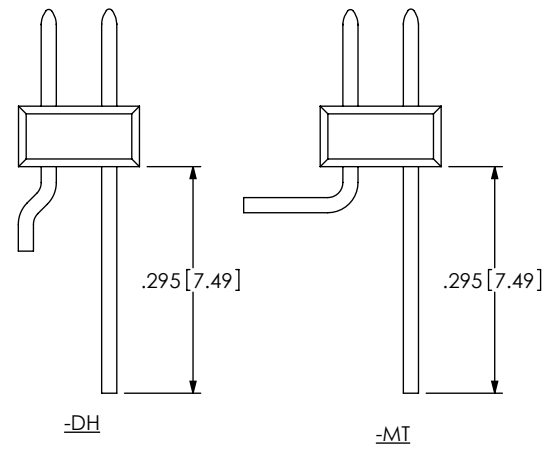


FIG 10
IN-PROCESS 5

PROPRIETARY NOTE
 * THIS DOCUMENT CONTAINS CONFIDENTIAL AND PROPRIETARY INFORMATION AND ALL DESIGN, MANUFACTURING, REPRODUCTION, USE, PATENT RIGHTS AND SALES RIGHTS ARE EXPRESSLY RESERVED BY SAMTEC, INC. THIS DOCUMENT SHALL NOT BE DISCLOSED, IN WHOLE OR PART, TO ANY UNAUTHORIZED PERSON OR ENTITY NOR REPRODUCED, TRANSFERRED OR INCORPORATED IN ANY OTHER PROJECT IN ANY MANNER WITHOUT THE EXPRESS WRITTEN CONSENT OF SAMTEC, INC.

DO NOT SCALE DRAWING
 SHEET SCALE: 2:1



520 PARK EAST BLVD, NEW ALBANY, IN 47150
 PHONE: 812-944-6733 FAX: 812-948-5047
 e-Mail info@SMATEC.com code 55322

DESCRIPTION:
 2mm HORIZONTAL TERMINAL SURFACE MOUNT STRIP ASSEM
 DWG. NO.
MMT-1XX-XX-XX-XX-XX-XXX-X-XX
 BY: DEAN P 12/12/2000 SHEET 4 OF 6

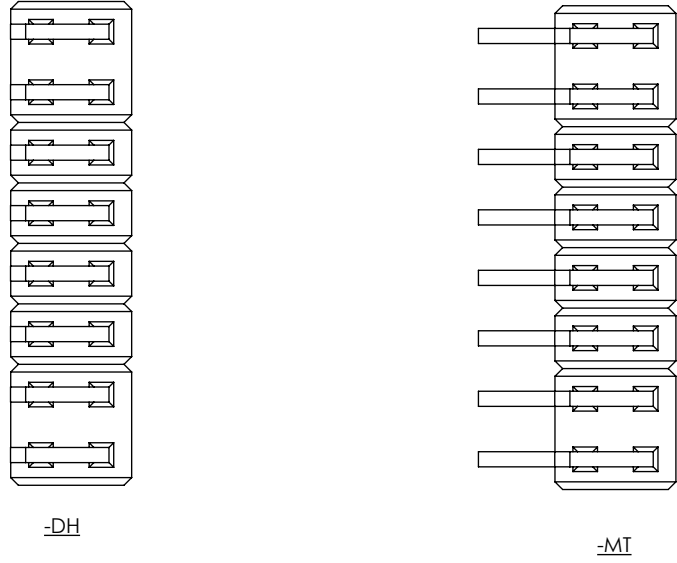
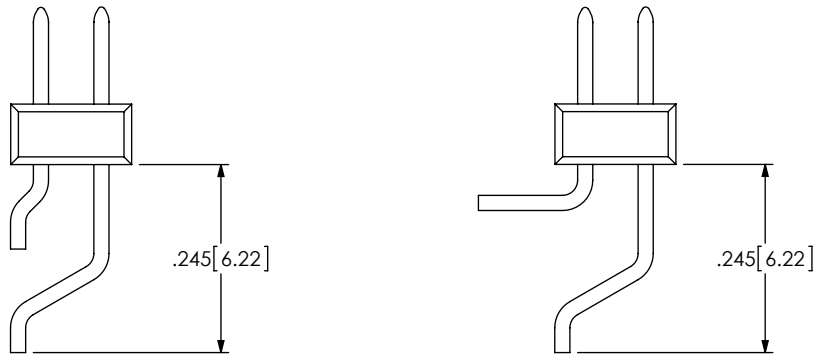
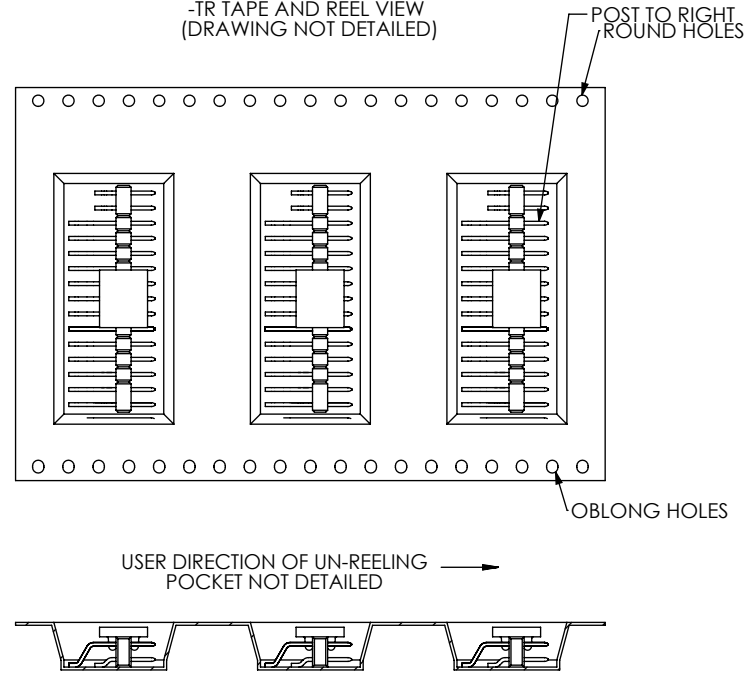


FIG 11
IN-PROCESS 6

FIG 12
-TR TAPE AND REEL VIEW
(DRAWING NOT DETAILED)



NOTE: PARTS MUST BE ORIENTED PER THE DESIGN OF THE POCKET TOOL.
POCKETS DESIGNED AFTER REVISION BW MUST ORIENT PARTS PER THIS VIEW.

F:\DWG\MISC\MKTG\MMT-1XX-XX-XX-XX-XXX-X-XX-MKT.SLDDRW

PROPRIETARY NOTE
* THIS DOCUMENT CONTAINS CONFIDENTIAL AND PROPRIETARY INFORMATION AND ALL DESIGN, MANUFACTURING, REPRODUCTION, USE, PATENT RIGHTS AND SALES RIGHTS ARE EXPRESSLY RESERVED BY SAMTEC, INC. THIS DOCUMENT SHALL NOT BE DISCLOSED, IN WHOLE OR PART, TO ANY UNAUTHORIZED PERSON OR ENTITY NOR REPRODUCED, TRANSFERRED OR INCORPORATED IN ANY OTHER PROJECT IN ANY MANNER WITHOUT THE EXPRESS WRITTEN CONSENT OF SAMTEC, INC. *

samtec
520 PARK EAST BLVD, NEW ALBANY, IN 47150
PHONE: 812-944-6733 FAX: 812-948-5047
e-Mail info@SMATEC.com code 55322

DO NOT SCALE DRAWING

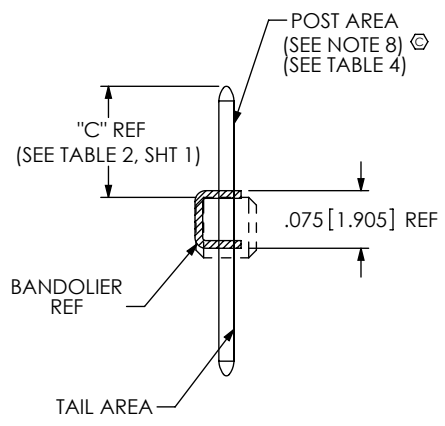
SHEET SCALE: 2:1

DESCRIPTION:
2mm HORIZONTAL TERMINAL SURFACE MOUNT STRIP ASSEM

DWG. NO.
MMT-1XX-XX-XX-XX-XX-XXX-X-XX

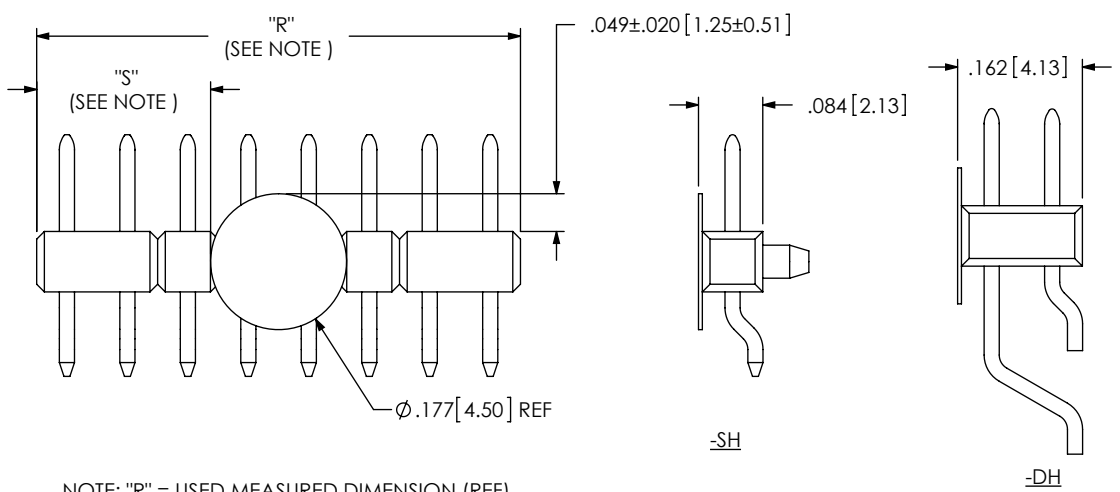
BY: DEAN P 12/12/2000 SHEET 5 OF 6

FIG 13
-T PLATING ONLY



LEAD STYLE	PIN A	PIN B
-01-SH	0	N/A
-01-DH	0	0
-01-MT	0	0
-02-MT	0	0
-02-SH	0	N/A
-02-DH	0	0

FIG 14
-K: POLYIMIDE FILM PAD



NOTE: "R" = USED MEASURED DIMENSION (REF)
"S" = {("R" - .177 [4.50]) / 2} ±.020 [0.51]

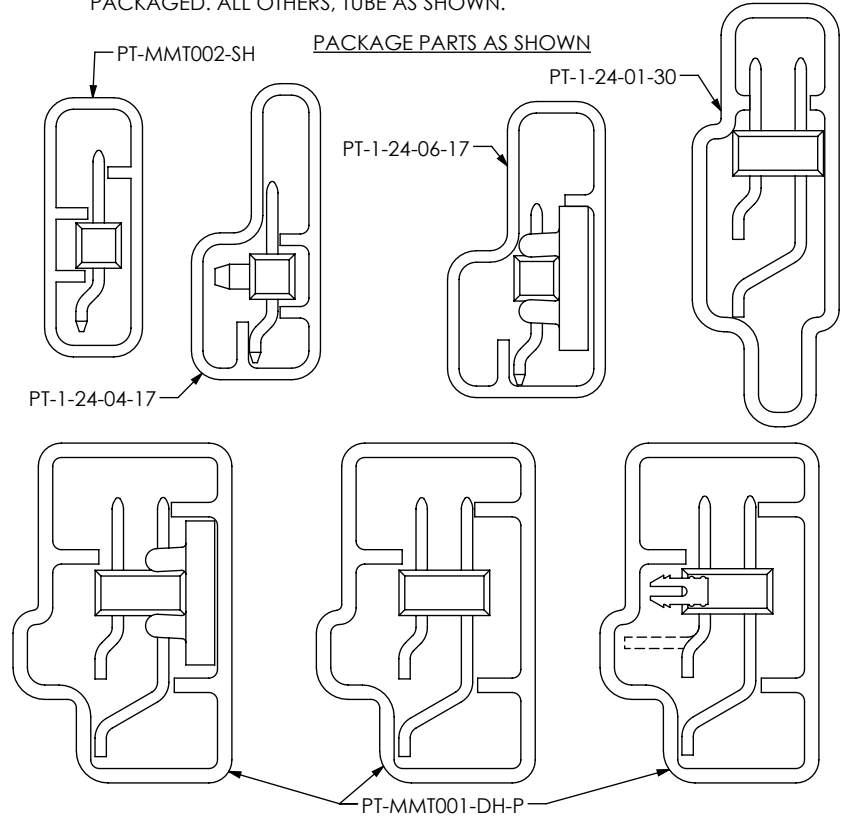
-SH

-DH

TABLE 3

OPTION	PACKAGING TUBE	PLUG (2 EA)
-SH	PT-MMT002-SH	TP-24
-SH-A, -SH-LC	PT-1-24-04-17	TP-12
-SH-A-P, -SH-LC-P, -SH-P	PT-1-24-06-17	TP-24
-01-DH, -01-DH-A, -01-DH-LC, -01-MT	PT-MMT001-DH-P	TP-03
-DH-A, -DH-LC, -02-DH		
-MT-P, -02-DH-K, -01-MT-K -02-MT-K		
-DH-P, -DH-A-P, -DH-LC-P, -02-MT, -DH-A-K		
-01-DH-K, -01-DH-LC-K		
-01-SH-K	PT-MMT002-SH	TP-24
-02-SH-K		
MMT-104-01-X-DH	PT-1-24-01-30	TP-03

NOTES:
LOAD ALL PARTS (EXCEPT THOSE WITH -SH OPTION) POS 1 FIRST IN SAME DIRECTION AS ARROW.
FOR 2 & 3 POSITIONS, TUBE PACKAGING ONLY AVAILABLE WITH -P OPTION. 2 & 3 POSITIONS WITHOUT -P OPTIONS MUST BE LAYER PACKAGED. ALL OTHERS, TUBE AS SHOWN.



PROPRIETARY NOTE
THIS DOCUMENT CONTAINS CONFIDENTIAL AND PROPRIETARY INFORMATION AND ALL DESIGN, MANUFACTURING, REPRODUCTION, USE, PATENT RIGHTS AND SALES RIGHTS ARE EXPRESSLY RESERVED BY SAMTEC, INC. THIS DOCUMENT SHALL NOT BE DISCLOSED, IN WHOLE OR PART, TO ANY UNAUTHORIZED PERSON OR ENTITY NOR REPRODUCED, TRANSFERRED OR INCORPORATED IN ANY OTHER PROJECT IN ANY MANNER WITHOUT THE EXPRESS WRITTEN CONSENT OF SAMTEC, INC.



520 PARK EAST BLVD, NEW ALBANY, IN 47150
PHONE: 812-944-6733 FAX: 812-948-5047
e-Mail info@SMATEC.com code 55322

DO NOT SCALE DRAWING

SHEET SCALE: 2:1

DESCRIPTION:
2mm HORIZONTAL TERMINAL SURFACE MOUNT STRIP ASSEM

DWG. NO.
MMT-1XX-XX-XX-XX-XX-XXX-X-XX

BY: DEAN P 12/12/2000 SHEET 6 OF 6