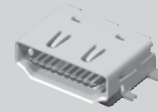
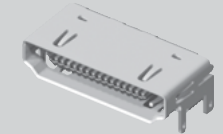


HDMR-19-01-S-SM-PF



HDMR-19-02-S-SM



HDMR-29-01-S-SM

HDMR SERIES

HIGH SPEED I/O RECEPTACLES

SPECIFICATIONS

For complete specifications and recommended PCB layouts see www.samtec.com?HDMR

Insulator Material:

High Temperature Thermoplastic

Contact Material:

Copper Alloy

Shell Material:

Steel

Operating Temp Range:

-25°C to +85°C

Plating:

Gold on Contacts, Nickel on Shell and Tin on Tails

Current Rating:

1.3 A per pin

(6 adjacent pins powered)

Voltage Rating:

40 VAC

Contact Resistance:

30 mΩ

Minimum Cycles:

100

Lead-Free Solderable:

Yes

RoHS Compliant:

Yes

Mates with:
HPDPI

Meets Digital Display Working Group Single Monitor Interface Specifications

Optional Panel Flange (19 position only)

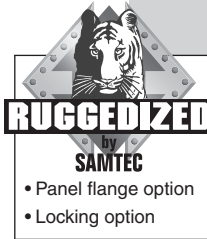
Hot Pluggable

Selectively Plated

19 or 29 Positions

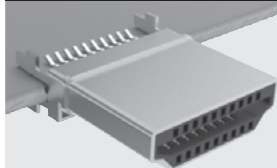
Surface Mount or Through-hole Signal Leads

Through-hole or Surface Mount (19 only) Ground tails



- Panel flange option
- Locking option

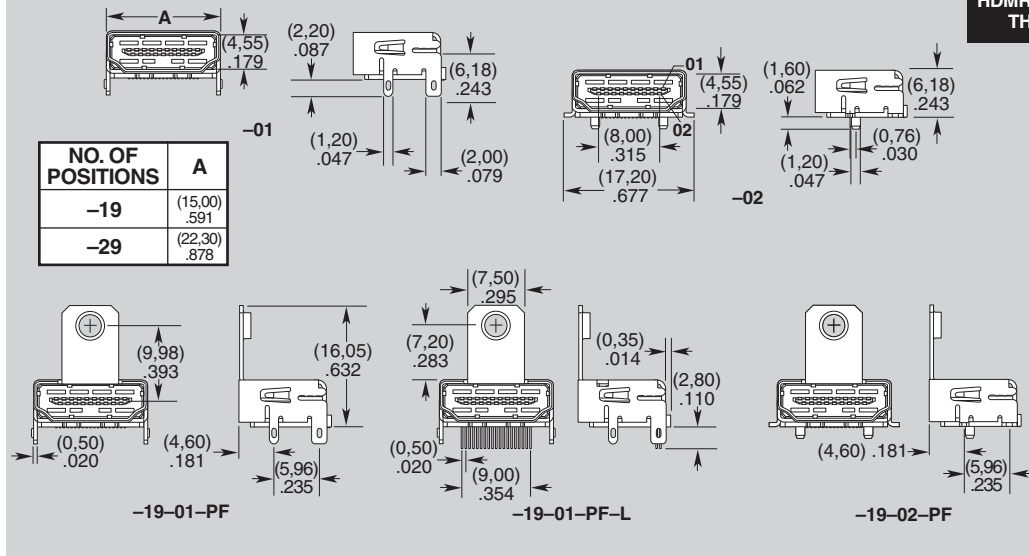
OTHER SOLUTIONS



HDMP is an Edge Mount plug that mates to HDMR receptacles.

Call Samtec for HDMP Series specifications.

| HDMR | NO. OF POSITIONS | LEAD STYLE | PLATING | TAIL OPTION | OPTIONS |
|------|---|---|---|--|--|
| | <p>-19 = 19 Positions / Mates with HPXXX 5 Pairs</p> <p>-29 = 29 Positions / Mates with HPXXX 8 Pairs</p> | <p>-01 = Through-hole Ground Tails</p> <p>-02 = Surface Mount Ground Tails (-19 only)</p> | <p>-S = 30µ" (0,76 µm) Gold on Mating Area, Tin on Tails</p> | <p>-SM = Surface Mount (Signal Leads)</p> <p>-TH = Through-hole (Only available on HDMR-19-01-X-TH-PF-L)</p> | <p>(Leave Blank for no Panel Flange)</p> <p>-PF = Panel Flange</p> <p>-L = Locking Option (Only available on HDMR-19-01-X-TH-PF-L)</p> |



Note: Some lengths, styles and options are non-standard, non-returnable.