

(0,80 mm) .0315"

SEM, SEMS, SEML SERIES

# MICRO TIGER EYE™ SOCKET

## SPECIFICATIONS

For complete specifications and recommended PCB layouts see [www.samtec.com?SEM](http://www.samtec.com?SEM), [www.samtec.com?SEMS](http://www.samtec.com?SEMS) or [www.samtec.com?SEML](http://www.samtec.com?SEML)

**Insulator Material:** Black Liquid Crystal Polymer  
**Contact Material:** BeCu  
**Plating:** Au or Sn over 50µ" (1,27 µm) Ni  
**Operating Temp Range:** -55°C to +125°C  
**Current Rating (SEM/TEM):** 2,6 A per pin (1 pin powered per row)  
**RoHS Compliant:** Yes

**Processing:**  
**Lead-Free Solderable:** Yes  
**SMT Lead Coplanarity:** (0,10 mm) .004" max

SEM, SEML Mates with:  
**TEM**

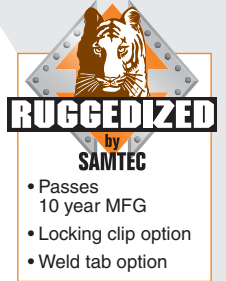
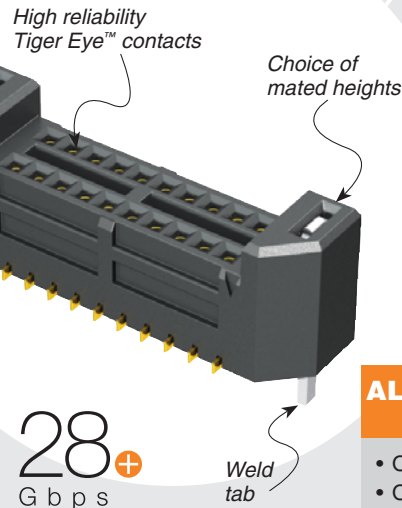
SEMS Mates with:  
**TEMS**



TEM/SEM 6 mm Stack Height	Rated @ 3dB Insertion Loss*
Single-Ended Signaling	12 GHz / 24 Gbps
Differential Pair Signaling	17 GHz / 34 Gbps

\*Test board losses de-embedded from performance data.  
 Complete test data available at [www.samtec.com?SEM](http://www.samtec.com?SEM) or [contact.sig@samtec.com](mailto:contact.sig@samtec.com)

28+ Gbps



- Passes 10 year MFG
- Locking clip option
- Weld tab option

**ALSO AVAILABLE (MOQ Required)**

- Other sizes
  - Other platings
- Contact Samtec.

## RECOGNITIONS

For complete scope of recognitions see [www.samtec.com/quality](http://www.samtec.com/quality)



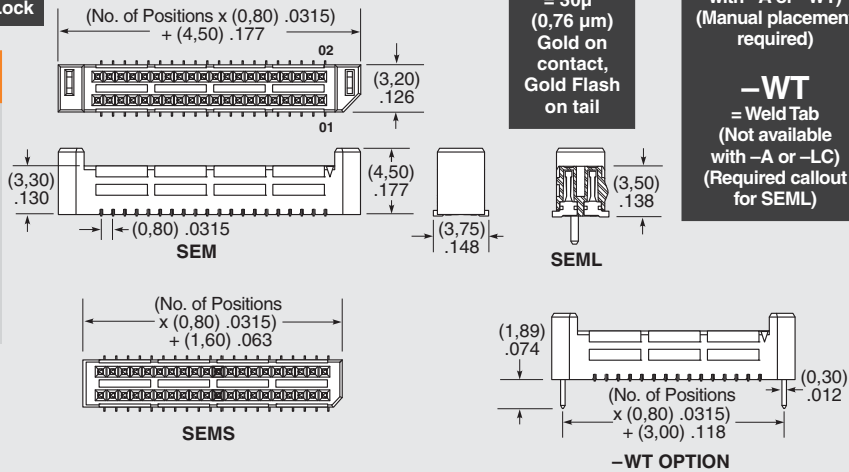
## OTHER SOLUTIONS

- Board Stacking: See SFM, TFM Series
  - Cable Assemblies: See SFSD, TFSD Series
- Contact Samtec.

## MATED HEIGHT

TEM LEAD STYLE	MATED HEIGHT*
-03.0	6 mm
-04.0	7 mm
-07.0	10 mm

\*Processing conditions will affect mated height.



**Note:** Some sizes, styles and options are non-standard, non-returnable.