



520 Park East Blvd., New Albany, IN 47150 U.S.A
(812)-944-6733 / 1-800-SAMTEC9

Product Change Notification

1. ECN #: 265392

2. Date of Announcement: January 20, 2016

3. Series:

- ERM8 - .8MM EDGE RATE TERMINAL ASSEMBLY

4. Part #'s Affected

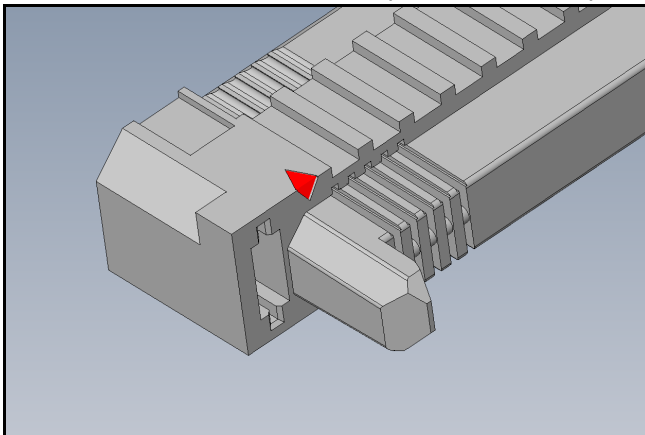
- ERM8-XXX-XX.X-DV-XXXX

5. Description of Change:

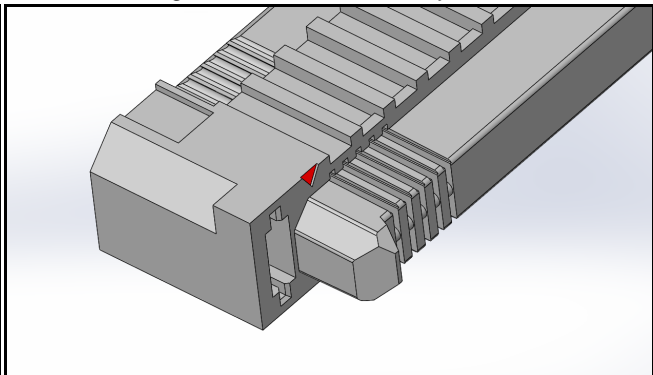
The pin one indicator is being removed from the side of the molded body. The pin one indicator will remain present when looking at the body from the top view.

6. Method of Identifying Change

The new bodies will not have the pin one indicator present when looking at the side of the body.



Existing Pin One Indicator



New Pin One Indicator

7. Reason for Change:

The molded component is being revised to prevent flash in the area of the pin one indicator.

8. Impact of Change on Form, Fit, or Function:

- Form - This modification will only be visual and not affect any other aspect of the part.

9. Projected Implementation Date: February 20, 2016