



520 Park East Blvd., New Albany, IN 47150 U.S.A  
(812)-944-6733 / 1-800-SAMTEC9

## Product Change Notification

1. ECN #: 237662

2. Date of Announcement: September 30, 2014

### 3. Series:

- ISD2 - 2mm DISCRETE WIRE INSULATOR
- S2SD - S2SD 2.00mm SOCKET DISCRETE CABLE ASSEMBLY
- S2SDT - 2.00mm SOCKET DISCRETE CABLE ASSEMBLY

### 4. Part #'s Affected

- ISD2-XX-D-M
- S2SD-XX-XXX-X-XX.XX-SR-XXX
- S2SDT-XX-XXX-X-XX.XX-SR-XXX
- S2SD-XX-XXX-X-XX.XX-DR-XXX
- S2SDT-XX-XXX-X-XX.XX-DR-XXX

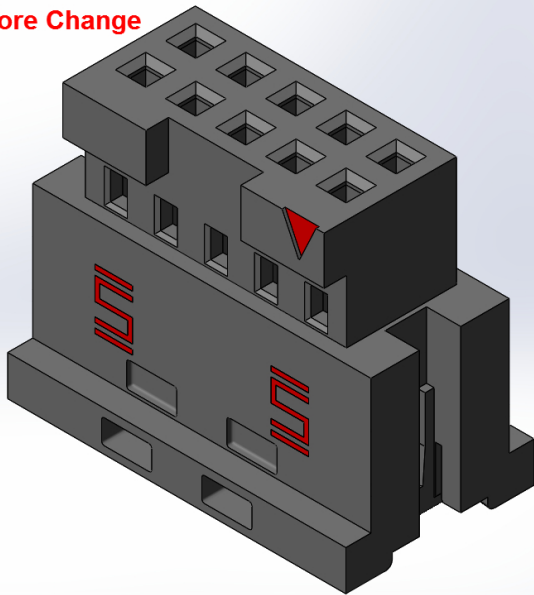
### 5. Description of Change:

Adding void cores to the ends of the product; This will be a rolling change.

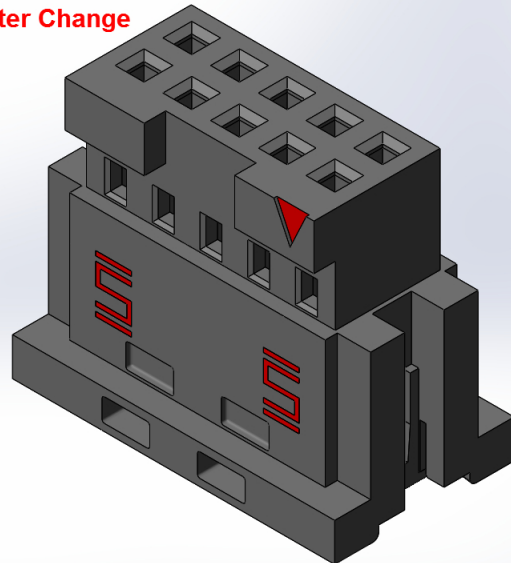
### 6. Method of Identifying Change

There will be a recess with the following dims on the sides of the part X = 0.055", Y = 0.020", Z = 0.210"

Before Change



After Change



### 7. Reason for Change:

Improvement request from molder to make the part easier to mold.

### 8. Impact of Change on Form, Fit, or Function:

- Form - Additional void cores will be visible. There is no impact to the latch function or retention.

9. Projected Implementation Date: January 04, 2015