

Rubycon LARGE CAN TYPE ALUMINUM ELECTROLYTIC CAPACITORS **HXC**

HXC SERIES

Previous Series



105°C High Ripple, Snap-in Terminal Type

◆FEATURES

- Load Life : 105°C 2000 hours.
- Higher ripple current endurance than MXC series.
- RoHS compliance.

◆SPECIFICATIONS

Items	Characteristics								
Category Temperature Range	-25~+105°C								
Rated Voltage Range	200, 400, 450V.DC								
Capacitance Tolerance	±20%(20°C,120Hz)								
Leakage Current(MAX)	$I=3\sqrt{CV}$ (After 5 minutes application of rated voltage) I =Leakage Current(μ A) C =Rated Capacitance(μ F) V =Rated Voltage(V)								
(tan δ) Dissipation Factor(MAX)	<table border="1"> <tr> <td>Rated Voltage (V)</td> <td>200~400</td> <td>450</td> <td>(20°C,120Hz)</td> </tr> <tr> <td>tanδ</td> <td>0.15</td> <td>0.20</td> <td></td> </tr> </table>	Rated Voltage (V)	200~400	450	(20°C,120Hz)	tan δ	0.15	0.20	
Rated Voltage (V)	200~400	450	(20°C,120Hz)						
tan δ	0.15	0.20							
Impedance Ratio(MAX)	<table border="1"> <tr> <td>Rated Voltage (V)</td> <td>200</td> <td>400~450</td> <td>(120Hz)</td> </tr> <tr> <td>Z(-25°C)/Z(20°C)</td> <td>3</td> <td>8</td> <td></td> </tr> </table>	Rated Voltage (V)	200	400~450	(120Hz)	Z(-25°C)/Z(20°C)	3	8	
Rated Voltage (V)	200	400~450	(120Hz)						
Z(-25°C)/Z(20°C)	3	8							
Endurance	<p>After applying rated voltage with rated ripple current for 2000hrs at 105°C, the capacitors shall meet the following requirements.</p> <table border="1"> <tr> <td>Capacitance Change</td> <td>Within ±20% of the initial value.</td> </tr> <tr> <td>Dissipation Factor</td> <td>Not more than 200% of the specified value.</td> </tr> <tr> <td>Leakage Current</td> <td>Not more than the specified value.</td> </tr> </table>	Capacitance Change	Within ±20% of the initial value.	Dissipation Factor	Not more than 200% of the specified value.	Leakage Current	Not more than the specified value.		
Capacitance Change	Within ±20% of the initial value.								
Dissipation Factor	Not more than 200% of the specified value.								
Leakage Current	Not more than the specified value.								

◆MULTIPLIER FOR RIPPLE CURRENT

Frequency coefficient

Frequency (Hz)	60(50)	120	500	1k	10k \leq
Coefficient					
200WV	0.80	1.00	1.20	1.30	1.50
400~450WV	0.80	1.00	1.20	1.25	1.40

◆PART NUMBER

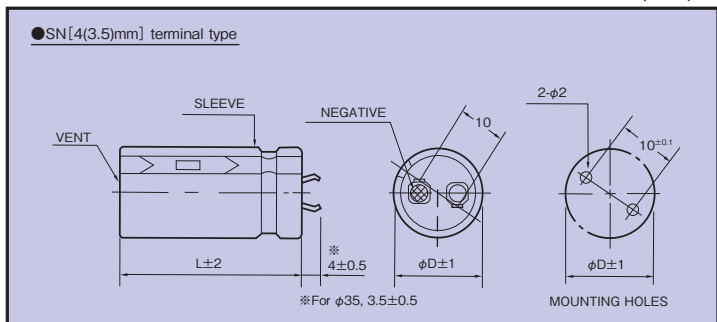
 HXC SN DXL
 Rated Voltage Series Rated Capacitance Capacitance Tolerance Option Terminal Code Case Size

◆Option

	Code
PET Sleeve without plate	EFC
PVC Sleeve without plate	OOE
PVC Sleeve with plate	Blank

◆DIMENSIONS

(mm)



◆ **STANDARD SIZE**

Cap (μ F)	WV ϕ D	200							
		ϕ 22		ϕ 25		ϕ 30		ϕ 35	
270		22×25	1.64						
330		22×30	1.89						
390		22×35	2.14	25×25	1.99				
470		22×40	2.41	25×30	2.32	30×25	2.27		
560		22×45	2.71	25×35	2.63	30×25	2.43		
680		22×50	3.06	25×35	2.81	30×30	2.82		
820				25×45	3.32	30×30	2.94	35×25	2.56
1000				25×50	3.72	30×35	3.36	35×30	3.07
1200						30×40	3.78	35×35	3.57
1500						30×50	4.48	35×40	4.01
1800								35×45	4.44
2200								35×50	4.90

Cap (μ F)	WV ϕ D	400							
		ϕ 22		ϕ 25		ϕ 30		ϕ 35	
82		22×30	0.81						
100		22×35	0.99	25×25	0.99				
120		22×40	1.19	25×30	1.19				
150		22×45	1.43	25×35	1.43	30×25	1.41		
180		22×50	1.60	25×40	1.61	30×30	1.61		
220				25×45	1.83	30×35	1.84		
270				25×50	2.06	30×40	2.10	35×30	2.00
330						30×45	2.36	35×35	2.29
390						30×50	2.62	35×40	2.56
470								35×45	2.86
560								35×50	3.15

Cap (μ F)	WV ϕ D	450							
		ϕ 22		ϕ 25		ϕ 30		ϕ 35	
68		22×30	0.67						
82		22×35	0.81	25×25	0.81				
100		22×40	0.99	25×30	0.99				
120		22×45	1.19	25×35	1.19	30×25	1.19		
150				25×40	1.49	30×30	1.49	35×25	1.49
180				25×45	1.68	30×35	1.70	35×25	1.61
220				25×50	1.89	30×40	1.92	35×30	1.85
270						30×45	2.18	35×35	2.12
330						30×50	2.45	35×40	2.41
390								35×45	2.67
470								35×50	2.97

↑ ↑
Ripple Current (A r.m.s./120Hz, 105°C)
Case Size ϕ D×L(mm)