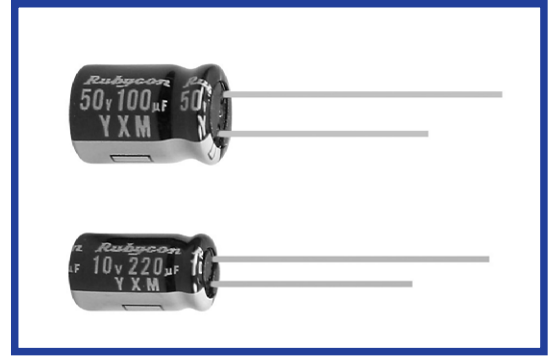


YXM SERIES

Load Life : 105°C 10000 hours, Miniaturized.

◆FEATURES

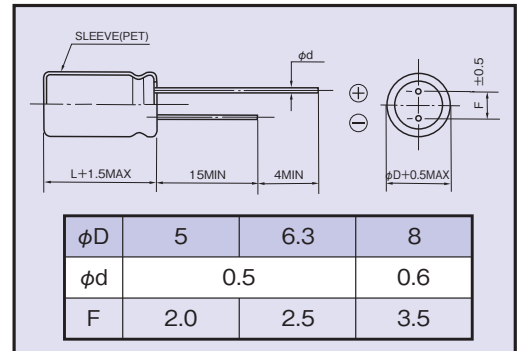
- Miniaturized Long Life.
- RoHS compliance.



◆SPECIFICATIONS

Items	Characteristics																
Category Temperature Range	-25~+105°C																
Rated Voltage Range	10~100V.DC																
Capacitance Tolerance	±20% (20°C, 120Hz)																
Leakage Current(MAX)	I=0.01CV or 3µA whichever is greater.(After 2 minutes) I=Leakage Current(µA) C=Capacitance(µF) V=Rated Voltage(V)																
(tanδ) Dissipation Factor(MAX)	<table border="1"> <thead> <tr> <th>Rated Voltage (V)</th> <th>10</th> <th>16</th> <th>25</th> <th>35</th> <th>50</th> <th>63</th> <th>100</th> </tr> </thead> <tbody> <tr> <td>(20°C, 120Hz)</td> <td>0.45</td> <td>0.35</td> <td>0.30</td> <td>0.22</td> <td>0.19</td> <td>0.17</td> <td>0.15</td> </tr> </tbody> </table>	Rated Voltage (V)	10	16	25	35	50	63	100	(20°C, 120Hz)	0.45	0.35	0.30	0.22	0.19	0.17	0.15
Rated Voltage (V)	10	16	25	35	50	63	100										
(20°C, 120Hz)	0.45	0.35	0.30	0.22	0.19	0.17	0.15										
Endurance	After applying rated voltage with rated ripple current for 10000 hours at 105°C, the capacitors shall meet the following requirements. <table border="1"> <tbody> <tr> <td>Capacitance Change</td> <td>Within ±25% of the initial value.</td> </tr> <tr> <td>Dissipation Factor</td> <td>Not more than 300% of the specified value.</td> </tr> <tr> <td>Leakage Current</td> <td>Not more than the specified value.</td> </tr> </tbody> </table>	Capacitance Change	Within ±25% of the initial value.	Dissipation Factor	Not more than 300% of the specified value.	Leakage Current	Not more than the specified value.										
Capacitance Change	Within ±25% of the initial value.																
Dissipation Factor	Not more than 300% of the specified value.																
Leakage Current	Not more than the specified value.																
Low Temperature Stability Impedance Ratio(MAX)	<table border="1"> <thead> <tr> <th>Rated Voltage (V)</th> <th>10</th> <th>16</th> <th>25</th> <th>35</th> <th>50</th> <th>63</th> <th>100</th> </tr> </thead> <tbody> <tr> <td>Z(-25°C)/Z(20°C)</td> <td>8</td> <td>6</td> <td>4</td> <td>4</td> <td>3</td> <td>3</td> <td>3</td> </tr> </tbody> </table>	Rated Voltage (V)	10	16	25	35	50	63	100	Z(-25°C)/Z(20°C)	8	6	4	4	3	3	3
Rated Voltage (V)	10	16	25	35	50	63	100										
Z(-25°C)/Z(20°C)	8	6	4	4	3	3	3										

◆DIMENSIONS (mm)



◆MULTIPLIER FOR RIPPLE CURRENT Frequency Coefficient

Frequency (Hz)	120	1k	10k	100k≤
1~10µF	0.42	0.60	0.80	1.00
22~33µF	0.55	0.75	0.90	1.00
47~330µF	0.70	0.85	0.95	1.00

◆STANDARD SIZE

Size φD×L(mm), Ripple Current (mA r.m.s./105°C, 100kHz)

WV (V.DC)	Cap (µF)	Size	Rated Ripple Current
10 (1A)	100	5×11	130
	220	6.3×11	210
	330	8×11.5	330
16 (1C)	47	5×11	130
	100	6.3×11	210
	220	8×11.5	330
25 (1E)	33	5×11	130
	47	5×11	130
	100	6.3×11	210

WV (V.DC)	Cap (µF)	Size	Rated Ripple Current
35 (1V)	33	5×11	130
	47	6.3×11	210
	100	8×11.5	330
50 (1H)	1	5×11	25
	2.2	5×11	35
	3.3	5×11	70
	4.7	5×11	80
	10	5×11	90
	22	5×11	135
	33	6.3×11	190
	47	6.3×11	190
	100	8×11.5	270

WV (V.DC)	Cap (µF)	Size	Rated Ripple Current
63 (1J)	10	5×11	80
	22	6.3×11	170
	33	6.3×11	170
	47	8×11.5	240
100 (2A)	1	5×11	40
	2.2	5×11	50
	3.3	5×11	60
	4.7	5×11	70
	10	6.3×11	150
	22	8×11.5	230

◆OPTION

	Code
PET Sleeve	EFC

◆PART NUMBER

 YXM Series

 M Capacitance Tolerance

 Option

 Lead Forming

 D×L Case Size