

Three Phase Brushless Motor Driver

BD63015EFV

General Description

BD63015EFV is a three phase sinusoidal brushless motor driver. The rating of the power supply is 36V and that of current rating is 1.5A (peak current, 2A). PWM driving signals are generated by the three hall sensors. Input DC voltage signal can control the rotation speed, also, you can control by the power voltage. As the various control circuit and the protection circuit are built-in, this IC can fit the various applications. It can be used for the small diameter motor module because of the small package.

Features

- Sinusoidal Drive
- Low ON Resistors DMOS Output (Pch / Nch)
- PWM Output
- FG Output (3FG)
- Built-in Current Limit Circuit (CL)
- Built-in Thermal Shut Down Circuit (TSD)
- Built-in Over Current Protection Circuit (OCP)
- Built-in Under Voltage Lock Out Circuit (UVLO)
- Built-in Over Voltage Lock Out Circuit (OVLO)
- Built-in Motor Lock Protection Circuit, Automatic Restart type (MLP)
- Built-in HALL error Protection Circuit (HALLERR)

Applications

- Various types of Air Conditioning Fan Motor (FAN, Exhaust FAN, Air Cleaner FAN etc.)
- Various types of Cooler Fan Motor

Typical Application Circuit

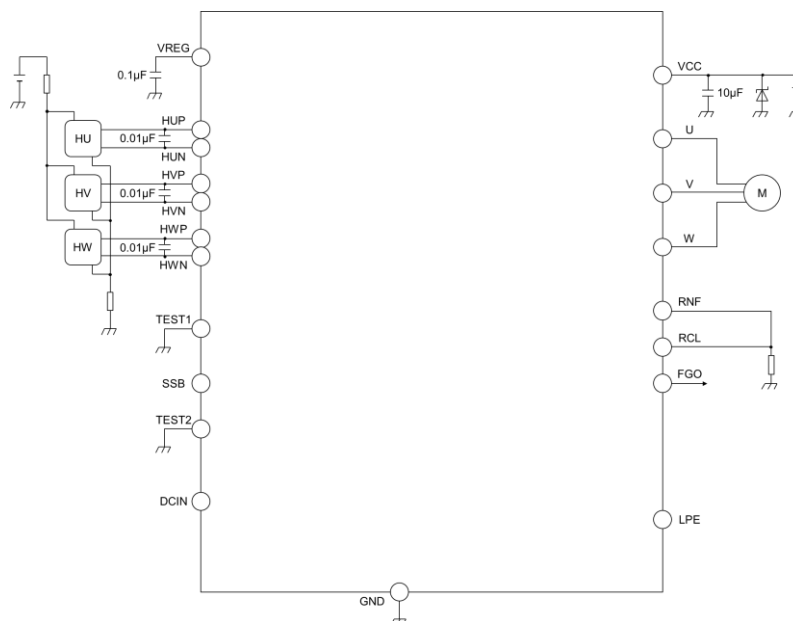


Figure 1. Application Circuit

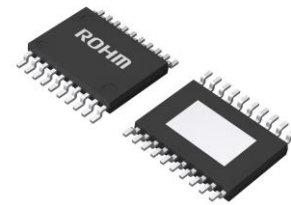
Key Specifications

- Power Supply Voltage Rating: 36V
 - Output Continuous Current Rating: 1.5A
 - Output Peak Current Rating: 2A (Note 1)
 - Operating Temperature Range: -40°C to +105°C
 - Current Limit Detect Voltage: 0.2V±10%
 - Output ON Resistors (Total): 0.6Ω(Typ)
 - UVLO Voltage: 6V(Typ)
- (Note 1) Pulse width $t_{ws} \leq 1\text{ms}$, duty=20% pulse)

Package

HTSSOP-B20

W(Typ) x D(Typ) x H(Max)
6.50mm x 6.40mm x 1.00mm



Contents

General Description	1
Features.....	1
Applications	1
Key Specifications.....	1
Package.....	1
Typical Application Circuit.....	1
Pin Configuration	3
Block Diagram	3
Pin Description.....	3
Absolute Maximum Ratings	4
Thermal Resistance.....	5
Recommended Operating Conditions	5
Description of Blocks	6
(1) Regulator Output Pin (VREG).....	6
(2) Controlling Rotation Speed Input Pin (DCIN).....	6
(3) Soft Start / Soft Stop Setting Pin (SSB).....	7
(4) HALL Input (HALL: HUP, HUN, HVP, HVN, HWP, HWN)	7
(5) FG Output Pin (FGO).....	8
(6) Power Supply Pin (VCC)	8
(7) Ground Pin (GND)	8
(8) Driver Output Pin (U, V, W).....	8
(9) Resistor Connected Pin for Detecting Output Current (RNF)	8
(10) Comparator Input Pin for Detecting Output Current (RCL)	8
(11) TEST Pin (TEST1, TEST2).....	8
(12) Sequence of control signal	9
Protection Circuits.....	10
(1) Current Limit Circuit (CL circuit).....	10
(2) Thermal Shut Down Circuit (TSD Circuit)	10
(3) Over Current Protection Circuit (OCP Circuit).....	10
(4) Under Voltage Lock Out Circuit (UVLO Circuit)	10
(5) Over Voltage Lock Out Circuit (OVLO circuit).....	10
(6) Motor Lock Protection Circuit (MLP Circuit)	10
Electrical Characteristics.....	11
Timing Chart	12
State Transition Diagram.....	13
I/O Equivalence circuits	14
Operational Notes	15
Ordering Information.....	17
Marking Diagrams.....	17
Physical Dimension and Packing Information	18

Pin Configuration

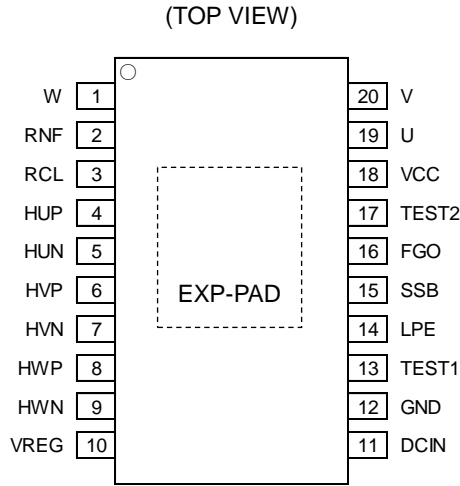


Figure 2. Pin Configuration

Block Diagram

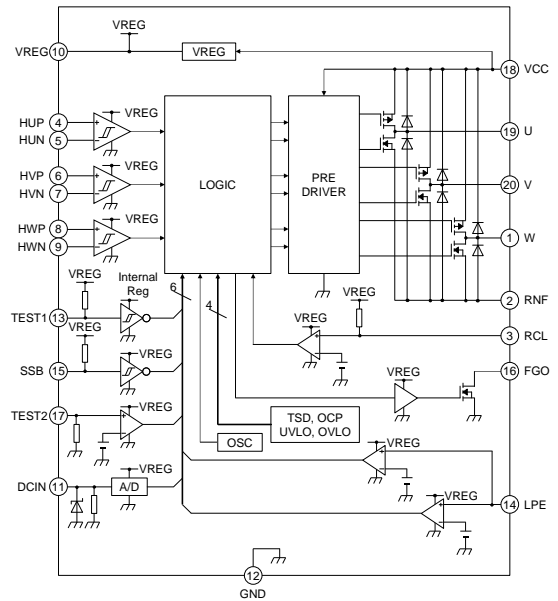


Figure 3. Block Diagram

Pin Description

Pin No	Pin Name	Function	Pin No	Pin Name	Function
1	W	W phase output	11	DCIN	Controlling rotation speed input
2	RNF	Resistor for detecting output current connecting Input	12	GND	Ground
3	RCL	Comparator of detecting output current input	13	TEST1	Test input (for shipment)
4	HUP	U phase hall input +	14	LPE	Motor lock protection setting input
5	HUN	U phase hall input -	15	SSB	Soft start / Soft stop setting input
6	HVP	V phase hall input +	16	FGO	FG output (3FG)
7	HVN	V phase hall input -	17	TEST2	Test input (for shipment)
8	HWP	W phase hall input +	18	VCC	Power supply / Motor power supply
9	HWN	W phase hall input -	19	U	U phase output
10	VREG	Regulator output	20	V	V phase output
-	EXP-PAD	The EXP-PAD of the center of product connect to GND.	-	-	-

Absolute Maximum Ratings (Ta = 25°C)

Item	Symbol	Limit	Unit
Power Supply Voltage	V _{CC}	-0.3 to +36.0	V
Control Input Voltage (LPE, SSB)	V _{LPE} , V _{SSB}	-0.3 to +5.5	V
Controlling Rotation Speed Input Voltage	V _{DCIN}	-0.3 to +12.0	V
Hall Input Voltage	V _{HUP} , V _{HUN} , V _{HVP} , V _{HVN} , V _{HWP} , V _{HWN}	-0.3 to +5.5	V
TEST1 Input Voltage	V _{TEST1}	-0.3 to +5.5	V
TEST2 Input Voltage	V _{TEST2}	-0.3 to +36.0	V
Driver Output Voltage	V _U , V _V , V _W	-0.3 to +36.0	V
FGO Voltage	V _{FGO}	-0.3 to +7.0	V
RNF Voltage	V _{RNF}	0.7	V
VREG Output Current	I _{VREG}	-30	mA
FGO Output Current	I _{FGO}	5	mA
Driver Output Current (Continuous)	I _{OUT(DC)}	1.5	A/phase
Driver Output Current (Peak) ^(Note 1)	I _{OUT(PEAK)}	2.0	A/phase
Storage Temperature Range	T _{stg}	-55 to +150	°C
Maximum Junction Temperature	T _{jmax}	150	°C

(Note 1) Pulse width $t_w \leq 1$ ms, duty=20% pulse

Caution 1: Operating the IC over the absolute maximum ratings may damage the IC. The damage can either be a short circuit between pins or an open circuit between pins and the internal circuitry. Therefore, it is important to consider circuit protection measures, such as adding a fuse, in case the IC is operated over the absolute maximum ratings.

Caution 2: Should by any chance the maximum junction temperature rating be exceeded the rise in temperature of the chip may result in deterioration of the properties of the chip. In case of exceeding this absolute maximum rating, design a PCB boards with thermal resistance taken into consideration by increasing board size and copper area so as not to exceed the maximum junction temperature rating.

Thermal Resistance (Note 1)

Parameter	Symbol	Thermal Resistance (Typ)		Unit
		1s ^(Note 3)	2s2p ^(Note 4)	
HTSSOP-B20				
Junction to Ambient	θ_{JA}	143.0	26.8	°C/W
Junction to Top Characterization Parameter ^(Note 2)	Ψ_{JT}	8	4	°C/W

(Note 1)Based on JESD51-2A(Still-Air)

(Note 2)The thermal characterization parameter to report the difference between junction temperature and the temperature at the top center of the outside surface of the component package.

(Note 3)Using a PCB board based on JESD51-3.

(Note 4)Using a PCB board based on JESD51-5, 7.

Layer Number of Measurement Board	Material	Board Size
Single	FR-4	114.3mm x 76.2mm x 1.57mmt

Top	
Copper Pattern	Thickness
Footprints and Traces	70 μ m

Layer Number of Measurement Board	Material	Board Size	Thermal Via ^(Note 5)	
			Pitch	Diameter
4 Layers	FR-4	114.3mm x 76.2mm x 1.6mmt	1.20mm	Φ 0.30mm

Top		2 Internal Layers		Bottom	
Copper Pattern	Thickness	Copper Pattern	Thickness	Copper Pattern	Thickness
Footprints and Traces	70 μ m	74.2mm x 74.2mm	35 μ m	74.2mm x 74.2mm	70 μ m

(Note 5) This thermal via connects with the copper pattern of all layers.

Recommended Operating Conditions

Item	Symbol	Min	Typ	Max	Unit
Supply Voltage	V _{CC}	8	12	28	V
Operating Temperature	Topr	-40	25	+105	°C

Description of Blocks

(1) Regulator Output Pin (VREG)

This is the Pin regulated 5V (Typ). Set the capacitors of 0.1μF to 1μF. If using VREG for the bias power supply for HALL elements, don't exceed the ratings of VREG current.

(2) Controlling Rotation Speed Input Pin (DCIN)

Rotation Speed can be controlled by inputting DC signal into DCIN and changing the PWM duty of driver output. If VCC is used for controlling the rotation speed, set DCIN = VREG. When DCIN ≤ 1V (Typ), all of the driver outputs are controlled to "L". DCIN Pin is pulled down to GND by the resistor of 200kΩ ± 60kΩ.

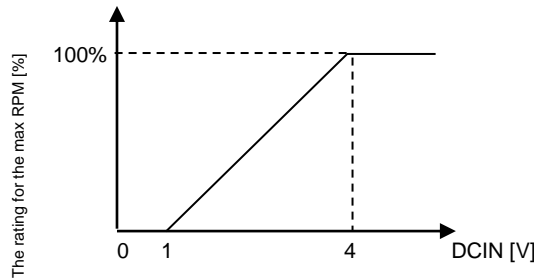


Figure 4. DCIN voltage vs rotation speed

The voltage of DCIN is input into the LOGIC circuit through the A/D inside IC. It sets the duty and makes signals of driver outputs demanding DCIN voltage. A/D samples DCIN voltage repeatedly and updates the set point. The set point is updated when it changes over ±1LSB from the previous point and when the next set point is in ±1LSB of itself three times. (The time is 1ms(Typ)). Only the setting point of initial value is updated by the first sampling. The A/D has 8 bit digital value and the power supply is VREG. 1LSB is about 19.5mV (5V/256,8bit). If VREG fluctuates, the rotation speed fluctuates, too. So stabilize VREG. It is better that DCIN is inputted the voltage divider of VREG.

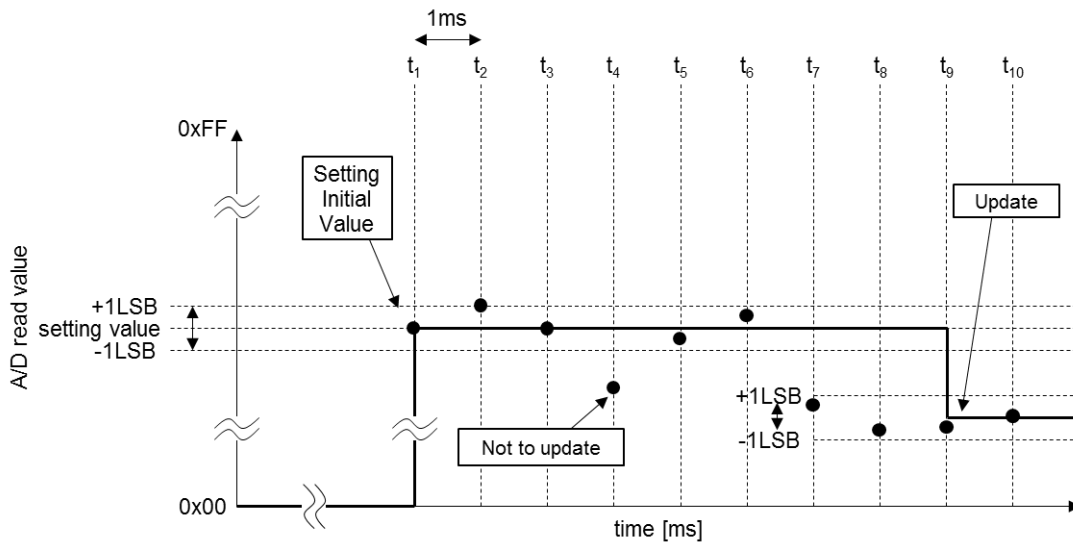


Figure 5. A/D sampling operation

Description of Blocks - continued

(3) Soft Start / Soft Stop Setting Pin (SSB)

The circuit of Soft Start and Soft Stop (SS mode) is built in to save the start/stop current. Soft Start and Soft Stop mode is set by inputting V_{SSBL} (Note 1). When SSB is V_{SSBH} (Note 1), only CL circuit save the start and stop current. Don't change SSB pin voltage during operating because of the incorrect operation. SSB pin is pulled up to VREG by the resistors of $100k\Omega \pm 30k\Omega$. With regard to the bias current, [see the table of Electrical Characteristics shown P11](#).
 (Note 1) [See the table of Electrical Characteristics shown P11](#).

Table1. SSB Pin Function

SSB	Operation
H or OPEN	Disable SS mode
L	Enable SS mode

An example of SS mode operation is shown in the following. This operation is enable at starting, stopping, and changing the rotation speed. (The times shown in Figure 6 are typical value)

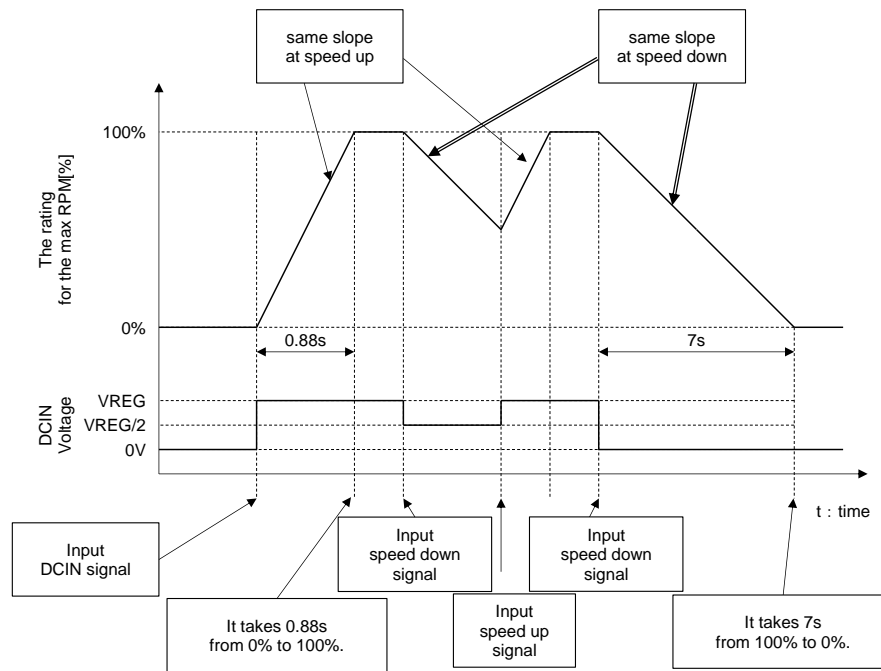


Figure 6. Soft start / Soft stop operation

(4) HALL Input Pin (HALL: HUP, HUN, HVP, HVN, HWP, HWN)

HUP, HUN, HVP, HVN, HWP, HWN is the input pin of HALL comparator in IC. The hysteresis voltage ($\pm 15mV$ (Typ) (Note 2)) is set in HALL comparator to prevent the incorrect operation by the noise. Set the bias current of HALL elements the minimum input voltage ($V_{HALLMIN}$ (Note 2)) or more. Also set the ceramic capacitors about 1000pF to 0.01uF between the inputs of HALL comparator. As HALL comparator has the range of In-phase Input Voltage (V_{HALLCM} (Note 2)), set the bias current of HALL elements in V_{HALLCM} . All of the driver outputs are Hi-Z by the error detection circuit of HALL inputs signals when all of the outputs of HALL comparator (HU, HV, and HW) are "H" or "L". In addition, if one of the outputs of HALL comparator keeps "H" or "L" on a certain time, all of the driver outputs are Hi-Z for 5s(Typ), "a certain time" shows the period which positive/negative edge of the other outputs are counted 32 times. This circuit is automatic restarted if the HALL signals return to the normal state after 5s and HU, HV and HW are judged correctly. (This detection repeats every 5s.)

Pay attention to the position of HALL elements for fear that the efficiency and the silence characteristic become worse.

(Note 2) [See the table of Electrical Characteristics shown P11](#)

Description of Blocks - continued

- (5) FG Output Pin (FGO)
3FG signal which is synthesized from the HALL signals is output from FGO. Set FGO pulled up by the resistors about 10kΩ to 100kΩ because FGO is the pin of open-drain. Pay attention not to exceed the voltage rating and current rating of FGO because of the destruction of IC.
- (6) Power Supply Pin (VCC)
Make VCC line low impedance (thick and short) because the Motor current flows. V_{CC} might be changed considerably by MOTOR BEMF and PWM switching, so place the bypass capacitors as near as possible between VCC and GND pin. When the Motor generates large current or big BEMF, add the value of capacitors. Also, set the ceramic capacitors about 0.01μF to 1μF to decrease the impedance of power supply broadband. Pay attention not to exceed the rating for a moment. Also, the device against ESD exists on VCC pin, so if the surge voltage which is the rating or more, this ESD device operates and so IC may destroy. Don't exceed the rating. It is so useful to add the Zener diode whose breakdown voltage is slightly lower than the rating. In addition, if the voltage input in reverse, IC may destroy because of the ESD device between VCC and GND.
- (7) Ground Pin (GND)
Make GND line as thick and short as possible to decrease the switching noise and stabilize the reference voltage inside IC and set GND the lowest voltage for a moment. Also, design that GND of IC should not have the common impedance.
- (8) Driver Output Pin (U, V, W)
Pay attention about the following points in using driver output.
● Wiring of U, V, and W should be thick and short (low impedance) because the motor current flows.
● IC might destroy because the diodes against ESD operates when the surge pulse signal or the voltage which is the rating or more input into the pins. Don't exceed the rating.
When the driver outputs change considerably toward positive and negative (for ex. BEMF voltage is so big), IC operates abnormally or destroys. In the above case, add the Schottky diode to the driver output pin.
- (9) Resistor for Detecting Output Current Connecting Input Pin (RNF)
Insert resistor for detecting current 0.15Ω to 0.7Ω between RNF and GND. Pay attention that the power consumption of resistor for detecting output current (multiply I_{OUT}^2 by R[W]) doesn't be exceeded the rating of the resistor. Because the Motor current flows, make the low impedance between RNF pin and GND. Also it should not have the common impedance. If RNF voltage exceeds the rating, IC might malfunction or be destroyed, so don't exceed the rating. When RNF pin is shorted to GND, large current flows due to a lack of normal current limit operation. Pay attention that OCP or TSD might operate in that case. Similarly, if RNF Pin is OPEN, output current might not flow, and it causes malfunction.
- (10) Comparator of Detecting Output Current Input Pin (RCL)
RCL pin (the pin that the input of the current detect comparator) exists independently in order to avoid the deterioration of current detect accuracy by wire impedance inside IC of RNF pin. Therefore, when operating current limit, be sure to connect RNF pin and RCL pin. Moreover, it is possible to reduce the deterioration of current detect accuracy that is caused by the impedance of board pattern between RNF pin and resistor for detecting current, to connect wiring from RCL pin most adjacent to resistor for detecting current. Design the PCB pattern considering wiring that is less influenced by noise. Additionally, when RCL pin is shorted to GND, IC can't operate normally and so the large current might flow. Pay attention that OCP or TSD might operate in that case.
- (11) TEST Pin (TEST1, TEST2)
TEST pin is for the shipping inspection. Short to GND at normally use.

Description of Blocks - continued

(12) Sequence of control signal

It is recommended to input the signal into LPE after V_{CC} . If LPE is input before V_{CC} , IC operates correctly. However in the case of LPE is "H" or "M", pay attention that Motor can't be started if the Motor rotation can't be detected in the setting time. IC has the priority between the control signals and the protection signals. See the following table.

Table2. Priority of control signals

Priority	Input / Internal Signals
1 st	UVLO
2 nd	OCP, TSD
3 rd	OVLO
4 th	MLP, HALLERR
5 th	CL

Protection Circuits

(1) Current Limit Circuit (CL circuit)

To change from the output current to the voltage by the resistor between RNF and GND and to input that voltage into RCL work as Current Limit (CL circuit). CL has the mask time to avoid the false detection because of the spike noise when the output turns ON. Current limit doesn't work in the mask time that RCL become 0.2V (Typ) or more. In the case of SSB is "H", all of the driver outputs turn "L" and it returns by itself after a certain time (1 μ s(Typ)). In the case of SSB is "L", the Motor torque is saved, after RCL voltage is 0.2V (Typ) or less, it turns to the normal operation. In both of case the mask time of CL operation is 0.6 μ s (Typ).

(2) Thermal Shut Down Circuit (TSD Circuit)

TSD (Thermal Shut Down: TSD) operates when the chip temperature is 175°C (Typ) or more and all of the driver outputs turn to Hi-Z. TSD circuit has the hysteresis (25°C (Typ)) so if the chip temperature is down, it operates normally. The purpose of the TSD circuit is to protect driver IC from thermal breakdown. The temperature is over the rating when TSD operates. Thus, it must have sufficient margin against TSD, and don't use continuously by TSD as a precondition.

(3) Over Current Protection Circuit (OCP Circuit)

OCP (Over Current Protection: OCP) circuit prevent from the destruction of shorted between the output pins and VCC/GND shorted. The outputs are latched to Hi-Z when the output current exceeds the current rating and reaches the OCP current. OCP can be reset by UVLO. It must have sufficient margin against OCP and pay attention not to use continuously by OCP as a precondition because the output current exceeds the current rating when OCP operates. Also when the outputs shorted to GND or shorted between the outputs, OCP operation might be reset by UVLO operation of VCC or VREG. So consider fully.

(4) Under Voltage Lock Out Circuit (UVLO Circuit)

UVLO (Under Voltage Lock Out: UVLO) circuit prevent the false operation from under voltage which driver IC can operate. When V_{CC} declines to V_{UVL} (6V (Typ)), all of the outputs turn to Hi-Z. UVLO circuit has hysteresis (1V (Typ)), so when V_{CC} reaches V_{UVH} (7V (Typ)) or more, it operates normally. Also when VREG is 4V (Typ) or less, UVLO operates.

(5) Over Voltage Lock Out Circuit (OVLO circuit)

Over voltage lock out circuit (Over Voltage Lock Out: OVLO) is built in for the purpose to save the lifted voltage at the rotation speed down. All of the driver outputs turn "L" if LPE is "H" or "L" and V_{CC} is V_{OVH2} (31V (Typ)) or more, if LPE is "M" and V_{CC} is V_{OVH1} (16V (Typ)) or more. OVLO circuit has the hysteresis. In the case of V_{OVH2}, it operates normally V_{OVL2} (30.5V (Typ)) or less. In the case of V_{OVH1}, it operates normally V_{OVL1} (15V (Typ)) or less.

(6) Motor Lock Protection Circuit (MLP Circuit)

Motor lock protection circuit (Motor Lock Protection: MLP) is built in. Enable/Disable of MLP and OVLO threshold can be set by LPE pin. All of the driver outputs are Hi-Z when the outputs of HALL comparator keep "H" or "L" during 1.1s (Typ) at LPE is "H" or "M". It restarts after 5s (Typ). When LPE is "L", MLP circuit does not work. LPE pin is pulled up by VREG through a resistance of 100k Ω ±30k Ω .

Table3. LPE Pin Function

LPE	Monitoring Time	OVLO Threshold
H or OPEN	1.1s±30%	V _{OVH2} , V _{OVL2}
M	1.1s±30%	V _{OVH1} , V _{OVL1}
L	Disable	V _{OVH2} , V _{OVL2}

Electrical Characteristics (Unless otherwise specified Ta=25°C, V_{CC} =12V)

Item	Symbol	Limit			Unit	Conditions
		Min	Typ	Max		
[Whole]						
Circuit Current	I _{CC}	-	8	16	mA	
VREG Voltage	V _{REG}	4.75	5.0	5.25	V	I _{VREG} =-10mA
[Driver Output]						
Output On Resistance	R _{ON}	-	0.6	1.1	Ω	I _{OUT} =±1.5A (sum of High/Low side)
Carrier Frequency	F _{PWM}	20	22.7	25	kHz	
[HALL Input]						
Input Bias Current	I _{HALL}	-2.0	-0.1	+2.0	μA	V _{HALL} =0V
Range of In-phase Input Voltage	V _{HALLCM}	0	-	V _{REG} -1.8	V	
Minimum Input Voltage	V _{HALLMIN}	65	-	-	mV _{p-p}	
HYS Level +	V _{HALLHY+}	3	15	30	mV	
HYS Level -	V _{HALLHY-}	-30	-15	-3	mV	
[Control Input: DCIN]						
Input Bias Current	I _{DCIN}	12.5	25	40	μA	V _{DCIN} =V _{REG}
Min Duty Input Voltage	V _{MIN}	0.75	1	1.25	V	
Max Duty Input Voltage	V _{MAX}	3.75	4	4.25	V	
[Control Input: SSB]						
Input Current	I _{SSB}	-80	-50	-30	μA	V _{SSB} =0V
Voltage Input H	V _{SSBH}	2.0	-	V _{REG}	V	
Voltage Input L	V _{SSBL}	0	-	0.8	V	
[Control Input: LPE]						
Input Current	I _{LPE}	-80	-50	-30	μA	V _{LPE} =0V
Input Voltage "H"	V _{LPEH}	0.8xV _{REG}	-	V _{REG}	V	
Input Voltage "M"	V _{LPEM}	0.4xV _{REG}	-	0.6xV _{REG}	V	
Input Voltage "L"	V _{LPEL}	0	-	0.2xV _{REG}	V	
[FG Output: FGO]						
Output Voltage L	V _{FGOL}	0	0.1	0.25	V	I _{FGO} =2mA
[Current Limit]						
Detect Voltage	V _{CL}	0.18	0.20	0.22	V	
[UVLO]						
Release Voltage	V _{UVH}	6.3	7.0	7.7	V	
Lock Out Voltage	V _{UVL}	5.4	6.0	6.6	V	
[OVLO]						
Release Voltage1	V _{OVL1}	13.5	15.0	16.5	V	LPE="M"
Lockout Voltage1	V _{OVH1}	14.5	16.0	17.5	V	LPE="M"
Release Voltage2	V _{OVL2}	28.5	30.5	33.5	V	LPE="H" or "L"
Lockout Voltage2	V _{OVH2}	29.0	31.0	34.0	V	LPE="H" or "L"

Timing Chart

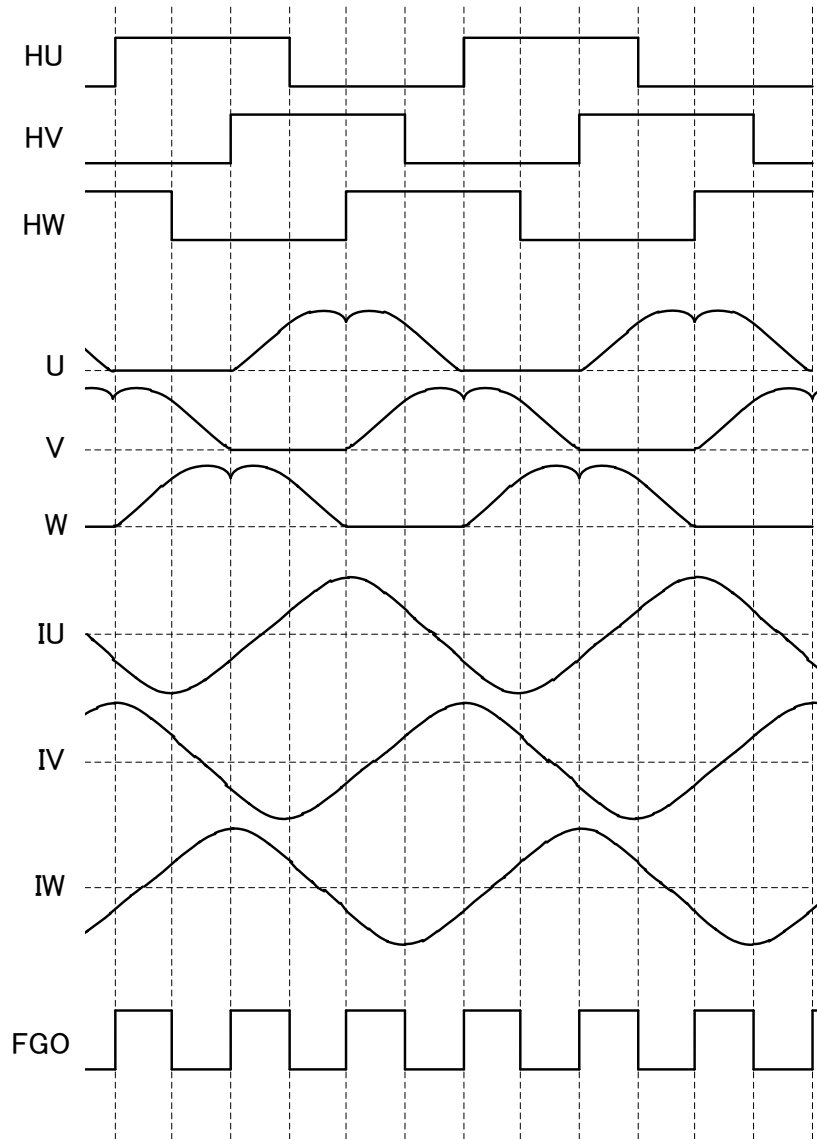


Figure 7. Timing Chart

State Transition Diagram

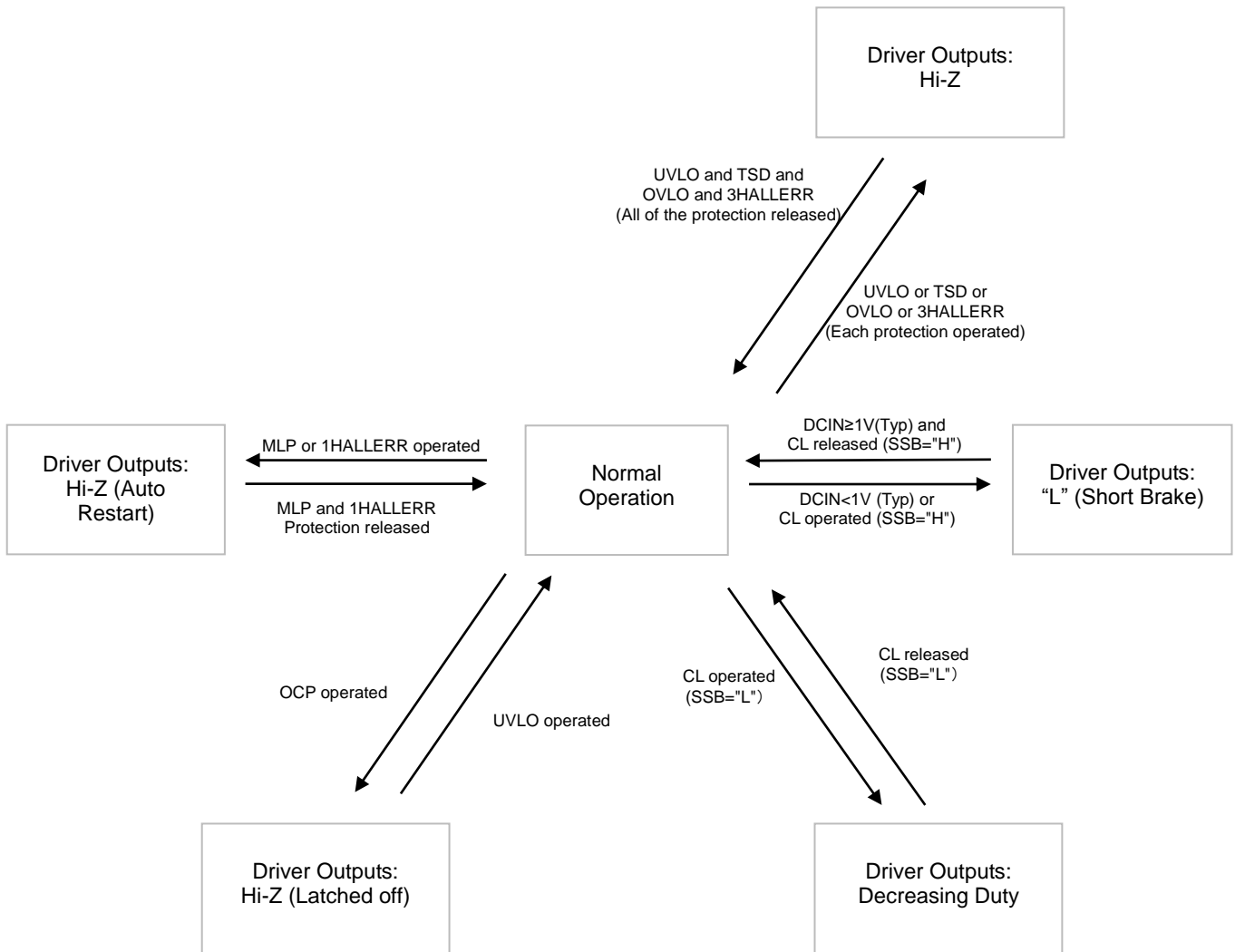


Figure 8. State Transition Diagram

I/O Equivalence circuits

Pin No	Pin Name	I/O Equivalence circuit	Pin No	Pin Name	I/O Equivalence circuit
1 19 20 2	W U V RNF		3	RCL	
4 5 6 7 8 9	HUP HUN HVP HVN HWP HWN		10 18	VREG VCC	
11	DCIN		13	TEST1	
14	LPE		15	SSB	
16	FGO		17	TEST2	

(Note 1)The above value of resistor is shown typical.

Operational Notes

1. Reverse Connection of Power Supply

Connecting the power supply in reverse polarity can damage the IC. Take precautions against reverse polarity when connecting the power supply, such as mounting an external diode between the power supply and the IC's power supply pins.

2. Power Supply Lines

Design the PCB layout pattern to provide low impedance supply lines. Furthermore, connect a capacitor to ground at all power supply pins. Consider the effect of temperature and aging on the capacitance value when using electrolytic capacitors.

3. Ground Voltage

Except for pins the output and the input of which were designed to go below ground, ensure that no pins are at a voltage below that of the ground pin at any time, even during transient condition.

4. Ground Wiring Pattern

When using both small-signal and large-current ground traces, the two ground traces should be routed separately but connected to a single ground at the reference point of the application board to avoid fluctuations in the small-signal ground caused by large currents. Also ensure that the ground traces of external components do not cause variations on the ground voltage. The ground lines must be as short and thick as possible to reduce line impedance.

5. Recommended Operating Conditions

The function and operation of the IC are guaranteed within the range specified by the recommended operating conditions. The characteristic values are guaranteed only under the conditions of each item specified by the electrical characteristics.

6. Inrush Current

When power is first supplied to the IC, it is possible that the internal logic may be unstable and inrush current may flow instantaneously due to the internal powering sequence and delays, especially if the IC has more than one power supply. Therefore, give special consideration to power coupling capacitance, power wiring, width of ground wiring, and routing of connections.

7. Operation Under Strong Electromagnetic Field

Operating the IC in the presence of a strong electromagnetic field may cause the IC to malfunction.

8. Testing on Application Boards

When testing the IC on an application board, connecting a capacitor directly to a low-impedance output pin may subject the IC to stress. Always discharge capacitors completely after each process or step. The IC's power supply should always be turned off completely before connecting or removing it from the test setup during the inspection process. To prevent damage from static discharge, ground the IC during assembly and use similar precautions during transport and storage.

9. Inter-pin Short and Mounting Errors

Ensure that the direction and position are correct when mounting the IC on the PCB. Incorrect mounting may result in damaging the IC. Avoid nearby pins being shorted to each other especially to ground, power supply and output pin. Inter-pin shorts could be due to many reasons such as metal particles, water droplets (in very humid environment) and unintentional solder bridge deposited in between pins during assembly to name a few.

Operational Notes – continued

10. Unused Input Pins

Input pins of an IC are often connected to the gate of a MOS transistor. The gate has extremely high impedance and extremely low capacitance. If left unconnected, the electric field from the outside can easily charge it. The small charge acquired in this way is enough to produce a significant effect on the conduction through the transistor and cause unexpected operation of the IC. So unless otherwise specified, unused input pins should be connected to the power supply or ground line.

11. Regarding the Input Pin of the IC

This monolithic IC contains P+ isolation and P substrate layers between adjacent elements in order to keep them isolated. P-N junctions are formed at the intersection of the P layers with the N layers of other elements, creating a parasitic diode or transistor. For example (refer to figure below):

When $GND > Pin A$ and $GND > Pin B$, the P-N junction operates as a parasitic diode.

When $GND > Pin B$, the P-N junction operates as a parasitic transistor.

Parasitic diodes inevitably occur in the structure of the IC. The operation of parasitic diodes can result in mutual interference among circuits, operational faults, or physical damage. Therefore, conditions that cause these diodes to operate, such as applying a voltage lower than the GND voltage to an input pin (and thus to the P substrate) should be avoided.

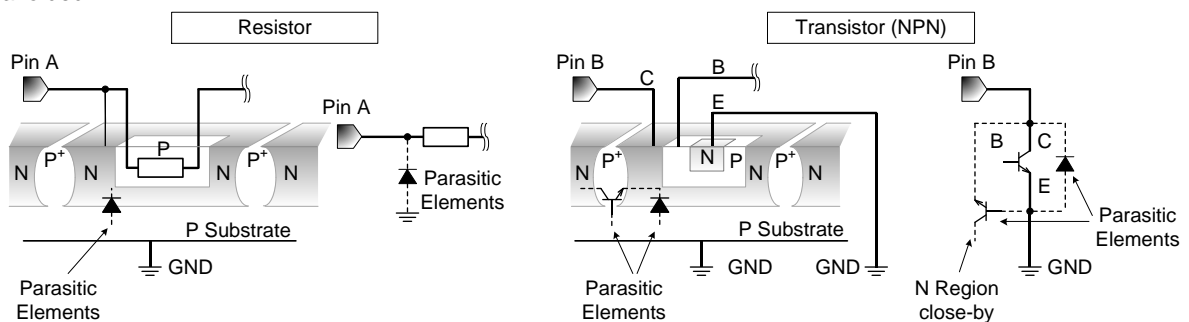


Figure 9. Example of monolithic IC structure

12. Ceramic Capacitor

When using a ceramic capacitor, determine a capacitance value considering the change of capacitance with temperature and the decrease in nominal capacitance due to DC bias and others.

13. Area of Safe Operation (ASO)

Operate the IC such that the output voltage, output current, and the maximum junction temperature rating are all within the Area of Safe Operation (ASO).

14. Thermal Shutdown Circuit (TSD)

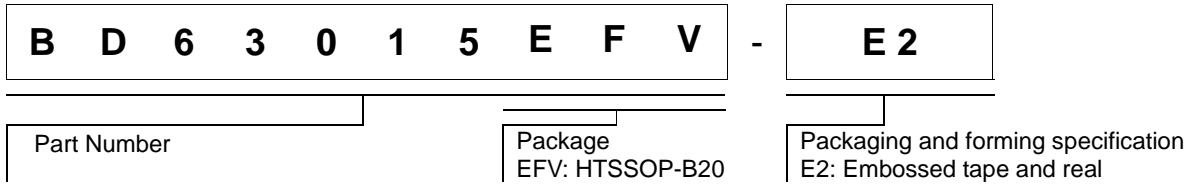
This IC has a built-in thermal shutdown circuit that prevents heat damage to the IC. Normal operation should always be within the IC's maximum junction temperature rating. If however the rating is exceeded for a continued period, the junction temperature (T_j) will rise which will activate the TSD circuit that will turn OFF power output pins. When the T_j falls below the TSD threshold, the circuits are automatically restored to normal operation.

Note that the TSD circuit operates in a situation that exceeds the absolute maximum ratings and therefore, under no circumstances, should the TSD circuit be used in a set design or for any purpose other than protecting the IC from heat damage.

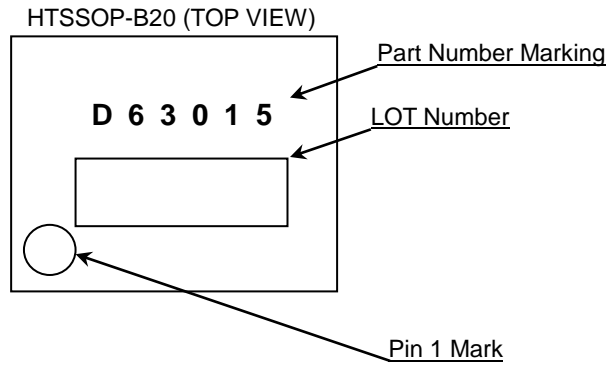
15. Over Current Protection Circuit (OCP)

This IC incorporates an integrated overcurrent protection circuit that is activated when the load is shorted. This protection circuit is effective in preventing damage due to sudden and unexpected incidents. However, the IC should not be used in applications characterized by continuous operation or transitioning of the protection circuit.

Ordering Information

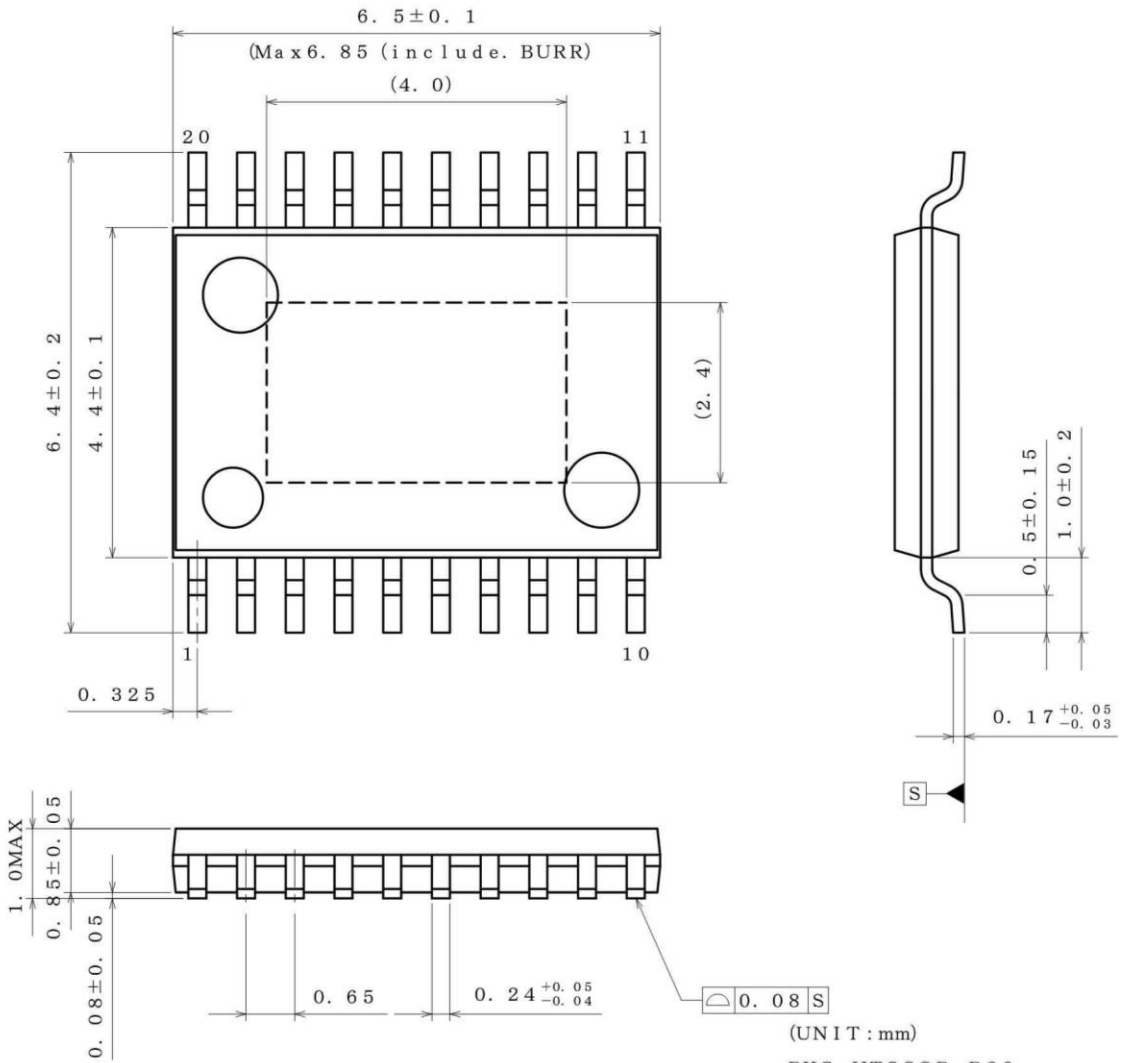


Marking Diagrams



Physical Dimension and Packing Information

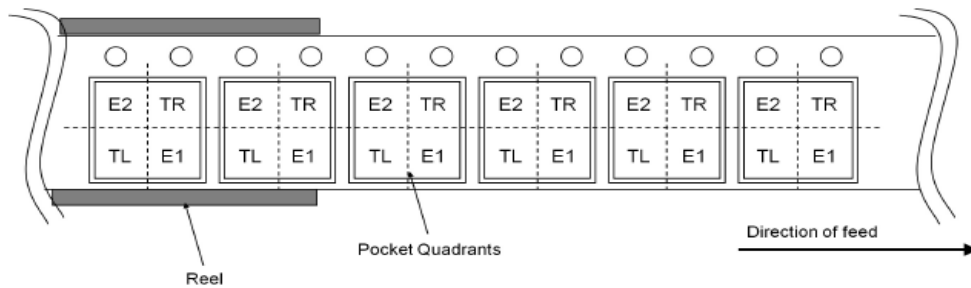
Package Name	HTSSOP-B20
--------------	------------



(UNIT : mm)
 PKG : HTSSOP-B20
 Drawing No. EX192-5002

<Tape and Reel information>

Tape	Embossed carrier tape (with dry pack)
Quantity	2500pcs
Direction of feed	E2 (The direction is the 1pin of product is at the upper left when you hold reel on the left hand and you pull out the tape on the right hand)



Revision History

Date	Rev.	Changes
13.Feb.2018	001	New Release

Notice

Precaution on using ROHM Products

- Our Products are designed and manufactured for application in ordinary electronic equipment (such as AV equipment, OA equipment, telecommunication equipment, home electronic appliances, amusement equipment, etc.). If you intend to use our Products in devices requiring extremely high reliability (such as medical equipment ^(Note 1), transport equipment, traffic equipment, aircraft/spacecraft, nuclear power controllers, fuel controllers, car equipment including car accessories, safety devices, etc.) and whose malfunction or failure may cause loss of human life, bodily injury or serious damage to property ("Specific Applications"), please consult with the ROHM sales representative in advance. Unless otherwise agreed in writing by ROHM in advance, ROHM shall not be in any way responsible or liable for any damages, expenses or losses incurred by you or third parties arising from the use of any ROHM's Products for Specific Applications.

(Note1) Medical Equipment Classification of the Specific Applications

JAPAN	USA	EU	CHINA
CLASS III	CLASS III	CLASS II b	CLASS III
CLASS IV		CLASS III	

- ROHM designs and manufactures its Products subject to strict quality control system. However, semiconductor products can fail or malfunction at a certain rate. Please be sure to implement, at your own responsibilities, adequate safety measures including but not limited to fail-safe design against the physical injury, damage to any property, which a failure or malfunction of our Products may cause. The following are examples of safety measures:
 - Installation of protection circuits or other protective devices to improve system safety
 - Installation of redundant circuits to reduce the impact of single or multiple circuit failure
- Our Products are designed and manufactured for use under standard conditions and not under any special or extraordinary environments or conditions, as exemplified below. Accordingly, ROHM shall not be in any way responsible or liable for any damages, expenses or losses arising from the use of any ROHM's Products under any special or extraordinary environments or conditions. If you intend to use our Products under any special or extraordinary environments or conditions (as exemplified below), your independent verification and confirmation of product performance, reliability, etc. prior to use, must be necessary:
 - Use of our Products in any types of liquid, including water, oils, chemicals, and organic solvents
 - Use of our Products outdoors or in places where the Products are exposed to direct sunlight or dust
 - Use of our Products in places where the Products are exposed to sea wind or corrosive gases, including Cl₂, H₂S, NH₃, SO₂, and NO₂
 - Use of our Products in places where the Products are exposed to static electricity or electromagnetic waves
 - Use of our Products in proximity to heat-producing components, plastic cords, or other flammable items
 - Sealing or coating our Products with resin or other coating materials
 - Use of our Products without cleaning residue of flux (even if you use no-clean type fluxes, cleaning residue of flux is recommended); or Washing our Products by using water or water-soluble cleaning agents for cleaning residue after soldering
 - Use of the Products in places subject to dew condensation
- The Products are not subject to radiation-proof design.
- Please verify and confirm characteristics of the final or mounted products in using the Products.
- In particular, if a transient load (a large amount of load applied in a short period of time, such as pulse. is applied, confirmation of performance characteristics after on-board mounting is strongly recommended. Avoid applying power exceeding normal rated power; exceeding the power rating under steady-state loading condition may negatively affect product performance and reliability.
- De-rate Power Dissipation depending on ambient temperature. When used in sealed area, confirm that it is the use in the range that does not exceed the maximum junction temperature.
- Confirm that operation temperature is within the specified range described in the product specification.
- ROHM shall not be in any way responsible or liable for failure induced under deviant condition from what is defined in this document.

Precaution for Mounting / Circuit board design

- When a highly active halogenous (chlorine, bromine, etc.) flux is used, the residue of flux may negatively affect product performance and reliability.
- In principle, the reflow soldering method must be used on a surface-mount products, the flow soldering method must be used on a through hole mount products. If the flow soldering method is preferred on a surface-mount products, please consult with the ROHM representative in advance.

For details, please refer to ROHM Mounting specification

Precautions Regarding Application Examples and External Circuits

1. If change is made to the constant of an external circuit, please allow a sufficient margin considering variations of the characteristics of the Products and external components, including transient characteristics, as well as static characteristics.
2. You agree that application notes, reference designs, and associated data and information contained in this document are presented only as guidance for Products use. Therefore, in case you use such information, you are solely responsible for it and you must exercise your own independent verification and judgment in the use of such information contained in this document. ROHM shall not be in any way responsible or liable for any damages, expenses or losses incurred by you or third parties arising from the use of such information.

Precaution for Electrostatic

This Product is electrostatic sensitive product, which may be damaged due to electrostatic discharge. Please take proper caution in your manufacturing process and storage so that voltage exceeding the Products maximum rating will not be applied to Products. Please take special care under dry condition (e.g. Grounding of human body / equipment / solder iron, isolation from charged objects, setting of Ionizer, friction prevention and temperature / humidity control).

Precaution for Storage / Transportation

1. Product performance and soldered connections may deteriorate if the Products are stored in the places where:
 - [a] the Products are exposed to sea winds or corrosive gases, including Cl₂, H₂S, NH₃, SO₂, and NO₂
 - [b] the temperature or humidity exceeds those recommended by ROHM
 - [c] the Products are exposed to direct sunshine or condensation
 - [d] the Products are exposed to high Electrostatic
2. Even under ROHM recommended storage condition, solderability of products out of recommended storage time period may be degraded. It is strongly recommended to confirm solderability before using Products of which storage time is exceeding the recommended storage time period.
3. Store / transport cartons in the correct direction, which is indicated on a carton with a symbol. Otherwise bent leads may occur due to excessive stress applied when dropping of a carton.
4. Use Products within the specified time after opening a humidity barrier bag. Baking is required before using Products of which storage time is exceeding the recommended storage time period.

Precaution for Product Label

A two-dimensional barcode printed on ROHM Products label is for ROHM's internal use only.

Precaution for Disposition

When disposing Products please dispose them properly using an authorized industry waste company.

Precaution for Foreign Exchange and Foreign Trade act

Since concerned goods might be fallen under listed items of export control prescribed by Foreign exchange and Foreign trade act, please consult with ROHM in case of export.

Precaution Regarding Intellectual Property Rights

1. All information and data including but not limited to application example contained in this document is for reference only. ROHM does not warrant that foregoing information or data will not infringe any intellectual property rights or any other rights of any third party regarding such information or data.
2. ROHM shall not have any obligations where the claims, actions or demands arising from the combination of the Products with other articles such as components, circuits, systems or external equipment (including software).
3. No license, expressly or implied, is granted hereby under any intellectual property rights or other rights of ROHM or any third parties with respect to the Products or the information contained in this document. Provided, however, that ROHM will not assert its intellectual property rights or other rights against you or your customers to the extent necessary to manufacture or sell products containing the Products, subject to the terms and conditions herein.

Other Precaution

1. This document may not be reprinted or reproduced, in whole or in part, without prior written consent of ROHM.
2. The Products may not be disassembled, converted, modified, reproduced or otherwise changed without prior written consent of ROHM.
3. In no event shall you use in any way whatsoever the Products and the related technical information contained in the Products or this document for any military purposes, including but not limited to, the development of mass-destruction weapons.
4. The proper names of companies or products described in this document are trademarks or registered trademarks of ROHM, its affiliated companies or third parties.

General Precaution

1. Before you use our Products, you are requested to carefully read this document and fully understand its contents. ROHM shall not be in any way responsible or liable for failure, malfunction or accident arising from the use of any ROHM's Products against warning, caution or note contained in this document.
2. All information contained in this document is current as of the issuing date and subject to change without any prior notice. Before purchasing or using ROHM's Products, please confirm the latest information with a ROHM sales representative.
3. The information contained in this document is provided on an "as is" basis and ROHM does not warrant that all information contained in this document is accurate and/or error-free. ROHM shall not be in any way responsible or liable for any damages, expenses or losses incurred by you or third parties resulting from inaccuracy or errors of or concerning such information.