

R32C/116 Group

User's Manual: Hardware

RENESAS MCU

M16C Family / R32C/100 Series

All information contained in these materials, including products and product specifications, represents information on the product at the time of publication and is subject to change by Renesas Electronics Corp. without notice. Please review the latest information published by Renesas Electronics Corp. through various means, including the Renesas Electronics Corp. website (<http://www.renesas.com>).

Notice

1. Descriptions of circuits, software and other related information in this document are provided only to illustrate the operation of semiconductor products and application examples. You are fully responsible for the incorporation of these circuits, software, and information in the design of your equipment. Renesas Electronics assumes no responsibility for any losses incurred by you or third parties arising from the use of these circuits, software, or information.
2. Renesas Electronics has used reasonable care in preparing the information included in this document, but Renesas Electronics does not warrant that such information is error free. Renesas Electronics assumes no liability whatsoever for any damages incurred by you resulting from errors in or omissions from the information included herein.
3. Renesas Electronics does not assume any liability for infringement of patents, copyrights, or other intellectual property rights of third parties by or arising from the use of Renesas Electronics products or technical information described in this document. No license, express, implied or otherwise, is granted hereby under any patents, copyrights or other intellectual property rights of Renesas Electronics or others.
4. You should not alter, modify, copy, or otherwise misappropriate any Renesas Electronics product, whether in whole or in part. Renesas Electronics assumes no responsibility for any losses incurred by you or third parties arising from such alteration, modification, copy or otherwise misappropriation of Renesas Electronics product.
5. Renesas Electronics products are classified according to the following two quality grades: "Standard" and "High Quality". The recommended applications for each Renesas Electronics product depends on the product's quality grade, as indicated below.
"Standard": Computers; office equipment; communications equipment; test and measurement equipment; audio and visual equipment; home electronic appliances; machine tools; personal electronic equipment; and industrial robots etc.
"High Quality": Transportation equipment (automobiles, trains, ships, etc.); traffic control systems; anti-disaster systems; anti-crime systems; and safety equipment etc.

Renesas Electronics products are neither intended nor authorized for use in products or systems that may pose a direct threat to human life or bodily injury (artificial life support devices or systems, surgical implantations etc.), or may cause serious property damages (nuclear reactor control systems, military equipment etc.). You must check the quality grade of each Renesas Electronics product before using it in a particular application. You may not use any Renesas Electronics product for any application for which it is not intended. Renesas Electronics shall not be in any way liable for any damages or losses incurred by you or third parties arising from the use of any Renesas Electronics product for which the product is not intended by Renesas Electronics.
6. You should use the Renesas Electronics products described in this document within the range specified by Renesas Electronics, especially with respect to the maximum rating, operating supply voltage range, movement power voltage range, heat radiation characteristics, installation and other product characteristics. Renesas Electronics shall have no liability for malfunctions or damages arising out of the use of Renesas Electronics products beyond such specified ranges.
7. Although Renesas Electronics endeavors to improve the quality and reliability of its products, semiconductor products have specific characteristics such as the occurrence of failure at a certain rate and malfunctions under certain use conditions. Further, Renesas Electronics products are not subject to radiation resistance design. Please be sure to implement safety measures to guard them against the possibility of physical injury, and injury or damage caused by fire in the event of the failure of a Renesas Electronics product, such as safety design for hardware and software including but not limited to redundancy, fire control and malfunction prevention, appropriate treatment for aging degradation or any other appropriate measures. Because the evaluation of microcomputer software alone is very difficult, please evaluate the safety of the final products or systems manufactured by you.
8. Please contact a Renesas Electronics sales office for details as to environmental matters such as the environmental compatibility of each Renesas Electronics product. Please use Renesas Electronics products in compliance with all applicable laws and regulations that regulate the inclusion or use of controlled substances, including without limitation, the EU RoHS Directive. Renesas Electronics assumes no liability for damages or losses occurring as a result of your noncompliance with applicable laws and regulations.
9. Renesas Electronics products and technology may not be used for or incorporated into any products or systems whose manufacture, use, or sale is prohibited under any applicable domestic or foreign laws or regulations. You should not use Renesas Electronics products or technology described in this document for any purpose relating to military applications or use by the military, including but not limited to the development of weapons of mass destruction. When exporting the Renesas Electronics products or technology described in this document, you should comply with the applicable export control laws and regulations and follow the procedures required by such laws and regulations.
10. It is the responsibility of the buyer or distributor of Renesas Electronics products, who distributes, disposes of, or otherwise places the product with a third party, to notify such third party in advance of the contents and conditions set forth in this document, Renesas Electronics assumes no responsibility for any losses incurred by you or third parties as a result of unauthorized use of Renesas Electronics products.
11. This document may not be reproduced or duplicated in any form, in whole or in part, without prior written consent of Renesas Electronics.
12. Please contact a Renesas Electronics sales office if you have any questions regarding the information contained in this document or Renesas Electronics products, or if you have any other inquiries.

(Note 1) "Renesas Electronics" as used in this document means Renesas Electronics Corporation and also includes its majority-owned subsidiaries.

(Note 2) "Renesas Electronics product(s)" means any product developed or manufactured by or for Renesas Electronics.

General Precautions in the Handling of MPU/MCU Products

The following usage notes are applicable to all MPU/MCU products from Renesas. For detailed usage notes on the products covered by this manual, refer to the relevant sections of the manual. If the descriptions under General Precautions in the Handling of MPU/MCU Products and in the body of the manual differ from each other, the description in the body of the manual takes precedence.

1. Handling of Unused Pins

Handle unused pins in accord with the directions given under Handling of Unused Pins in the manual.

- The input pins of CMOS products are generally in the high-impedance state. In operation with an unused pin in the open-circuit state, extra electromagnetic noise is induced in the vicinity of LSI, an associated shoot-through current flows internally, and malfunctions occur due to the false recognition of the pin state as an input signal become possible. Unused pins should be handled as described under Handling of Unused Pins in the manual.

2. Processing at Power-on

The state of the product is undefined at the moment when power is supplied.

- The states of internal circuits in the LSI are indeterminate and the states of register settings and pins are undefined at the moment when power is supplied.

In a finished product where the reset signal is applied to the external reset pin, the states of pins are not guaranteed from the moment when power is supplied until the reset process is completed.

In a similar way, the states of pins in a product that is reset by an on-chip power-on reset function are not guaranteed from the moment when power is supplied until the power reaches the level at which resetting has been specified.

3. Prohibition of Access to Reserved Addresses

Access to reserved addresses is prohibited.

- The reserved addresses are provided for the possible future expansion of functions. Do not access these addresses; the correct operation of LSI is not guaranteed if they are accessed.

4. Clock Signals

After applying a reset, only release the reset line after the operating clock signal has become stable. When switching the clock signal during program execution, wait until the target clock signal has stabilized.

- When the clock signal is generated with an external resonator (or from an external oscillator) during a reset, ensure that the reset line is only released after full stabilization of the clock signal. Moreover, when switching to a clock signal produced with an external resonator (or by an external oscillator) while program execution is in progress, wait until the target clock signal is stable.

5. Differences between Products

Before changing from one product to another, i.e. to one with a different part number, confirm that the change will not lead to problems.

- The characteristics of MPU/MCU in the same group but having different part numbers may differ because of the differences in internal memory capacity and layout pattern. When changing to products of different part numbers, implement a system-evaluation test for each of the products.

About This Manual

1. Purpose and Target User

This manual is designed to be read primarily by application developers who have an understanding of this microcomputer (MCU) including its hardware functions and electrical characteristics. The user should have a basic understanding of electric circuits, logic circuits and, MCUs.

This manual consists of 28 chapters covering six main categories: Overview, CPU, System Control, Peripherals, Electrical Characteristics, and Usage Notes.

Carefully read all notes in this document prior to use. Notes are found throughout each chapter, at the end of each chapter, and in the dedicated Usage Notes chapter.

The Revision History at the end of this manual summarizes primary modifications and additions to the previous versions. For details, please refer to the relative chapters or sections of this manual.

The R32C/116 Group includes the documents listed below. Verify this manual is the latest version by visiting the Renesas Electronics website.

Type of Document	Contents	Document Name	Document Number
Datasheet	Overview of Hardware and Electrical Characteristics	R32C/116 Group Datasheet	R01DS0063EJ0120
User's Manual: Hardware	Specifications and detailed descriptions of: -pin layout -memory map -peripherals -electrical characteristics -timing characteristics Refer to the Application Manual for peripheral usage.	R32C/116 Group User's Manual: Hardware	This publication
User's Manual: Software/Software Manual	Descriptions of instruction set	R32C/100 Series Software Manual	REJ09B0267-0100
Application Note	-Usages -Applications -Sample programs -Programming technics using Assembly language or C programming language	Available on the Renesas Electronics website.	
Renesas Technical Update	Bulletins on product specifications, documents, etc.		

2. Numbers and Symbols

The following explains the denotations used in this manual for registers, bits, pins and various numbers.

(1) Registers, bits, and pins

Registers, bits, and pins are indicated by symbols. Each symbol has a register/bit/pin identifier after the symbol.

Example: PM03 bit in the PM0 register

P3_5 pin, VCC pin

(2) Numbers

A binary number has the suffix "b" except for a 1-bit value.

A hexadecimal number has the suffix "h".

A decimal number has no suffix.

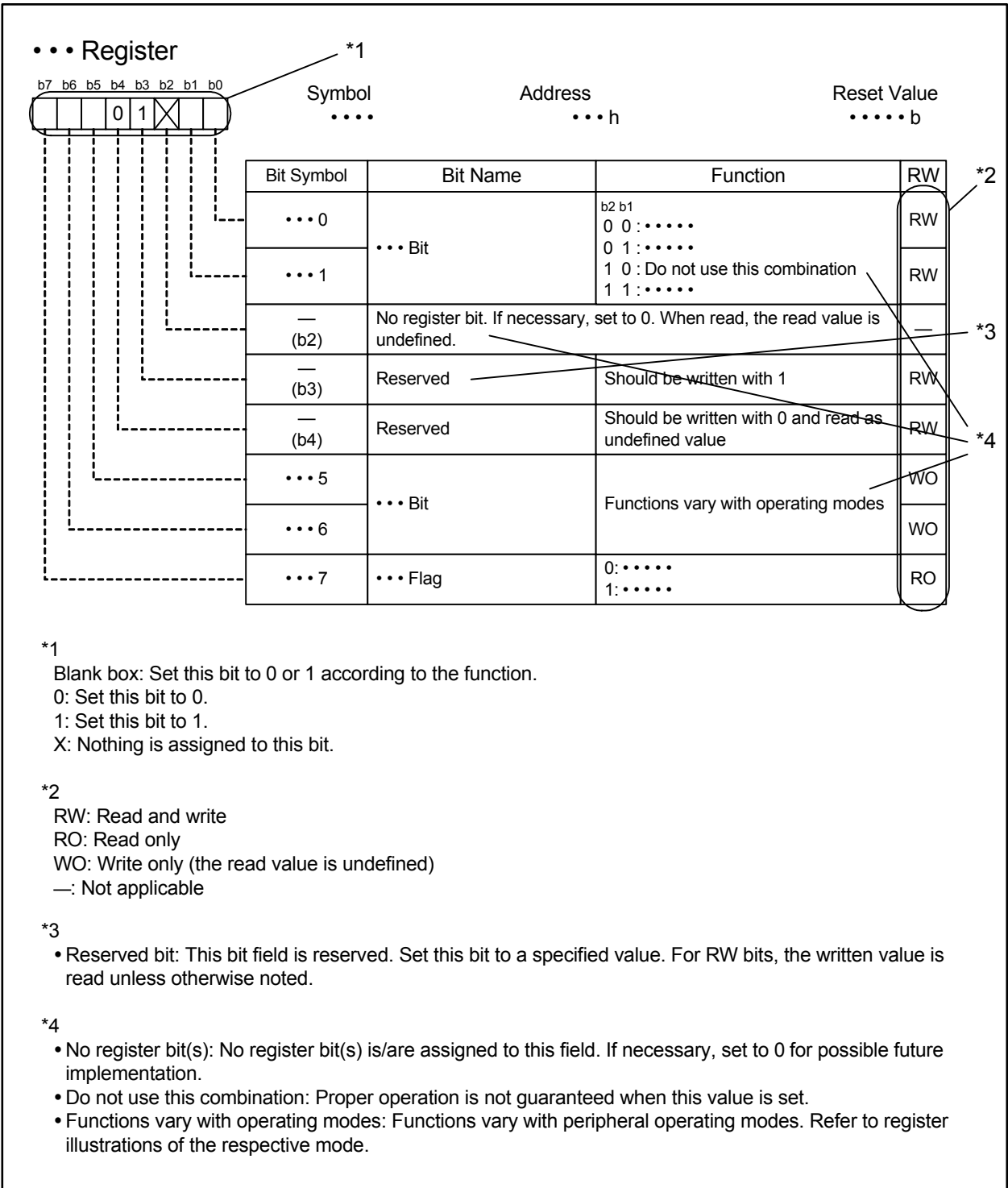
Example: Binary notation: 11b

Hexadecimal notation: EFA0h

Decimal notation: 1234

3. Registers

The following illustration describes registers used throughout this manual.



4. Abbreviations and Acronyms

The following acronyms and terms are used throughout this manual.

Abbreviation/Acronym	Meaning
ACIA	Asynchronous Communications Interface Adapter
bps	bits per second
CRC	Cyclic Redundancy Check
DMA	Direct Memory Access
DMAC	Direct Memory Access Controller
GSM	Global System for Mobile Communications
Hi-Z	High Impedance
IEBus	Inter Equipment Bus
I/O	Input/Output
IrDA	Infrared Data Association
LSB	Least Significant Bit
MSB	Most Significant Bit
NC	Non-Connection
PLL	Phase Locked Loop
PWM	Pulse Width Modulation
SIM	Subscriber Identity Module
UART	Universal Asynchronous Receiver/Transmitter
VCO	Voltage Controlled Oscillator

TABLE OF CONTENTS

1.	Overview	1
1.1	Features.....	1
1.1.1	Applications	1
1.1.2	Performance Overview	2
1.2	Product Information	6
1.3	Block Diagram	9
1.4	Pin Assignments	10
1.5	Pin Definitions and Functions	19
2.	Central Processing Unit (CPU)	24
2.1	General Purpose Registers	25
2.1.1	Data Registers (R2R0, R3R1, R6R4, and R7R5).....	25
2.1.2	Address Registers (A0, A1, A2, and A3)	25
2.1.3	Static Base Register (SB).....	25
2.1.4	Frame Base Register (FB).....	25
2.1.5	Program Counter (PC).....	25
2.1.6	Interrupt Vector Table Base Register (INTB)	25
2.1.7	User Stack Pointer (USP) and Interrupt Stack Pointer (ISP)	25
2.1.8	Flag Register (FLG).....	25
2.2	Fast Interrupt Registers	27
2.2.1	Save Flag Register (SVF).....	27
2.2.2	Save PC Register (SVP)	27
2.2.3	Vector Register (VCT)	27
2.3	DMAC-associated Registers.....	27
2.3.1	DMA Mode Registers (DMD0, DMD1, DMD2, and DMD3)	27
2.3.2	DMA Terminal Count Registers (DCT0, DCT1, DCT2, and DCT3)	27
2.3.3	DMA Terminal Count Reload Registers (DCR0, DCR1, DCR2, and DCR3)	27
2.3.4	DMA Source Address Registers (DSA0, DSA1, DSA2, and DSA3).....	27
2.3.5	DMA Source Address Reload Registers (DSR0, DSR1, DSR2, and DSR3).....	27
2.3.6	DMA Destination Address Registers (DDA0, DDA1, DDA2, and DDA3)	27
2.3.7	DMA Destination Address Reload Registers (DDR0, DDR1, DDR2, and DDR3)	27
3.	Memory	28
4.	Special Function Registers (SFRs)	29
5.	Resets	54
5.1	Hardware Reset.....	54
5.2	Software Reset	57
5.3	Watchdog Timer Reset	57
5.4	Reset Vector	57

6.	Power Management	58
6.1	Voltage Regulators for Internal Logic.....	58
6.1.1	Decoupling Capacitor	59
6.2	Low Voltage Detector.....	60
6.2.1	Operational State of Low Voltage Detector.....	63
6.2.2	Low Voltage Detection Interrupt	63
6.2.3	Application Example of the Low Voltage Detector.....	64
7.	Processor Mode	65
7.1	Types of Processor Modes	65
7.2	Processor Mode Setting	65
8.	Clock Generator	68
8.1	Clock Generator Types	68
8.1.1	Main Clock.....	77
8.1.2	Sub Clock (fC).....	78
8.1.3	PLL Clock	79
8.1.4	On-chip Oscillator Clock	82
8.2	Oscillator Stop Detection	83
8.2.1	How to Use Oscillator Stop Detection.....	83
8.3	Base Clock.....	83
8.4	CPU Clock and Peripheral Bus Clock.....	84
8.5	Peripheral Clock	84
8.6	Clock Output Function	85
8.7	Power Control	86
8.7.1	Normal Operating Mode	87
8.7.2	Wait Mode.....	92
8.7.3	Stop Mode	95
8.8	System Clock Protection.....	97
8.9	Notes on Clock Generator	98
8.9.1	Sub Clock	98
8.9.2	Power Control.....	98
9.	Bus	99
9.1	Bus Settings.....	99
9.2	Peripheral Bus Timing Setting	100
9.3	External Bus Setting	101
9.3.1	External Address Space Setting	101
9.3.2	External Data Bus Width Setting	107
9.3.3	Separate Bus/Multiplexed Bus Selection.....	109
9.3.4	Read and Write Signals.....	112
9.3.5	External Bus Timing.....	114

9.3.6	ALE Signal	118
9.3.7	$\overline{\text{RDY}}$ Signal	119
9.3.8	$\overline{\text{HOLD}}$ Signal	122
9.3.9	BCLK Output	122
9.4	External Bus State when Accessing Internal Space	122
9.5	Notes on Bus	123
9.5.1	Notes on Designing a System	123
9.5.2	Notes on Register Settings	123
10.	Protection	124
10.1	Protect Register (PRCR Register)	124
10.2	Protect Register 2 (PRCR2 Register)	125
10.3	Protect Register 3 (PRCR3 Register)	125
10.4	Protect Release Register (PRR Register)	126
11.	Interrupts	127
11.1	Interrupt Types	127
11.2	Software Interrupts	128
11.3	Hardware Interrupts	129
11.3.1	Special Interrupts	129
11.3.2	Peripheral Interrupts	129
11.4	Fast Interrupt	130
11.5	Interrupt Vectors	130
11.5.1	Fixed Vector Table	131
11.5.2	Relocatable Vector Table	131
11.6	Interrupt Request Acceptance	136
11.6.1	I Flag and IPL	136
11.6.2	Interrupt Control Registers	137
11.6.3	Wake-up IPL Setting Register	140
11.6.4	Interrupt Sequence	141
11.6.5	Interrupt Response Time	142
11.6.6	IPL after Accepting an Interrupt Request	143
11.6.7	Register Saving	143
11.7	Register Restoring from Interrupt Handler	144
11.8	Interrupt Priority	144
11.9	Priority Resolver	144
11.10	External Interrupt	146
11.11	NMI	147
11.12	Key Input Interrupt	148
11.13	Intelligent I/O Interrupt	149
11.14	Notes on Interrupts	152
11.14.1	ISP Setting	152

11.14.2	NMI	152
11.14.3	External Interrupts	152
12.	Watchdog Timer	153
13.	DMAC	155
13.1	Transfer Cycle.....	164
13.1.1	Effect of Transfer Address and Data Bus Width	164
13.1.2	Effect of Bus Timing.....	165
13.1.3	Effect of $\overline{\text{RDY}}$ Signal	165
13.2	DMA Transfer Cycle.....	167
13.3	Channel Priority and DMA Transfer Timing	168
13.4	Notes on DMAC.....	169
13.4.1	DMAC-associated Register Settings	169
13.4.2	Reading DMAC-associated Registers	169
14.	DMAC II	170
14.1	DMAC II Settings	170
14.1.1	Registers RIPL1 and RIPL2	171
14.1.2	DMAC II Index	172
14.1.3	Interrupt Control Register of the Peripherals	175
14.1.4	Relocatable Vector Table of the Peripherals.....	175
14.1.5	IRLT Bit in the IIOiE Register (i = 0 to 11).....	175
14.2	DMAC II Operation	175
14.3	Transfer Types	175
14.3.1	Memory-to-memory Transfer	175
14.3.2	Immediate Data Transfer	176
14.3.3	Calculation Result Transfer	176
14.4	Transfer Modes.....	176
14.4.1	Single Transfer	176
14.4.2	Burst Transfer	176
14.4.3	Multiple Transfer.....	176
14.5	Chain Transfer	177
14.6	DMA II Transfer Complete Interrupt.....	177
14.7	Execution Time	178
15.	Programmable I/O Ports	179
15.1	Port Pi Register (Pi register, i = 0 to 15)	181
16.	Timers	182
16.1	Timer A	184
16.1.1	Timer Mode.....	191
16.1.2	Event Counter Mode.....	193

16.1.3	One-shot Timer Mode.....	197
16.1.4	Pulse-width Modulation Mode.....	199
16.2	Timer B	202
16.2.1	Timer Mode.....	205
16.2.2	Event Counter Mode.....	207
16.2.3	Pulse Period/Pulse-width Measure Mode.....	209
16.3	Notes on Timers.....	212
16.3.1	Timer A and Timer B.....	212
16.3.2	Timer A	212
16.3.3	Timer B	214
17.	Three-phase Motor Control Timers	215
17.1	Modulation Modes of Three-phase Motor Control Timers	222
17.2	Timer B2	223
17.3	Timers A4, A1, and A2.....	225
17.4	Simultaneous Conduction Prevention and Dead Time Timer	228
17.5	Three-phase Motor Control Timer Operation.....	229
17.6	Notes on Three-phase Motor Control Timers	232
17.6.1	Shutdown.....	232
17.6.2	Register Setting	232
18.	Serial Interface	233
18.1	Synchronous Serial Interface Mode.....	250
18.1.1	Reset Procedure on Transmit/Receive Error.....	255
18.1.2	CLK Polarity.....	255
18.1.3	LSB First and MSB First Selection	256
18.1.4	Continuous Receive Mode	256
18.1.5	Serial Data Logic Inversion.....	257
18.1.6	CTS/RTS Function.....	257
18.2	Asynchronous Serial Interface Mode (UART Mode).....	258
18.2.1	Bit Rate.....	263
18.2.2	Reset Procedure on Transmit/Receive Error.....	264
18.2.3	LSB First and MSB First Selection	264
18.2.4	Serial Data Logic Inversion.....	265
18.2.5	TXD and RXD I/O Polarity Inversion	266
18.2.6	CTS/RTS Function.....	266
18.3	Special Mode 1 (I ² C Mode).....	267
18.3.1	START Condition and STOP Condition Detection.....	273
18.3.2	START Condition and STOP Condition Generation	273
18.3.3	Arbitration	274
18.3.4	SCL Control and Clock Synchronization	275
18.3.5	SDA Output	277

18.3.6	SDA Input	277
18.3.7	Acknowledge	277
18.3.8	Transmit/Receive Operation Reset.....	277
18.4	Special Mode 2	278
18.4.1	\overline{SS}_i Input Pin Function (i = 0 to 6).....	280
18.4.2	Clock Phase Setting	281
18.5	Notes on Serial Interface	283
18.5.1	Changing the UiBRG Register (i = 0 to 8)	283
18.5.2	Synchronous Serial Interface Mode	283
18.5.3	Special Mode 1 (I ² C Mode)	283
18.5.4	Reset Procedure on Communication Error.....	284
19.	A/D Converter	285
19.1	Mode Descriptions	293
19.1.1	One-shot Mode.....	293
19.1.2	Repeat Mode	294
19.1.3	Single Sweep Mode.....	295
19.1.4	Repeat Sweep Mode 0	296
19.1.5	Repeat Sweep Mode 1	297
19.1.6	Multi-port Single Sweep Mode.....	298
19.1.7	Multi-port Repeat Sweep Mode 0	299
19.2	Functions	300
19.2.1	Resolution Selection	300
19.2.2	Sample and Hold Function	300
19.2.3	Trigger Selection.....	300
19.2.4	DMAC Operating Mode	300
19.2.5	Function-extended Analog Input Pins.....	301
19.2.6	External Operating Amplifier (Op-Amp) Connection Mode.....	301
19.2.7	Power Saving	302
19.2.8	Output Impedance of Sensor Equivalent Circuit under A/D Conversion	302
19.3	Notes on A/D Converter.....	304
19.3.1	Notes on Designing Boards.....	304
19.3.2	Notes on Programming.....	305
20.	D/A Converter	306
21.	CRC Calculator	308
22.	X-Y Conversion	311
22.1	Data Conversion When Reading	312
22.2	Data Conversion When Writing.....	314

23. Intelligent I/O	315
23.1 Base Timer for Groups 0 to 2.....	330
23.2 Time Measurement for Groups 0 and 1.....	336
23.3 Waveform Generation for Groups 0 to 2.....	340
23.3.1 Single-phase Waveform Output Mode for Groups 0 to 2.....	341
23.3.2 Inverted Waveform Output Mode for Groups 0 to 2.....	343
23.3.3 Set/Reset Waveform Output Mode (SR Waveform Output Mode) for Groups 0 to 2.....	345
23.3.4 Bit Modulation PWM Output Mode for Group 2.....	348
23.3.5 Real-time Port Output Mode (RTP Output Mode) for Group 2.....	350
23.3.6 Parallel Real-time Port Output Mode (RTP Output Mode) for Group 2.....	352
23.4 Group 2 Serial Interface.....	354
23.4.1 Variable Synchronous Serial Interface Mode for Group 2.....	359
24. Multi-master I²C-bus Interface	362
24.1 Multi-master I ² C-bus Interface-associated Registers.....	364
24.1.1 I ² C-bus Transmit/Receive Shift Register (I2CTRSR).....	364
24.1.2 I ² C-bus Slave Address Register (I2CSAR).....	365
24.1.3 I ² C-bus Control Register 0 (I2CCR0).....	366
24.1.4 I ² C-bus Clock Control Register (I2CCCR).....	368
24.1.5 I ² C-bus START and STOP Conditions Control Register (I2CSSCR).....	370
24.1.6 I ² C-bus Control Register 1 (I2CCR1).....	371
24.1.7 I ² C-bus Control Register 2 (I2CCR2).....	374
24.1.8 I ² C-bus Status Register (I2CSR).....	376
24.1.9 I ² C-bus Mode Register (I2CMR).....	380
24.2 Generating a START Condition.....	381
24.3 Generating a STOP Condition.....	383
24.4 START Condition Redundancy Prevention Function.....	384
24.5 Detecting START and STOP Conditions.....	385
24.6 Data Transmission and Reception.....	387
24.6.1 Master Transmission.....	388
24.6.2 Slave Reception.....	389
24.7 Notes on Using Multi-master I ² C-bus Interface.....	390
24.7.1 Accessing Multi-master I ² C-bus Interface-associated Registers.....	390
24.7.2 Generating a Repeated START condition.....	392
25. I/O Pins	393
25.1 Port Pi Direction Register (PDi Register, i = 0 to 15).....	394
25.2 Output Function Select Registers.....	395
25.3 Input Function Select Registers.....	413
25.4 Pull-up Control Registers 0 to 4 (Registers PUR0 to PUR4).....	417
25.5 Port Control Register (PCR Register).....	420
25.6 Configuring Unused Pins.....	421

26. Flash Memory	424
26.1 Overview	424
26.2 Flash Memory Protection	426
26.2.1 Lock Bit Protection	426
26.2.2 ROM Code Protection	426
26.2.3 ID Code Protection	427
26.2.4 Forcible Erase Function	428
26.2.5 Standard Serial I/O Mode Disable Function	429
26.3 CPU Rewrite Mode	430
26.3.1 CPU Operating Mode and Flash Memory Rewrite	438
26.3.2 Flash Memory Rewrite Bus Timing	439
26.3.3 Software Commands	443
26.3.4 Mode Transition	444
26.3.5 Issuing Software Commands	445
26.3.6 Status Check	451
26.4 Standard Serial I/O Mode	452
26.5 Parallel I/O mode	455
26.6 Notes on Flash Memory Rewriting	456
26.6.1 Note on Power Supply	456
26.6.2 Note on Hardware Reset	456
26.6.3 Note on Flash Memory Protection	456
26.6.4 Notes on Programming	456
26.6.5 Notes on Interrupts	456
26.6.6 Notes on Rewrite Control Program	457
26.6.7 Notes on Number of Program/Erase Cycles and Software Command Execution Time	457
26.6.8 Other Notes	457
27. Electrical Characteristics	458
28. Usage Notes	499
28.1 Notes on Board Designing	499
28.1.1 Power Supply Pins	499
28.1.2 Supply Voltage	499
28.2 Notes on Register Setting	500
28.2.1 Registers with Write-only Bits	500
28.3 Notes on Clock Generator	502
28.3.1 Sub Clock	502
28.3.2 Power Control	502
28.4 Notes on Bus	503
28.4.1 Notes on Designing a System	503
28.4.2 Notes on Register Settings	503
28.5 Notes on Interrupts	504

28.5.1	ISP Setting.....	504
28.5.2	NMI	504
28.5.3	External Interrupts	504
28.6	Notes on DMAC.....	505
28.6.1	DMAC-associated Register Settings	505
28.6.2	Reading DMAC-associated Registers	505
28.7	Notes on Timers.....	506
28.7.1	Timer A and Timer B.....	506
28.7.2	Timer A	506
28.7.3	Timer B	508
28.8	Notes on Three-phase Motor Control Timers	509
28.8.1	Shutdown.....	509
28.8.2	Register Setting	509
28.9	Notes on Serial Interface	510
28.9.1	Changing the UiBRG Register (i = 0 to 8)	510
28.9.2	Synchronous Serial Interface Mode	510
28.9.3	Special Mode 1 (I ² C Mode)	510
28.9.4	Reset Procedure on Communication Error.....	511
28.10	Notes on A/D Converter.....	512
28.10.1	Notes on Designing Boards.....	512
28.10.2	Notes on Programming.....	513
28.11	Notes on Flash Memory Rewriting.....	514
28.11.1	Note on Power Supply	514
28.11.2	Note on Hardware Reset	514
28.11.3	Note on Flash Memory Protection	514
28.11.4	Notes on Programming.....	514
28.11.5	Notes on Interrupts	514
28.11.6	Notes on Rewrite Control Program.....	515
28.11.7	Notes on Number of Program/Erase Cycles and Software Command Execution Time	515
28.11.8	Other Notes	515
Appendix 1. Package Dimensions		516
INDEX		517

1. Overview

1.1 Features

The M16C Family offers a robust platform of 32-/16-bit CISC microcomputers (MCUs) featuring high ROM code efficiency, extensive EMI/EMS noise immunity, ultra-low power consumption, high-speed processing in actual applications, and numerous and varied integrated peripherals. Extensive device scalability from low- to high-end, featuring a single architecture as well as compatible pin assignments and peripheral functions, provides support for a vast range of application fields.

The R32C/100 Series is a high-end microcontroller series in the M16C Family. With a 4-Gbyte memory space, it achieves maximum code efficiency and high-speed processing with 32-bit CISC architecture, multiplier, multiply-accumulate unit, and floating point unit. The selection from the broadest choice of on-chip peripheral devices — UART, CRC, DMAC, A/D and D/A converters, timers, I²C, and watchdog timer enables to minimize external components.

The R32C/116 Group is the standard MCU within the R32C/100 Series. This product, provided as 100-pin and 144-pin plastic molded LQFP packages, has nine channels of serial interface and one channel of multi-master I²C-bus interface.

1.1.1 Applications

Car audio, audio, cameras, television, home appliance, printer, office/industrial equipment, communication/portable devices, etc.

1.1.2 Performance Overview

Tables 1.1 to 1.4 list the performance overview of the R32C/116 Group.

Table 1.1 Performance Overview for the 144-pin Package (1/2)

Unit	Function	Explanation
CPU	Central processing unit	R32C/100 Series CPU Core <ul style="list-style-type: none"> • Basic instructions: 108 • Minimum instruction execution time: 15.625 ns ($f(\text{CPU}) = 64 \text{ MHz}$) • Multiplier: 32-bit \times 32-bit \rightarrow 64-bit • Multiply-accumulate unit: 32-bit \times 32-bit + 64-bit \rightarrow 64-bit • IEEE-754 compatible FPU: Single precision • 32-bit barrel shifter • Operating mode: Single-chip mode, memory expansion mode, microprocessor mode (optional ⁽¹⁾)
Memory		Flash memory: 384 Kbytes to 1 Mbyte RAM: 40 K/48 K/63 Kbytes Data flash: 4 Kbytes \times 2 blocks Refer to Table 1.5 for each product's memory size
Voltage Detector	Low voltage detector	Optional ⁽¹⁾ Low voltage detection interrupt
Clock	Clock generator	<ul style="list-style-type: none"> • 4 circuits (main clock, sub clock, PLL, on-chip oscillator) • Oscillation stop detector: Main clock oscillator stop/restart detection • Frequency divide circuit: Divide-by-2 to divide-by-24 selectable • Low power modes: Wait mode, stop mode
External Bus Expansion	Bus and memory expansion	<ul style="list-style-type: none"> • Address space: 4 Gbytes (of which up to 64 Mbytes is user accessible) • External bus Interface: Support for wait-state insertion, 4 chip select outputs • Bus format: Separate bus/Multiplexed bus selectable, data bus width selectable (8/16/32 bits)
Interrupts		Interrupt vectors: 261 External interrupt inputs: $\overline{\text{NMI}}$, $\overline{\text{INT}} \times 9$, key input $\times 4$ Interrupt priority levels: 7
Watchdog Timer		15 bits \times 1 (selectable input frequency from prescaler output)
DMA	DMAC	4 channels <ul style="list-style-type: none"> • Cycle-steal transfer mode • Request sources: 57 • 2 transfer modes: Single transfer, repeat transfer
	DMAC II	<ul style="list-style-type: none"> • Triggered by an interrupt request of any peripheral • 3 characteristic transfer functions: Immediate data transfer, calculation result transfer, chain transfer
I/O Ports	Programmable I/O ports	<ul style="list-style-type: none"> • 2 input-only ports • 120 CMOS I/O ports (of which 32 are 5 V tolerant) • A pull-up resistor is selectable for every 4 input ports (except 5 V tolerant inputs)

Note:

1. Contact a Renesas Electronics sales office to use the optional features.

Table 1.2 Performance Overview for the 144-pin Package (2/2)

Unit	Function	Explanation
Timer	Timer A	16-bit timer × 5 Timer mode, event counter mode, one-shot timer mode, pulse-width modulation (PWM) mode Two-phase pulse signal processing in event counter mode (two-phase encoder input) × 3
	Timer B	16-bit timer × 6 Timer mode, event counter mode, pulse frequency measurement mode, pulse-width measurement mode
	Three-phase motor control timer	Three-phase motor control timer × 1 (timers A1, A2, A4, and B2 used) 8-bit programmable dead time timer
Serial Interface	UART0 to UART8	Asynchronous/synchronous serial interface × 9 channels <ul style="list-style-type: none"> • I²C-bus (UART0 to UART6) • Special mode 2 (UART0 to UART6) • IEBus (optional ⁽¹⁾) (UART0 to UART6)
A/D Converter		10-bit resolution × 34 channels Sample and hold functionality integrated
D/A Converter		8-bit resolution × 2
CRC Calculator		CRC-CCITT ($X^{16} + X^{12} + X^5 + 1$)
X-Y Converter		16 bits × 16 bits
Intelligent I/O		Time measurement (input capture): 16 bits × 16 Waveform generation (output compare): 16 bits × 24 Serial interface: Variable-length synchronous serial I/O mode, IEBus mode (optional ⁽¹⁾)
Multi-master I ² C-bus Interface		1 channel
Flash Memory		Programming and erasure supply voltage: VCC = 3.0 to 5.5 V Minimum endurance: 1,000 program/erase cycles Security protection: ROM code protect, ID code protect Debugging: On-chip debug, on-board flash programming
Operating Frequency/Supply Voltage		64 MHz (high speed version)/VCC = 3.0 to 5.5 V 50 MHz (normal speed version)/VCC = 3.0 to 5.5 V
Operating Temperature		-20°C to 85°C (N version) -40°C to 85°C (D version) -40°C to 85°C (P version)
Current Consumption		45 mA (VCC = 5.0 V, f(CPU) = 64 MHz) 35 mA (VCC = 5.0 V, f(CPU) = 50 MHz) 8 μA (VCC = 3.3 V, f(XCIN) = 32.768 kHz, in wait mode)
Package		144-pin plastic molded LQFP (PLQP0144KA-A)

Note:

1. Contact a Renesas Electronics sales office to use the optional features.

Table 1.3 Performance Overview for the 100-pin Package (1/2)

Unit	Function	Explanation
CPU	Central processing unit	R32C/100 Series CPU Core <ul style="list-style-type: none"> • Basic instructions: 108 • Minimum instruction execution time: 15.625 ns ($f(\text{CPU}) = 64 \text{ MHz}$) • Multiplier: 32-bit \times 32-bit \rightarrow 64-bit • Multiply-accumulate unit: 32-bit \times 32-bit + 64-bit \rightarrow 64-bit • IEEE-754 compatible FPU: Single precision • 32-bit barrel shifter • Operating mode: Single-chip mode, memory expansion mode, microprocessor mode (optional ⁽¹⁾)
Memory		Flash memory: 384 Kbytes to 1 Mbyte RAM: 40 K/48 K/63 Kbytes Data flash: 4 Kbytes \times 2 blocks Refer to Table 1.5 for each product's memory size
Voltage Detector	Low voltage detector	Optional ⁽¹⁾ Low voltage detection interrupt
Clock	Clock generator	<ul style="list-style-type: none"> • 4 circuits (main clock, sub clock, PLL, on-chip oscillator) • Oscillation stop detector: Main clock oscillator stop/restart detection • Frequency divide circuit: Divide-by-2 to divide-by-24 selectable • Low power modes: Wait mode, stop mode
External Bus Expansion	Bus and memory expansion	<ul style="list-style-type: none"> • Address space: 4 Gbytes (of which up to 64 Mbytes is user accessible) • External bus Interface: Support for wait-state insertion, 4 chip select outputs • Bus format: Separate bus/Multiplexed bus selectable, data bus width selectable (8/16 bits)
Interrupts		Interrupt vectors: 261 External interrupt inputs: $\overline{\text{NMI}}$, $\overline{\text{INT}} \times 6$, key input $\times 4$ Interrupt priority levels: 7
Watchdog Timer		15 bits \times 1 (selectable input frequency from prescaler output)
DMA	DMAC	4 channels <ul style="list-style-type: none"> • Cycle-steal transfer mode • Request sources: 51 • 2 transfer modes: Single transfer, repeat transfer
	DMAC II	<ul style="list-style-type: none"> • Triggered by an interrupt request of any peripheral • 3 characteristic transfer functions: Immediate data transfer, calculation result transfer, chain transfer
I/O Ports	Programmable I/O ports	<ul style="list-style-type: none"> • 2 input-only ports • 84 CMOS I/O ports (of which 32 are 5 V tolerant) • A pull-up resistor is selectable for every 4 input ports (except 5 V tolerant inputs)

Note:

1. Contact a Renesas Electronics sales office to use the optional features.

Table 1.4 Performance Overview for the 100-pin Package (2/2)

Unit	Function	Explanation
Timer	Timer A	16-bit timer × 5 Timer mode, event counter mode, one-shot timer mode, pulse-width modulation (PWM) mode Two-phase pulse signal processing in event counter mode (two-phase encoder input) × 3
	Timer B	16-bit timer × 6 Timer mode, event counter mode, pulse frequency measurement mode, pulse-width measurement mode
	Three-phase motor control timer	Three-phase motor control timer × 1 (timers A1, A2, A4, and B2 used) 8-bit programmable dead time timer
Serial Interface	UART0 to UART8	Asynchronous/synchronous serial interface × 9 channels • I ² C-bus (UART0 to UART6) • Special mode 2 (UART0 to UART6) • IEBus (optional ⁽¹⁾) (UART0 to UART6)
A/D Converter		10-bit resolution × 26 channels Sample and hold functionality integrated
D/A Converter		8-bit resolution × 2
CRC Calculator		CRC-CCITT ($X^{16} + X^{12} + X^5 + 1$)
X-Y Converter		16 bits × 16 bits
Intelligent I/O		Time measurement (input capture): 16 bits × 16 Waveform generation (output compare): 16 bits × 19 Serial interface: Variable-length synchronous serial I/O mode, IEBus mode (optional ⁽¹⁾)
Multi-master I ² C-bus Interface		1 channel
Flash Memory		Programming and erasure supply voltage: VCC = 3.0 to 5.5 V Minimum endurance: 1,000 program/erase cycles Security protection: ROM code protect, ID code protect Debugging: On-chip debug, on-board flash programming
Operating Frequency/Supply Voltage		64 MHz (high speed version)/VCC = 3.0 to 5.5 V 50 MHz (normal speed version)/VCC = 3.0 to 5.5 V
Operating Temperature		-20°C to 85°C (N version) -40°C to 85°C (D version) -40°C to 85°C (P version)
Current Consumption		45 mA (VCC = 5.0 V, f(CPU) = 64 MHz) 35 mA (VCC = 5.0 V, f(CPU) = 50 MHz) 8 μA (VCC = 3.3 V, f(XCIN) = 32.768 kHz, in wait mode)
Package		100-pin plastic molded LQFP (PLQP0100KB-A)

Note:

- Contact a Renesas Electronics sales office to use the optional features.

1.2 Product Information

Tables 1.5 and 1.6 list the product information and Figure 1.1 shows the details of the part number.

Table 1.5 R32C/116 Group Product List for Normal Speed Version (1/2) As of February, 2013

Part Number	Package Code (1)	ROM Capacity (2)	RAM Capacity	Remarks
R5F64165NFD (P)	PLQP0144KA-A	384 Kbytes + 8 Kbytes	40 Kbytes	-20°C to 85°C (N version)
R5F64165DFD				-40°C to 85°C (D version)
R5F64165PFD				-40°C to 85°C (P version)
R5F64165NFB (P)	PLQP0100KB-A			-20°C to 85°C (N version)
R5F64165DFB				-40°C to 85°C (D version)
R5F64165PFB				-40°C to 85°C (P version)
R5F64166NFD (P)	PLQP0144KA-A	512 Kbytes + 8 Kbytes	40 Kbytes	-20°C to 85°C (N version)
R5F64166DFD				-40°C to 85°C (D version)
R5F64166PFD				-40°C to 85°C (P version)
R5F64166NFB (P)	PLQP0100KB-A			-20°C to 85°C (N version)
R5F64166DFB				-40°C to 85°C (D version)
R5F64166PFB				-40°C to 85°C (P version)
R5F64167NFD (P)	PLQP0144KA-A	640 Kbytes + 8 Kbytes	48 Kbytes	-20°C to 85°C (N version)
R5F64167DFD				-40°C to 85°C (D version)
R5F64167PFD				-40°C to 85°C (P version)
R5F64167NFB (P)	PLQP0100KB-A			-20°C to 85°C (N version)
R5F64167DFB				-40°C to 85°C (D version)
R5F64167PFB				-40°C to 85°C (P version)
R5F64168NFD (P)	PLQP0144KA-A	768 Kbytes + 8 Kbytes	63 Kbytes	-20°C to 85°C (N version)
R5F64168DFD				-40°C to 85°C (D version)
R5F64168PFD				-40°C to 85°C (P version)
R5F64168NFB (P)	PLQP0100KB-A			-20°C to 85°C (N version)
R5F64168DFB				-40°C to 85°C (D version)
R5F64168PFB				-40°C to 85°C (P version)
R5F64169NFD (P)	PLQP0144KA-A	1 Mbyte + 8 Kbytes	63 Kbytes	-20°C to 85°C (N version)
R5F64169DFD				-40°C to 85°C (D version)
R5F64169PFD				-40°C to 85°C (P version)
R5F64169NFB (P)	PLQP0100KB-A			-20°C to 85°C (N version)
R5F64169DFB				-40°C to 85°C (D version)
R5F64169PFB				-40°C to 85°C (P version)

(P): On planning phase

Notes:

- The old package codes are as follows:
PLQP0100KB-A: 100P6Q-A; PLQP0144KA-A: 144P6Q-A
- "8 Kbytes" in the ROM capacity indicates the data flash memory capacity.

Table 1.6 R32C/116 Group Product List for High Speed Version (2/2) As of February, 2013

Part Number	Package Code (1)	ROM Capacity (2)	RAM Capacity	Remarks
R5F64165HNFD (P)	PLQP0144KA-A	384 Kbytes + 8 Kbytes	40 Kbytes	-20°C to 85°C (N version)
R5F64165HDFD				-40°C to 85°C (D version)
R5F64165HPFD				-40°C to 85°C (P version)
R5F64165HNFB (P)	PLQP0100KB-A			-20°C to 85°C (N version)
R5F64165HDFB				-40°C to 85°C (D version)
R5F64165HPFB				-40°C to 85°C (P version)
R5F64166HNFD (P)	PLQP0144KA-A	512 Kbytes + 8 Kbytes	40 Kbytes	-20°C to 85°C (N version)
R5F64166HDFD				-40°C to 85°C (D version)
R5F64166HPFD				-40°C to 85°C (P version)
R5F64166HNFB (P)	PLQP0100KB-A			-20°C to 85°C (N version)
R5F64166HDFB				-40°C to 85°C (D version)
R5F64166HPFB				-40°C to 85°C (P version)
R5F64167HNFD (P)	PLQP0144KA-A	640 Kbytes + 8 Kbytes	48 Kbytes	-20°C to 85°C (N version)
R5F64167HDFD				-40°C to 85°C (D version)
R5F64167HPFD				-40°C to 85°C (P version)
R5F64167HNFB (P)	PLQP0100KB-A			-20°C to 85°C (N version)
R5F64167HDFB				-40°C to 85°C (D version)
R5F64167HPFB				-40°C to 85°C (P version)
R5F64168HNFD (P)	PLQP0144KA-A	768 Kbytes + 8 Kbytes	63 Kbytes	-20°C to 85°C (N version)
R5F64168HDFD				-40°C to 85°C (D version)
R5F64168HPFD				-40°C to 85°C (P version)
R5F64168HNFB (P)	PLQP0100KB-A			-20°C to 85°C (N version)
R5F64168HDFB				-40°C to 85°C (D version)
R5F64168HPFB				-40°C to 85°C (P version)
R5F64169HNFD (P)	PLQP0144KA-A	1 Mbyte + 8 Kbytes	63 Kbytes	-20°C to 85°C (N version)
R5F64169HDFD				-40°C to 85°C (D version)
R5F64169HPFD				-40°C to 85°C (P version)
R5F64169HNFB (P)	PLQP0100KB-A			-20°C to 85°C (N version)
R5F64169HDFB				-40°C to 85°C (D version)
R5F64169HPFB				-40°C to 85°C (P version)

(P): On planning phase

Notes:

- The old package codes are as follows:
PLQP0100KB-A: 100P6Q-A; PLQP0144KA-A: 144P6Q-A
- "8 Kbytes" in the ROM capacity indicates the data flash memory capacity.

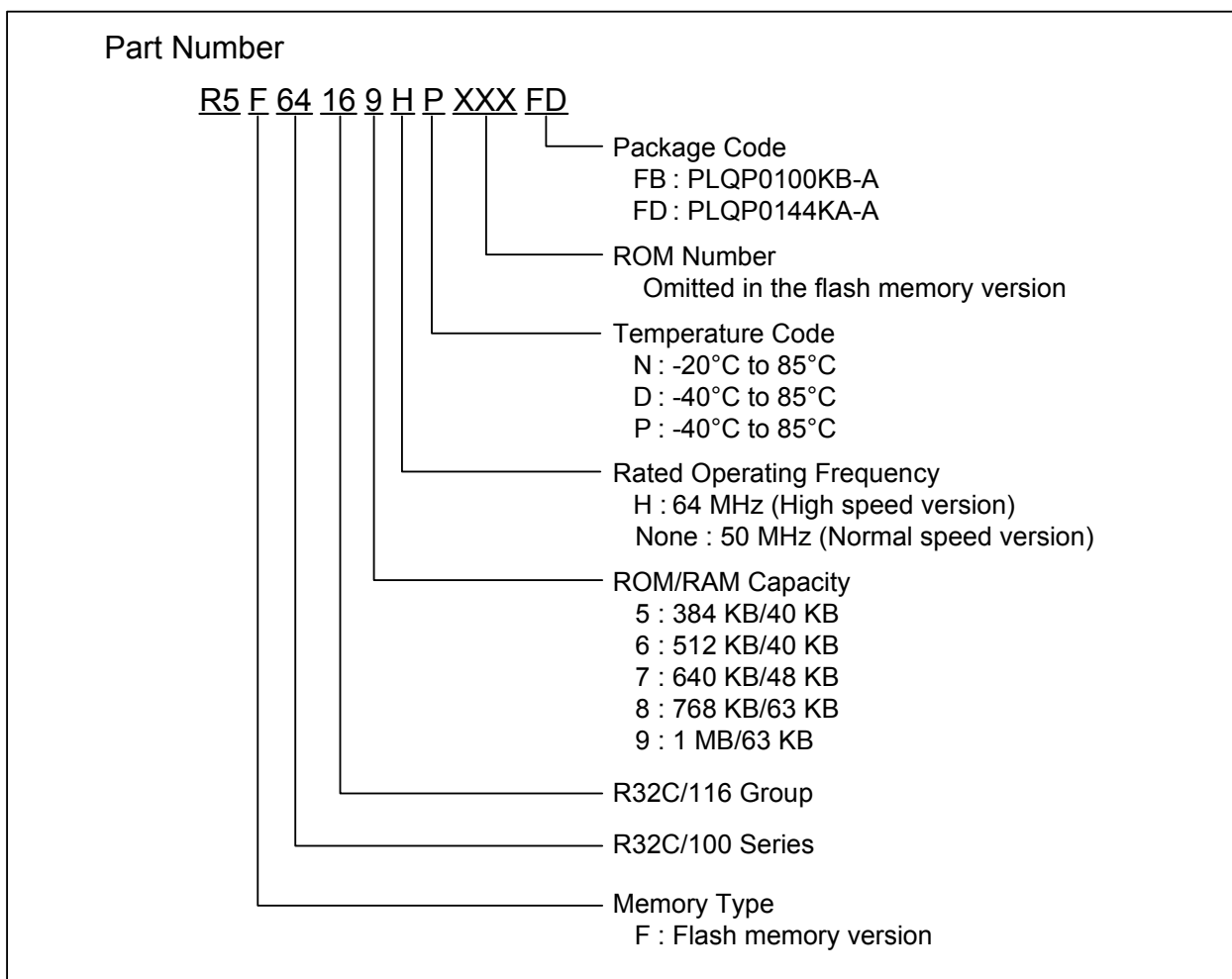


Figure 1.1 Part Numbering

1.3 Block Diagram

Figure 1.2 shows the block diagram for the R32C/116 Group.

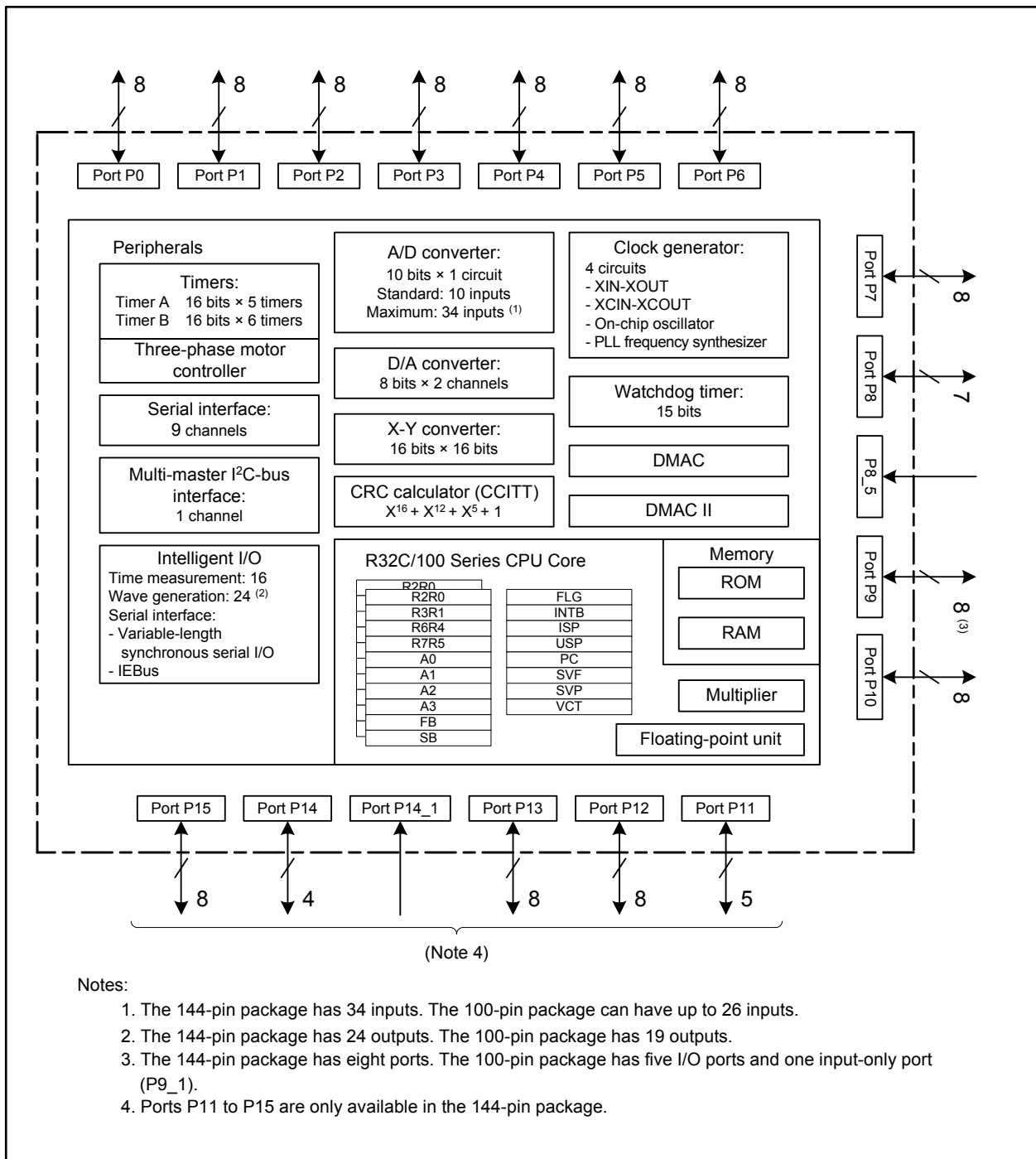


Figure 1.2 R32C/116 Group Block Diagram

1.4 Pin Assignments

Figures 1.3 and 1.4 show the pin assignments (top view) and Tables 1.7 to 1.13 list the pin characteristics.

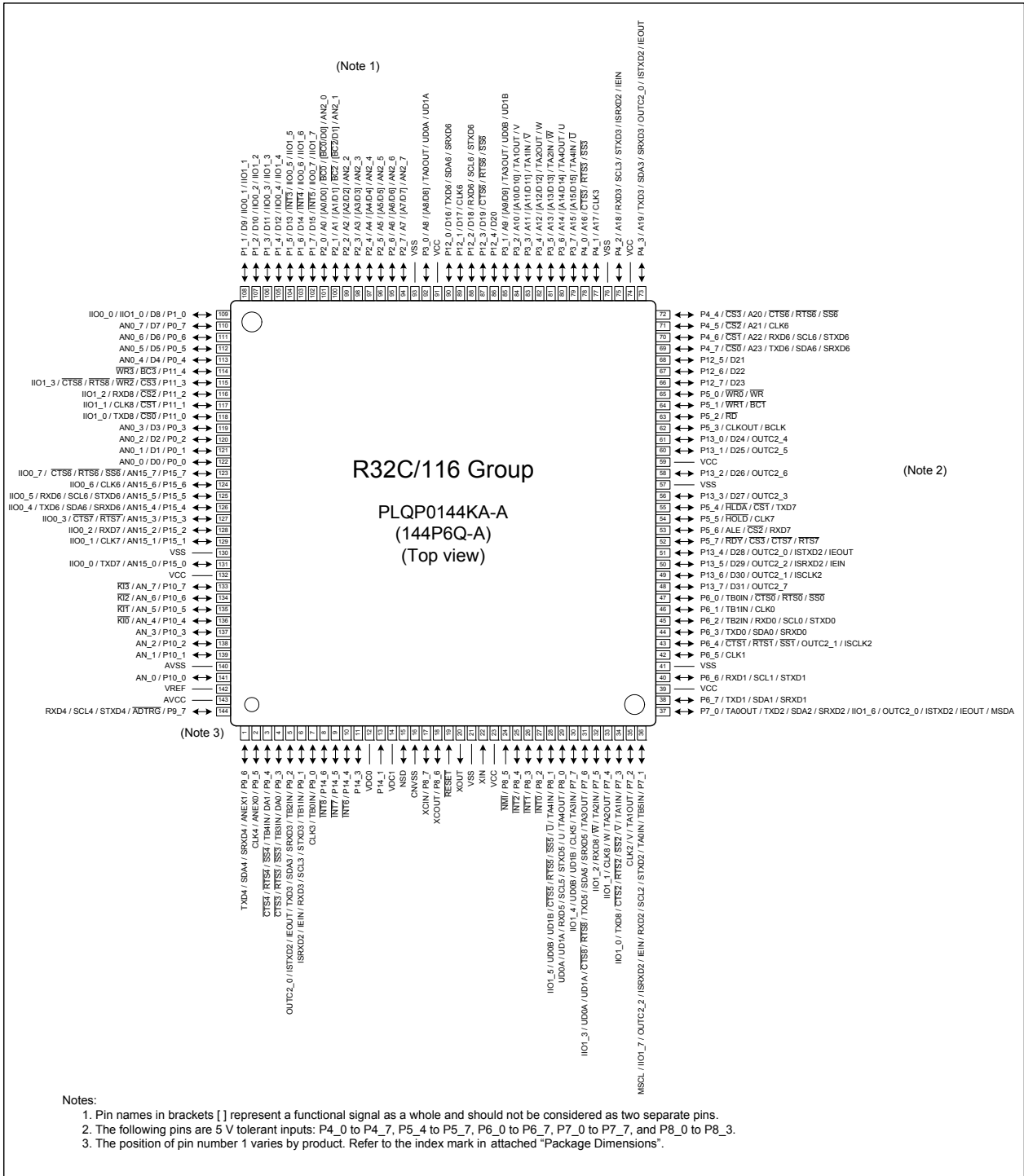


Figure 1.3 Pin Assignment for the 144-pin Package (top view)

Table 1.7 Pin Characteristics for the 144-pin Package (1/4)

Pin No.	Control Pin	Port	Interrupt Pin	Timer Pin	UART Pin	Intelligent I/O Pin	Analog Pin	Bus Control Pin
1		P9_6			TXD4/SDA4/SRXD4		ANEX1	
2		P9_5			CLK4		ANEX0	
3		P9_4		TB4IN	CTS4/RTS4/SS4		DA1	
4		P9_3		TB3IN	CTS3/RTS3/SS3		DA0	
5		P9_2		TB2IN	TXD3/SDA3/SRXD3	OUTC2_0/ISTXD2/IEOUT		
6		P9_1		TB1IN	RXD3/SCL3/STXD3	ISRXD2/IEIN		
7		P9_0		TB0IN	CLK3			
8		P14_6	$\overline{\text{INT8}}$					
9		P14_5	$\overline{\text{INT7}}$					
10		P14_4	$\overline{\text{INT6}}$					
11		P14_3						
12	VDC0							
13		P14_1						
14	VDC1							
15	NSD							
16	CNVSS							
17	XCIN	P8_7						
18	XCOU	P8_6						
19	$\overline{\text{RESET}}$							
20	XOUT							
21	VSS							
22	XIN							
23	VCC							
24		P8_5	$\overline{\text{NMI}}$					
25		P8_4	$\overline{\text{INT2}}$					
26		P8_3	$\overline{\text{INT1}}$					
27		P8_2	$\overline{\text{INT0}}$					
28		P8_1		TA4IN/ $\overline{\text{U}}$	CTS5/RTS5/SS5	IIO1_5/UD0B/UD1B		
29		P8_0		TA4OUT/ $\overline{\text{U}}$	RXD5/SCL5/STXD5	UD0A/UD1A		
30		P7_7		TA3IN	CLK5	IIO1_4/UD0B/UD1B		
31		P7_6		TA3OUT	TXD5/SDA5/SRXD5/CTS8/RTS8	IIO1_3/UD0A/UD1A		
32		P7_5		TA2IN/ $\overline{\text{W}}$	RXD8	IIO1_2		
33		P7_4		TA2OUT/ $\overline{\text{W}}$	CLK8	IIO1_1		
34		P7_3		TA1IN/ $\overline{\text{V}}$	CTS2/RTS2/SS2/TXD8	IIO1_0		
35		P7_2		TA1OUT/ $\overline{\text{V}}$	CLK2			
36		P7_1		TA0IN/ $\overline{\text{TB5IN}}$	RXD2/SCL2/STXD2/MSCL	IIO1_7/OUTC2_2/ISRXD2/IEIN		

Table 1.8 Pin Characteristics for the 144-pin Package (2/4)

Pin No.	Control Pin	Port	Interrupt Pin	Timer Pin	UART Pin	Intelligent I/O Pin	Analog Pin	Bus Control Pin
37		P7_0		TA0OUT	TXD2/SDA2/SRXD2/ MSDA	IIO1_6/OUTC2_0/ ISTXD2/IEOUT		
38		P6_7			TXD1/SDA1/SRXD1			
39	VCC							
40		P6_6			RXD1/SCL1/STXD1			
41	VSS							
42		P6_5			CLK1			
43		P6_4			CTS1/RTS1/SS1	OUTC2_1/ISCLK2		
44		P6_3			TXD0/SDA0/SRXD0			
45		P6_2		TB2IN	RXD0/SCL0/STXD0			
46		P6_1		TB1IN	CLK0			
47		P6_0		TB0IN	CTS0/RTS0/SS0			
48		P13_7				OUTC2_7		D31
49		P13_6				OUTC2_1/ISCLK2		D30
50		P13_5				OUTC2_2/ISRXD2/ IEIN		D29
51		P13_4				OUTC2_0/ISTXD2/ IEOUT		D28
52		P5_7			CTS7/RTS7			RDY/CS3
53		P5_6			RXD7			ALE/CS2
54		P5_5			CLK7			HOLD
55		P5_4			TXD7			HLDA/CS1
56		P13_3				OUTC2_3		D27
57	VSS							
58		P13_2				OUTC2_6		D26
59	VCC							
60		P13_1				OUTC2_5		D25
61		P13_0				OUTC2_4		D24
62		P5_3						CLKOUT/ BCLK
63		P5_2						RD
64		P5_1						WR1/BC1
65		P5_0						WR0/WR
66		P12_7						D23
67		P12_6						D22
68		P12_5						D21
69		P4_7			TXD6/SDA6/SRXD6			CS0/A23
70		P4_6			RXD6/SCL6/STXD6			CS1/A22
71		P4_5			CLK6			CS2/A21
72		P4_4			CTS6/RTS6/SS6			CS3/A20
73		P4_3			TXD3/SDA3/SRXD3	OUTC2_0/ISTXD2/ IEOUT		A19
74	VCC							

Table 1.9 Pin Characteristics for the 144-pin Package (3/4)

Pin No.	Control Pin	Port	Interrupt Pin	Timer Pin	UART Pin	Intelligent I/O Pin	Analog Pin	Bus Control Pin
75		P4_2			RXD3/SCL3/STXD3	ISRXD2/IEIN		A18
76	VSS							
77		P4_1			CLK3			A17
78		P4_0			CTS3/RTS3/SS3			A16
79		P3_7		TA4IN/U				A15/(D15)
80		P3_6		TA4OUT/U				A14/(D14)
81		P3_5		TA2IN/W				A13/(D13)
82		P3_4		TA2OUT/W				A12/(D12)
83		P3_3		TA1IN/V				A11/(D11)
84		P3_2		TA1OUT/V				A10/(D10)
85		P3_1		TA3OUT		UD0B/UD1B		A9/(D9)
86		P12_4						D20
87		P12_3			CTS6/RTS6/SS6			D19
88		P12_2			RXD6/SCL6/STXD6			D18
89		P12_1			CLK6			D17
90		P12_0			TXD6/SDA6/SRXD6			D16
91	VCC							
92		P3_0		TA0OUT		UD0A/UD1A		A8/(D8)
93	VSS							
94		P2_7					AN2_7	A7/(D7)
95		P2_6					AN2_6	A6/(D6)
96		P2_5					AN2_5	A5/(D5)
97		P2_4					AN2_4	A4/(D4)
98		P2_3					AN2_3	A3/(D3)
99		P2_2					AN2_2	A2/(D2)
100		P2_1					AN2_1	A1/(D1)/ BC2/(D1)
101		P2_0					AN2_0	A0/(D0)/ BC0/(D0)
102		P1_7	INT5			IIO0_7/IIO1_7		D15
103		P1_6	INT4			IIO0_6/IIO1_6		D14
104		P1_5	INT3			IIO0_5/IIO1_5		D13
105		P1_4				IIO0_4/IIO1_4		D12
106		P1_3				IIO0_3/IIO1_3		D11
107		P1_2				IIO0_2/IIO1_2		D10
108		P1_1				IIO0_1/IIO1_1		D9
109		P1_0				IIO0_0/IIO1_0		D8
110		P0_7					AN0_7	D7
111		P0_6					AN0_6	D6
112		P0_5					AN0_5	D5
113		P0_4					AN0_4	D4
114		P11_4						BC3/WR3

Table 1.10 Pin Characteristics for the 144-pin Package (4/4)

Pin No.	Control Pin	Port	Interrupt Pin	Timer Pin	UART Pin	Intelligent I/O Pin	Analog Pin	Bus Control Pin
115		P11_3			CTS8/RTS8	IIO1_3		CS3/WR2
116		P11_2			RXD8	IIO1_2		CS2
117		P11_1			CLK8	IIO1_1		CS1
118		P11_0			TXD8	IIO1_0		CS0
119		P0_3					AN0_3	D3
120		P0_2					AN0_2	D2
121		P0_1					AN0_1	D1
122		P0_0					AN0_0	D0
123		P15_7			CTS6/RTS6/SS6	IIO0_7	AN15_7	
124		P15_6			CLK6	IIO0_6	AN15_6	
125		P15_5			RXD6/SCL6/STXD6	IIO0_5	AN15_5	
126		P15_4			TXD6/SDA6/SRXD6	IIO0_4	AN15_4	
127		P15_3			CTS7/RTS7	IIO0_3	AN15_3	
128		P15_2			RXD7	IIO0_2	AN15_2	
129		P15_1			CLK7	IIO0_1	AN15_1	
130	VSS							
131		P15_0			TXD7	IIO0_0	AN15_0	
132	VCC							
133		P10_7	KI3				AN_7	
134		P10_6	KI2				AN_6	
135		P10_5	KI1				AN_5	
136		P10_4	KI0				AN_4	
137		P10_3					AN_3	
138		P10_2					AN_2	
139		P10_1					AN_1	
140	AVSS							
141		P10_0					AN_0	
142	VREF							
143	AVCC							
144		P9_7			RXD4/SCL4/STXD4			ADTRG

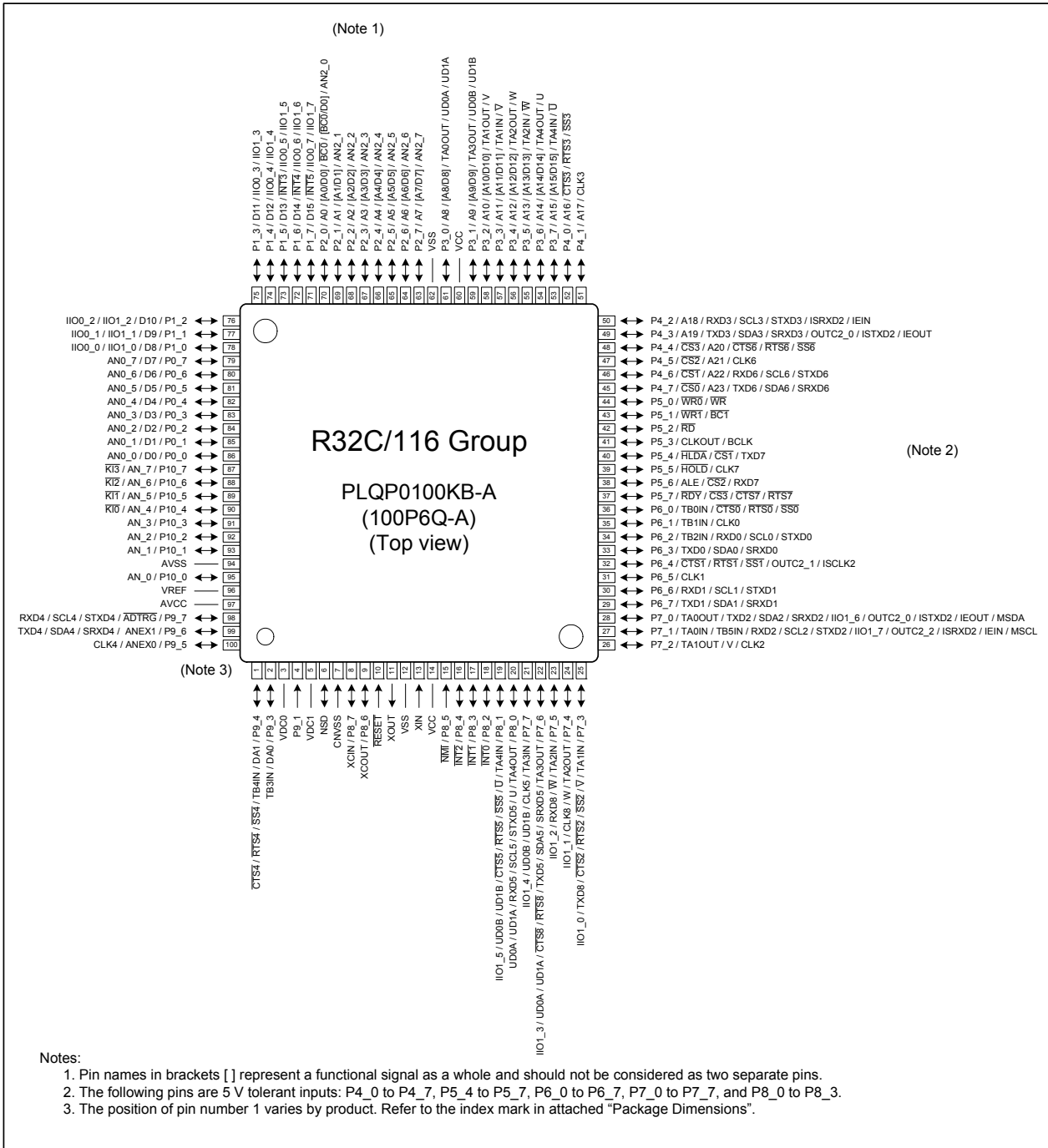


Figure 1.4 Pin Assignment for the 100-pin Package (top view)

Table 1.11 Pin Characteristics for the 100-pin Package (1/3)

Pin No.	Control Pin	Port	Interrupt Pin	Timer Pin	UART Pin	Intelligent I/O Pin	Analog Pin	Bus Control Pin
1		P9_4		TB4IN	CTS4/RTS4/SS4		DA1	
2		P9_3		TB3IN			DA0	
3	VDC0							
4		P9_1						
5	VDC1							
6	NSD							
7	CNVSS							
8	XCIN	P8_7						
9	XCOU	P8_6						
10	RESET							
11	XOUT							
12	VSS							
13	XIN							
14	VCC							
15		P8_5	NMI					
16		P8_4	INT2					
17		P8_3	INT1					
18		P8_2	INT0					
19		P8_1		TA4IN/U	CTS5/RTS5/SS5	IIO1_5/UD0B/UD1B		
20		P8_0		TA4OUT/U	RXD5/SCL5/STXD5	UD0A/UD1A		
21		P7_7		TA3IN	CLK5	IIO1_4/UD0B/UD1B		
22		P7_6		TA3OUT	TXD5/SDA5/SRXD5/ CTS8/RTS8	IIO1_3/UD0A/UD1A		
23		P7_5		TA2IN/W	RXD8	IIO1_2		
24		P7_4		TA2OUT/W	CLK8	IIO1_1		
25		P7_3		TA1IN/V	CTS2/RTS2/SS2/TXD8	IIO1_0		
26		P7_2		TA1OUT/V	CLK2			
27		P7_1		TA0IN/ TB5IN	RXD2/SCL2/STXD2/ MSCL	IIO1_7/OUTC2_2/ ISRXD2/IEIN		
28		P7_0		TA0OUT	TXD2/SDA2/SRXD2/ MSDA	IIO1_6/OUTC2_0/ ISTXD2/IEOUT		
29		P6_7			TXD1/SDA1/SRXD1			
30		P6_6			RXD1/SCL1/STXD1			
31		P6_5			CLK1			
32		P6_4			CTS1/RTS1/SS1	OUTC2_1/ISCLK2		
33		P6_3			TXD0/SDA0/SRXD0			
34		P6_2		TB2IN	RXD0/SCL0/STXD0			
35		P6_1		TB1IN	CLK0			
36		P6_0		TB0IN	CTS0/RTS0/SS0			
37		P5_7			CTS7/RTS7			RDY/CS3
38		P5_6			RXD7			ALE/CS2

Table 1.12 Pin Characteristics for the 100-pin Package (2/3)

Pin No.	Control Pin	Port	Interrupt Pin	Timer Pin	UART Pin	Intelligent I/O Pin	Analog Pin	Bus Control Pin
39		P5_5			CLK7			HOLD
40		P5_4			TXD7			HLDA/CS1
41		P5_3						CLKOUT/ BCLK
42		P5_2						RD
43		P5_1						WR1/BC1
44		P5_0						WR0/WR
45		P4_7			TXD6/SDA6/SRXD6			CS0/A23
46		P4_6			RXD6/SCL6/STXD6			CS1/A22
47		P4_5			CLK6			CS2/A21
48		P4_4			CTS6/RTS6/SS6			CS3/A20
49		P4_3			TXD3/SDA3/SRXD3	OUTC2_0/ISTXD2/ IEOUT		A19
50		P4_2			RXD3/SCL3/STXD3	ISRXD2/IEIN		A18
51		P4_1			CLK3			A17
52		P4_0			CTS3/RTS3/SS3			A16
53		P3_7		TA4IN/U				A15/(D15)
54		P3_6		TA4OUT/U				A14/(D14)
55		P3_5		TA2IN/W				A13/(D13)
56		P3_4		TA2OUT/W				A12/(D12)
57		P3_3		TA1IN/V				A11/(D11)
58		P3_2		TA1OUT/V				A10/(D10)
59		P3_1		TA3OUT		UD0B/UD1B		A9/(D9)
60	VCC							
61		P3_0		TA0OUT		UD0A/UD1A		A8/(D8)
62	VSS							
63		P2_7					AN2_7	A7/(D7)
64		P2_6					AN2_6	A6/(D6)
65		P2_5					AN2_5	A5/(D5)
66		P2_4					AN2_4	A4/(D4)
67		P2_3					AN2_3	A3/(D3)
68		P2_2					AN2_2	A2/(D2)
69		P2_1					AN2_1	A1/(D1)
70		P2_0					AN2_0	A0/(D0)/ BC0/(D0)
71		P1_7	INT5			IIO0_7/IIO1_7		D15
72		P1_6	INT4			IIO0_6/IIO1_6		D14
73		P1_5	INT3			IIO0_5/IIO1_5		D13
74		P1_4				IIO0_4/IIO1_4		D12
75		P1_3				IIO0_3/IIO1_3		D11

Table 1.13 Pin Characteristics for the 100-pin Package (3/3)

Pin No.	Control Pin	Port	Interrupt Pin	Timer Pin	UART Pin	Intelligent I/O Pin	Analog Pin	Bus Control Pin
76		P1_2				IIO0_2/IIO1_2		D10
77		P1_1				IIO0_1/IIO1_1		D9
78		P1_0				IIO0_0/IIO1_0		D8
79		P0_7					AN0_7	D7
80		P0_6					AN0_6	D6
81		P0_5					AN0_5	D5
82		P0_4					AN0_4	D4
83		P0_3					AN0_3	D3
84		P0_2					AN0_2	D2
85		P0_1					AN0_1	D1
86		P0_0					AN0_0	D0
87		P10_7	KI3				AN_7	
88		P10_6	KI2				AN_6	
89		P10_5	KI1				AN_5	
90		P10_4	KI0				AN_4	
91		P10_3					AN_3	
92		P10_2					AN_2	
93		P10_1					AN_1	
94	AVSS							
95		P10_0					AN_0	
96	VREF							
97	AVCC							
98		P9_7			RXD4/SCL4/STXD4		ADTRG	
99		P9_6			TXD4/SDA4/SRXD4		ANEX1	
100		P9_5			CLK4		ANEX0	

1.5 Pin Definitions and Functions

Tables 1.14 to 1.18 list the pin definitions and functions.

Table 1.14 Pin Definitions and Functions (1/4)

Function	Symbol	I/O	Description
Power supply	VCC, VSS	I	Applicable as follows: VCC = 3.0 to 5.5 V, VSS = 0 V
Connecting pins for decoupling capacitor	VDC0, VDC1	—	A decoupling capacitor for internal voltage should be connected between VDC0 and VDC1
Analog power supply	AVCC, AVSS	I	Power supply for the A/D converter. AVCC and AVSS should be connected to VCC and VSS, respectively
Reset input	$\overline{\text{RESET}}$	I	The MCU is reset when this pin is driven low
CNVSS	CNVSS	I	This pin should be connected to VSS via a resistor
Debug port	NSD	I/O	This pin is to communicate with a debugger. It should be connected to VCC via a resistor of 1 to 4.7 k Ω
Main clock input	XIN	I	Input/output for the main clock oscillator. A crystal, or a ceramic resonator should be connected between pins XIN and XOUT. An external clock should be input at the XIN while leaving the XOUT open
Main clock output	XOUT	O	
Sub clock input	XCIN	I	Input/output for the sub clock oscillator. A crystal oscillator should be connected between pins XCIN and XCOU. An external clock should be input at the XCIN while leaving the XCOU open
Sub clock output	XCOU	O	
BCLK output	BCLK	O	BCLK output
Clock output	CLKOUT	O	Output of the clock with the same frequency as low speed clocks, f8, or f32
External interrupt input	$\overline{\text{INT0}}$ to $\overline{\text{INT8}}$ (1)	I	Input for external interrupts
NMI input	P8_5/ $\overline{\text{NMI}}$	I	Input for NMI
Key input interrupt	$\overline{\text{KI0}}$ to $\overline{\text{KI3}}$	I	Input for the key input interrupt
Bus control pins	D0 to D7	I/O	Input/output of data (D0 to D7) while accessing an external memory space with a separate bus
	D8 to D15	I/O	Input/output of data (D8 to D15) while accessing an external memory space with 16-bit or 32-bit separate bus
	D16 to D31 (2)	I/O	Input/output of data (D16 to D31) while accessing an external memory space with 32-bit separate bus
	A0 to A23	O	Output of address bits A0 to A23
	A0/D0 to A7/D7	I/O	Output of address bits (A0 to A7) and input/output of data (D0 to D7) by time-division while accessing an external memory space with multiplexed bus
	A8/D8 to A15/D15	I/O	Output of address bits (A8 to A15) and input/output of data (D8 to D15) by time-division while accessing an external memory space with 16-bit or 32-bit multiplexed bus

Notes:

1. Pins $\overline{\text{INT6}}$ to $\overline{\text{INT8}}$ are available in the 144-pin package only.
2. Pins D16 to D31 are available in the 144-pin package only.

Table 1.15 Pin Definitions and Functions (2/4)

Function	Symbol	I/O	Description
Bus control pins	$\overline{BC0}/D0, \overline{BC2}/D1$ (1)	I/O	Output of byte control ($\overline{BC0}$ and $\overline{BC2}$) and input/output of data (D0 and D1) by time-division while accessing an external memory space with multiplexed bus
	$\overline{CS0}$ to $\overline{CS3}$	O	Chip select output
	$\overline{WR0}/\overline{WR1}/\overline{WR2}/\overline{WR3},$ $\overline{WR}/\overline{BC0}/\overline{BC1}/\overline{BC2}/\overline{BC3},$ \overline{RD} (1)	O	Output of write, byte control, and read signals. Either \overline{WRx} or \overline{WR} and \overline{BCx} can be selected by a program. Data is read when \overline{RD} is low. <ul style="list-style-type: none"> • When $\overline{WR0}, \overline{WR1}, \overline{WR2}, \overline{WR3},$ and \overline{RD} are selected, data is written to the following address: $4n+0$, when $\overline{WR0}$ is low $4n+1$, when $\overline{WR1}$ is low $4n+2$, when $\overline{WR2}$ is low $4n+3$, when $\overline{WR3}$ is low on 32-bit external data bus or an even address, when $\overline{WR0}$ is low an odd address, when $\overline{WR1}$ is low on 16-bit external data bus • When $\overline{WR}, \overline{BC0}, \overline{BC1}, \overline{BC2}, \overline{BC3},$ and \overline{RD} are selected, data is written, when \overline{WR} is low and the following address is accessed: $4n+0$, when $\overline{BC0}$ is low $4n+1$, when $\overline{BC1}$ is low $4n+2$, when $\overline{BC2}$ is low $4n+3$, when $\overline{BC3}$ is low on 32-bit external data bus or an even address, when $\overline{BC0}$ is low an odd address, when $\overline{BC1}$ is low on 16-bit external data bus
	ALE	O	Latch enable signal in multiplexed bus format
	\overline{HOLD}	I	The MCU is in a hold state while this pin is held low
\overline{HLDA}	O	This pin is driven low while the MCU is held in a hold state	
\overline{RDY}	I	Bus cycle is extended by the CPU if this pin is low on the falling edge of BCLK	

Note:

1. Pins $\overline{BC2}/D1, \overline{WR2}, \overline{WR3}, \overline{BC2},$ and $\overline{BC3}$ are available in the 144-pin package only.

Table 1.16 Pin Definitions and Functions (3/4)

Function	Symbol	I/O	Description
I/O port (1, 2)	P0_0 to P0_7, P1_0 to P1_7, P2_0 to P2_7, P3_0 to P3_7, P4_0 to P4_7, P5_0 to P5_7, P6_0 to P6_7, P7_0 to P7_7, P8_0 to P8_4, P8_6, P8_7, P9_0 to P9_7, P10_0 to P10_7, P11_0 to P11_4, P12_0 to P12_7, P13_0 to P13_7, P14_3 to P14_6, P15_0 to P15_7	I/O	I/O ports in CMOS. Each port can be programmed to input or output under the control of the direction register. Some ports are 5 V tolerant inputs. Pull-up resistors and N-channel open drain setting can be enabled on some ports. Refer to Table 1.18 "Pin Specifications" for details
Input port (2)	P9_1 (for 100-pin package) P14_1 (for 144-pin package)	I	Input port in CMOS Pull-up resistor is selectable. Refer to Table 1.18 "Pin Specifications" for details
Timer A	TA0OUT to TA4OUT	I/O	Timers A0 to A4 input/output
	TA0IN to TA4IN	I	Timers A0 to A4 input
Timer B	TB0IN to TB5IN	I	Timers B0 to B5 input
Three-phase motor control timer output	U, \bar{U} , V, \bar{V} , W, \bar{W}	O	Three-phase motor control timer output
Serial interface	$\overline{\text{CTS0}}$ to $\overline{\text{CTS8}}$	I	Handshake input
	$\overline{\text{RTS0}}$ to $\overline{\text{RTS8}}$	O	Handshake output
	CLK0 to CLK8	I/O	Transmit/receive clock input/output
	RXD0 to RXD8	I	Serial data input
	TXD0 to TXD8	O	Serial data output
I ² C-bus (simplified)	SDA0 to SDA6	I/O	Serial data input/output
	SCL0 to SCL6	I/O	Transmit/receive clock input/output
Serial interface special functions	STXD0 to STXD6	O	Serial data output in slave mode
	SRXD0 to SRXD6	I	Serial data input in slave mode
	$\overline{\text{SS0}}$ to $\overline{\text{SS6}}$	I	Input to control serial interface special functions

Notes:

1. Port P9_1 in the 100-pin package is an input-only port.
2. Ports P9_0, P9_2, and P11 to P15 are available in the 144-pin package only.

Table 1.17 Pin Definitions and Functions (4/4)

Function	Symbol	I/O	Description
A/D converter	AN_0 to AN_7, AN0_0 to AN0_7, AN2_0 to AN2_7, AN15_0 to AN15_7 (1)	I	Analog input for the A/D converter
	ADTRG	I	External trigger input for the A/D converter
	ANEX0	I/O	Expanded analog input for the A/D converter and output in external op-amp connection mode
	ANEX1	I	Expanded analog input for the A/D converter
D/A converter	DA0, DA1	O	Output for the D/A converter
Reference voltage input	VREF	I	Reference voltage input for the A/D converter and D/A converter
Intelligent I/O	IIO0_0 to IIO0_7	I/O	Input/output for Intelligent I/O group 0. Either input capture or output compare is selectable
	IIO1_0 to IIO1_7	I/O	Input/output for Intelligent I/O group 1. Either input capture or output compare is selectable
	UD0A, UD0B, UD1A, UD1B	I	Input for the two-phase encoder
	OUTC2_0 to OUTC2_7 (2)	O	Output for OC (output compare) of Intelligent I/O group 2
	ISCLK2	I/O	Clock input/output for the serial interface
	ISRXD2	I	Receive data input for the serial interface
	ISTXD2	O	Transmit data output for the serial interface
	IEIN	I	Receive data input for the serial interface
	IEOUT	O	Transmit data output for the serial interface
Multi-master I ² C-bus	MSDA	I/O	Serial data input/output
	MSCL	I/O	Transmit/receive clock input/output

Notes:

1. Pins AN15_0 to AN15_7 are available in the 144-pin package only.
2. Pins OUTC2_3 to OUTC2_7 are available in the 144-pin package only.

Table 1.18 Pin Specifications

Pin Names	Package		Selectable Functions		5 V Tolerant Input ⁽³⁾
	144-pin	100-pin	Pull-up resistor ⁽¹⁾	N-channel open drain ⁽²⁾	
P0_0 to P0_7	✓	✓	✓		
P1_0 to P1_7	✓	✓	✓		
P2_0 to P2_7	✓	✓	✓		
P3_0 to P3_7	✓	✓	✓		
P4_0 to P4_7	✓	✓		✓	✓
P5_0 to P5_3	✓	✓	✓		
P5_4 to P5_7	✓	✓		✓	✓
P6_0 to P6_7	✓	✓		✓	✓
P7_0 to P7_7	✓	✓		✓	✓
P8_0 to P8_3	✓	✓		✓	✓
P8_4, P8_6, P8_7	✓	✓	✓		
P9_0 to P9_3 (144-pin)	✓		✓	✓	
P9_1, P9_3 (100-pin)		✓	✓		
P9_4 to P9_7	✓	✓	✓	✓	
P10_0 to P10_7	✓	✓	✓		
P11_0 to P11_3	✓		✓	✓	
P11_4	✓		✓		
P12_0 to P12_3	✓		✓	✓	
P12_4 to P12_7	✓		✓		
P13_0 to P13_7	✓		✓		
P14_1, P14_3	✓		✓		
P14_4 to P14_6	✓		✓		
P15_0 to P15_7	✓		✓	✓	

Notes:

1. Pull-up resistors are selected for the following 4-pin units: Pi_0 to Pi_3 and Pi_4 to Pi_7 (i = 0 to 15); however, they are enabled only for the input pins.
2. N-channel open drain output can be enabled on the applicable pins on a discrete pin basis.
3. 5 V tolerant input is enabled when an applicable pin is set as an input port. When it is set as an I/O port, to enable 5 V tolerant input, this pin should be set as N-channel open drain output.

2. Central Processing Unit (CPU)

The CPU contains the registers shown below. There are two register banks each consisting of registers R2R0, R3R1, R6R4, R7R5, A0 to A3, SB, and FB.

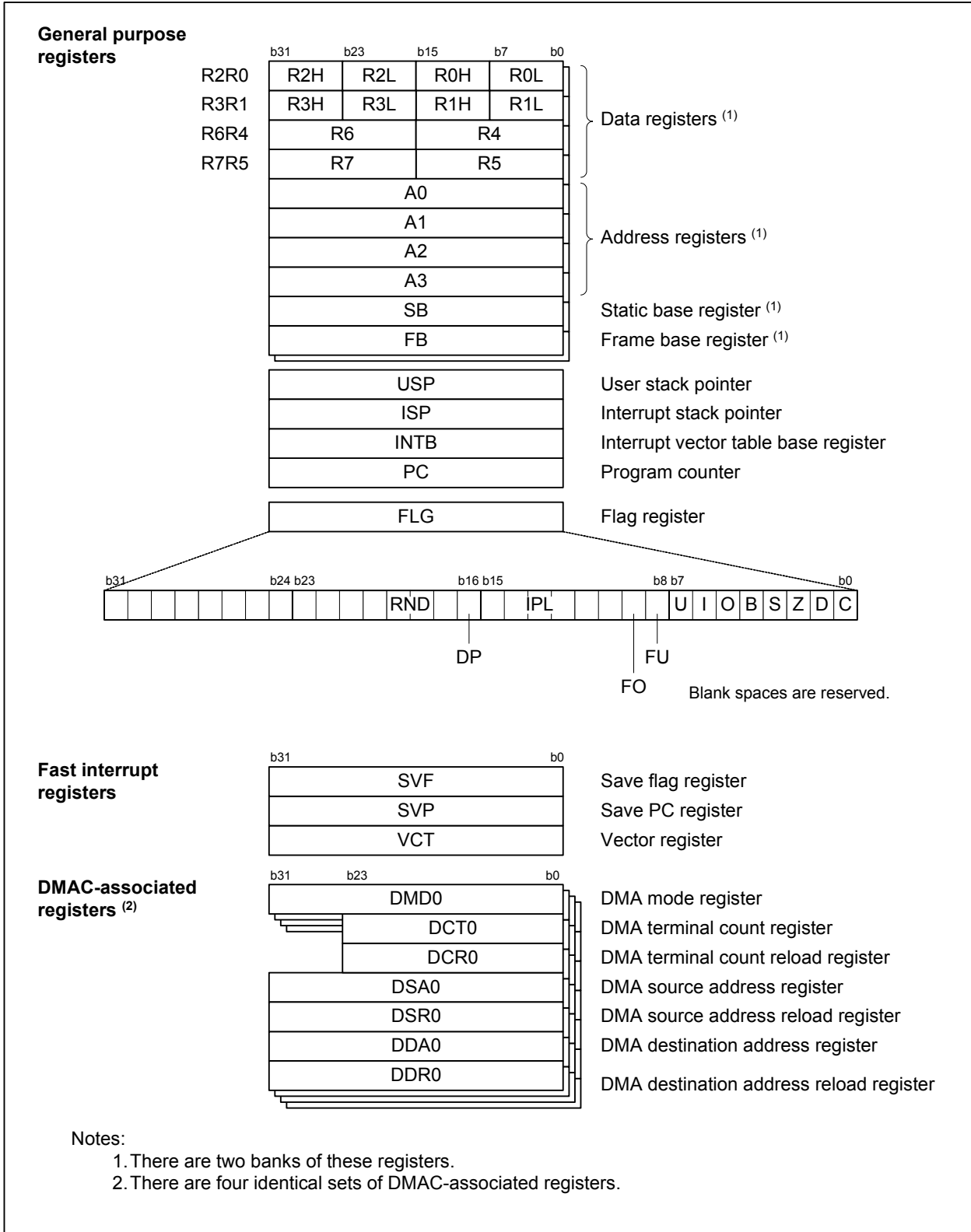


Figure 2.1 CPU Registers

2.1 General Purpose Registers

2.1.1 Data Registers (R2R0, R3R1, R6R4, and R7R5)

These 32-bit registers are primarily used for transfers and arithmetic/logic operations.

Each of the registers can be divided into upper and lower 16-bit registers, e.g. R2R0 can be divided into R2 and R0, R3R1 can be divided into R3 and R1, etc.

Moreover, data registers R2R0 and R3R1 can be divided into four 8-bit data registers: upper (R2H and R3H), mid-upper (R2L and R3L), mid-lower (R0H and R1H), and lower (R0L and R1L).

2.1.2 Address Registers (A0, A1, A2, and A3)

These 32-bit registers have functions similar to data registers. They are also used for address register indirect addressing and address register relative addressing.

2.1.3 Static Base Register (SB)

This 32-bit register is used for SB relative addressing.

2.1.4 Frame Base Register (FB)

This 32-bit register is used for FB relative addressing.

2.1.5 Program Counter (PC)

This 32-bit counter indicates the address of the instruction to be executed next.

2.1.6 Interrupt Vector Table Base Register (INTB)

This 32-bit register indicates the start address of a relocatable vector table.

2.1.7 User Stack Pointer (USP) and Interrupt Stack Pointer (ISP)

Two types of 32-bit stack pointers (SPs) are provided: user stack pointer (USP) and interrupt stack pointer (ISP).

Use the stack pointer select flag (U flag) to select either the user stack pointer (USP) or the interrupt stack pointer (ISP). The U flag is bit 7 in the flag register (FLG). Refer to 2.1.8 "Flag Register (FLG)" for details.

To minimize the overhead of interrupt sequence due to less memory access, set the user stack pointer (USP) or the interrupt stack pointer (ISP) to a multiple of 4.

2.1.8 Flag Register (FLG)

This 32-bit register indicates the CPU status.

2.1.8.1 Carry Flag (C flag)

This flag retains a carry, borrow, or shifted-out bit generated by the arithmetic logic unit (ALU).

2.1.8.2 Debug Flag (D flag)

This flag is only for debugging. Only set this bit to 0.

2.1.8.3 Zero Flag (Z flag)

This flag becomes 1 when the result of an operation is 0; otherwise it is 0.

2.1.8.4 Sign Flag (S flag)

This flag becomes 1 when the result of an operation is a negative value; otherwise it is 0.

2.1.8.5 Register Bank Select Flag (B flag)

This flag selects a register bank. It indicates 0 when register bank 0 is selected, and 1 when register bank 1 is selected.

2.1.8.6 Overflow Flag (O flag)

This flag becomes 1 when the result of an operation overflows; otherwise it is 0.

2.1.8.7 Interrupt Enable Flag (I flag)

This flag enables maskable interrupts. To disable maskable interrupts, set this flag to 0. To enable them, set this flag to 1. When an interrupt is accepted, the flag becomes 0.

2.1.8.8 Stack Pointer Select Flag (U flag)

To select the interrupt stack pointer (ISP), set this flag to 0. To select the user stack pointer (USP), set this flag to 1.

It becomes 0 when a hardware interrupt is accepted or when an INT instruction designated by a software interrupt number from 0 to 127 is executed.

2.1.8.9 Floating-point Underflow Flag (FU flag)

This flag becomes 1 when an underflow occurs in a floating-point operation; otherwise it is 0. It also becomes 1 when the operand contains invalid numbers (subnormal numbers).

2.1.8.10 Floating-point Overflow Flag (FO flag)

This flag becomes 1 when an overflow occurs in a floating-point operation; otherwise it is 0. It also becomes 1 when the operand contains invalid numbers (subnormal numbers).

2.1.8.11 Processor Interrupt Priority Level (IPL)

The processor interrupt priority level (IPL), consisting of 3 bits, selects a processor interrupt priority level from level 0 to 7. An interrupt is enabled when the interrupt request level is higher than the selected IPL.

When the processor interrupt priority level (IPL) is set to 111b (level 7), all interrupts are disabled.

2.1.8.12 Fixed-point Radix Point Designation Bit (DP bit)

This bit designates the radix point. It also specifies which portion of the fixed-point multiplication result to extract. It is used for the MULX instruction.

2.1.8.13 Floating-point Rounding Mode (RND)

The 2-bit floating-point rounding mode selects a rounding mode for floating-point calculation results.

2.1.8.14 Reserved

Only set this bit to 0. The read value is undefined.

2.2 Fast Interrupt Registers

The following three registers are provided to minimize the overhead of the interrupt sequence. Refer to 11.4 “Fast Interrupt” for details.

2.2.1 Save Flag Register (SVF)

This 32-bit register is used to save the flag register when a fast interrupt occurs.

2.2.2 Save PC Register (SVP)

This 32-bit register is used to save the program counter when a fast interrupt occurs.

2.2.3 Vector Register (VCT)

This 32-bit register is used to indicate a jump address when a fast interrupt occurs.

2.3 DMAC-associated Registers

There are seven types of DMAC-associated registers. Refer to 13. “DMAC” for details.

2.3.1 DMA Mode Registers (DMD0, DMD1, DMD2, and DMD3)

These 32-bit registers are used to set DMA transfer mode, bit rate, etc.

2.3.2 DMA Terminal Count Registers (DCT0, DCT1, DCT2, and DCT3)

These 24-bit registers are used to set the number of DMA transfers.

2.3.3 DMA Terminal Count Reload Registers (DCR0, DCR1, DCR2, and DCR3)

These 24-bit registers are used to set the reloaded values for DMA terminal count registers.

2.3.4 DMA Source Address Registers (DSA0, DSA1, DSA2, and DSA3)

These 32-bit registers are used to set DMA source addresses.

2.3.5 DMA Source Address Reload Registers (DSR0, DSR1, DSR2, and DSR3)

These 32-bit registers are used to set the reloaded values for DMA source address registers.

2.3.6 DMA Destination Address Registers (DDA0, DDA1, DDA2, and DDA3)

These 32-bit registers are used to set DMA destination addresses.

2.3.7 DMA Destination Address Reload Registers (DDR0, DDR1, DDR2, and DDR3)

These 32-bit registers are used to set reloaded values for DMA destination address registers.

3. Memory

Figure 3.1 shows the memory map of the R32C/116 Group.

The R32C/116 Group provides a 4-Gbyte address space from 00000000h to FFFFFFFFh.

The internal ROM is mapped from address FFFFFFFFh in the inferior direction. For example, the 1-Mbyte internal ROM is mapped from FFF00000h to FFFFFFFFh.

The fixed interrupt vector table contains the start address of interrupt handlers and is mapped from FFFFFFFDCh to FFFFFFFFh.

The internal RAM is mapped from address 00000400h in the superior direction. For example, the 63-Kbyte internal RAM is mapped from 00000400h to 0000FFFFh. Besides being used for data storage, the internal RAM functions as a stack(s) for subroutine calls and/or interrupt handlers.

Special function registers (SFRs), which are control registers for peripheral functions, are mapped from 00000000h to 000003FFh, and from 00040000h to 0004FFFFh. Unoccupied SFR locations are reserved, and no access is allowed.

In memory expansion mode or microprocessor mode, some spaces are reserved for internal use and should not be accessed.

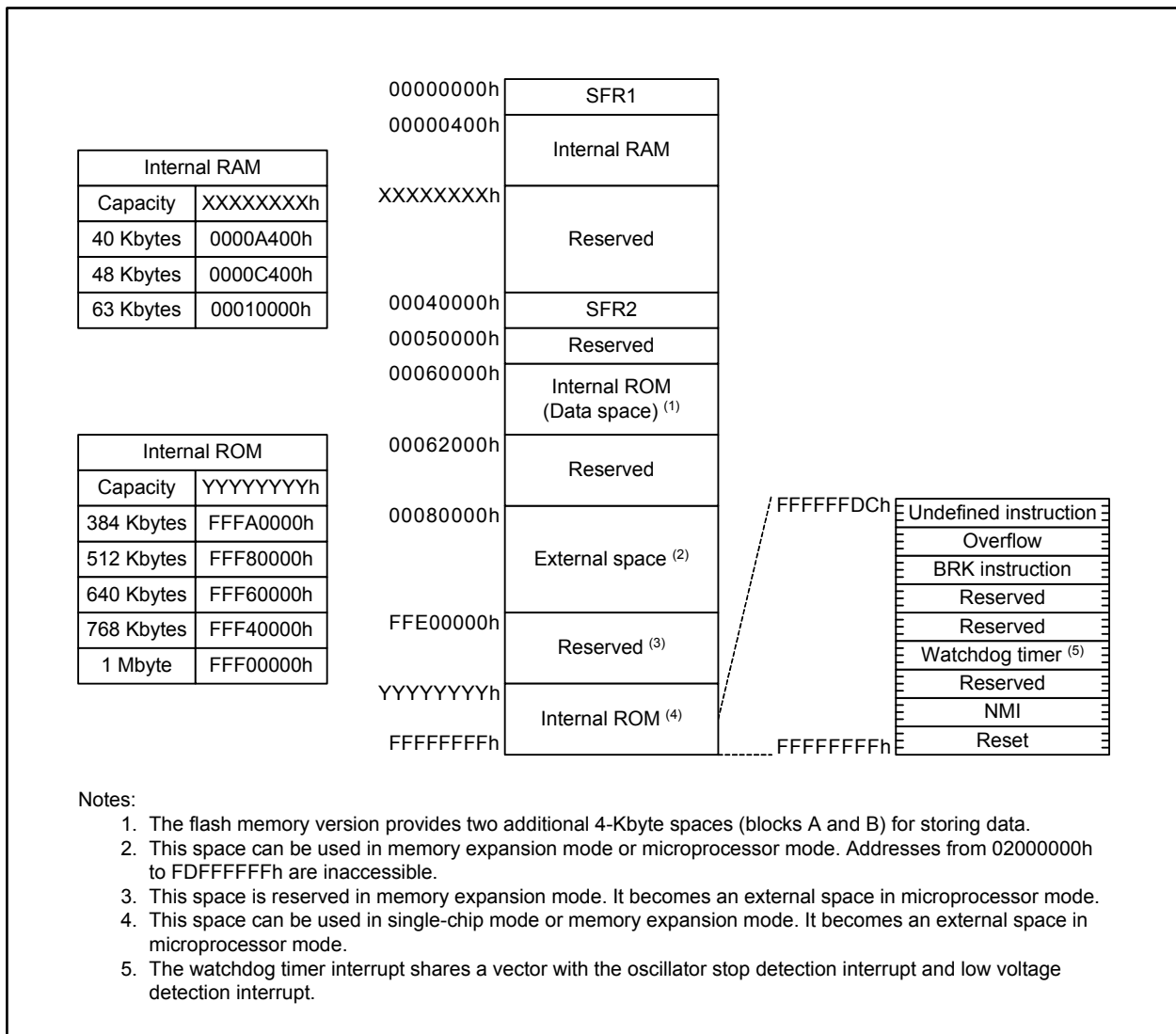


Figure 3.1 Memory Map

4. Special Function Registers (SFRs)

SFRs are memory-mapped peripheral registers that control the operation of peripherals. Table 4.1 SFR List (1) to Table 4.25 SFR List (25) list the SFR details.

Table 4.1 SFR List (1)

Address	Register	Symbol	Reset Value
000000h			
000001h			
000002h			
000003h			
000004h	Clock Control Register	CCR	0001 1000b
000005h			
000006h	Flash Memory Control Register	FMCR	0000 0001b
000007h	Protect Release Register	PRR	00h
000008h			
000009h			
00000Ah			
00000Bh			
00000Ch			
00000Dh			
00000Eh			
00000Fh			
000010h	External Bus Control Register 3/Flash Memory Rewrite Bus	EBC3/FEBC3	0000h
000011h	Control Register 3		
000012h	Chip Selects 2 and 3 Boundary Setting Register	CB23	00h
000013h			
000014h	External Bus Control Register 2	EBC2	0000h
000015h			
000016h	Chip Selects 1 and 2 Boundary Setting Register	CB12	00h
000017h			
000018h	External Bus Control Register 1	EBC1	0000h
000019h			
00001Ah	Chip Selects 0 and 1 Boundary Setting Register	CB01	00h
00001Bh			
00001Ch	External Bus Control Register 0/Flash Memory Rewrite Bus	EBC0/FEBC0	0000h
00001Dh	Control Register 0		
00001Eh	Peripheral Bus Control Register	PBC	0504h
00001Fh			
000020h to 00005Fh			

X: Undefined

Blanks are reserved. No access is allowed.

Table 4.2 SFR List (2)

Address	Register	Symbol	Reset Value
000060h			
000061h	Timer B5 Interrupt Control Register	TB5IC	XXXX X000b
000062h	UART5 Transmit/NACK Interrupt Control Register	S5TIC	XXXX X000b
000063h	UART2 Receive/ACK Interrupt Control Register/I ² C-bus Line Interrupt Control Register	S2RIC/I2CLIC	XXXX X000b
000064h	UART6 Transmit/NACK Interrupt Control Register	S6TIC	XXXX X000b
000065h	UART3 Receive/ACK Interrupt Control Register	S3RIC	XXXX X000b
000066h	UART5/6 Bus Collision, START Condition/STOP Condition Detection Interrupt Control Register	BCN5IC/BCN6IC	XXXX X000b
000067h	UART4 Receive/ACK Interrupt Control Register	S4RIC	XXXX X000b
000068h	DMA0 Transfer Complete Interrupt Control Register	DM0IC	XXXX X000b
000069h	UART0/3 Bus Collision, START Condition/STOP Condition Detection Interrupt Control Register	BCN0IC/BCN3IC	XXXX X000b
00006Ah	DMA2 Transfer Complete Interrupt Control Register	DM2IC	XXXX X000b
00006Bh	A/D Converter 0 Convert Completion Interrupt Control Register	AD0IC	XXXX X000b
00006Ch	Timer A0 Interrupt Control Register	TA0IC	XXXX X000b
00006Dh	Intelligent I/O Interrupt Control Register 0	IIO0IC	XXXX X000b
00006Eh	Timer A2 Interrupt Control Register	TA2IC	XXXX X000b
00006Fh	Intelligent I/O Interrupt Control Register 2	IIO2IC	XXXX X000b
000070h	Timer A4 Interrupt Control Register	TA4IC	XXXX X000b
000071h	Intelligent I/O Interrupt Control Register 4	IIO4IC	XXXX X000b
000072h	UART0 Receive/ACK Interrupt Control Register	S0RIC	XXXX X000b
000073h	Intelligent I/O Interrupt Control Register 6	IIO6IC	XXXX X000b
000074h	UART1 Receive/ACK Interrupt Control Register	S1RIC	XXXX X000b
000075h	Intelligent I/O Interrupt Control Register 8	IIO8IC	XXXX X000b
000076h	Timer B1 Interrupt Control Register	TB1IC	XXXX X000b
000077h	Intelligent I/O Interrupt Control Register 10	IIO10IC	XXXX X000b
000078h	Timer B3 Interrupt Control Register	TB3IC	XXXX X000b
000079h			
00007Ah	INT5 Interrupt Control Register	INT5IC	XX00 X000b
00007Bh			
00007Ch	INT3 Interrupt Control Register	INT3IC	XX00 X000b
00007Dh			
00007Eh	INT1 Interrupt Control Register	INT1IC	XX00 X000b
00007Fh			
000080h			
000081h	UART2 Transmit/NACK Interrupt Control Register/I ² C-bus Interrupt Control Register	S2TIC/I2CIC	XXXX X000b
000082h	UART5 Receive/ACK Interrupt Control Register	S5RIC	XXXX X000b
000083h	UART3 Transmit/NACK Interrupt Control Register	S3TIC	XXXX X000b
000084h	UART6 Receive/ACK Interrupt Control Register	S6RIC	XXXX X000b
000085h	UART4 Transmit/NACK Interrupt Control Register	S4TIC	XXXX X000b
000086h			
000087h	UART2 Bus Collision, START Condition/STOP Condition Detection Interrupt Control Register	BCN2IC	XXXX X000b

X: Undefined

Blanks are reserved. No access is allowed.

Table 4.3 SFR List (3)

Address	Register	Symbol	Reset Value
000088h	DMA1 Transfer Complete Interrupt Control Register	DM1IC	XXXX X000b
000089h	UART1/4 Bus Collision, START Condition/STOP Condition Detection Interrupt Control Register	BCN1IC/BCN4IC	XXXX X000b
00008Ah	DMA3 Transfer Complete Interrupt Control Register	DM3IC	XXXX X000b
00008Bh	Key Input Interrupt Control Register	KUPIC	XXXX X000b
00008Ch	Timer A1 Interrupt Control Register	TA1IC	XXXX X000b
00008Dh	Intelligent I/O Interrupt Control Register 1	IIO1IC	XXXX X000b
00008Eh	Timer A3 Interrupt Control Register	TA3IC	XXXX X000b
00008Fh	Intelligent I/O Interrupt Control Register 3	IIO3IC	XXXX X000b
000090h	UART0 Transmit/NACK Interrupt Control Register	S0TIC	XXXX X000b
000091h	Intelligent I/O Interrupt Control Register 5	IIO5IC	XXXX X000b
000092h	UART1 Transmit/NACK Interrupt Control Register	S1TIC	XXXX X000b
000093h	Intelligent I/O Interrupt Control Register 7	IIO7IC	XXXX X000b
000094h	Timer B0 Interrupt Control Register	TB0IC	XXXX X000b
000095h	Intelligent I/O Interrupt Control Register 9	IIO9IC	XXXX X000b
000096h	Timer B2 Interrupt Control Register	TB2IC	XXXX X000b
000097h	Intelligent I/O Interrupt Control Register 11	IIO11IC	XXXX X000b
000098h	Timer B4 Interrupt Control Register	TB4IC	XXXX X000b
000099h			
00009Ah	INT4 Interrupt Control Register	INT4IC	XX00 X000b
00009Bh			
00009Ch	INT2 Interrupt Control Register	INT2IC	XX00 X000b
00009Dh			
00009Eh	INT0 Interrupt Control Register	INT0IC	XX00 X000b
00009Fh			
0000A0h	Intelligent I/O Interrupt Request Register 0	IIO0IR	0000 0XX1b
0000A1h	Intelligent I/O Interrupt Request Register 1	IIO1IR	0000 0XX1b
0000A2h	Intelligent I/O Interrupt Request Register 2	IIO2IR	0000 0X01b
0000A3h	Intelligent I/O Interrupt Request Register 3	IIO3IR	0000 XXX1b
0000A4h	Intelligent I/O Interrupt Request Register 4	IIO4IR	000X 0XX1b
0000A5h	Intelligent I/O Interrupt Request Register 5	IIO5IR	000X 0XX1b
0000A6h	Intelligent I/O Interrupt Request Register 6	IIO6IR	000X 0XX1b
0000A7h	Intelligent I/O Interrupt Request Register 7	IIO7IR	X00X 0XX1b
0000A8h	Intelligent I/O Interrupt Request Register 8	IIO8IR	XX0X 0XX1b
0000A9h	Intelligent I/O Interrupt Request Register 9	IIO9IR	0X00 0XX1b
0000AAh	Intelligent I/O Interrupt Request Register 10	IIO10IR	0X00 0XX1b
0000ABh	Intelligent I/O Interrupt Request Register 11	IIO11IR	0X00 0XX1b
0000ACh			
0000ADh			
0000AEh			
0000AFh			

X: Undefined

Blanks are reserved. No access is allowed.

Table 4.4 SFR List (4)

Address	Register	Symbol	Reset Value
0000B0h	Intelligent I/O Interrupt Enable Register 0	IIO0IE	00h
0000B1h	Intelligent I/O Interrupt Enable Register 1	IIO1IE	00h
0000B2h	Intelligent I/O Interrupt Enable Register 2	IIO2IE	00h
0000B3h	Intelligent I/O Interrupt Enable Register 3	IIO3IE	00h
0000B4h	Intelligent I/O Interrupt Enable Register 4	IIO4IE	00h
0000B5h	Intelligent I/O Interrupt Enable Register 5	IIO5IE	00h
0000B6h	Intelligent I/O Interrupt Enable Register 6	IIO6IE	00h
0000B7h	Intelligent I/O Interrupt Enable Register 7	IIO7IE	00h
0000B8h	Intelligent I/O Interrupt Enable Register 8	IIO8IE	00h
0000B9h	Intelligent I/O Interrupt Enable Register 9	IIO9IE	00h
0000BAh	Intelligent I/O Interrupt Enable Register 10	IIO10IE	00h
0000BBh	Intelligent I/O Interrupt Enable Register 11	IIO11IE	00h
0000BCh			
0000BDh			
0000BEh			
0000BFh			
0000C0h			
0000C1h			
0000C2h			
0000C3h			
0000C4h			
0000C5h			
0000C6h			
0000C7h			
0000C8h			
0000C9h			
0000CAh			
0000CBh			
0000CCh			
0000CDh			
0000CEh			
0000CFh			
0000D0h			
0000D1h			
0000D2h			
0000D3h			
0000D4h			
0000D5h			
0000D6h			
0000D7h			
0000D8h			
0000D9h			
0000DAh			
0000DBh			
0000DCh			
0000DDh	UART7 Transmit Interrupt Control Register	S7TIC	XXXX X00b
0000DEh	INT7 Interrupt Control Register	INT7IC	XX00 X000b
0000DFh	UART8 Transmit Interrupt Control Register	S8TIC	XXXX X00b

X: Undefined

Blanks are reserved. No access is allowed.

Table 4.5 SFR List (5)

Address	Register	Symbol	Reset Value
0000E0h			
0000E1h			
0000E2h			
0000E3h			
0000E4h			
0000E5h			
0000E6h			
0000E7h			
0000E8h			
0000E9h			
0000EAh			
0000EBh			
0000ECh			
0000EDh			
0000EEh			
0000EFh			
0000F0h			
0000F1h			
0000F2h			
0000F3h			
0000F4h			
0000F5h			
0000F6h			
0000F7h			
0000F8h			
0000F9h			
000FAh			
000FBh			
000FCh	INT8 Interrupt Control Register	INT8IC	XX00 X000b
000FDh	UART7 Receive Interrupt Control Register	S7RIC	XXXX X000b
000FEh	INT6 Interrupt Control Register	INT6IC	XX00 X000b
000FFh	UART8 Receive Interrupt Control Register	S8RIC	XXXX X000b
000100h	Group 1 Time Measurement/Waveform Generation Register 0	G1TM0/G1PO0	XXXXh
000101h			
000102h	Group 1 Time Measurement/Waveform Generation Register 1	G1TM1/G1PO1	XXXXh
000103h			
000104h	Group 1 Time Measurement/Waveform Generation Register 2	G1TM2/G1PO2	XXXXh
000105h			
000106h	Group 1 Time Measurement/Waveform Generation Register 3	G1TM3/G1PO3	XXXXh
000107h			

X: Undefined

Blanks are reserved. No access is allowed.

Table 4.6 SFR List (6)

Address	Register	Symbol	Reset Value
000108h	Group 1 Time Measurement/Waveform Generation Register 4	G1TM4/G1PO4	XXXXh
000109h			
00010Ah	Group 1 Time Measurement/Waveform Generation Register 5	G1TM5/G1PO5	XXXXh
00010Bh			
00010Ch	Group 1 Time Measurement/Waveform Generation Register 6	G1TM6/G1PO6	XXXXh
00010Dh			
00010Eh	Group 1 Time Measurement/Waveform Generation Register 7	G1TM7/G1PO7	XXXXh
00010Fh			
000110h	Group 1 Waveform Generation Control Register 0	G1POCR0	0000 X000b
000111h	Group 1 Waveform Generation Control Register 1	G1POCR1	0X00 X000b
000112h	Group 1 Waveform Generation Control Register 2	G1POCR2	0X00 X000b
000113h	Group 1 Waveform Generation Control Register 3	G1POCR3	0X00 X000b
000114h	Group 1 Waveform Generation Control Register 4	G1POCR4	0X00 X000b
000115h	Group 1 Waveform Generation Control Register 5	G1POCR5	0X00 X000b
000116h	Group 1 Waveform Generation Control Register 6	G1POCR6	0X00 X000b
000117h	Group 1 Waveform Generation Control Register 7	G1POCR7	0X00 X000b
000118h	Group 1 Time Measurement Control Register 0	G1TMCR0	00h
000119h	Group 1 Time Measurement Control Register 1	G1TMCR1	00h
00011Ah	Group 1 Time Measurement Control Register 2	G1TMCR2	00h
00011Bh	Group 1 Time Measurement Control Register 3	G1TMCR3	00h
00011Ch	Group 1 Time Measurement Control Register 4	G1TMCR4	00h
00011Dh	Group 1 Time Measurement Control Register 5	G1TMCR5	00h
00011Eh	Group 1 Time Measurement Control Register 6	G1TMCR6	00h
00011Fh	Group 1 Time Measurement Control Register 7	G1TMCR7	00h
000120h	Group 1 Base Timer Register	G1BT	XXXXh
000121h			
000122h	Group 1 Base Timer Control Register 0	G1BCR0	0000 0000b
000123h	Group 1 Base Timer Control Register 1	G1BCR1	0000 0000b
000124h	Group 1 Time Measurement Prescaler Register 6	G1TPR6	00h
000125h	Group 1 Time Measurement Prescaler Register 7	G1TPR7	00h
000126h	Group 1 Function Enable Register	G1FE	00h
000127h	Group 1 Function Select Register	G1FS	00h
000128h			
000129h			
00012Ah			
00012Bh			
00012Ch			
00012Dh			
00012Eh			
00012Fh			
000130h to 00013Fh			

X: Undefined

Blanks are reserved. No access is allowed.

Table 4.7 SFR List (7)

Address	Register	Symbol	Reset Value
000140h	Group 2 Waveform Generation Register 0	G2PO0	XXXXh
000141h			
000142h	Group 2 Waveform Generation Register 1	G2PO1	XXXXh
000143h			
000144h	Group 2 Waveform Generation Register 2	G2PO2	XXXXh
000145h			
000146h	Group 2 Waveform Generation Register 3	G2PO3	XXXXh
000147h			
000148h	Group 2 Waveform Generation Register 4	G2PO4	XXXXh
000149h			
00014Ah	Group 2 Waveform Generation Register 5	G2PO5	XXXXh
00014Bh			
00014Ch	Group 2 Waveform Generation Register 6	G2PO6	XXXXh
00014Dh			
00014Eh	Group 2 Waveform Generation Register 7	G2PO7	XXXXh
00014Fh			
000150h	Group 2 Waveform Generation Control Register 0	G2POCR0	0000 0000b
000151h	Group 2 Waveform Generation Control Register 1	G2POCR1	0000 0000b
000152h	Group 2 Waveform Generation Control Register 2	G2POCR2	0000 0000b
000153h	Group 2 Waveform Generation Control Register 3	G2POCR3	0000 0000b
000154h	Group 2 Waveform Generation Control Register 4	G2POCR4	0000 0000b
000155h	Group 2 Waveform Generation Control Register 5	G2POCR5	0000 0000b
000156h	Group 2 Waveform Generation Control Register 6	G2POCR6	0000 0000b
000157h	Group 2 Waveform Generation Control Register 7	G2POCR7	0000 0000b
000158h			
000159h			
00015Ah			
00015Bh			
00015Ch			
00015Dh			
00015Eh			
00015Fh			
000160h	Group 2 Base Timer Register	G2BT	XXXXh
000161h			
000162h	Group 2 Base Timer Control Register 0	G2BCR0	0000 0000b
000163h	Group 2 Base Timer Control Register 1	G2BCR1	0000 0000b
000164h	Base Timer Start Register	BTSR	XXXX 0000b
000165h			
000166h	Group 2 Function Enable Register	G2FE	00h
000167h	Group 2 RTP Output Buffer Register	G2RTP	00h
000168h			
000169h			
00016Ah	Group 2 Serial Interface Mode Register	G2MR	00XX X000b
00016Bh	Group 2 Serial Interface Control Register	G2CR	0000 X110b
00016Ch	Group 2 SI/O Transmit Buffer Register	G2TB	XXXXh
00016Dh			
00016Eh	Group 2 SI/O Receive Buffer Register	G2RB	XXXXh
00016Fh			

X: Undefined

Blanks are reserved. No access is allowed.

Table 4.8 SFR List (8)

Address	Register	Symbol	Reset Value
000170h	Group 2 IEBus Address Register	IEAR	XXXXh
000171h			
000172h	Group 2 IEBus Control Register	IECR	00XX X000b
000173h	Group 2 IEBus Transmit Interrupt Source Detect Register	IETIF	XXX0 0000b
000174h	Group 2 IEBus Receive Interrupt Source Detect Register	IERIF	XXX0 0000b
000175h			
000176h			
000177h			
000178h			
000179h			
00017Ah			
00017Bh			
00017Ch			
00017Dh			
00017Eh			
00017Fh			
000180h	Group 0 Time Measurement/Waveform Generation Register 0	G0TM0/G0PO0	XXXXh
000181h			
000182h	Group 0 Time Measurement/Waveform Generation Register 1	G0TM1/G0PO1	XXXXh
000183h			
000184h	Group 0 Time Measurement/Waveform Generation Register 2	G0TM2/G0PO2	XXXXh
000185h			
000186h	Group 0 Time Measurement/Waveform Generation Register 3	G0TM3/G0PO3	XXXXh
000187h			
000188h	Group 0 Time Measurement/Waveform Generation Register 4	G0TM4/G0PO4	XXXXh
000189h			
00018Ah	Group 0 Time Measurement/Waveform Generation Register 5	G0TM5/G0PO5	XXXXh
00018Bh			
00018Ch	Group 0 Time Measurement/Waveform Generation Register 6	G0TM6/G0PO6	XXXXh
00018Dh			
00018Eh	Group 0 Time Measurement/Waveform Generation Register 7	G0TM7/G0PO7	XXXXh
00018Fh			
000190h	Group 0 Waveform Generation Control Register 0	G0POCR0	0000 X000b
000191h	Group 0 Waveform Generation Control Register 1	G0POCR1	0X00 X000b
000192h	Group 0 Waveform Generation Control Register 2	G0POCR2	0X00 X000b
000193h	Group 0 Waveform Generation Control Register 3	G0POCR3	0X00 X000b
000194h	Group 0 Waveform Generation Control Register 4	G0POCR4	0X00 X000b
000195h	Group 0 Waveform Generation Control Register 5	G0POCR5	0X00 X000b
000196h	Group 0 Waveform Generation Control Register 6	G0POCR6	0X00 X000b
000197h	Group 0 Waveform Generation Control Register 7	G0POCR7	0X00 X000b
000198h	Group 0 Time Measurement Control Register 0	G0TMCR0	00h
000199h	Group 0 Time Measurement Control Register 1	G0TMCR1	00h
00019Ah	Group 0 Time Measurement Control Register 2	G0TMCR2	00h
00019Bh	Group 0 Time Measurement Control Register 3	G0TMCR3	00h
00019Ch	Group 0 Time Measurement Control Register 4	G0TMCR4	00h
00019Dh	Group 0 Time Measurement Control Register 5	G0TMCR5	00h
00019Eh	Group 0 Time Measurement Control Register 6	G0TMCR6	00h
00019Fh	Group 0 Time Measurement Control Register 7	G0TMCR7	00h

X: Undefined

Blanks are reserved. No access is allowed.

Table 4.9 SFR List (9)

Address	Register	Symbol	Reset Value
0001A0h	Group 0 Base Timer Register	G0BT	XXXXh
0001A1h			
0001A2h	Group 0 Base Timer Control Register 0	G0BCR0	0000 0000b
0001A3h	Group 0 Base Timer Control Register 1	G0BCR1	0000 0000b
0001A4h	Group 0 Time Measurement Prescaler Register 6	G0TPR6	00h
0001A5h	Group 0 Time Measurement Prescaler Register 7	G0TPR7	00h
0001A6h	Group 0 Function Enable Register	G0FE	00h
0001A7h	Group 0 Function Select Register	G0FS	00h
0001A8h			
0001A9h			
0001AAh			
0001ABh			
0001ACh			
0001ADh			
0001AEh			
0001AFh			
0001B0h			
0001B1h			
0001B2h			
0001B3h			
0001B4h			
0001B5h			
0001B6h			
0001B7h			
0001B8h			
0001B9h			
0001BAh			
0001BBh			
0001BCh			
0001BDh			
0001BEh			
0001BFh			
0001C0h			
0001C1h			
0001C2h			
0001C3h			
0001C4h	UART5 Special Mode Register 4	U5SMR4	00h
0001C5h	UART5 Special Mode Register 3	U5SMR3	00h
0001C6h	UART5 Special Mode Register 2	U5SMR2	00h
0001C7h	UART5 Special Mode Register	U5SMR	00h
0001C8h	UART5 Transmit/Receive Mode Register	U5MR	00h
0001C9h	UART5 Bit Rate Register	U5BRG	XXh
0001CAh	UART5 Transmit Buffer Register	U5TB	XXXXh
0001CBh			
0001CCh	UART5 Transmit/Receive Control Register 0	U5C0	0000 1000b
0001CDh	UART5 Transmit/Receive Control Register 1	U5C1	0000 0010b
0001CEh	UART5 Receive Buffer Register	U5RB	XXXXh
0001CFh			

X: Undefined

Blanks are reserved. No access is allowed.

Table 4.10 SFR List (10)

Address	Register	Symbol	Reset Value
0001D0h			
0001D1h			
0001D2h			
0001D3h			
0001D4h	UART6 Special Mode Register 4	U6SMR4	00h
0001D5h	UART6 Special Mode Register 3	U6SMR3	00h
0001D6h	UART6 Special Mode Register 2	U6SMR2	00h
0001D7h	UART6 Special Mode Register	U6SMR	00h
0001D8h	UART6 Transmit/Receive Mode Register	U6MR	00h
0001D9h	UART6 Bit Rate Register	U6BRG	XXh
0001DAh	UART6 Transmit Buffer Register	U6TB	XXXXh
0001DBh			
0001DCh	UART6 Transmit/Receive Control Register 0	U6C0	0000 1000b
0001DDh	UART6 Transmit/Receive Control Register 1	U6C1	0000 0010b
0001DEh	UART6 Receive Buffer Register	U6RB	XXXXh
0001DFh			
0001E0h	UART7 Transmit/Receive Mode Register	U7MR	00h
0001E1h	UART7 Bit Rate Register	U7BRG	XXh
0001E2h	UART7 Transmit Buffer Register	U7TB	XXXXh
0001E3h			
0001E4h	UART7 Transmit/Receive Control Register 0	U7C0	00X0 1000b
0001E5h	UART7 Transmit/Receive Control Register 1	U7C1	XXXX 0010b
0001E6h	UART7 Receive Buffer Register	U7RB	XXXXh
0001E7h			
0001E8h	UART8 Transmit/Receive Mode Register	U8MR	00h
0001E9h	UART8 Bit Rate Register	U8BRG	XXh
0001EAh	UART8 Transmit Buffer Register	U8TB	XXXXh
0001EBh			
0001ECh	UART8 Transmit/Receive Control Register 0	U8C0	00X0 1000b
0001EDh	UART8 Transmit/Receive Control Register 1	U8C1	XXXX 0010b
0001EEh	UART8 Receive Buffer Register	U8RB	XXXXh
0001EFh			
0001F0h	UART7, UART8 Transmit/Receive Control Register 2	U78CON	X000 0000b
0001F1h			
0001F2h			
0001F3h			
0001F4h			
0001F5h			
0001F6h			
0001F7h			
0001F8h			
0001F9h			
0001FAh			
0001FBh			
0001FCh			
0001FDh			
0001FEh			
0001FFh			

X: Undefined

Blanks are reserved. No access is allowed.

Table 4.11 SFR List (11)

Address	Register	Symbol	Reset Value
000200h to 0002BFh			
0002C0h 0002C1h	X0 Register/Y0 Register	X0R/Y0R	XXXXh
0002C2h 0002C3h	X1 Register/Y1 Register	X1R/Y1R	XXXXh
0002C4h 0002C5h	X2 Register/Y2 Register	X2R/Y2R	XXXXh
0002C6h 0002C7h	X3 Register/Y3 Register	X3R/Y3R	XXXXh
0002C8h 0002C9h	X4 Register/Y4 Register	X4R/Y4R	XXXXh
0002CAh 0002CBh	X5 Register/Y5 Register	X5R/Y5R	XXXXh
0002CCh 0002CDh	X6 Register/Y6 Register	X6R/Y6R	XXXXh
0002CEh 0002CFh	X7 Register/Y7 Register	X7R/Y7R	XXXXh
0002D0h 0002D1h	X8 Register/Y8 Register	X8R/Y8R	XXXXh
0002D2h 0002D3h	X9 Register/Y9 Register	X9R/Y9R	XXXXh
0002D4h 0002D5h	X10 Register/Y10 Register	X10R/Y10R	XXXXh
0002D6h 0002D7h	X11 Register/Y11 Register	X11R/Y11R	XXXXh
0002D8h 0002D9h	X12 Register/Y12 Register	X12R/Y12R	XXXXh
0002DAh 0002DBh	X13 Register/Y13 Register	X13R/Y13R	XXXXh
0002DCh 0002DDh	X14 Register/Y14 Register	X14R/Y14R	XXXXh
0002DEh 0002DFh	X15 Register/Y15 Register	X15R/Y15R	XXXXh
0002E0h 0002E1h	X-Y Control Register	XYC	XXXX XX00b
0002E2h 0002E3h			
0002E4h	UART1 Special Mode Register 4	U1SMR4	00h
0002E5h	UART1 Special Mode Register 3	U1SMR3	00h
0002E6h	UART1 Special Mode Register 2	U1SMR2	00h
0002E7h	UART1 Special Mode Register	U1SMR	00h
0002E8h	UART1 Transmit/Receive Mode Register	U1MR	00h
0002E9h	UART1 Bit Rate Register	U1BRG	XXh
0002EAh 0002EBh	UART1 Transmit Buffer Register	U1TB	XXXXh
0002ECh	UART1 Transmit/Receive Control Register 0	U1C0	0000 1000b
0002EDh	UART1 Transmit/Receive Control Register 1	U1C1	0000 0010b
0002EEh 0002EFh	UART1 Receive Buffer Register	U1RB	XXXXh

X: Undefined

Blanks are reserved. No access is allowed.

Table 4.12 SFR List (12)

Address	Register	Symbol	Reset Value
0002F0h			
0002F1h			
0002F2h			
0002F3h			
0002F4h	UART4 Special Mode Register 4	U4SMR4	00h
0002F5h	UART4 Special Mode Register 3	U4SMR3	00h
0002F6h	UART4 Special Mode Register 2	U4SMR2	00h
0002F7h	UART4 Special Mode Register	U4SMR	00h
0002F8h	UART4 Transmit/Receive Mode Register	U4MR	00h
0002F9h	UART4 Bit Rate Register	U4BRG	XXh
0002FAh	UART4 Transmit Buffer Register	U4TB	XXXXh
0002FBh			
0002FCh	UART4 Transmit/Receive Control Register 0	U4C0	0000 1000b
0002FDh	UART4 Transmit/Receive Control Register 1	U4C1	0000 0010b
0002FEh	UART4 Receive Buffer Register	U4RB	XXXXh
0002FFh			
000300h	Count Start Register for Timers B3, B4, and B5	TBSR	000X XXXXb
000301h			
000302h	Timer A1-1 Register	TA11	XXXXh
000303h			
000304h	Timer A2-1 Register	TA21	XXXXh
000305h			
000306h	Timer A4-1 Register	TA41	XXXXh
000307h			
000308h	Three-phase PWM Control Register 0	INVC0	00h
000309h	Three-phase PWM Control Register 1	INVC1	00h
00030Ah	Three-phase Output Buffer Register 0	IDB0	XX11 1111b
00030Bh	Three-phase Output Buffer Register 1	IDB1	XX11 1111b
00030Ch	Dead Time Timer	DTT	XXh
00030Dh	Timer B2 Interrupt Generating Frequency Set Counter	ICTB2	XXh
00030Eh			
00030Fh			
000310h	Timer B3 Register	TB3	XXXXh
000311h			
000312h	Timer B4 Register	TB4	XXXXh
000313h			
000314h	Timer B5 Register	TB5	XXXXh
000315h			
000316h			
000317h			
000318h			
000319h			
00031Ah			
00031Bh	Timer B3 Mode Register	TB3MR	00XX 0000b
00031Ch	Timer B4 Mode Register	TB4MR	00XX 0000b
00031Dh	Timer B5 Mode Register	TB5MR	00XX 0000b
00031Eh			
00031Fh			

X: Undefined

Blanks are reserved. No access is allowed.

Table 4.13 SFR List (13)

Address	Register	Symbol	Reset Value
000320h			
000321h			
000322h			
000323h			
000324h	UART3 Special Mode Register 4	U3SMR4	00h
000325h	UART3 Special Mode Register 3	U3SMR3	00h
000326h	UART3 Special Mode Register 2	U3SMR2	00h
000327h	UART3 Special Mode Register	U3SMR	00h
000328h	UART3 Transmit/Receive Mode Register	U3MR	00h
000329h	UART3 Bit Rate Register	U3BRG	XXh
00032Ah	UART3 Transmit Buffer Register	U3TB	XXXXh
00032Bh			
00032Ch	UART3 Transmit/Receive Control Register 0	U3C0	0000 1000b
00032Dh	UART3 Transmit/Receive Control Register 1	U3C1	0000 0010b
00032Eh	UART3 Receive Buffer Register	U3RB	XXXXh
00032Fh			
000330h			
000331h			
000332h			
000333h			
000334h	UART2 Special Mode Register 4	U2SMR4	00h
000335h	UART2 Special Mode Register 3	U2SMR3	00h
000336h	UART2 Special Mode Register 2	U2SMR2	00h
000337h	UART2 Special Mode Register	U2SMR	00h
000338h	UART2 Transmit/Receive Mode Register	U2MR	00h
000339h	UART2 Bit Rate Register	U2BRG	XXh
00033Ah	UART2 Transmit Buffer Register	U2TB	XXXXh
00033Bh			
00033Ch	UART2 Transmit/Receive Control Register 0	U2C0	0000 1000b
00033Dh	UART2 Transmit/Receive Control Register 1	U2C1	0000 0010b
00033Eh	UART2 Receive Buffer Register	U2RB	XXXXh
00033Fh			
000340h	Count Start Register	TABSR	0000 0000b
000341h	Clock Prescaler Reset Register	CPSRF	0XXX XXXXb
000342h	One-shot Start Register	ONSF	0000 0000b
000343h	Trigger Select Register	TRGSR	0000 0000b
000344h	Increment/Decrement Select Register	UDF	0000 0000b
000345h			
000346h	Timer A0 Register	TA0	XXXXh
000347h			
000348h	Timer A1 Register	TA1	XXXXh
000349h			
00034Ah	Timer A2 Register	TA2	XXXXh
00034Bh			
00034Ch	Timer A3 Register	TA3	XXXXh
00034Dh			
00034Eh	Timer A4 Register	TA4	XXXXh
00034Fh			

X: Undefined

Blanks are reserved. No access is allowed.

Table 4.14 SFR List (14)

Address	Register	Symbol	Reset Value
000350h	Timer B0 Register	TB0	XXXXh
000351h			
000352h	Timer B1 Register	TB1	XXXXh
000353h			
000354h	Timer B2 Register	TB2	XXXXh
000355h			
000356h	Timer A0 Mode Register	TA0MR	0000 0000b
000357h	Timer A1 Mode Register	TA1MR	0000 0000b
000358h	Timer A2 Mode Register	TA2MR	0000 0000b
000359h	Timer A3 Mode Register	TA3MR	0000 0000b
00035Ah	Timer A4 Mode Register	TA4MR	0000 0000b
00035Bh	Timer B0 Mode Register	TB0MR	00XX 0000b
00035Ch	Timer B1 Mode Register	TB1MR	00XX 0000b
00035Dh	Timer B2 Mode Register	TB2MR	00XX 0000b
00035Eh	Timer B2 Special Mode Register	TB2SC	XXXX XXX0b
00035Fh	Count Source Prescaler Register	TCSPR	0000 0000b
000360h			
000361h			
000362h			
000363h			
000364h	UART0 Special Mode Register 4	U0SMR4	00h
000365h	UART0 Special Mode Register 3	U0SMR3	00h
000366h	UART0 Special Mode Register 2	U0SMR2	00h
000367h	UART0 Special Mode Register	U0SMR	00h
000368h	UART0 Transmit/Receive Mode Register	U0MR	00h
000369h	UART0 Bit Rate Register	U0BRG	XXh
00036Ah	UART0 Transmit Buffer Register	U0TB	XXXXh
00036Bh			
00036Ch	UART0 Transmit/Receive Control Register 0	U0C0	0000 1000b
00036Dh	UART0 Transmit/Receive Control Register 1	U0C1	0000 0010b
00036Eh	UART0 Receive Buffer Register	U0RB	XXXXh
00036Fh			
000370h			
000371h			
000372h			
000373h			
000374h			
000375h			
000376h			
000377h			
000378h			
000379h			
00037Ah			
00037Bh			
00037Ch	CRC Data Register	CRCD	XXXXh
00037Dh			
00037Eh	CRC Input Register	CRCIN	XXh
00037Fh			

X: Undefined

Blanks are reserved. No access is allowed.

Table 4.15 SFR List (15)

Address	Register	Symbol	Reset Value
000380h	A/D0 Register 0	AD00	00XXh
000381h			
000382h	A/D0 Register 1	AD01	00XXh
000383h			
000384h	A/D0 Register 2	AD02	00XXh
000385h			
000386h	A/D0 Register 3	AD03	00XXh
000387h			
000388h	A/D0 Register 4	AD04	00XXh
000389h			
00038Ah	A/D0 Register 5	AD05	00XXh
00038Bh			
00038Ch	A/D0 Register 6	AD06	00XXh
00038Dh			
00038Eh	A/D0 Register 7	AD07	00XXh
00038Fh			
000390h			
000391h			
000392h	A/D0 Control Register 4	AD0CON4	XXXX 00XXb
000393h			
000394h	A/D0 Control Register 2	AD0CON2	XX0X X000b
000395h	A/D0 Control Register 3	AD0CON3	XXXX X000b
000396h	A/D0 Control Register 0	AD0CON0	00h
000397h	A/D0 Control Register 1	AD0CON1	00h
000398h	D/A Register 0	DA0	XXh
000399h			
00039Ah	D/A Register 1	DA1	XXh
00039Bh			
00039Ch	D/A Control Register	DACON	XXXX XX00b
00039Dh			
00039Eh			
00039Fh			
0003A0h			
0003A1h			
0003A2h			
0003A3h			
0003A4h			
0003A5h			
0003A6h			
0003A7h			
0003A8h			
0003A9h			
0003AAh			
0003ABh			
0003ACh			
0003ADh			
0003AEh			
0003AFh			

X: Undefined

Blanks are reserved. No access is allowed.

Table 4.16 SFR List (16)

Address	Register	Symbol	Reset Value
0003B0h			
0003B1h			
0003B2h			
0003B3h			
0003B4h			
0003B5h			
0003B6h			
0003B7h			
0003B8h			
0003B9h			
0003BAh			
0003BBh			
0003BCh			
0003BDh			
0003BEh			
0003BFh			
0003C0h	Port P0 Register	P0	XXh
0003C1h	Port P1 Register	P1	XXh
0003C2h	Port P0 Direction Register	PD0	0000 0000b
0003C3h	Port P1 Direction Register	PD1	0000 0000b
0003C4h	Port P2 Register	P2	XXh
0003C5h	Port P3 Register	P3	XXh
0003C6h	Port P2 Direction Register	PD2	0000 0000b
0003C7h	Port P3 Direction Register	PD3	0000 0000b
0003C8h	Port P4 Register	P4	XXh
0003C9h	Port P5 Register	P5	XXh
0003CAh	Port P4 Direction Register	PD4	0000 0000b
0003CBh	Port P5 Direction Register	PD5	0000 0000b
0003CCh	Port P6 Register	P6	XXh
0003CDh	Port P7 Register	P7	XXh
0003CEh	Port P6 Direction Register	PD6	0000 0000b
0003CFh	Port P7 Direction Register	PD7	0000 0000b
0003D0h	Port P8 Register	P8	XXh
0003D1h	Port P9 Register	P9	XXh
0003D2h	Port P8 Direction Register	PD8	00X0 0000b
0003D3h	Port P9 Direction Register	PD9	0000 0000b
0003D4h	Port P10 Register	P10	XXh
0003D5h	Port P11 Register	P11	XXh
0003D6h	Port P10 Direction Register	PD10	0000 0000b
0003D7h	Port P11 Direction Register	PD11	XXX0 0000b
0003D8h	Port P12 Register	P12	XXh
0003D9h	Port P13 Register	P13	XXh
0003DAh	Port P12 Direction Register	PD12	0000 0000b
0003DBh	Port P13 Direction Register	PD13	0000 0000b
0003DCh	Port P14 Register	P14	XXh
0003DDh	Port P15 Register	P15	XXh
0003DEh	Port P14 Direction Register	PD14	X000 0000b
0003DFh	Port P15 Direction Register	PD15	0000 0000b

X: Undefined

Blanks are reserved. No access is allowed.

Table 4.17 SFR List (17)

Address	Register	Symbol	Reset Value
0003E0h			
0003E1h			
0003E2h			
0003E3h			
0003E4h			
0003E5h			
0003E6h			
0003E7h			
0003E8h			
0003E9h			
0003EAh			
0003EBh			
0003ECh			
0003EDh			
0003EEh			
0003EFh			
0003F0h	Pull-up Control Register 0	PUR0	0000 0000b
0003F1h	Pull-up Control Register 1	PUR1	XXXX X0XXb
0003F2h	Pull-up Control Register 2	PUR2	000X XXXXb
0003F3h	Pull-up Control Register 3	PUR3	0000 0000b
0003F4h	Pull-up Control Register 4	PUR4	XXXX 0000b
0003F5h			
0003F6h			
0003F7h			
0003F8h			
0003F9h			
0003FAh			
0003FBh			
0003FCh			
0003FDh			
0003FEh			
0003FFh	Port Control Register	PCR	0XXX XXX0b

X: Undefined

Blanks are reserved. No access is allowed.

Table 4.18 SFR List (18)

Address	Register	Symbol	Reset Value
040000h	Flash Memory Control Register 0	FMR0	0X01 XX00b
040001h	Flash Memory Status Register 0	FMSR0	1000 0000b
040002h			
040003h			
040004h			
040005h			
040006h			
040007h			
040008h	Flash Register Protection Unlock Register 0	FPR0	00h
040009h	Flash Memory Control Register 1	FMR1	0000 0010b
04000Ah	Block Protect Bit Monitor Register 0	FBPM0	??X? ???b (1)
04000Bh	Block Protect Bit Monitor Register 1	FBPM1	XXX? ???b (1)
04000Ch			
04000Dh			
04000Eh			
04000Fh			
040010h			
040011h	Block Protect Bit Monitor Register 2	FBPM2	???? ???b (1)
040012h			
040013h			
040014h			
040015h			
040016h			
040017h			
040018h			
040019h			
04001Ah			
04001Bh			
04001Ch			
04001Dh			
04001Eh			
04001Fh			
040020h	PLL Control Register 0	PLC0	0000 0001b
040021h	PLL Control Register 1	PLC1	0001 1111b
040022h			
040023h			
040024h			
040025h			
040026h			
040027h			
040028h			
040029h			
04002Ah			
04002Bh			
04002Ch			
04002Dh			
04002Eh			
04002Fh			

X: Undefined

Blanks are reserved. No access is allowed.

Note:

1. The reset value reflects the value of the protect bit for each block in the flash memory.

Table 4.19 SFR List (19)

Address	Register	Symbol	Reset Value
040030h to 04003Fh			
040040h			
040041h			
040042h			
040043h			
040044h	Processor Mode Register 0 ⁽¹⁾	PM0	1000 0000b (CNVSS pin = Low) 0000 0011b (CNVSS pin = High)
040045h			
040046h	System Clock Control Register 0	CM0	0000 1000b
040047h	System Clock Control Register 1	CM1	0010 0000b
040048h	Processor Mode Register 3	PM3	00h
040049h			
04004Ah	Protect Register	PRCR	XXXX X000b
04004Bh			
04004Ch	Protect Register 3	PRCR3	0000 0000b
04004Dh	Oscillator Stop Detection Register	CM2	00h
04004Eh			
04004Fh			
040050h			
040051h			
040052h			
040053h	Processor Mode Register 2	PM2	00h
040054h	Chip Select Output Pin Setting Register 0	CSOP0	1000 XXXXb
040055h	Chip Select Output Pin Setting Register 1	CSOP1	01X0 XXXXb
040056h	Chip Select Output Pin Setting Register 2	CSOP2	XXXX 0000b
040057h			
040058h			
040059h			
04005Ah	Low Speed Mode Clock Control Register	CM3	XXXX XX00b
04005Bh			
04005Ch			
04005Dh			
04005Eh			
04005Fh			
040060h	Voltage Regulator Control Register	VRCR	0000 0000b
040061h			
040062h	Low Voltage Detector Control Register	LVDC	0000 XX00b
040063h			
040064h	Detection Voltage Configuration Register	DVCR	0000 XXXXb
040065h			
040066h			
040067h			
040068h to 040093h			

X: Undefined

Blanks are reserved. No access is allowed.

Note:

1. The value in the PM0 register is retained even after a software reset or watchdog timer reset.

Table 4.20 SFR List (20)

Address	Register	Symbol	Reset Value
040094h			
040095h			
040096h			
040097h	Three-phase Output Buffer Control Register	IOBC	0XXX XXXXb
040098h	Input Function Select Register 0	IFS0	X000 0000b
040099h			
04009Ah	Input Function Select Register 2	IFS2	0000 00X0b
04009Bh	Input Function Select Register 3	IFS3	XXXX XX00b
04009Ch			
04009Dh			
04009Eh			
04009Fh			
0400A0h	Port P0_0 Function Select Register	P0_0S	0XXX X000b
0400A1h	Port P1_0 Function Select Register	P1_0S	XXXX X000b
0400A2h	Port P0_1 Function Select Register	P0_1S	0XXX X000b
0400A3h	Port P1_1 Function Select Register	P1_1S	XXXX X000b
0400A4h	Port P0_2 Function Select Register	P0_2S	0XXX X000b
0400A5h	Port P1_2 Function Select Register	P1_2S	XXXX X000b
0400A6h	Port P0_3 Function Select Register	P0_3S	0XXX X000b
0400A7h	Port P1_3 Function Select Register	P1_3S	XXXX X000b
0400A8h	Port P0_4 Function Select Register	P0_4S	0XXX X000b
0400A9h	Port P1_4 Function Select Register	P1_4S	XXXX X000b
0400AAh	Port P0_5 Function Select Register	P0_5S	0XXX X000b
0400ABh	Port P1_5 Function Select Register	P1_5S	XXXX X000b
0400ACh	Port P0_6 Function Select Register	P0_6S	0XXX X000b
0400ADh	Port P1_6 Function Select Register	P1_6S	XXXX X000b
0400AEh	Port P0_7 Function Select Register	P0_7S	0XXX X000b
0400AFh	Port P1_7 Function Select Register	P1_7S	XXXX X000b
0400B0h	Port P2_0 Function Select Register	P2_0S	0XXX X000b
0400B1h	Port P3_0 Function Select Register	P3_0S	XXXX X000b
0400B2h	Port P2_1 Function Select Register	P2_1S	0XXX X000b
0400B3h	Port P3_1 Function Select Register	P3_1S	XXXX X000b
0400B4h	Port P2_2 Function Select Register	P2_2S	0XXX X000b
0400B5h	Port P3_2 Function Select Register	P3_2S	XXXX X000b
0400B6h	Port P2_3 Function Select Register	P2_3S	0XXX X000b
0400B7h	Port P3_3 Function Select Register	P3_3S	XXXX X000b
0400B8h	Port P2_4 Function Select Register	P2_4S	0XXX X000b
0400B9h	Port P3_4 Function Select Register	P3_4S	XXXX X000b
0400BAh	Port P2_5 Function Select Register	P2_5S	0XXX X000b
0400BBh	Port P3_5 Function Select Register	P3_5S	XXXX X000b
0400BCh	Port P2_6 Function Select Register	P2_6S	0XXX X000b
0400BDh	Port P3_6 Function Select Register	P3_6S	XXXX X000b
0400BEh	Port P2_7 Function Select Register	P2_7S	0XXX X000b
0400BFh	Port P3_7 Function Select Register	P3_7S	XXXX X000b

X: Undefined

Blanks are reserved. No access is allowed.

Table 4.21 SFR List (21)

Address	Register	Symbol	Reset Value
0400C0h	Port P4_0 Function Select Register	P4_0S	X0XX X000b
0400C1h	Port P5_0 Function Select Register	P5_0S	XXXX X000b
0400C2h	Port P4_1 Function Select Register	P4_1S	X0XX X000b
0400C3h	Port P5_1 Function Select Register	P5_1S	XXXX X000b
0400C4h	Port P4_2 Function Select Register	P4_2S	X0XX X000b
0400C5h	Port P5_2 Function Select Register	P5_2S	XXXX X000b
0400C6h	Port P4_3 Function Select Register	P4_3S	X0XX X000b
0400C7h	Port P5_3 Function Select Register	P5_3S	XXXX X000b
0400C8h	Port P4_4 Function Select Register	P4_4S	X0XX X000b
0400C9h	Port P5_4 Function Select Register	P5_4S	X0XX X000b
0400CAh	Port P4_5 Function Select Register	P4_5S	X0XX X000b
0400CBh	Port P5_5 Function Select Register	P5_5S	X0XX X000b
0400CCh	Port P4_6 Function Select Register	P4_6S	X0XX X000b
0400CDh	Port P5_6 Function Select Register	P5_6S	X0XX X000b
0400CEh	Port P4_7 Function Select Register	P4_7S	X0XX X000b
0400CFh	Port P5_7 Function Select Register	P5_7S	X0XX X000b
0400D0h	Port P6_0 Function Select Register	P6_0S	X0XX X000b
0400D1h	Port P7_0 Function Select Register	P7_0S	X0XX X000b
0400D2h	Port P6_1 Function Select Register	P6_1S	X0XX X000b
0400D3h	Port P7_1 Function Select Register	P7_1S	X0XX X000b
0400D4h	Port P6_2 Function Select Register	P6_2S	X0XX X000b
0400D5h	Port P7_2 Function Select Register	P7_2S	X0XX X000b
0400D6h	Port P6_3 Function Select Register	P6_3S	X0XX X000b
0400D7h	Port P7_3 Function Select Register	P7_3S	X0XX X000b
0400D8h	Port P6_4 Function Select Register	P6_4S	X0XX X000b
0400D9h	Port P7_4 Function Select Register	P7_4S	X0XX X000b
0400DAh	Port P6_5 Function Select Register	P6_5S	X0XX X000b
0400DBh	Port P7_5 Function Select Register	P7_5S	X0XX X000b
0400DCh	Port P6_6 Function Select Register	P6_6S	X0XX X000b
0400DDh	Port P7_6 Function Select Register	P7_6S	X0XX X000b
0400DEh	Port P6_7 Function Select Register	P6_7S	X0XX X000b
0400DFh	Port P7_7 Function Select Register	P7_7S	X0XX X000b
0400E0h	Port P8_0 Function Select Register	P8_0S	X0XX X000b
0400E1h	Port P9_0 Function Select Register	P9_0S	X0XX X000b
0400E2h	Port P8_1 Function Select Register	P8_1S	X0XX X000b
0400E3h	Port P9_1 Function Select Register	P9_1S	X0XX X000b
0400E4h	Port P8_2 Function Select Register	P8_2S	X0XX X000b
0400E5h	Port P9_2 Function Select Register	P9_2S	X0XX X000b
0400E6h	Port P8_3 Function Select Register	P8_3S	X0XX X000b
0400E7h	Port P9_3 Function Select Register	P9_3S	00XX X000b
0400E8h	Port P8_4 Function Select Register	P8_4S	XXXX X000b
0400E9h	Port P9_4 Function Select Register	P9_4S	00XX X000b
0400EAh			
0400EBh	Port P9_5 Function Select Register	P9_5S	00XX X000b
0400ECh	Port P8_6 Function Select Register	P8_6S	XXXX X000b
0400EDh	Port P9_6 Function Select Register	P9_6S	00XX X000b
0400EEh	Port P8_7 Function Select Register	P8_7S	XXXX X000b
0400EFh	Port P9_7 Function Select Register	P9_7S	X0XX X000b

X: Undefined

Blanks are reserved. No access is allowed.

Table 4.22 SFR List (22)

Address	Register	Symbol	Reset Value
0400F0h	Port P10_0 Function Select Register	P10_0S	0XXX X000b
0400F1h	Port P11_0 Function Select Register	P11_0S	X0XX X000b
0400F2h	Port P10_1 Function Select Register	P10_1S	0XXX X000b
0400F3h	Port P11_1 Function Select Register	P11_1S	X0XX X000b
0400F4h	Port P10_2 Function Select Register	P10_2S	0XXX X000b
0400F5h	Port P11_2 Function Select Register	P11_2S	X0XX X000b
0400F6h	Port P10_3 Function Select Register	P10_3S	0XXX X000b
0400F7h	Port P11_3 Function Select Register	P11_3S	X0XX X000b
0400F8h	Port P10_4 Function Select Register	P10_4S	0XXX X000b
0400F9h	Port P11_4 Function Select Register	P11_4S	XXXX X000b
0400FAh	Port P10_5 Function Select Register	P10_5S	0XXX X000b
0400FBh			
0400FCh	Port P10_6 Function Select Register	P10_6S	0XXX X000b
0400FDh			
0400FEh	Port P10_7 Function Select Register	P10_7S	0XXX X000b
0400FFh			
040100h	Port P12_0 Function Select Register	P12_0S	X0XX X000b
040101h	Port P13_0 Function Select Register	P13_0S	XXXX X000b
040102h	Port P12_1 Function Select Register	P12_1S	X0XX X000b
040103h	Port P13_1 Function Select Register	P13_1S	XXXX X000b
040104h	Port P12_2 Function Select Register	P12_2S	X0XX X000b
040105h	Port P13_2 Function Select Register	P13_2S	XXXX X000b
040106h	Port P12_3 Function Select Register	P12_3S	X0XX X000b
040107h	Port P13_3 Function Select Register	P13_3S	XXXX X000b
040108h	Port P12_4 Function Select Register	P12_4S	XXXX X000b
040109h	Port P13_4 Function Select Register	P13_4S	XXXX X000b
04010Ah	Port P12_5 Function Select Register	P12_5S	XXXX X000b
04010Bh	Port P13_5 Function Select Register	P13_5S	XXXX X000b
04010Ch	Port P12_6 Function Select Register	P12_6S	XXXX X000b
04010Dh	Port P13_6 Function Select Register	P13_6S	XXXX X000b
04010Eh	Port P12_7 Function Select Register	P12_7S	XXXX X000b
04010Fh	Port P13_7 Function Select Register	P13_7S	XXXX X000b
040110h			
040111h	Port P15_0 Function Select Register	P15_0S	00XX X000b
040112h			
040113h	Port P15_1 Function Select Register	P15_1S	00XX X000b
040114h			
040115h	Port P15_2 Function Select Register	P15_2S	00XX X000b
040116h	Port P14_3 Function Select Register	P14_3S	XXXX X000b
040117h	Port P15_3 Function Select Register	P15_3S	00XX X000b
040118h	Port P14_4 Function Select Register	P14_4S	XXXX X000b
040119h	Port P15_4 Function Select Register	P15_4S	00XX X000b
04011Ah	Port P14_5 Function Select Register	P14_5S	XXXX X000b
04011Bh	Port P15_5 Function Select Register	P15_5S	00XX X000b
04011Ch	Port P14_6 Function Select Register	P14_6S	XXXX X000b
04011Dh	Port P15_6 Function Select Register	P15_6S	00XX X000b
04011Eh			
04011Fh	Port P15_7 Function Select Register	P15_7S	00XX X000b

X: Undefined

Blanks are reserved. No access is allowed.

Table 4.23 SFR List (23)

Address	Register	Symbol	Reset Value
040120h to 04403Fh			
044040h			
044041h			
044042h			
044043h			
044044h			
044045h			
044046h			
044047h			
044048h			
044049h			
04404Ah			
04404Bh			
04404Ch			
04404Dh			
04404Eh	Watchdog Timer Start Register	WDTS	XXXX XXXXb
04404Fh	Watchdog Timer Control Register	WDC	000X XXXXb
044050h			
044051h			
044052h			
044053h			
044054h			
044055h			
044056h			
044057h			
044058h			
044059h			
04405Ah			
04405Bh			
04405Ch			
04405Dh			
04405Eh			
04405Fh	Protect Register 2	PRCR2	0XXX XXXXb

X: Undefined

Blanks are reserved. No access is allowed.

Table 4.24 SFR List (24)

Address	Register	Symbol	Reset Value
044060h			
044061h			
044062h			
044063h			
044064h			
044065h			
044066h			
044067h			
044068h			
044069h			
04406Ah			
04406Bh			
04406Ch			
04406Dh	External Interrupt Request Source Select Register 1	IFSR1	X0XX X000b
04406Eh			
04406Fh	External Interrupt Request Source Select Register 0	IFSR0	0000 0000b
044070h	DMA0 Request Source Select Register 2	DM0SL2	XX00 0000b
044071h	DMA1 Request Source Select Register 2	DM1SL2	XX00 0000b
044072h	DMA2 Request Source Select Register 2	DM2SL2	XX00 0000b
044073h	DMA3 Request Source Select Register 2	DM3SL2	XX00 0000b
044074h			
044075h			
044076h			
044077h			
044078h	DMA0 Request Source Select Register	DM0SL	XXX0 0000b
044079h	DMA1 Request Source Select Register	DM1SL	XXX0 0000b
04407Ah	DMA2 Request Source Select Register	DM2SL	XXX0 0000b
04407Bh	DMA3 Request Source Select Register	DM3SL	XXX0 0000b
04407Ch			
04407Dh	Wake-up IPL Setting Register 2	RIPL2	XX0X 0000b
04407Eh			
04407Fh	Wake-up IPL Setting Register 1	RIPL1	XX0X 0000b
044080h			
044081h			
044082h			
044083h			
044084h			
044085h			
044086h			
044087h			
044088h			
044089h			
04408Ah			
04408Bh			
04408Ch			
04408Dh			
04408Eh			
04408Fh			

X: Undefined

Blanks are reserved. No access is allowed.

Table 4.25 SFR List (25)

Address	Register	Symbol	Reset Value
044090h to 0443FFh			
044400h	I ² C-bus Transmit/Receive Shift Register	I2CTRSR	XXh
044401h			
044402h	I ² C-bus Slave Address Register	I2CSAR	00h
044403h	I ² C-bus Control Register 0	I2CCR0	0000 0000b
044404h	I ² C-bus Clock Control Register	I2CCCR	0000 0000b
044405h	I ² C-bus START and STOP Conditions Control Register	I2CSSCR	0001 1010b
044406h	I ² C-bus Control Register 1	I2CCR1	0011 0000b
044407h	I ² C-bus Control Register 2	I2CCR2	0X00 0000b
044408h	I ² C-bus Status Register	I2CSR	0001 000Xb
044409h			
04440Ah			
04440Bh			
04440Ch			
04440Dh			
04440Eh			
04440Fh			
044410h	I ² C-bus Mode Register	I2CMR	XXXX 0000b
044411h			
044412h			
044413h			
044414h			
044415h			
044416h			
044417h			
044418h			
044419h			
04441Ah			
04441Bh			
04441Ch			
04441Dh			
04441Eh			
04441Fh			
044420h to 04FFFFh			

X: Undefined

Blanks are reserved. No access is allowed.

5. Resets

There are three types of operations for resetting the MCU: hardware reset, software reset, and watchdog timer reset.

5.1 Hardware Reset

A hardware reset is generated when a low signal is applied to the $\overline{\text{RESET}}$ pin under the recommended operating conditions of the supply voltage. When the $\overline{\text{RESET}}$ pin is driven low, all pins, and oscillators are reset (refer to Table 5.1 for details), and the main clock starts oscillating. The CPU and SFRs are reset by a low-to-high transition on the $\overline{\text{RESET}}$ pin. Then, the CPU starts executing the program from the address indicated by the reset vector. Internal RAM is not affected by a hardware reset. However, if a hardware reset occurs during a write operation to the internal RAM, the value is undefined.

Figure 5.1 shows an example of the reset circuit. Figure 5.2 shows the reset sequence. Table 5.1 lists pin states while the $\overline{\text{RESET}}$ pin is held low. Figure 5.3 shows CPU register states after a reset. Refer to 4. “Special Function Registers (SFRs)” for details on the states of SFRs after a reset.

A. Reset when the supply voltage is stable

- (1) Drive the $\overline{\text{RESET}}$ pin low.
- (2) Input at least 20 clock cycles to the XIN pin.
- (3) Drive the $\overline{\text{RESET}}$ pin high.

B. Reset when turning on the power

- (1) Drive the $\overline{\text{RESET}}$ pin low.
- (2) Raise the supply voltage to the recommended operating voltage.
- (3) Wait $t_d(\text{P-R})$ ms until the internal voltage is stabilized.
- (4) Input at least 20 clock cycles to the XIN pin.
- (5) Drive the $\overline{\text{RESET}}$ pin high.

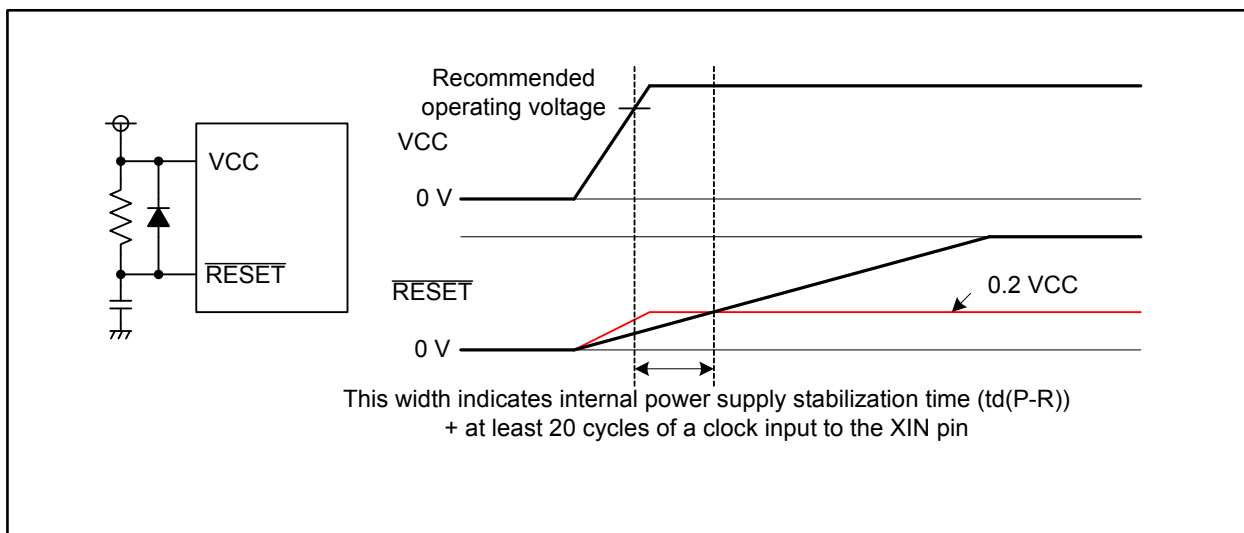


Figure 5.1 Reset Circuitry

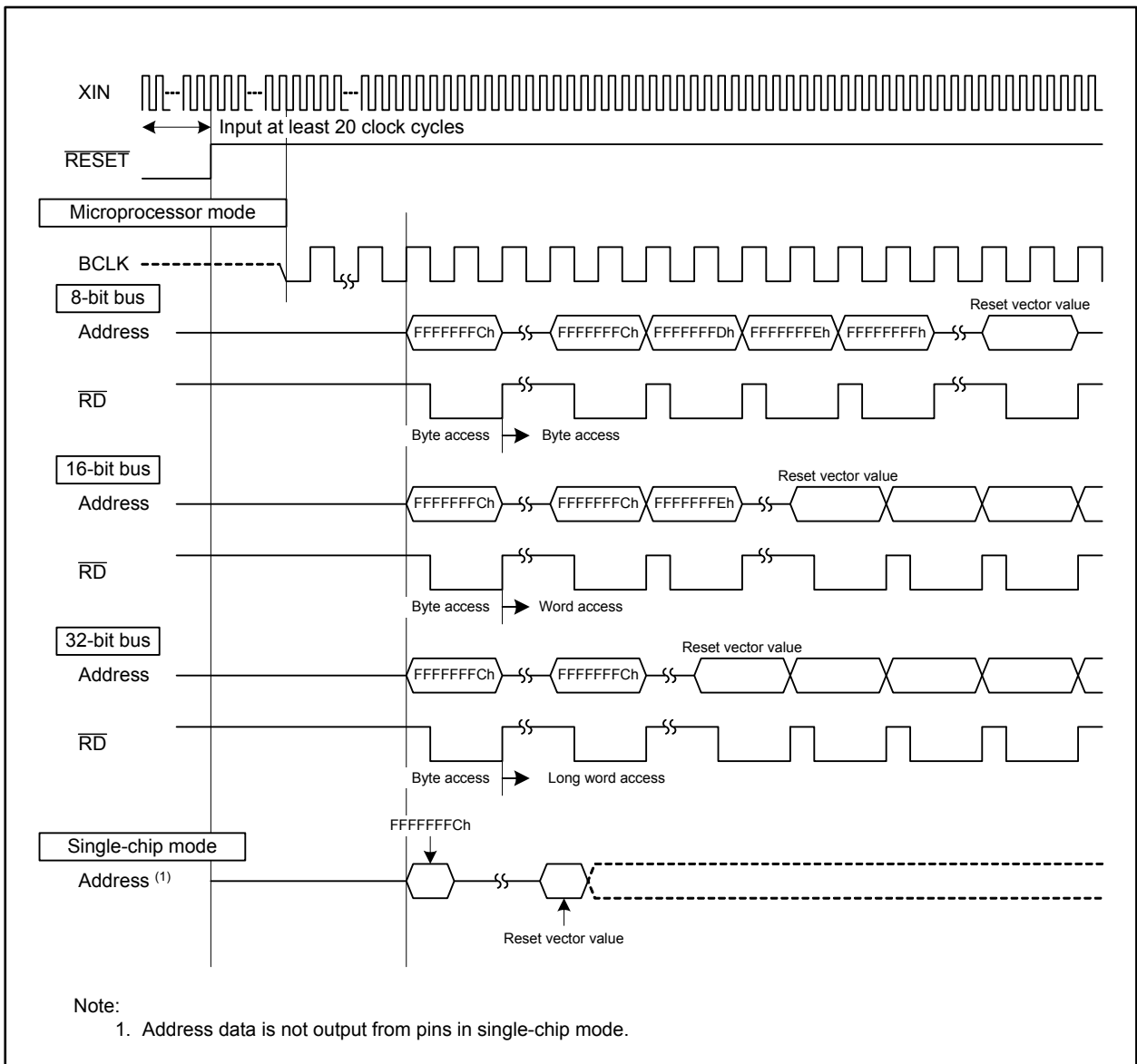


Figure 5.2 Reset Sequence

Table 5.1 Pin States while $\overline{\text{RESET}}$ Pin is Held Low (1)

Pin Name	Pin States	
	CNVSS = VSS	CNVSS = VCC
P0	Input port (high-impedance)	Inputs data
P1	Input port (high-impedance)	Input port (high-impedance)
P2, P3	Input port (high-impedance)	Output addresses (undefined)
P4_0 to P4_6	Input port (high-impedance)	Output addresses (undefined)
P4_7	Input port (high-impedance)	Outputs the $\overline{\text{CS0}}$ signal (high)
P5_0	Input port (high-impedance)	Outputs the $\overline{\text{WR}}$ signal (high)
P5_1	Input port (high-impedance)	Outputs the $\overline{\text{BC1}}$ signal (undefined)
P5_2	Input port (high-impedance)	Outputs the $\overline{\text{RD}}$ signal (high)
P5_3	Input port (high-impedance)	Outputs BCLK (2)
P5_4	Input port (high-impedance)	Outputs the $\overline{\text{HLDA}}$ signal (output signal depends on an input signal to the $\overline{\text{HOLD}}$ pin) (2)
P5_5	Input port (high-impedance)	Inputs the $\overline{\text{HOLD}}$ signal (high-impedance)
P5_6	Input port (high-impedance)	Outputs the $\overline{\text{CS2}}$ signal (high)
P5_7	Input port (high-impedance)	Inputs the $\overline{\text{RDY}}$ signal (high-impedance)
P6 to P15 (3)	Input port (high-impedance)	Input port (high-impedance)

Notes:

1. Whether a pull-up resistor is enabled or not is undefined until the internal voltage is stabilized.
2. State after power is on and the internal voltage has stabilized. It is undefined until the internal voltage is stabilized
3. Ports P11 to P15 are available in the 144-pin package only.

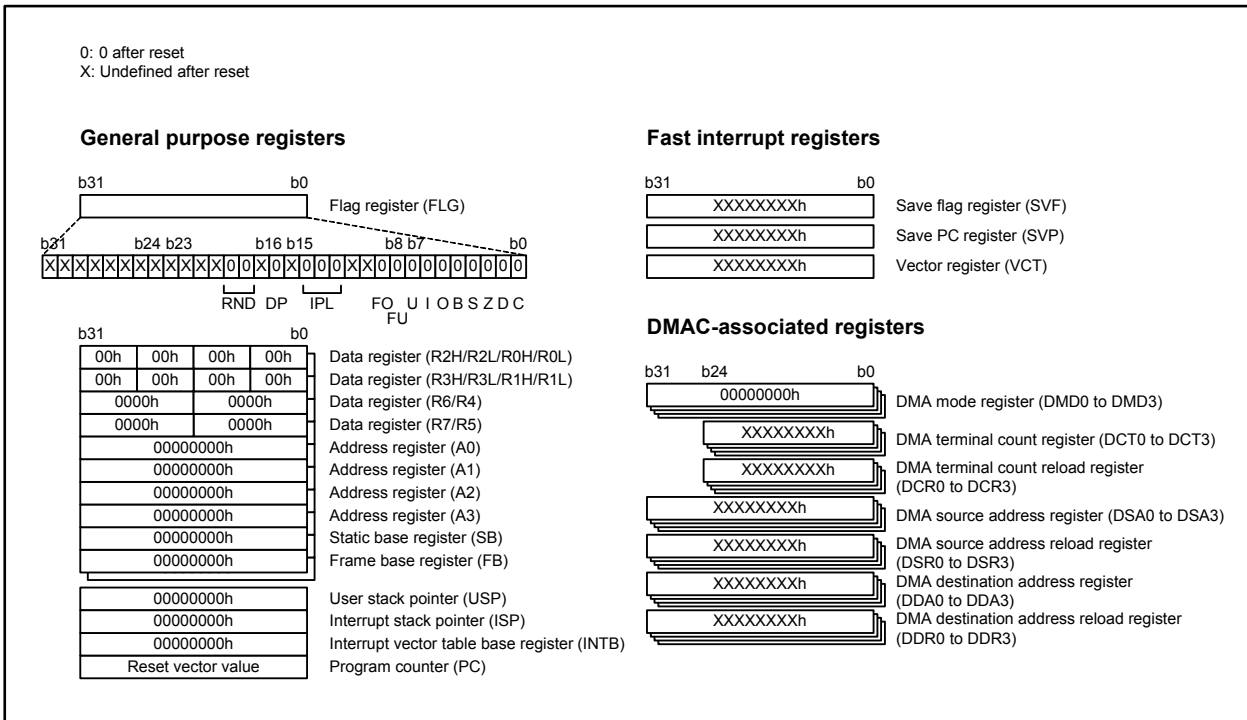


Figure 5.3 CPU Registers after Reset

5.2 Software Reset

The CPU, SFRs, and pins are reset when the PM03 bit in the PM0 register is set to 1 (the MCU is reset). Then, the CPU executes the program from the address indicated by the reset vector.

Set the PM03 bit to 1 while the PLL clock is selected as the CPU clock source and the main clock oscillation is completely stable.

There is no change in processor mode since bits PM01 and PM00 in the PM0 register are not affected by a software reset.

5.3 Watchdog Timer Reset

The CPU, SFRs, and pins are reset when the watchdog timer underflows while the CM06 bit in the CM0 register is 1 (reset when watchdog timer underflows). Then, the CPU executes the program from the address indicated by the reset vector.

There is no change in processor mode since bits PM01 and PM00 in the PM0 register are not affected by a watchdog timer reset.

5.4 Reset Vector

The reset vector in the R32C/100 Series is configured as shown in Figure 5.4.

The start address of a program consists of the upper 30 bits of the reset vector and 00b as lower 2 bits.

The lower 2 bits of the reset vector are bits to select the external bus width in microprocessor mode.

Therefore, the start address of a program requires 4-byte alignment so that the lower 2 bits are 00b.

In single-chip mode, set the external bus width select bits to 00b.

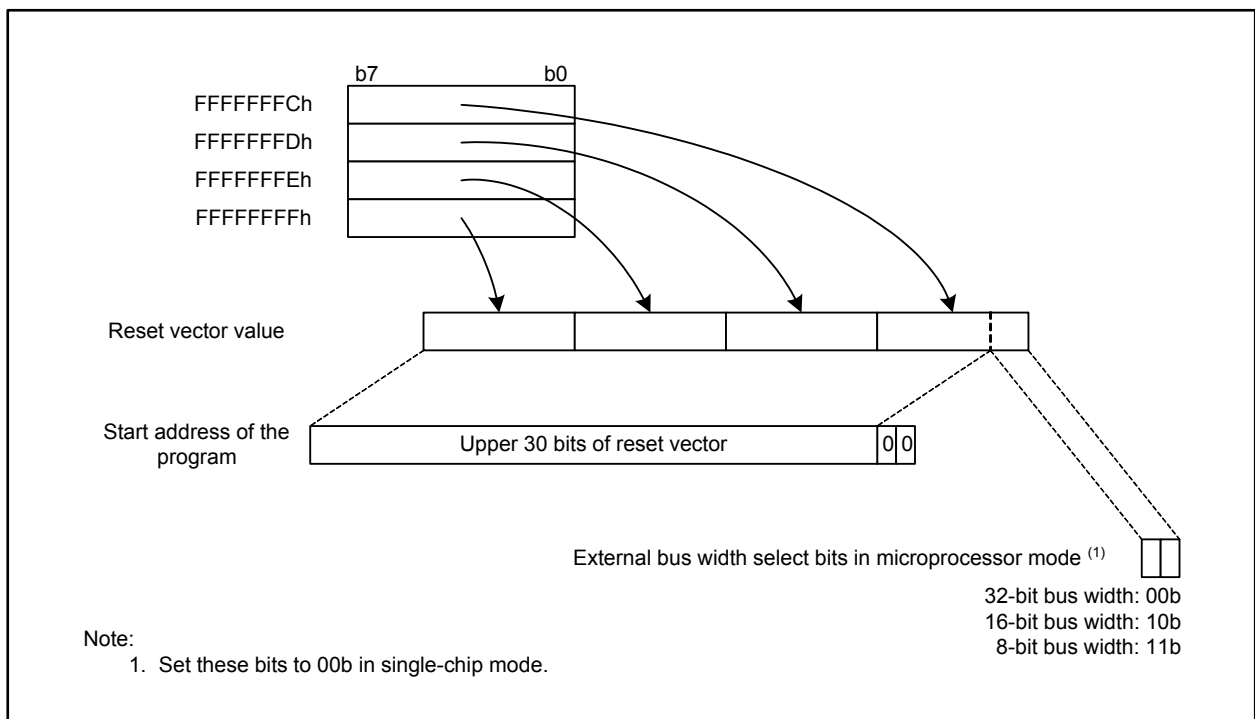


Figure 5.4 Reset Vector Configuration

6. Power Management

6.1 Voltage Regulators for Internal Logic

The supply voltage for internal logic is generated by reducing the input voltage from the VCC pin with the voltage regulators. Figure 6.1 shows a block diagram of the voltage regulators for internal logic, and Figure 6.2 shows the VRCCR register.

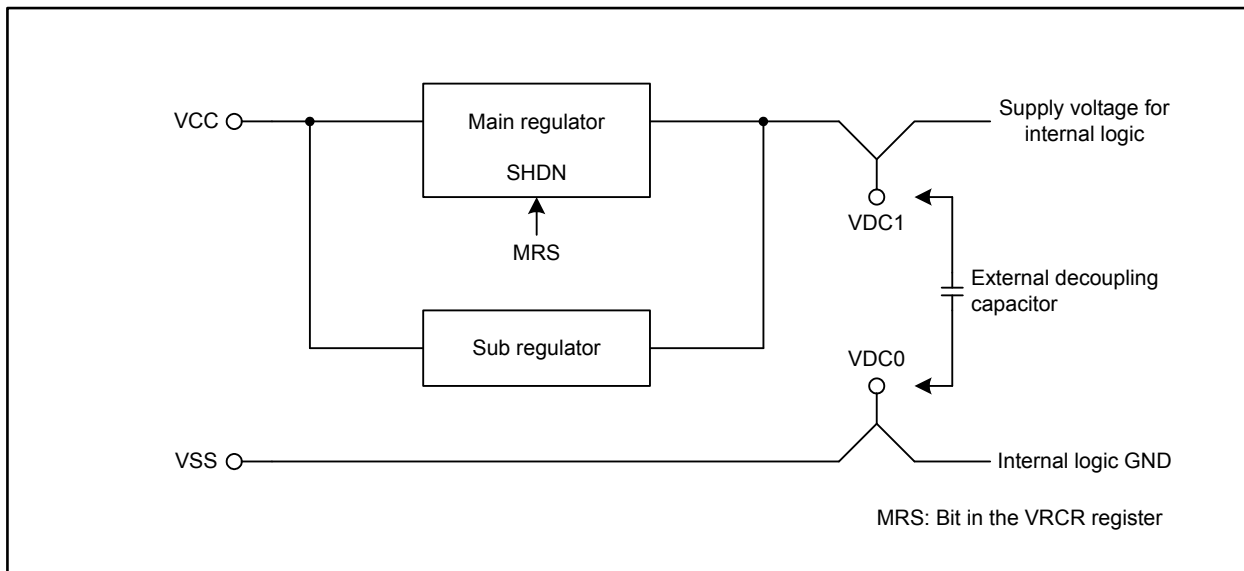


Figure 6.1 Block Diagram of Voltage Regulators for Internal Logic

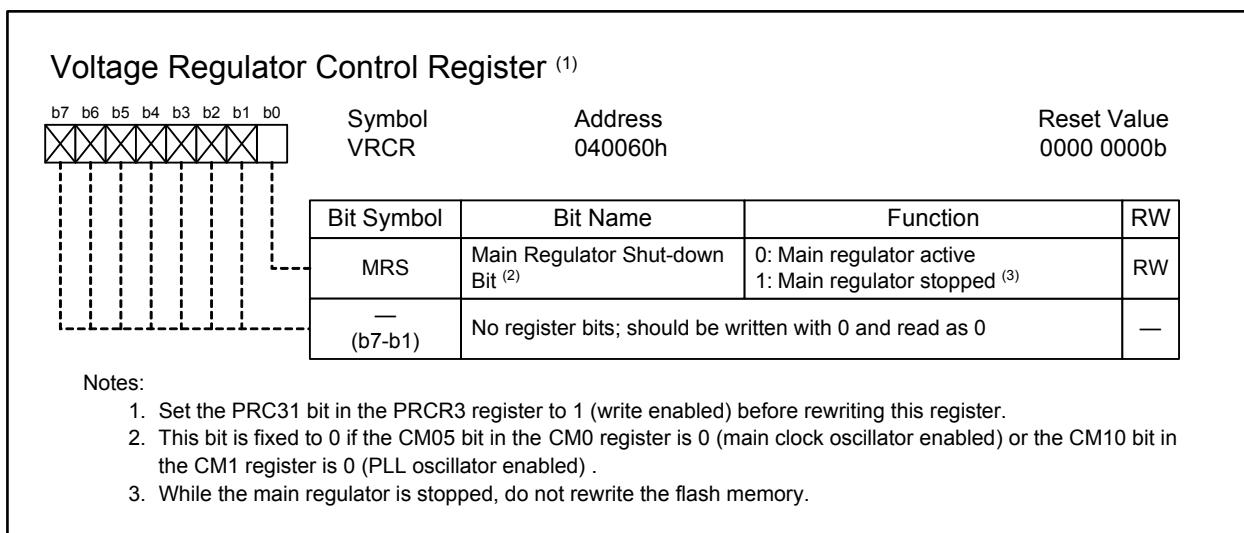


Figure 6.2 VRCCR Register

6.1.1 Decoupling Capacitor

An external decoupling capacitor is required to stabilize internal voltage. The capacitor should be beneficially effective at higher frequencies and maintain a more stable capacitance irrespective of temperature change. In general, ceramic capacitors are recommended. The capacitance varies by conditions such as operating temperature, DC bias, and aging. To select an appropriate capacitor, these conditions should be considered. Also, refer to the recommended capacitor specifications listed in Table 6.1.

The traces between the capacitor and the VDC1/VDC0 pins should be as short and wide as physically possible.

Table 6.1 Recommended Capacitor Specifications

Applicable standard		Temperature Characteristics		Rated Voltage (V)	Nominal Capacitance (μ F)	Capacitance Tolerance (%)
		Operating temperature range ($^{\circ}$ C)	Capacitance change (%)			
B	JIS	-25 to 85	\pm 10	6.3 or higher	4.7	\pm 20 or better
R	JIS	-55 to 125	\pm 15	6.3 or higher	4.7	\pm 20 or better
X5R	EIA	-55 to 85	\pm 15	6.3 or higher	4.7	\pm 20 or better
X7R	EIA	-55 to 125	\pm 15	6.3 or higher	4.7	\pm 20 or better
X8R	EIA	-55 to 150	\pm 15	6.3 or higher	4.7	\pm 20 or better
X6S	EIA	-55 to 105	\pm 22	6.3 or higher	4.7	\pm 20 or better
X7S	EIA	-55 to 125	\pm 22	6.3 or higher	4.7	\pm 20 or better

6.2 Low Voltage Detector

The low voltage detector monitors the supply voltage input to the VCC pin.

This circuit is used to monitor the power supply upstream of the voltage regulators for internal logic and provide advanced warning that the power is about to fail. By providing a few milliseconds of advanced warning, the CPU can save any critical parameters to the flash memory and safely shut down.

Figure 6.3 shows a block diagram of the low voltage detector, and Figures 6.4 and 6.5 show registers associated with the circuit.

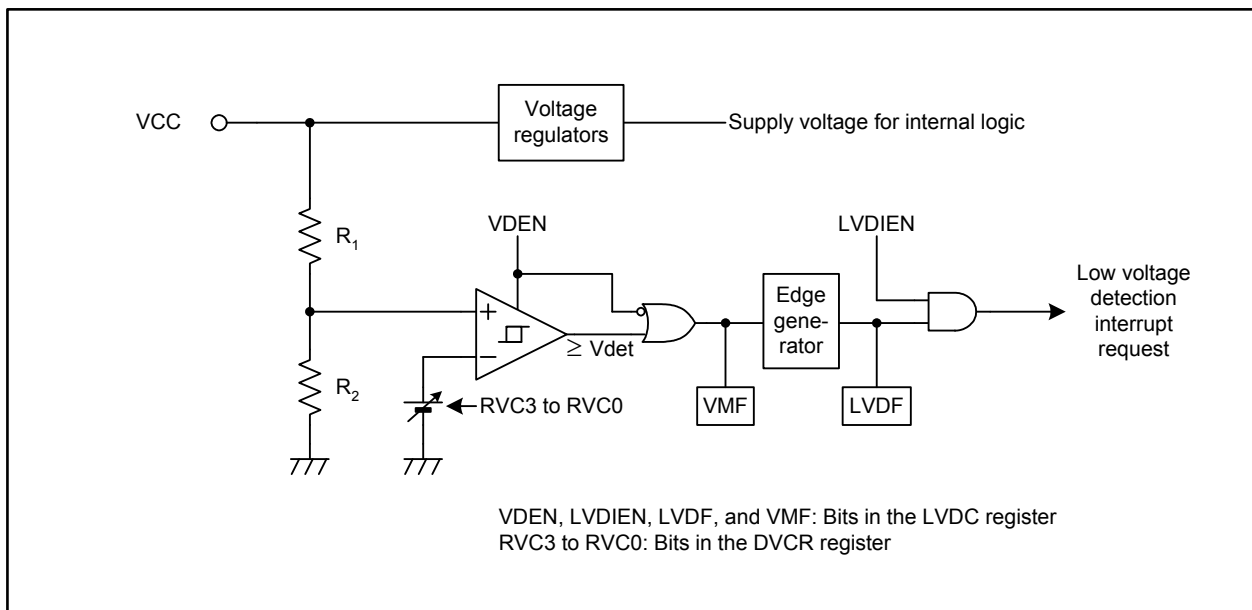


Figure 6.3 Low Voltage Detector Block Diagram

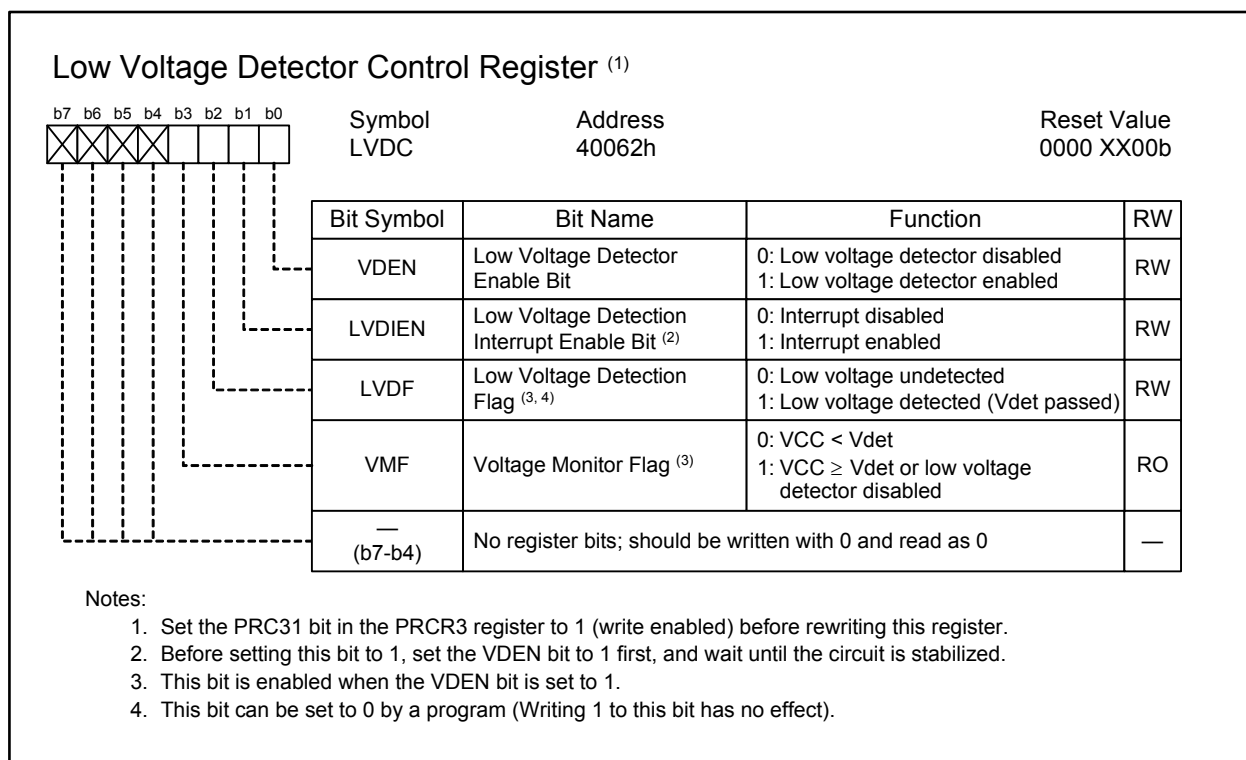


Figure 6.4 LVDC Register

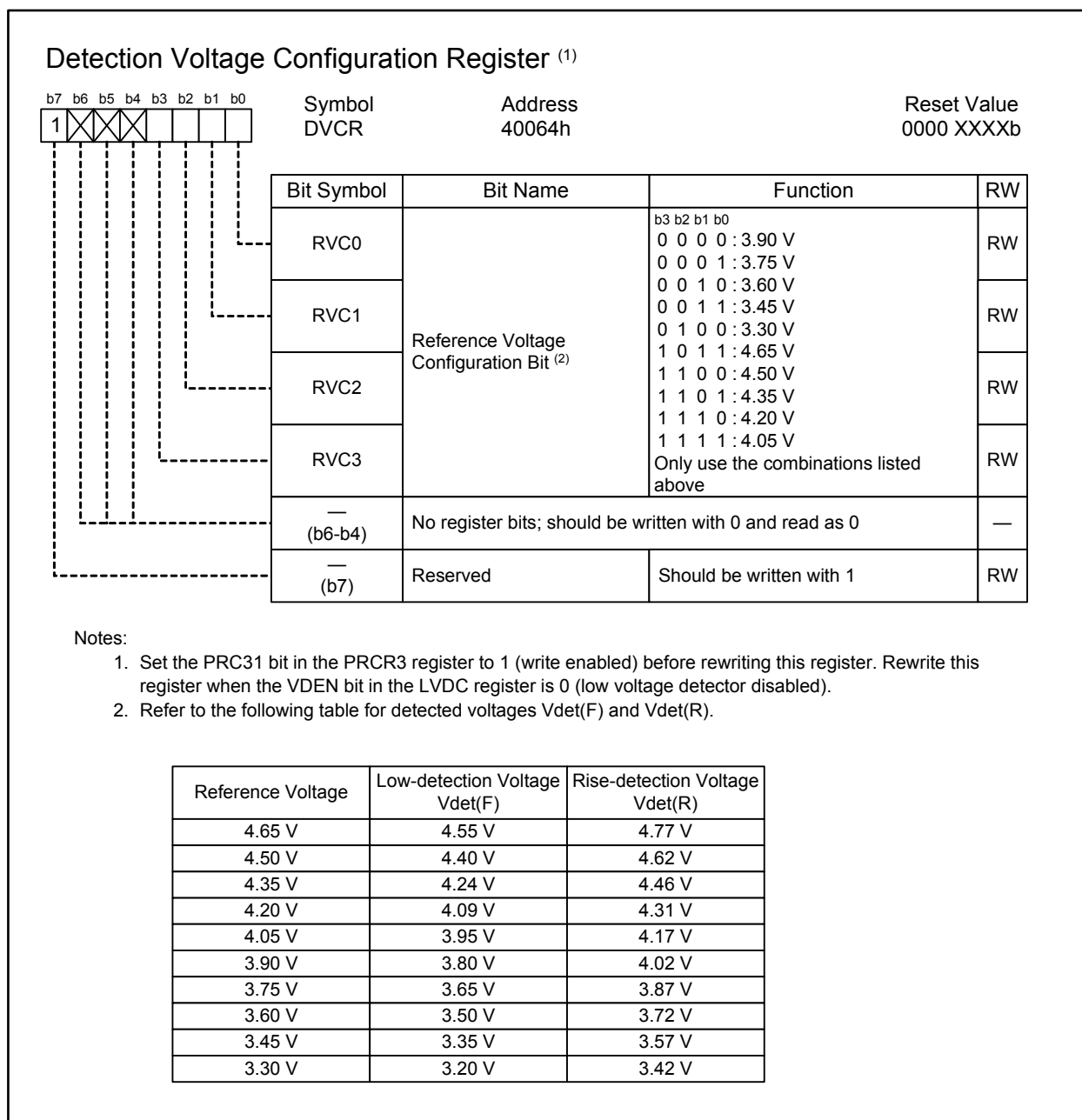


Figure 6.5 DVCR Register

6.2.1 Operational State of Low Voltage Detector

The low voltage detector starts operating stably after $t_d(E-A)$ when the VDEN bit in the LVDC register is set to 1 (low voltage detector enabled).

When the input voltage to the VCC pin drops below $V_{det}(F)$, the VMF bit becomes 0 ($VCC < V_{det}$) and the LVDF bit becomes 1 (low voltage detected (V_{det} passed)). At this point an interrupt request is generated when the LVDIEN bit is 1 (low voltage detection interrupt enabled). Set the LVDF bit to 0 (low voltage undetected) by a program.

When the voltage rises to or above $V_{det}(R)$ again, the VMF bit becomes 1 ($VCC \geq V_{det}$) and the LVDF bit becomes 1. At this point an interrupt request is generated when the LVDIEN bit is 1.

Figure 6.6 shows the operation of the low voltage detector.

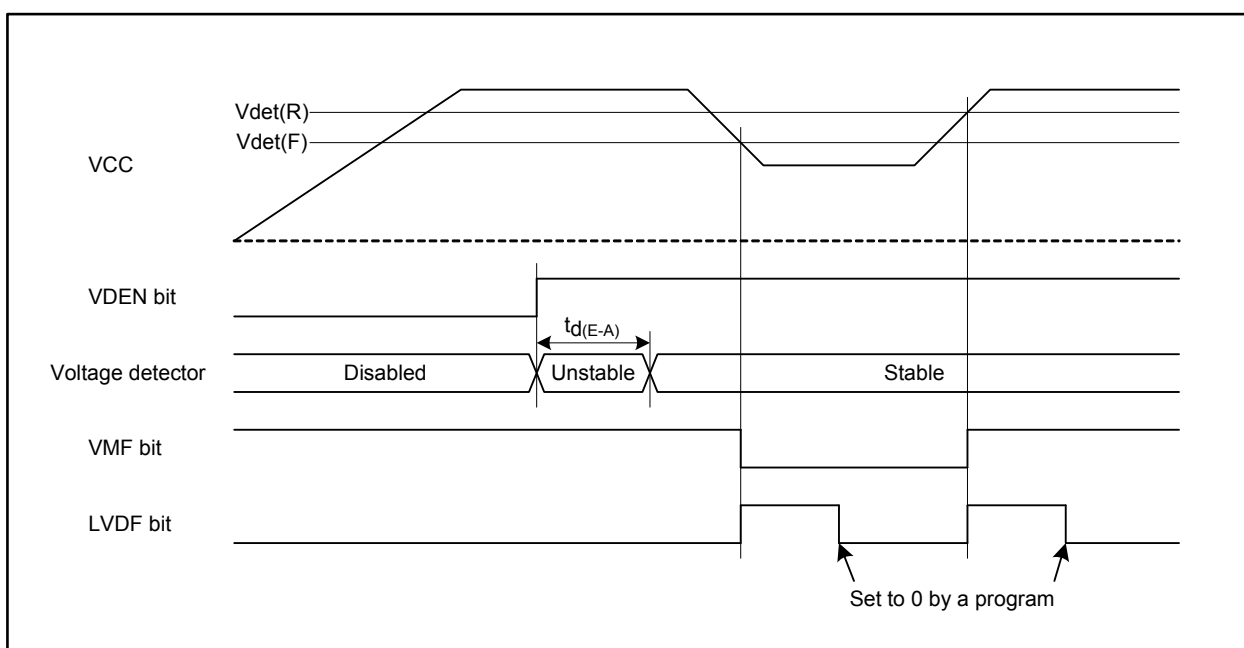


Figure 6.6 Low Voltage Detector Operation

6.2.2 Low Voltage Detection Interrupt

A low voltage detection interrupt request is generated when the input voltage at the VCC pin rises to or above the $V_{det}(R)$ level, or falls below the $V_{det}(F)$ level while the LVDIEN bit in the LVDC register is 1 (low voltage detection interrupt enabled).

This interrupt shares the interrupt vector with the watchdog timer interrupt and oscillator stop detection interrupt. When using the low voltage detection interrupt with these interrupts at the same time, read the LVDF bit in the LVDC register in the interrupt handler and confirm that the low voltage detection interrupt has been occurred.

The LVDF bit becomes 1 when the input voltage at the VCC pin passes the $V_{det}(R)$ level or $V_{det}(F)$ level. When the LVDF bit changes from 0 to 1, a low voltage detection interrupt request is generated. Set this bit to 0 (low voltage undetected) by a program.

6.2.3 Application Example of the Low Voltage Detector

Figure 6.7 shows an example of the low voltage detection interrupt.

The supply voltage for internal logic is generated by reducing the input voltage from the VCC pin with the voltage regulators. When the input voltage begins to fall, the internal voltage remains steady. However, as the VCC input voltage continues to fall, the supply voltage for the internal logic also begins to fall, which may affect MCU operation. Consequently, the system can be safely shut down between when the VCC input voltage begins to fall and when the supply voltage for internal logic begins to fall. The low voltage detection interrupt can be applied to detect the falling input voltage.

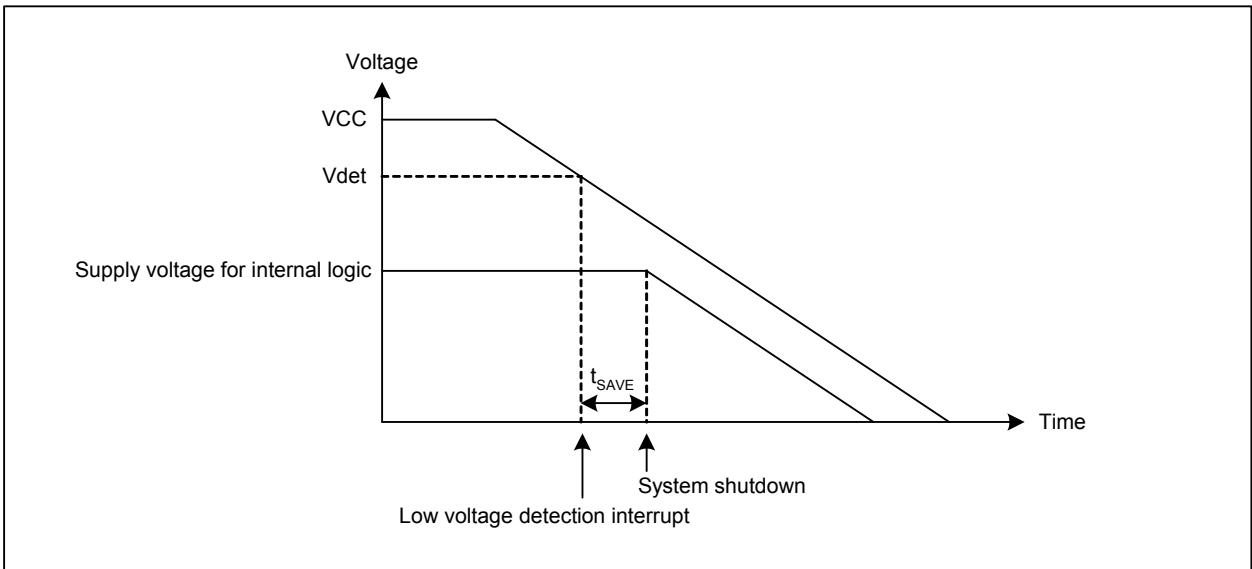


Figure 6.7 Example of the Low Voltage Detection Interrupt

7. Processor Mode

7.1 Types of Processor Modes

The R32C/100 Series supports three types of processor modes: single-chip mode, memory expansion mode, and microprocessor mode. Table 7.1 lists the characteristics of each processor mode.

Table 7.1 Processor Mode Characteristics

Processor Mode	Accessible Space	Pin State as I/O Ports
Single-chip mode	SFRs, internal RAM, internal ROM	All pins can be assigned to I/O ports or I/O pins for the peripheral functions
Memory expansion mode	SFRs, internal RAM, internal ROM, external space	Some pins are assigned to bus control pins ⁽¹⁾
Microprocessor mode	SFRs, internal RAM, external space	Some pins are assigned to bus control pins ⁽¹⁾

Note:

1. Refer to 9. "Bus" for details.

The R32C/116 Group supports two standard processor modes: single-chip mode and memory expansion mode. Microprocessor mode is optional. Contact a Renesas Electronics sales office to use this mode.

7.2 Processor Mode Setting

The processor mode to be used is selected by the CNVSS pin state and setting of bits PM01 and PM00 in the PM0 register. After a hardware reset, the operation starts in single-chip mode or microprocessor mode as shown in Table 7.2.

Table 7.2 Processor Mode after Hardware Reset

Input Level into the CNVSS Pin ⁽¹⁾	Processor Mode
Low	Single-chip mode
High	Microprocessor mode

Note:

1. The CNVSS pin should be connected to VCC or VSS via a resistor.

To change to memory expansion mode after starting an operation in single-chip mode, set bits PM01 and PM00 in the PM0 register to 01b (memory expansion mode). Note that the microprocessor mode, selected to start an operation, can be also changed to another mode by setting the bits mentioned above. In this case, however, the internal ROM is inaccessible in every changed mode.

Notes on changing processor mode are as follows:

1. When rewriting bits PM01 and PM00 to 01b (memory expansion mode) or 11b (microprocessor mode), do not change bits PM07 to PM02.
2. When rewriting bits PM07 to PM02, do not change bits PM01 and PM00.
3. Do not change the current mode to microprocessor mode while a program in the internal ROM is being executed.
4. Do not change the current mode to single-chip mode while a program in the external space is being executed.
5. Do not change microprocessor mode to memory expansion mode while a program in the same address as that assigned to the internal ROM is being executed.

Figure 7.1 shows the PM0 register and Figure 7.2 shows the memory map for each processor mode.

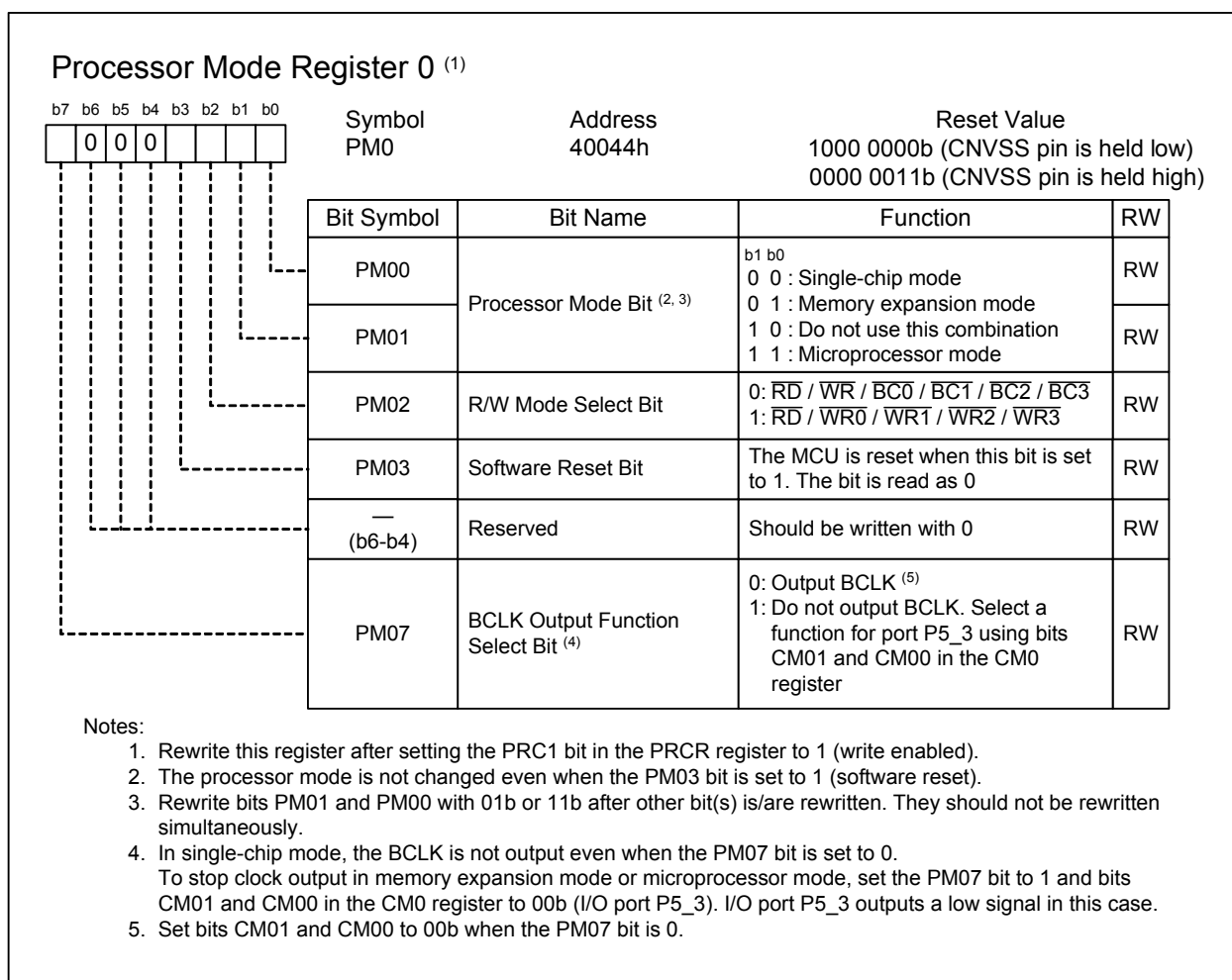


Figure 7.1 PM0 Register

	Single-chip Mode	Memory Expansion Mode	Microprocessor Mode
00000000h	SFRs	SFRs	SFRs
00000400h	Internal RAM	Internal RAM	Internal RAM
	Reserved (internal RAM)	Reserved (internal RAM)	Reserved (internal RAM)
00040000h	SFRs 2	SFRs 2	SFRs 2
00050000h	Reserved	Reserved	Reserved
00060000h	Data ROM	Data ROM	Data ROM
00062000h	Reserved (Internal ROM)	Reserved (Internal ROM)	Reserved (Internal ROM)
00080000h	Cannot be used ⁽¹⁾	External space 31.5 MB	External space 31.5 MB
02000000h		Cannot be used ⁽²⁾	Cannot be used ⁽²⁾
FE000000h		External space 30 MB	External space 32 MB
FFE00000h	Reserved (Internal ROM)		
FFFFFFFFh	Internal ROM	Internal ROM	

Notes:

1. This space cannot be externally expanded in single-chip mode.
2. This space cannot be used in any processor mode.

Figure 7.2 Memory Map of Each Processor Mode

8. Clock Generator

8.1 Clock Generator Types

The clock generator consists of four circuits:

- Main clock oscillator
- Sub clock oscillator
- PLL frequency synthesizer
- On-chip oscillator (OCO)

Table 8.1 lists the specifications of the clock generator. Figure 8.1 shows a block diagram of the clock generator, and Figures 8.2 to 8.10 show registers associated with clock control.

Table 8.1 Clock Generator Specifications

Item	Main Clock Oscillator	Sub Clock Oscillator	PLL Frequency Synthesizer	On-chip Oscillator
Used as	<ul style="list-style-type: none"> • PLL reference clock source • Peripheral clock source 	<ul style="list-style-type: none"> • CPU clock source • Clock source for timers A and B 	<ul style="list-style-type: none"> • CPU clock source • Peripheral clock source 	<ul style="list-style-type: none"> • CPU clock source • Clock source for timers A and B
Clock frequency	4 to 16 MHz	32.768 kHz	$f_{SO(PLL)}$ or $f_{(PLL)}$	Approx. 125 kHz
Connectable oscillators or additional circuits	Ceramic resonator Crystal oscillator	Crystal oscillator	—	—
Pins for oscillators or additional circuits	XIN, XOUT	XCIN, XCOU	—	—
Oscillator stop/restart function	Available	Available	Available	Available
Oscillator state after a reset	Running	Stopped	Running	Stopped
Note	Externally generated clock can be input	Externally generated clock can be input	When the main clock oscillator stops running, the PLL frequency synthesizer oscillates at its own frequency of $f_{SO(PLL)}$	

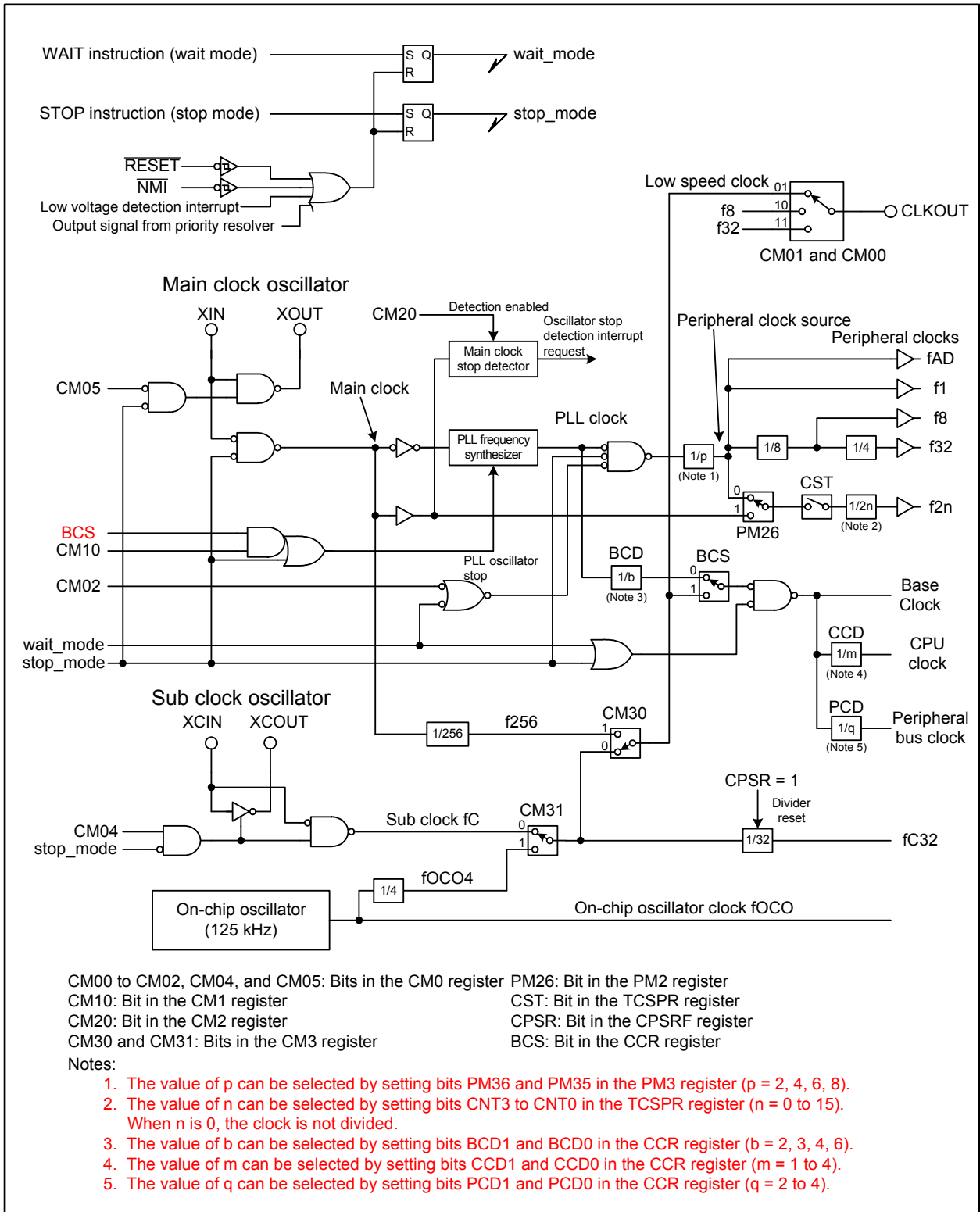


Figure 8.1 Clock Generation Circuitry

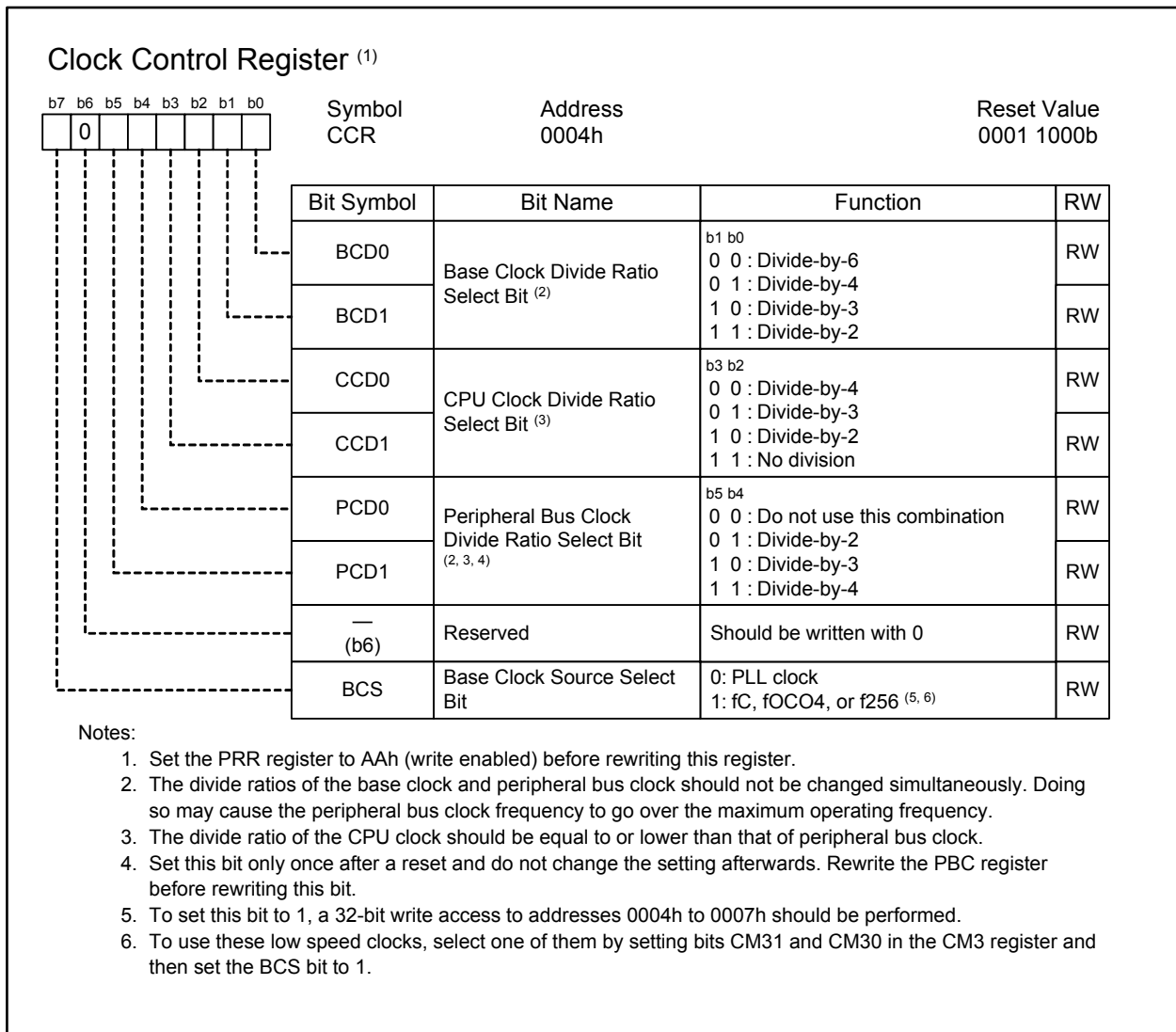


Figure 8.2 CCR Register

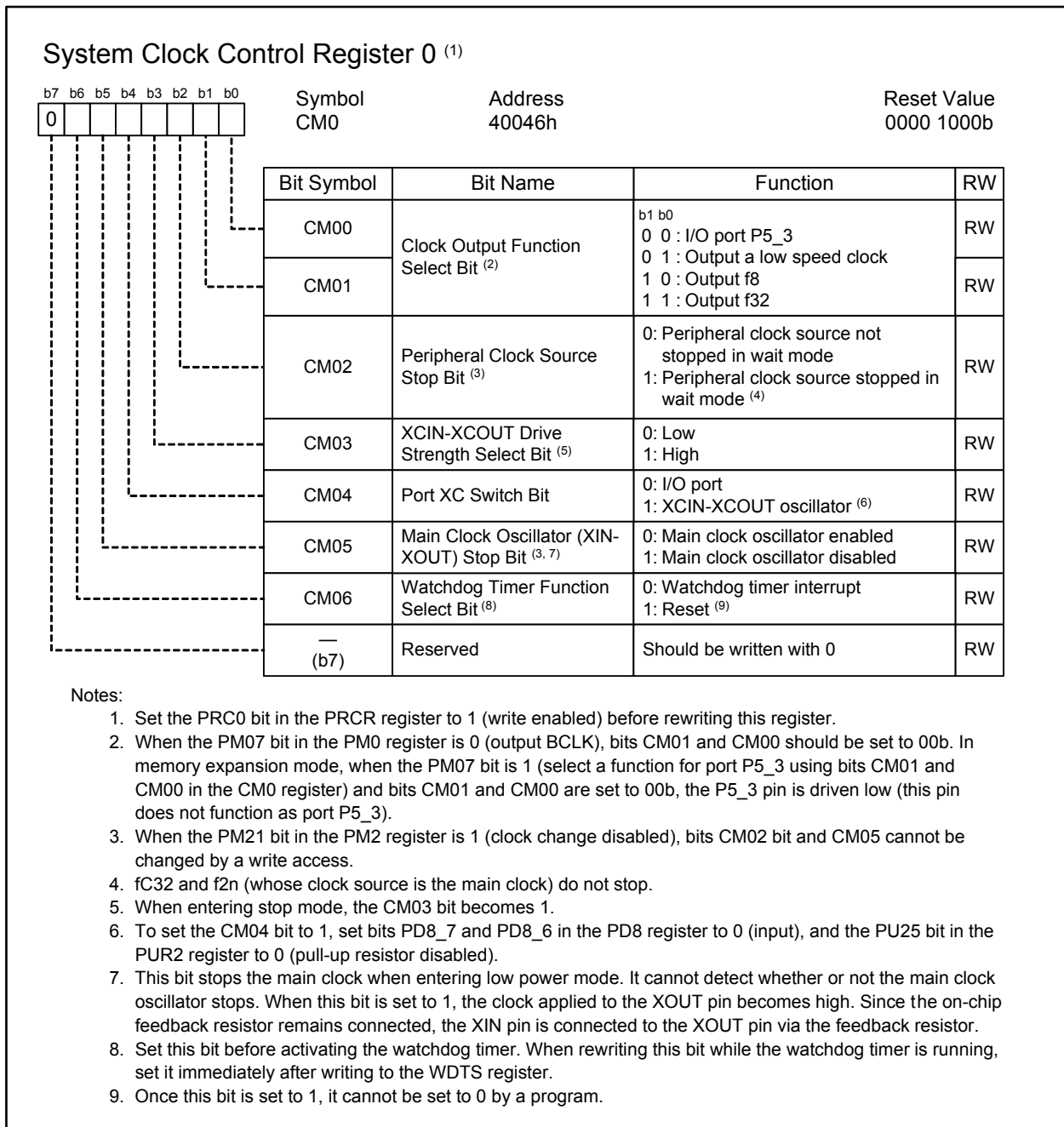


Figure 8.3 CM0 Register

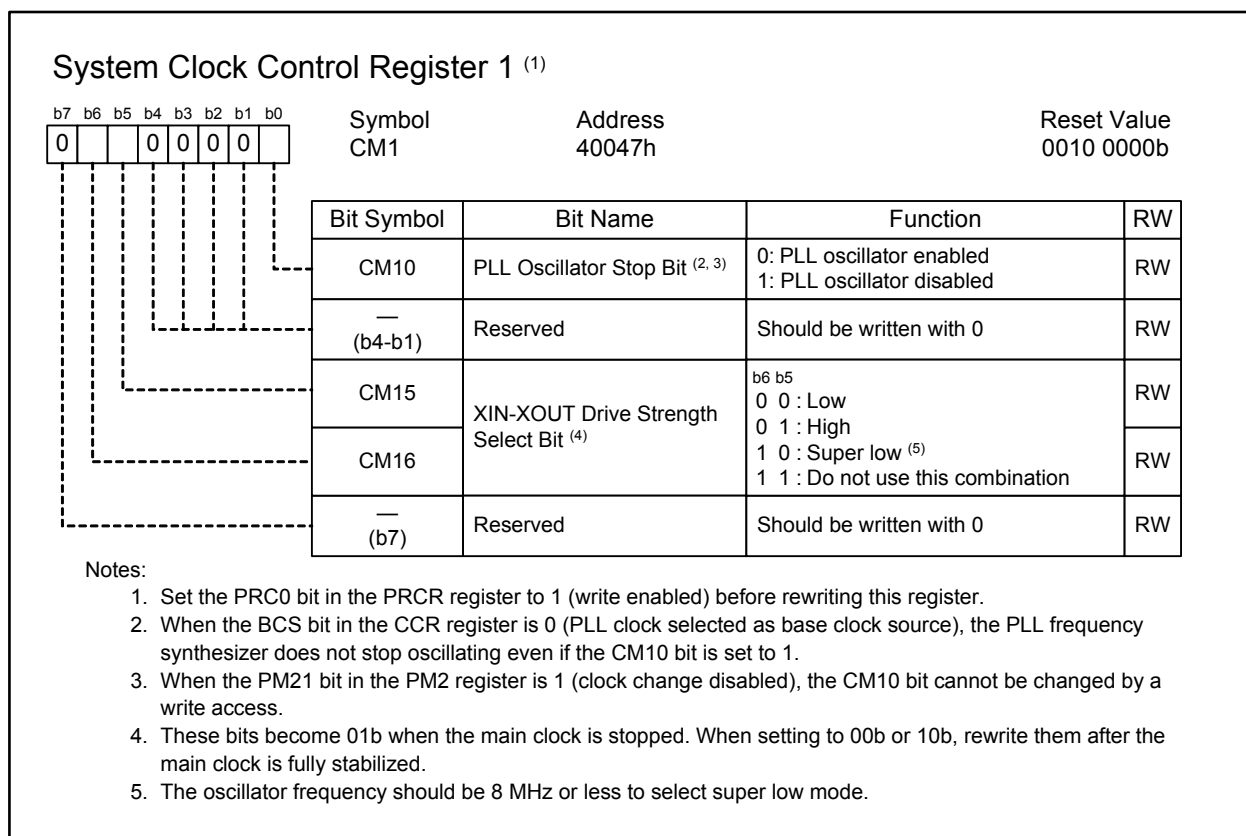


Figure 8.4 CM1 Register

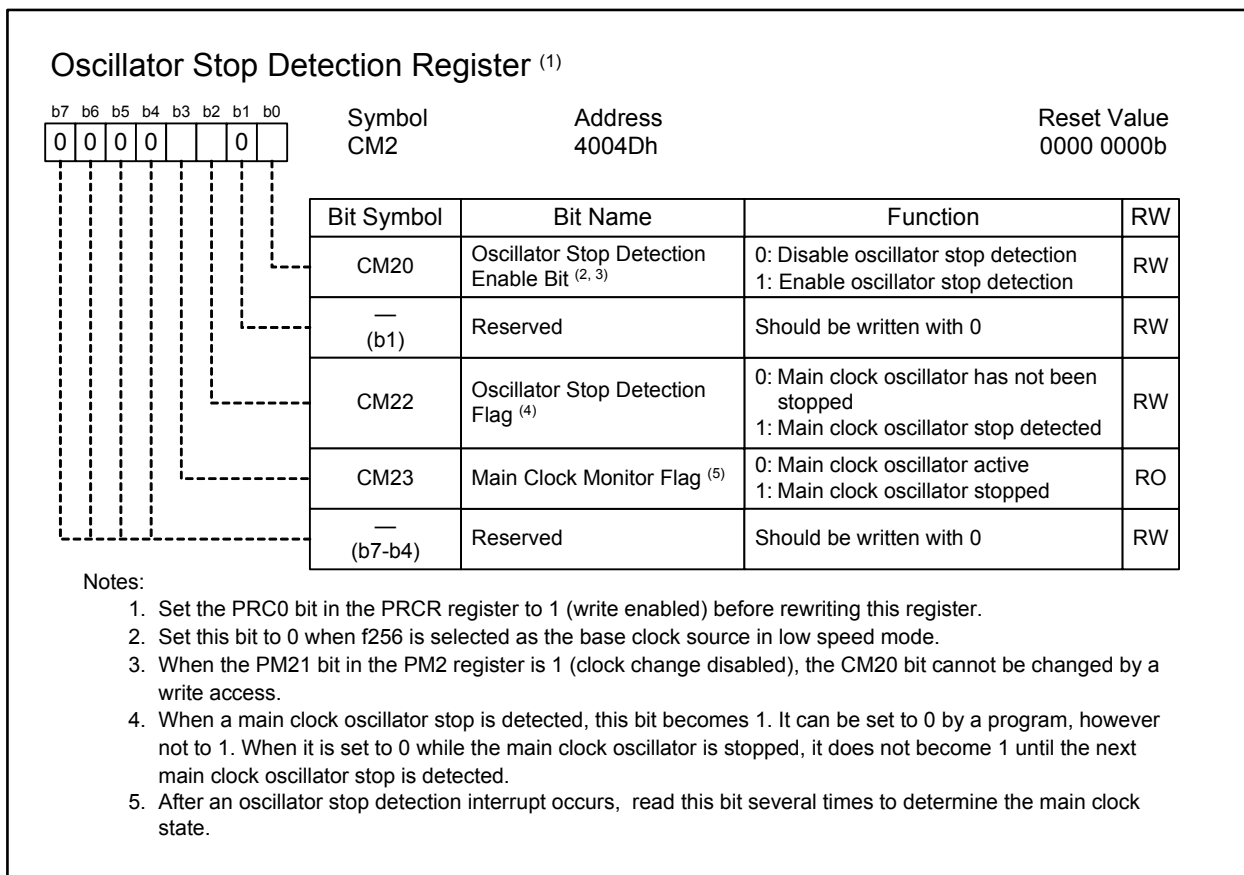


Figure 8.5 CM2 Register

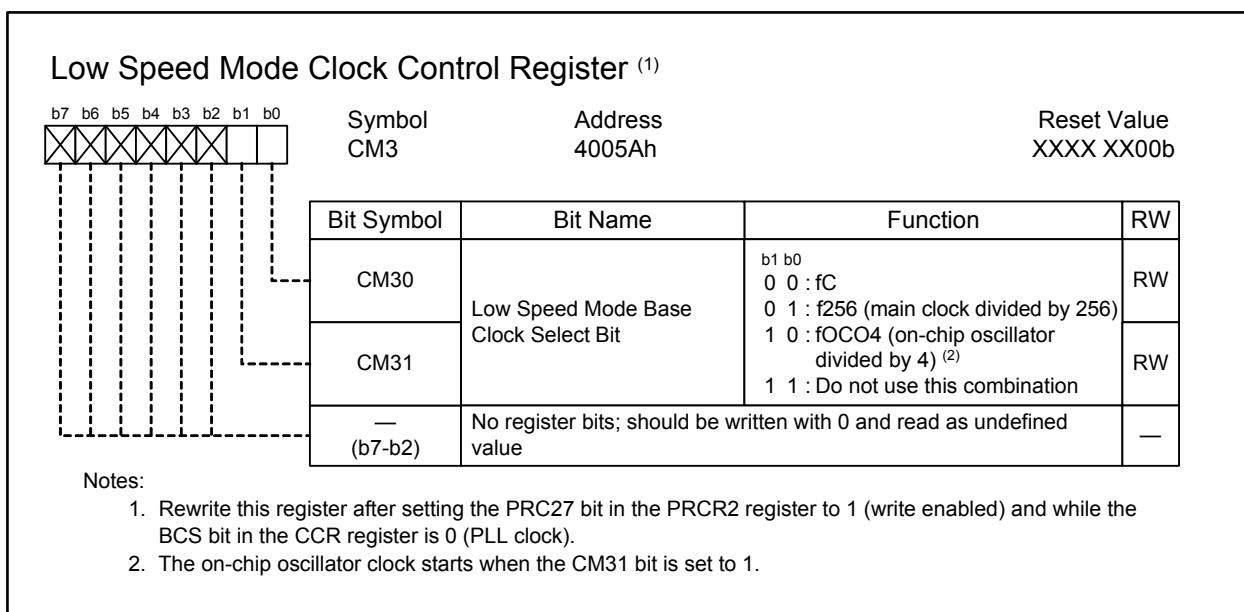


Figure 8.6 CM3 Register

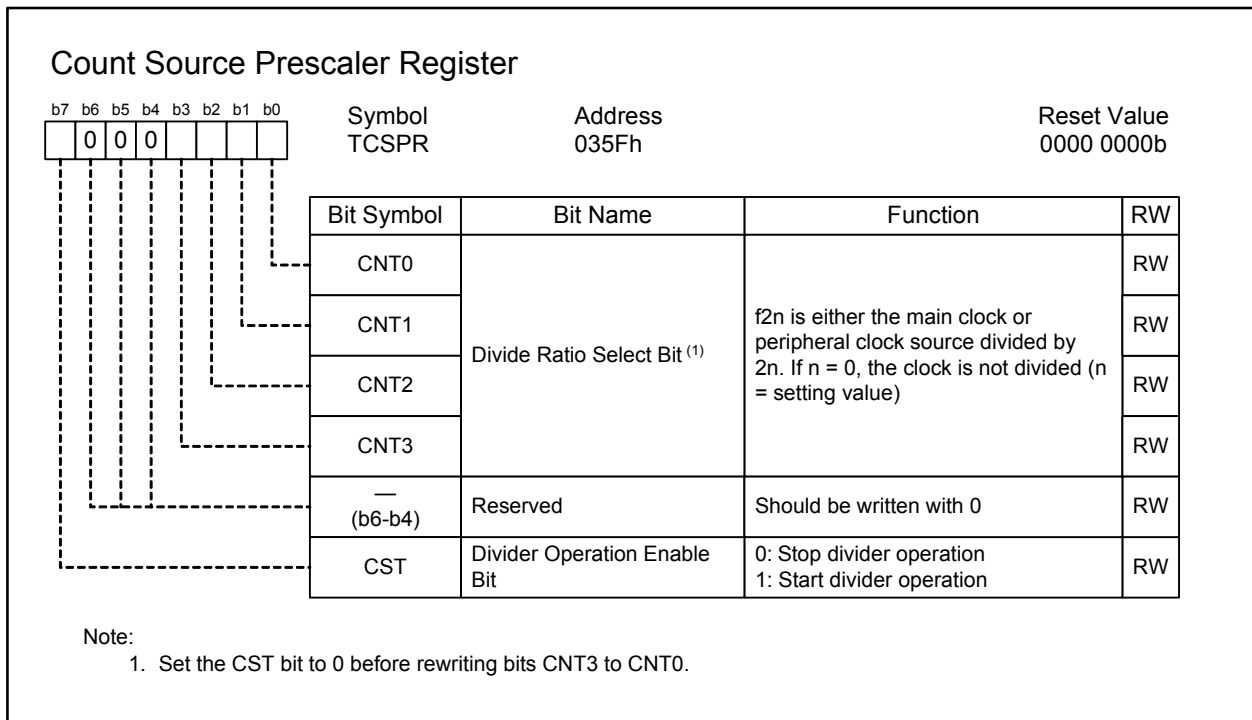


Figure 8.7 TCSPR Register

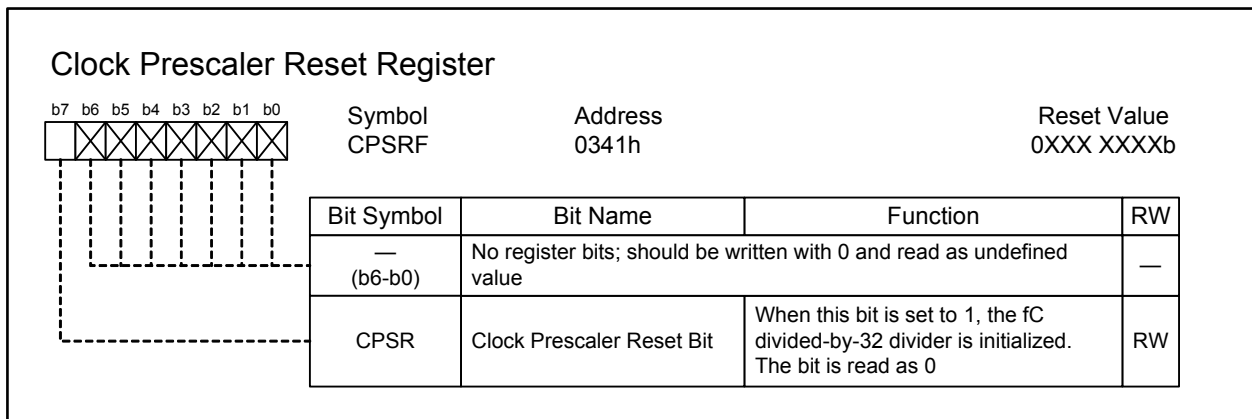
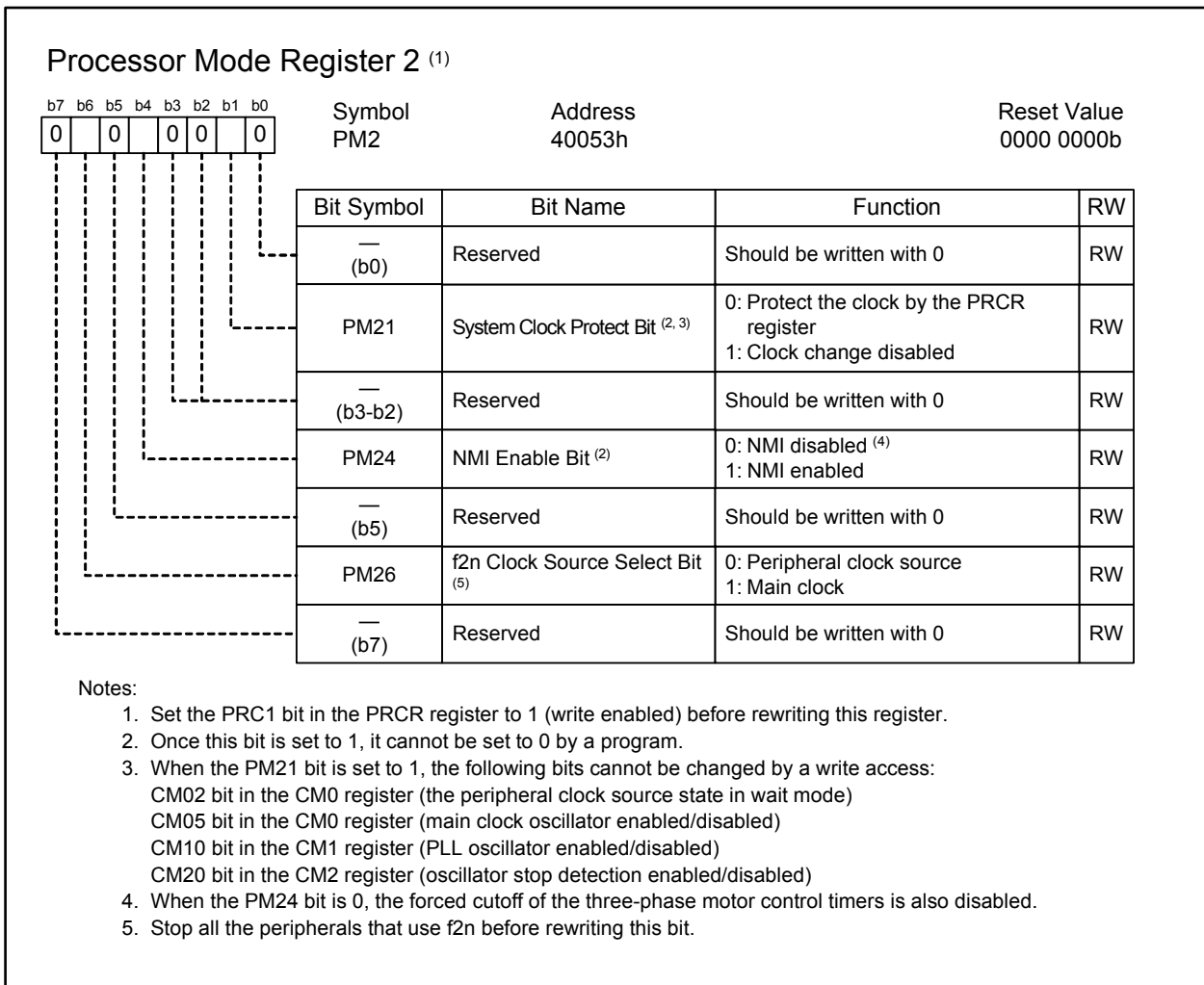


Figure 8.8 CPSRF Register

**Figure 8.9 PM2 Register**

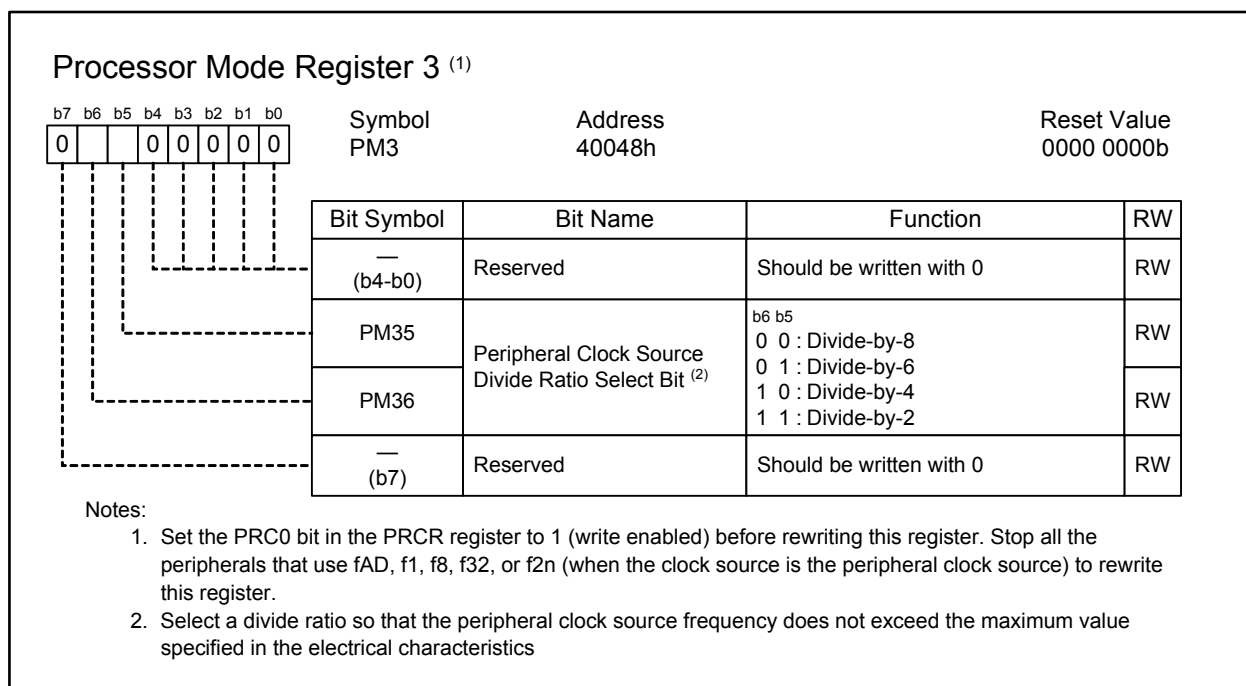


Figure 8.10 PM3 Register

The following sections illustrate clocks generated in clock generators.

8.1.1 Main Clock

The main clock is generated by the main clock oscillator. This clock can be a clock source for the PLL reference clock or peripheral clocks.

The main clock oscillator is configured with two pins, XIN and XOUT, connected by an oscillator or resonator. The circuit has an on-chip feedback resistor which is separated from the oscillator in stop mode to save power consumption. An external clock can be applied to the XIN pin in this circuit. Figure 8.11 shows an example of a main clock circuit connection.

Circuit constants vary depending on the oscillator. Circuit constants should be set as per the oscillator manufacturer's recommendations.

After a reset, the main clock oscillator is still independently active and disconnected from the PLL frequency synthesizer. A PLL frequency synthesizer self-oscillating clock divided by 12 is provided to the CPU.

Setting the CM05 bit in the CM0 register to 1 (main clock oscillator disabled) enables power-saving. In this case, the clock applied to the XOUT pin becomes high. The XIN pin connected to the XOUT pin by an embedded feedback resistor is also driven high. Do not set the CM05 bit to 1 when an external clock is applied to the XIN pin.

All clocks, including the main clock, stop in stop mode. Refer to 8.7 "Power Control" for details.

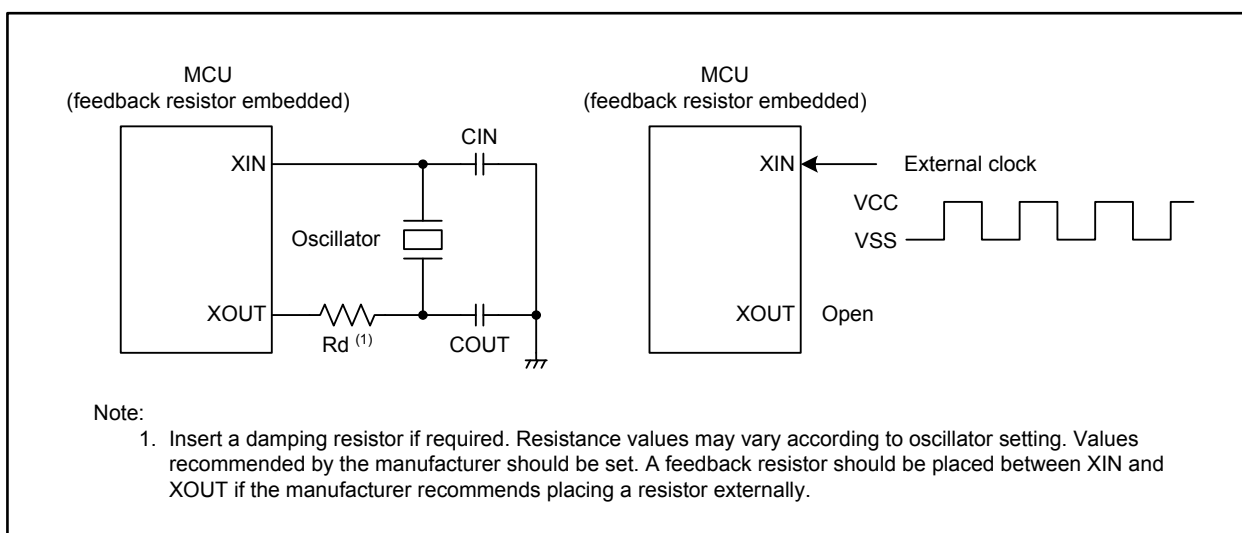


Figure 8.11 Main Clock Circuit Connection

8.1.2 Sub Clock (fC)

The sub clock is generated by the sub clock oscillator. This clock can be a clock source for the CPU clock and a count source for timers A and B. It can be output from the CLKOUT pin.

The sub clock oscillator is configured with pins XCIN and XCOU connected by a crystal oscillator. The circuit has a on-chip feedback resistor which is separated from the oscillator in stop mode to save power consumption. An external clock can be applied to the XCIN pin. Figure 8.12 shows an example of a sub clock circuit connection. Circuit constants vary depending on the oscillator. Circuit constants should be set as per the oscillator manufacturer's recommendations.

After a reset, the sub clock is stopped and the feedback resistor is separated from the oscillator. In order to start the sub clock oscillation, first set bits PD8_6 and PD8_7 in the PD8 register to 0 (input mode), and the PU25 bit in the PUR2 register to 0 (pull-up resistor disabled). Then, set the CM04 bit in the CM0 register to 1 (XCIN-XCOU oscillator).

To input an external clock to the XCIN pin, set bits PD8_7 and PU25 to 0 and then the CM04 bit to 1. The clock applied to the XCIN pin becomes a clock source for the sub clock.

When the CM3 register is set to 00h (fC) and the BCS bit in the CCR register is set to 1 (fC, fOCO4, or f256) after the sub clock oscillation has stabilized, the sub clock becomes the base clock of the CPU clock and the peripheral bus clock.

All clocks, including the sub clock, stop in stop mode. Refer to 8.7 "Power Control" for details.

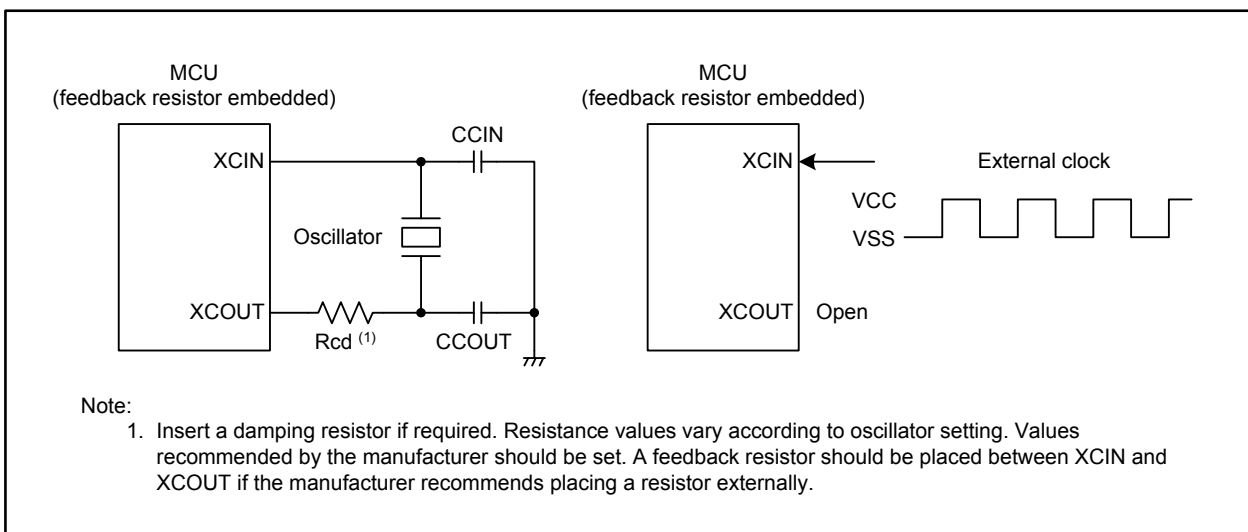


Figure 8.12 Sub Clock Circuit Connection

8.1.3 PLL Clock

The PLL clock is generated by the PLL frequency synthesizer based on the main clock. This clock can be a clock source for any clock including the CPU clock and the peripheral clock.

Figure 8.13 shows a block diagram of the PLL frequency synthesizer. Figures 8.14 and 8.15 show registers PLC0 and PLC1, respectively.

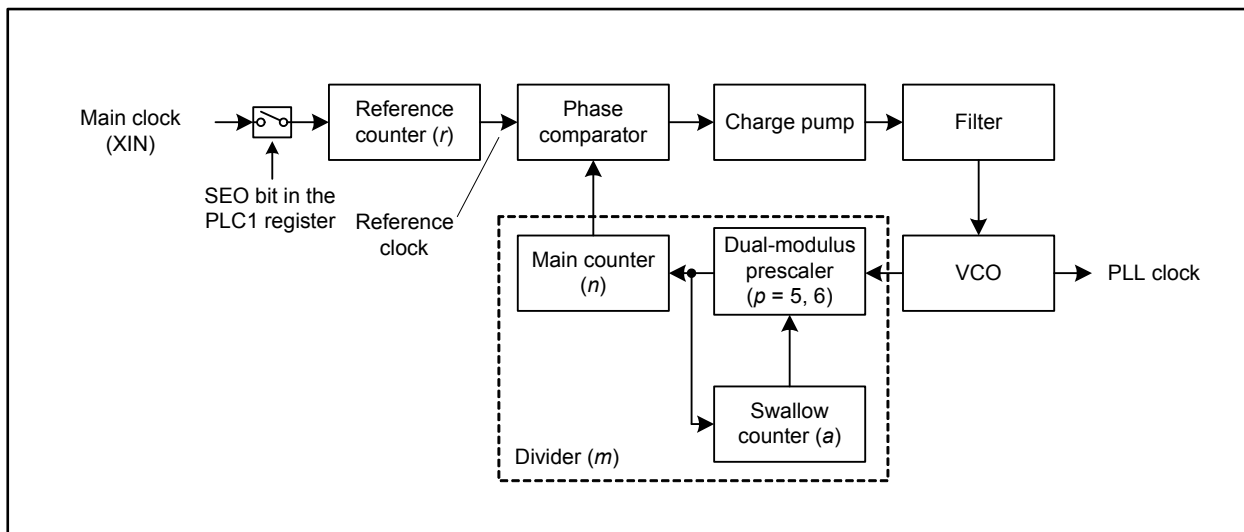


Figure 8.13 PLL Frequency Synthesizer Block Diagram

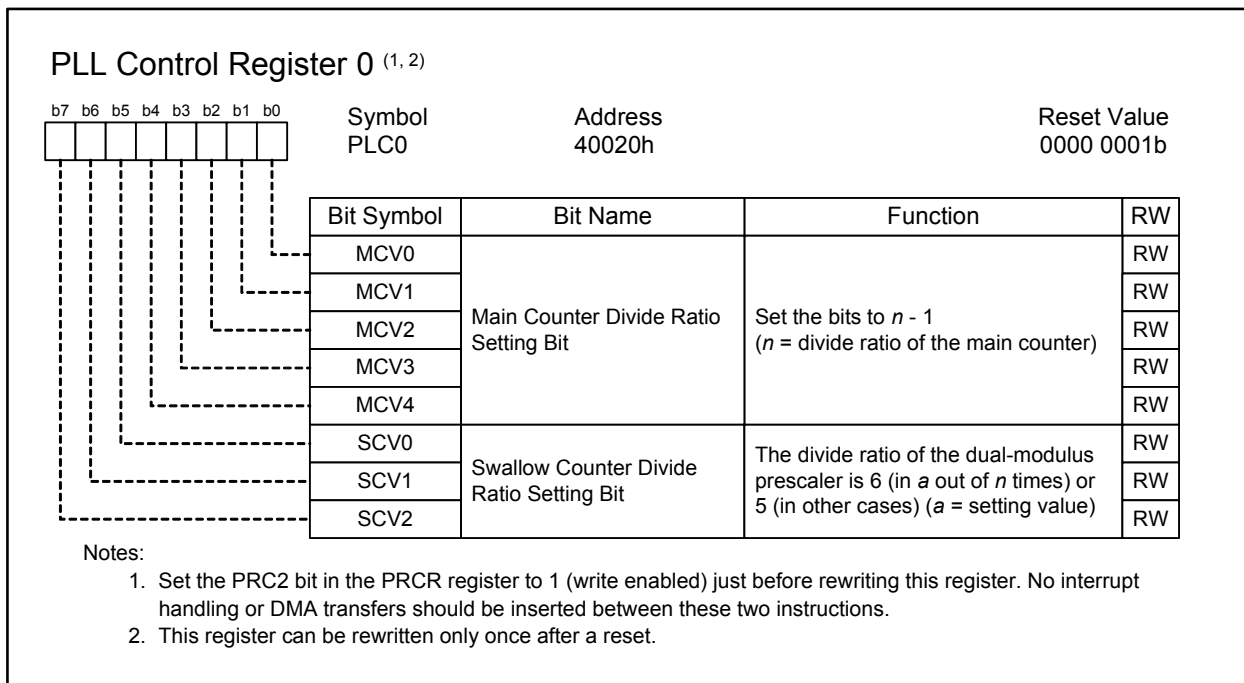


Figure 8.14 PLC0 Register

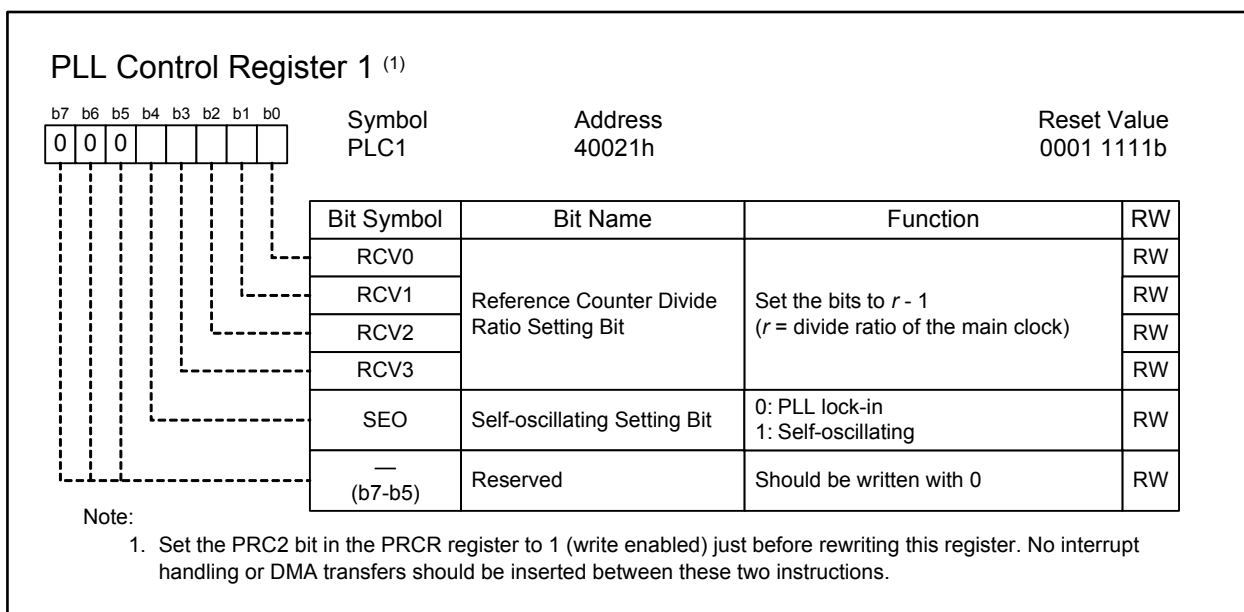


Figure 8.15 PLC1 Register

In the PLL frequency synthesizer, the pulse-swallow operation is implemented. The divide ratio m is simply expressed by $n \times p$. However, with the swallow counter, the divide ratio p is 6 in a out of n , or 5 in other cases, the actual m is therefore given by the formula below:

$$\begin{aligned}
 m &= n \times p \\
 &= n \times \left(\frac{a}{n} \cdot 6 + \frac{n-a}{n} \cdot 5 \right) \\
 &= 5n + a
 \end{aligned}$$

The setting range of a is $0 \leq a < 5$, $0 \leq a \leq n$.

As r is the divide ratio of the reference counter, the PLL clock has a m/r times the main clock (XIN) frequency.

$$\begin{aligned}
 \text{PLL clock frequency } f(PLL) &= \frac{m}{r} \cdot \text{main clock frequency} \\
 &= \frac{5n + a}{r} \cdot \text{main clock frequency}
 \end{aligned}$$

After a reset, the reference counter is divided by 16, and the PLL frequency synthesizer is multiplied by 10. Since the main clock as a reference clock is disconnected, the PLL frequency synthesizer may self-oscillate at its own frequency of $f_{\text{SO(PLL)}}$.

Each register should be set to meet the following conditions:

- The reference clock, which is the main clock divided by r , should be between 2 to 4 MHz.
- The divide ratio m is $25 \leq m \leq 100$.

For the setting of registers PLC1 and PLC0, Table 8.2 should be applied. While the main clock oscillation is stable, a wait time of $t_{\text{LOCK(PLL)}}$ is necessary between rewriting registers PLC1 and PLC0, and the PLL clock becoming stable.

Table 8.2 PLC1 and PLC0 Register Settings (1)

Main Clock	r	Reference Clock	n	a	m	PLC1 Register Setting	PLC0 Register Setting	m/r	PLL Clock
4 MHz	2	2 MHz	9	3	48	01h	68h	24	96 MHz
6 MHz	2	3 MHz	6	2	32	01h	45h	16	96 MHz
8 MHz	3	2.6667 MHz	7	1	36	02h	26h	12	96 MHz
10 MHz	5	2 MHz	9	3	48	04h	68h	9.6	96 MHz
12 MHz	4	3 MHz	6	2	32	03h	45h	8	96 MHz
16 MHz	5	3.2 MHz	6	0	30	04h	05h	6	96 MHz
4 MHz	1	4 MHz	5	0	25	00h	04h	25	100 MHz
6 MHz	3	2 MHz	10	0	50	02h	09h	16.6667	100 MHz
8 MHz	2	4 MHz	5	0	25	01h	04h	12.5	100 MHz
10 MHz	3	3.3333 MHz	6	0	30	02h	05h	10	100 MHz
12 MHz	3	4 MHz	5	0	25	02h	04h	8.3333	100 MHz
16 MHz	4	4 MHz	5	0	25	03h	04h	6.25	100 MHz
4 MHz	1	4 MHz	6	0	30	00h	05h	30	120 MHz
6 MHz	2	3 MHz	8	0	40	01h	07h	20	120 MHz
8 MHz	2	4 MHz	6	0	30	01h	05h	15	120 MHz
10 MHz	3	3.3333 MHz	7	1	36	02h	26h	12	120 MHz
12 MHz	3	4 MHz	6	0	30	02h	05h	10	120 MHz
16 MHz	4	4 MHz	6	0	30	03h	05h	7.5	120 MHz
4 MHz	1	4 MHz	6	2	32	00h	45h	32	128 MHz
6 MHz	3	2 MHz	12	4	64	02h	8Bh	21.3333	128 MHz
8 MHz	2	4 MHz	6	2	32	01h	45h	16	128 MHz
10 MHz	5	2 MHz	12	4	64	04h	8Bh	12.8	128 MHz
12 MHz	3	4 MHz	6	2	32	02h	45h	10.6667	128 MHz
16 MHz	4	4 MHz	6	2	32	03h	45h	8	128 MHz

Note:

1. Registers PLC1 and PLC0 should be set according to the list above.

8.1.4 On-chip Oscillator Clock

The on-chip oscillator clock is generated by the on-chip oscillator (OCO). This clock can be a clock source for the CPU clock and a count source for timers A and B. This clock has a frequency of approximately 125 kHz. The on-chip oscillator clock divided by 4 can be used as the base clock for the CPU clock and peripheral bus clock.

The on-chip oscillator clock is stopped after a reset. It starts running when setting the CM31 bit in the CM3 register to 1. It is not necessary to wait for stabilization because the on-chip oscillator instantly starts oscillating.

8.2 Oscillator Stop Detection

This function detects the main clock is stopped when its oscillator stops running due to an external factor. When the CM20 bit in the CM2 register is 1 (enable oscillator stop detection), an oscillator stop detection interrupt request is generated as soon as the main clock stops. Simultaneously, the PLL frequency synthesizer starts to self-oscillate at its own frequency. If the PLL frequency synthesizer is the clock source for CPU clock and peripheral clock, these clocks continue running.

When an oscillator stop is detected, the following bits in the CM2 register become 1:

- The CM22 bit: main clock oscillator stop detected
- The CM23 bit: main clock oscillator stopped

8.2.1 How to Use Oscillator Stop Detection

The oscillator stop detection interrupt shares vectors with the watchdog timer interrupt and the low voltage detection interrupt. When using these interrupts simultaneously, read the CM22 bit with an interrupt handler to determine if an oscillator stop detection interrupt request has been generated.

When the main clock oscillator resumes running after an oscillator stop is detected, the PLL clock frequency may temporarily exceed the preset value before the PLL frequency synthesizer oscillation stabilizes. As soon as an oscillator stop is detected, the main clock oscillator should be stopped from resuming (set the CM05 bit in the CM0 register to 1) or the divide ratios of the base clock and peripheral clock source should be increased by a program. They can be set using bits BCD1 and BCD0 in the CCR register and bits PM36 and PM35 in the PM3 register.

In low speed mode, when the main clock oscillator stops running, an oscillator stop detection interrupt request is generated if the CM20 bit is set to 1 (enable oscillator stop detection). The CPU clock remains running with a low speed clock source. Note that if the base clock is f256, which is the main clock divided by 256, oscillator stop detection cannot be used.

The oscillator stop detection is provided to handle main clock stop caused by external factors. To stop the main clock oscillator by a program, i.e., to enter stop mode or to set the CM05 bit to 1 (main clock oscillator disabled), the CM20 bit in the CM2 register should be set to 0 (disable oscillator stop detection). To enter wait mode, this bit should be also set to 0.

The oscillator stop detection functions depending on the voltage of a capacitor which is being changed. In more concrete terms, this function detects that the oscillator is stopped when the main clock goes lower than approximately 500 kHz. Note that if the CM22 bit is set to 0 by a program in an interrupt handler while the frequency is around 500 kHz, a stack overflow may occur due to multiple interrupt requests.

8.3 Base Clock

The base clock is a reference clock for the CPU clock and peripheral bus clock. The base clock after a reset is the PLL clock divided by 6.

The base clock source is selected between the PLL clock and the low speed clocks which contain the sub clock (fC), on-chip oscillator clock divided by 4 (fOCO4), and main clock divided by 256 (f256).

If the PLL clock is selected, it is divided by 2, 3, 4, or 6 to become the base clock. If a low speed clock is selected, the clock itself can be the base clock.

The base clock source is set using the BCS bit in the CCR register and the divide ratio for the PLL clock is set using bits BCD1 and BCD0. Bits CM31 and CM30 in the CM3 register select a low speed clock.

8.4 CPU Clock and Peripheral Bus Clock

The CPU operating clock is referred to as the CPU clock. The CPU clock after a reset is the base clock divided by 2.

The CPU clock source is the base clock, and its divide ratio is selected by setting bits CCD1 and CCD0 in the CCR register. The base clock divided by 2 to 4 becomes the peripheral bus clock. Its divide ratio is selected by setting bits PCD1 and PCD0 in the CCR register. The peripheral bus clock also functions as a count source for the watchdog timer.

In memory expansion mode or microprocessor mode, the peripheral bus clock can be output as BCLK from the BCLK pin. This clock is used as a reference clock for external timing generation. Refer to 8.6 "Clock Output Function" for details.

To prevent the CPU clock, whose clock source is the PLL clock, from stopping when the CPU becomes out of control, set the following while the CM05 bit in the CM0 register is 0 (main clock oscillator enabled) and the BCS bit in the CCR register is 0 (PLL clock selected as base clock source):

- (1) Set the PRC1 bit in the PRCR register to 1 (write enabled to the PM2 register).
- (2) Set the PM21 bit in the PM2 register to 1 (clock change disabled).

8.5 Peripheral Clock

The peripheral clock is an operating clock or a count source for the peripherals excluding the watchdog timer. The source of this clock is generated by a clock, which has the same frequency as the PLL clock, divided by 2, 4, 6, or 8 according to the settings of bits PM36 and PM35 in the PM3 register. The peripheral clock is classified into three types of clock as follows:

(1) f1, f8, f32, f2n

f1, f8, and f32 are the peripheral clock sources divided by 1, 8, and 32, respectively. The clock source for f2n is selected between the peripheral clock source and the main clock by setting the PM26 bit in the PM2 register. The f2n divide ratio can be set using bits CNT3 to CNT0 in the TCSPR register (n = 1 to 15, not divided when n = 0).

f1, f8, f32, and f2n, whose clock source is the peripheral clock source, stop in low power mode or when the CM02 bit is set to 1 (peripheral clock source stopped in wait mode) to enter wait mode.

f1, f8, and f2n are used as a count source for timers A and B or an operating clock for the serial interface. f1 is used as an operating clock for the intelligent I/O as well.

f8 and f32 can be output from the CLKOUT pin. Refer to 8.6 "Clock Output Function" for details.

(2) fAD

fAD, which has the same frequency as peripheral clock source, is an operating clock for the A/D converter.

This clock stops in low power mode or when the CM02 bit is set to 1 (peripheral clock source stopped in wait mode) to enter wait mode.

(3) fC32

fC32, which is a sub clock divided by 32, or on-chip oscillator clock divided by 128, is used as the count source for timers A and B. This clock is available when the sub clock or on-chip oscillator clock is active.

8.6 Clock Output Function

Low speed clocks, f8, and f32 can be output from the CLKOUT pin.

In memory expansion mode or microprocessor mode, the BCLK, that is, the peripheral bus clock which is the base clock divided by 2 to 4 can also be output from the BCLK pin.

Tables 8.3 and 8.4 list the CLKOUT pin functions in single-chip mode and memory expansion mode or microprocessor mode, respectively.

Table 8.3 CLKOUT Pin Functions in Single-chip Mode

PM0 Register ⁽¹⁾	CM0 Register ⁽²⁾		CLKOUT Pin Function
	CM01	CM00	
PM07			
0 or 1	0	0	I/O port P5_3
1	0	1	Output a low speed clock
1	1	0	Output f8
1	1	1	Output f32

Notes:

1. Set the PRC1 bit in the PRCR register to 1 (write enabled) before rewriting this register.
2. Set the PRC0 bit in the PRCR register to 1 (write enabled) before rewriting this register.

Table 8.4 CLKOUT Pin Functions in Memory Expansion Mode or Microprocessor Mode

PM0 Register ⁽¹⁾	CM0 Register ⁽²⁾		CLKOUT Pin Function
	CM01	CM00	
PM07			
0	0 ⁽³⁾	0 ⁽³⁾	Output BCLK
1	0	0	Output low (not function as P5_3)
1	0	1	Output a low speed clock
1	1	0	Output f8
1	1	1	Output f32

Notes:

1. Set the PRC1 bit in the PRCR register to 1 (write enabled) before rewriting this register.
2. Set the PRC0 bit in the PRCR register to 1 (write enabled) before rewriting this register.
3. When the PM07 bit is set to 0 (output BCLK), set bits CM01 and CM00 to 00b (I/O port P5_3).

8.7 Power Control

Power control has three modes: wait mode, stop mode, and normal operating mode.

The name “normal operating mode” is used restrictively in this chapter, and it indicates all other modes except wait mode and stop mode. Figure 8.16 shows a block diagram of the state transition in normal operating mode, stop mode, and wait mode.

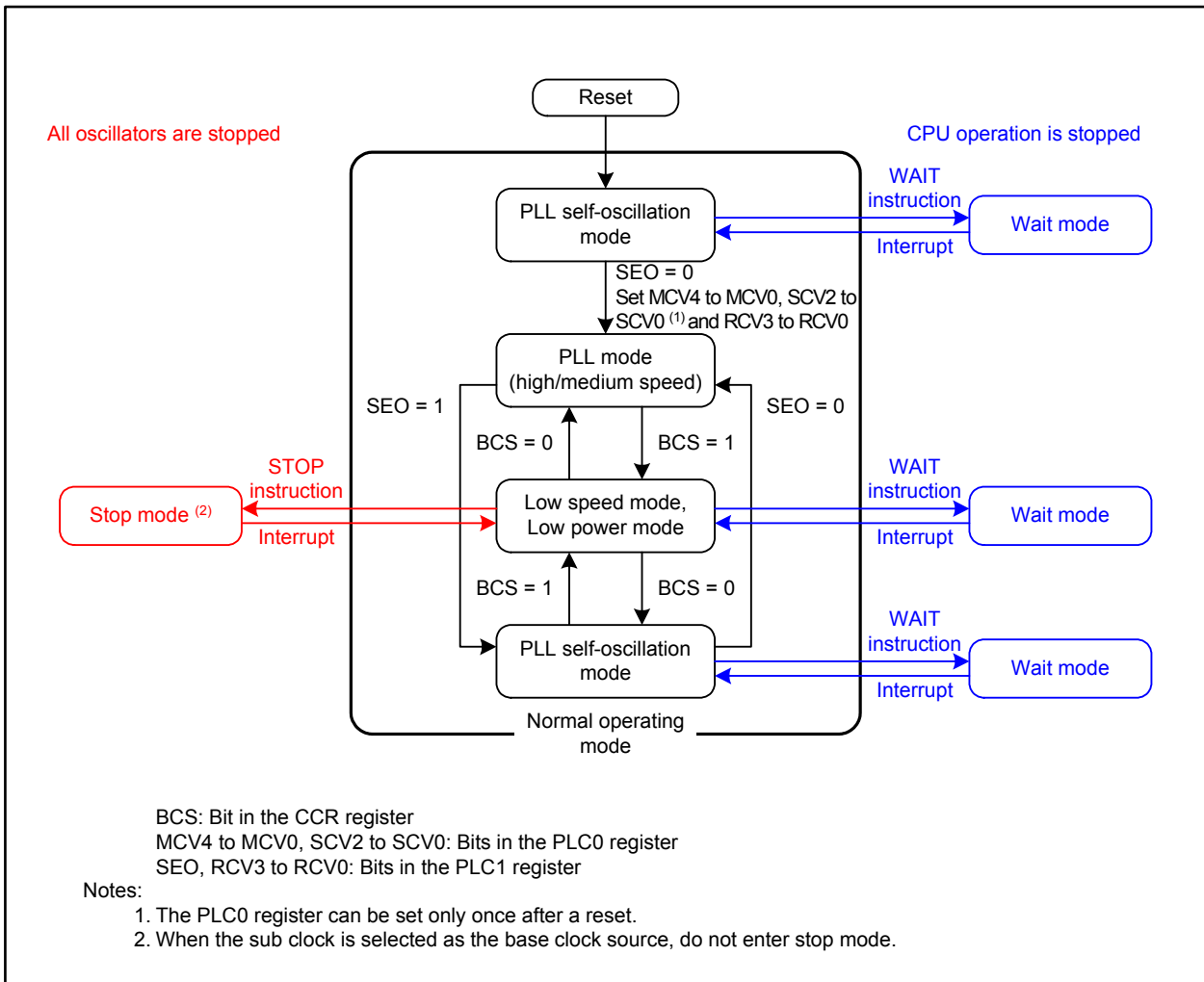


Figure 8.16 State Transition in Stop Mode and Wait Mode

8.7.1 Normal Operating Mode

Normal operating mode is classified into the five modes shown below.

In normal operating mode, the CPU clock and peripheral clock are provided to operate the CPU and peripherals. Power consumption is controlled by the CPU clock frequency. The higher the CPU clock frequency is, the more processing power increases. The lower the CPU clock frequency is, the less power consumption is required. Power consumption can be reduced by stopping oscillators that are not being used.

(1) PLL Mode (high speed mode)

In this mode, the PLL clock is selected as the base clock source, and the main clock is provided as the reference clock source for the PLL frequency synthesizer. High speed mode enables the CPU to operate at the maximum operating frequency. The PLL clock divided by 2 becomes the base clock. The base clock frequency should be identical to that of the CPU clock. f_{AD} , f_1 , f_8 , f_{32} , and f_{2n} can be used as the peripheral clocks. When the sub clock or the on-chip oscillator clock is provided, f_{C32} can be used as the count source for timers A and B.

(2) PLL Mode (medium speed mode)

This mode indicates all modes in PLL mode except high speed mode. The PLL clock divided by 2, 3, 4, or 6 becomes the base clock and the base clock divided by 1 to 4 becomes the CPU clock. f_{AD} , f_1 , f_8 , f_{32} , and f_{2n} can be used as the peripheral clocks. When the sub clock or the on-chip oscillator clock is provided, f_{C32} can be used as the count source for timers A and B.

(3) Low Speed Mode

In this mode, a low speed clock is used as the base clock source. The low speed clock becomes the base clock and the base clock divided by 1 to 4 becomes the CPU clock. f_{AD} , f_1 , f_8 , f_{32} , and f_{2n} can be used as the peripheral clocks. When the sub clock or the on-chip oscillator clock is provided, f_{C32} can be used as the count source for timers A and B.

(4) Low Power Mode

This is a state where the main clock oscillator and the PLL frequency synthesizer are stopped after switching to low speed mode. The sub clock or the on-chip oscillator clock divided by 4 becomes the base clock and the base clock divided by 1 to 4 becomes the CPU clock. f_{C32} , which is the only peripheral clock available, can be used as the count source for timers A and B. By setting the MRS bit in the VRCCR register to 1 (main regulator stopped), this mode consumes even less power than the modes above.

(5) PLL Self-oscillation Mode

In this mode, the PLL clock is selected as the base clock source, and the main clock is not provided as the reference clock source for the PLL frequency synthesizer. The PLL frequency synthesizer self-oscillates at its own frequency. The PLL clock divided by 2, 3, 4, or 6 becomes the base clock and the base clock divided by 1 to 4 becomes the CPU clock. f_{AD} , f_1 , f_8 , f_{32} , and f_{2n} can be used as the peripheral clocks. When the sub clock or the on-chip oscillator clock is provided, f_{C32} can be used as the count source for timers A and B.

The state transition within normal operating mode can be very complicated; therefore only the block diagrams of typical state transitions are shown. Figures 8.17 to 8.19 show block diagrams of the respective state transitions: state when the sub clock is used, state when the main clock divided by 256 is used, and state when the on-chip oscillator clock is used. As for the state transitions other than the above, setting of each register and the usage notes below can be used as references.

- PLL can be switched from PLL oscillating to self-oscillating by setting the SEO bit in the PLC1 register to 1. Set the SEO bit to 1 (self-oscillating) before setting the CM05 bit in the CM0 register to 0 (main clock oscillator disabled) to stop the main clock.
- The divide ratio of the clock should be increased and the frequency should be decreased by using bits BCD1 to BCD0 in the CCR register or bits PM36 to PM35 in the PM3 register before setting the SEO bit to 0 (PLL oscillating) in order to switch back PLL self-oscillation mode to PLL mode. Set back the settings of bits BCD1 to BCD0 and bits PM36 to PM35 once PLL oscillation is stabilized after setting the SEO bit to 0.
- Before switching the CPU clock to another clock, that clock should be stabilized. In particular, the sub clock oscillator may require more time to stabilize ⁽¹⁾. Therefore, certain waiting time to switch should be taken by a program immediately after turning the MCU on or exiting stop mode.

Note:

1. Contact the oscillator manufacturer for details on oscillator stabilization time.

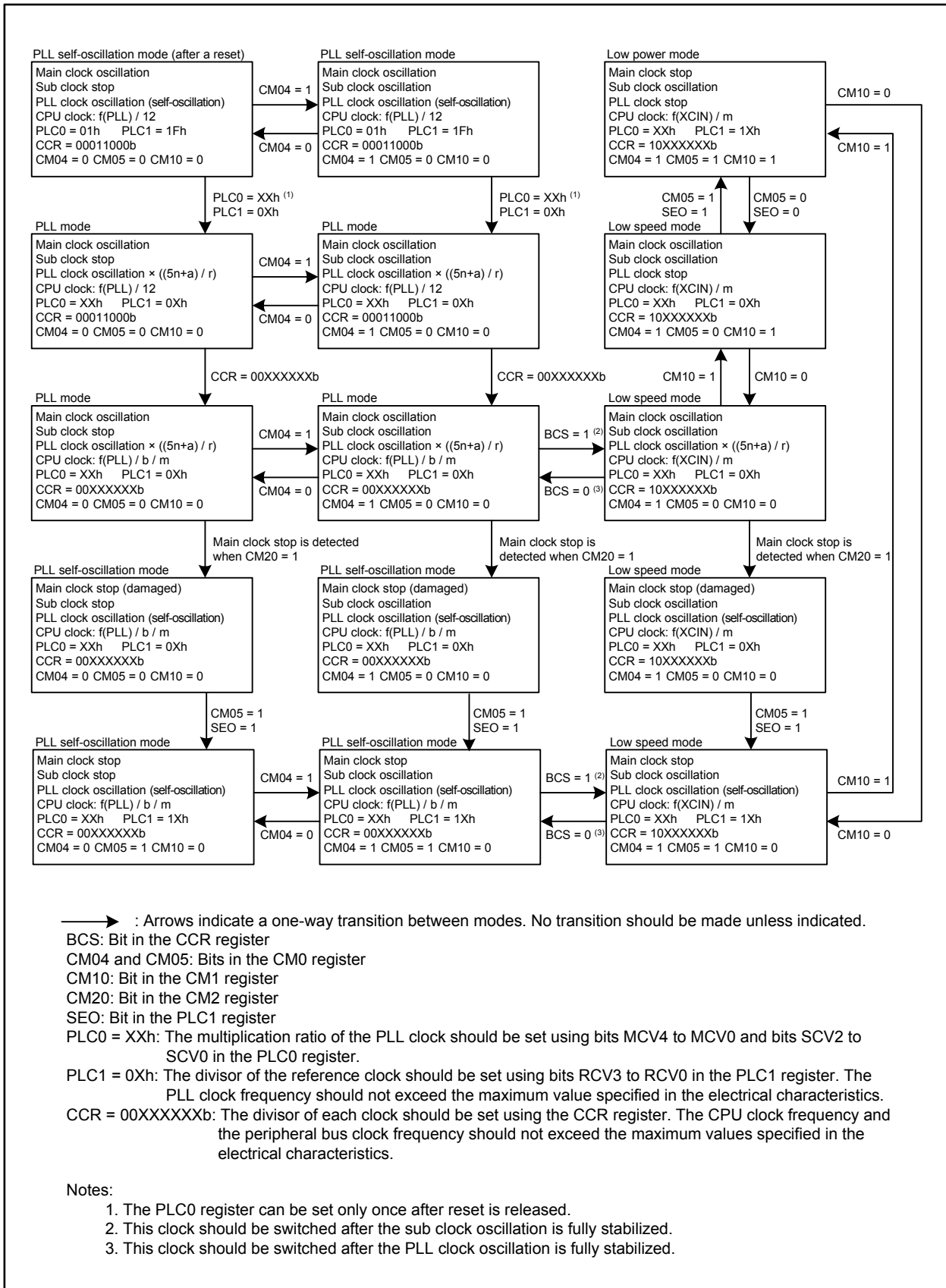


Figure 8.17 State Transition When Using the Sub Clock

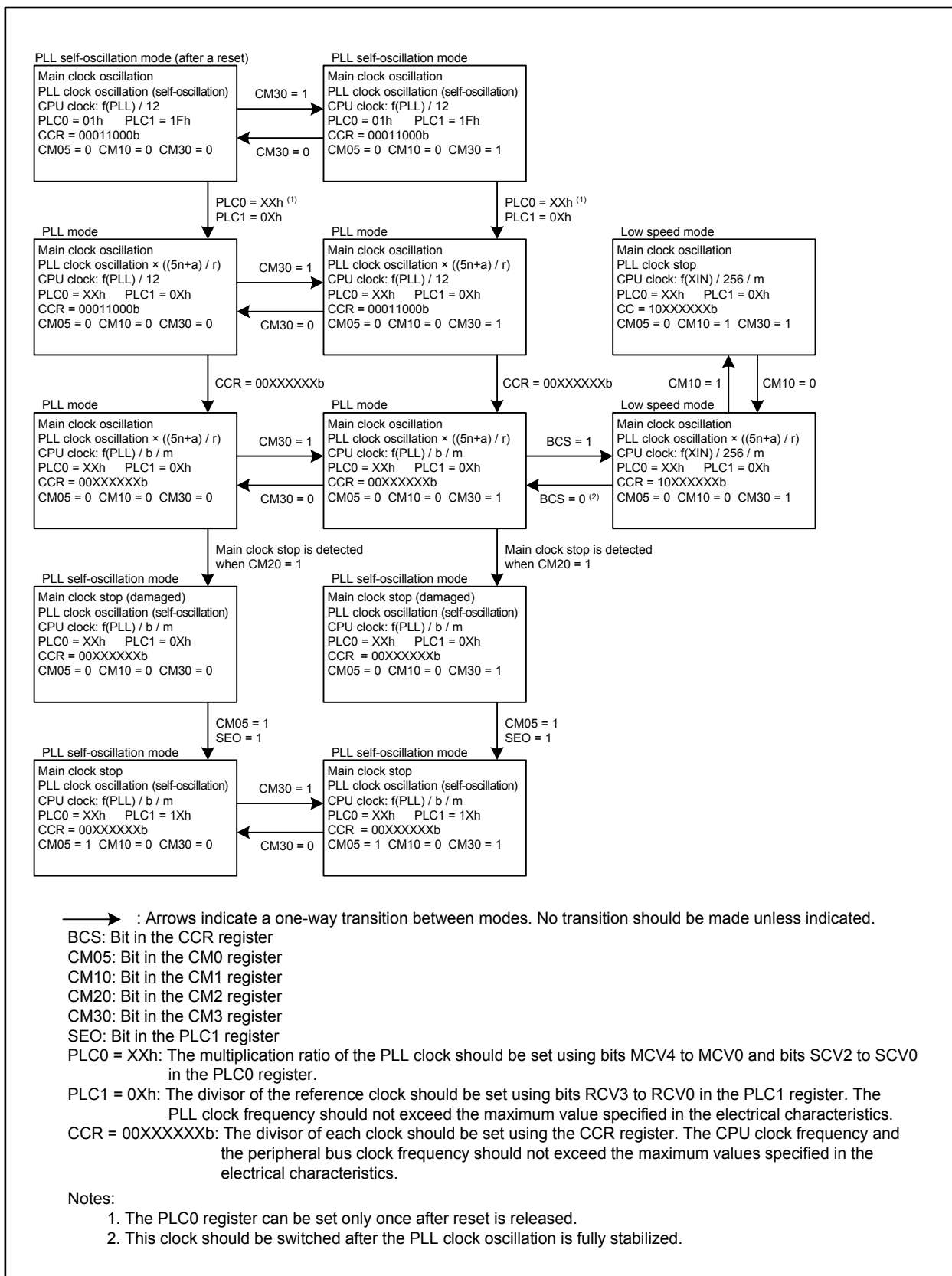


Figure 8.18 State Transition When Using the Main Clock Divided by 256

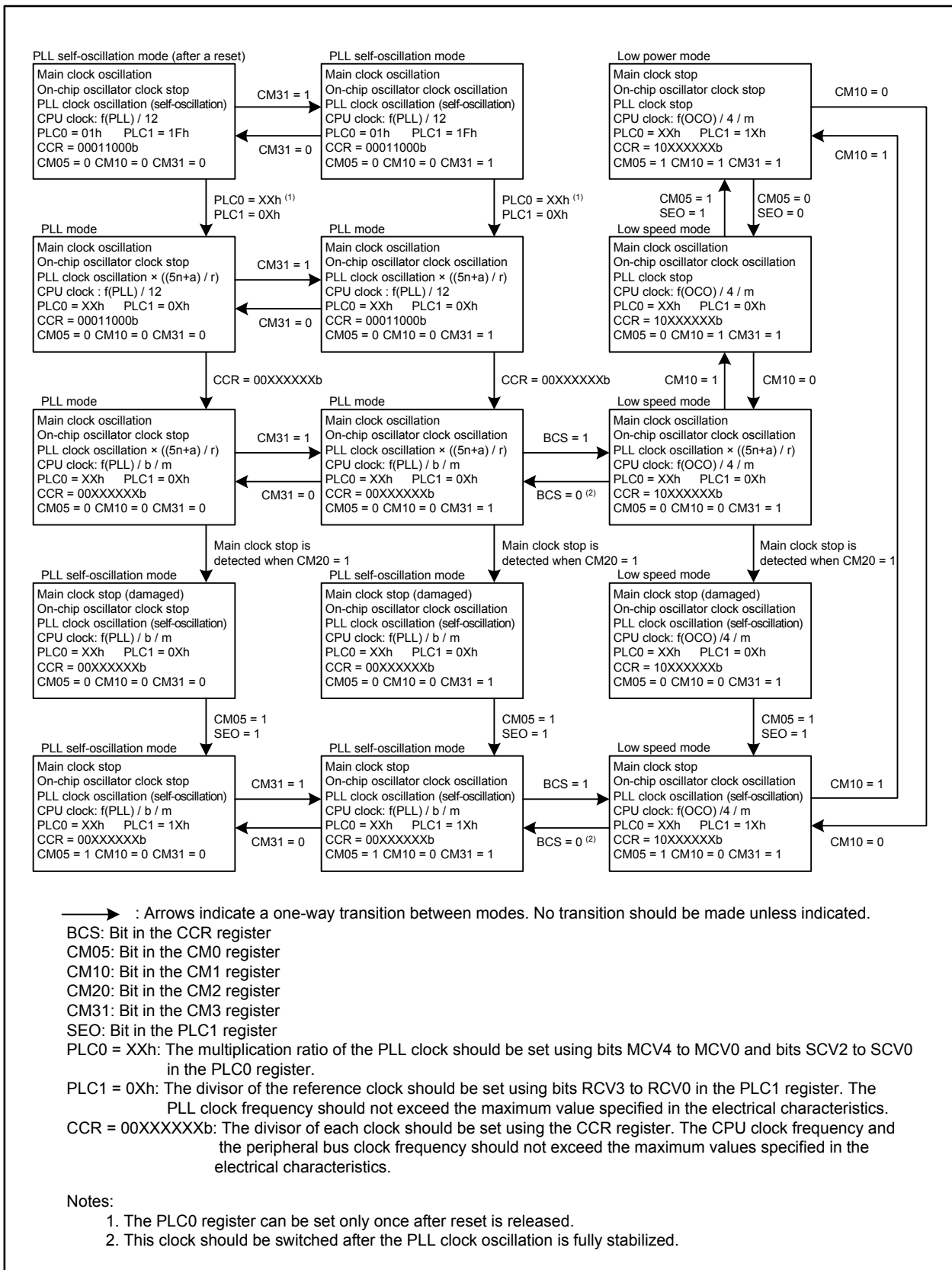


Figure 8.19 State Transition When Using the On-chip Oscillator Clock

8.7.2 Wait Mode

The base clock stops in wait mode, so clocks generated by the base clock, the CPU clock and peripheral bus clock, stop running as well. Thus the CPU and watchdog timer, operated by these two clocks, also stop. Since the main clock, sub clock, PLL clock, and on-chip oscillator clock continue running, the peripherals using these clocks also continue operating.

8.7.2.1 Peripheral Clock Source Stop Function

When the CM02 bit in the CM0 register is 1 (peripheral clock source stopped in wait mode), power consumption is reduced since peripheral clocks f1, f8, f32, f2n (when the clock source is the peripheral clock source), and fAD stop running in wait mode. fC32 and f2n (when the clock source is the main clock) do not stop running.

8.7.2.2 Entering Wait Mode

To enter wait mode, the following procedures should be completed before the WAIT instruction is executed.

- Initial setting
 - Set the wake-up interrupt priority level (bits RLVL2 to RLVL0 in registers RIPL1 and RIPL2) to 7. Then set each interrupt request level.
- Steps before entering wait mode
 - (1) Set the I flag to 0.
 - (2) Set the interrupt request level for each interrupt source (interrupt number from 1 to 127) to 0, if its interrupt request level is not 0.
 - (3) Perform a dummy read of any of the interrupt control registers.
 - (4) Set the processor interrupt priority level (IPL) in the flag register to 0.
 - (5) Enable interrupts temporarily by executing the following instructions:


```
FSET I
NOP
NOP
FCLR I
```
 - (6) Set the interrupt request level for the interrupt to exit wait mode. Do not rewrite the interrupt control register after this step.
 - (7) Set the IPL in the flag register.
 - (8) Set the interrupt priority level for resuming to the same level as the IPL.

Interrupt request level for the interrupt to exit wait mode > IPL = Interrupt priority level for resuming
 - (9) Set the CM20 bit in the CM2 register to 0 (disable oscillator stop detection) when the oscillator stop detection is used.
 - (10) Enter either PLL self-oscillation mode, low speed mode, or low power mode.
 - (11) Set the I flag to 1.
 - (12) Execute the WAIT instruction.
- After exiting wait mode
 - Set the wake-up interrupt priority level to 7 immediately after exiting wait mode.

8.7.2.3 Pin State in Wait Mode

Table 8.5 lists the pin state in wait mode.

Table 8.5 Pin State in Wait Mode

Pin		Memory Expansion Mode/ Microprocessor Mode	Single-chip Mode
Address bus, data bus, $\overline{CS0}$ to $\overline{CS3}$, $\overline{BC0}$ to $\overline{BC3}$		The state immediately before entering wait mode is held	—
\overline{RD} , \overline{WR} , $\overline{WR0}$ to $\overline{WR3}$		High	—
HLDA, BCLK		High	—
ALE		High	—
Ports		The state immediately before entering wait mode is held	
DA0, DA1		The state immediately before entering wait mode is held	
CLKOUT	When a low speed clock is selected	The clock is output	
	When f8 or f32 is selected	The clock is output when the CM02 bit in the CM0 register is 0 (no peripheral clock source stopped in wait mode). The state immediately before entering wait mode is held when the CM02 bit is 1 (peripheral clock source stopped in wait mode)	

8.7.2.4 Exiting Wait Mode

The MCU exits wait mode by a hardware reset, an NMI, or a peripheral interrupt assigned to software interrupt number from 0 to 63.

To exit wait mode using either a hardware reset or NMI, without using peripheral interrupts, set bits ILVL2 to ILVL0 for the peripheral interrupts to 000b (interrupt disabled) before executing the WAIT instruction.

The CM02 bit setting in the CM0 register affects the peripheral interrupts. When the CM02 bit is 0 (peripheral clock source not stopped in wait mode), peripheral interrupts for software interrupt numbers from 0 to 63 can be used to exit wait mode. When this bit is 1 (peripheral clock source stopped in wait mode), peripherals operated using clocks (f1, f8, f32, f2n whose clock source is the peripheral clock source, and fAD) generated by the peripheral clock source stop operating. Therefore, the peripheral interrupts cannot be used to exit wait mode. However, peripherals operated using clocks which are independent from the peripheral clock source (fC32, external clock, and f2n whose clock source is the main clock) do not stop operating. Thus, interrupts generated by these peripherals and assigned to software interrupt numbers from 0 to 63 can be used to exit wait mode.

The CPU clock used when exiting wait mode by a peripheral interrupt or an NMI is the same clock used when the WAIT instruction is executed.

Table 8.6 lists interrupts used to exit wait mode and usage conditions.

Table 8.6 Interrupts for Exiting Wait Mode and Usage Conditions

Interrupt	When the CM02 Bit is 0	When the CM02 Bit is 1
NMI	Available	Available
External interrupt ⁽¹⁾	Available	Available
Key input interrupt	Available	Available
Low voltage detection interrupt	Available	Available
Timer A interrupt Timer B interrupt	Available in any mode	Available in event counter mode, or when the count source is fC32 or f2n (when the main clock is selected as the clock source)
Serial interface interrupt ⁽²⁾	Available when an internal or external clock is used	Available when the external clock or f2n (when the main clock is selected as the clock source) is used
A/D conversion interrupt	Available in single mode or single-sweep mode	Should not be used
Intelligent I/O interrupt	Available	Should not be used
I ² C-bus interface interrupt	Available	Should not be used
I ² C-bus line interrupt	Available	Available

Notes:

1. INT6 to INT8 are available in the intelligent I/O interrupt only.
2. UART7 and UART8 are excluded.

8.7.3 Stop Mode

In stop mode, all of the clocks, except for those that are protected, stop running. That is, the CPU and peripherals, operated by the CPU clock and peripheral clock, also stop. This mode saves the most power.

8.7.3.1 Entering Stop Mode

To enter stop mode, the following procedures should be done before the STOP instruction is executed.

- Initial setting
 - Set the wake-up interrupt priority level (bits RLVL2 to RLVL0 in registers RIPL1 and RIPL2) to 7.
 - Then set each interrupt request level.
- Steps before entering stop mode
 - (1) Set the I flag to 0.
 - (2) Set the interrupt request level for each interrupt source (interrupt number from 1 to 127) to 0, if the interrupt request level is not 0.
 - (3) Perform a dummy read of any of the interrupt control registers.
 - (4) Set the processor interrupt priority level (IPL) in the flag register to 0.
 - (5) Enable interrupts temporarily by executing the following instructions:
 - FSET I
 - NOP
 - NOP
 - FCLR I
 - (6) Set the interrupt request level for the interrupt to exit stop mode.
 - Do not rewrite the interrupt control register after this step.
 - (7) Set the IPL in the flag register.
 - (8) Set the interrupt priority level for resuming to the same level as the IPL.
 - Interrupt request level for the interrupt to exit stop mode > IPL = Interrupt priority level for resuming
 - (9) Set the CM20 bit in the CM2 register to 0 (oscillator stop detection disabled) when the oscillator stop detection is used.
 - (10) Change the base clock to either the main clock divided by 256 (f256) or the on-chip oscillator clock divided by 4 (fOCO4).
 - (11) Set the I flag to 1.
 - (12) Execute the STOP instruction.
- After exiting stop mode
 - Set the wake-up interrupt priority level to 7 immediately after exiting stop mode.

8.7.3.2 Pin State in Stop Mode

Table 8.7 lists the pin state in stop mode.

Table 8.7 Pin State in Stop Mode

Pin		Memory Expansion Mode/ Microprocessor Mode	Single-chip Mode
Address bus, data bus, $\overline{CS0}$ to $\overline{CS3}$, $\overline{BC0}$ to $\overline{BC3}$		The state immediately before entering stop mode is held	—
\overline{RD} , \overline{WR} , $\overline{WR0}$ to $\overline{WR3}$		High	—
HLDA, BCLK		High	—
ALE		High	—
Ports		The state immediately before entering stop mode is held	
DA0, DA1		The state immediately before entering stop mode is held	
CLKOUT	When a low speed clock is selected	High	
	When f8 or f32 is selected	The state immediately before entering stop mode is held	
XIN		High-impedance	
XOUT		High	
XCIN, XCOU		High-impedance	

8.7.3.3 Exiting Stop Mode

The MCU exits stop mode by a hardware reset, NMI, low voltage detection interrupt, or a peripheral interrupt assigned to software interrupt number from 0 to 63.

To exit stop mode using either a hardware reset or NMI, without using peripheral interrupts, set bits ILVL2 to ILVL0 for the peripheral interrupts to 000b (interrupt disabled) before executing the STOP instruction.

The CPU clock used when exiting stop mode by a peripheral interrupt or NMI is the same clock used when the STOP instruction is executed.

Table 8.8 lists interrupts used to exit stop mode and usage conditions.

Table 8.8 Interrupts for Exiting Stop Mode and Usage Conditions

Interrupt	Usage Condition
NMI	
Low voltage detection interrupt	
External interrupt	INT6 to INT8 are available when intelligent I/O interrupt is used
Key input interrupt	
Timer A interrupt Timer B interrupt	Available when a timer counts an external pulse with a frequency of 100 Hz or less in event counter mode
Serial interface interrupt (1)	Available when an external clock is used
I ² C-bus line interrupt	

Note:

1. UART7 and UART8 are excluded.

8.8 System Clock Protection

The system clock protection disables clock change when the PLL clock is selected as the base clock source. This prevents the CPU clock from stopping due to a runaway program.

When the PM21 bit in the PM2 register is set to 1 (clock change disabled), the following bits cannot be written to:

- Bits CM02 and CM05 in the CM0 register
- The CM10 bit in the CM1 register
- The CM20 bit in the CM2 register
- The PM27 bit in the PM2 register

To use the system clock protection, set the CM05 bit in the CM0 register to 0 (main clock oscillator enabled) and the BCS bit in the CCR register to 0 (PLL clock selected as base clock source) before the following procedure is done:

- (1) Set the PRC1 bit in the PRCR register to 1 (write to the PM2 register enabled).
- (2) Set the PM21 bit in the PM2 register to 1 (clock change disabled).
- (3) Set the PRC1 bit in the PRCR register to 0 (write to the PM2 register disabled).

8.9 Notes on Clock Generator

8.9.1 Sub Clock

8.9.1.1 Oscillator Constant Matching

The constant matching of the sub clock oscillator should be evaluated in both cases when the drive strength is high and low.

Contact the oscillator manufacturer for details on the oscillation circuit constant matching.

8.9.2 Power Control

Do not switch the base clock source until the oscillation of the clock to be used has stabilized. However, this does not apply to the on-chip oscillator since it starts running immediately after the CM31 bit in the CM3 register is set to 1.

To switch the base clock source from the PLL clock to a low speed clock, use the MOV.L or OR.L instruction to set the BCS bit in the CCR register to 1.

- Program example in assembly language

```
OR.L    #80h, 0004h
```

- Program example in C language

```
asm("OR.L #80h, 0004h");
```

8.9.2.1 Stop Mode

- To exit stop mode using a reset, apply a low signal to the $\overline{\text{RESET}}$ pin until the main clock oscillation stabilizes.

8.9.2.2 Suggestions for Power Saving

The following are suggestions to reduce power consumption when programming or designing systems.

- I/O pins:

If inputs are floating, both transistors may be conducting. Set unassigned pins to input mode and connect each of them to VSS via a resistor, or set them to output mode and leave them open.

- A/D converter:

When not performing the A/D conversion, set the VCUT bit in the AD0CON1 register to 0 (VREF disconnected). To perform the A/D conversion, set the VCUT bit to 1 (VREF connected) and wait at least 1 μs before starting conversion.

- D/A converter:

When not performing the D/A conversion, set the DAiE bit in the DACON register ($i = 0, 1$) to 0 (output disabled) and the DAi register to 00h.

- Peripheral clock stop:

When entering wait mode, power consumption can be reduced by setting the CM02 bit in the CM0 register to 1 to stop the peripheral clock source. However, this setting does not stop the fC32.

9. Bus

This MCU has an internal bus and an external bus. The internal bus contains a fast bus (CPU bus) and a slow bus (peripheral bus). Figure 9.1 shows a block diagram of the bus.

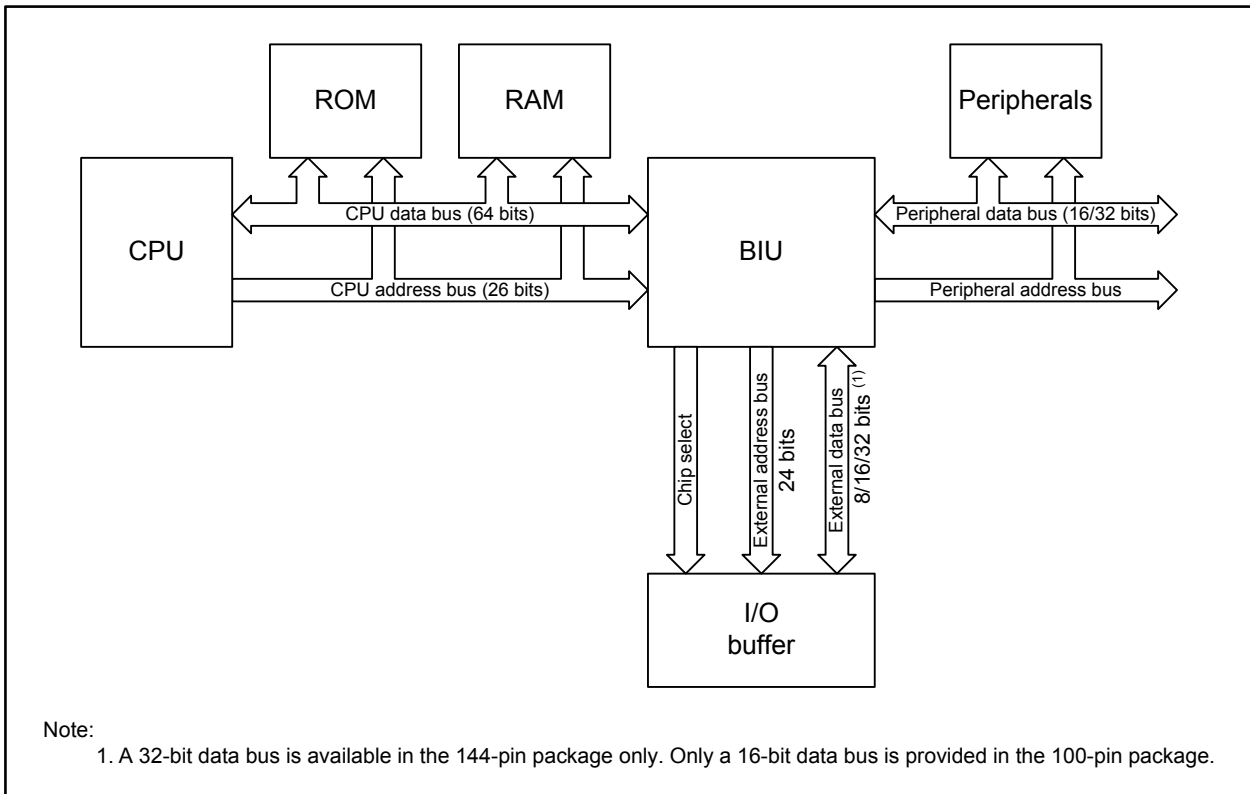


Figure 9.1 Bus Block Diagram

In memory expansion mode or microprocessor mode, some pins function as bus control pin to control the address bus and the data bus. The bus control pins are as follows: A0 to A23, D0 to D31, CS0 to CS3, WR0/WR, BC0, WR1/BC1, WR2/BC2, WR3/BC3, RD, BCLK, HLDA, HOLD, ALE, and RDY.

9.1 Bus Settings

The bus settings are controlled by the two lowest bits of the reset vector, the PBC register, registers EBC0 to EBC3, and CSOP0 to CSOP2.

Table 9.1 lists bus settings and their sources.

Table 9.1 Bus Settings and Sources

Bus Settings	Sources
Internal SFR bus timing	PBC register
External bus timing	Registers EBC0 to EBC3
External data bus width	PBC register, registers EBC0 to EBC3
External data bus width after reset	Two lowest bits of the reset vector
Separate bus/multiplexed bus selection	PBC register, registers EBC0 to EBC3
Pins outputting chip select signals	Registers CSOP0 to CSOP2

9.2 Peripheral Bus Timing Setting

The 16-/32-bit wide peripheral bus operates at a frequency up to 32 MHz (the theoretical value and the maximum frequency of each product group are as defined by $f(\text{BCLK})$ in 27. "Electrical Characteristics"). The timing adjustment and bus-width conversion with the faster, 64-bit wide CPU bus are controlled in the bus interface unit (BIU).

Figure 9.2 shows the PBC register which determines the peripheral bus timing.

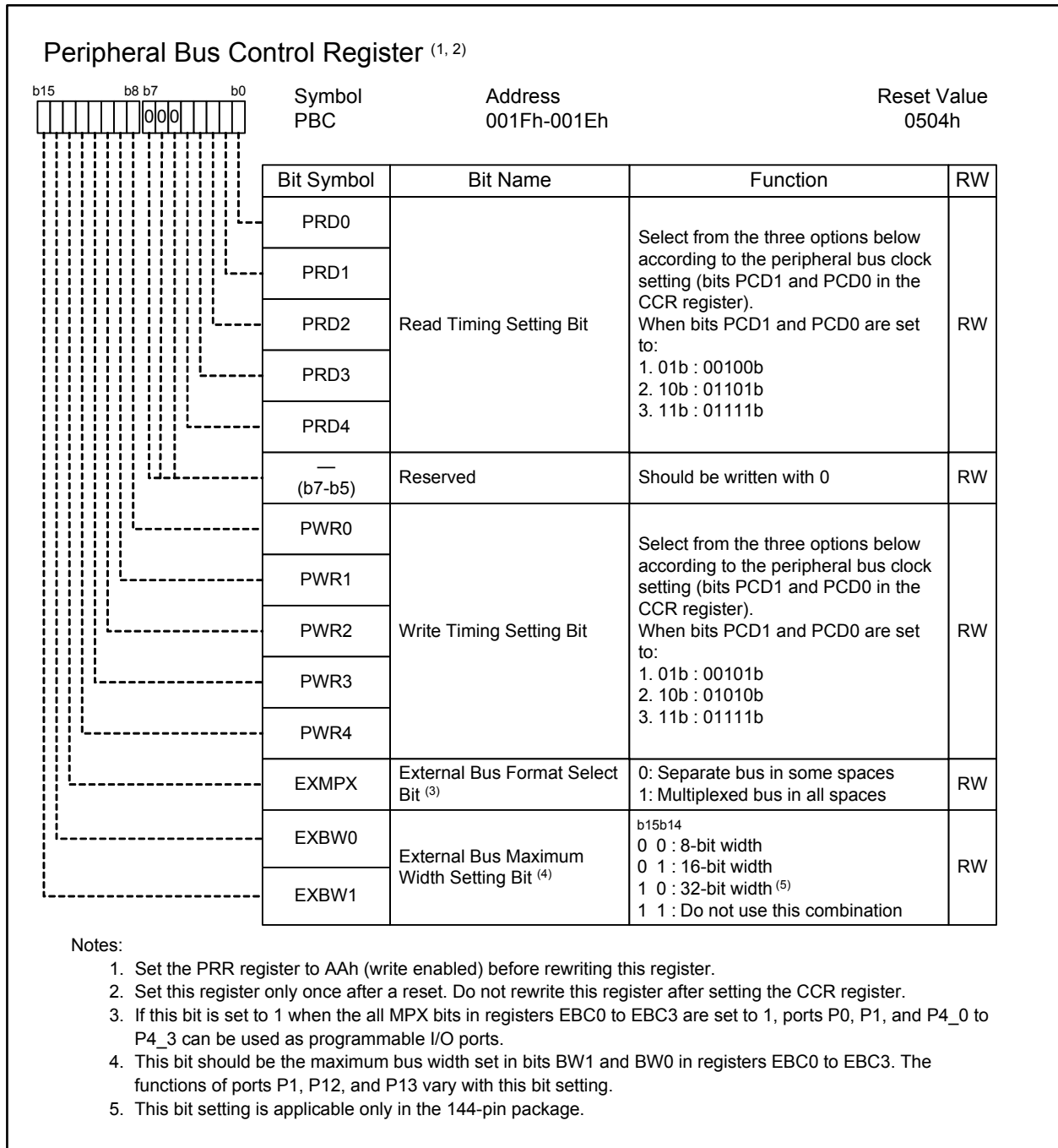


Figure 9.2 PBC Register

9.3 External Bus Setting

The 8-/16-/32-bit wide external bus operates at a frequency up to 32 MHz (the theoretical value and the maximum frequency of each product group are as defined by $f(\text{BCLK})$ in 27. “Electrical Characteristics”). The timing adjustment and bus-width conversion with the faster 64-bit wide CPU bus are controlled in the bus interface unit (BIU).

9.3.1 External Address Space Setting

The internal address bus of the R32C/100 Series MCU consists of 26 address lines (A0 to A25). Since A25 is sign extended to A26 to A31, the MCU has 64 MB of accessible space addresses from 00000000h to 01FFFFFFh and from FE000000h to FFFFFFFFh.

Up to 24 address lines from A0 to A23 can be used for external output. Decoded A18 to A25 function as 4 chip select signals ($\overline{\text{CS}}_3$ to $\overline{\text{CS}}_0$). If a 16 MB space is assigned to each chip select signal, up to 63.5 MB can be used as external address space. When the processor mode is changed from single-chip mode to memory expansion mode, the address bus status is undefined until an external space is accessed.

Chip select signals $\overline{\text{CS}}_3$ to $\overline{\text{CS}}_0$ share pins with A20 to A23, respectively. Other combinations of signal and output port are also available as follows: signals $\overline{\text{CS}}_0$ to $\overline{\text{CS}}_3$ with ports P11_0 to P11_3, and signals $\overline{\text{CS}}_1$ to $\overline{\text{CS}}_3$ with ports P5_4, P5_6, and P5_7.

In microprocessor mode, the $\overline{\text{CS}}_0$ signal is output from port P4_7 after a reset. The maximum space per chip select signal is 8 MB since A23 is not available. Signals $\overline{\text{CS}}_1$ to $\overline{\text{CS}}_3$ are output only when being set.

$\overline{\text{CS}}_i$ ($i = 0$ to 3) is held low while accessing an external space i . It becomes high when accessing another external space. Figure 9.3 shows output examples of address bus and chip select signals.

Set registers CSOP0 to CSOP2 to select a chip select signal to be used and its output pin. Set registers CB01, CB12, and CB23 to set the address space for each chip select signal.

Figures 9.4 to 9.6 show registers CSOP0 to CSOP2. Figures 9.7, 9.8, and 9.9 show registers CB01, CB12, and CB23, respectively. Figures 9.10 and 9.11 show the chip select space.

A chip select signal should not be set for more than two output pins in registers CSOP0 to CSOP2. Registers CB01, CB12, and CB23 should be set to meet the conditions below:

- In memory expansion mode

$$0080000\text{h} \leq (\text{CB}23 \times 2^{18}) \leq (\text{CB}12 \times 2^{18}) \leq (\text{CB}01 \times 2^{18}) \leq 3\text{DC}0000\text{h}$$

- In microprocessor mode

$$0080000\text{h} \leq (\text{CB}23 \times 2^{18}) \leq (\text{CB}12 \times 2^{18}) \leq (\text{CB}01 \times 2^{18}) \leq 3\text{FC}0000\text{h}$$

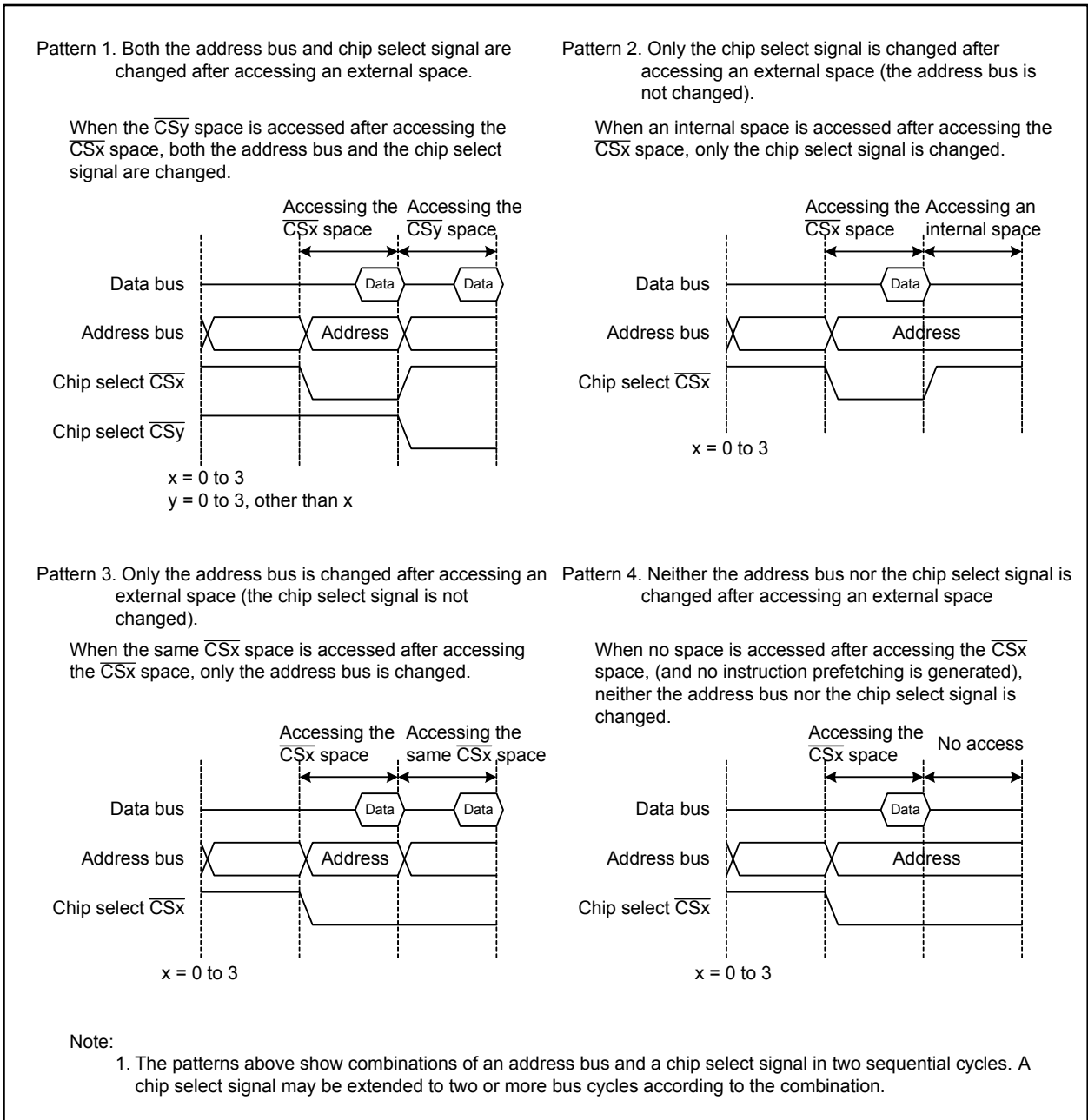


Figure 9.3 Address Bus and Chip Select Signal Output Patterns (in separate bus format)

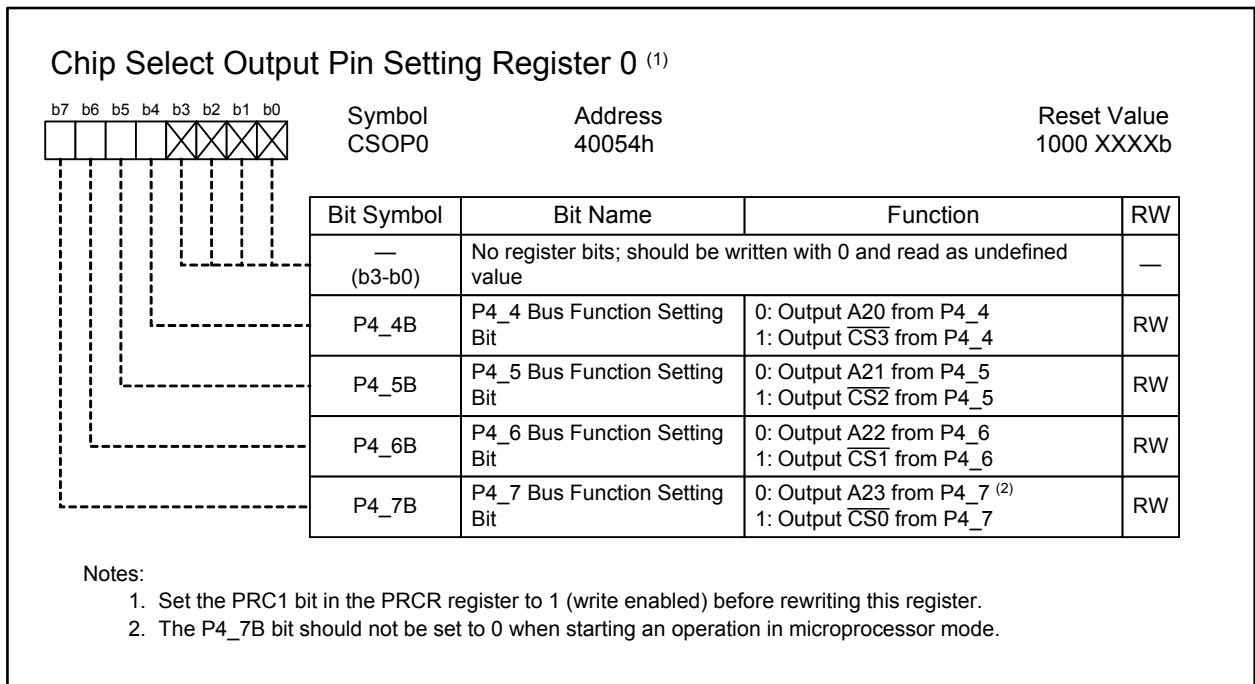


Figure 9.4 CSOP0 Register

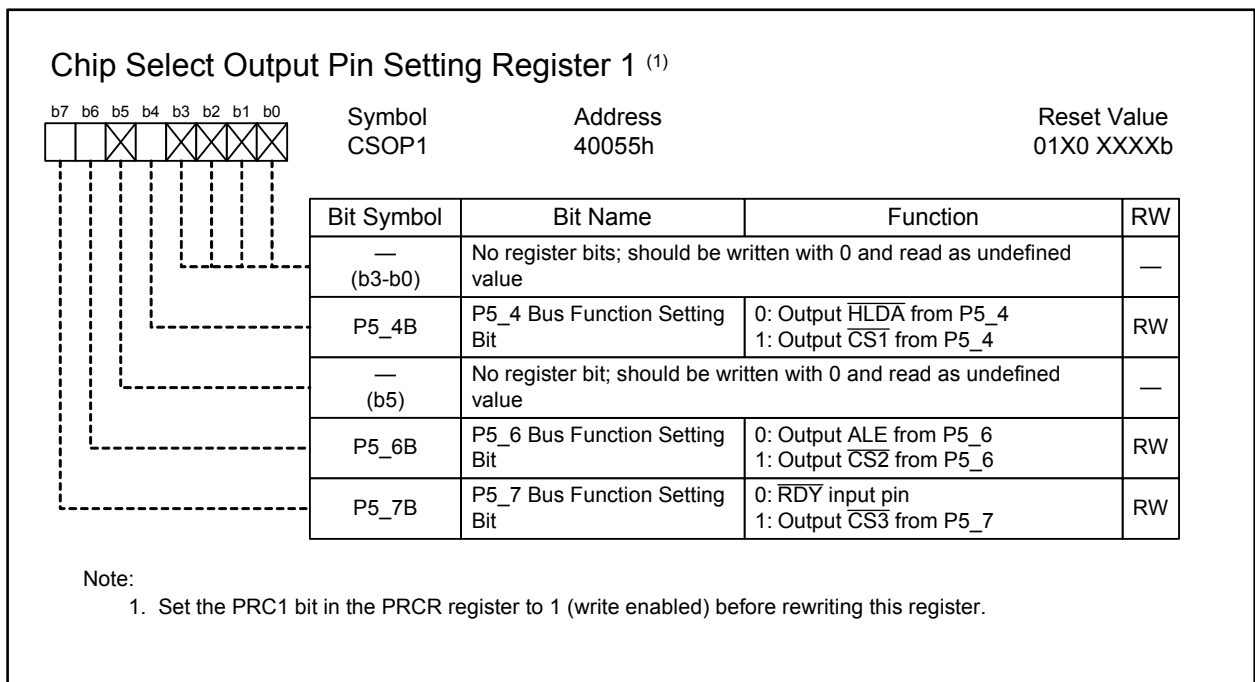


Figure 9.5 CSOP1 Register

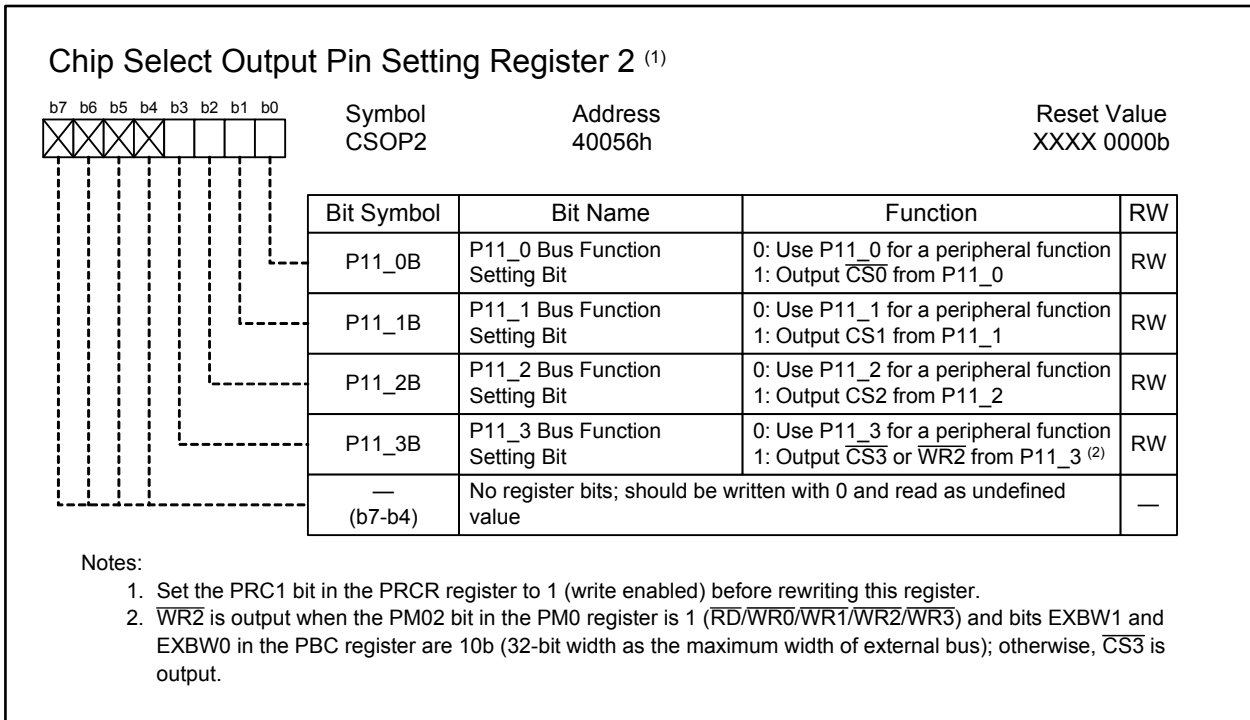


Figure 9.6 CSOP2 Register

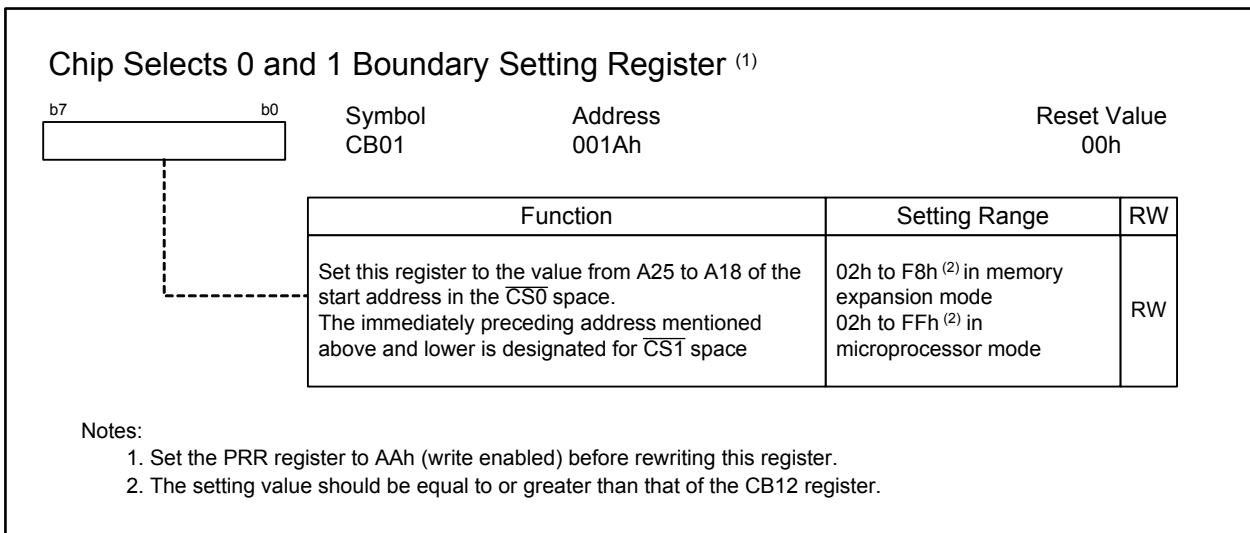
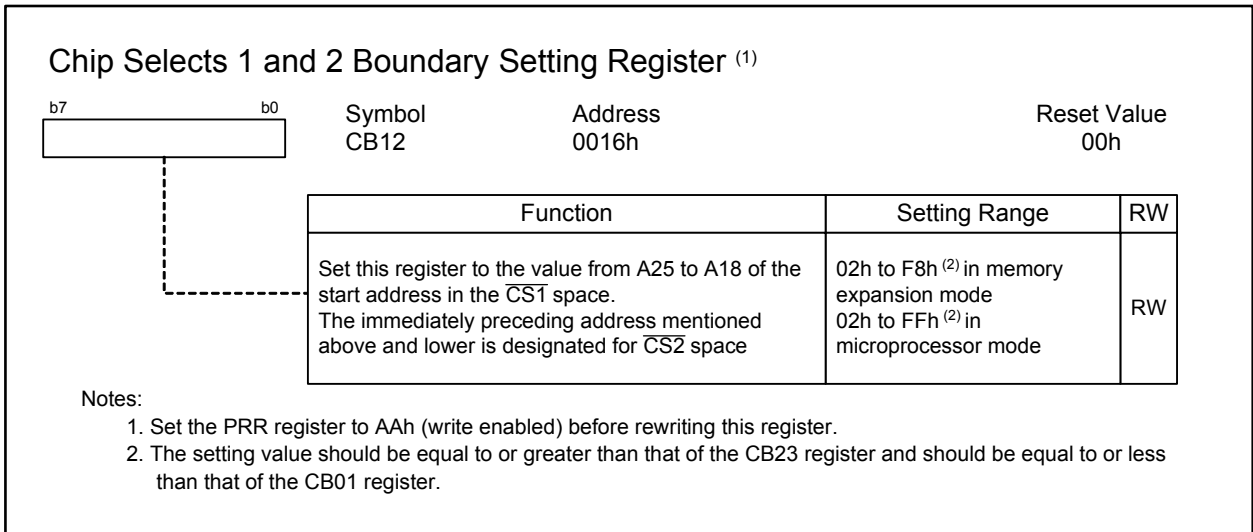
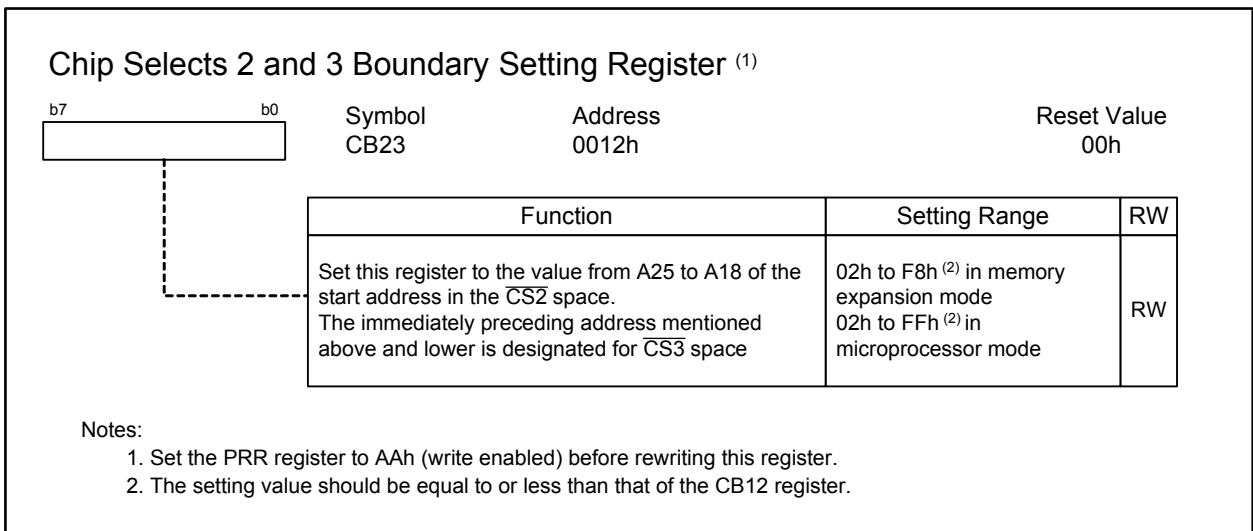


Figure 9.7 CB01 Register

**Figure 9.8 CB12 Register****Figure 9.9 CB23 Register**

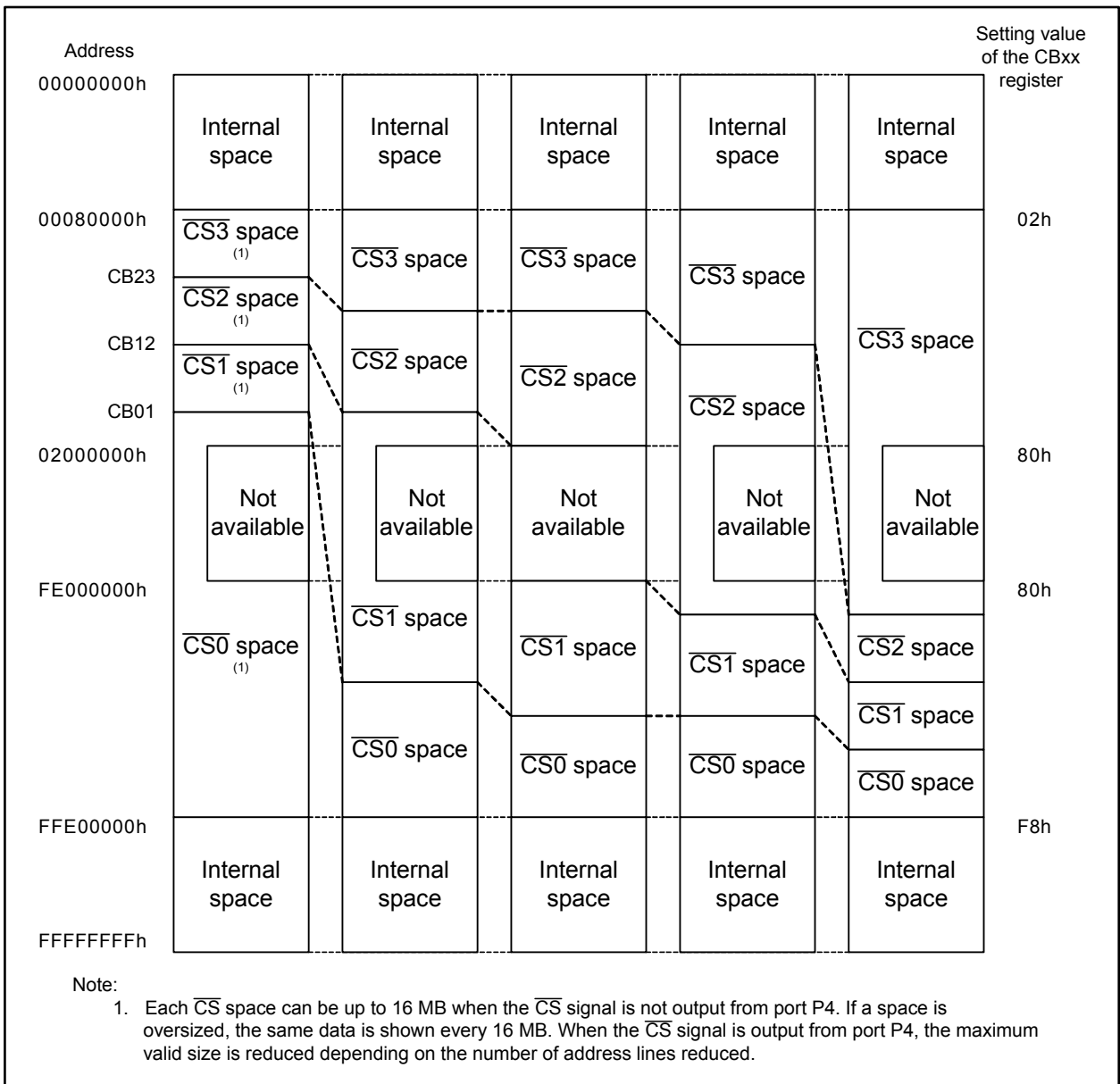


Figure 9.10 Chip Select Spaces in Memory Expansion Mode

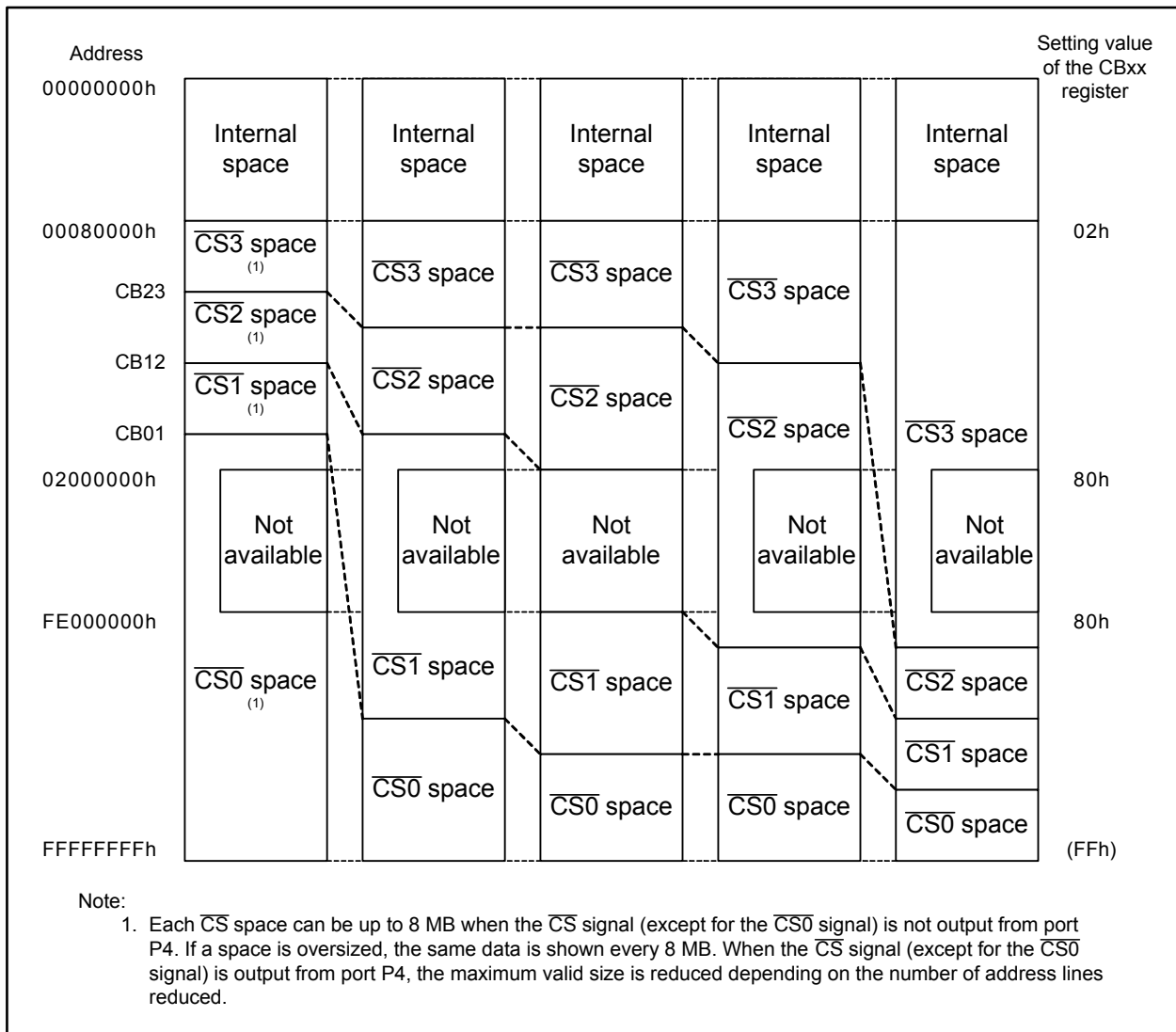


Figure 9.11 Chip Select Spaces in Microprocessor Mode

9.3.2 External Data Bus Width Setting

The external data bus width is selectable among 8 bits, 16 bits, and 32 bits. The bus width of each space is selected by setting bits BW1 and BW0 in registers EBC0 to EBC3. The maximum bus width for all spaces is selected by setting bits EXBW1 and EXBW0 in the PBC register. The bus width specified in bits EXBW1 and EXBW0 should be equal to or greater than the value specified in bits BW1 and BW0.

When an accessed space has a bus width less than that specified in bits EXBW1 and EXBW0, an undefined value is output from the unused data output pins.

Figure 9.12 shows registers EBC0 to EBC3.

External Bus Control Register i ($i = 0$ to 3) ⁽¹⁾			
Symbol	Address	Reset Value	
EBC0, EBC1	001Dh-001Ch, 0019h-0018h	0000h	
EBC2, EBC3	0015h-0014h, 0011h-0010h	0000h	

Bit Symbol	Bit Name	Function	RW		
ESUR0	Address Setup Cycles Before Read Setting Bit ⁽²⁾	b1 b0 0 0 : $sur = 0$ 0 1 : $sur = 1$ 1 0 : $sur = 2$ 1 1 : $sur = 3$	RW		
ESUR1					
EWR0				Read Pulse Width Setting Bit ⁽²⁾	b3 b2 0 0 : $wr = 1$ 0 1 : $wr = 2$ 1 0 : $wr = 3$ 1 1 : $wr = 4$
EWR1					
— (b4)	Reserved	Should be written with 1	RW		
RDY	\overline{RDY} Monitor Bit	0: Ignore \overline{RDY} 1: Use \overline{RDY}	RW		
MPY0	Multiplied Cycle Setting Bit ⁽²⁾	b7 b6 0 0 : $mpy = 1$ 0 1 : $mpy = 2$ 1 0 : $mpy = 3$ 1 1 : $mpy = 4$	RW		
MPY1					
ESUW0	Address Setup Cycles Before Write Setting Bit ⁽²⁾	b9 b8 0 0 : $suw = 0$ 0 1 : $suw = 1$ 1 0 : $suw = 2$ 1 1 : $suw = 3$	RW		
ESUW1					
EWW0	Write Pulse Width Setting Bit ⁽²⁾	b11b10 0 0 : $ww = 1$ 0 1 : $ww = 2$ 1 0 : $ww = 3$ 1 1 : $ww = 4$	RW		
EWW1					
— (b12)	Reserved	Should be written with 1	RW		
MPX	External Bus Format Select Bit	0: Separate bus 1: Multiplexed bus	RW		
BW0	External Bus Width Setting Bit ⁽³⁾	b15b14 0 0 : 8-bit width 0 1 : 16-bit width 1 0 : 32-bit width ⁽⁴⁾ 1 1 : Do not use this combination	RW		
BW1					

Notes:

1. Set the PRR register to AAh (write enabled) before rewriting this register.
2. Refer to 9.3.5. "External Bus Timing" for the relation between register settings and practical timing.
3. The maximum value set here should be applied to bits EXBW1 and EXBW0 in the PBC register.
4. This bit setting is applicable only in the 144-pin package.

Figure 9.12 Registers EBC0 to EBC3

9.3.3 Separate Bus/Multiplexed Bus Selection

The bus format is selectable between separate bus format and multiplexed bus format. The bus format for each space is selected by setting the MPX bit in registers EBC0 to EBC3. To select the multiplexed bus format for all spaces, the EXPMX bit in the PBC register should be set to 1 (multiplexed bus in all spaces). In this case, ports P0, P1, and P4_0 to P4_3 can be used as programmable I/O ports.

(1) Separate Bus

In this bus format, the data bus and address bus have their own I/O pins.

To select separate bus mode, the MPX bit in registers EBC0 to EBC3 should be set to 0. The data bus width is selectable among 8 bits, 16 bits, and 32 bits by setting bits BW1 and BW0 in registers EBC0 to EBC3.

When bits EXBW1 and EXBW0 in the PBC register are 00b (8-bit width), port P0 is the data bus, and ports P1, P12, and P13 are programmable I/O ports.

When bits EXBW1 and EXBW0 are 01b (16-bit width), ports P0 and P1 are data buses, and Ports P12 and P13 are programmable I/O ports. Note that port P1 (D8 to D15) becomes undefined if the MCU accesses an space where bits BW1 and BW0 are to 00b (8-bit width).

When bits EXBW1 and EXBW0 are 10b (32-bit width), ports P0, P1, P12, and P13 are data lines. Note that ports P1, P12, and P13 (D8 to D31) become undefined if the MCU accesses an space where bits BW1 and BW0 are 00b (8-bit width), and ports P12 and P13 (D16 to D31) become undefined if the MCU accesses an space where bits BW1 and BW0 are 01b (16-bit width).

(2) Multiplexed Bus

In this bus format, the data bus and address bus are time division multiplexed.

To select multiplexed bus mode, the MPX bit in registers EBC0 to EBC3 should be set to 1.

When bits BW1 and BW0 in registers EBC0 to EBC3 are 00b (8-bit width), D0 to D7 are multiplexed with A0 to A7. When bits BW1 and BW0 are 01b (16-bit width) or 10b (32-bit width), D0 to D15 are multiplexed with $\overline{BC0}$, A1/ $\overline{BC2}$, and A2 to A15.

In microprocessor mode, an operation is started in separate bus format after a reset. Therefore the multiplexed bus format can only be used for $\overline{CS1}$ to $\overline{CS3}$ spaces and cannot be used for the $\overline{CS0}$ space.

Table 9.2 lists pin functions for each processor mode and Table 9.3 lists pin functions for each bus format.

Table 9.2 Processor Mode and Pin Functions (1)

Process or Mode	Single-chip Mode	Microprocessor Mode/Memory Expansion Mode						Memory Expansion Mode		
Bus format	—	Separate bus only (EXMPX = 0)			Separate bus and multiplexed bus (mixed) (EXMPX = 0)			Multiplexed bus only (EXMPX = 1)		
Data bus width	—	8 bits only	8/16 bits (mixed)	8/16/32 bits (mixed)	8 bits only	8/16 bits (mixed)	8/16/32 bits (mixed)	8 bits only	8/16 bits (mixed)	8/16/32 bits (mixed)
P0_0 to P0_7	I/O ports	D0 to D7						I/O ports		
P1_0 to P1_7	I/O ports	I/O ports	D8 to D15		I/O ports	D8 to D15		I/O ports		
P2_0	I/O port	A0	A0 or $\overline{BC0}$		A0 or A0/D0	A0, A0/D0, $\overline{BC0}$, or $\overline{BC0}/D0$		A0/D0	A0/D0 or $\overline{BC0}/D0$	
P2_1	I/O port	A1	A1 or $\overline{BC2}$		A1 or A1/D1		A1, A1/D1, $\overline{BC2}$, or $\overline{BC2}/D1$	A1/D1		A1/D1 or $\overline{BC2}/D1$
P2_2 to P2_7	I/O ports	A2 to A7			A2 to A7 or A2/D2 to A7/D7			A2/D2 to A7/D7		
P3_0 to P3_7	I/O ports	A8 to A15			A8 to A15	A8 to A15 or A8/D8 to A15/D15		A8 to A15	A8/D8 to A15/D15	
P4_0 to P4_3	I/O ports	A16 to A19						I/O ports		
P4_4	I/O port	A20 or $\overline{CS3}$								
P4_5	I/O port	A21 or $\overline{CS2}$								
P4_6	I/O port	A22 or $\overline{CS1}$								
P4_7	I/O port	A23 or $\overline{CS0}$								
P5_0	I/O port	\overline{WR} or $\overline{WR0}$								
P5_1	I/O port	Undefined (2)	$\overline{BC1}$ or $\overline{WR1}$		Undefined (2)	$\overline{BC1}$ or $\overline{WR1}$		Undefined (2)	$\overline{BC1}$ or $\overline{WR1}$	
P5_2	I/O port	RD								
P5_3	I/O port	BCLK								
P5_4	I/O port	\overline{HLDA} or $\overline{CS1}$								
P5_5	I/O port	HOLD								
P5_6	I/O port	ALE or $\overline{CS2}$			Set to ALE					
P5_7	I/O port	\overline{RDY} or $\overline{CS3}$								
P11_0 to P11_2	I/O ports	$\overline{CS0}$ to $\overline{CS2}$ or I/O ports								
P11_3	I/O port	$\overline{CS3}$ or I/O port		$\overline{CS3}$ or $\overline{WR2}$	$\overline{CS3}$ or I/O port		$\overline{CS3}$ to $\overline{WR2}$	$\overline{CS3}$ or I/O port		$\overline{CS3}$ or $\overline{WR2}$
P11_4	I/O port	I/O port		$\overline{BC3}$ or $\overline{WR3}$	I/O port		$\overline{BC3}$ to $\overline{WR3}$	I/O port		$\overline{BC3}$ or $\overline{WR3}$
P12_0 to P12_7	I/O ports	I/O ports		D16 to D23		I/O ports		D16 to D23		I/O ports
P13_0 to P13_7	I/O ports	I/O ports		D24 to D31		I/O ports		D24 to D31		I/O ports

Notes:

1. Ports P11 to P15 are available only in the 144-pin package.
2. An undefined value is output.

Table 9.3 Bus Format and Pin Functions (in Microprocessor Mode/Memory Expansion Mode) (1)

Bus Format	Separate Bus			Multiplexed Bus		
MPX bit	0			1		
Bus width	8 bits	16 bits	32 bits	8 bits	16 bits	32 bits
Bits BW1 to BW0	00b	01b	10b	00b	01b	10b
P0_0 to P0_7	D0 to D7			I/O ports		
P1_0 to P1_7	I/O ports	D8 to D15		I/O ports		
P2_0	A0	$\overline{BC0}$		A0/D0	$\overline{BC0}/D0$	
P2_1	A1		$\overline{BC2}$	A1/D1		$\overline{BC2}/D1$
P2_2 to P2_7	A2 to A7			A2/D2 to A7/D7		
P3_0 to P3_7	A8 to A15			A8/D8 to A15/D15		
P4_0 to P4_3	A16 to A19			A16 to A19 or I/O ports		
P4_4	A20 or $\overline{CS3}$					
P4_5	A21 or $\overline{CS2}$					
P4_6	A22 or $\overline{CS1}$					
P4_7	A23 or $\overline{CS0}$ ($\overline{CS0}$ fixed in microprocessor mode)					
P5_0	\overline{WR} or $\overline{WR0}$					
P5_1	Undefined (2)	$\overline{BC1}$ or $\overline{WR1}$		Undefined (2)	$\overline{BC1}$ or $\overline{WR1}$	
P5_2	\overline{RD}					
P5_3	BCLK					
P5_4	HLDA or $\overline{CS1}$					
P5_5	\overline{HOLD}					
P5_6	ALE or $\overline{CS2}$			Set to ALE		
P5_7	\overline{RDY} or $\overline{CS3}$					
P11_0 to P11_2	$\overline{CS0}$ to $\overline{CS2}$ or I/O ports					
P11_3	$\overline{CS3}$ or I/O port		$\overline{CS3}$ or $\overline{WR2}$	$\overline{CS3}$ or I/O port		$\overline{CS3}$ or $\overline{WR2}$
P11_4	I/O port		$\overline{BC3}$ or $\overline{WR3}$	I/O port		$\overline{BC3}$ or $\overline{WR3}$
P12_0 to P12_7	I/O ports		D16 to D23	I/O ports		D16 to D23
P13_0 to P13_7	I/O ports		D24 to D31	I/O ports		D24 to D31

Notes:

1. Ports P11 to P15 are available only in the 144-pin package.
2. An undefined value is output.

9.3.4 Read and Write Signals

When the data bus is 16 or 32 bits, set the PM02 bit in the PM0 register to select a combination of \overline{RD} , \overline{WR} , $\overline{BC0}$, $\overline{BC1}$, $\overline{BC2}$, and $\overline{BC3}$, or \overline{RD} , $\overline{WR0}$, $\overline{WR1}$, $\overline{WR2}$, and $\overline{WR3}$ as read or write signals.

When bits EXBW1 and EXBW0 in the PBC register are 00b (8-bit width), the PM02 bit should be set to 0 ($\overline{RD}/\overline{WR}/\overline{BC0}/\overline{BC1}/\overline{BC2}/\overline{BC3}$). When accessing an 8-bit space while bits EXBW1 and EXBW0 are 01b (16-bit width) or 10b (32-bit width), the combination of \overline{RD} , \overline{WR} , $\overline{BC0}$, $\overline{BC1}$, $\overline{BC2}$, and $\overline{BC3}$ is selected irrespective of the PM02 bit setting.

Tables 9.4 and 9.5 list the operation of each signal.

The read and write signals after a reset are in the following combination: \overline{RD} , \overline{WR} , $\overline{BC0}$, $\overline{BC1}$, $\overline{BC2}$, and $\overline{BC3}$. To change to the combination of \overline{RD} , $\overline{WR0}$, $\overline{WR1}$, $\overline{WR2}$, and $\overline{WR3}$, set the PM02 bit before writing data to external memory.

Table 9.4 \overline{RD} , $\overline{WR0}$, $\overline{WR1}$, $\overline{WR2}$, and $\overline{WR3}$ Signals (1)

Data Bus Width	\overline{RD}	$\overline{WR0}$	$\overline{WR1}$	$\overline{WR2}$	$\overline{WR3}$	External Data Bus Status
32 bits (2)	L	H	H	H	H	Read 4-byte data
	H	L	H	H	H	Write 1-byte data to address 4n+0
	H	H	L	H	H	Write 1-byte data to address 4n+1
	H	H	H	L	H	Write 1-byte data to address 4n+2
	H	H	H	H	L	Write 1-byte data to address 4n+3
	H	L	L	H	H	Write 2-byte data to addresses 4n+0 to 4n+1
	H	H	L	L	H	Write 2-byte data to addresses 4n+1 to 4n+2
	H	H	H	L	L	Write 2-byte data to addresses 4n+2 to 4n+3
	H	L	L	L	H	Write 3-byte data to addresses 4n+0 to 4n+2
	H	H	L	L	L	Write 3-byte data to addresses 4n+1 to 4n+3
H	L	L	L	L	Write 4-byte data to addresses 4n+0 to 4n+3	
16 bits	L	H	H	H/L (A1)	—	Read 2-byte data
	H	L	H	H/L (A1)	—	Write 1-byte data to even address
	H	H	L	H/L (A1)	—	Write 1-byte data to odd address
	H	L	L	H/L (A1)	—	Write 2-byte data to both even and odd addresses
8 bits	L	H (\overline{WR})	—	H/L (A1)	—	Read 1-byte data
	H	L (\overline{WR})	—	H/L (A1)	—	Write 1-byte data

Notes:

1. Signals $\overline{WR2}$ and $\overline{WR3}$ are available only in the 144-pin package.
2. Signals for the 32-bit data bus width can only be set in the 144-pin package.

Table 9.5 \overline{RD} , \overline{WR} , $\overline{BC0}$, $\overline{BC1}$, $\overline{BC2}$, and $\overline{BC3}$ Signals⁽¹⁾

Data Bus Width	\overline{RD}	\overline{WR}	$\overline{BC0}$	$\overline{BC1}$	$\overline{BC2}$	$\overline{BC3}$	External Data Bus Status
32 bits ⁽²⁾	L	H	L	L	L	L	Read 4-byte data
	H	L	L	H	H	H	Write 1-byte data to address 4n+0
	H	L	H	L	H	H	Write 1-byte data to address 4n+1
	H	L	H	H	L	H	Write 1-byte data to address 4n+2
	H	L	H	H	H	L	Write 1-byte data to address 4n+3
	H	L	L	L	H	H	Write 2-byte data to addresses 4n+0 to 4n+1
	H	L	H	L	L	H	Write 2-byte data to addresses 4n+1 to 4n+2
	H	L	H	H	L	L	Write 2-byte data to addresses 4n+2 to 4n+3
	H	L	L	L	L	H	Write 3-byte data to addresses 4n+0 to 4n+2
	H	L	H	L	L	L	Write 3-byte data to addresses 4n+1 to 4n+3
16 bits	L	H	L	L	H/L (A1)	—	Read 2-byte data
	H	L	L	H	H/L (A1)	—	Write 1-byte data to even address
	H	L	H	L	H/L (A1)	—	Write 1-byte data to odd address
	H	L	L	L	H/L (A1)	—	Write 2-byte data to both even and odd addresses
8 bits	L	H	H/L (A0)	—	H/L (A1)	—	Read 1-byte data
	H	L	H/L (A0)	—	H/L (A1)	—	Write 1-byte data

Notes:

1. Signals $\overline{BC2}$ and $\overline{BC3}$ are available only in the 144-pin package.
2. Signals for the 32-bit data bus width can only be set in the 144-pin package.

9.3.5 External Bus Timing

The external bus timing is configured by setting registers EBC0 to EBC3. The reference clock is the base clock selected by setting bits BCD1 and BCD0 in the CCR register.

Table 9.6 lists the bit setting of MPY1, MPY0, ESUR1, and ESUR0 and the $T_{su}(A-R)$ (address setup cycles before read), Table 9.7 lists the bit setting of MPY1, MPY0, EWR1, and EWR0 and the $T_w(R)$ (read pulse width), Table 9.8 lists the bit setting of MPY1, MPY0, ESUW1, and ESUW0 and the $T_{su}(A-W)$ (address setup cycles before write), and Table 9.9 lists the bit setting of MPY1, MPY0, EWW1, and EWW0 and the $T_w(W)$ (write pulse width).

Table 9.6 $T_{su}(A-R)$ and Bit Settings: MPY1, MPY0, ESUR1, and ESUR0 (unit: cycles)

ESUR1 and ESUR0 Bit Settings		Separate Bus				Multiplexed Bus			
		MPY1 and MPY0 bit settings				MPY1 and MPY0 bit settings			
		00b	01b	10b	11b	00b	01b	10b	11b
		$mpy = 1$	$mpy = 2$	$mpy = 3$	$mpy = 4$	$mpy = 1$	$mpy = 2$	$mpy = 3$	$mpy = 4$
00b	$sur = 0$	0.5	0.5	0.5	0.5	1	1	1	1
01b	$sur = 1$	1.5	2.5	3.5	4.5	2	3	4	5
10b	$sur = 2$	2.5	4.5	6.5	8.5	3	5	7	9
11b	$sur = 3$	3.5	6.5	9.5	12.5	4	7	10	13
Formula		$T_{su}(A-R) = sur \times mpy + 0.5$				$T_{su}(A-R) = sur \times mpy + 1$			

Table 9.7 $T_w(R)$ and Bit Settings: MPY1, MPY0, EWR1, and EWR0 (unit: cycles)

EWR1 and EWR0 Bit Settings		Separate Bus				Multiplexed Bus			
		MPY1 and MPY0 bit setting				MPY1 and MPY0 bit setting			
		00b	01b	10b	11b	00b	01b	10b	11b
		$mpy = 1$	$mpy = 2$	$mpy = 3$	$mpy = 4$	$mpy = 1$	$mpy = 2$	$mpy = 3$	$mpy = 4$
00b	$wr = 1$	1.5	2.5	3.5	4.5	0.5 (1)	1.5	2.5	3.5
01b	$wr = 2$	2.5	4.5	6.5	8.5	1.5	3.5	5.5	7.5
10b	$wr = 3$	3.5	6.5	9.5	12.5	2.5	5.5	8.5	11.5
11b	$wr = 4$	4.5	8.5	12.5	16.5	3.5	7.5	11.5	15.5
Formula		$T_w(R) = wr \times mpy + 0.5$				$T_w(R) = wr \times mpy - 0.5$			

Note:

1. Do not set this value.

Table 9.8 Tsu(A-W) and the Bit Settings: MPY1, MPY0, ESUW1, and ESUW0 (unit: cycles)

ESUW1 and ESUW0 Bit Settings		MPY1 and MPY0 Bit Settings			
		00b	01b	10b	11b
		$mpy = 1$	$mpy = 2$	$mpy = 3$	$mpy = 4$
00b	$suw = 0$	1	1	1	1
01b	$suw = 1$	2	3	4	5
10b	$suw = 2$	3	5	7	9
11b	$suw = 3$	4	7	10	13
Formula		$Tsu(A-W) = suw \times mpy + 1$			

Table 9.9 Tw(W) and the Bit Settings: MPY1, MPY0, EWW1, and EWW0 (unit: cycles)

EWW1 and EWW0 Bit Settings		MPY1 and MPY0 Bit Settings			
		00b	01b	10b	11b
		$mpy = 1$	$mpy = 2$	$mpy = 3$	$mpy = 4$
00b	$ww = 1$	0.5 (1)	1.5	2.5	3.5
01b	$ww = 2$	1.5	3.5	5.5	7.5
10b	$ww = 3$	2.5	5.5	8.5	11.5
11b	$ww = 4$	3.5	7.5	11.5	15.5
Formula		$Tw(W) = ww \times mpy - 0.5$			

Note:

1. Do not set this value.

Figure 9.13 and 9.14 show examples of external bus timing in separate bus format (the MPX bit is set to 0) and in multiplexed bus format (the MPX bit is set to 1), respectively.

Note that the actual bus cycles are adjusted to be the integral multiple of peripheral bus clock as follows:

- Peripheral bus clock divided by 2: If the calculation result is odd, an idle cycle is inserted so that the bus cycles becomes even.
- Peripheral bus clock divided by 3: If the calculation result is not a multiple of three, (an) idle cycle(s) is/are inserted so that the bus cycles becomes a multiple of three.
- Peripheral bus clock divided by 4: If the calculation result is not a multiple of four, (an) idle cycle(s) is/are inserted so that the bus cycles becomes a multiple of four.

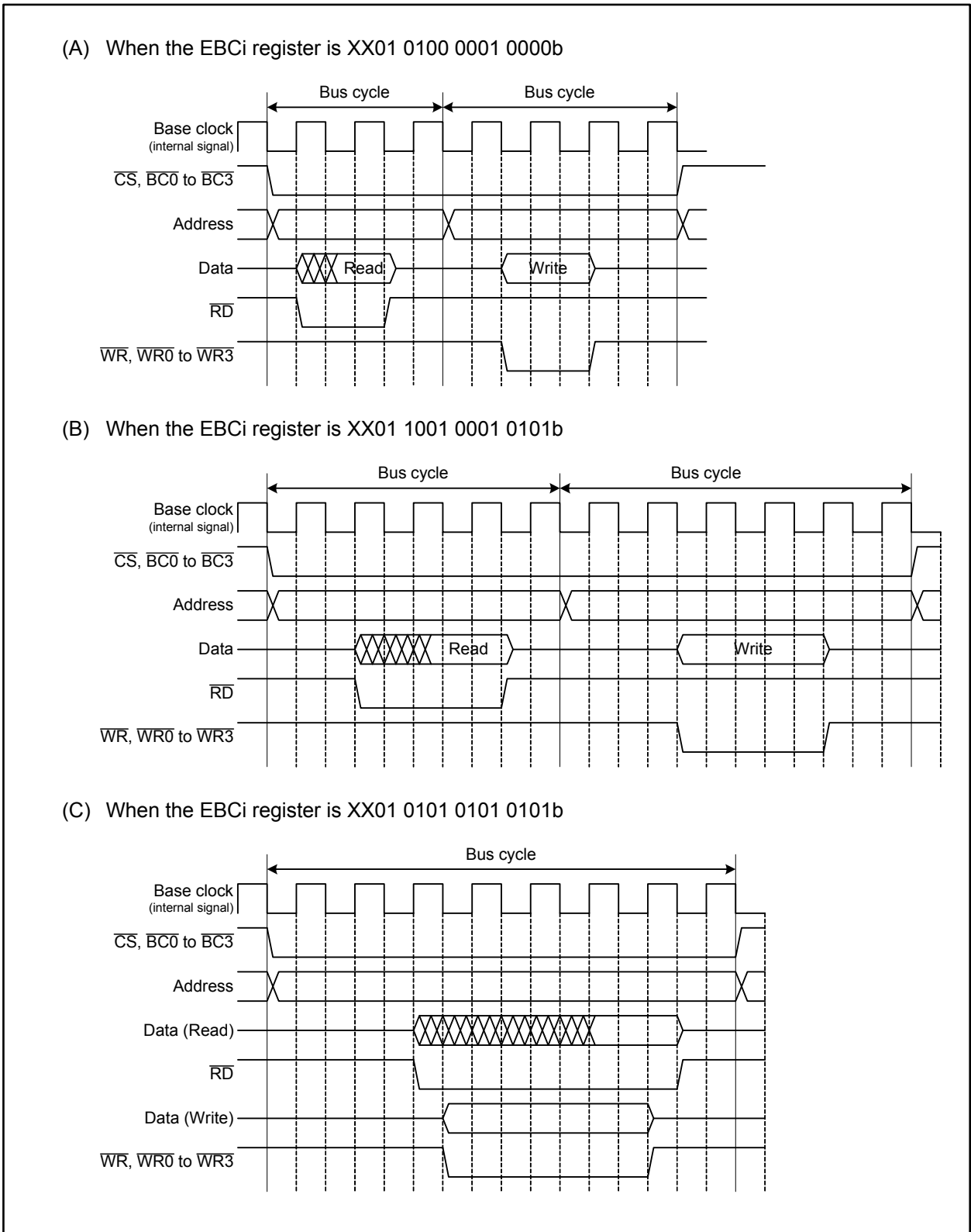
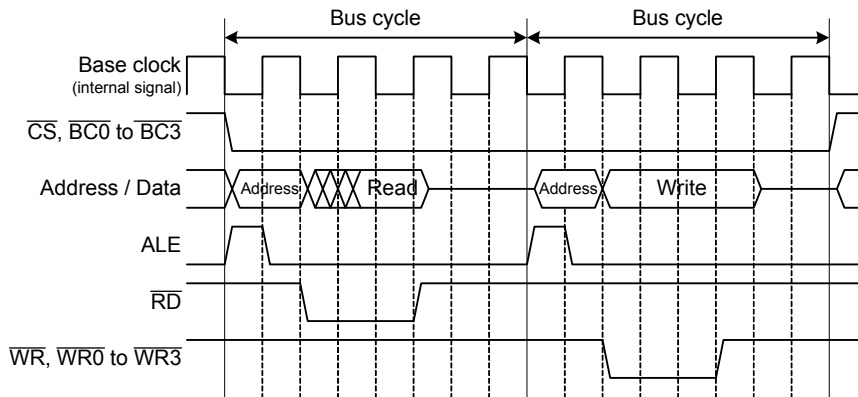
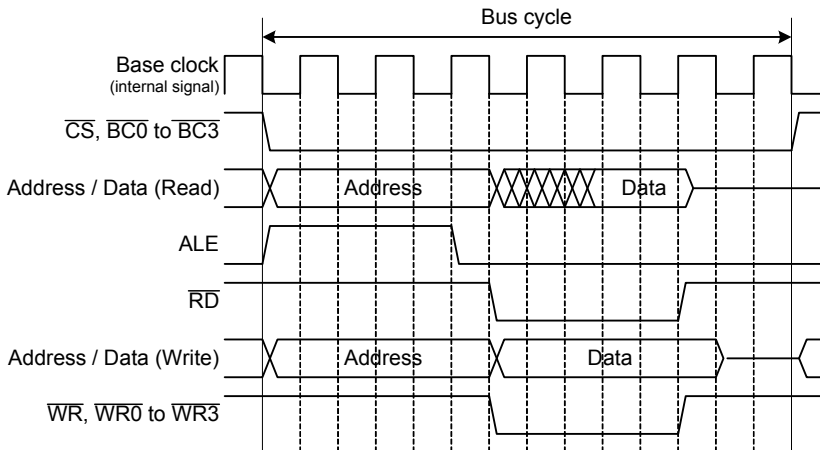


Figure 9.13 External Bus Timing in Separate Bus Format (i = 0 to 3)

(A) When the EBCi register is XX11 0100 0001 0100b



(B) When the EBCi register is XX11 1010 0001 1010b



(C) When the EBCi register is XX11 0101 0101 0101b

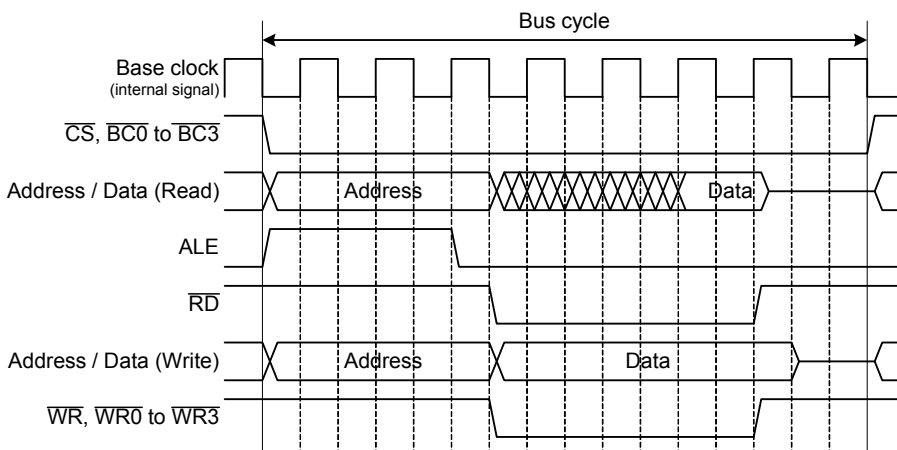


Figure 9.14 External Bus Timing in Multiplexed Bus Format (i = 0 to 3)

9.3.6 ALE Signal

The ALE signal latches an address of the multiplexed bus. The address should be latched on the falling edge of the ALE signal. This signal is output to internal space or external space.

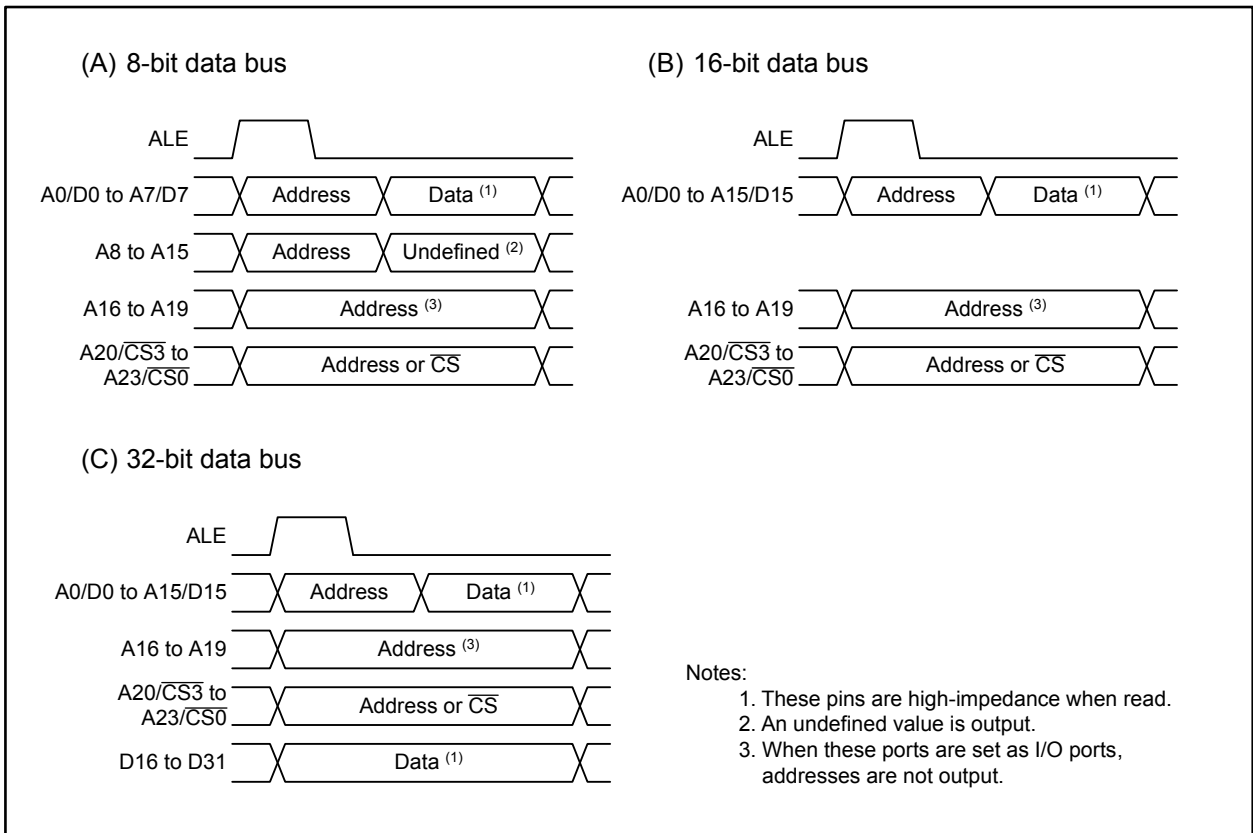


Figure 9.15 ALE Signal and Address Bus/Data Bus

The ALE signal becomes high when a bus cycle is started and changes to low at 1/2 base clock before \overline{RD} or \overline{WR} becomes low.

9.3.7 $\overline{\text{RDY}}$ Signal

The $\overline{\text{RDY}}$ signal facilitates access to external devices requiring longer access time. It is used when accessing an external device with a lower access rate than the timing set in registers EBC0 to EBC3, or when accessing multiple devices with different access timing in a $\overline{\text{CS}}$ space.

When the RDY bit in registers EBC0 to EBC3 is set to 1 (use $\overline{\text{RDY}}$), the $\overline{\text{RDY}}$ pin is sampled on the every *mpy*th falling edge of the base clock. If the $\overline{\text{RDY}}$ pin is held low when sampled, wait states are inserted into the bus cycle. The sampling continues until the $\overline{\text{RDY}}$ pin is held high so that the bus cycle starts running again.

Since the base clock is not output to external pins, drive the $\overline{\text{RDY}}$ signal low when the $\overline{\text{RD}}$, $\overline{\text{WR}}$, and $\overline{\text{WR0}}$ to $\overline{\text{WR3}}$ signals are held in a low level, and drive the $\overline{\text{RDY}}$ signal high synchronizing the rise of the BCLK signal.

Figure 9.16 shows an example of $\overline{\text{RDY}}$ signal generator and Table 9.10 lists setting conditions of registers EBC0 to EBC3 to use this circuit. Figure 9.17 shows examples of bus cycle that is extended by the $\overline{\text{RDY}}$ signal.

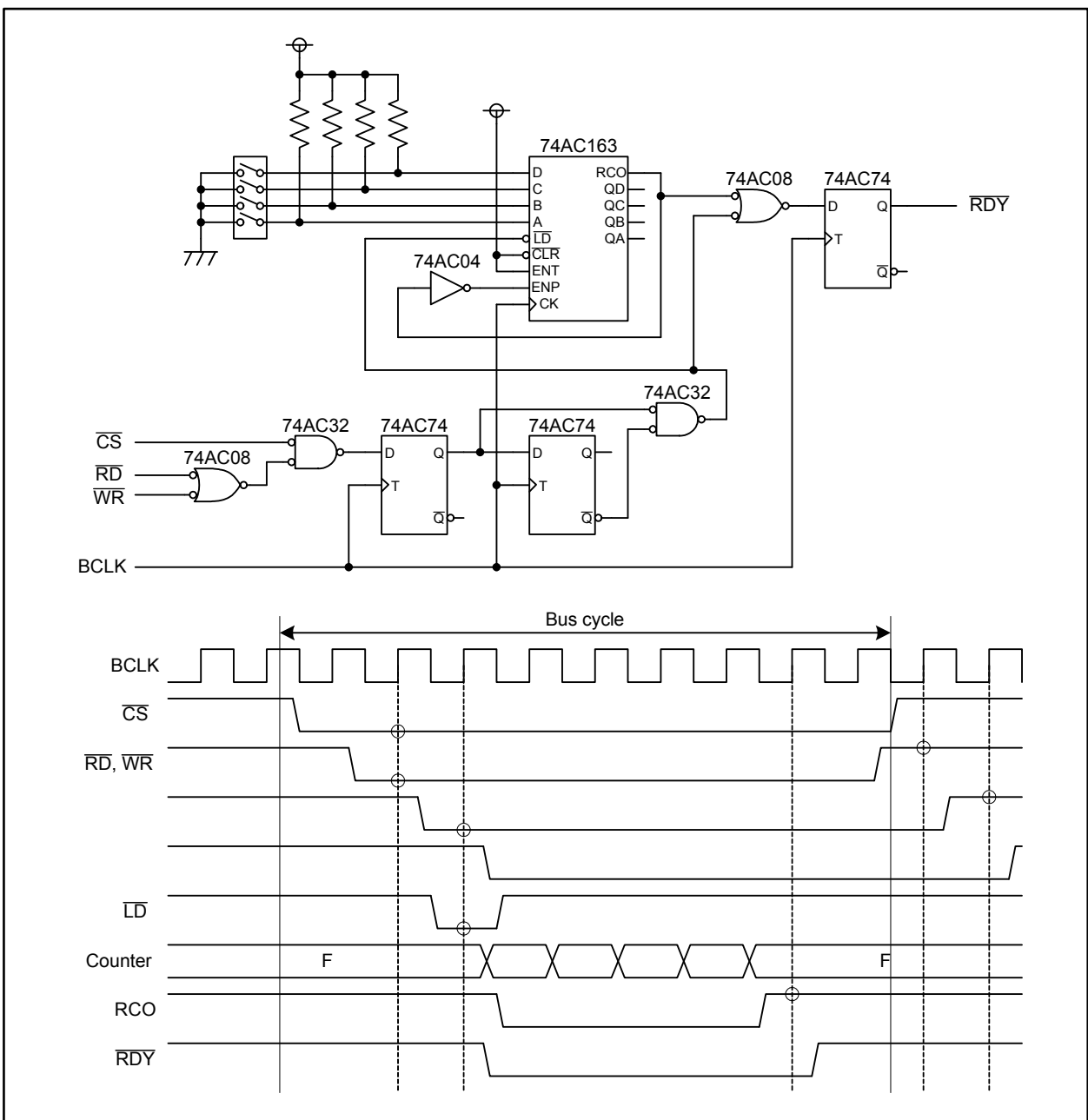


Figure 9.16 $\overline{\text{RDY}}$ Signal Generation Circuitry

Table 9.10 EBCi Register Setting Conditions when Using the Circuit in Figure 9.16 (i = 0 to 3)

Peripheral Bus Clock Frequency	Setting Condition	Setting Example
BCLK = 1/2 base clock	$mpy = 3$ In separate bus format \overline{RD} pulse width ≥ 9.5 \overline{WR} pulse width ≥ 11.5 $\overline{RD}/\overline{WR}$ high level width ≥ 2.5 In multiplexed bus format \overline{RD} pulse width ≥ 11.5 \overline{WR} pulse width ≥ 11.5	In separate bus format EBCi = XX01 1101 1011 1001b etc. In multiplexed bus format EBCi = XX11 1101 1011 1101b etc.
BCLK = 1/3 base clock	$mpy = 3$ In separate bus format \overline{RD} pulse width ≥ 12.5 \overline{WR} pulse width ≥ 11.5 $\overline{RD}/\overline{WR}$ high level width ≥ 3.5 In multiplexed bus format \overline{RD} pulse width ≥ 11.5 \overline{WR} pulse width ≥ 11.5	In separate bus format EBCi = XX01 1101 1011 1101b etc. In multiplexed bus format EBCi = XX11 1101 1011 1101b etc.
BCLK = 1/4 base clock	$mpy = 4$ In separate bus format \overline{RD} pulse width ≥ 20.5 \overline{WR} pulse width ≥ 19.5 $\overline{RD}/\overline{WR}$ high level width ≥ 4.5 In multiplexed bus format \overline{RD} pulse width ≥ 19.5 \overline{WR} pulse width ≥ 19.5	In separate bus format Not available In multiplexed bus format Not available

X: Given value

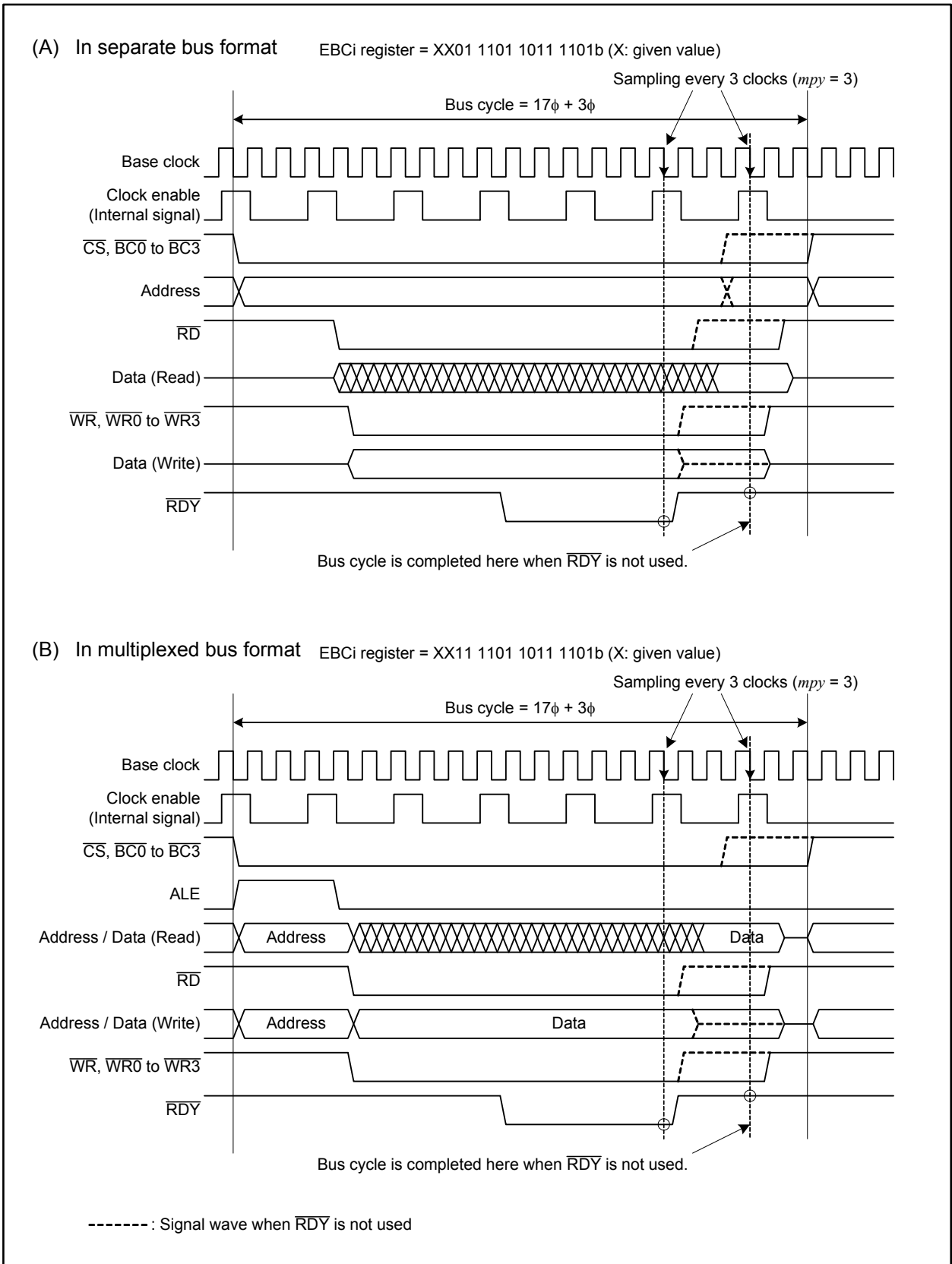


Figure 9.17 An Example of Bus Cycle Extended by \overline{RDY} Signal ($f(\text{BCLK}) = 1/2 f(\text{Base})$) ($i = 0$ to 3)

9.3.8 $\overline{\text{HOLD}}$ Signal

The $\overline{\text{HOLD}}$ signal is used when an external bus master requests the external bus from the CPU. When the external bus master drives the $\overline{\text{HOLD}}$ pin low, the CPU outputs a low signal from the $\overline{\text{HLDA}}$ pin after the ongoing bus access is completed. Then the CPU grants the external bus to the external bus master. While the $\overline{\text{HOLD}}$ pin is held low, the CPU does not start the next bus cycle.

To hand over the external bus to the CPU, the external bus master should verify the $\overline{\text{HLDA}}$ pin is held low, and then drive the $\overline{\text{HOLD}}$ pin high.

Table 9.11 lists the MCU state in a hold state.

The bus is used in the following priority order: External bus master, DMAC, and CPU.

Table 9.11 MCU State in Hold State

Item	State
Oscillation	On
Address bus, data bus, $\overline{\text{CS0}}$ to $\overline{\text{CS3}}$, $\overline{\text{BC0}}$ to $\overline{\text{BC3}}$	High-impedance
$\overline{\text{RD}}$, $\overline{\text{WR}}$, $\overline{\text{WR0}}$ to $\overline{\text{WR3}}$	High-impedance
Programmable I/O port	The state when $\overline{\text{HOLD}}$ was received is held
$\overline{\text{HLDA}}$ pin	Low is output
Internal peripheral circuit	On (excluding the watchdog timer)
ALE pin	Low is output

9.3.9 BCLK Output

The BCLK, which has the same frequency as peripheral bus clock, is a divided clock derived from the PLL clock. In memory expansion mode or microprocessor mode, BCLK is output from port P5_3 when the PM07 bit in the PM0 register is set to 0 (output BCLK) and bits CM01 and CM00 in the CM0 register are set to 00b (I/O port P5_3). In single-chip mode, BCLK cannot be output. Refer to 8. "Clock Generator" for details.

9.4 External Bus State when Accessing Internal Space

Table 9.12 lists the external bus state when accessing an internal space.

Table 9.12 External Bus State when Accessing Internal Space

Pin		Pin State when Accessing SFR	Pin State when Accessing Internal Memory
Address bus		Address is output	The address of an SFR or external space last accessed is held
Data bus	Read cycle	High-impedance	High-impedance
	Write cycle	Data is output	Undefined
$\overline{\text{CS0}}$ to $\overline{\text{CS3}}$		High is output	High is output
$\overline{\text{BC0}}$ to $\overline{\text{BC3}}$		$\overline{\text{BC0}}$ to $\overline{\text{BC3}}$ are output	The address of SFR or external space last accessed is held
$\overline{\text{RD}}$, $\overline{\text{WR}}$, $\overline{\text{WR0}}$ to $\overline{\text{WR3}}$		$\overline{\text{RD}}$, $\overline{\text{WR}}$, $\overline{\text{WR0}}$ to $\overline{\text{WR3}}$ are output	High is output
ALE		The ALE signal is output	The ALE signal is output

9.5 Notes on Bus

9.5.1 Notes on Designing a System

When a flash memory rewrite is performed in CPU rewrite mode using memory expansion mode, the use of $\overline{CS0}$ space and $\overline{CS3}$ space has the following restrictions:

- If the FEBC0 and/or FEBC3 registers are set in CPU rewrite mode, the bus format for the corresponding space functions as separate bus. Any external devices connected in multiplexed bus format become inaccessible.
- If the FEBC0 and/or FEBC3 registers are set in CPU rewrite mode, the bus timing for the corresponding space changes. This may cause external devices to become inaccessible depending on the register settings.

Devices required to be accessed in CPU rewrite mode should be allocated in $\overline{CS1}$ space and/or $\overline{CS2}$ space.

9.5.2 Notes on Register Settings

9.5.2.1 Chip Select Boundary Select Registers

When not using memory expansion mode, do not change values after a reset for registers CB01, CB12, and CB23.

When using memory expansion mode, set all of these registers to a value within the specified range whether or not each chip select space is used.

9.5.2.2 External Bus Control Registers

Registers EBC0 and EBC3 share respective addresses with registers FEBC0 and FEBC3. If the FEBC0 and/or FEBC3 registers are set while the flash memory is being rewritten, set the EBC0 and/or EBC3 registers again after rewriting the flash memory.

10. Protection

This function protects important registers from being easily overwritten when a program goes out of control. Registers used to protect other registers from being rewritten are as follows: PRCR, PRCR2, PRCR3, and PRR.

10.1 Protect Register (PRCR Register)

Figure 10.1 shows the PRCR register. Registers protected by bits in the PRCR register are listed in Table 10.1.

Table 10.1 Registers Protected by the PRCR Register

Bit	Protected Registers
PRC0	CM0, CM1, CM2, and PM3
PRC1	PM0, PM2, CSOP0, CSOP1, CSOP2, INVC0, INVC1, IOBC, and I2CMR
PRC2	PLC0, PLC1, PD9, and P9_iS (i = 0 to 7)

The PRC2 bit becomes 0 (write disabled) when a write operation is performed in any other address after this bit is set to 1 (write enabled). Set the PRC2 bit to 1 just before rewriting registers PD9, P9_iS, PLC0, and PLC1 (i = 0 to 7). No interrupt handling or DMA transfers should be inserted between these two instructions. Bits PRC1 and PRC0 do not become 0 even if a write operation is performed in any other address. These bits should be set to 0 by a program.

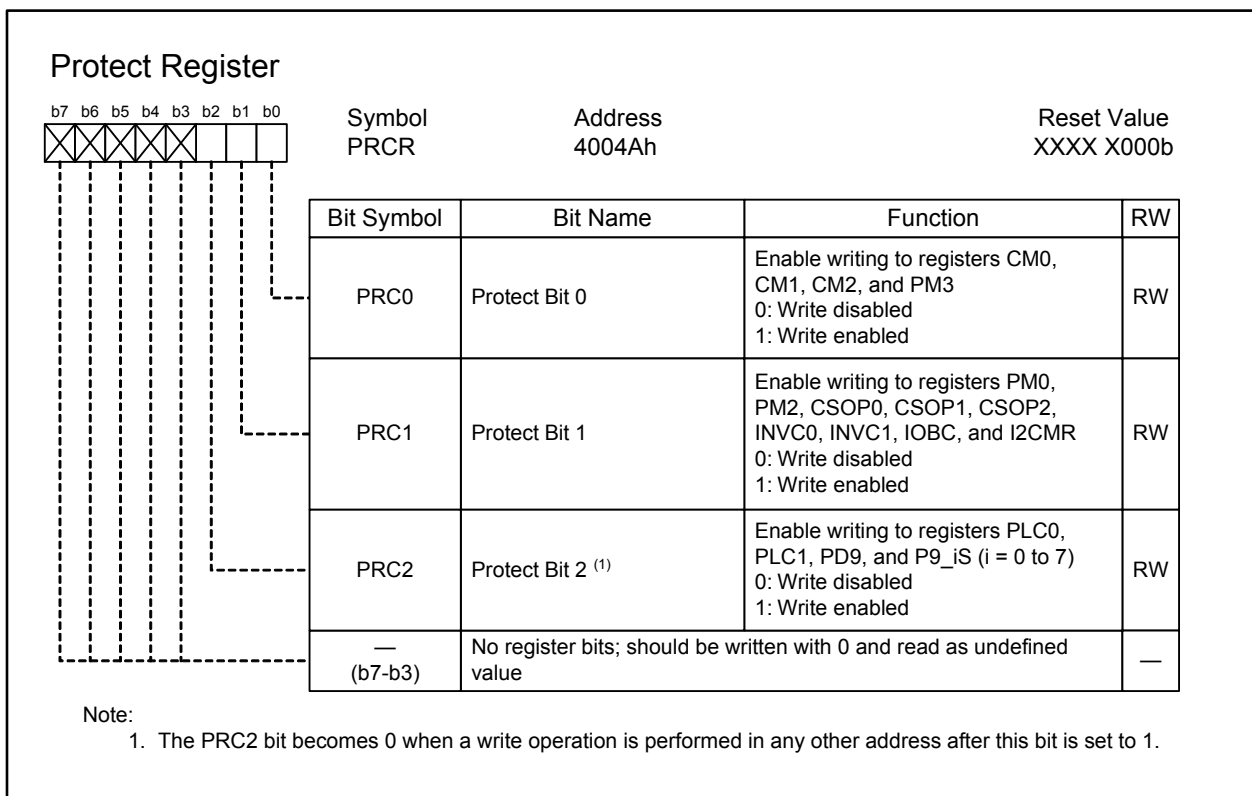


Figure 10.1 PRCR Register

10.2 Protect Register 2 (PRCR2 Register)

Figure 10.2 shows the PRCR2 register which protects the CM3 register only.

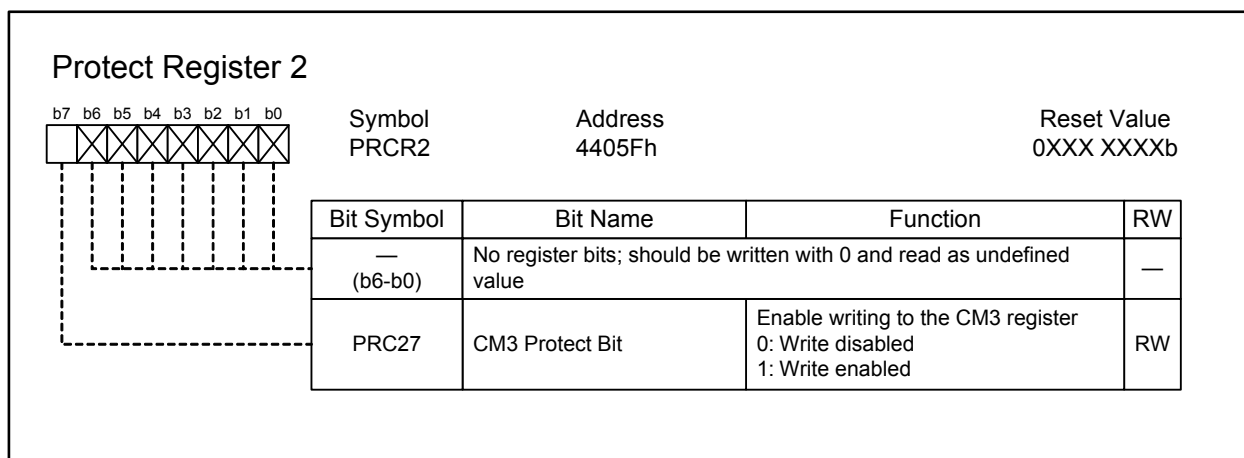


Figure 10.2 PRCR2 Register

10.3 Protect Register 3 (PRCR3 Register)

Figure 10.3 shows the PRCR3 register. Registers protected by the bits in the PRCR3 register are listed in Table 10.2.

Table 10.2 Registers Protected by the PRCR3 Register

Bit	Protected Registers
PRC31	VRCCR, LVDC, and DVCR

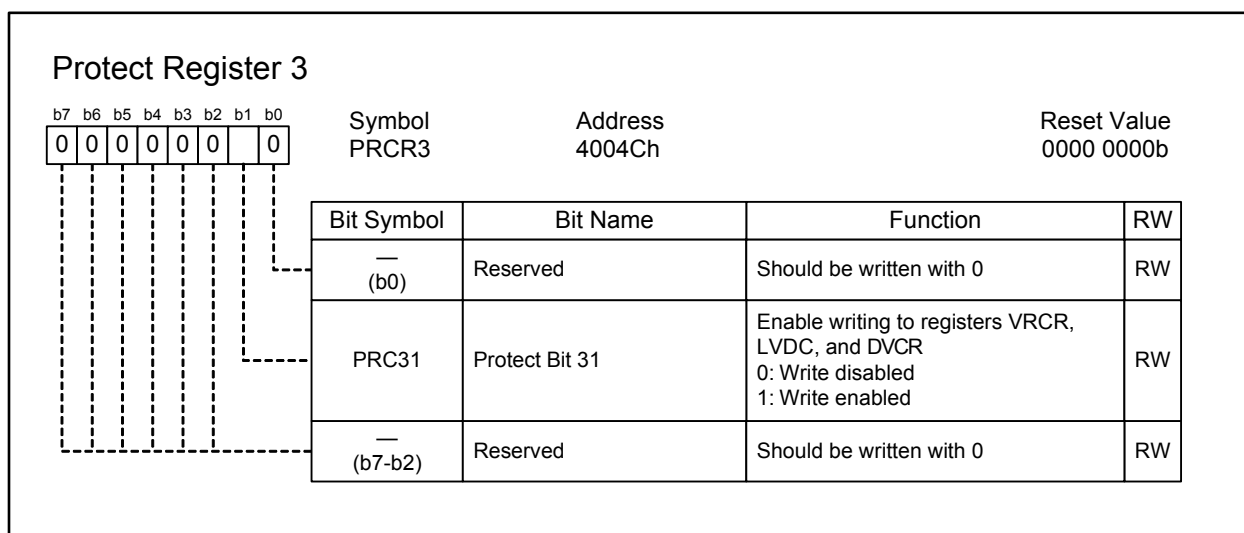


Figure 10.3 PRCR3 Register

10.4 Protect Release Register (PRR Register)

Figure 10.4 shows the PRR register. Registers protected by the PRR register are as follows: CCR, FMCR, PBC, FEBC0, FEBC3, EBC0 to EBC3, CB01, CB12, and CB23.

To write to the registers above, the PRR register should be set to AAh (write enabled). Otherwise, the PRR register should be set to any value other than AAh to protect the above registers from unexpected write accesses.

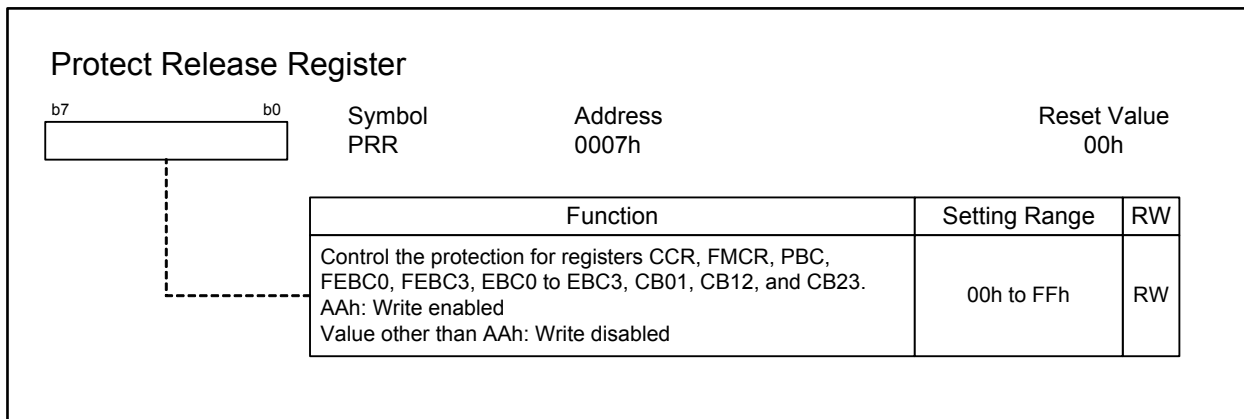


Figure 10.4 PRR Register

11. Interrupts

11.1 Interrupt Types

Figure 11.1 shows the types of interrupts.

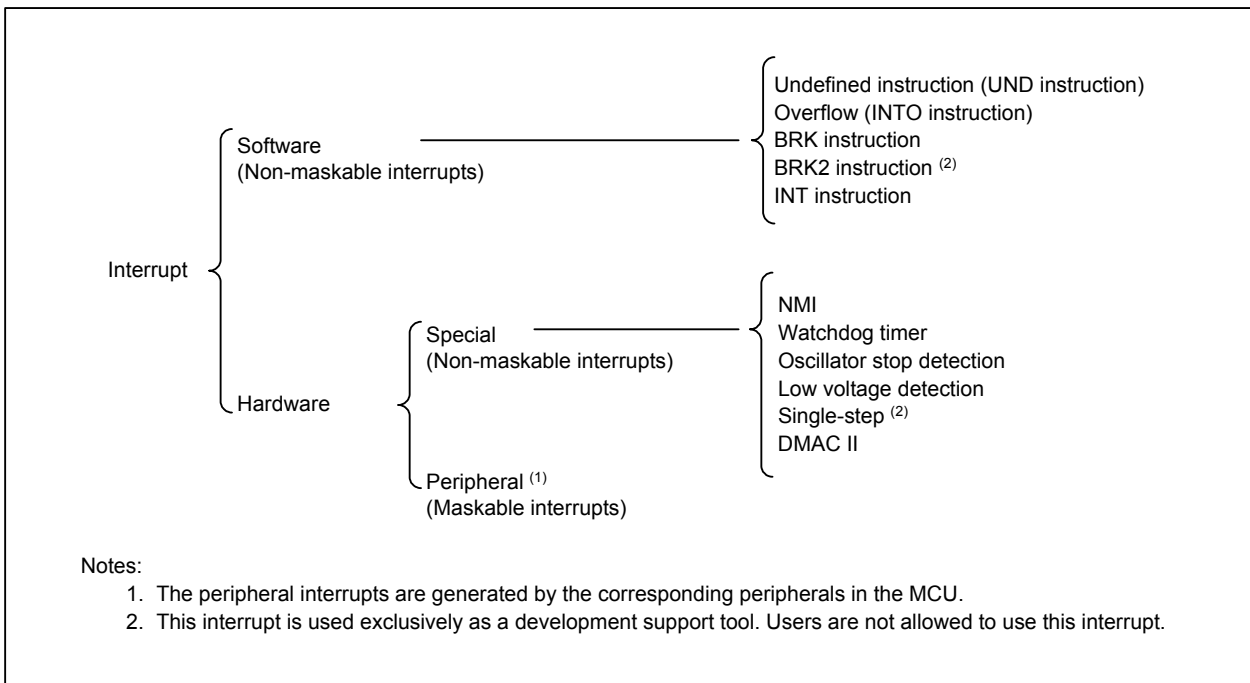


Figure 11.1 Interrupts

Interrupts are also classified into maskable/non-maskable.

(1) Maskable Interrupts

Maskable interrupts can be disabled by the interrupt enable flag (I flag).
The priority can be configured by assigning an interrupt request level.

(2) Non-maskable Interrupts

Maskable interrupts cannot be disabled by the interrupt enable flag (I flag).
The interrupt priority cannot be configured.

11.2 Software Interrupts

Software interrupts are non-maskable. A software interrupt occurs by executing an instruction. There are five types of software interrupts shown below.

(1) Undefined Instruction Interrupt

This interrupt occurs when the UND instruction is executed.

(2) Overflow Interrupt

This interrupt occurs when the INTO instruction is executed while the O flag is 1. The following instructions may change the O flag to 1, depending on the operation result:

ABS, ADC, ADCF, ADD, ADDF, ADSF, CMP, CMPF, CNVIF, DIV, DIVF, DIVU, DIVX, EDIV, EDIVU, EDIVX, MUL, MULF, MULU, MULX, NEG, RMPA, ROUND, SBB, SCMPU, SHA, SUB, SUBF, SUNTIL, and SWHILE

(3) BRK Instruction Interrupt

This interrupt occurs when the BRK instruction is executed.

(4) BRK2 Instruction Interrupt

This interrupt occurs when the BRK2 instruction is executed.

This interrupt is only meant for use as a development support tool and users are not allowed to use it.

(5) INT Instruction Interrupt

This interrupt occurs when the INT instruction is executed with a selected software interrupt number from 0 to 255. Software interrupt numbers 0 to 127 are designated for peripheral interrupts. That is, the INT instruction with a software interrupt number from 0 to 127 has the same interrupt handler as that for peripheral interrupts.

The stack pointer (SP) used for this interrupt differs depending on the software interrupt numbers. For software interrupt numbers 0 to 127, when an interrupt request is accepted, the U flag is saved and set to 0 to select the interrupt stack pointer (ISP) during the interrupt sequence. The saved data of the U flag is restored upon returning from the interrupt handler. For software interrupt numbers 128 to 255, the stack pointer does not change during the interrupt sequence.

11.3 Hardware Interrupts

There are two kinds of hardware interrupts: special interrupts and peripheral interrupts. In peripheral interrupts, only one interrupt with the highest priority can be specified as a fast interrupt.

11.3.1 Special Interrupts

Special interrupts are non-maskable. There are five special interrupts shown below.

(1) NMI (Non Maskable Interrupt)

This interrupt occurs when an input signal at the $\overline{\text{NMI}}$ pin switches from high to low. Refer to 11.11 “NMI” for details.

(2) Watchdog Timer Interrupt

The watchdog timer generates this interrupt. Refer to 12. “Watchdog Timer” for details.

(3) Oscillator Stop Detection Interrupt

This interrupt occurs when the MCU detects a main clock oscillator stop. Refer to 8.2 “Oscillator Stop Detection” for details.

(4) Low Voltage Detection Interrupt

This interrupt occurs when a low voltage input to VCC is detected by the voltage detector. Refer to 6.2 “Low Voltage Detector” for details.

(5) Single-step Interrupt

This interrupt is only meant for use as a development support tool and users are not allowed to use it.

11.3.2 Peripheral Interrupts

Peripheral interrupts occur when an interrupt request from a peripheral in the MCU is accepted. They share the interrupt vector with software interrupt numbers 0 to 127 for the INT instruction. Peripheral interrupts are maskable.

Refer to Tables 11.2 to 11.5 for details on the interrupt sources. Refer to the relevant descriptions for details on each function.

11.4 Fast Interrupt

A fast interrupt enables the CPU to accelerate interrupt response. In peripheral interrupts, only one interrupt with the highest priority can be specified as the fast interrupt.

Use the following procedure to enable a fast interrupt:

- (1) Set the both FSIT bit in registers RIPL1 and RIPL2 to 1 (interrupt request level 7 available for fast interrupt).
- (2) Set the both DMAII bit in registers RIPL1 and RIPL2 to 0 (interrupt request level 7 available for interrupts).
- (3) Set the start address of the fast interrupt handler to the VCT register.

Under the conditions above, bits ILVL2 to ILVL0 in the interrupt control register should be set to 111b (level 7) to enable the fast interrupt. No other interrupts should be set to interrupt request level 7.

When the fast interrupt is accepted, the flag register (FLG) and program counter (PC) are saved to the save flag register (SVF) and save PC register (SVP), respectively. The program is executed from the address indicated by the VCT register.

To return from the fast interrupt handler, the FREIT instruction should be executed. The values saved into registers SVF and SVP are restored to the FLG register and PC, respectively.

11.5 Interrupt Vectors

Each interrupt vector has a 4-byte memory space, in which the start address of the associated interrupt handler is stored. When an interrupt request is accepted, a jump to the address set in the interrupt vector takes place. Figure 11.2 shows an interrupt vector.

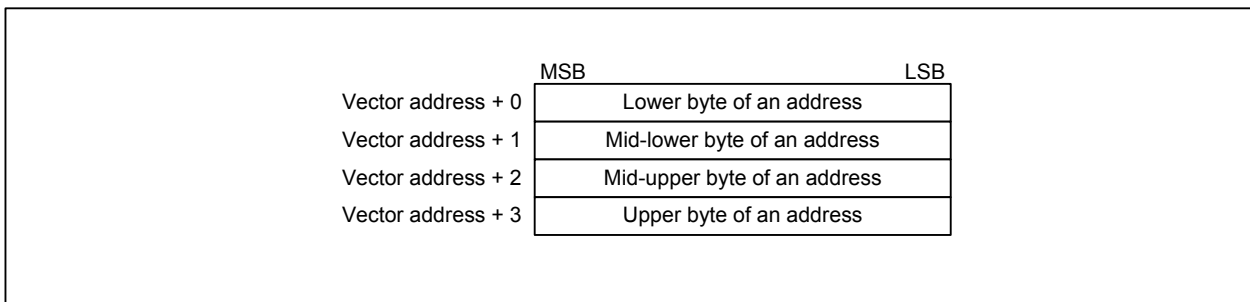


Figure 11.2 Interrupt Vector

11.5.1 Fixed Vector Table

The fixed vector table is allocated in addresses FFFFFFFDCh to FFFFFFFFh. Table 11.1 lists the fixed vector table.

Table 11.1 Fixed Vector Table

Interrupt Source	Vector Addresses (Address (L) to Address (H))	Remarks	Reference
Undefined instruction	FFFFFFDCh to FFFFFFFDFh	Interrupt by the UND instruction	R32C/100 Series Software Manual
Overflow	FFFFFFE0h to FFFFFFFE3h	Interrupt by the INTO instruction	
BRK instruction	FFFFFFE4h to FFFFFFFE7h	If address FFFFFFFE7h is FFh, a jump to the interrupt vector of software interrupt number 0 in the relocatable vector table takes place	
—	FFFFFFE8h to FFFFFFFEBh	Reserved	
—	FFFFFFECh to FFFFFFFEFh	Reserved	
Watchdog timer Oscillator stop detection Low voltage detection	FFFFFFF0h to FFFFFFF3h	These addresses are shared by the watchdog timer interrupt, oscillator stop detection interrupt, and low voltage detection interrupt	12. "Watchdog Timer" 8. "Clock Generator" 6.2 "Low Voltage Detector"
—	FFFFFFF4h to FFFFFFF7h	Reserved	
NMI	FFFFFFF8h to FFFFFFFBh	External interrupt by the $\overline{\text{NMI}}$ pin	
Reset	FFFFFFFCh to FFFFFFFFh		5. "Resets"

11.5.2 Relocatable Vector Table

The relocatable vector table occupies a 1024-byte memory space from the start address set in the INTB register. Tables 11.2 to 11.5 list the relocatable vector table entries.

An address in a multiple of 4 should be set in the INTB register for a faster interrupt sequence.

Table 11.2 Relocatable Vector Table (1/4)

Interrupt Source	Vector Table Relative Addresses (Address (L) to Address (H)) ⁽¹⁾	Software Interrupt Number	Reference
BRK instruction ⁽²⁾	+0 to +3 (0000h to 0003h)	0	R32C/100 Series Software Manual
Reserved	+4 to +7 (0004h to 0007h)	1	
UART5 transmission, NACK ⁽³⁾	+8 to +11 (0008h to 000Bh)	2	18. "Serial Interface"
UART5 reception, ACK ⁽³⁾	+12 to +15 (000Ch to 000Fh)	3	
UART6 transmission, NACK ⁽³⁾	+16 to +19 (0010h to 0013h)	4	
UART6 reception, ACK ⁽³⁾	+20 to +23 (0014h to 0017h)	5	
Bus collision detection, START condition detection, or STOP condition detection (UART5 or UART6) ^(3, 4)	+24 to +27 (0018h to 001Bh)	6	
Reserved	+28 to +31 (001Ch to 001Fh)	7	
DMA0 transfer complete	+32 to +35 (0020h to 0023h)	8	13. "DMAC"
DMA1 transfer complete	+36 to +39 (0024h to 0027h)	9	
DMA2 transfer complete	+40 to +43 (0028h to 002Bh)	10	
DMA3 transfer complete	+44 to +47 (002Ch to 002Fh)	11	
Timer A0	+48 to +51 (0030h to 0033h)	12	
Timer A1	+52 to +55 (0034h to 0037h)	13	
Timer A2	+56 to +59 (0038h to 003Bh)	14	
Timer A3	+60 to +63 (003Ch to 003Fh)	15	
Timer A4	+64 to +67 (0040h to 0043h)	16	
UART0 transmission, NACK ⁽³⁾	+68 to +71 (0044h to 0047h)	17	18. "Serial Interface"
UART0 reception, ACK ⁽³⁾	+72 to +75 (0048h to 004Bh)	18	
UART1 transmission, NACK ⁽³⁾	+76 to +79 (004Ch to 004Fh)	19	
UART1 reception, ACK ⁽³⁾	+80 to +83 (0050h to 0053h)	20	
Timer B0	+84 to +87 (0054h to 0057h)	21	16.2 "Timer B"
Timer B1	+88 to +91 (0058h to 005Bh)	22	
Timer B2	+92 to +95 (005Ch to 005Fh)	23	
Timer B3	+96 to +99 (0060h to 0063h)	24	
Timer B4	+100 to +103 (0064h to 0067h)	25	
INT5	+104 to +107 (0068h to 006Bh)	26	11.10 "External Interrupt"
INT4	+108 to +111 (006Ch to 006Fh)	27	
INT3	+112 to +115 (0070h to 0073h)	28	
INT2	+116 to +119 (0074h to 0077h)	29	
INT1	+120 to +123 (0078h to 007Bh)	30	
INT0	+124 to +127 (007Ch to 007Fh)	31	
Timer B5	+128 to +131 (0080h to 0083h)	32	16.2 "Timer B"

Notes:

- Each entry is relative to the base address in the INTB register.
- Interrupts from this source cannot be disabled by the I flag.
- In I²C mode, interrupts are generated by NACK, ACK, or detection of a START condition/STOP condition.
- The IFSR16 bit in the IFSR1 register selects either the interrupt source in UART5 or UART6.

Table 11.3 Relocatable Vector Table (2/4)

Interrupt Source	Vector Table Relative Addresses (Address (L) to Address (H)) (1)	Software Interrupt Number	Reference
UART2 transmission, NACK (2)/I ² C-bus interface (3)	+132 to +135 (0084h to 0087h)	33	18. "Serial Interface"/24. "Multi-master I ² C-bus Interface"
UART2 reception, ACK (2)/I ² C-bus line (3)	+136 to +139 (0088h to 008Bh)	34	
UART3 transmission, NACK (2)	+140 to +143 (008Ch to 008Fh)	35	
UART3 reception, ACK (2)	+144 to +147 (0090h to 0093h)	36	
UART4 transmission, NACK (2)	+148 to +151 (0094h to 0097h)	37	
UART4 reception, ACK (2)	+152 to +155 (0098h to 009Bh)	38	
Bus collision detection, START condition detection, or STOP condition detection (UART2) (2)	+156 to +159 (009Ch to 009Fh)	39	
Bus collision detection, START condition detection, or STOP condition detection (UART3 or UART0) (2, 4)	+160 to +163 (00A0h to 00A3h)	40	
Bus collision detection, START condition detection, or STOP condition detection (UART4 or UART1) (2, 4)	+164 to +167 (00A4h to 00A7h)	41	
A/D0	+168 to +171 (00A8h to 00ABh)	42	19. "A/D Converter"
Key input	+172 to +175 (00ACh to 00AFh)	43	11.12 "Key Input Interrupt"
Intelligent I/O interrupt 0	+176 to +179 (00B0h to 00B3h)	44	11.13 "Intelligent I/O Interrupt", 23. "Intelligent I/O"
Intelligent I/O interrupt 1	+180 to +183 (00B4h to 00B7h)	45	
Intelligent I/O interrupt 2	+184 to +187 (00B8h to 00BBh)	46	
Intelligent I/O interrupt 3	+188 to +191 (00BCh to 00BFh)	47	
Intelligent I/O interrupt 4	+192 to +195 (00C0h to 00C3h)	48	
Intelligent I/O interrupt 5	+196 to +199 (00C4h to 00C7h)	49	
Intelligent I/O interrupt 6	+200 to +203 (00C8h to 00CBh)	50	
Intelligent I/O interrupt 7	+204 to +207 (00CCh to 00CFh)	51	
Intelligent I/O interrupt 8	+208 to +211 (00D0h to 00D3h)	52	
Intelligent I/O interrupt 9	+212 to +215 (00D4h to 00D7h)	53	
Intelligent I/O interrupt 10	+216 to +219 (00D8h to 00DBh)	54	
Intelligent I/O interrupt 11	+220 to +223 (00DCh to 00DFh)	55	
Reserved	+224 to +227 (00E0h to 00E3h)	56	
Reserved	+228 to +231 (00E4h to 00E7h)	57	
Reserved	+232 to +235 (00E8h to 00EBh)	58	
Reserved	+236 to +239 (00ECh to 00EFh)	59	
Reserved	+240 to +243 (00F0h to 00F3h)	60	
Reserved	+244 to +247 (00F4h to 00F7h)	61	
Reserved	+248 to +251 (00F8h to 00FBh)	62	
Reserved	+252 to +255 (00FCh to 00FFh)	63	

Notes:

- Each entry is relative to the base address in the INTB register.
- In I²C mode, interrupts are generated by NACK, ACK, or detection of a START condition/STOP condition.
- Select an interrupt source either of UART2 or I²C-bus interface by setting the I2CEN bit in the I2CMR register.
- The IFSR06 bit in the IFSR0 register selects either the interrupt source in UART0 or UART3. The IFSR07 bit selects either the interrupt source in UART1 or that in UART4.

Table 11.4 Relocatable Vector Table (3/4) (1)

Interrupt Source	Vector Table Relative Addresses (Address (L) to Address (H)) (2)	Software Interrupt Number	Reference
Reserved	+256 to +259 (0100h to 0103h)	64	
Reserved	+260 to +263 (0104h to 0107h)	65	
Reserved	+264 to +267 (0108h to 010Bh)	66	
Reserved	+268 to +271 (010Ch to 010Fh)	67	
Reserved	+272 to +275 (0110h to 0113h)	68	
Reserved	+276 to +279 (0114h to 0117h)	69	
Reserved	+280 to +283 (0118h to 011Bh)	70	
Reserved	+284 to +287 (011Ch to 011Fh)	71	
Reserved	+288 to +291 (0120h to 0123h)	72	
Reserved	+292 to +295 (0124h to 0127h)	73	
Reserved	+296 to +299 (0128h to 012Bh)	74	
Reserved	+300 to +303 (012Ch to 012Fh)	75	
Reserved	+304 to +307 (0130h to 0133h)	76	
Reserved	+308 to +311 (0134h to 0137h)	77	
Reserved	+312 to +315 (0138h to 013Bh)	78	
Reserved	+316 to +319 (013Ch to 013Fh)	79	
Reserved	+320 to +323 (0140h to 0143h)	80	
Reserved	+324 to +327 (0144h to 0147h)	81	
Reserved	+328 to +331 (0148h to 014Bh)	82	
Reserved	+332 to +335 (014Ch to 014Fh)	83	
Reserved	+336 to +339 (0150h to 0153h)	84	
Reserved	+340 to +343 (0154h to 0157h)	85	
Reserved	+344 to +347 (0158h to 015Bh)	86	
Reserved	+348 to +351 (015Ch to 015Fh)	87	
Reserved	+352 to +355 (0160h to 0163h)	88	
Reserved	+356 to +359 (0164h to 0167h)	89	
Reserved	+360 to +363 (0168h to 016Bh)	90	
Reserved	+364 to +367 (016Ch to 016Fh)	91	
Reserved	+368 to +371 (0170h to 0173h)	92	
INT8	+372 to +375 (0174h to 0177h)	93	11.10 "External Interrupt"
INT7	+376 to +379 (0178h to 017Bh)	94	
INT6	+380 to +383 (017Ch to 017Fh)	95	

Notes:

1. Entries in this table cannot be used to exit wait mode or stop mode.
2. Each entry is relative to the base address in the INTB register.

Table 11.5 Relocatable Vector Table (4/4) (1)

Interrupt Source	Vector Table Relative Addresses (Address (L) to Address (H)) (2)	Software Interrupt Number	Reference
Reserved	+384 to +387 (0180h to 0183h)	96	
Reserved	+388 to +391 (0184h to 0187h)	97	
Reserved	+392 to +395 (0188h to 018Bh)	98	
Reserved	+396 to +399 (018Ch to 018Fh)	99	
Reserved	+400 to +403 (0190h to 0193h)	100	
Reserved	+404 to +407 (0194h to 0197h)	101	
Reserved	+408 to +411 (0198h to 019Bh)	102	
Reserved	+412 to +415 (019Ch to 019Fh)	103	
Reserved	+416 to +419 (01A0h to 01A3h)	104	
Reserved	+420 to +423 (01A4h to 01A7h)	105	
Reserved	+424 to +427 (01A8h to 01ABh)	106	
Reserved	+428 to +431 (01ACh to 01AFh)	107	
Reserved	+432 to +435 (01B0h to 01B3h)	108	
Reserved	+436 to +439 (01B4h to 01B7h)	109	
Reserved	+440 to +443 (01B8h to 01BBh)	110	
Reserved	+444 to +447 (01BCh to 01BFh)	111	
Reserved	+448 to +451 (01C0h to 01C3h)	112	
Reserved	+452 to +455 (01C4h to 01C7h)	113	
Reserved	+456 to +459 (01C8h to 01CBh)	114	
Reserved	+460 to +463 (01CCh to 01CFh)	115	
Reserved	+464 to +467 (01D0h to 01D3h)	116	
Reserved	+468 to +471 (01D4h to 01D7h)	117	
Reserved	+472 to +475 (01D8h to 01DBh)	118	
Reserved	+476 to +479 (01DCh to 01DFh)	119	
Reserved	+480 to +483 (01E0h to 01E3h)	120	18. "Serial Interface"
Reserved	+484 to +487 (01E4h to 01E7h)	121	
Reserved	+488 to +491 (01E8h to 01EBh)	122	
Reserved	+492 to +495 (01ECh to 01EFh)	123	
UART7 transmission	+496 to +499 (01F0h to 01F3h)	124	
UART7 reception	+500 to +503 (01F4h to 01F7h)	125	
UART8 transmission	+504 to +507 (01F8h to 01FBh)	126	
UART8 reception	+508 to +511 (01FCh to 01FFh)	127	
INT instruction (3)	+0 to +3 (0000h to 0003h) to +1020 to +1023 (03FCh to 03FFh)	0 to 255	11.2 "Software Interrupts"

Notes:

1. Entries in this table cannot be used to exit wait mode or stop mode.
2. Each entry is relative to the base address in the INTB register.
3. Interrupts from this source cannot be disabled by the I flag.

11.6 Interrupt Request Acceptance

Software interrupts and special interrupts are accepted whenever their interrupt request is generated. Peripheral interrupts, however, are only accepted if the conditions below are met:

- I flag is 1
- IR bit is 1
- Bits ILVL2 to ILVL0 > IPL

The I flag, IPL, IR bit, and bits ILVL2 to ILVL0 do not affect each other. The I flag and IPL are in the FLG register. The IR bit and bits ILVL2 to ILVL0 are in the interrupt control register.

The following section describes these flag and bits.

11.6.1 I Flag and IPL

The I flag (interrupt enable flag) enables or disables maskable interrupts. When the I flag is set to 1 (enabled), all maskable interrupts are enabled; when it is set to 0 (disabled), they are disabled. The I flag becomes 0 after a reset.

The IPL (processor interrupt priority level) consists of 3 bits and indicates eight interrupt priority levels from 0 to 7. An interrupt becomes acceptable when its interrupt request level is higher than the specified IPL (bits ILVL2 to ILVL0 > IPL).

Table 11.6 lists interrupt request levels classified by the IPL.

Table 11.6 Acceptable Interrupt Request Levels and IPL

IPL			Acceptable Interrupt Request Levels
IPL2	IPL1	IPL0	
1	1	1	All maskable interrupts are disabled
1	1	0	Level 7 only
1	0	1	Level 6 and above
1	0	0	Level 5 and above
0	1	1	Level 4 and above
0	1	0	Level 3 and above
0	0	1	Level 2 and above
0	0	0	Level 1 and above

11.6.2 Interrupt Control Registers

Each peripheral interrupt is controlled by an interrupt control register.

11.4 show the interrupt control registers.

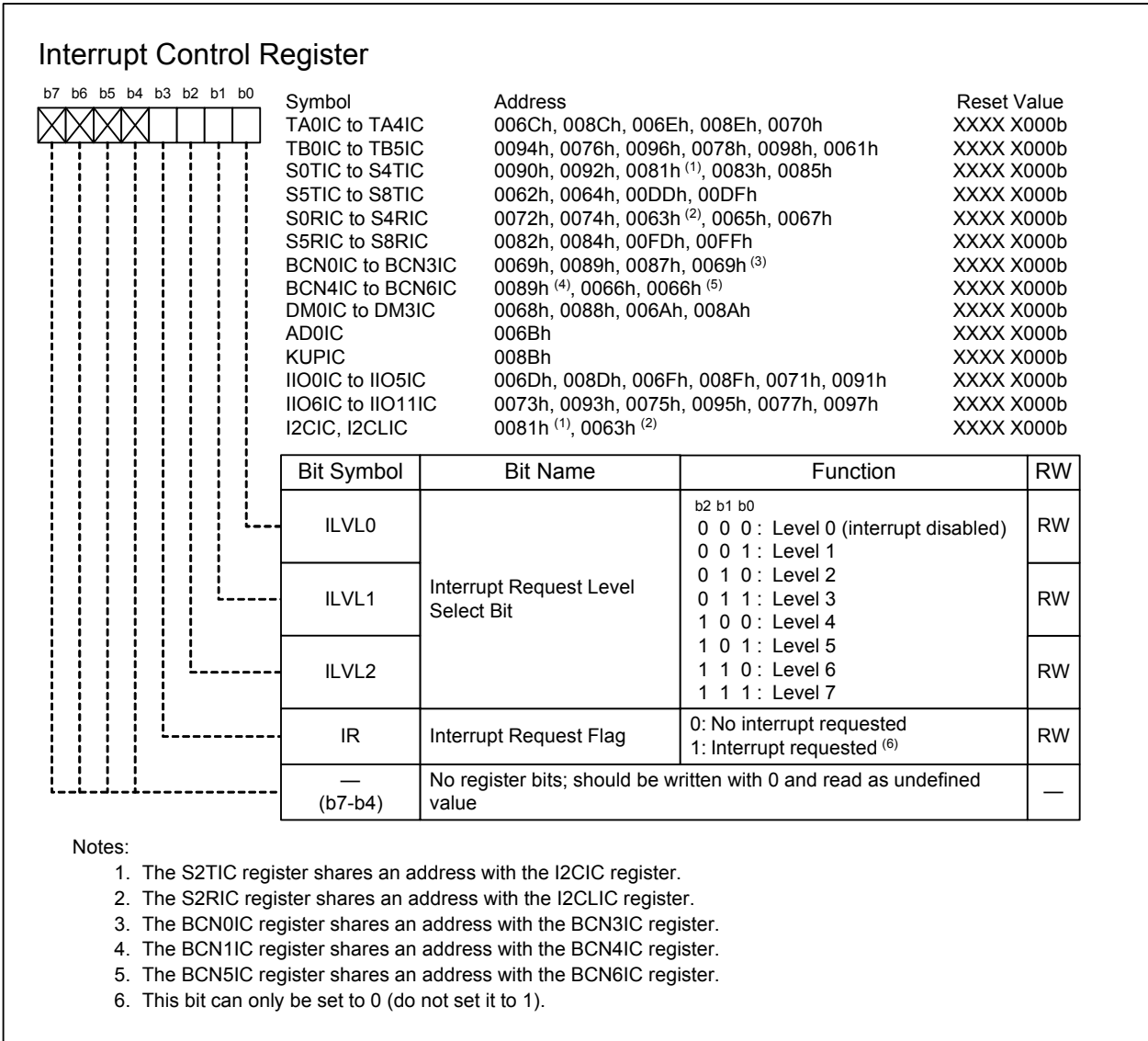


Figure 11.3 Interrupt Control Register (1/2)

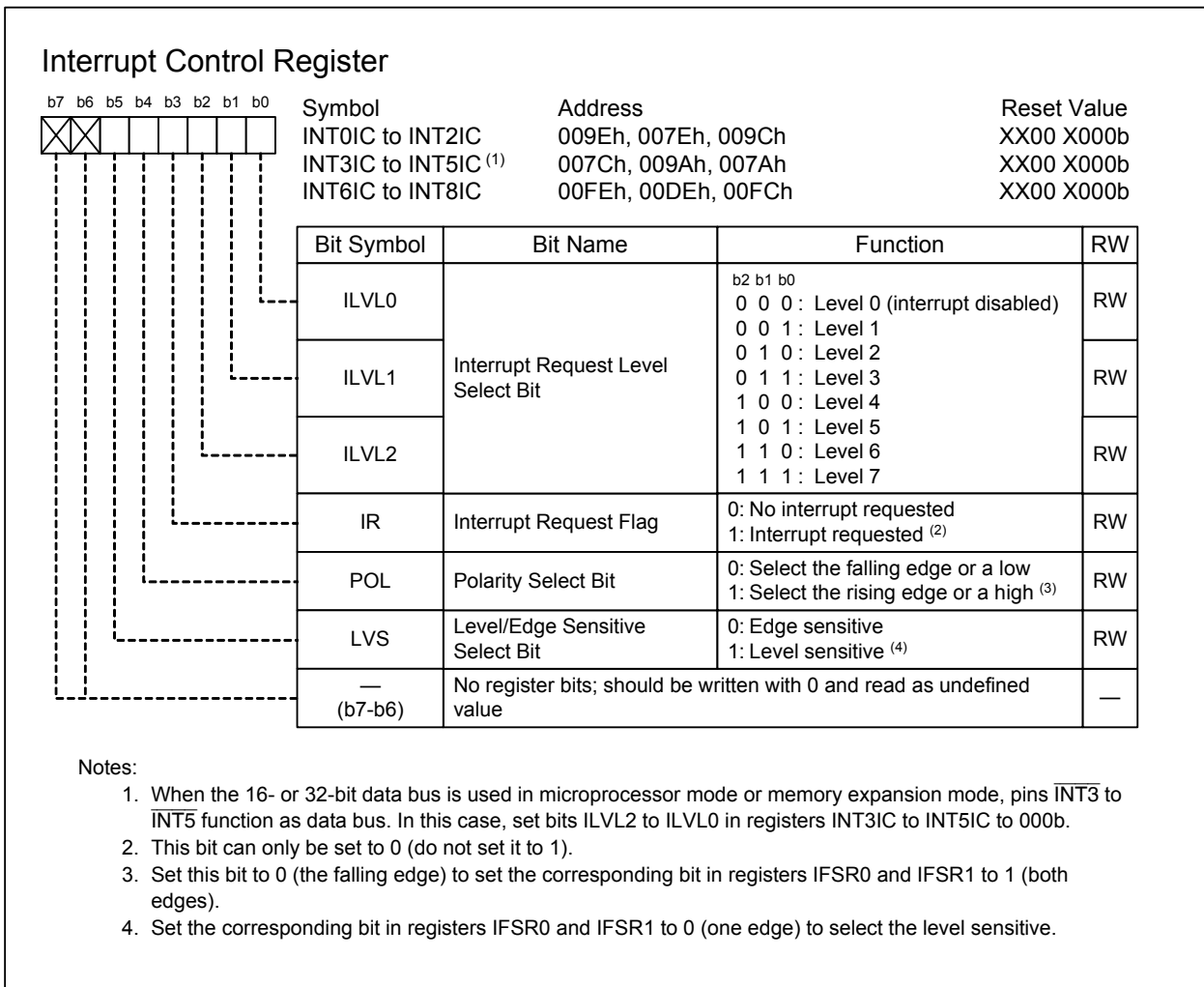


Figure 11.4 Interrupt Control Register (2/2)

Bits ILVL2 to ILVL0

The interrupt request level is selected by setting bits ILVL2 to ILVL0. The higher the level is, the higher interrupt priority is.

When an interrupt request is generated, its request level is compared to the IPL. The interrupt is accepted only when the interrupt request level is higher than the IPL. When bits ILVL2 to ILVL0 are set to 000b, the interrupt is disabled.

IR bit

The IR bit becomes 1 (interrupt requested) when an interrupt request is generated; this bit setting is retained until the interrupt request is accepted. When the request is accepted and a jump to the corresponding interrupt vector takes place, the IR bit becomes 0 (no interrupt requested).

The IR bit can be set to 0 by a program. This bit should not be set to 1.

When rewriting the interrupt control register, no corresponding interrupt request should be generated. If there is a possibility that an interrupt request may be generated, disable the interrupt request before rewriting the register.

When enabling an interrupt immediately after changing the interrupt control register, insert NOPs between two instructions or perform a dummy read of the interrupt control register so that the interrupt enable flag (I flag) cannot become 1 (interrupt enabled) before writing to the interrupt control register is completed.

If an interrupt request is generated for the register being rewritten, the IR bit may not become 1 depending on the instruction being used. If it matters, use one of the following instructions to rewrite the register:

- AND
- OR
- BCLR
- BSET

If the AND or BCLR instruction is used to set the IR bit to 0, the IR bit may not become 0 as these instructions cause the interrupt request to be retained during the rewrite. To prevent this from happening, rewrite the register using the MOV instruction. To set just the IR bit to 0, first temporarily store the read value to memory or a CPU internal register, then execute either the AND or BCLR instruction in the stored area. After that, write the value back to the register using the MOV instruction.

11.6.3 Wake-up IPL Setting Register

Set the wake-up IPL setting registers (registers RIPL1 and RIPL2) when using an interrupt to exit wait or stop mode, or using the fast interrupt.

Refer to 8.7.2 “Wait Mode”, 8.7.3 “Stop Mode”, or 11.4 “Fast Interrupt” for details.

Figure 11.5 shows registers RIPL1 and RIPL2.

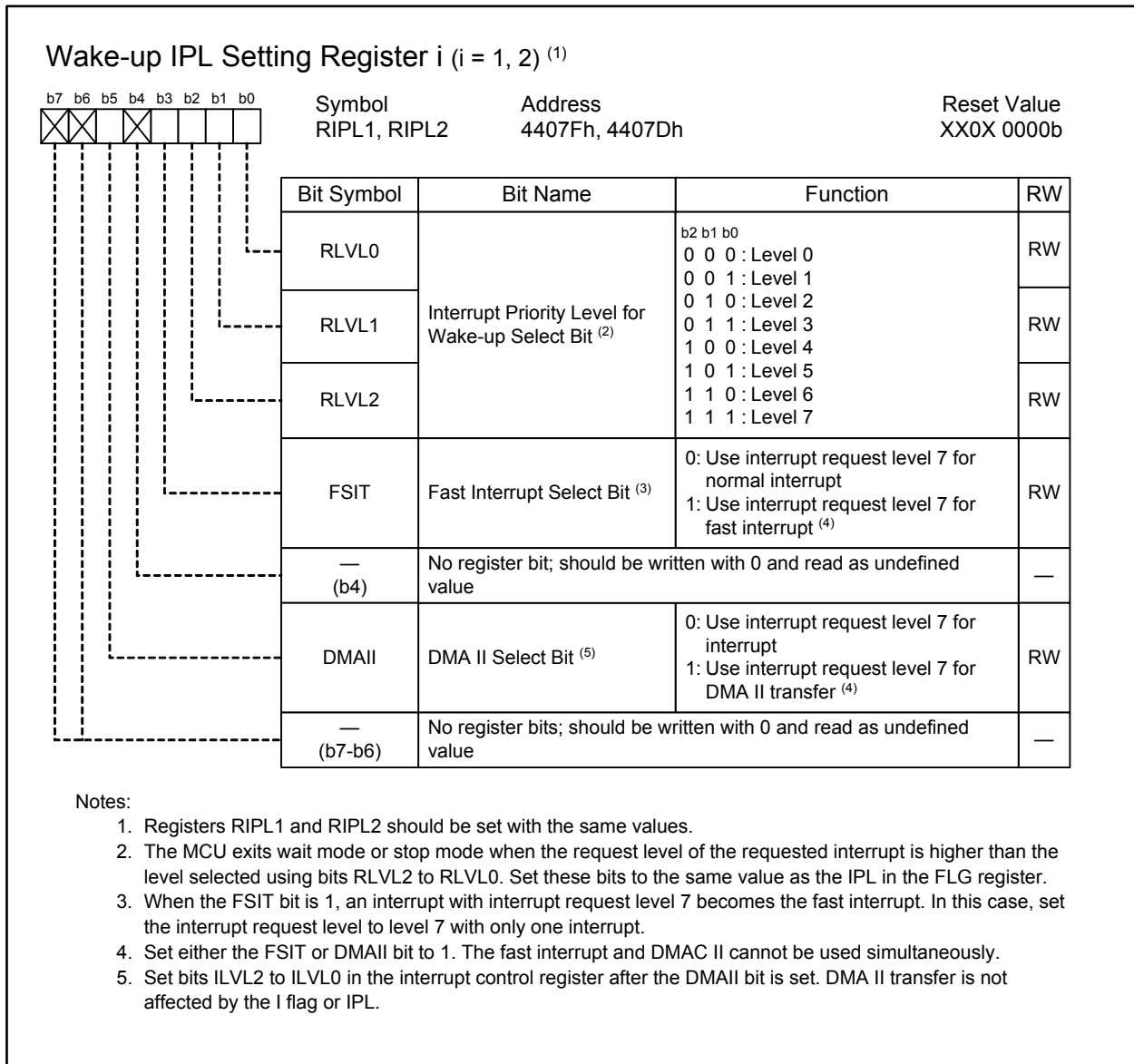


Figure 11.5 Registers RIPL1 and RIPL2

11.6.4 Interrupt Sequence

An interrupt sequence is performed from when an interrupt request has been accepted until the interrupt handler starts.

When an interrupt request is generated while an instruction is being executed, the requested interrupt is evaluated in the priority resolver after the current instruction is completed, and the interrupt sequence starts from the next cycle.

However, for instructions RMPA, SCMPU, SIN, SMOVB, SMOVF, SMOVU, SOUT, SSTR, SUNTIL, and SWHILE, when an interrupt request is generated while an instruction is being executed, the current instruction is suspended, and the interrupt sequence starts.

The interrupt sequence is as follows:

- (1) The CPU acknowledges the interrupt request to obtain the interrupt information (the interrupt number, and the interrupt request level) from the interrupt controller. Then the corresponding IR bit becomes 0 (no interrupt requested).
- (2) The FLG register value before the interrupt sequence is stored to a temporary register in the CPU. The temporary register is inaccessible to users.
- (3) The following bits in the FLG register become 0:
 - The I flag (interrupt enable flag): interrupt disabled
 - The D flag (debug flag): single-step interrupt disabled
 - The U flag (stack pointer select flag): ISP selected
- (4) The temporary register value in the CPU is saved to the stack, or to the SVF register in case of the fast interrupt.
- (5) The PC value is saved to the stack, or to the SVP register in case of the fast interrupt.
- (6) The interrupt request level for the accepted interrupt is set in the IPL (processor interrupt priority level).
- (7) The corresponding interrupt vector is read from the interrupt vector table.
- (8) This interrupt vector is stored into the PC.

After the interrupt sequence is completed, an instruction is executed from the start address of the interrupt handler.

11.6.5 Interrupt Response Time

The interrupt response time, as shown in Figure 11.6, consists of two non-overlapping time segments: (a) the period from when an interrupt request is generated until the instruction being executed is completed; and (b) the period required for the interrupt sequence.

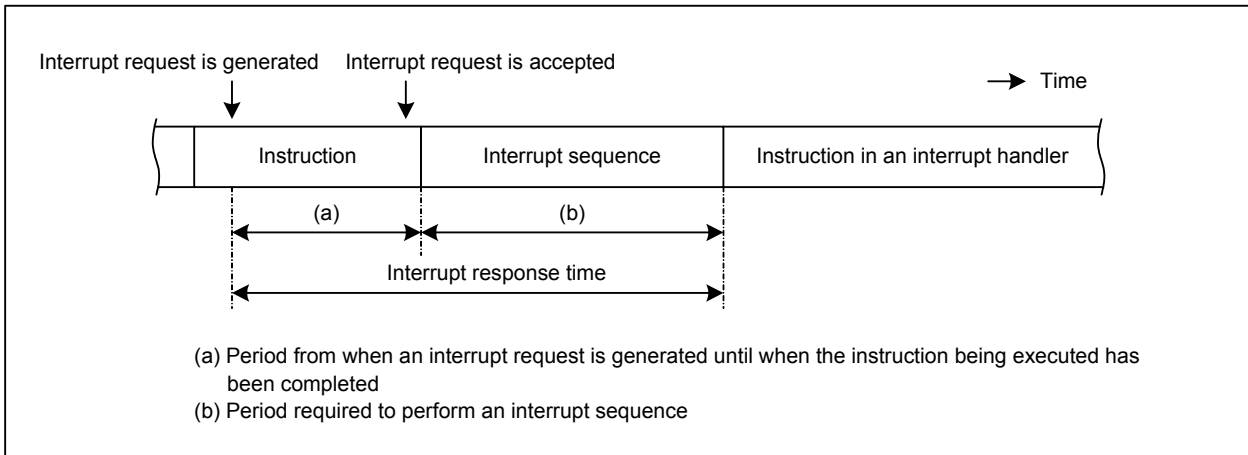


Figure 11.6 Interrupt Response Time

Period (a) varies depending on the instruction being executed. Instructions, such as LDCTX and STCTX in which registers are sequentially saved into or restored from the stack, require the longest time. For example, the STCTX instruction requires at least 30 cycles for 10 registers to be saved. It requires more time if the WAIT instruction is in the stack.

Period (b) is listed in Table 11.7.

Table 11.7 Interrupt Sequence Execution Time ⁽¹⁾

Interrupt	Execution Time in Terms of CPU Clock
Peripherals	13 + α cycles ⁽²⁾
INT instruction	11 cycles
NMI	10 cycles
Watchdog timer Oscillator stop detection Low voltage detection	11 cycles
Undefined instruction	12 cycles
Overflow	12 cycles
BRK instruction (relocatable vector table)	16 cycles
BRK instruction (fixed vector table)	19 cycles
BRK2 instruction	19 cycles
Fast interrupt	11 cycles

Notes:

1. These are the values when the interrupt vectors are aligned to the addresses in multiples of 4 in the internal ROM. However, the condition does not apply to the fast interrupt.
2. α is the number of waits to access SFRs minus 2.

11.6.6 IPL after Accepting an Interrupt Request

When a peripheral interrupt request is accepted, the interrupt request level is set in the IPL (processor interrupt priority level).

Software interrupts and special interrupts have no interrupt request level. When these interrupt requests are accepted, the value listed in Table 11.8 is set in the IPL as the interrupt request level.

Table 11.8 Interrupts without Interrupt Request Level and IPL

Interrupt Sources without Interrupt Request Level	IPL Value to be Set
NMI, watchdog timer, oscillator stop detection, low voltage detection	7
Reset	0
Software	Unchanged

11.6.7 Register Saving

In the interrupt sequence, the FLG register and PC values are saved to the stack, in that order. Figure 11.7 shows the stack status before and after an interrupt request is accepted.

In the fast interrupt sequence, the FLG register and PC values are saved to registers SVF and SVP, respectively.

If there are any other registers to be saved to the stack, save them at the beginning of the interrupt handler. A single PUSHM instruction saves all registers except the frame base register (FB) and stack pointer (SP).

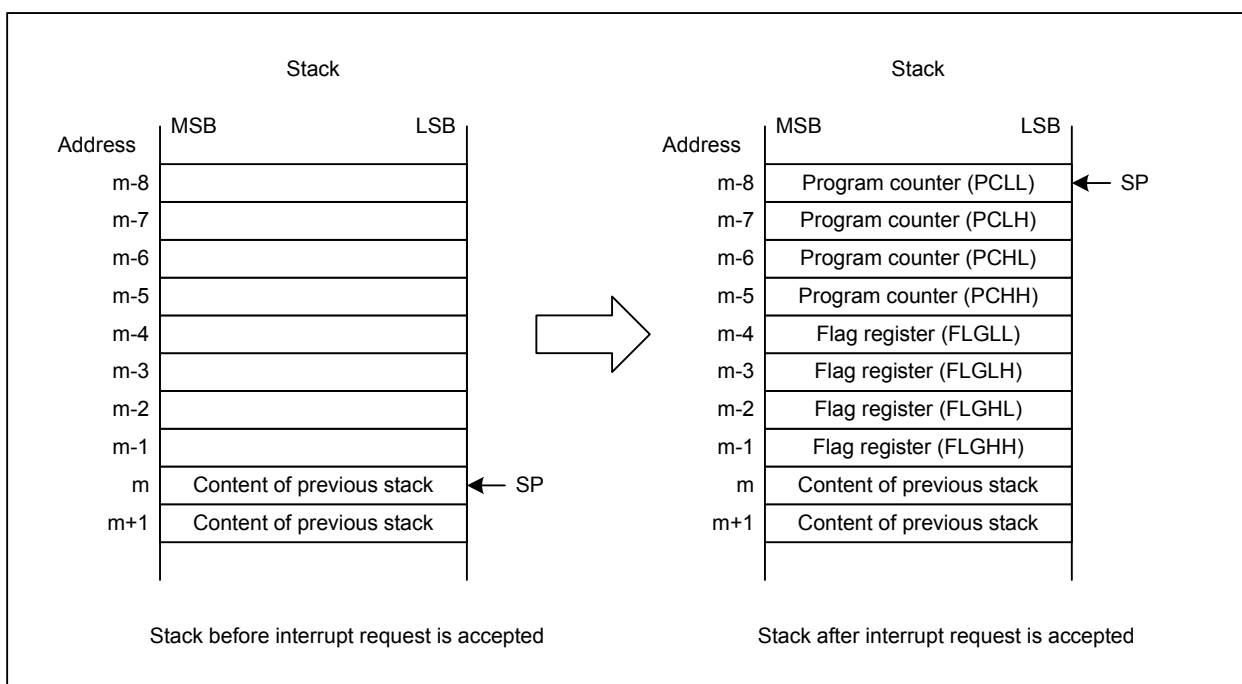


Figure 11.7 Stack Before and After an Interrupt Request is Accepted

11.7 Register Restoring from Interrupt Handler

When the REIT instruction is executed at the end of the interrupt handler, the FLG register and PC values, which are saved in the stack, are restored, and the program resumes the operation that was interrupted. In the fast interrupt, execute the FREIT instruction to restore them from the save registers, instead.

To restore the register values which are saved by software in the interrupt handler, use an instruction such as POPM before the REIT or FREIT instruction.

If the register bank is switched in the interrupt handler, the bank is automatically switched back to the original register bank by the REIT or FREIT instruction.

11.8 Interrupt Priority

If two or more interrupt requests are detected at an interrupt request sampling point, the interrupt request with higher priority is accepted.

For maskable interrupts (peripheral interrupts), the interrupt request level select bits (bits ILVL2 to ILVL0) select a request level. If two or more interrupt requests have the same request level, the interrupt with higher priority, predetermined by hardware, is accepted.

The priorities of the reset and special interrupts, such as the watchdog timer interrupt, are determined by the hardware. Note that the reset has the highest priority. The following is the priority order determined by the hardware:

Watchdog timer
Reset > Oscillator stop detection > NMI > Peripherals
Low voltage detection

Software interrupts are not governed by priority. A jump to the interrupt handler takes place whenever the relevant instruction is executed.

11.9 Priority Resolver

The priority resolver selects an interrupt that has the highest priority among requested interrupts detected at the same sampling point.

Figure 11.8 show the priority resolver.

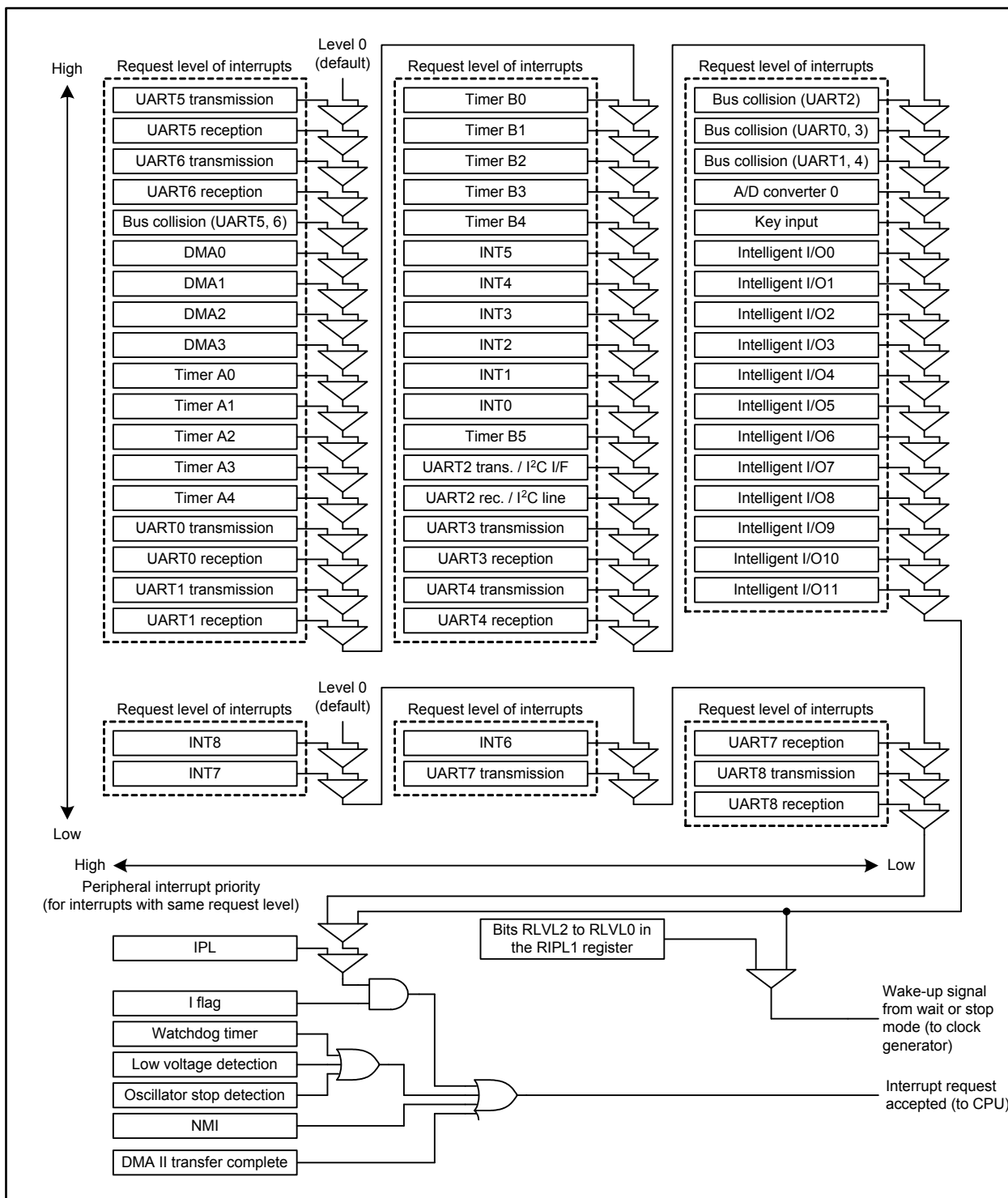


Figure 11.8 Priority Resolver

11.10 External Interrupt

An external interrupt occurs by an external input applied to the $\overline{\text{INT}}_i$ pin ($i = 0$ to 8). Set the LVS bit in the $\text{INT}i\text{C}$ register to select whether an interrupt is triggered by the effective edge(s) (edge sensitive), or by the effective level (level sensitive) of the input signal. The polarity of the input signal is selected by setting the POL bit in the same register.

When using edge-triggered interrupts, setting the $\text{IFSR}0_j$ bit in the $\text{IFSR}0$ register to 1 (both edges) causes interrupt requests to be generated on both rising and falling edges of the external input applied to the $\overline{\text{INT}}_j$ pin ($j = 0$ to 5). This also applies to setting the $\text{IFSR}1_n$ bit ($n = m - 6$) in the $\text{IFSR}1$ register to 1 (both edges) for the $\overline{\text{INT}}_m$ pin ($m = 6$ to 8). Set the POL bit in the corresponding register to 0 (falling edge) to set the $\text{IFSR}0_j$ bit or the $\text{IFSR}1_n$ bit to 1.

When using level-triggered interrupts, set the $\text{IFSR}0_j$ or $\text{IFSR}1_n$ bit to 0 (one edge). When an effective level, which is selected by the POL bit, is detected on the $\overline{\text{INT}}_i$ pin, the IR bit in the $\text{INT}i\text{C}$ register becomes 1. The IR bit does not become 0 even if the signal level at the $\overline{\text{INT}}_i$ pin changes. This bit is set to 0 when the $\text{INT}i$ interrupt is accepted or it is set to 0 by a program.

Figures 11.9 and 11.10 show registers $\text{IFSR}0$ and $\text{IFSR}1$, respectively.

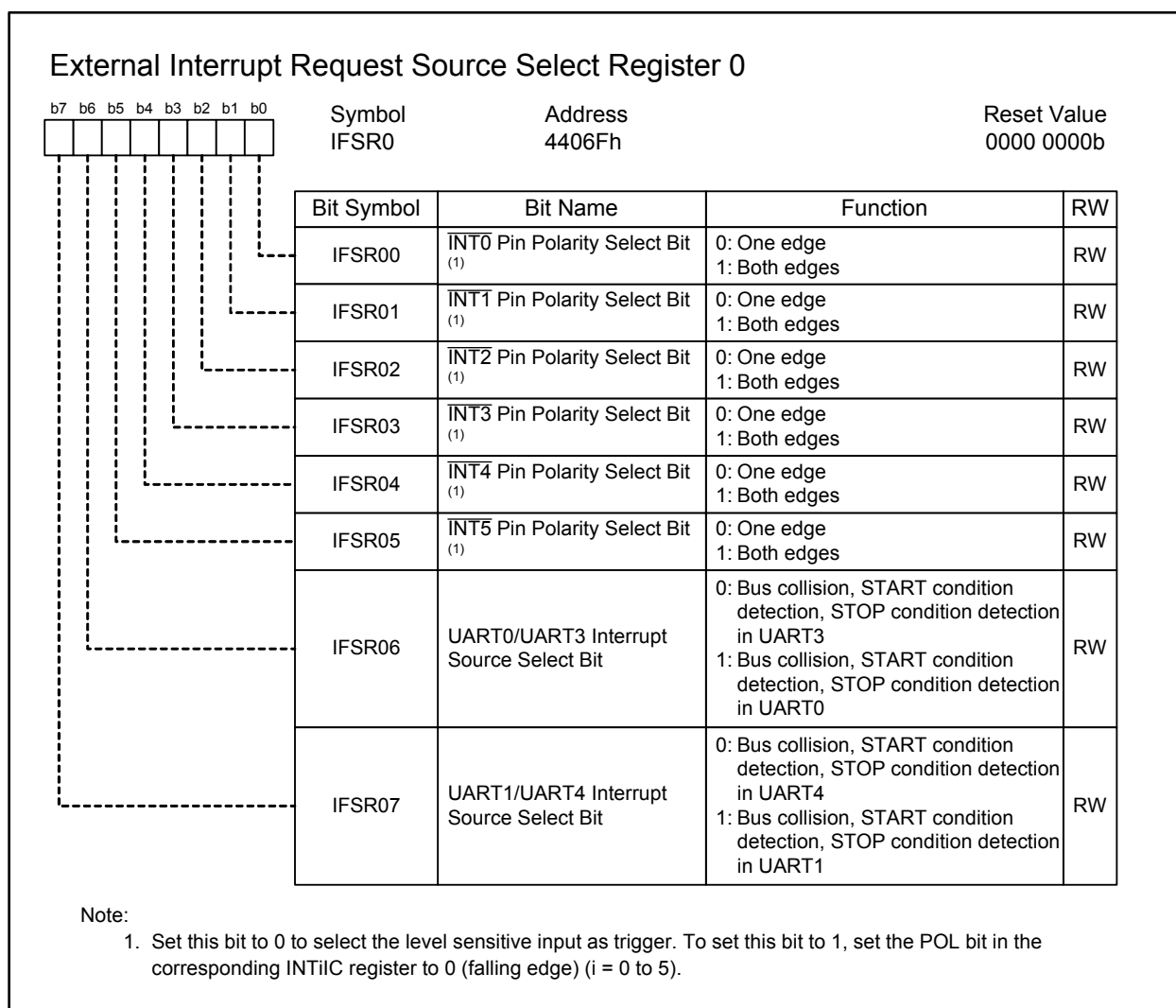


Figure 11.9 IFSR0 Register

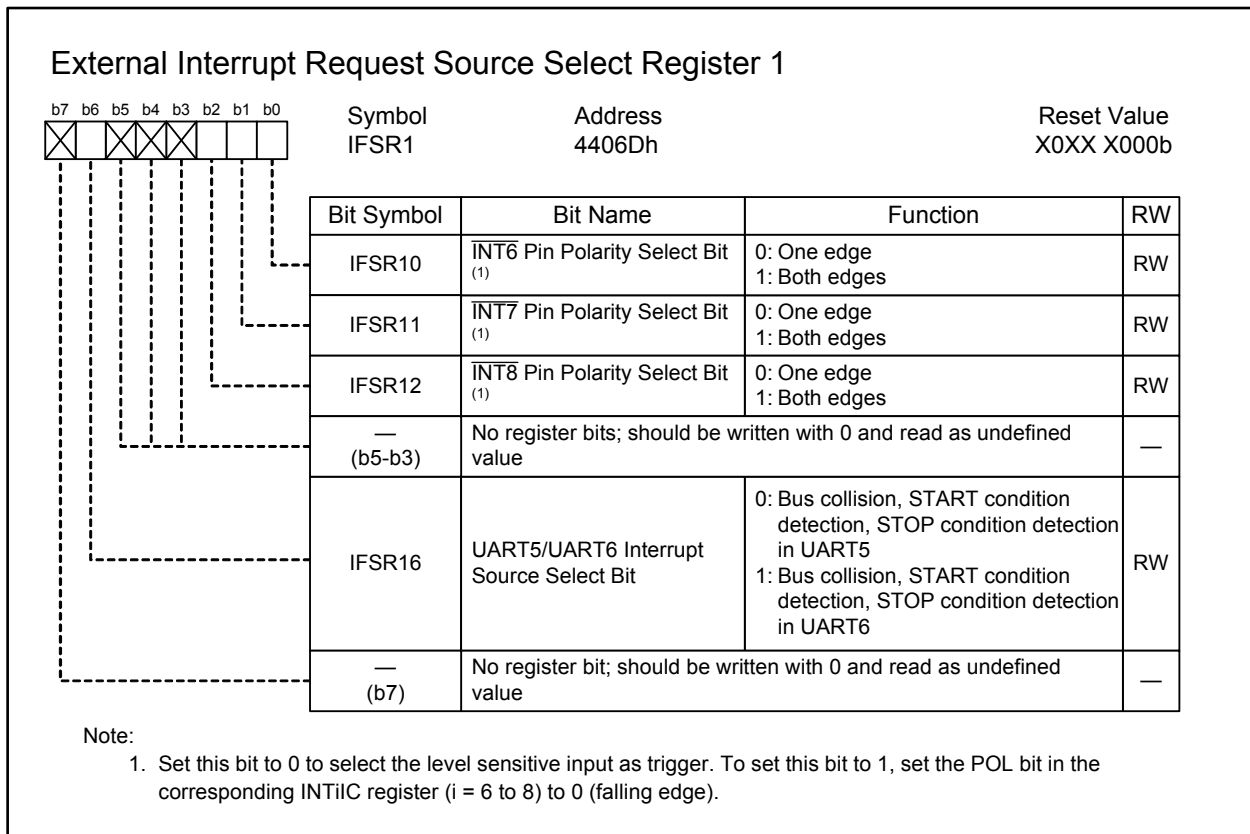


Figure 11.10 IFSR1 Register

11.11 NMI

The NMI (non maskable interrupt) occurs when an input signal at the $\overline{\text{NMI}}$ pin switches from high to low. This non maskable interrupt is disabled after a reset. To enable this interrupt, set the PM24 bit in the PM2 register to 1 after setting the interrupt stack pointer (ISP) at the beginning of the program. The $\overline{\text{NMI}}$ pin shares a pin with port P8_5, which enables the P8_5 bit in the P8 register to indicate the input level at the $\overline{\text{NMI}}$ pin.

Note:

- When not using the NMI, do not change the reset value of the PM24 bit in the PM2 register.

11.12 Key Input Interrupt

The key input interrupt is enabled by setting ports P10_4 to P10_7 as input ports.

The interrupt request is generated if any of the signals applied to ports P10_4 to P10_7 switch from high to low. This interrupt also functions as key wake-up to exit wait or stop mode. Figure 11.11 shows a block diagram of the key input interrupt. If any of the ports are held low, signals applied to other ports are not detected as interrupt request signals.

To use the key input interrupt, every register from P10_4S to P10_7S should be set to 00h (I/O port) and bits PD10_4 to PD10_7 should be set to 0 (input). This is the only setting available for the key input interrupt.

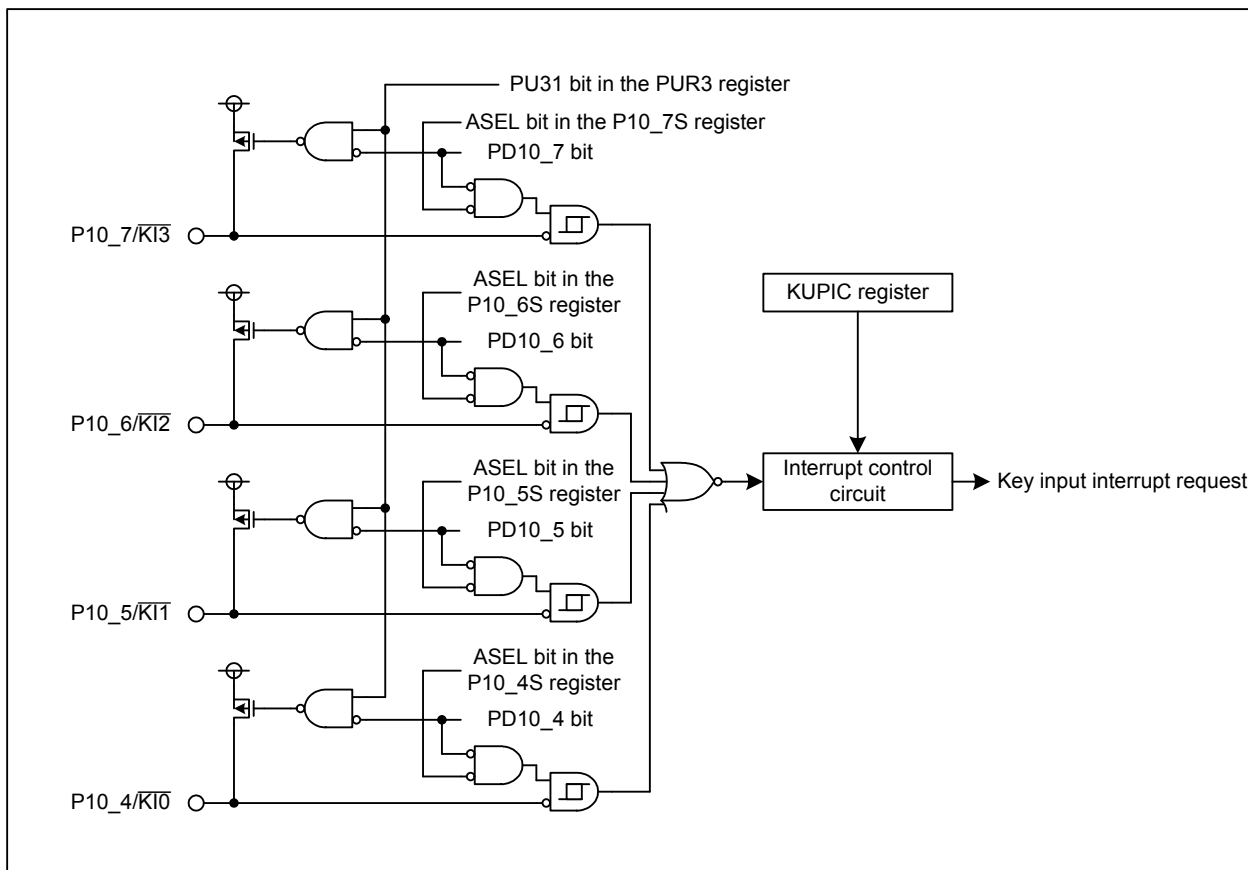


Figure 11.11 Key Input Interrupt Block Diagram

11.13 Intelligent I/O Interrupt

The intelligent I/O interrupt is assigned to software interrupt numbers 44 to 55.

Figure 11.12 shows a block diagram of the intelligent I/O interrupt. Figures 11.13 and 11.14 show registers IIOiIR and IIOiIE, respectively ($i = 0$ to 11).

To use the intelligent I/O interrupt, set the IRLT bit in the IIOiIE register to 1 (interrupt requests used for interrupt).

The intelligent I/O interrupt has multiple request sources. When an interrupt request is generated with an intelligent I/O function, the corresponding bit in the IIOiIR register becomes 1 (interrupt requested). If the corresponding bit in the IIOiIE register is 1 (interrupt enabled), the IR bit in the corresponding IIOiC register changes to 1 (interrupt requested).

After the IR bit setting changes from 0 to 1, it remains unchanged if a bit in the IIOiIR register becomes 1 by another interrupt request source and the corresponding bit in the IIOiIE register is 1.

Bits in the IIOiIR register do not become 0 even if an interrupt is accepted. They should be set to 0 by either the AND or BCLR instruction. Note that every generated interrupt request is ignored until these bits are set to 0.

To use the intelligent I/O interrupt as a DMAC II trigger, set the IRLT bit in the IIOiIE register to 0 (interrupt requests used for DMA or DMA II) and the bit used for the interrupt source to 1 (interrupt enabled) in the IIOiIE register.

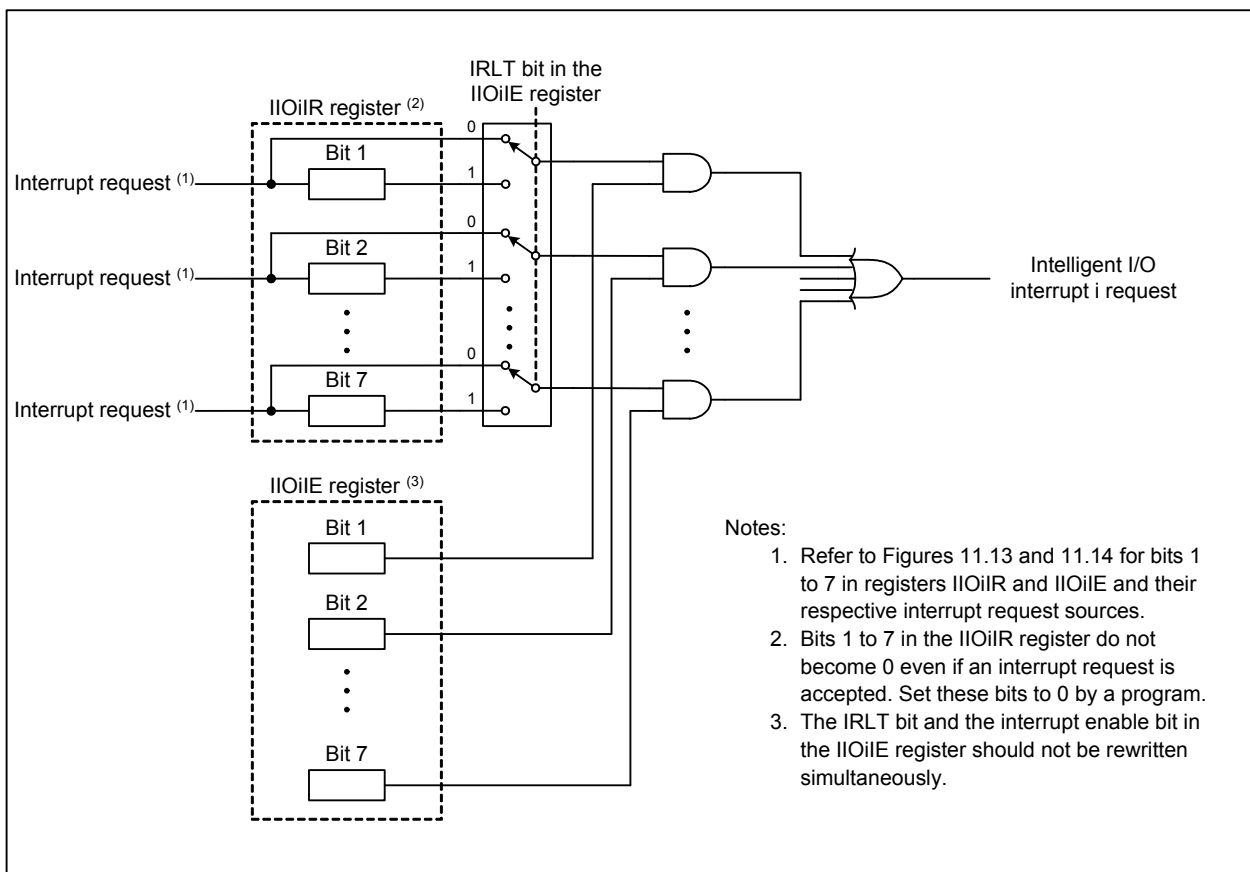
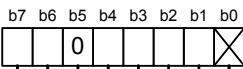


Figure 11.12 Intelligent I/O Interrupt Block Diagram ($i = 0$ to 11)

Intelligent I/O Interrupt Request Register i (i = 0 to 11)



Symbol IIO0IR to IIO11IR
Address Refer to the table below

Reset Value
??? ????b⁽¹⁾

Bit Symbol	Bit Name	Function	RW
— (b0)	No register bit; this bit is read as 1		—
(Note 2)	0: No interrupt requested 1: Interrupt requested ⁽³⁾		RW
(Note 2)	0: No interrupt requested 1: Interrupt requested ⁽³⁾		RW
(Note 2)	0: No interrupt requested 1: Interrupt requested ⁽³⁾		RW
(Note 2)	0: No interrupt requested 1: Interrupt requested ⁽³⁾		RW
— (b5)	Reserved	Should be written with 0	RW
(Note 2)	0: No interrupt requested 1: Interrupt requested ⁽³⁾		RW
(Note 2)	0: No interrupt requested 1: Interrupt requested ⁽³⁾		RW

Notes:

1. When the register has any function-assigned bit, the reset value is X (undefined); otherwise, the reset value is 0.
2. Refer to the table below for bit symbols.
3. When this bit is function-assigned, it can only be set to 0. It should not be set to 1. To set it to 0, either the AND or BCLR instruction should be used; when the bit is not function-assigned (reserved), it should be set to 0.

Bit Symbols for the Intelligent I/O Interrupt Request Register

Symbol	Address	Bit 7	Bit 6	Bit 5	Bit 4	Bit 3	Bit 2	Bit 1	Bit 0
IIO0IR	00A0h	—	—	—	—	—	TM13R/PO13R	TM02R/PO02R	—
IIO1IR	00A1h	—	—	—	—	—	TM14R/PO14R	TM00R/PO00R	—
IIO2IR	00A2h	—	—	—	—	—	TM12R/PO12R	—	—
IIO3IR	00A3h	—	—	—	—	PO27R	TM10R/PO10R	TM03R/PO03R	—
IIO4IR	00A4h	—	—	—	BT1R	—	TM17R/PO17R	TM04R/PO04R	—
IIO5IR	00A5h	—	—	—	SIO2RR	—	PO21R	TM05R/PO05R	—
IIO6IR	00A6h	—	—	—	SIO2TR	—	PO20R	TM06R/PO06R	—
IIO7IR	00A7h	IE0R	—	—	BT0R	—	PO22R	TM07R/PO07R	—
IIO8IR	00A8h	IE1R	IE2R	—	BT2R	—	PO23R	TM11R/PO11R	—
IIO9IR	00A9h	—	INT6R	—	—	—	PO24R	TM15R/PO15R	—
IIO10IR	00AAh	—	INT7R	—	—	—	PO25R	TM16R/PO16R	—
IIO11IR	00ABh	—	INT8R	—	—	—	PO26R	TM01R/PO01R	—

BTxR: Intelligent I/O group x base timer interrupt request (x = 0 to 2)

TMxyR: Intelligent I/O group x time measurement channel y interrupt request (x = 0, 1; y = 0 to 7)

POxyR: Intelligent I/O group x waveform generation channel y interrupt request (x = 0 to 2; y = 0 to 7)

IEzR: Intelligent I/O group z IEBus interrupt request (z = 0 to 2)

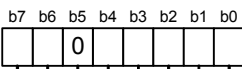
SIO2RR: Intelligent I/O group 2 receive interrupt request

SIO2TR: Intelligent I/O group 2 transmit interrupt request

INTmR: INTm interrupt request (m = 6 to 8)

Figure 11.13 Registers IIO0IR to IIO11IR

Intelligent I/O Interrupt Enable Register i (i = 0 to 11)



Symbol
IIO0IE to IIO11IE

Address
Refer to the table below.

Reset Value
0000 0000b

Bit Symbol	Bit Name	Function	RW
IRLT	Interrupt Request Select Bit ⁽²⁾	0: Use interrupt requests for DMA or DMA II 1: Use interrupt requests for interrupt	RW
(Note 1)	0: Disable the interrupt of bit 1 in the IIOiIR register 1: Enable the interrupt of bit 1 in the IIOiIR register		RW
(Note 1)	0: Disable the interrupt of bit 2 in the IIOiIR register 1: Enable the interrupt of bit 2 in the IIOiIR register		RW
(Note 1)	0: Disable the interrupt of bit 3 in the IIOiIR register 1: Enable the interrupt of bit 3 in the IIOiIR register		RW
(Note 1)	0: Disable the interrupt of bit 4 in the IIOiIR register 1: Enable the interrupt of bit 4 in the IIOiIR register		RW
— (b5)	Reserved	Should be written with 0	RW
(Note 1)	0: Disable the interrupt of bit 6 in the IIOiIR register 1: Enable the interrupt of bit 6 in the IIOiIR register		RW
(Note 1)	0: Disable the interrupt of bit 7 in the IIOiIR register 1: Enable the interrupt of bit 7 in the IIOiIR register		RW

Notes:

- Refer to the table below for bit symbols.
- To use interrupt requests for interrupt, the IRLT bit should be set to 1, then bits 1 to 4, 6, and 7 should be set to 1.

Bit Symbols for the Intelligent I/O Interrupt Enable Register

Symbol	Address	Bit 7	Bit 6	Bit 5	Bit 4	Bit 3	Bit 2	Bit 1	Bit 0
IIO0IE	00B0h	—	—	—	—	—	TM13E/PO13E	TM02E/PO02E	IRLT
IIO1IE	00B1h	—	—	—	—	—	TM14E/PO14E	TM00E/PO00E	IRLT
IIO2IE	00B2h	—	—	—	—	—	TM12E/PO12E	—	IRLT
IIO3IE	00B3h	—	—	—	—	PO27E	TM10E/PO10E	TM03E/PO03E	IRLT
IIO4IE	00B4h	—	—	—	BT1E	—	TM17E/PO17E	TM04E/PO04E	IRLT
IIO5IE	00B5h	—	—	—	SIO2RE	—	PO21E	TM05E/PO05E	IRLT
IIO6IE	00B6h	—	—	—	SIO2TE	—	PO20E	TM06E/PO06E	IRLT
IIO7IE	00B7h	IE0E	—	—	BT0E	—	PO22E	TM07E/PO07E	IRLT
IIO8IE	00B8h	IE1E	IE2E	—	BT2E	—	PO23E	TM11E/PO11E	IRLT
IIO9IE	00B9h	—	INT6E	—	—	—	PO24E	TM15E/PO15E	IRLT
IIO10IE	00BAh	—	INT7E	—	—	—	PO25E	TM16E/PO16E	IRLT
IIO11IE	00BBh	—	INT8E	—	—	—	PO26E	TM01E/PO01E	IRLT

BTxE: Intelligent I/O group x base timer interrupt enabled (x = 0 to 2)

TMxyE: Intelligent I/O group x time measurement channel y interrupt enabled (x = 0, 1; y = 0 to 7)

POxyE: Intelligent I/O group x waveform generation channel y interrupt enabled (x = 0 to 2; y = 0 to 7)

IEzE: Intelligent I/O group 2 IEBus interrupt enabled (z = 0 to 2)

SIO2RE: Intelligent I/O group 2 receive interrupt enabled

SIO2TE: Intelligent I/O group 2 transmit interrupt enabled

INTmE: INTm interrupt enabled (m = 6 to 8)

Figure 11.14 Registers IIO0IE to IIO11IE

11.14 Notes on Interrupts

11.14.1 ISP Setting

The interrupt stack pointer (ISP) is initialized to 00000000h after a reset. Set a value to the ISP before an interrupt is accepted, otherwise the program may go out of control. A multiple of 4 should be set to the ISP, which enables faster interrupt sequence due to less memory access.

When using NMI, in particular, since this interrupt cannot be disabled, set the PM24 bit in the PM2 register to 1 (NMI enabled) after setting the ISP at the beginning of the program.

11.14.2 NMI

- NMI cannot be disabled once the PM24 bit in the PM2 register is set to 1 (NMI enabled). This bit setting should be done only when using NMI.
- When the PM24 bit in the PM2 register is 1 (NMI enabled), the P8_5 bit in the P8 register is enabled just for monitoring the $\overline{\text{NMI}}$ pin state. It is not enabled as a general port.

11.14.3 External Interrupts

- The input signal to the $\overline{\text{INT}}_i$ pin requires the pulse width specified in the electrical characteristics ($i = 0$ to 8). If the pulse width is narrower than the specification, an external interrupt may not be accepted.
- When the effective level or edge of the $\overline{\text{INT}}_i$ pin ($i = 0$ to 8) is changed by the following bits: bits POL, LVS in the INTiIC register, the IFSR0i bit ($i = 0$ to 5) in the IFSR0 register, and the IFSR1j bit ($j = i - 6$; $i = 6$ to 8) in the IFSR1 register, the corresponding IR bit may become 1 (interrupt requested). When setting the above mentioned bits, preset bits ILVL2 to ILVL0 in the INTiIC register to 000b (interrupt disabled). After setting the above mentioned bits, set the corresponding IR bit to 0 (no interrupt requested), then rewrite bits ILVL2 to ILVL0.
- The interrupt input signals to pins $\overline{\text{INT}}_6$ to $\overline{\text{INT}}_8$ are also connected to bits INT6R to INT8R in registers IIO9IR to IIO11IR. Therefore, these input signals, when assigned to the intelligent I/O, can be used as a source for exiting wait mode or stop mode. Note that these signals are enabled only on the falling edge and not affected by the following bit settings: bits POL and LVS in the INTiIC register ($i = 0$ to 8), IFSR0i bit ($i = 0$ to 5) in the IFSR0 register, and the IFSR1j bit ($j = i - 6$; $i = 6$ to 8) in the IFSR1 register.

12. Watchdog Timer

The watchdog timer is used to detect program runaway. The 15-bit watchdog counter decrements with the cycle which is the peripheral bus clock frequency divided by the prescaler.

Select either an interrupt request or a reset with the CM06 bit in the CM0 register for when the watchdog timer underflows. Once the CM06 bit is set to 1 (reset), it cannot be changed to 0 (watchdog timer interrupt) by a program. It can be set to 0 only by a reset.

The watchdog timer has a prescaler which is the peripheral bus clock divided by 16 or 128. To select the divide ratio, set the WDC7 bit in the WDC register.

The watchdog timer is stopped in wait mode, stop mode, or when the $\overline{\text{HOLD}}$ signal is driven low. It resumes counting from the value held when exiting the mode or state.

The general formula to calculate a watchdog timer period is:

$$\text{Watchdog timer period} = \frac{\text{Prescaler divisor (16 or 128)} \times 32768}{\text{Peripheral bus clock frequency}}$$

For example, when the peripheral bus clock is 1/2 of 64 MHz CPU clock and the prescaler has a divide-by-16 operation, the watchdog timer period is approximately 16.4 ms. Depending on the timing of when a value is written to the WDTS register, a marginal error of one prescaler output cycle (maximum) may occur in the watchdog timer period.

The watchdog timer is initialized when a write operation to the WDTS register is performed or when a watchdog timer interrupt request is generated. The prescaler is initialized only when the MCU is reset.

After a reset, both the watchdog timer and the prescaler are stopped. They start counting when a write operation to the WDTS register is performed.

Figure 12.1 shows a block diagram of the watchdog timer. Figures 12.2 and 12.3 show registers associated with the watchdog timer.

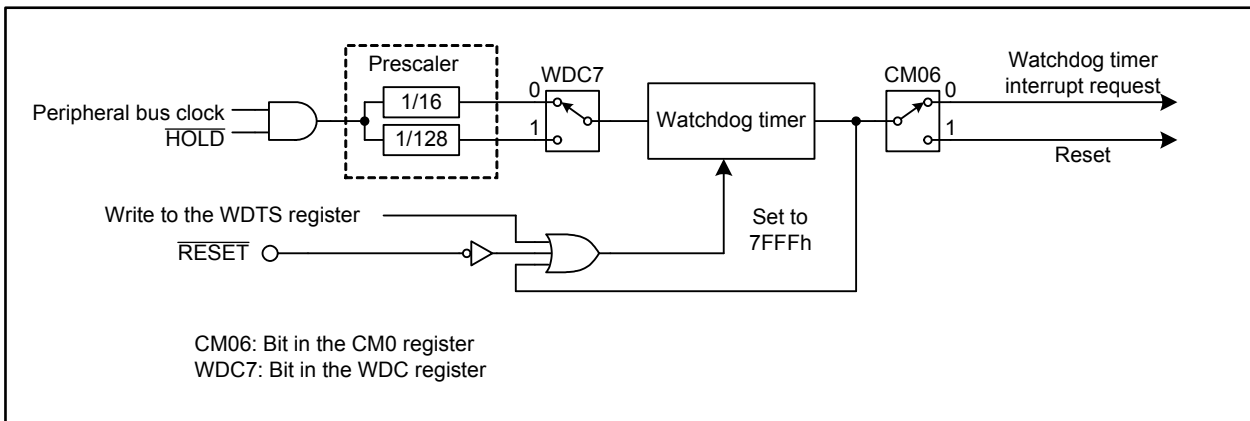


Figure 12.1 Watchdog Timer Block Diagram

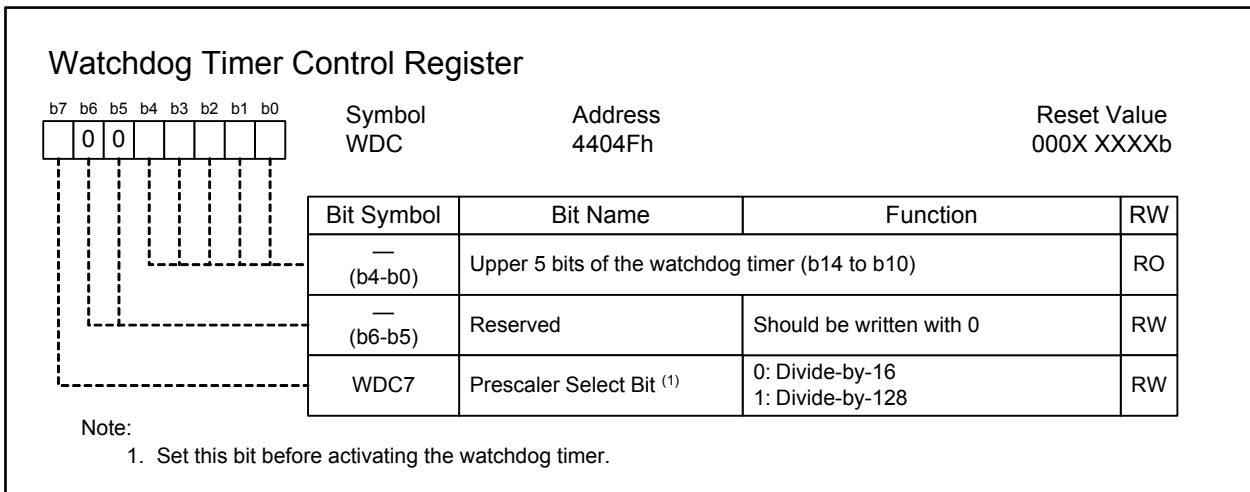


Figure 12.2 WDC Register

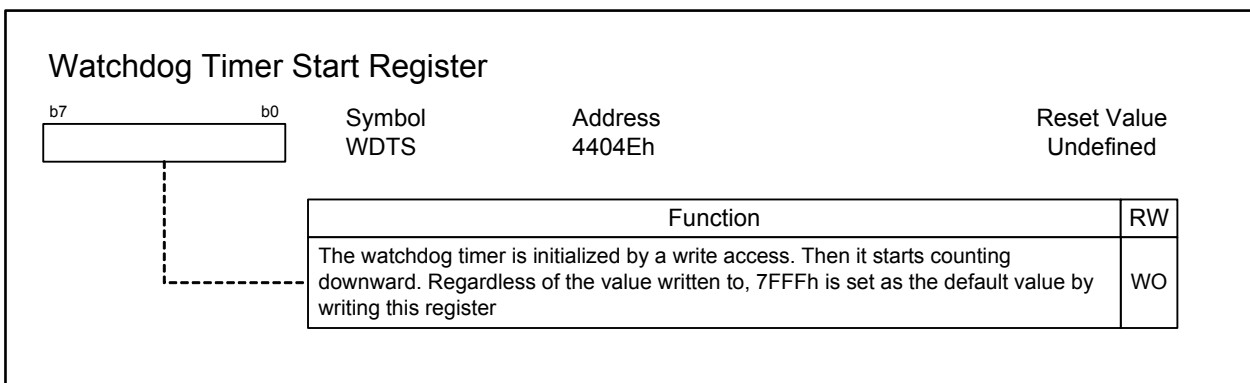


Figure 12.3 WDTS Register

13. DMAC

Direct memory access (DMA) is a system that can control data transfer without using a CPU instruction. The R32C/100 Series' four channel DMA controller (DMAC) transmits 8-bit (byte), 16-bit (word), or 32-bit (long word) data in cycle-steal mode from a source address to a destination address each time a transfer request is generated.

The DMAC, which shares a data bus with the CPU, has a higher bus access priority than the CPU. This allows the DMAC to perform fast data transfer when a transfer request is generated.

Figure 13.1 shows a map of the CPU-internal registers associated with DMAC. Table 13.1 lists DMAC specifications. Figures 13.2 to 13.10 show registers associated with DMAC. Since the registers shown in Figure 13.1 are allocated in the CPU, the LDC or STC instruction should be used to write to the registers.

DMAC-associated Registers	
DMD0	DMA0 mode register
DMD1	DMA1 mode register
DMD2	DMA2 mode register
DMD3	DMA3 mode register
DCT0	DMA0 terminal count register
DCT1	DMA1 terminal count register
DCT2	DMA2 terminal count register
DCT3	DMA3 terminal count register
DCR0	DMA0 terminal count reload register ⁽¹⁾
DCR1	DMA1 terminal count reload register ⁽¹⁾
DCR2	DMA2 terminal count reload register ⁽¹⁾
DCR3	DMA3 terminal count reload register ⁽¹⁾
DSA0	DMA0 source address register
DSA1	DMA1 source address register
DSA2	DMA2 source address register
DSA3	DMA3 source address register
DSR0	DMA0 source address reload register ⁽¹⁾
DSR1	DMA1 source address reload register ⁽¹⁾
DSR2	DMA2 source address reload register ⁽¹⁾
DSR3	DMA3 source address reload register ⁽¹⁾
DDA0	DMA0 destination address register
DDA1	DMA1 destination address register
DDA2	DMA2 destination address register
DDA3	DMA3 destination address register
DDR0	DMA0 destination address reload register ⁽¹⁾
DDR1	DMA1 destination address reload register ⁽¹⁾
DDR2	DMA2 destination address reload register ⁽¹⁾
DDR3	DMA3 destination address reload register ⁽¹⁾

Note:

1. This register is used for repeat transfer, not for single transfer.

Figure 13.1 CPU-internal Registers for DMAC

Table 13.1 DMAC Specifications (i = 0 to 3)

Item		Specification
Channels		4
Bus request mode		Cycle-steal mode
Transfer memory spaces		From a given address in a 64-Mbyte space (00000000h to 01FFFFFFh and FE000000h to FFFFFFFFh) to another given address in the same space
Maximum transfer bytes		64-Mbytes (when 32-bit data is transferred), 32-Mbytes (when 16-bit data is transferred), 16-Mbytes (when 8-bit data is transferred)
DMA request sources ⁽¹⁾		Falling edge or both edges of signals applied to pins INT0 to INT3 or pins INT6 to INT8 Interrupt requests from timers A0 to A4 Interrupt requests from timers B0 to B5 Transmit/receive interrupt requests from UART0 to UART8 A/D conversion interrupt requests Intelligent I/O interrupt requests Multi-master I ² C-bus interrupt requests Software trigger
Channel priority		DMA0 > DMA1 > DMA2 > DMA3 (DMA0 has the highest priority)
Transfer sizes		8 bits, 16 bits, or 32 bits
Addressing modes		Incrementing addressing or non-incrementing addressing
Transfer modes	Single transfer	Transfer is completed when the DCTi register becomes 00000000h
	Repeat transfer	When the DCTi register becomes 00000000h, the value of the DCRI register is reloaded into the DCTi register to continue the DMA transfer
DMA transfer complete interrupt request generation timing		When the DCTi register changes from 00000001h to 00000000h
DMA transfer start-up	Single transfer	When a DMA transfer request is generated after the DCTi register is set to a value other than 00000000h and bits MDi1 and MDi0 in the DMDi register are set to 01b (single transfer)
	Repeat transfer	When a DMA transfer request is generated after the DCTi register is set to a value other than 00000000h and bits MDi1 and MDi0 are set to 11b (repeat transfer)
DMA transfer stop	Single transfer	When bits MDi1 and MDi0 are set to 00b (DMA transfer disabled)
	Repeat transfer	When bits MDi1 and MDi0 are set to 00b (DMA transfer disabled)
Reload timing to DCTi, DSAi, or DDAi register		When the DCTi register changes from 00000001h to 00000000h in repeat transfer mode
Minimum DMA transfer cycles		3

Note:

1. DMA transfer does not affect any interrupts.

The DMA transfer request is available by two different sources: software and hardware. More concretely, they are a write access to the DSR bit in the DMiSL2 register and an interrupt request output from a function specified in bits DSEL4 to DSEL0 in the DMiSL register, and in bits DSEL24 to DSEL20 in the DMiSL2 register ($i = 0$ to 3). Unlike interrupt requests, the DMA transfer request is not affected by the I flag or the interrupt control register. Therefore this request can be accepted even when interrupts are disabled. Since the DMA transfer does not affect any interrupts, either, the IR bit in the interrupt control register is not changed by the DMA transfer.

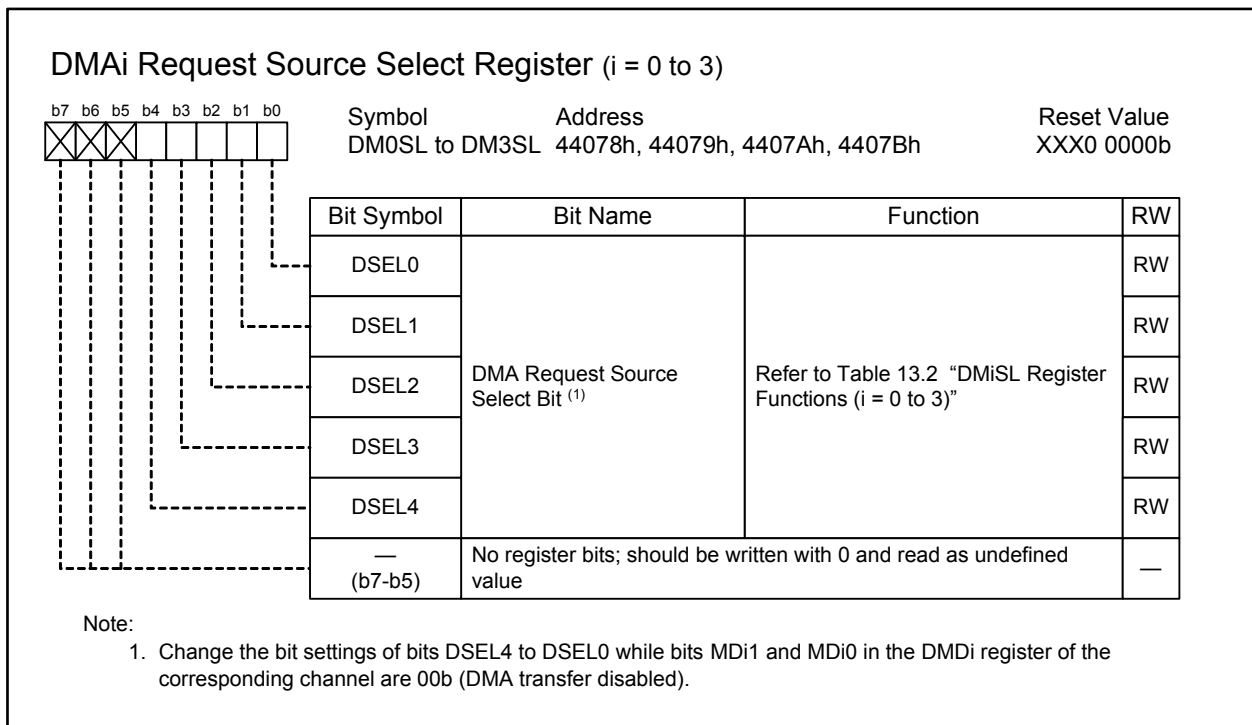


Figure 13.2 Registers DM0SL to DM3SL

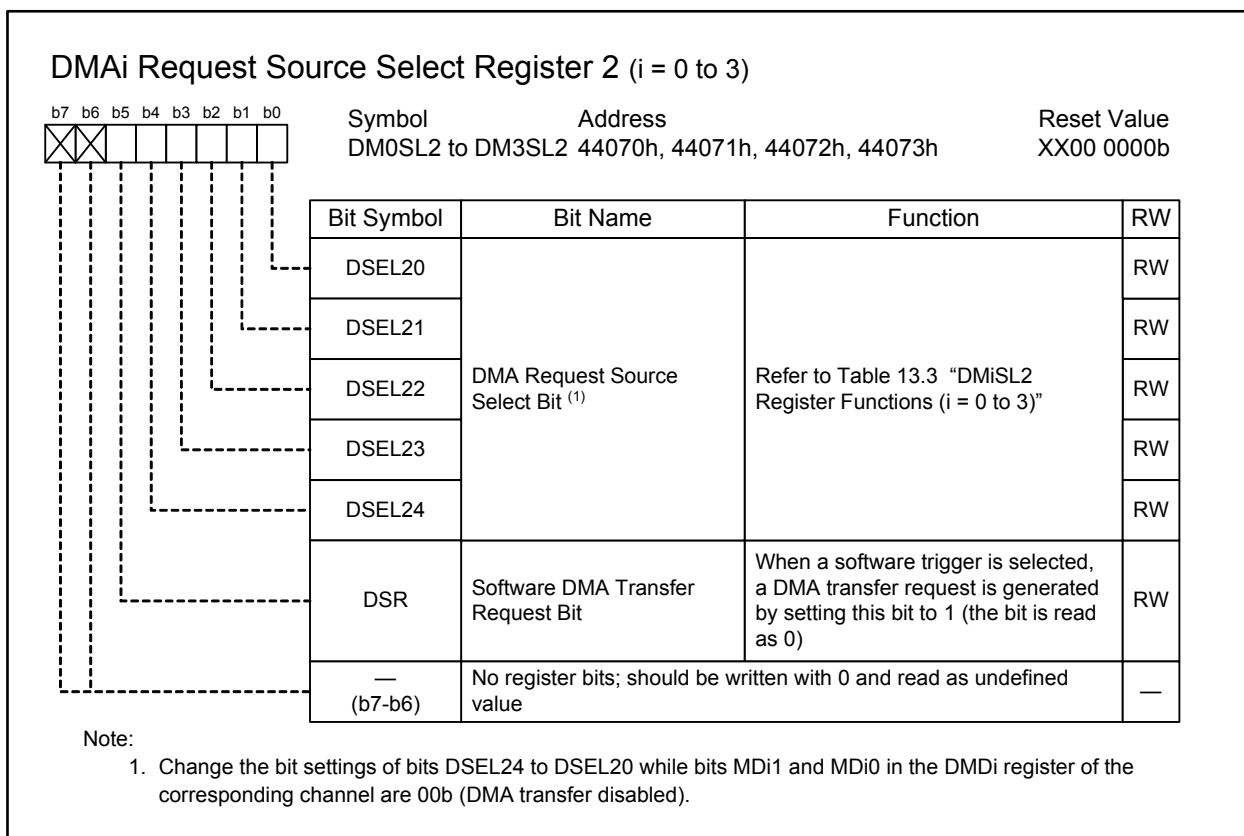


Figure 13.3 Registers DM0SL2 to DM3SL2

Table 13.2 DMiSL Register Functions (i = 0 to 3)

Setting Value b4 b3 b2 b1 b0	DMA Request Source			
	DMA0	DMA1	DMA2	DMA3
0 0 0 0 0	Select from DMiSL2 register			
0 0 0 0 1	Falling edge of $\overline{\text{INT0}}$ ⁽¹⁾	Falling edge of $\overline{\text{INT1}}$ ⁽¹⁾	Falling edge of $\overline{\text{INT2}}$ ⁽¹⁾	Falling edge of $\overline{\text{INT3}}$ ^(1, 2)
0 0 0 1 0	Both edges of $\overline{\text{INT0}}$ ⁽¹⁾	Both edges of $\overline{\text{INT1}}$ ⁽¹⁾	Both edges of $\overline{\text{INT2}}$ ⁽¹⁾	Both edges of $\overline{\text{INT3}}$ ^(1, 2)
0 0 0 1 1	Timer A0 interrupt request			
0 0 1 0 0	Timer A1 interrupt request			
0 0 1 0 1	Timer A2 interrupt request			
0 0 1 1 0	Timer A3 interrupt request			
0 0 1 1 1	Timer A4 interrupt request			
0 1 0 0 0	Timer B0 interrupt request			
0 1 0 0 1	Timer B1 interrupt request			
0 1 0 1 0	Timer B2 interrupt request			
0 1 0 1 1	Timer B3 interrupt request			
0 1 1 0 0	Timer B4 interrupt request			
0 1 1 0 1	Timer B5 interrupt request			
0 1 1 1 0	UART0 transmit interrupt request			
0 1 1 1 1	UART0 receive interrupt request or ACK interrupt request ⁽³⁾			
1 0 0 0 0	UART1 transmit interrupt request			
1 0 0 0 1	UART1 receive interrupt request or ACK interrupt request ⁽³⁾			
1 0 0 1 0	UART2 transmit interrupt request or I ² C-bus interface interrupt request ⁽⁴⁾			
1 0 0 1 1	UART2 receive interrupt request, ACK interrupt request ⁽³⁾ , or I ² C-bus line interrupt request ⁽⁴⁾			
1 0 1 0 0	UART3 transmit interrupt request		UART5 transmit interrupt request	
1 0 1 0 1	UART3 receive interrupt request or ACK interrupt request ⁽³⁾		UART5 receive interrupt request or ACK interrupt request ⁽³⁾	
1 0 1 1 0	UART4 transmit interrupt request		UART6 transmit interrupt request	
1 0 1 1 1	UART4 receive interrupt request or ACK interrupt request ⁽³⁾		UART6 receive interrupt request or ACK interrupt request ⁽³⁾	
1 1 0 0 0	A/D0 interrupt request			
1 1 0 0 1	Intelligent I/O interrupt 0 request	Intelligent I/O interrupt 7 request	Intelligent I/O interrupt 2 request	Intelligent I/O interrupt 9 request
1 1 0 1 0	Intelligent I/O interrupt 1 request	Intelligent I/O interrupt 8 request	Intelligent I/O interrupt 3 request	Intelligent I/O interrupt 10 request
1 1 0 1 1	Intelligent I/O interrupt 2 request	Intelligent I/O interrupt 9 request	Intelligent I/O interrupt 4 request	Intelligent I/O interrupt 11 request
1 1 1 0 0	Intelligent I/O interrupt 3 request	Intelligent I/O interrupt 10 request	Intelligent I/O interrupt 5 request	Intelligent I/O interrupt 0 request
1 1 1 0 1	Intelligent I/O interrupt 4 request	Intelligent I/O interrupt 11 request	Intelligent I/O interrupt 6 request	Intelligent I/O interrupt 1 request
1 1 1 1 0	Intelligent I/O interrupt 5 request	Intelligent I/O interrupt 0 request	Intelligent I/O interrupt 7 request	Intelligent I/O interrupt 2 request
1 1 1 1 1	Intelligent I/O interrupt 6 request	Intelligent I/O interrupt 1 request	Intelligent I/O interrupt 8 request	Intelligent I/O interrupt 3 request

Notes:

1. The falling edge and both edges of signals applied to the $\overline{\text{INTi}}$ pin become the DMA request sources (i = 0 to 3). These request sources are not affected by external interrupts (the IFSR0 register and bits POL and LVS in the INTiC register), and vice versa.
2. When the $\overline{\text{INT3}}$ pin is used as data bus in memory expansion mode or microprocessor mode, it cannot be used as a signal input of the DMA3 request source.
3. Registers UiSMR and UiSMR2 are used to switch between the UARTi receive interrupt and ACK interrupt (i = 0 to 6).
4. Set the I2CEN bit in the I2CMR register to select an interrupt source from either UART2 or I²C-bus.

Table 13.3 DMiSL2 Register Functions (i = 0 to 3)

Setting Value b4 b3 b2 b1 b0	DMA Request Source			
	DMA0	DMA1	DMA2	DMA3
0 0 0 0 0	Software trigger			
0 0 0 0 1	Falling edge of $\overline{\text{INT6}}$ ⁽¹⁾	Falling edge of $\overline{\text{INT7}}$ ⁽¹⁾	Falling edge of $\overline{\text{INT8}}$ ⁽¹⁾	Reserved
0 0 0 1 0	Both edges of $\overline{\text{INT6}}$ ⁽¹⁾	Both edges of $\overline{\text{INT7}}$ ⁽¹⁾	Both edges of $\overline{\text{INT8}}$ ⁽¹⁾	Reserved
0 0 0 1 1	Reserved			
0 0 1 0 0	Reserved			
0 0 1 0 1	Reserved			
0 0 1 1 0	Reserved			
0 0 1 1 1	Reserved			
0 1 0 0 0	Reserved			
0 1 0 0 1	Reserved			
0 1 0 1 0	Reserved			
0 1 0 1 1	Reserved			
0 1 1 0 0	Reserved			
0 1 1 0 1	Reserved			
0 1 1 1 0	Reserved			
0 1 1 1 1	Reserved			
1 0 0 0 0	Reserved			
1 0 0 0 1	Reserved			
1 0 0 1 0	Reserved			
1 0 0 1 1	Reserved			
1 0 1 0 0	Reserved			
1 0 1 0 1	Reserved			
1 0 1 1 0	Reserved			
1 0 1 1 1	Reserved			
1 1 0 0 0	UART7 transmit interrupt request			
1 1 0 0 1	UART7 receive interrupt request			
1 1 0 1 0	UART8 transmit interrupt request			
1 1 0 1 1	UART8 receive interrupt request			
1 1 1 0 0	Reserved			
1 1 1 0 1	Reserved			
1 1 1 1 0	Reserved			
1 1 1 1 1	Reserved			

Note:

1. The falling edge and both edges of signals applied to the $\overline{\text{INTi}}$ pin become the DMA request sources (i = 6 to 8). These request sources are not affected by external interrupts (the IFSR1 register and bits POL and LVS in the INTiIC register), and vice versa.

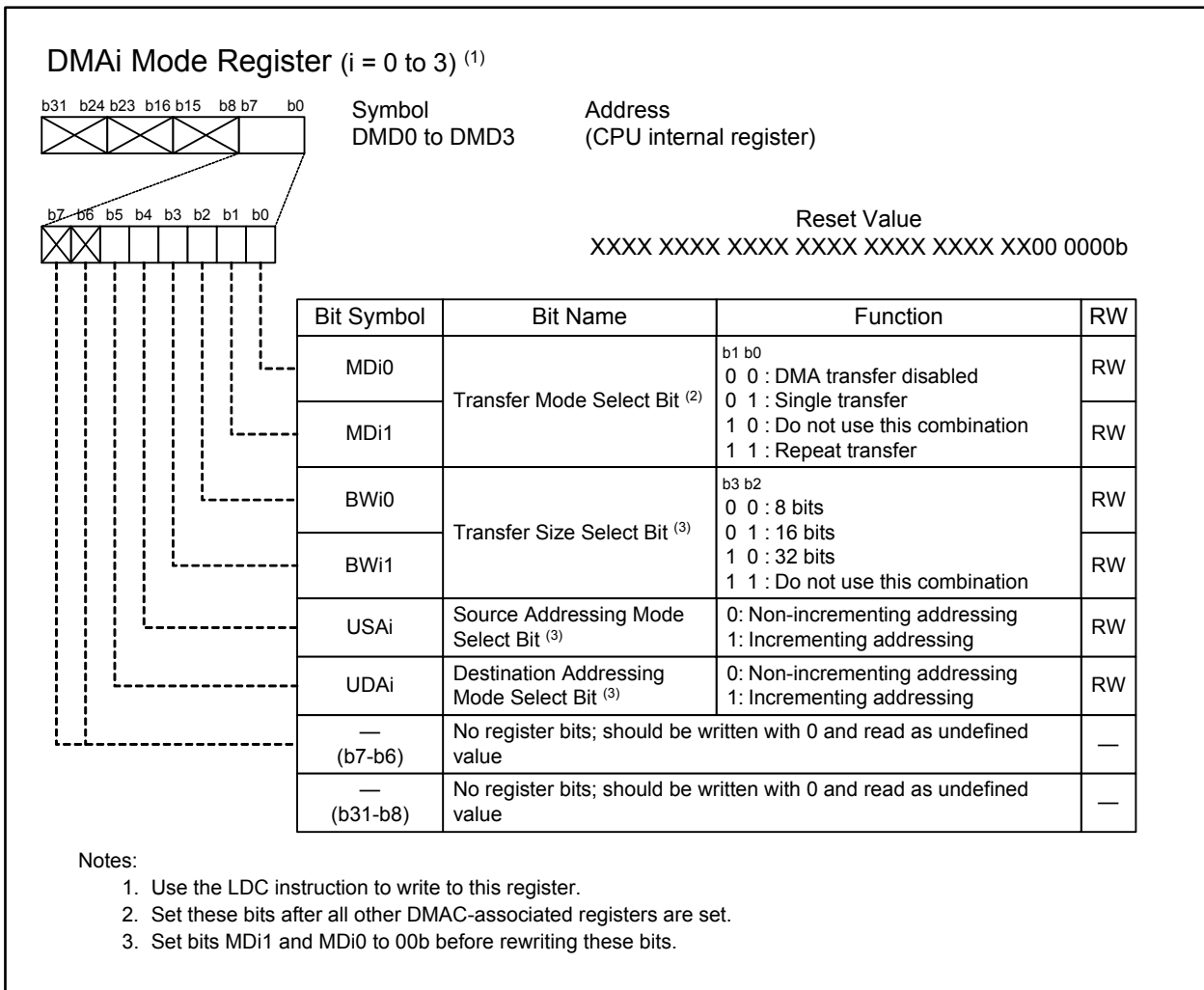


Figure 13.4 Registers DMD0 to DMD3

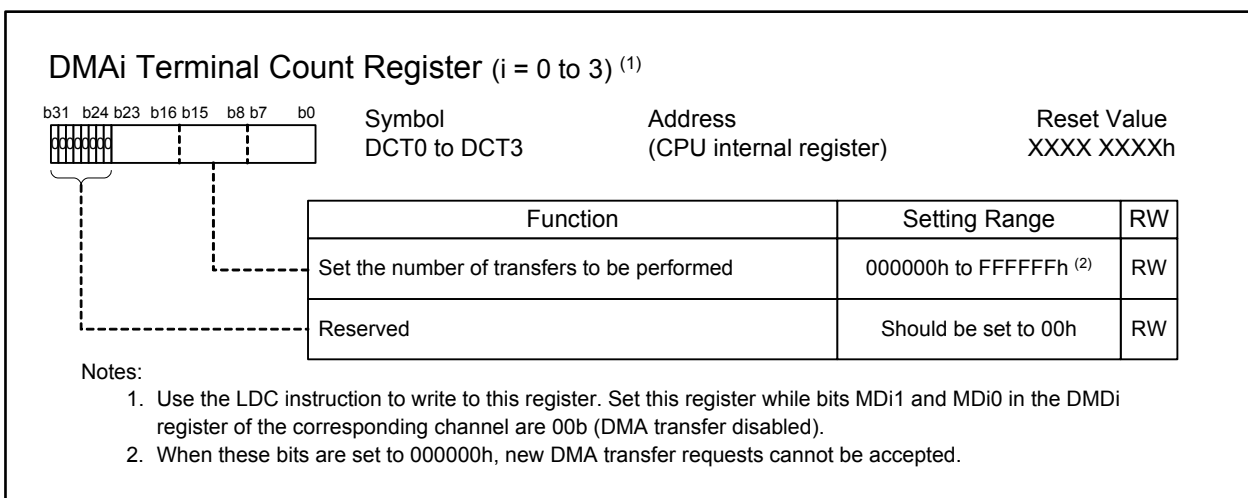


Figure 13.5 Registers DCT0 to DCT3

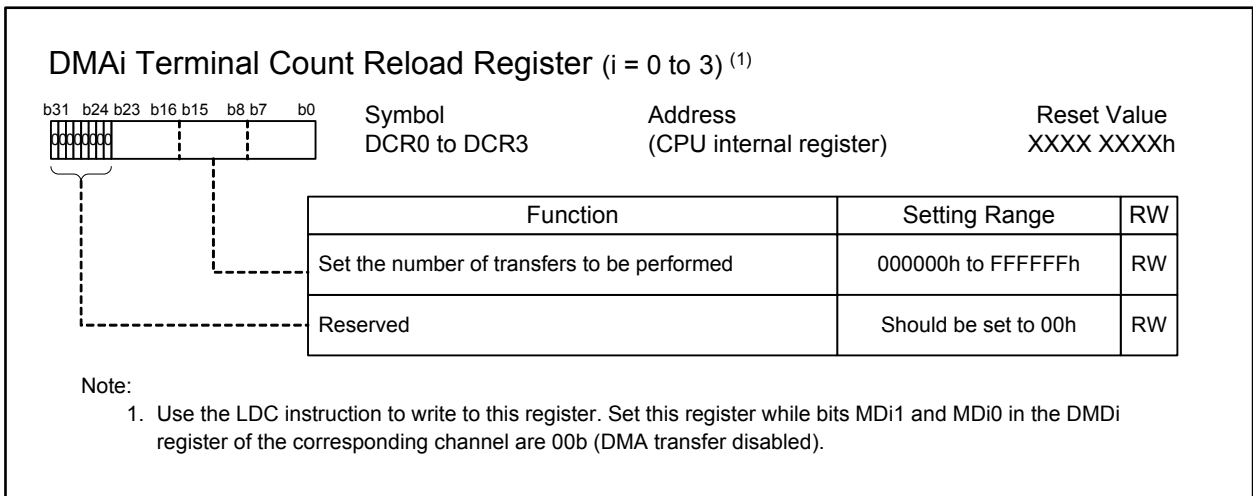


Figure 13.6 Registers DCR0 to DCR3

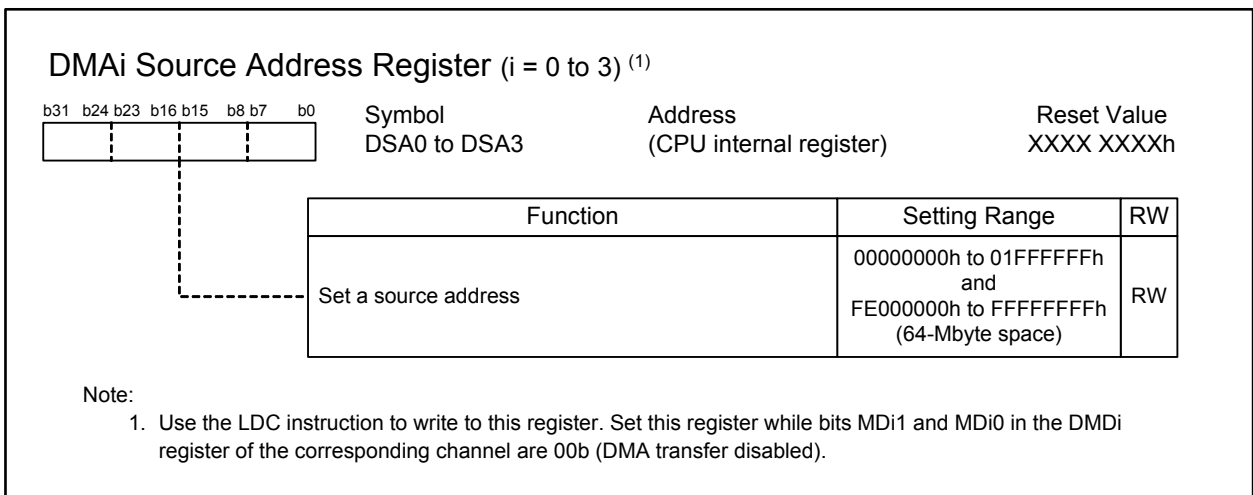
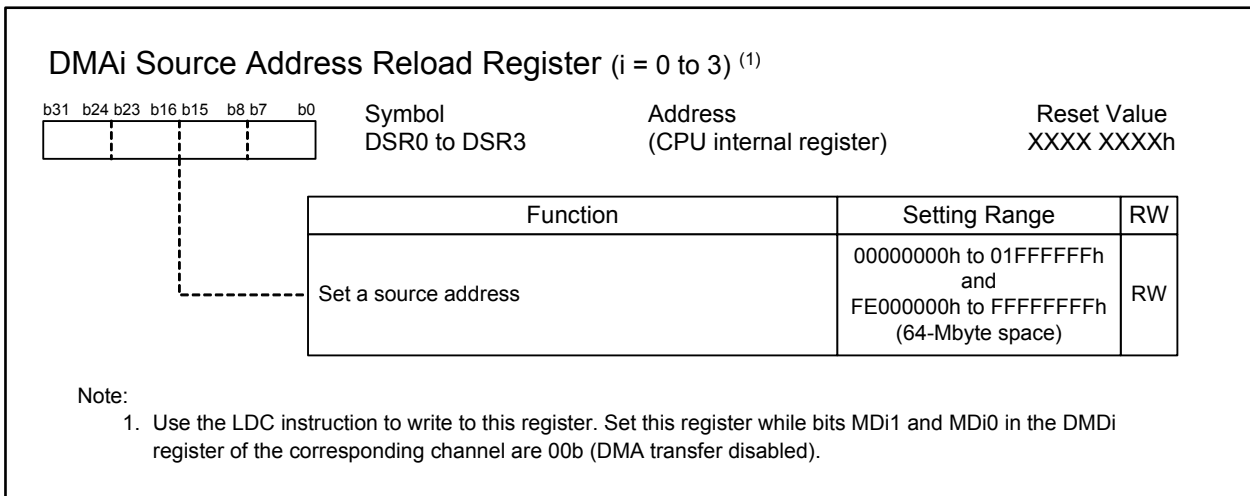
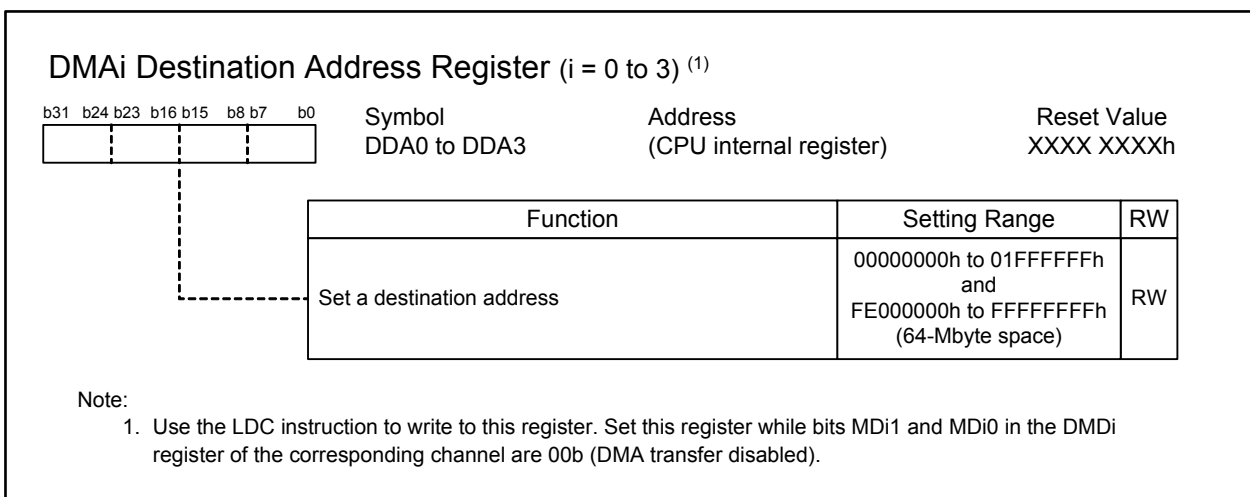
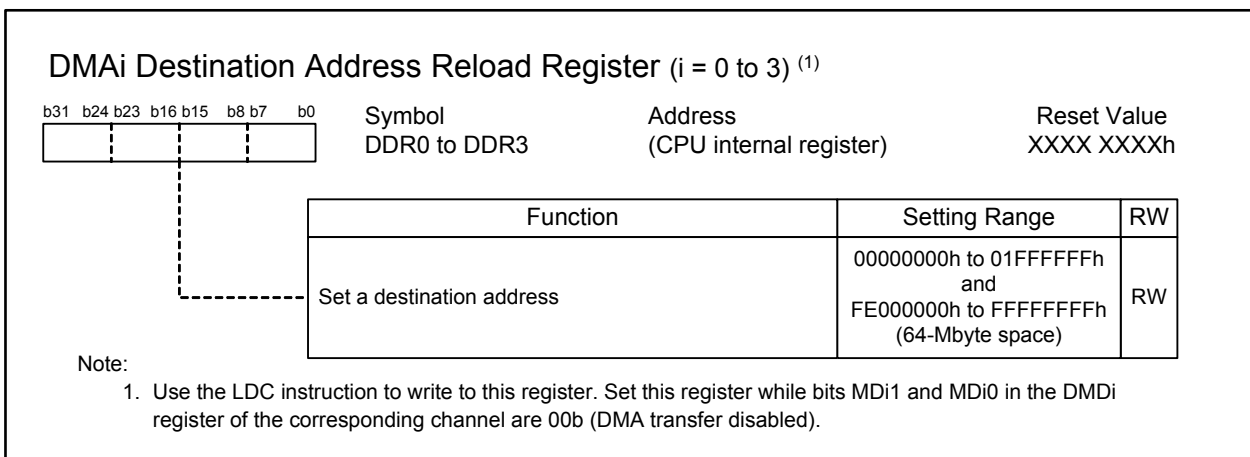


Figure 13.7 Registers DSA0 to DSA3

**Figure 13.8 Registers DSR0 to DSR3****Figure 13.9 Registers DDA0 to DDA3****Figure 13.10 Registers DDR0 to DDR3**

13.1 Transfer Cycle

The transfer cycle is composed of bus cycles to read data from (source read) or to write data to (destination write) memory or an SFR.

The read and write bus cycles vary with the setting of registers DSA_i and DDA_i, the width and timing of the data bus connected to the relevant device ($i = 0$ to 3).

13.1.1 Effect of Transfer Address and Data Bus Width

Table 13.4 lists the incremental bus cycles caused by transfer address alignment or data bus width.

Table 13.4 Incremental Bus Cycles Caused by Transfer Address and Data Bus Width

Transfer Data Unit	Data Bus Width	Transfer Address	Bus Cycles to be Incremented	Bus Cycles Generated
8-bit transfer	8 to 64 bits	n	0	$[n]$
16-bit transfer	8 bits	n	+1	$[n] - [n + 1]$
		$2n$	0	$[2n]$
	16 bits	$2n + 1$	+1	$[2n + 1] - [2n + 2]$
		$4n$	0	$[4n]$
		$4n + 1$	0	$[4n + 1]$
		$4n + 2$	0	$[4n + 2]$
	32 bits	$4n + 3$	+1	$[4n + 3] - [4n + 4]$
		$8n$	0	$[8n]$
		$8n + 1$	0	$[8n + 1]$
	64 bits	$8n + 2$	0	$[8n + 2]$
		$8n + 3$	0	$[8n + 3]$
		$8n + 4$	0	$[8n + 4]$
		$8n + 5$	0	$[8n + 5]$
		$8n + 6$	0	$[8n + 6]$
		$8n + 7$	+1	$[8n + 7] - [8n + 8]$
		32-bit transfer	8 bits	n
16 bits	$4n$		+1	$[4n] - [4n + 2]$
	$4n + 1$		+2	$[4n + 1] - [4n + 2] - [4n + 4]$
	$4n + 2$		+1	$[4n + 2] - [4n + 4]$
	$4n + 3$		+2	$[4n + 3] - [4n + 4] - [4n + 6]$
32 bits	$4n$		0	$[4n]$
	$4n + 1$		+1	$[4n + 1] - [4n + 4]$
	$4n + 2$		+1	$[4n + 2] - [4n + 4]$
	$4n + 3$		+1	$[4n + 3] - [4n + 4]$
64 bits	$8n$		0	$[8n]$
	$8n + 1$		0	$[8n + 1]$
	$8n + 2$		0	$[8n + 2]$
	$8n + 3$		0	$[8n + 3]$
	$8n + 4$		0	$[8n + 4]$
	$8n + 5$		+1	$[8n + 5] - [8n + 8]$
	$8n + 6$		+1	$[8n + 6] - [8n + 8]$
	$8n + 7$	+1	$[8n + 7] - [8n + 8]$	

13.1.2 Effect of Bus Timing

In the R32C/100 Series, a separate bus is connected to each device. The bus width and bus timing vary with each device. Table 13.5 lists the bus width and access cycles for each device.

Table 13.5 Bus Width and Bus Cycles

Device	Addresses (1)	Bus Width	Access Cycles (2)	Reference Clock
Flash memory	FEE00000h to FFFFFFFFh	64-bit	2 or 3 (3)	CPU clock
Data flash	00060000h to 00061FFFh	64-bit	5	CPU clock
RAM	00000400h to 0003FFFFh	64-bit	1 or 2 (4)	CPU clock
SFR space	00000000h to 0000001Fh	16-bit	3 (5)	Peripheral bus clock
	00000020h to 000003FFh	16-bit	2 (5)	Peripheral bus clock
SFR2 space	00040000h to 00041FFFh	16-bit	2 (5)	Peripheral bus clock
	00042000h to 00043FFFh	32-bit	2 (5)	Peripheral bus clock
	00044000h to 000440DFh	16-bit	2 (5, 6)	Peripheral bus clock
	000440E0h to 000443FFh	16-bit	3 (5, 6)	Peripheral bus clock
	00044400h to 00045FFFh	16-bit	2 (5, 6)	Peripheral bus clock
	00046000h to 000467FFh	32-bit	3 (5, 6)	Peripheral bus clock
	00046800h to 00047FFFh	32-bit	2 (5, 6)	Peripheral bus clock
	00048000h to 0004FFFFh	64-bit	2	CPU clock
External bus	00080000h to 01FFFFFFh FE000000h to FFDFFFFFFh	8-/16-/32-bit	Specified by the EBCn register (n = 0 to 3) (5)	Peripheral bus clock

Notes:

1. Reserved spaces are included.
2. Access cycles are based on each bus clock.
3. An access to the same page as the previous time requires two cycles. Otherwise, three cycles are required.
4. If write cycles are generated sequentially, each write cycle except the initial one has two access cycles. A read cycle just after a write cycle has also two access cycles.
5. If SFRs are sequentially accessed, each access except the initial one has one additional base clock cycle.
6. Up to one access cycle may be added depending on the phase of peripheral bus clock.

Figure 13.11 shows an example of source-read bus cycles in a transfer cycle. In this figure, the number of source-read bus cycles is shown under different conditions, provided that the destination address is in an internal RAM with one bus cycle of destination-write. In a real operation, the transfer cycles change according to conditions for destination-write bus cycles as well as for source-read bus cycles. To calculate a transfer cycle, respective conditions should be applied to both destination-write bus cycle and source-read bus cycle. In (B) of Figure 13.11, for example, if two bus cycles are generated, bus cycles required for the destination-write is two as well as for the source-read.

13.1.3 Effect of $\overline{\text{RDY}}$ Signal

In memory expansion mode or microprocessor mode, the $\overline{\text{RDY}}$ signal affects a bus cycle in an external space. Refer to 9.3.7 “RDY Signal” for details.

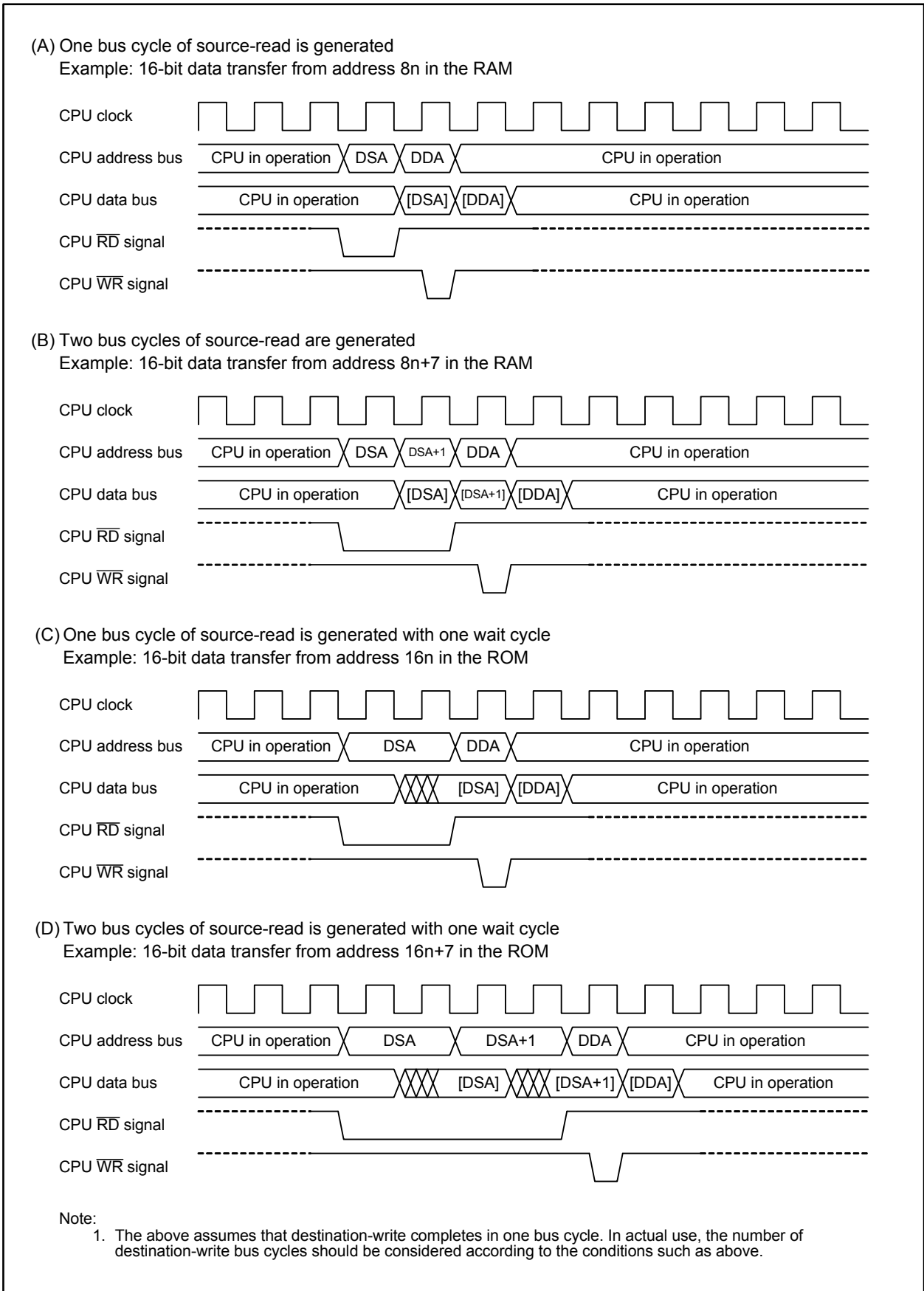


Figure 13.11 Source-read Bus Cycles in a Transfer Cycle

13.2 DMA Transfer Cycle

The DMA transfer cycles are calculated as follows:

$$\text{Number of transfer cycles} = \text{Source-read bus cycles} \times j + \text{Destination-write bus cycles} \times k + 1$$

where:

j = access cycles for read

k = access cycles for write (refer to Table 13.5)

Each bus cycle, source-read and destination-write, requires at least one cycle. In addition, more cycles may be required depending on the transfer address. Refer to Table 13.4 for details on the required bus cycles.

“+1” in the formula above means a cycle required to decrement the value of DCT_i register ($i = 0$ to 3).

The following are calculation examples:

To transfer 32-bit data from address 400h in the RAM to address 800h in the RAM,

$$\begin{aligned} \text{Number of the transfer cycles} &= 1 \times 1 + 1 \times 1 + 1 \\ &= 3 \end{aligned}$$

Thus, there are three cycles.

To transfer 16-bit data from the AD00 register at address 380h to registers P1 and P0 at addresses 3C1h and 3C0h, respectively, when the peripheral bus clock frequency is half the CPU clock,

$$\begin{aligned} \text{Number of the transfer cycles} &= 1 \times 2 \times 2 + 1 \times 2 \times 2 + 1 \\ &= 9 \end{aligned}$$

Thus, there are nine cycles.

13.3 Channel Priority and DMA Transfer Timing

When multiple DMA transfer requests are generated in the same sampling period, between the falling edge of the CPU clock and the next falling edge, these requests are simultaneously input into the DMAC. Channel priority in this case is: DMA0 > DMA1 > DMA2 > DMA3.

Figure 13.12 shows an example of the DMA transfer by external source, specifically when DMA0 and DMA1 requests are simultaneously generated. The DMA0, whose request priority is higher than that of DMA1, is received first to start the transfer and then hands over the bus to the CPU after completing one DMA0 transfer. Once the CPU completes one bus access, the DMA1 transfer starts. The CPU takes the bus back from the DMA1 after one DMA1 transfer is completed.

DMA transfer requests cannot be counted. Only a single transfer is performed even when an $\overline{\text{INT}}_i$ interrupt occurs more than once before the bus is granted, as shown by DMA1 in Figure 13.12.

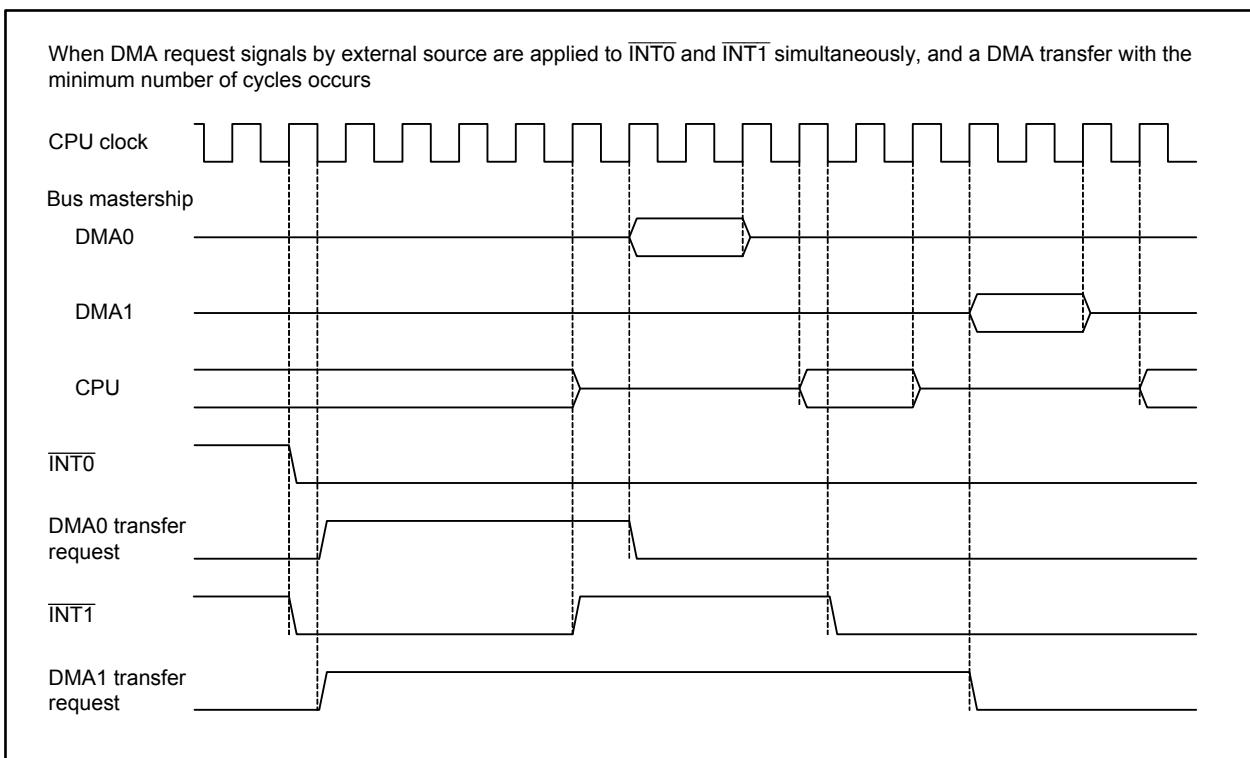


Figure 13.12 DMA Transfer by External Source

13.4 Notes on DMAC

13.4.1 DMAC-associated Register Settings

- Set DMAC-associated registers while bits MDi1 and MDi0 in the DMDi register are 00b (DMA transfer disabled) (i = 0 to 3). Then, set bits MDi1 and MDi0 to 01b (single transfer) or 11b (repeat transfer) at the end of the setup procedure. This procedure also applies when rewriting bits UDAi, USAi, and BWi1 and BWi0 in the DMDi register.
- When rewriting the DMAC-associated registers while DMA transfer is enabled, stop the peripherals that can be DMA triggers so that no DMA transfer request is generated, then set bits MDi1 and MDi0 in the DMDi register of the corresponding channel to 00b (DMA transfer disabled).
- Once a DMA transfer request is accepted, DMA transfer cannot be disabled even if setting bits MDi1 and MDi0 in the DMDi register to 00b (DMA transfer disabled). Do not change the settings of any DMAC-associated registers other than bits MDi1 and MDi0 until the DMA transfer is completed.
- After setting registers DMiSL and DMiSL2, wait at least six peripheral bus clocks to set bits MDi1 and MDi0 in the DMDi register to 01b (single transfer) or 11b (repeat transfer).

13.4.2 Reading DMAC-associated Registers

- Use the following read order to sequentially read registers DMiSL and DMiSL2:
DM0SL, DM1SL, DM2SL, and DM3SL
DM0SL2, DM1SL2, DM2SL2, and DM3SL2

14. DMAC II

DMAC II starts by an interrupt request from any peripheral and performs data transfer without a CPU instruction. Transfer sources are selectable from memory, immediate data, memory + memory, and immediate data + memory.

Table 14.1 lists specifications of DMAC II.

Table 14.1 DMAC II Specifications

Item	Specification
DMAC II request sources	Interrupt requests from the peripherals of which bits ILVL2 to ILVL0 in the corresponding interrupt control register are set to 111b (level 7)
Transfer types	<ul style="list-style-type: none"> • Data in memory is transferred to memory (memory-to-memory transfer) • Immediate data is transferred to memory (immediate data transfer) • Data in memory + data in memory are transferred to memory (calculation result transfer) • Immediate data + data in memory are transferred to memory (calculation result transfer)
Transfer sizes	8 bits or 16 bits
Transfer memory spaces	From a given address in a 64-Mbyte space (00000000h to 01FFFFFFh and FE000000h to FFFFFFFFh) to another given address in the same space ⁽¹⁾
Addressing modes	Individually selectable for each source address and destination address from the following two modes: <ul style="list-style-type: none"> • Non-incrementing addressing: Address is held constant throughout a data transfer/DMAC II transaction • Incrementing addressing: Address increments by 1 (when 8-bit data is transferred) or 2 (when 16-bit data is transferred) after each data transfer
Transfer modes	<ul style="list-style-type: none"> • Single transfer: Only one data transfer is performed by one transfer request • Burst transfer: Data transfers are continuously performed for the number of times set in the transfer counter by one transfer request • Multiple transfer: Multiple memory-to-memory transfers are performed from different source addresses to different destination addresses by one transfer request
Chain transfer	Data transfer is sequentially performed by switching among multiple DMAC II indexes (transfer information)
DMA II transfer complete interrupt request	An interrupt request is generated when the transfer counter reaches 0000h

Note:

1. When the transfer size is 16 bits and the destination address is FFFFFFFFh, data is transferred to FFFFFFFFh and 00000000h. This also applies when the source address is FFFFFFFFh.

14.1 DMAC II Settings

To use DMAC II, set the following:

- Registers RIPL1 and RIPL2
- DMAC II index
- Interrupt control registers of the peripherals that trigger DMAC II
- Relocatable vectors of the peripherals that trigger DMAC II
- The IRLT bit in the IIOiE register when using the intelligent I/O interrupt (i = 0 to 11). Refer to 11. "Interrupts" for details on the IIOiE register.

14.1.1 Registers RIPL1 and RIPL2

When the DMAII bit in registers RIPL1 and RIPL2 is set to 1 (DMA II transfer selected) and the FSIT bit is set to 0 (normal interrupt selected), DMAC II starts by an interrupt request from any peripheral whose bits ILVL2 to ILVL0 in the corresponding interrupt control register are set to 111b (level 7).

Figure 14.1 shows registers RIPL1 and RIPL2.

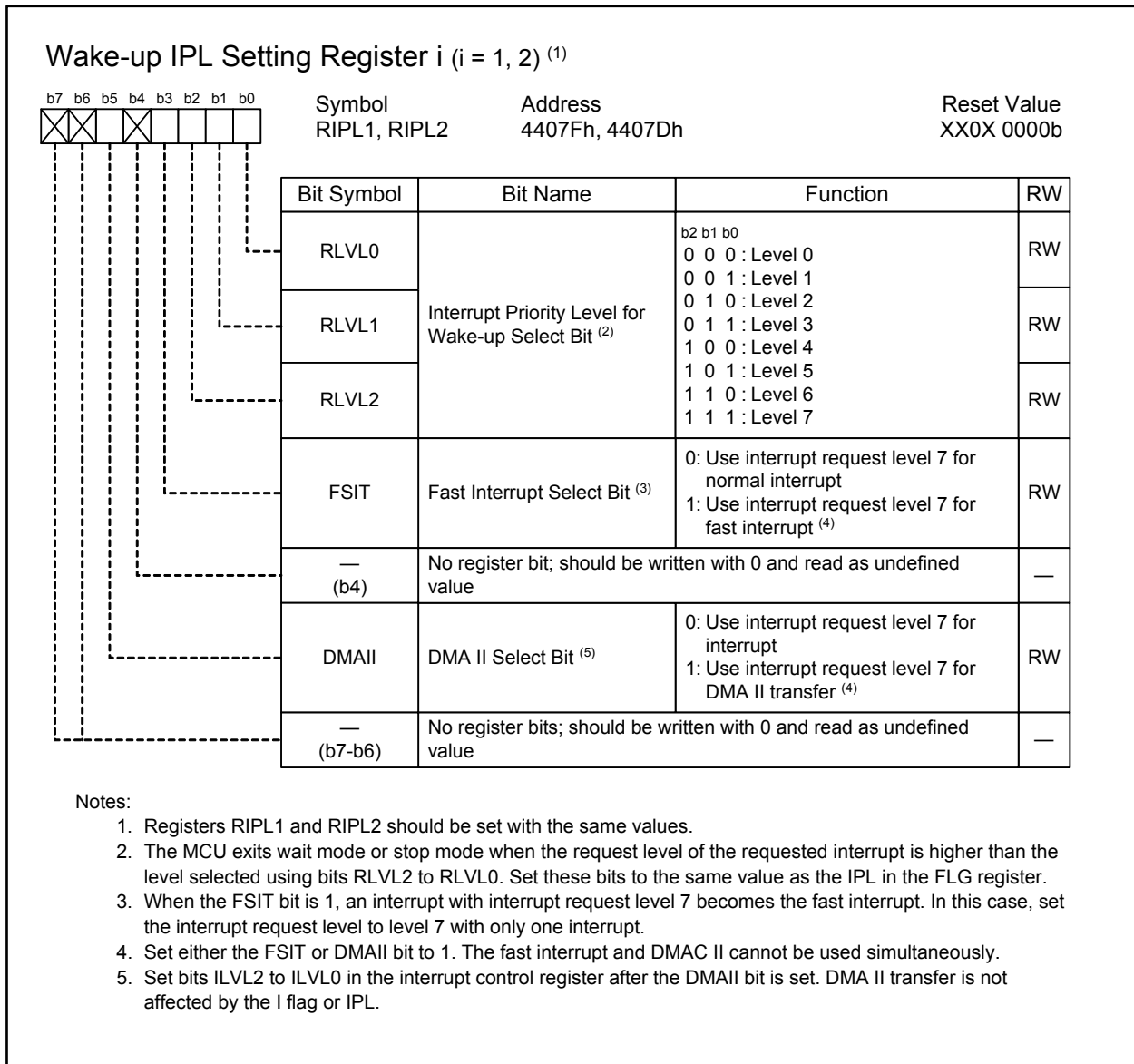


Figure 14.1 Registers RIPL1 and RIPL2

14.1.2 DMAC II Index

The DMAC II index is a data table of 12 to 60 bytes. It stores parameters for transfer mode, transfer counter, source address (or immediate data), operation address as an address to be calculated, destination address, chain transfer base address, and jump address for the DMA II transfer complete interrupt handler.

This DMAC II index should be allocated on the RAM.

Figure 14.2 shows a configuration of the DMAC II index and Table 14.2 lists a configuration example of the DMAC II index.

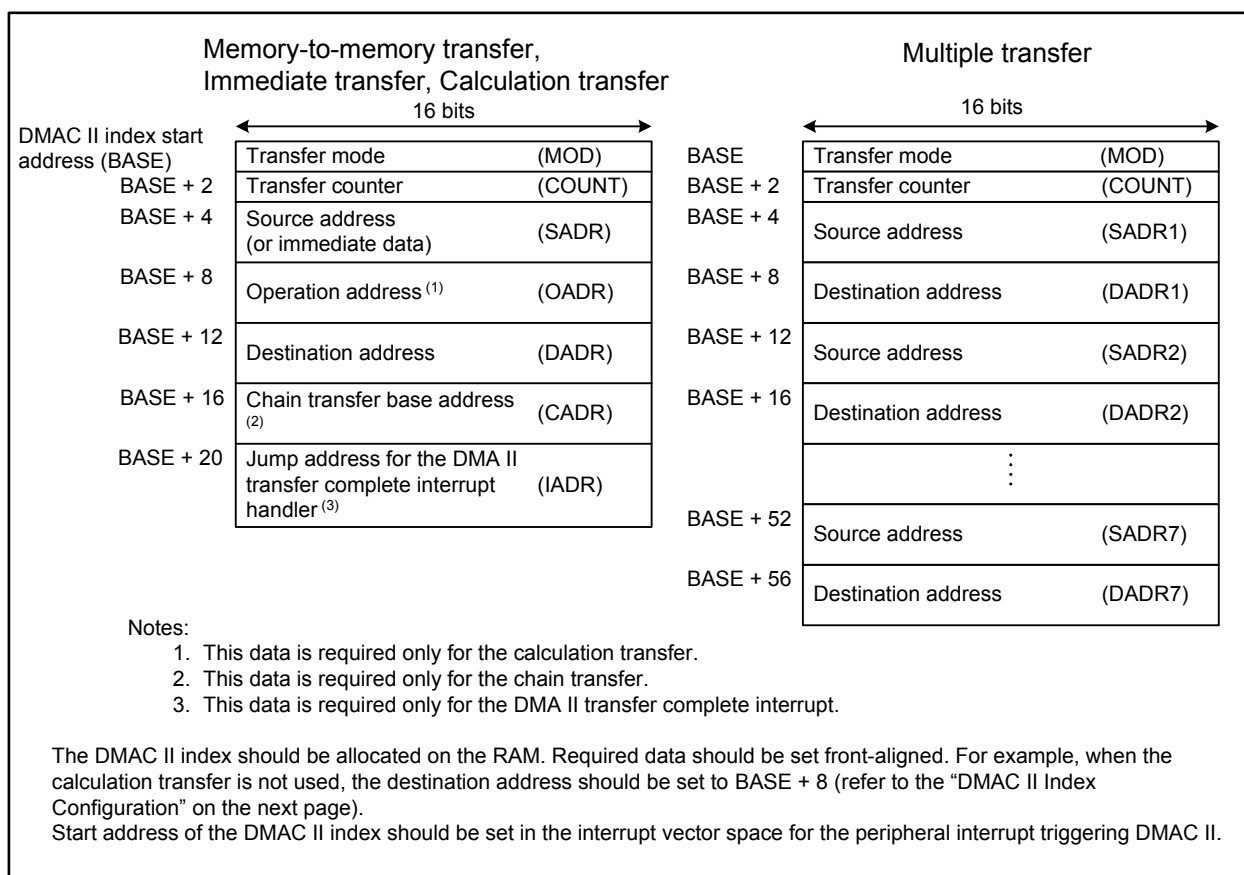


Figure 14.2 DMAC II Index

The following are the details on the DMAC II index. These parameters should be aligned in the order listed in Table 14.2 according to the transfer mode to be used.

- Transfer mode (MOD)
Set a transfer mode in 2 bytes. Refer to Figure 14.3 for details on the setting of MOD.
- Transfer counter (COUNT)
Set a number of transfers in 2 bytes.
- Source address (SADR)
Set a source address or immediate data in 4 bytes. Note that the two upper bytes of immediate data are ignored.
- Operation address (OADR)
Set an address in a to-be calculated memory in 4 bytes. This data setting is required only for the calculation transfer.
- Destination address (DADR)
Set a destination address in 4 bytes.
- Chain transfer base address (CADR)
Set the start address of the DMAC II index for the next transfer (BASE) in 4 bytes. This data setting is required only for the chain transfer.
- Jump address for the DMA II transfer complete interrupt handler (IADR)
Set the start address for the DMA II transfer complete interrupt handler in 4 bytes. This data setting is required only for the DMA II transfer complete interrupt.

The symbols above are hereinafter used in place of their respective parameters.

Table 14.2 DMAC II Index Configuration

Transfer Data	Memory-to-memory Transfer/ Immediate Data Transfer				Calculation Transfer				Multiple Transfer	
	Not used	Used	Not used	Used	Not used	Used	Not used	Used		
Chain transfer	Not used	Used	Not used	Used	Not used	Used	Not used	Used	Not available	
DMA II transfer complete interrupt	Not used	Not used	Used	Used	Not used	Not used	Used	Used	Not available	
DMAC II index	MOD	MOD	MOD	MOD	MOD	MOD	MOD	MOD	MOD	
	COUNT	COUNT	COUNT	COUNT	COUNT	COUNT	COUNT	COUNT	COUNT	
	SADR	SADR	SADR	SADR	SADR	SADR	SADR	SADR	SADR1	
	DADR	DADR	DADR	DADR	OADR	OADR	OADR	OADR	DADR1	
	12 bytes	CADR	IADR	CADR	IADR	DADR	DADR	DADR	DADR	SADRi
	24 bytes	IADR	IADR	IADR	DADRi					
						i = 1 to 7 max. 60 bytes (when i = 7)				

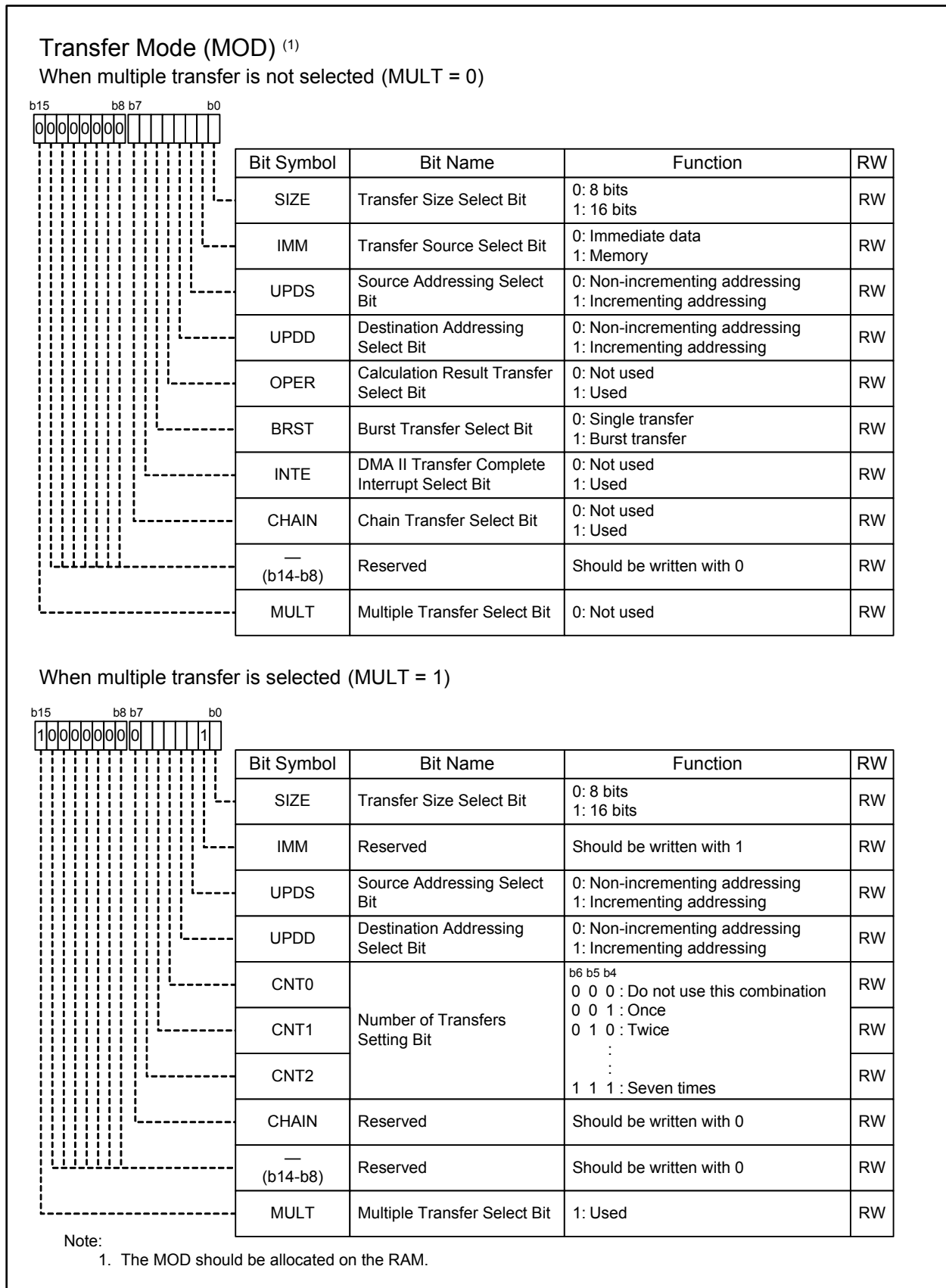


Figure 14.3 MOD

14.1.3 Interrupt Control Register of the Peripherals

Set bits ILVL2 to ILVL0 in the interrupt control register for the peripheral interrupt triggering DMAC II to 111b (level 7).

14.1.4 Relocatable Vector Table of the Peripherals

Set the start address of the DMAC II index in the interrupt vector space for the peripheral interrupt triggering DMAC II.

To use the chain transfer, allocate the relocatable vector table on the RAM.

14.1.5 IRLT Bit in the IIOiE Register (i = 0 to 11)

To use the intelligent I/O interrupt as a trigger for DMAC II, set the IRLT bit in the corresponding IIOiE register to 0 (interrupt request for DMA or DMA II used).

14.2 DMAC II Operation

Set the DMAII bit in registers RIPL1 and RIPL2 to 1 (interrupt request level 7 used for DMA II transfer) to perform a DMA II transfer. DMAC II starts by an interrupt request from any peripheral whose bits ILVL2 to ILVL0 in the corresponding interrupt control register are set to 111b (level 7). These peripheral interrupt requests are available only for DMA II transfer and cannot be used for the CPU.

When an interrupt request is generated with interrupt request level 7, DMAC II starts irrespective of the state of the I flag or IPL.

When a peripheral interrupt request triggering DMAC II and a higher-priority request such as the watchdog timer interrupt, low voltage detection interrupt, oscillator stop detection interrupt, or NMI are simultaneously generated, the higher-priority interrupt is accepted prior to the DMA II transfer, and the DMA II transfer starts after the higher-priority interrupt sequence.

14.3 Transfer Types

DMAC II transfers three types of 8-bit or 16-bit data as follows:

- Memory-to-memory transfer: Data is transferred from a given memory location in a 64-Mbyte space (addresses 00000000h to 01FFFFFFh and FE000000h to FFFFFFFFh) to another given memory location in the same space.
- Immediate data transfer: Immediate data is transferred to a given memory location in a 64-Mbyte space.
- Calculation transfer: Two data are added together and the result is transferred to a given memory location in a 64-Kbyte space.

When 16-bit data is transferred to DADR at FFFFFFFFh, it is transferred to 00000000h as well as FFFFFFFFh. The same transfer is performed when SADR is FFFFFFFFh.

14.3.1 Memory-to-memory Transfer

Data transfer between any two memory locations can be:

- A transfer from a fixed address to another fixed address
- A transfer from a fixed address to an address range in memory
- A transfer from an address range in memory to a fixed address
- A transfer from an address range in memory to another address range in memory

When increment addressing mode is selected, SADR and DADR increment by 1 in an 8-bit transfer and by 2 in a 16-bit transfer after a data transfer for the next transfer. When SADR or DADR exceeds FFFFFFFFh by the incrementation, it returns to 00000000h. Likewise, when SADR or DADR exceeds 01FFFFFFh, it becomes 02000000h, but an actual transfer is performed for FE000000h.

14.3.2 Immediate Data Transfer

DMAC II transfers immediate data to a given memory location. Either incrementing or non-incrementing addressing mode can be selected for the destination address. Store the immediate data to be transferred into SADR. To transfer 8-bit immediate data, set the data to the lower 1 byte of SADR. The upper 3 bytes are ignored. To transfer 16-bit immediate data, set the data to the lower 2 bytes. The upper 2 bytes are ignored.

14.3.3 Calculation Result Transfer

After two memory data or immediate data and memory data are added together, DMAC II transfers the calculated result to a given memory location. Set an address to be calculated or immediate data to SADR and set the other address to be calculated to OADR. Either incrementing or non-incrementing addressing mode can be selected for source and destination addresses when performing data in memory + data in memory calculation transfer. If the source addressing is in incrementing mode, the operation addressing is also in incrementing mode. When performing immediate data + data in memory calculation transfer, the addressing mode is selectable only for the destination address.

14.4 Transfer Modes

DMAC II provides three types of basic transfer mode: single transfer, burst transfer, and multiple transfer. COUNT determines the number of transfers to be performed. Transfers are not performed when COUNT is 0000h.

14.4.1 Single Transfer

Set the BRST bit in the MOD to 0.

A single data transfer is performed by one transfer request.

When incrementing addressing mode is selected for the source and/or destination address, the address or addresses increment after a data transfer for the next transfer.

COUNT is decremented each time a data transfer is performed. When COUNT reaches 0000h, the DMA II transfer complete interrupt request is generated if the INTE bit in the MOD is 1 (DMA II transfer complete interrupt used).

14.4.2 Burst Transfer

Set the BRST bit in the MOD to 1.

DMAC II continuously transfers data for the number of times determined by COUNT with one transfer request. COUNT decrements each time a data transfer is performed. When COUNT reaches 0000h, the burst transfer is completed. The DMA II transfer complete interrupt request is generated if the INTE bit is 1 (DMA II transfer complete interrupt used).

No interrupts are accepted during a burst transfer.

14.4.3 Multiple Transfer

Set the MULT bit in the MOD to 1.

Multiple memory-to-memory transfers are performed from different source addresses to different destination addresses using one transfer request.

Set bits CNT2 to CNT0 in the MOD to select the number of transfers to be performed from 001b (once) to 111b (seven times). Do not set these bits to 000b.

Allocate the required number of SDARs and DADRs alternately following MOD and COUNT.

When the multiple transfer is selected, the following transfer functions are not available: calculation result transfer, burst transfer, chain transfer, and DMA II transfer complete interrupt.

14.5 Chain Transfer

The chain transfer is available when the CHAIN bit in the MOD is 1.

The chain transfer is performed as follows:

- (1) When a transfer request is generated, a data transfer is performed according to the DMAC II index specified by the corresponding interrupt vector. Either a single transfer (the BRST bit in the MOD is 0) or burst transfer (the BRST bit is 1) is performed according to the BRST bit setting.
- (2) When COUNT reaches 0000h, the value in the interrupt vector in (1) above is overwritten with the value in CADR. Simultaneously, the DMA II transfer complete interrupt request is generated when the INTE bit in the MOD is 1.
- (3) When the next DMA II transfer request is generated, the data transfer is performed according to the DMAC II index specified by the peripheral interrupt vector in (2) above.

Figure 14.4 shows the relocatable vector and DMAC II index in a chain transfer.

To use the chain transfer, the relocatable vector table should be allocated on the RAM.

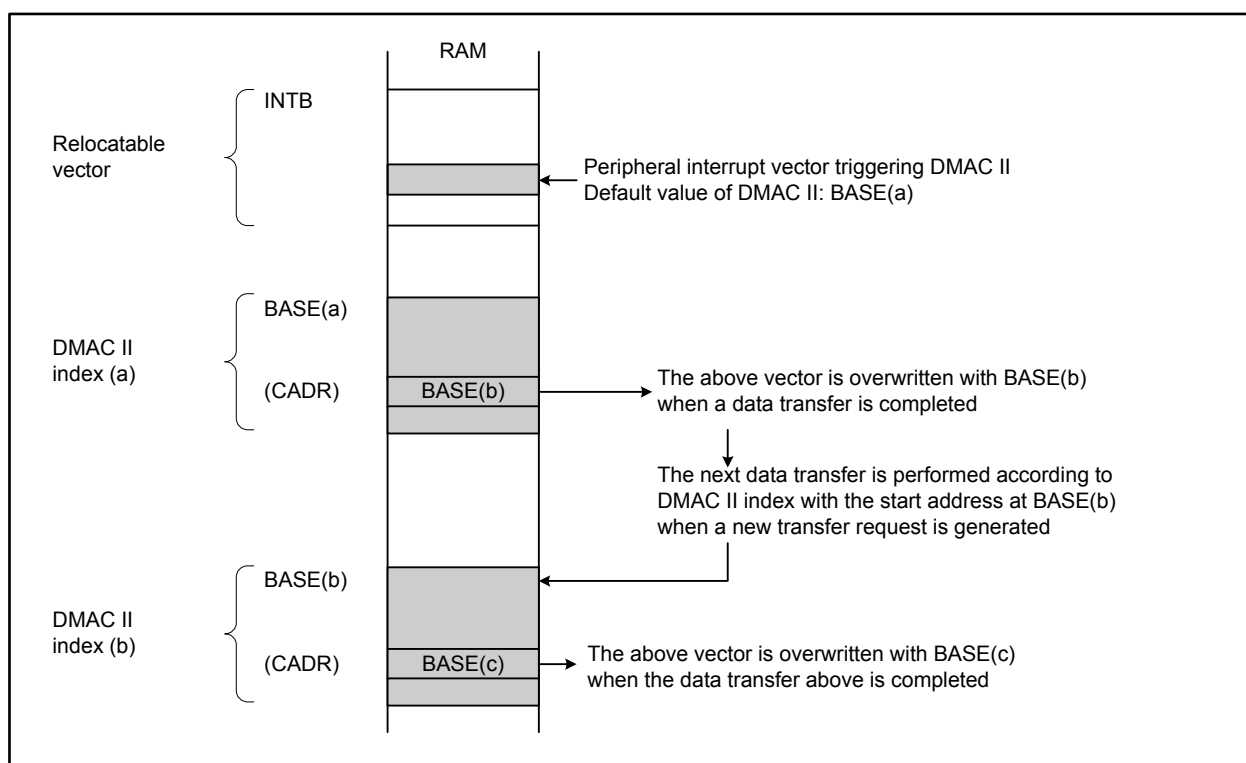


Figure 14.4 Relocatable Vector and DMAC II Index in a Chain Transfer

14.6 DMA II Transfer Complete Interrupt

The DMA II transfer complete interrupt is available when the INTE bit in the MOD is 1.

Set the start address of the DMA II transfer complete interrupt handler to IADR. The interrupt request is generated when COUNT reaches 0000h.

The initial instruction of the interrupt handler is executed in the eighth cycle after a DMA II transfer is completed.

14.7 Execution Time

The DMAC II execution cycle is calculated by the following equations:

Mode other than multiple transfer: $t = 6 + (26 + a + b + c + d) \times m + (4 + e) \times n$ cycles

When using multiple transfer: $t = 21 + (11 + b + c) \times k$ cycles

- a: When IMM is 0 (transfer source is immediate data), a is 0;
When IMM is 1 (transfer source is memory), a is -1
- b: When UPDS is 1 (source addressing is incrementing), b is 0;
When UPDS is 0 (source addressing is non-incrementing), b is 1
- c: When UPDD is 1 (destination addressing is incrementing), c is 0;
When UPDD is 0 (destination addressing is non-incrementing), c is 1
- d: When OPER is 0 (calculation transfer is not selected), d is 0;
When OPER is 1 (calculation transfer is selected) and UPDS is 0 (source addressing is immediate data or non-incrementing), d is 7;
When OPER is 1 (calculation transfer is selected) and UPDS is 1 (source addressing is incrementing), d is 8
- e: When CHAIN is 0 (chain transfer is not selected), e is 0;
When CHAIN is 1 (chain transfer is selected), e is 4
- m: When BRST is 0 (single transfer), m is 1;
When BRST is 1 (burst transfer), m is COUNT
- n: When COUNT is 0001h, n is 0; if COUNT is 0002h or more, n is 1
- k: The number of transfers set using bits CNT2 to CNT0

The equations above are estimations. The number of cycles may vary depending on CPU state, bus wait state, and DMAC II index allocation.

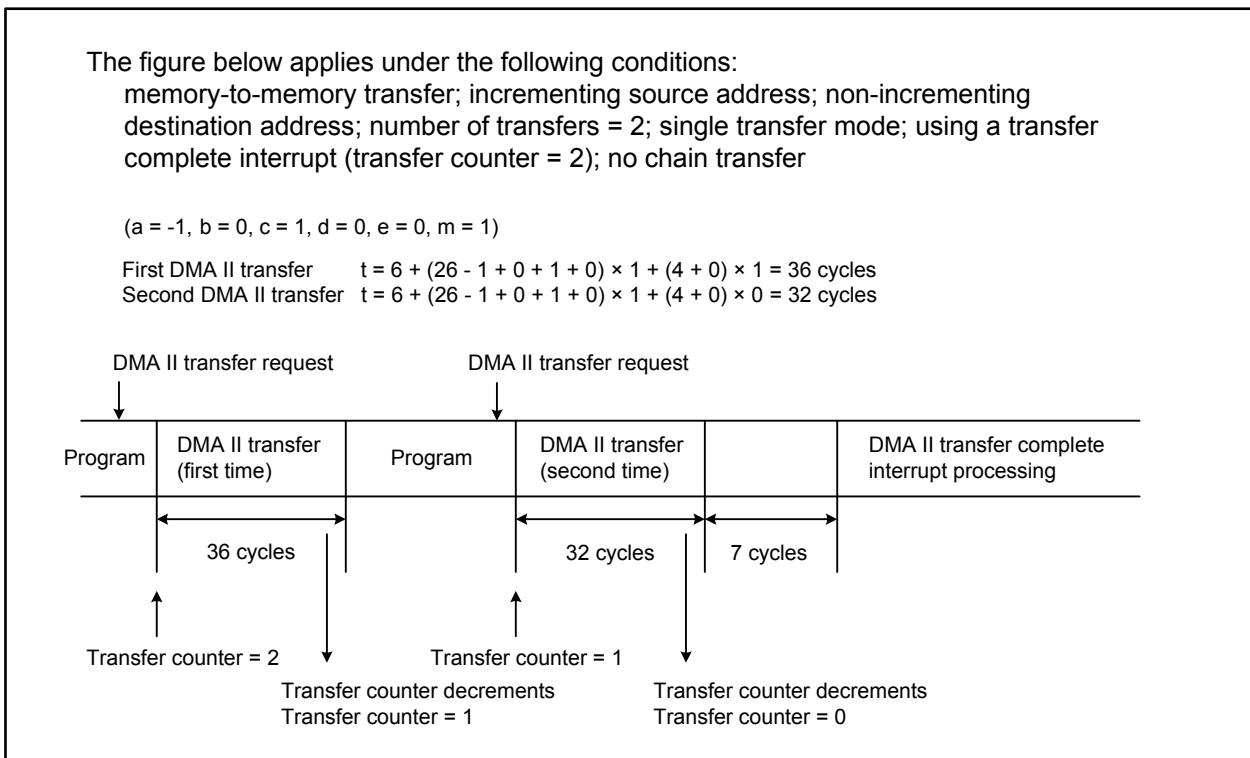


Figure 14.5 Transfer Cycles

15. Programmable I/O Ports

The programmable I/O ports in each pin package are designated as follows:

100-pin package: 84 ports from P0 to P10 (excluding P8_5 and P9_0 to P9_2)

144-pin package: 120 ports from P0 to P15 (excluding P8_5, and P14_0 to P14_2)

Each port status, input or output, can be selected using the direction register except P8_5 and P9_1/P14_1 which are input only. The P8_5 bit in the P8 register indicates an NMI input level since the P8_5 shares a pin with the NMI.

Figure 15.1 shows a configuration of programmable I/O ports, and Figures 15.2 to 15.4 show a configuration of each input-only port.

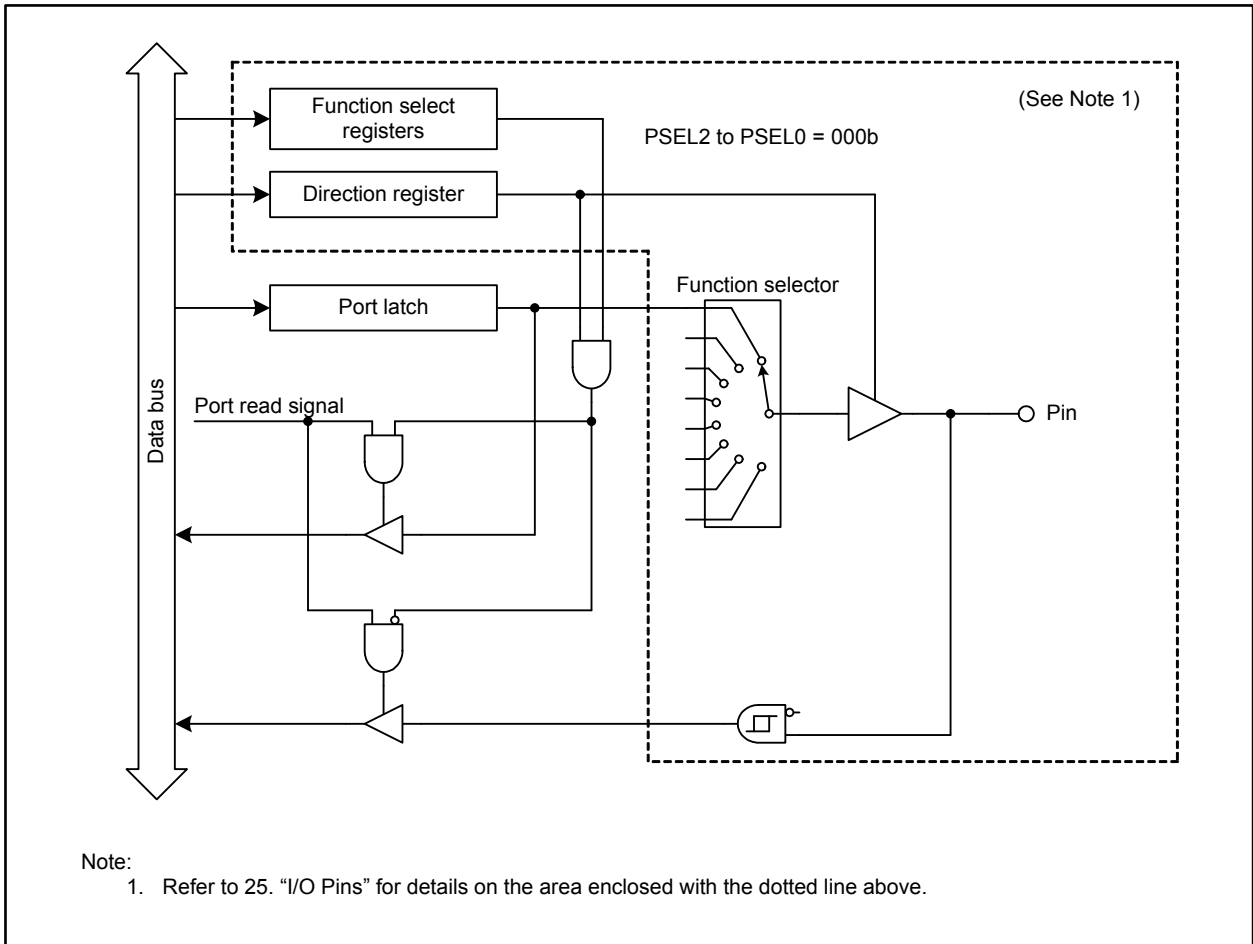


Figure 15.1 Programmable I/O Port Configuration

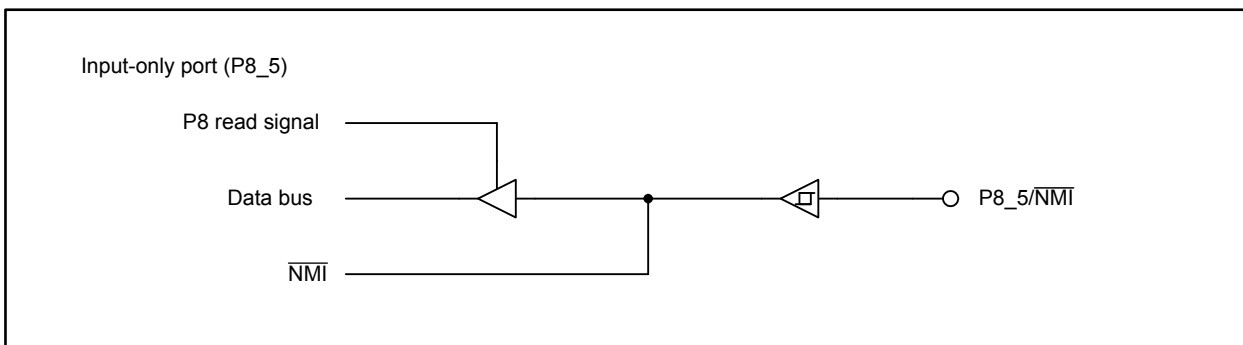


Figure 15.2 Input-only Port Configuration (1/3)

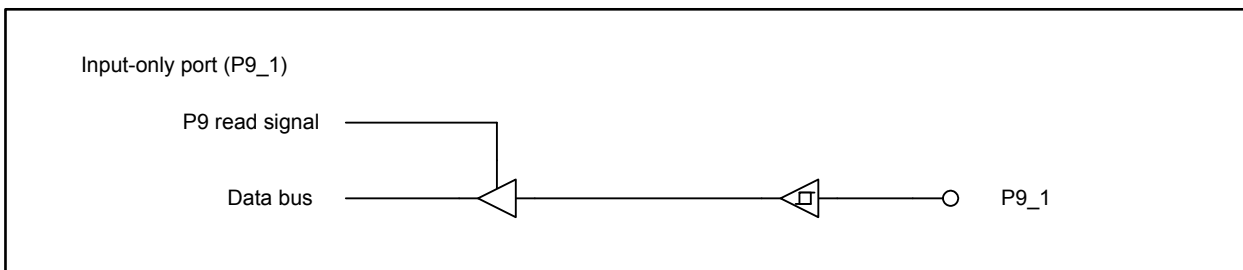


Figure 15.3 Input-only Port Configuration (2/3) (in the 100-pin package only)

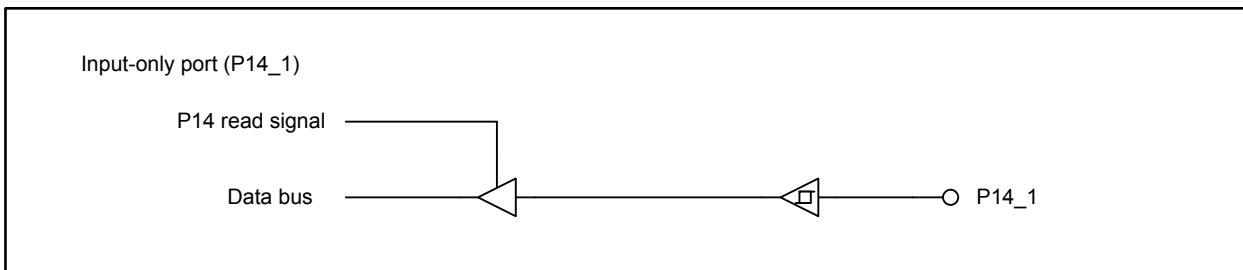


Figure 15.4 Input-only Port Configuration (3/3) (in the 144-pin package only)

15.1 Port Pi Register (Pi register, i = 0 to 15)

A write/read operation to the Pi register is required to communicate with external devices. This register consists of a port latch to hold output data and a circuit to read pin states. Bits in the Pi register correspond to respective ports.

When a programmable I/O port is selected in the output function select registers, the value in the port latch is read for output and the pin state is read for input.

In memory expansion mode and microprocessor mode, this register cannot control pins being assigned bus control signals (A0 to A23, D0 to D31, $\overline{CS0}$ to $\overline{CS3}$, $\overline{WR}/\overline{WR0}$, $\overline{BC0}$, $\overline{BC1}/\overline{WR1}$, $\overline{BC2}/\overline{WR2}$, $\overline{BC3}/\overline{WR3}$, \overline{RD} , $\overline{CLKOUT}/\overline{BCLK}$, \overline{HLDA} , \overline{HOLD} , \overline{ALE} , and \overline{RDY}).

Figure 15.5 shows the Pi register.

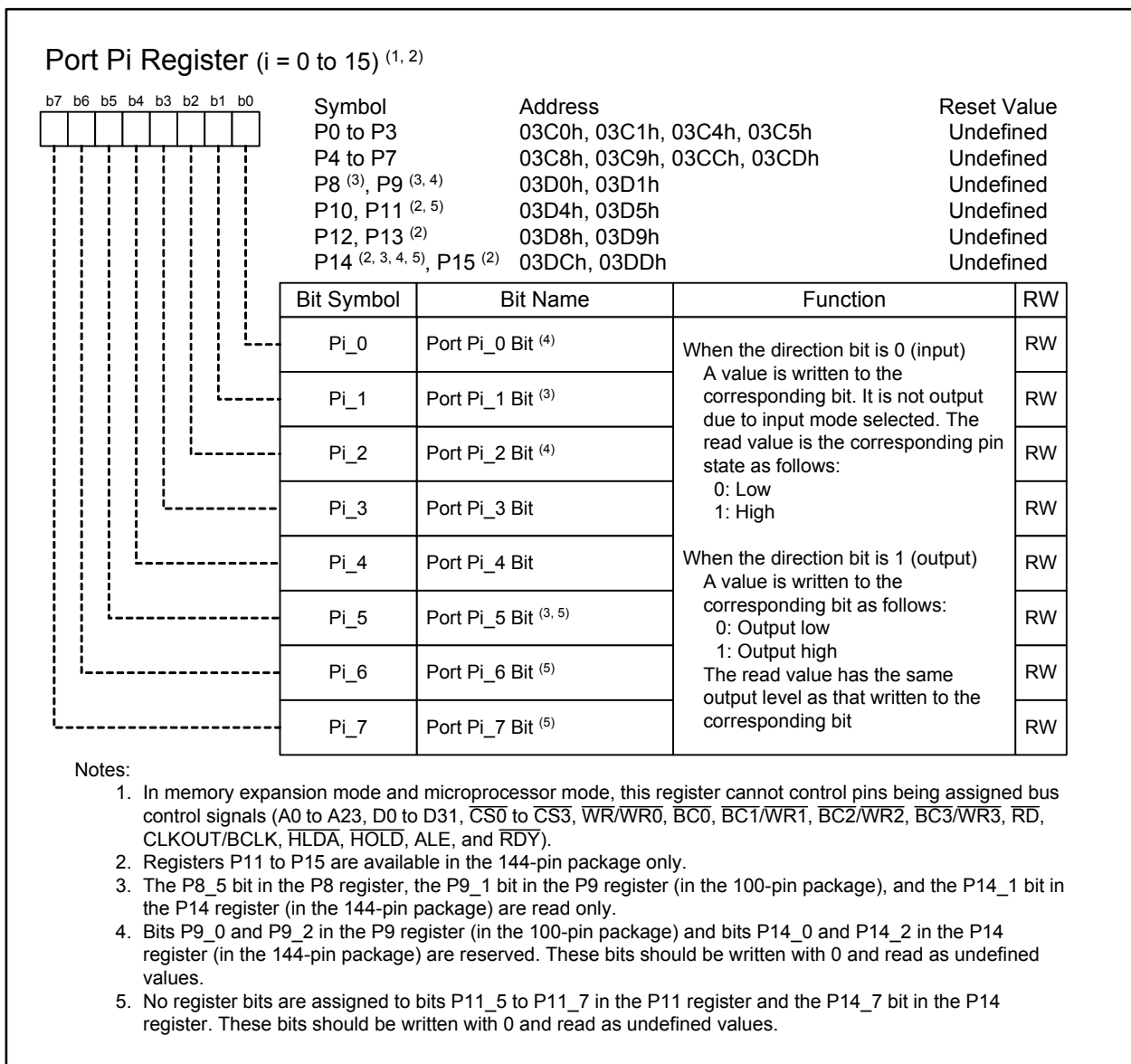


Figure 15.5 Registers P0 to P15

16. Timers

This MCU has eleven 16-bit timers which are divided into two groups according to their functions: five timer As and six timer Bs. Each timer functions individually. The count source of each timer provides the clock for timer operations such as counting and reloading.

Figures 16.1 and 16.2 show the configuration of timers A and B, respectively.

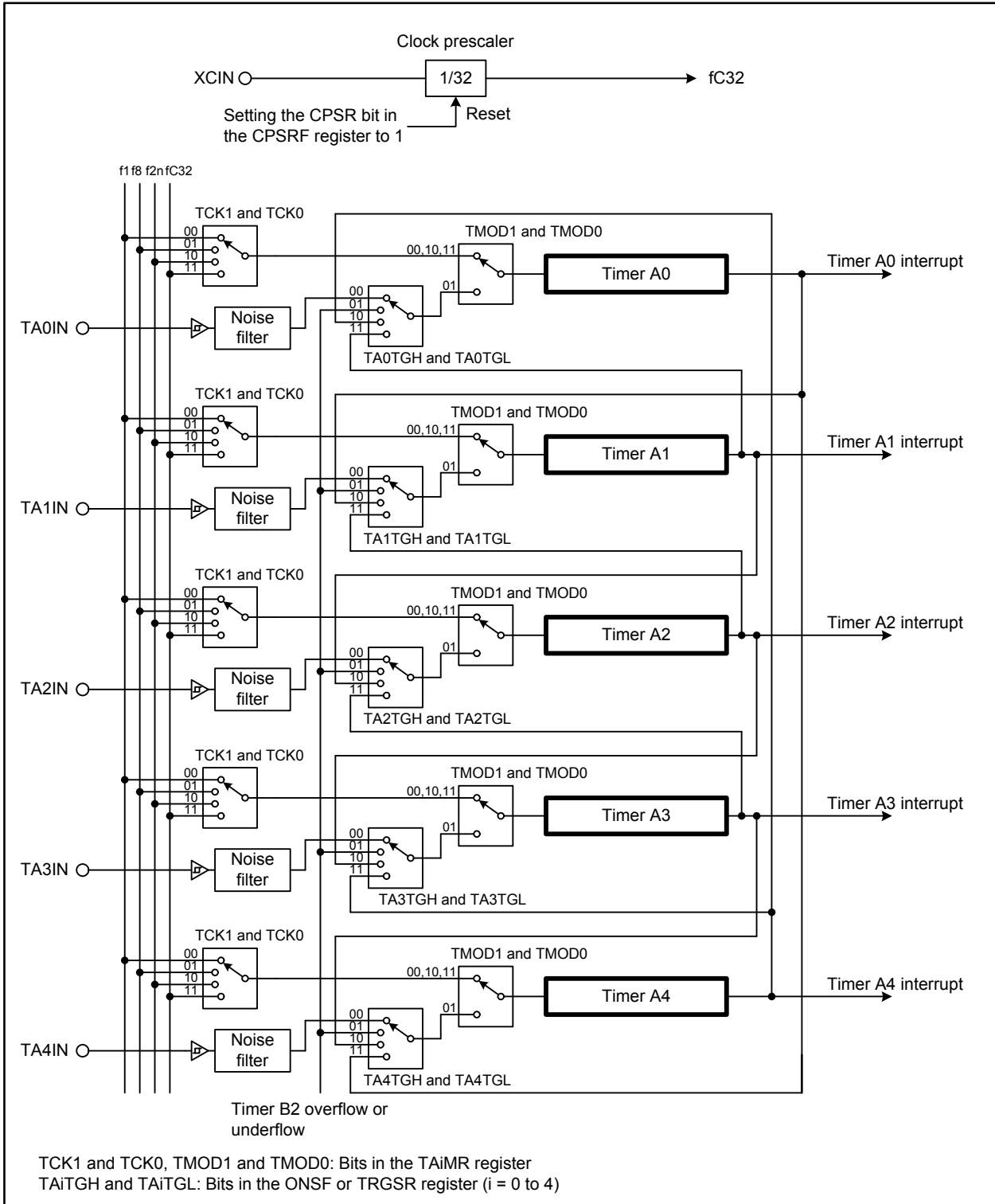


Figure 16.1 Timer A Configuration

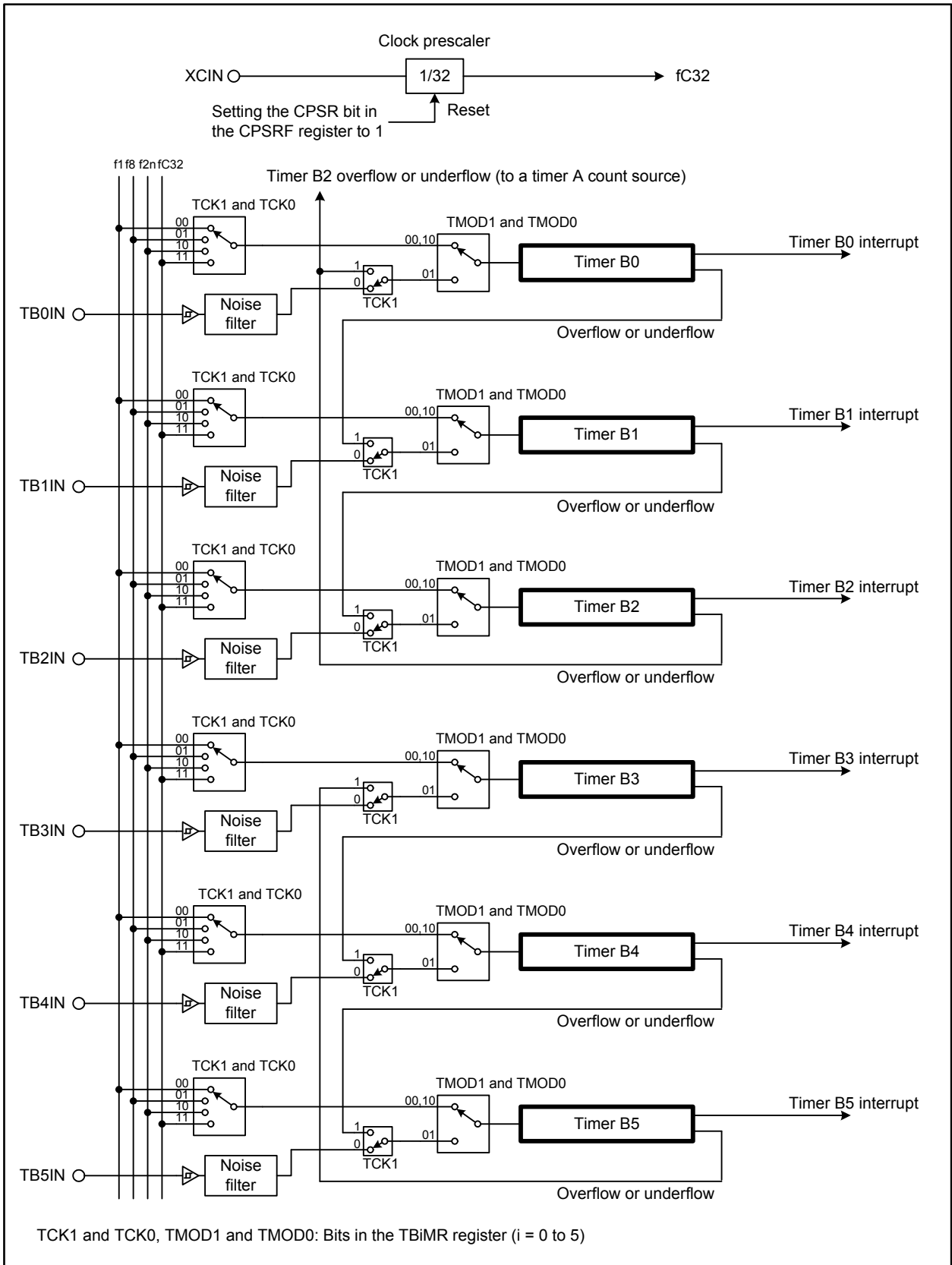


Figure 16.2 Timer B Configuration

16.1 Timer A

Figure 16.3 shows a block diagram of timer A and Figure 16.4 to Figure 16.10 show registers associated with timer A.

Timer A supports the four modes shown below. Timers A0 to A4 in any mode other than the event counter mode have the same function. Select a mode by setting bits TMOD1 and TMOD0 in the TAI_iMR register (i = 0 to 4).

- Timer mode: The timer counts an internal count source
- Event counter mode: The timer counts an external pulse or overflow and underflow of other timers
- One-shot timer mode: The timer outputs pulses after a trigger input until the counter reaches 0000h
- Pulse-width modulation mode: The timer successively outputs pulses of a given width

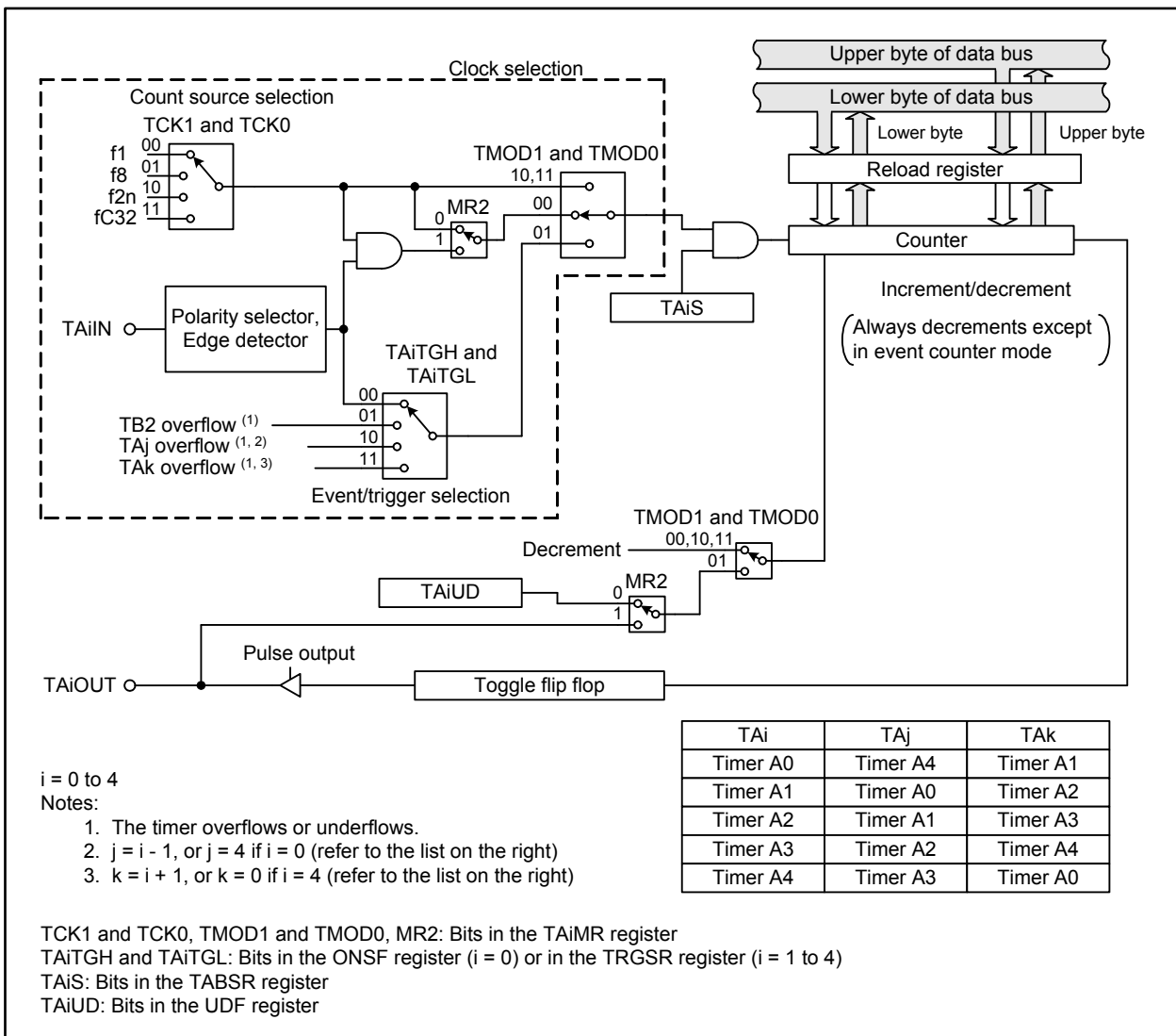


Figure 16.3 Timer A Block Diagram

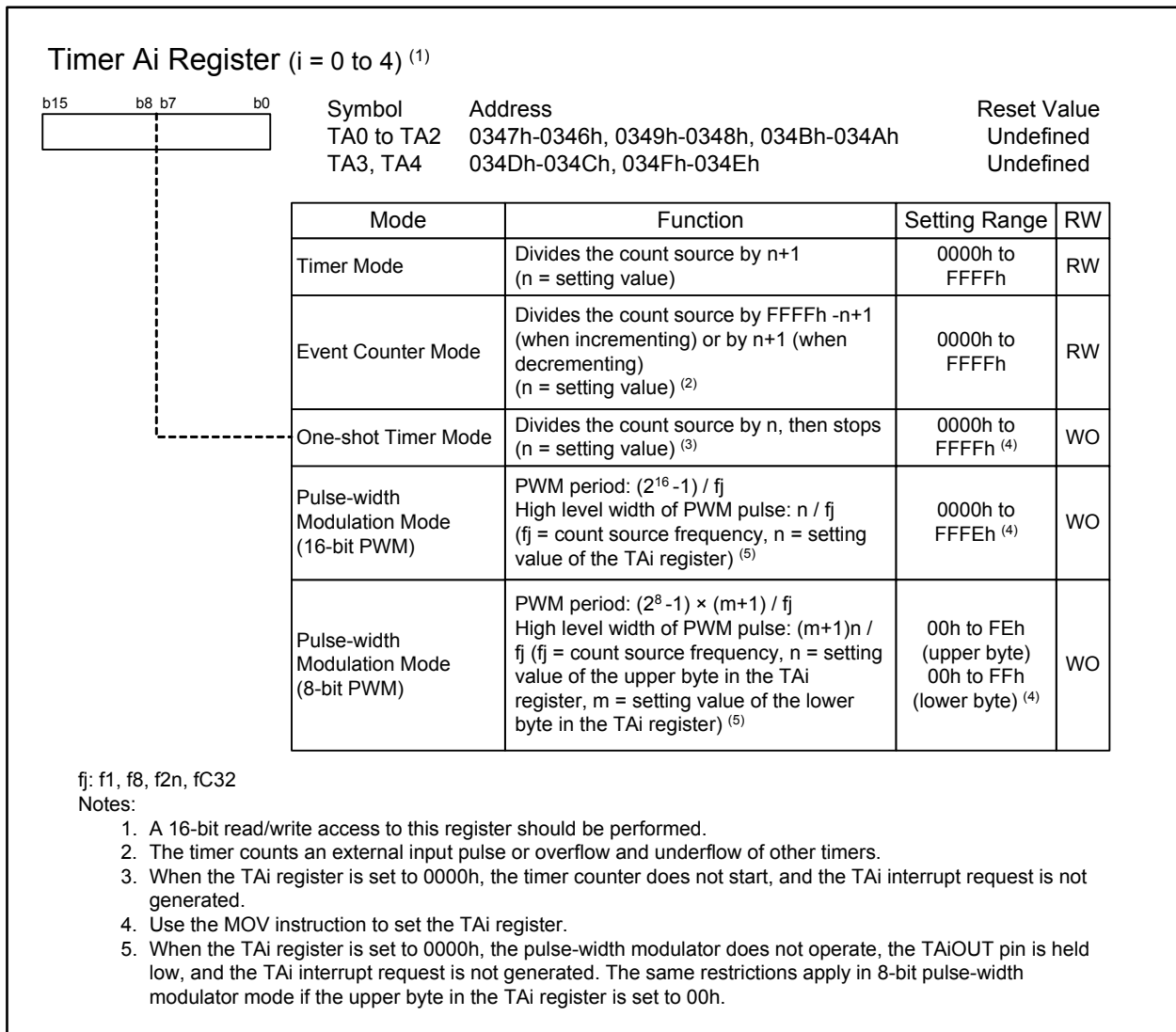


Figure 16.4 Registers TA0 to TA4

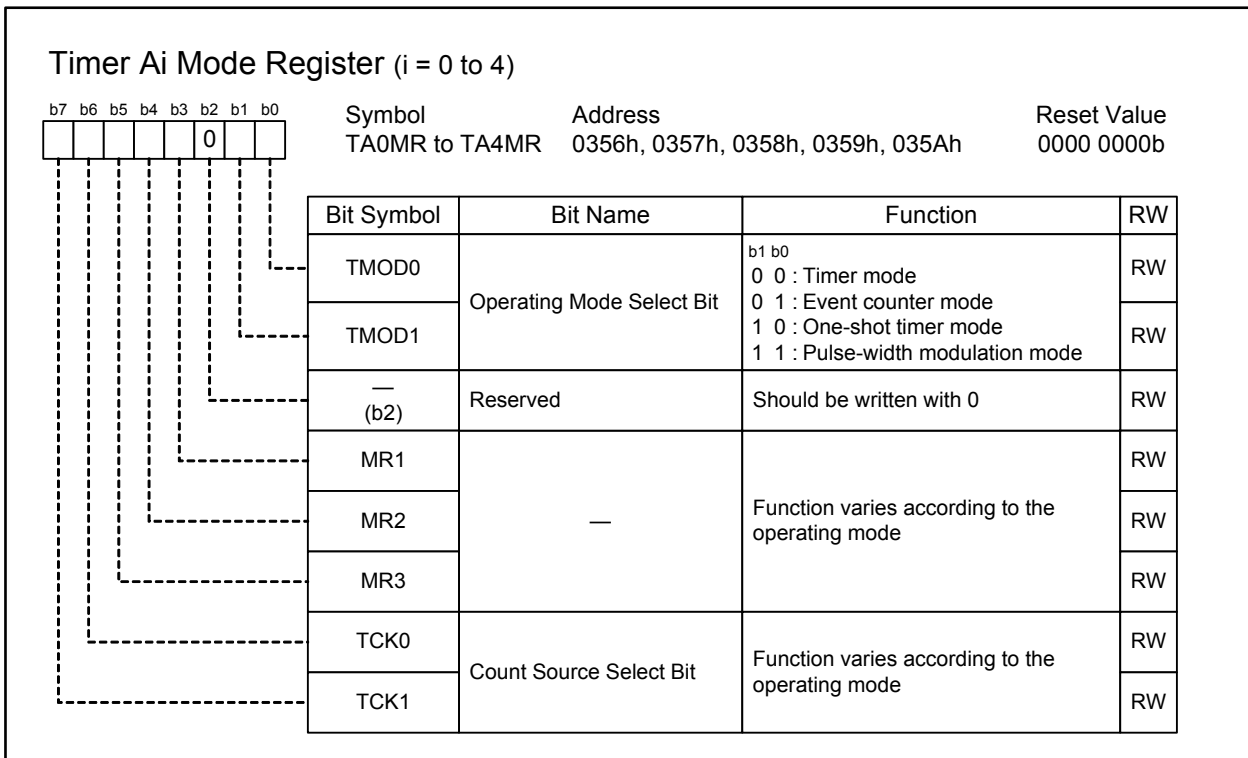


Figure 16.5 Registers TA0MR to TA4MR

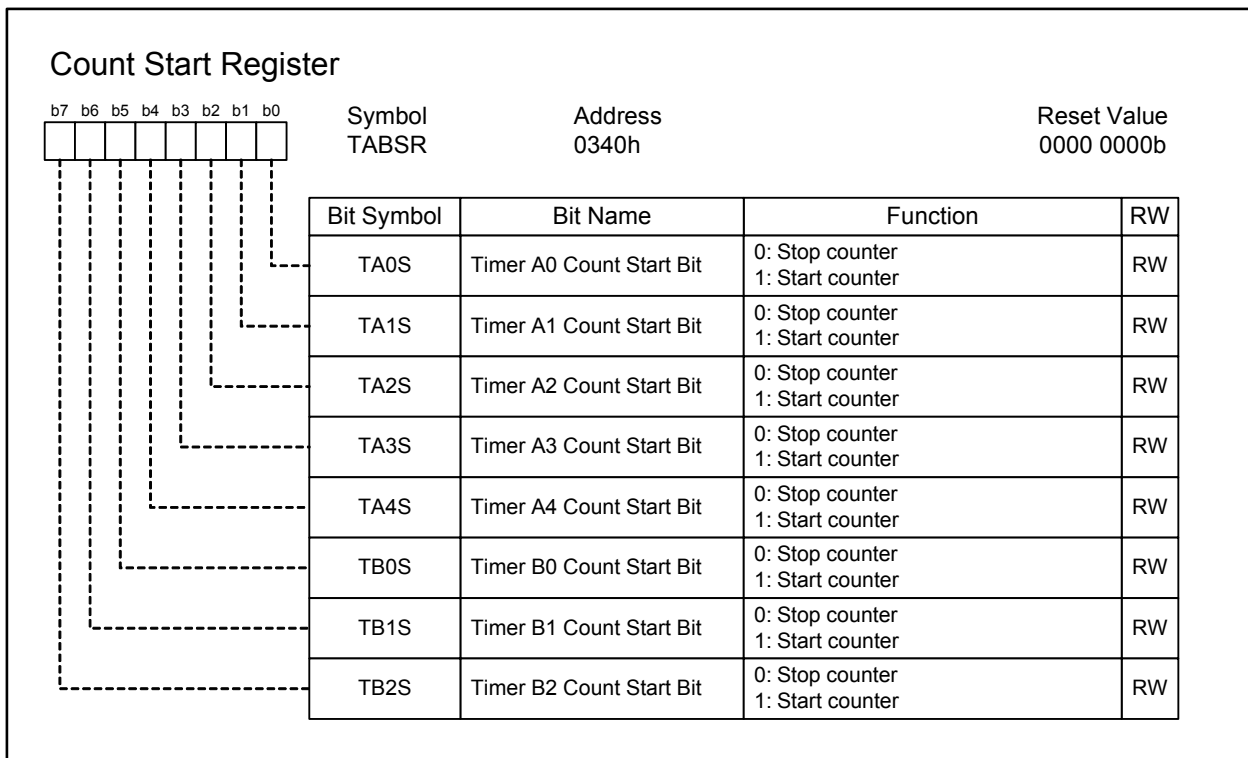


Figure 16.6 TABSR Register

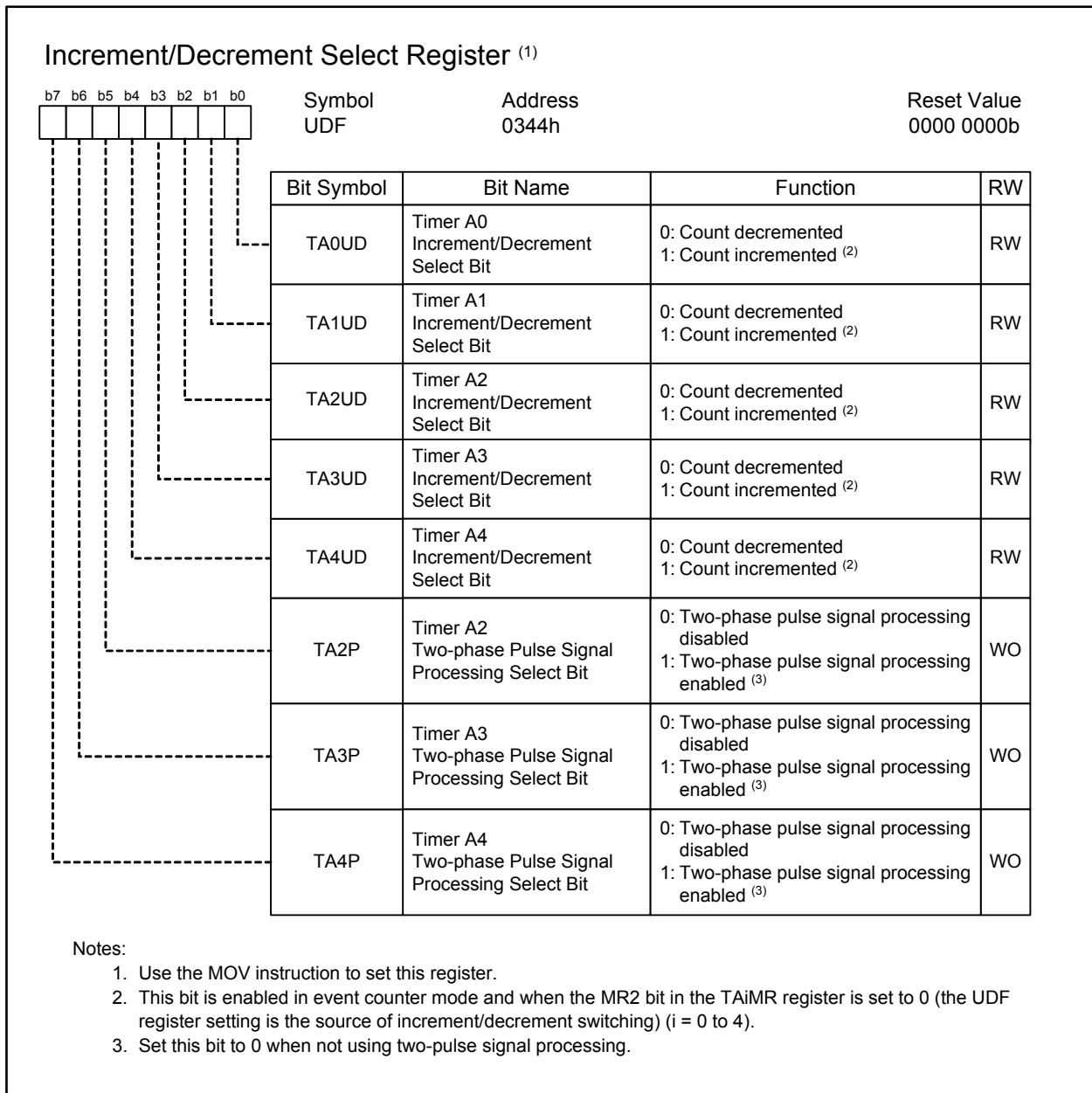


Figure 16.7 UDF Register

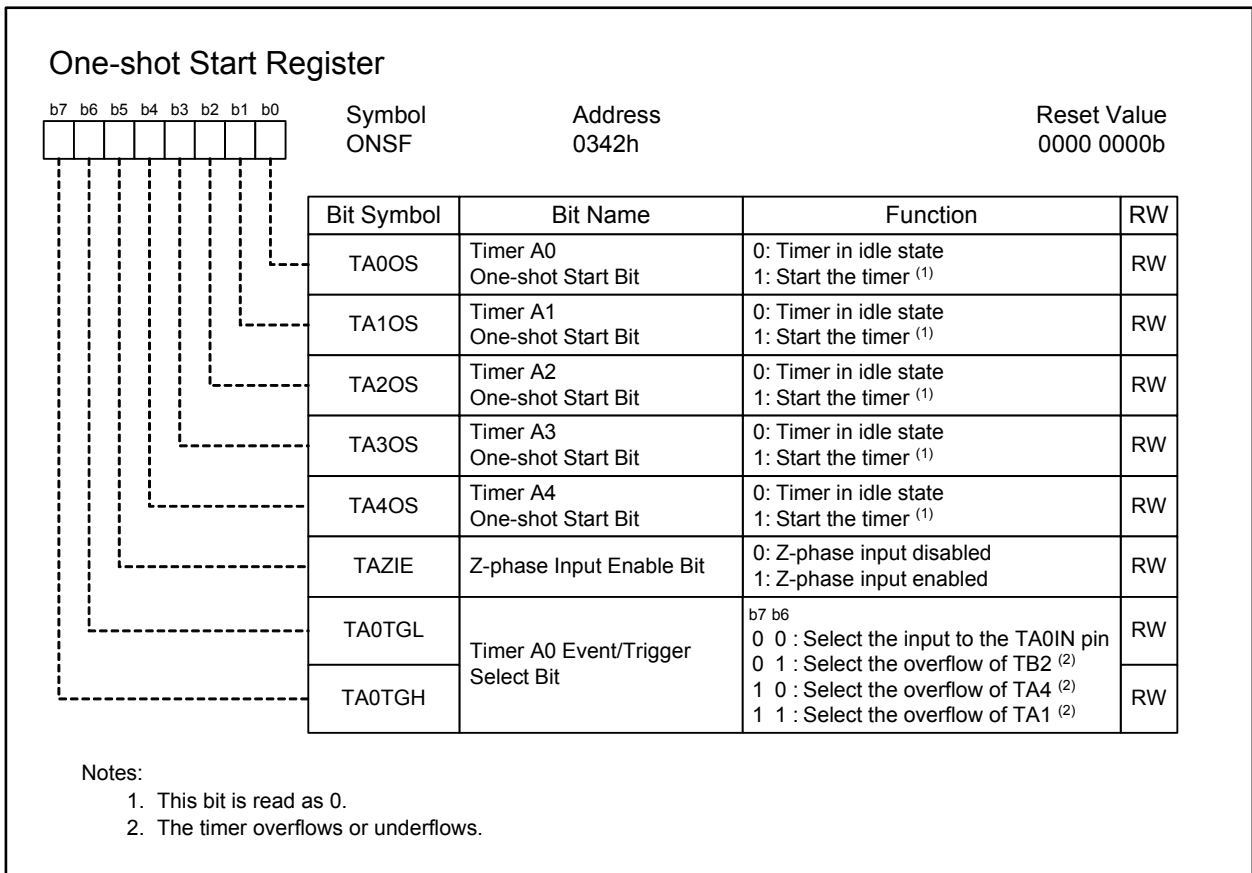


Figure 16.8 ONSF Register

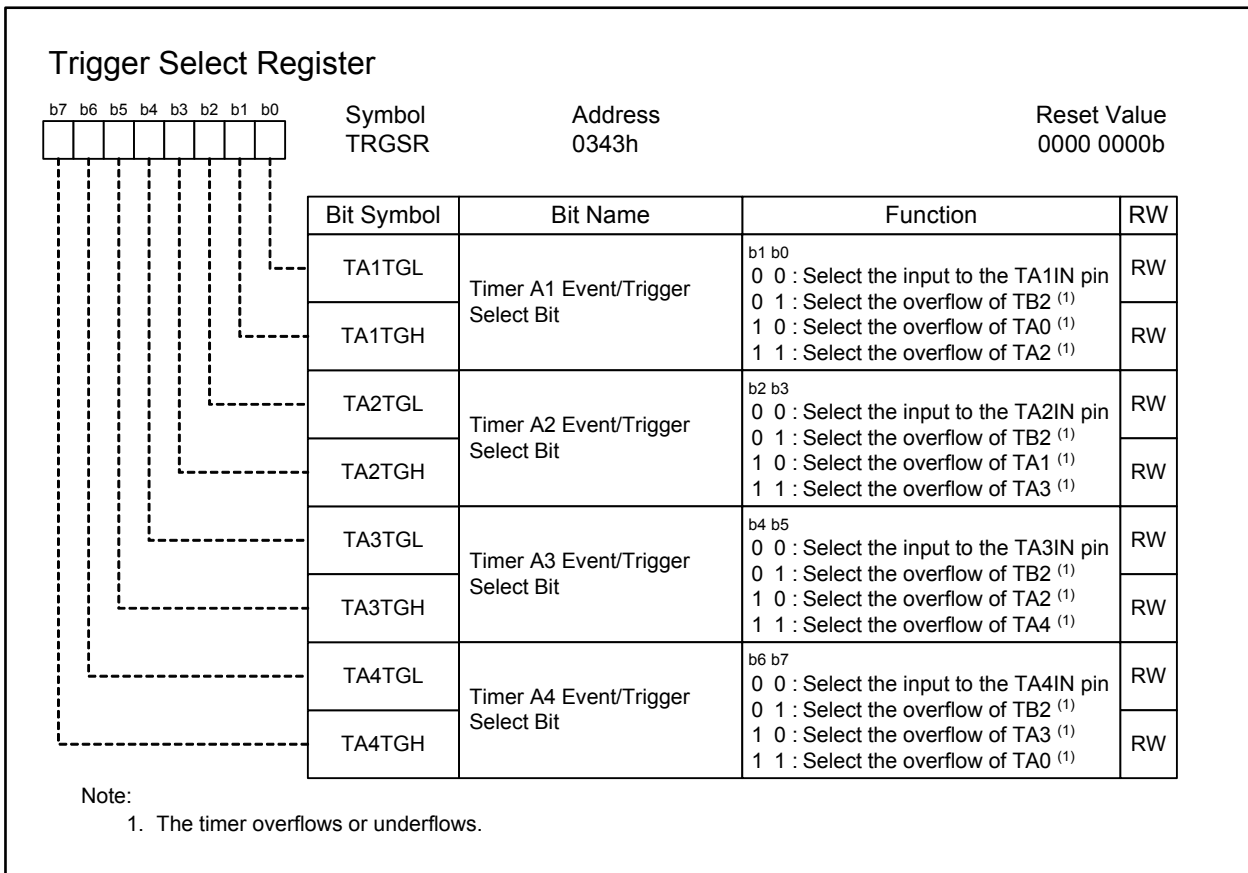


Figure 16.9 TRGSR Register

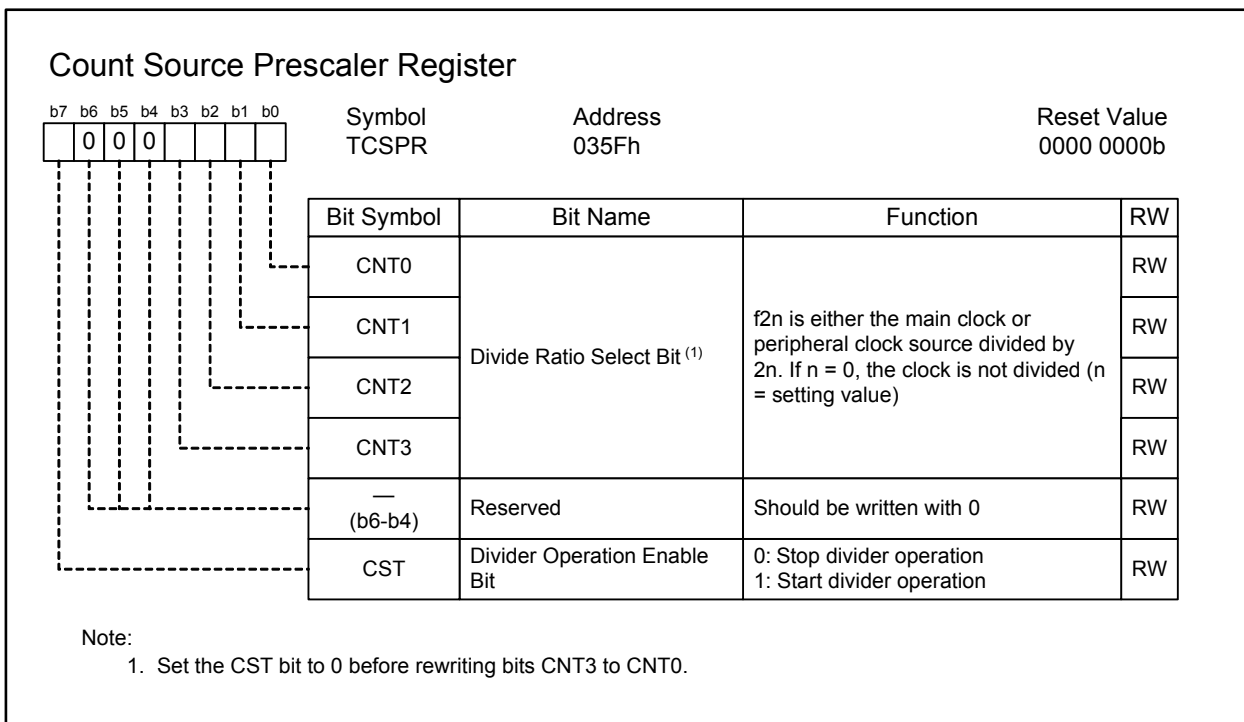


Figure 16.10 TCSPR Register

16.1.1 Timer Mode

In timer mode, the timer counts an internally generated count source. Table 16.1 lists the specifications of timer mode. Figure 16.11 shows registers TA0MR to TA4MR in this mode.

Table 16.1 Timer Mode Specifications (i = 0 to 4)

Item	Specification
Count sources	f1, f8, f2n, or fC32
Count operations	<ul style="list-style-type: none"> • Decrement • When the timer counter underflows, the reload register value is reloaded into the counter to continue counting
Divide ratio	$\frac{1}{n+1}$ n: TAI register setting value, 0000h to FFFFh
Count start condition	The TAI _S bit in the TABSR register is 1 (start counter)
Count stop condition	The TAI _S bit in the TABSR register is 0 (stop counter)
Interrupt request generating timing	When the timer counter underflows
TAiIN pin function	Functions as a programmable I/O port or a gate input
TAiOUT pin function	Functions as a programmable I/O port or a pulse output
Read from timer	The TAI register indicates the counter value
Write to timer	<ul style="list-style-type: none"> • While the timer counter is stopped or before the initial count source is input after starting to count, the value written to the TAI register is written to both the reload register and the counter • While the timer counter is running, the value written to the TAI register is written to the reload register (it is transferred to the counter at the next reload timing)
Other functions	<ul style="list-style-type: none"> • Gate function Input signal to the TAI_{IN} pin can control the count start/stop • Pulse output function The polarity of the TAI_{OUT} pin is inverted each time the timer counter underflows. A low is output while the TAI_S bit holds 0 (stop counter)

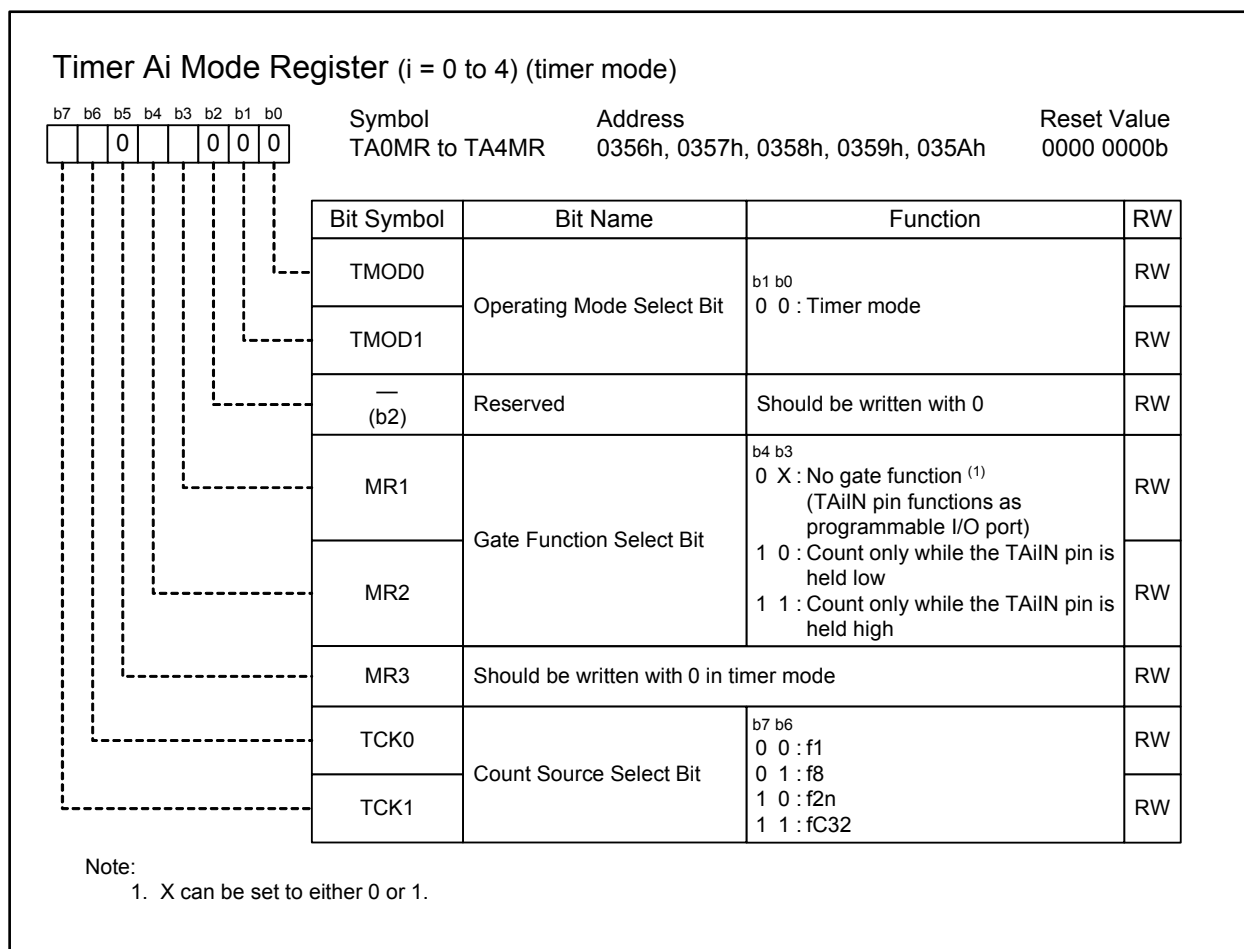


Figure 16.11 Registers TA0MR to TA4MR in Timer Mode

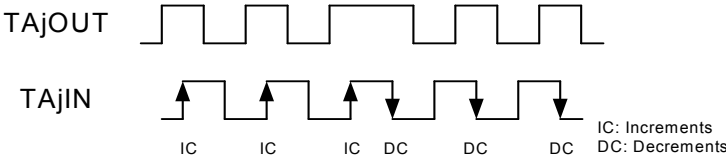
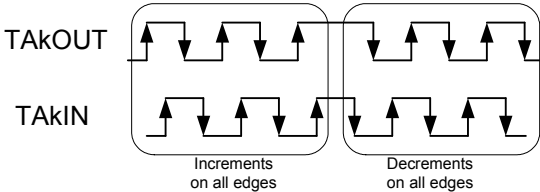
16.1.2 Event Counter Mode

In event counter mode, the timer counts an external signal or an overflow and underflow of other timers. Timers A2, A3, and A4 can count two-phase external signals. Table 16.2 lists the specifications in event count mode and Table 16.3 also lists the specifications when the timers use two-phase pulse signal processing. Figure 16.12 shows registers TA0MR to TA4MR in this mode.

**Table 16.2 Event Counter Mode Specifications (without two-phase pulse signal processing)
(i = 0 to 4)**

Item	Specification
Count sources	<ul style="list-style-type: none"> External signal applied to the TAIIN pin (valid edge is selectable by a program) One of the following: the overflow and/or underflow signal of timer B2, the overflow and/or underflow signal of timer Aj (j = i - 1, or j = 4 if i = 0), or the overflow and/or underflow signal of timer Ak (k = i + 1, or k = 0 if i = 4)
Count operations	<ul style="list-style-type: none"> Increment/decrement can be switched by an external signal or program When the timer counter underflows or overflows, the reload register value is reloaded into the counter to continue counting. In a free-running count operation, the timer counter continues counting without reloading
Divide ratio	<ul style="list-style-type: none"> $\frac{1}{FFFFh - n + 1}$ when incrementing $\frac{1}{n + 1}$ when decrementing n: TAI register setting value, 0000h to FFFFh
Count start condition	The TAI S bit in the TABSR register is 1 (start counter)
Count stop condition	The TAI S bit in the TABSR register is 0 (stop counter)
Interrupt request generating timing	When the timer counter overflows or underflows
TAiIN pin function	Functions as a programmable I/O port or a count source input
TAiOUT pin function	Functions as a programmable I/O port, a pulse output, or an input for switching between increment/decrement
Read from timer	The TAI register indicates a counter value
Write to timer	<ul style="list-style-type: none"> While the timer counter is stopped or before the initial count source is input after starting to count, the value written to the TAI register is written to both the reload register and the counter While the timer counter is running, the value written to the TAI register is written to the reload register (it is transferred to the counter at the next reload timing)
Other functions	<ul style="list-style-type: none"> Free-running count function The reload register value is not reloaded even if the timer counter overflows or underflows Pulse output function The polarity of the TAIOUT pin is inverted whenever the timer counter overflows or underflows. A low is output while the TAI S bit holds 0 (stop counter)

Table 16.3 Event Counter Mode Specifications (with two-phase pulse signal processing on timers A2 to A4) (i = 2 to 4)

Item	Specification
Count sources	Two-phase pulse signal applied to pins TAIIN and TAIOUT
Count operations	<ul style="list-style-type: none"> Increment/decrement can be switched by a two-phase pulse signal When the timer counter underflows or overflows, the reload register value is reloaded into the counter to continue counting. In a free-running count operation, the timer counter continues counting without reloading
Divide ratio	<ul style="list-style-type: none"> $\frac{1}{FFFFh - n + 1}$ when incrementing $\frac{1}{n + 1}$ when decrementing <i>n</i> : TAI register setting value, 0000h to FFFFh
Count start condition	The TAI <i>S</i> bit in the TABSR register is 1 (start counter)
Count stop condition	The TAI <i>S</i> bit in the TABSR register is 0 (stop counter)
Interrupt request generating timing	When the timer counter overflows or underflows
TAIIN pin function	A two-phase pulse input
TAIOUT pin function	A two-phase pulse input
Read from timer	The TAI register indicates a counter value
Write to timer	<ul style="list-style-type: none"> While the timer counter is stopped or before the initial count source is input after starting to count, the value written to the TAI register is written to both the reload register and the counter While the timer counter is running, the value written to the TAI register is written to the reload register (it is transferred to the counter at the next reload timing)
Other functions (1)	<ul style="list-style-type: none"> Normal processing operation (timers A2 and A3) While the input signal applied to the TAJOUT pin is held high, the timer increments on the rising edge of the TAJIN pin and decrements on the falling edge (j = 2 or 3)  <ul style="list-style-type: none"> Quadrupled processing operation (timers A3 and A4) When the input signal applied to the TAKOUT pin is held high on the rising edge of the TAKIN pin, the timer increments on both the rising and falling edges of pins TAKOUT and TAKIN (k = 3 or 4). When the signal is held high on the falling edge of the TAKIN pin, the timer decrements on both the rising and falling edges of pins TAKOUT and TAKIN  <ul style="list-style-type: none"> Counter reset by Z-phase input (timer A3) The counter value is set to 0 by Z-phase input

Note:

- Only timer A3 is available for any of the other functions. Timer A2 is exclusively for normal processing operations and timer A4 is for the quadrupled processing operation.

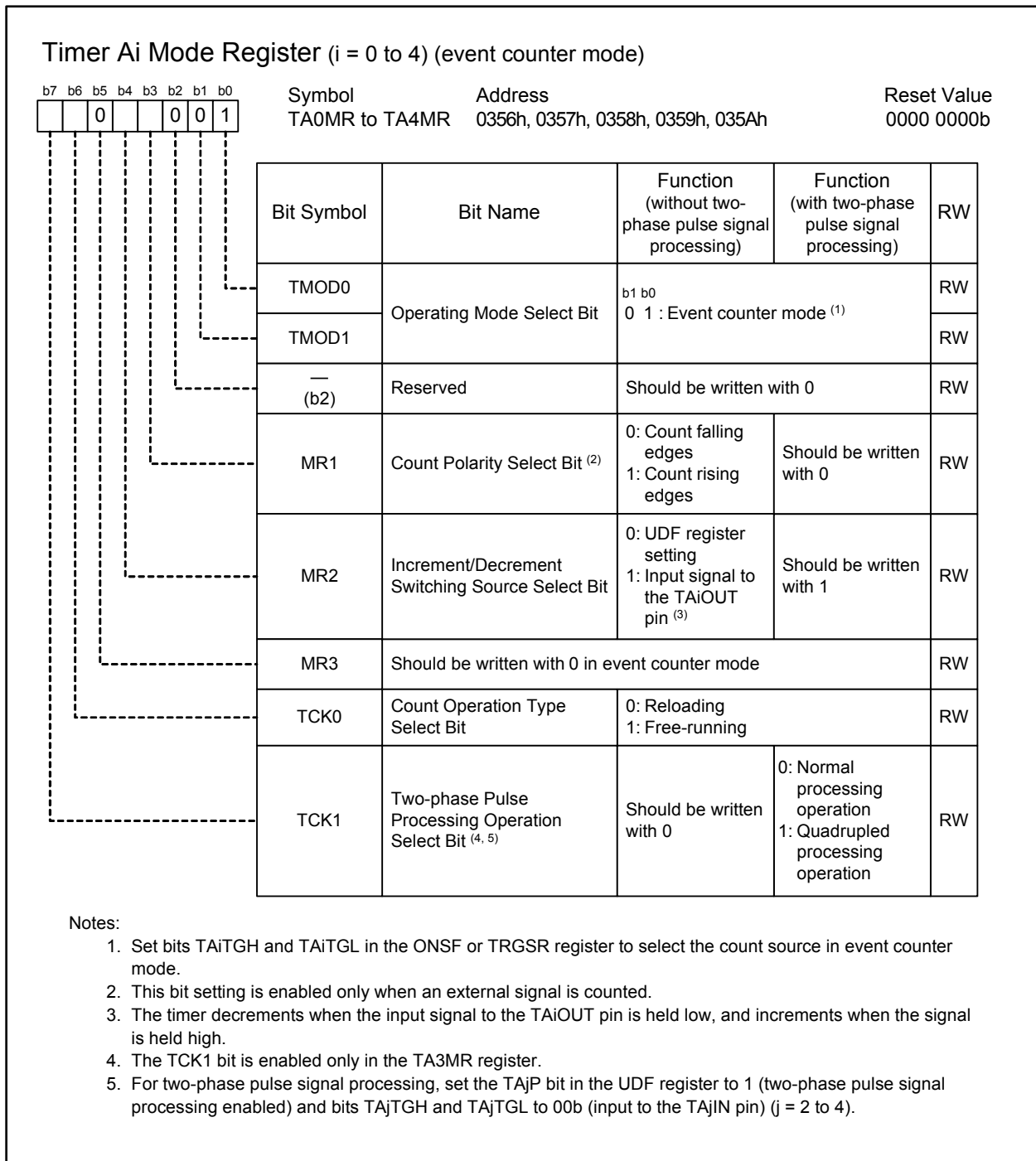


Figure 16.12 Registers TA0MR to TA4MR in Event Counter Mode

16.1.2.1 Counter Reset by Two-phase Pulse Signal Processing

A Z-phase input signal resets the timer counter when a two-phase pulse signal is being processed. This function can be used under the following conditions: timer A3 event counter mode, two-phase pulse signal processing, free-running count operation, and quadrupled processing. The Z-phase signal is applied to the $\overline{\text{INT2}}$ pin.

When the TAZIE bit in the ONSF register is set to 1 (Z-phase input enabled), the timer counter can be reset by Z-phase input. To reset the counter, set the TA3 register to 0000h beforehand.

A Z-phase signal applied to the $\overline{\text{INT2}}$ pin is detected on an edge. The edge polarity is selected using the POL bit in the INT2IC register. The Z-phase signal should be input in order to have a pulse width of at least one count source cycle for timer A3. Figure 16.13 shows the two-phase pulse (phases A and B) and the Z-phase.

The timer counter is reset at the initial count source input after Z-phase input is detected. Figure 16.14 shows the counter reset timing.

When timer A3 overflows or underflows during a reset by the Z-phase input, two timer A3 interrupt requests are successively generated. To avoid this, the timer A3 interrupt request should not be used when using this function.

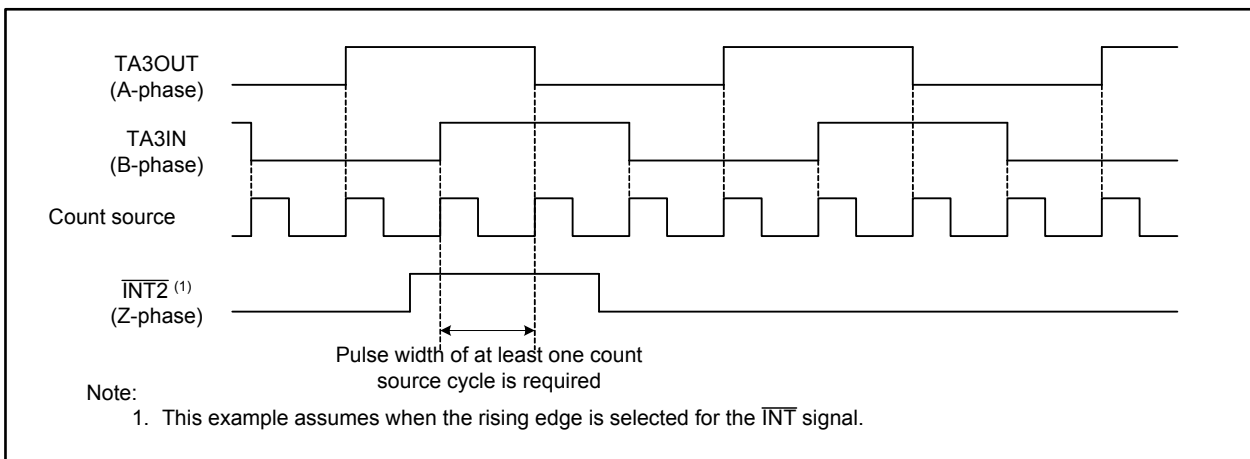


Figure 16.13 Two-phase Pulse (phases A and B) and Z-phase

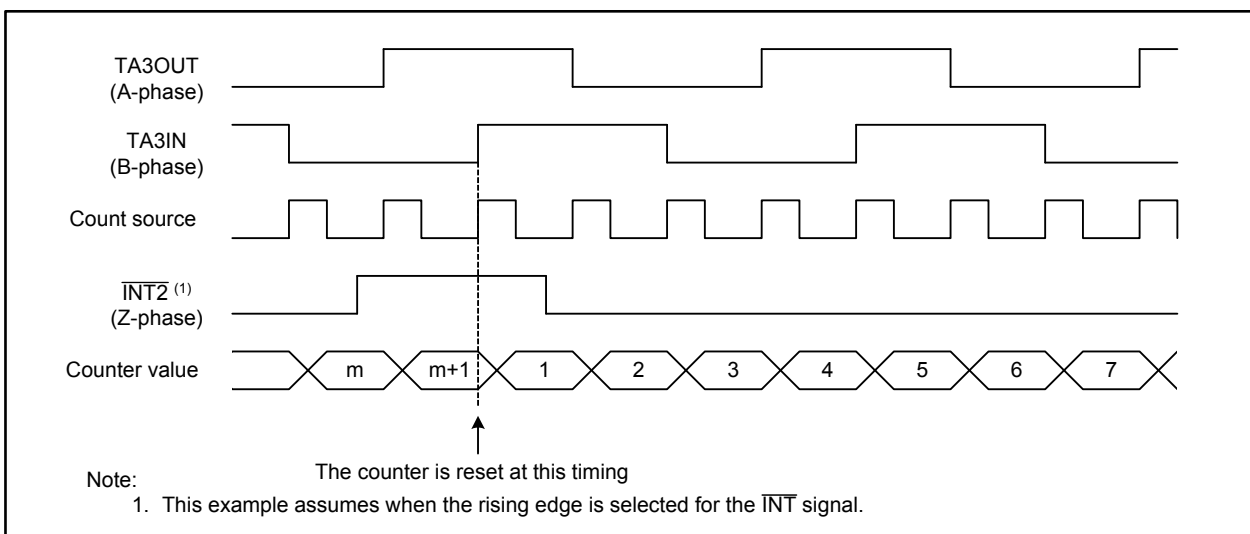


Figure 16.14 Counter Reset Timing

16.1.3 One-shot Timer Mode

In one-shot timer mode, the timer operates only once for each trigger. Table 16.4 lists specifications of one-shot timer mode. Once a trigger occurs, the timer starts and operates for a given period. Figure 16.15 shows registers TA0MR to TA4MR in this mode.

Table 16.4 One-shot Timer Mode Specifications (i = 0 to 4)

Item	Specification
Count sources	f1, f8, f2n, or fC32
Count operations	<ul style="list-style-type: none"> • Decrement • When the timer counter reaches 0000h, it stops running after the reload register value is reloaded • When a trigger occurs while counting, the reload register value is reloaded into the counter to continue counting
Divide ratio	$\frac{1}{n}$ n: TAI register setting value, 0000h to FFFFh (Note that the timer counter does not run if n = 0000h)
Count start conditions	<p>The TAI_S bit in the TABSR register is 1 (start counter) and any of following triggers occurs:</p> <ul style="list-style-type: none"> • An external trigger applied to the TAI_{IN} pin • One of the following: the overflow and/or underflow signal of timer B2, the overflow and/or underflow signal of timer A_j (j = i - 1, or j = 4 if i = 0), or the overflow and/or underflow signal of timer A_k (k = i + 1, or k = 0 if i = 4) • The TAI_{OS} bit in the ONSF register is 1 (start the timer)
Count stop conditions	<ul style="list-style-type: none"> • The timer counter reaches 0000h and the reload register value is reloaded • The TAI_S bit in the TABSR register is 0 (stop counter)
Interrupt request generating timing	When the timer counter reaches 0000h
TAI _{IN} pin function	A programmable I/O port or a trigger input
TAI _{OUT} pin function	A programmable I/O port or a pulse output
Read from timer	The TAI register indicates an undefined value
Write to timer	<ul style="list-style-type: none"> • While the timer counter is stopped or before the initial count source is input after starting to count, the value written to the TAI register is written to both the reload register and the counter • While the timer counter is running, the value written to the TAI register is written to the reload register (it is transferred to the counter at the next reload timing)
Other function	<ul style="list-style-type: none"> • Pulse output function <p>A low is output while the timer counter is stopped and a high is output while the timer counter is running</p>

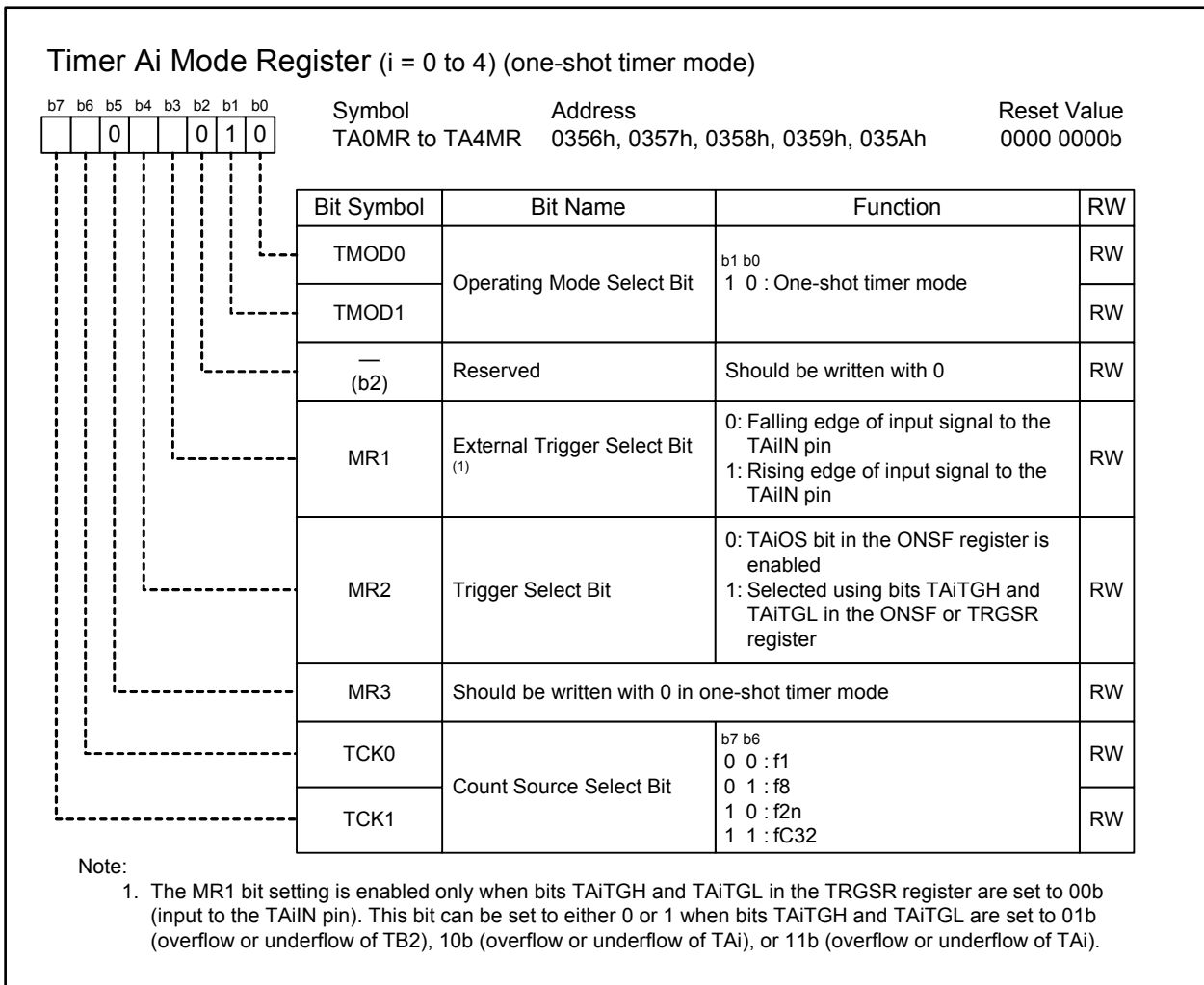


Figure 16.15 Registers TA0MR to TA4MR in One-shot Timer Mode

16.1.4 Pulse-width Modulation Mode

In pulse-width modulation mode, the timer outputs pulses of given width successively. Table 16.5 lists specifications of pulse-width modulation mode. The timer counter functions as either a 16-bit or 8-bit pulse-width modulator. Figure 16.16 shows registers TA0MR to TA4MR in this mode. Figures 16.17 and 16.18 show operation examples of 16-bit and 8-bit pulse-width modulators.

Table 16.5 Pulse-width Modulation Mode Specifications (i = 0 to 4)

Item	Specification
Count sources	f1, f8, f2n, or fC32
Count operations	<ul style="list-style-type: none"> Decrement (the timer counter functions as an 8-bit or a 16-bit pulse-width modulator) The reload register value is reloaded on the rising edge of a PWM pulse to continue counting The timer is not affected by a trigger that occurs while the counter is running
16-bit PWM	<ul style="list-style-type: none"> High level width: $\frac{n}{fj}$ <i>n</i>: TAI register setting value, 0000h to FFFEh <i>fj</i>: Count source frequency Period: fixed to $\frac{2^{16} - 1}{fj}$
8-bit PWM	<ul style="list-style-type: none"> High level width: $\frac{n \times (m + 1)}{fj}$ Period: $\frac{(2^8 - 1) \times (m + 1)}{fj}$ <i>n</i>: Upper byte of the TAI register setting value, 00h to FEh <i>m</i>: Lower byte of the TAI register setting value, 00h to FFh
Count start conditions	<ul style="list-style-type: none"> The TAI_S bit in the TABSR register is 1 (start counter) The TAI_S bit is 1 and an external trigger is applied to the TAI_{IN} pin The TAI_S bit is 1 and any of following triggers occurs: the overflow and/or underflow signal of timer B2, the overflow and/or underflow signal of timer A_j (j = i - 1, or j = 4 if i = 0), or the overflow and/or underflow signal of timer A_k (k = i + 1, or k = 0 if i = 4)
Count stop condition	The TAI _S bit in the TABSR register is 0 (stop counter)
Interrupt request generating timing	On the falling edge of the PWM pulse
TAI _{IN} pin function	A programmable I/O port or trigger input
TAI _{OUT} pin function	A pulse output
Read from timer	The TAI register indicates an undefined value
Write to timer	<ul style="list-style-type: none"> While the timer counter is stopped or before the initial count source is input after starting to count, the value written to the TAI register is written to both the reload register and the counter While the timer counter is running, the value written to the TAI register is written to the reload register (it is transferred to the counter at the next reload timing)

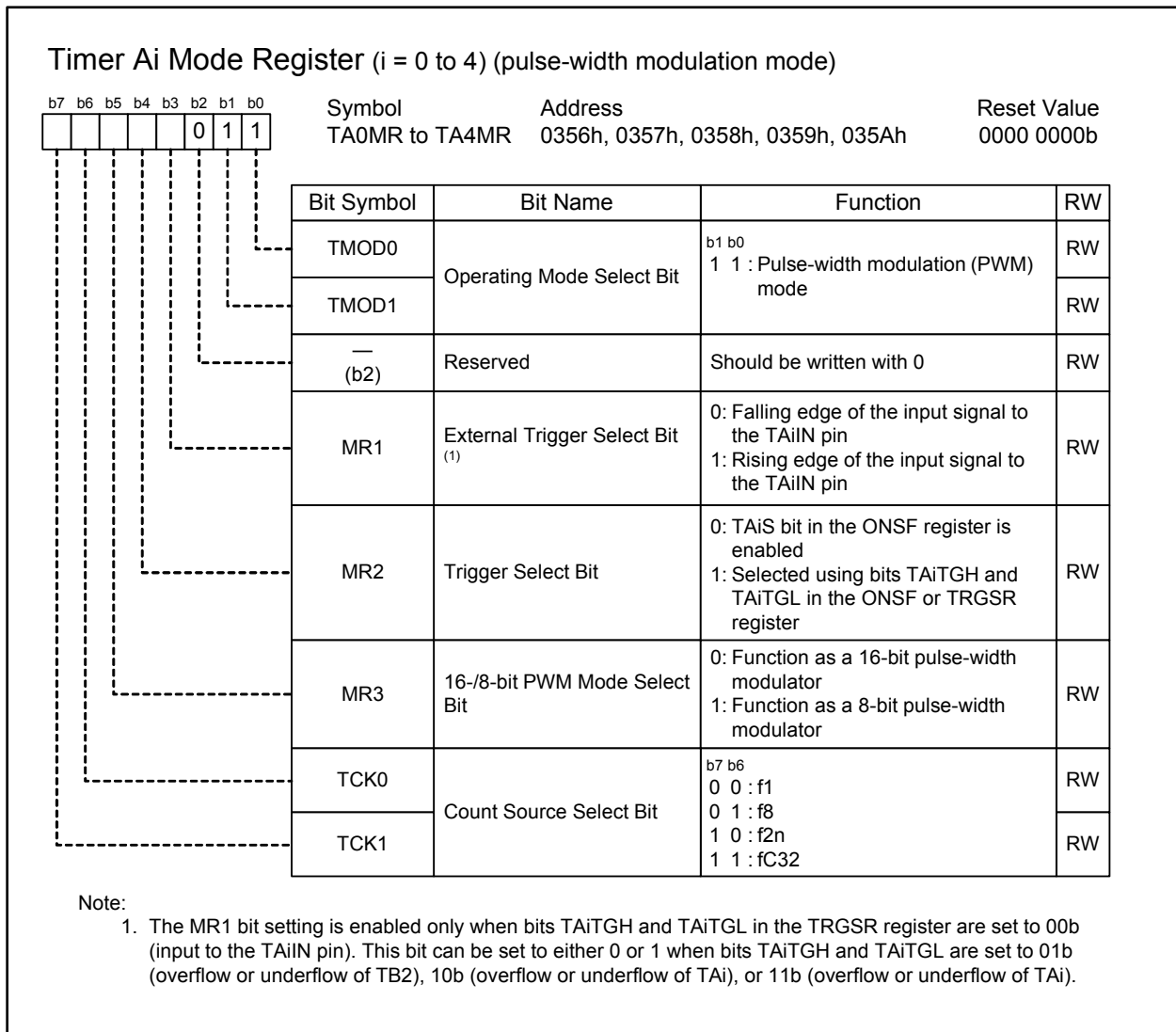


Figure 16.16 Registers TA0MR to TA4MR in Pulse-width Modulation Mode

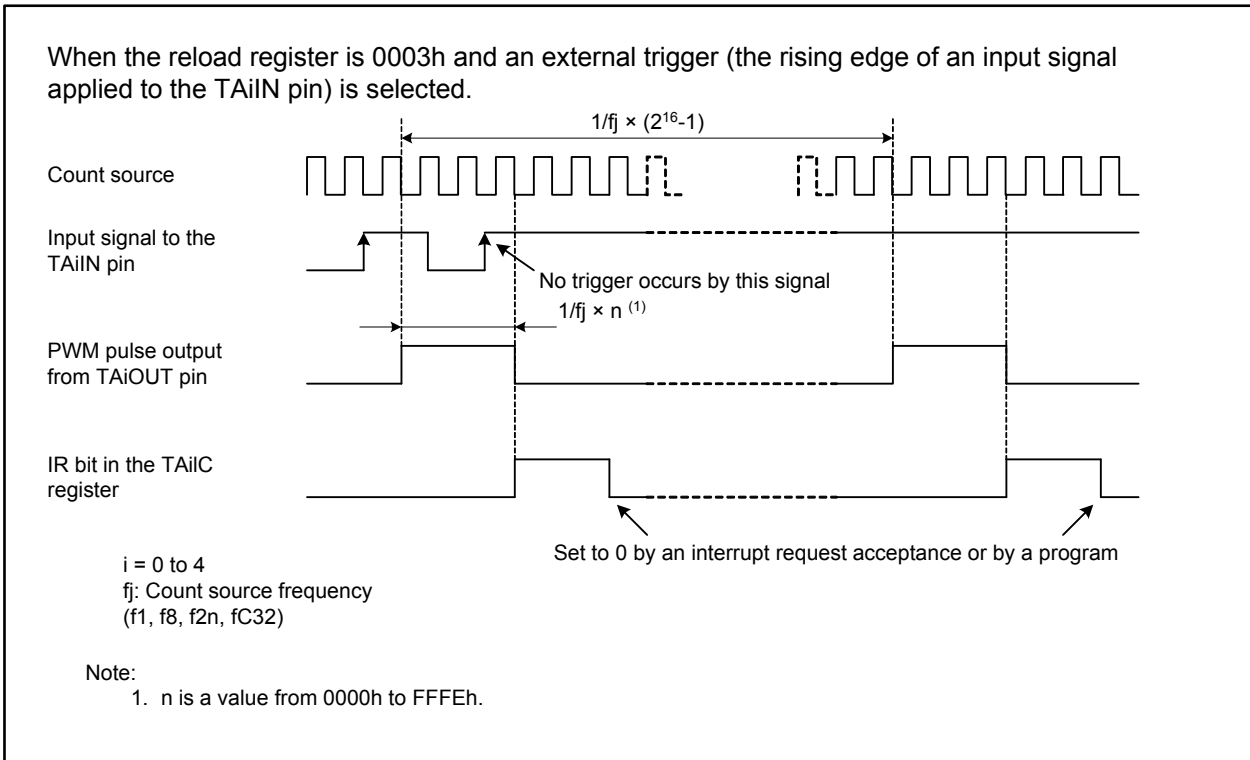


Figure 16.17 16-bit Pulse-width Modulator Operation

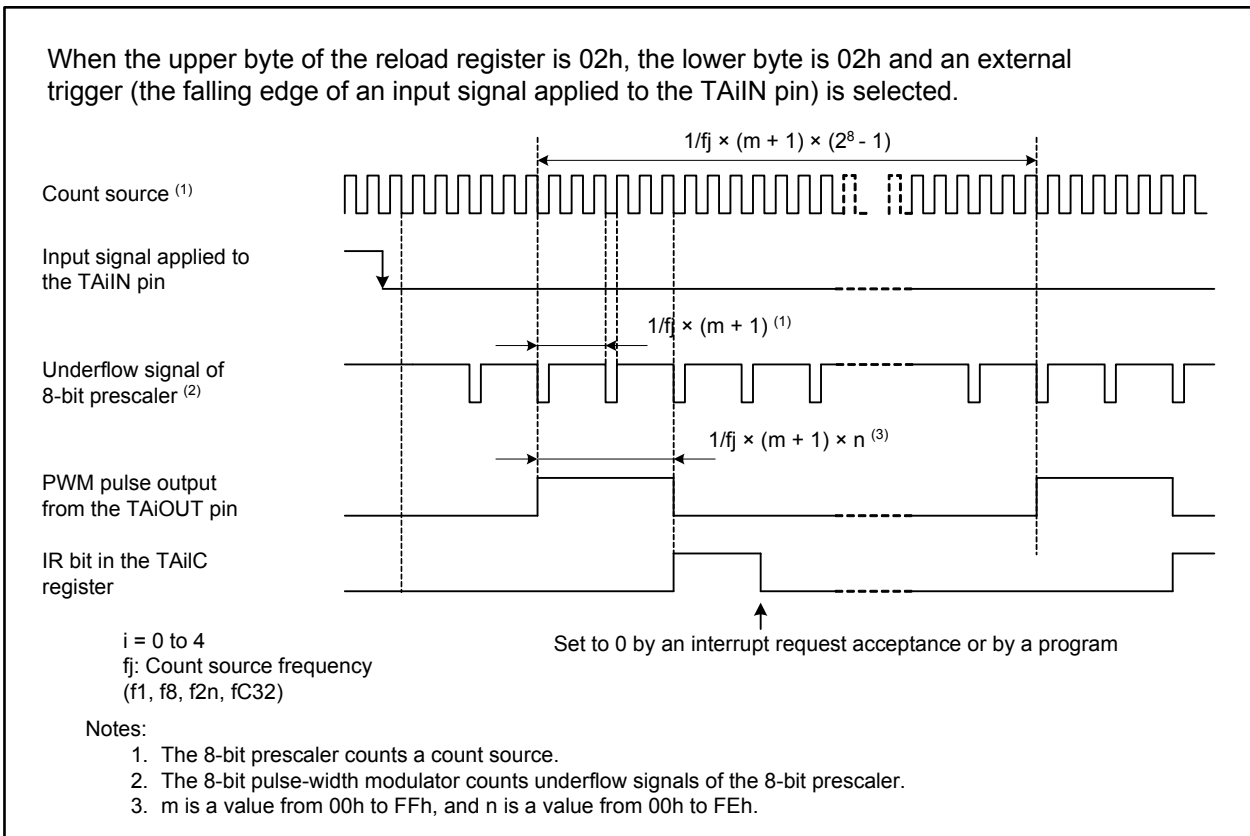


Figure 16.18 8-bit Pulse-width Modulator Operation

16.2 Timer B

Figure 16.19 shows a block diagram of timer B, and Figure 16.20 to Figure 16.23 show registers associated with timer B.

Timer B supports the three modes shown below. Select a mode by setting bits TMOD1 and TMOD0 in the TBiMR register ($i = 0$ to 5).

- Timer mode: The timer counts an internal count source.
- Event counter mode: The timer counts an external pulse or an overflow and underflow of other timers.
- Pulse period/pulse-width measure mode: The timer measures the pulse period or pulse width of an external signal.

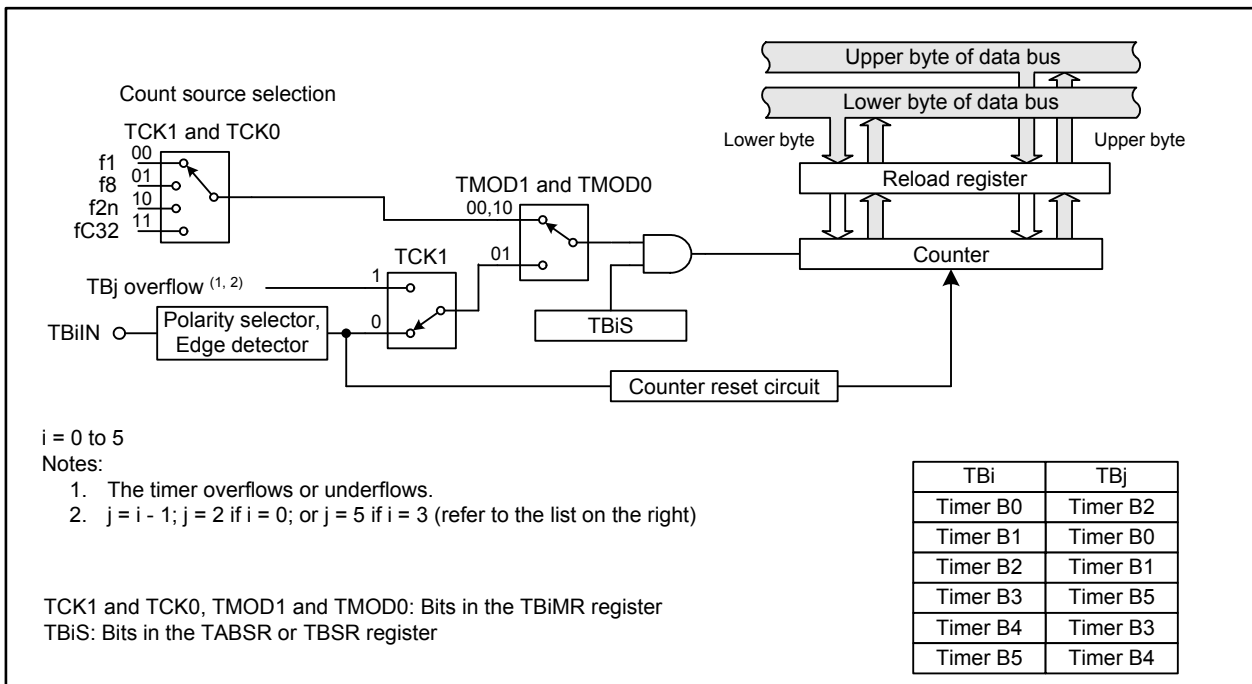


Figure 16.19 Timer B Block Diagram

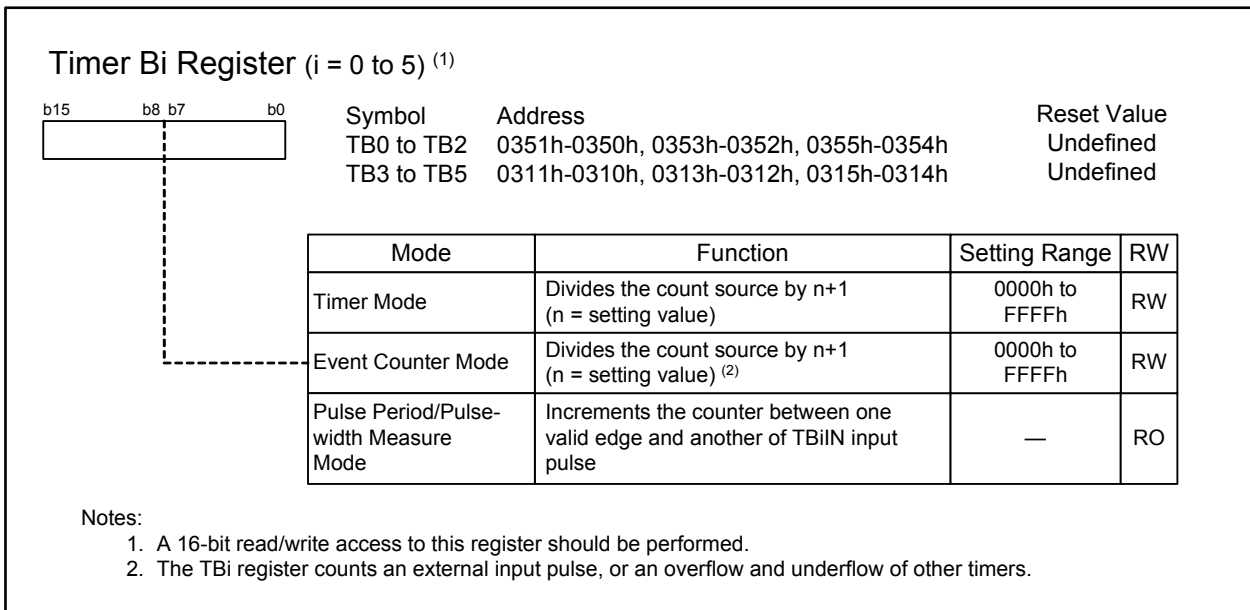


Figure 16.20 Registers TB0 to TB5

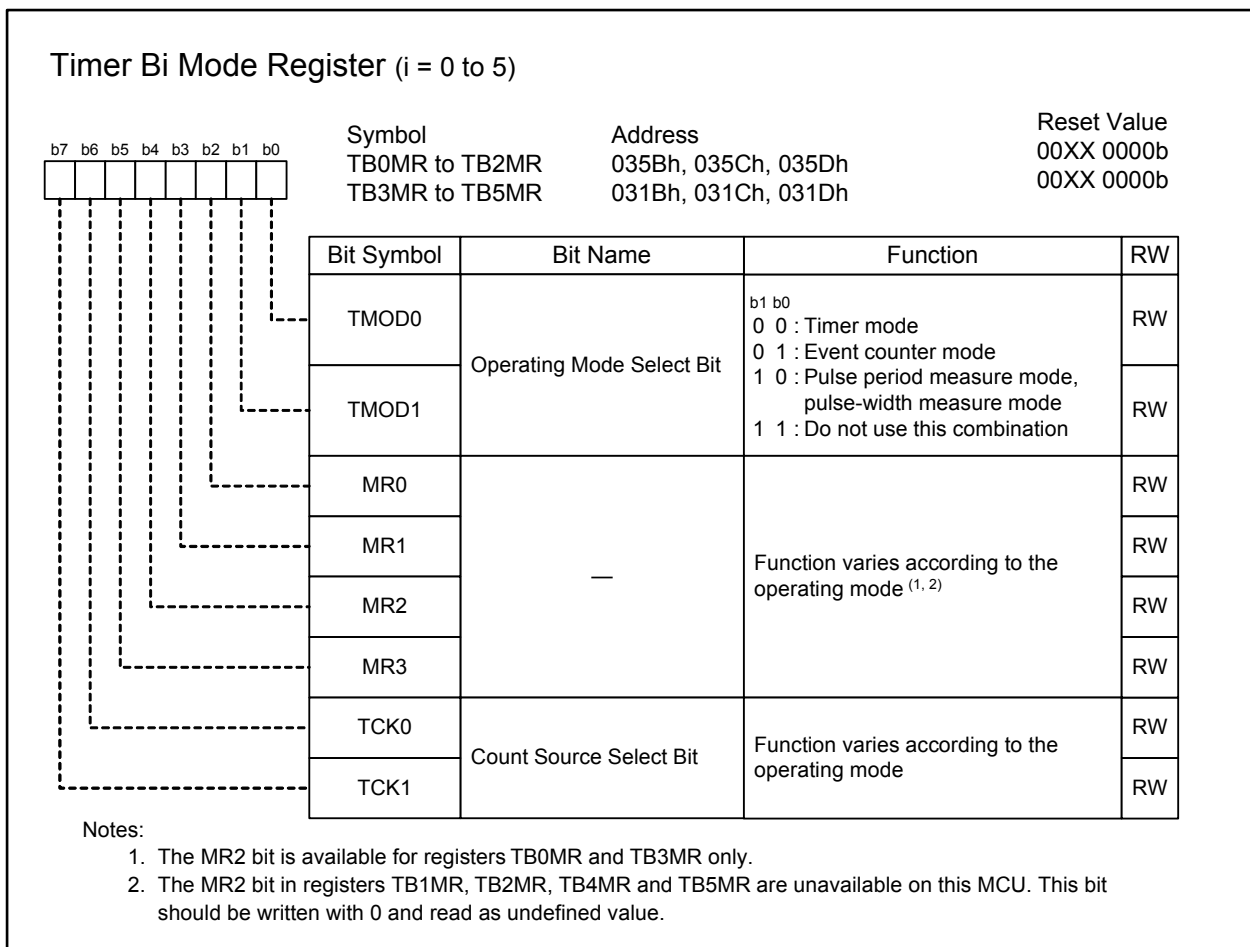


Figure 16.21 Registers TB0MR to TB5MR

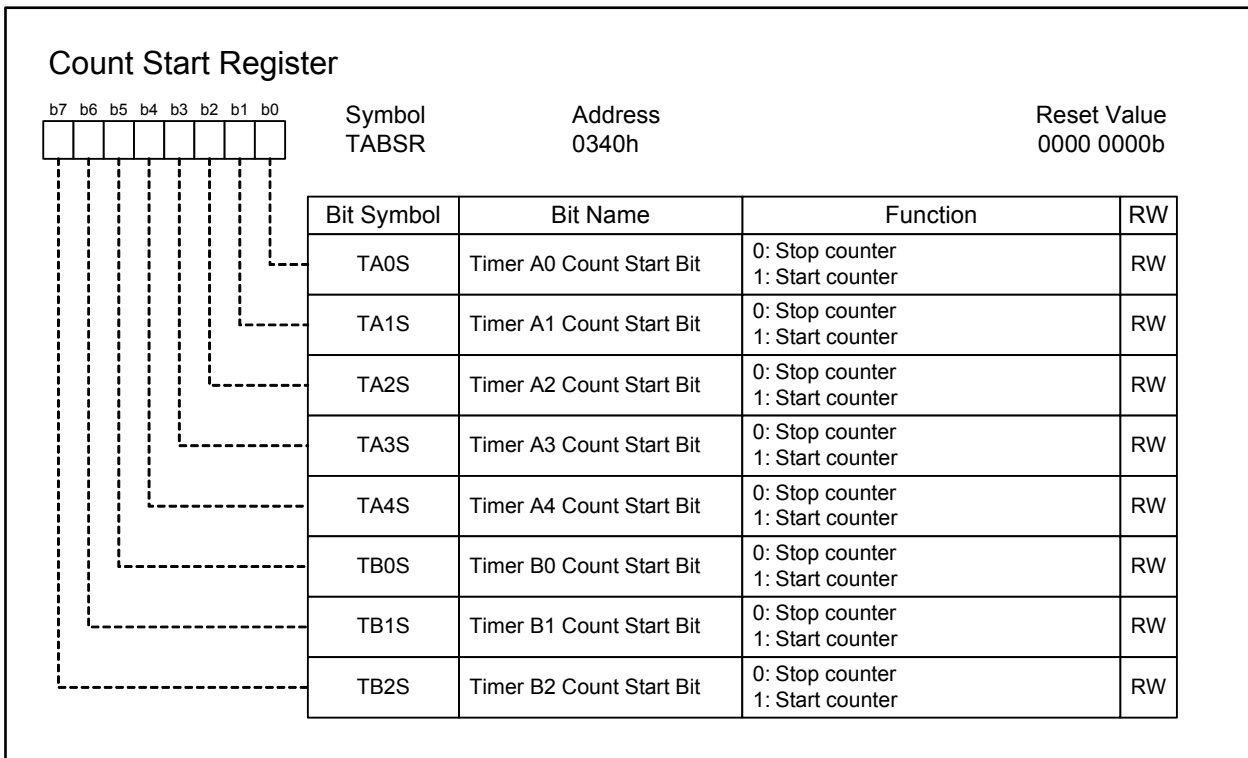


Figure 16.22 TABSR Register

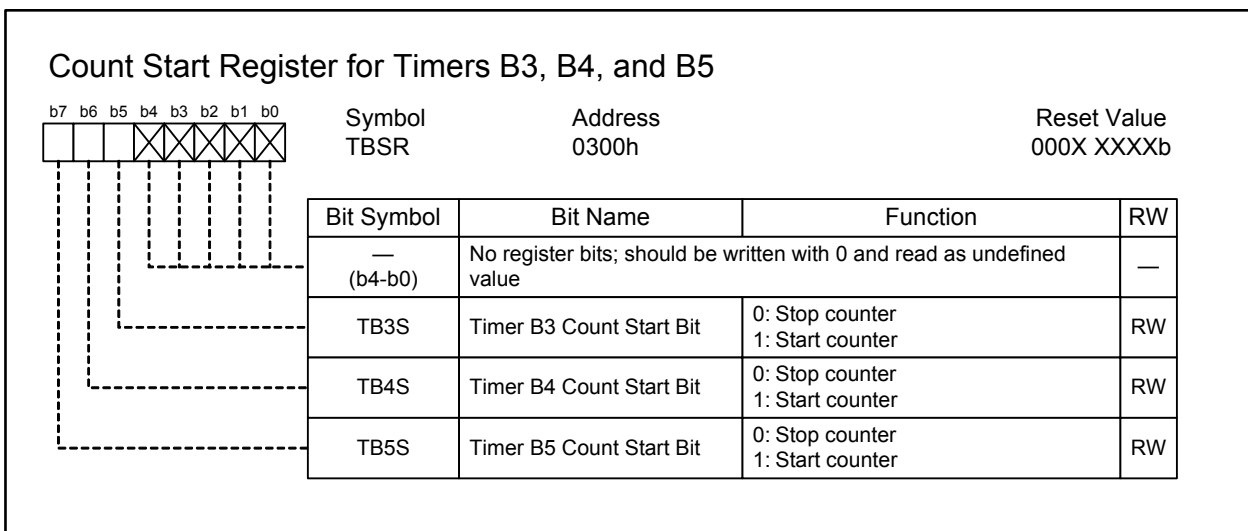


Figure 16.23 TBSR Register

16.2.1 Timer Mode

In timer mode, the timer counts an internally generated count source. Table 16.6 lists specifications of timer mode. Figure 16.24 shows registers TB0MR to TB5MR in this mode.

Table 16.6 Timer Mode Specifications (i = 0 to 5)

Item	Specification
Count sources	f1, f8, f2n, or fC32
Count operations	<ul style="list-style-type: none"> • Decrement • When the timer counter underflows, the reload register value is reloaded into the counter to continue counting
Divide ratio	$\frac{1}{n+1}$ n: TBi register setting value, 0000h to FFFFh
Count start condition	The TBiS bit in the TABSR or TBSR register is 1 (start counter)
Count stop condition	The TBiS bit in the TABSR or TBSR register is 0 (stop counter)
Interrupt request generating timing	When the timer counter underflows
TBiIN pin function	Functions as a programmable I/O port
Read from timer	The TBi register indicates a counter value
Write to timer	<ul style="list-style-type: none"> • While the timer counter is stopped or before the initial count source is input after starting to count, the value written to the TBi register is written to both the reload register and the counter • While the timer counter is running, the value written to the TBi register is written to the reload register (it is transferred to the counter at the next reload timing)

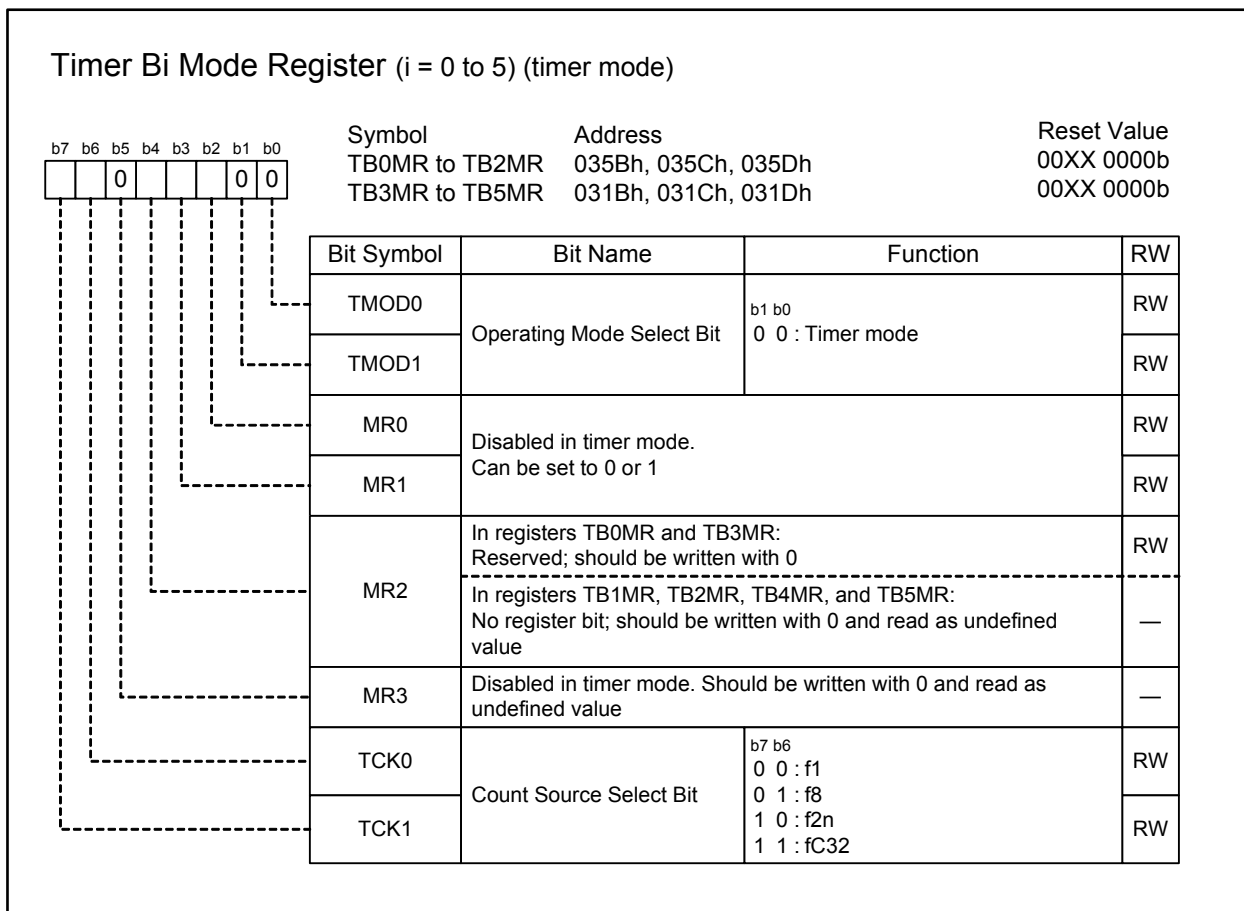


Figure 16.24 Registers TB0MR to TB5MR in Timer Mode

16.2.2 Event Counter Mode

In event counter mode, the timer counts an external signal or the overflow or underflow of other timers. Table 16.7 lists specifications of event counter mode. Figure 16.25 shows the TBiMR register in this mode (i = 0 to 5).

Table 16.7 Event Counter Mode Specifications (i = 0 to 5)

Item	Specification
Count sources	<ul style="list-style-type: none"> External signal applied to the TBiIN pin (valid edge is selectable among the falling edge, the rising edge, or both) The overflow or underflow signal of TBj (j = i - 1; j = 2 if i = 0; or j = 5 if i = 3)
Count operations	<ul style="list-style-type: none"> Decrement When the timer counter underflows, the reload register value is reloaded into the counter to continue counting
Divide ratio	$\frac{1}{n+1}$ n: TBi register setting value, 0000h to FFFFh
Count start condition	The TBiS bit in the TABSR or TBSR register is 1 (start counter)
Count stop condition	The TBiS bit in the TABSR or TBSR register is 0 (stop counter)
Interrupt request generation timing	When the timer counter underflows
TBiIN pin function	Functions as a programmable I/O port or count source input
Read from timer	The TBi register indicates a counter value
Write to timer	<ul style="list-style-type: none"> While the timer counter is stopped or before the initial count source is input after starting to count, the value written to the TBi register is written to both the reload register and the counter While the timer counter is running, the value written to the TBi register is written to the reload register (it is transferred to the counter at the next reload timing)

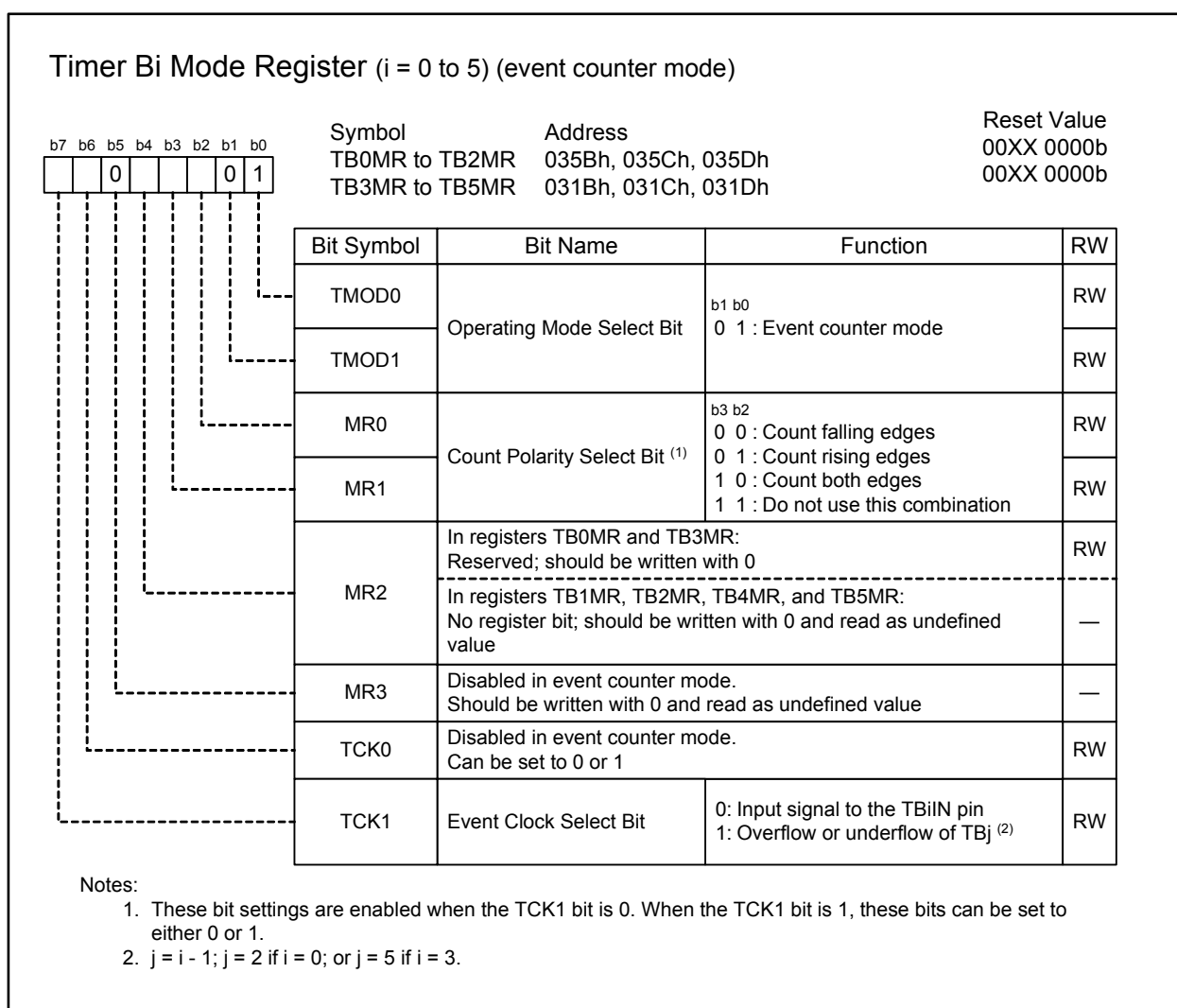


Figure 16.25 Registers TB0MR to TB5MR in Event Counter Mode

16.2.3 Pulse Period/Pulse-width Measure Mode

In pulse period/pulse-width measure mode, the timer measures the pulse period or pulse width of an external signal. Table 16.8 lists specifications of the pulse period/pulse-width measure mode. Figure 16.26 shows registers TB0MR to TB5MR in this mode. Figures 16.27 and 16.28 show an operation example of pulse period measurement and pulse-width measurement, respectively.

Table 16.8 Pulse Period/Pulse-width Measure Mode Specifications (i = 0 to 5)

Item	Specification
Count sources	f1, f8, f2n, or fC32
Count operations	<ul style="list-style-type: none"> • Increment • The counter value is transferred to the reload register on the valid edge of a pulse to be measured, then it is set to 0000h to resume counting
Count start condition	The TBiS bit in the TABSR or TBSR register is 1 (start counter)
Count stop condition	The TBiS bit in the TABSR or TBSR register is 0 (stop counter)
Interrupt request generating timing	<ul style="list-style-type: none"> • On the valid edge of a pulse to be measured ⁽¹⁾ • When the timer counter overflows (when the MR3 bit in the TBIMR register becomes 1 (overflow)) ⁽²⁾
TBiIN pin function	A pulse input to be measured
Read from timer	The TBi register indicates a reload register value (measurement results) ⁽³⁾
Write to timer	The value written to the TBi register is written to neither the reload register nor the counter

Notes:

1. No interrupt request is generated when the pulse to be measured is applied on the initial valid edge after the timer counter starts.
2. While the TBiS bit is 1 (start counter), after the MR3 bit becomes 1 (overflow) and at least one count source cycle has elapsed, a write operation to the TBIMR register sets the MR3 bit to 0 (no overflow).
3. The TBi register indicates an undefined value until the pulse to be measured is applied on the second valid edge after the timer counter starts.

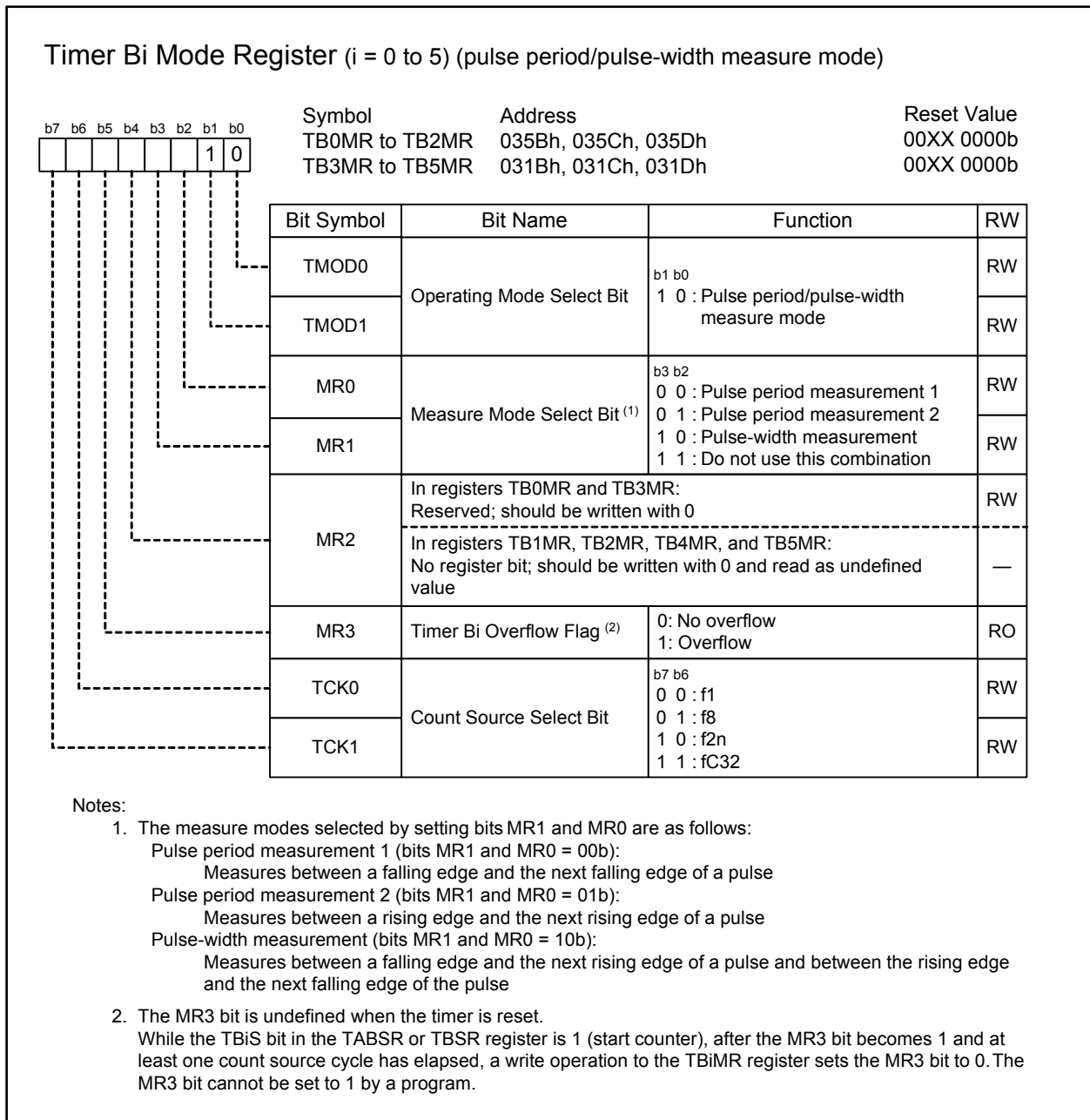


Figure 16.26 Registers TB0MR to TB5MR in Pulse Period/Pulse-width Measure Mode

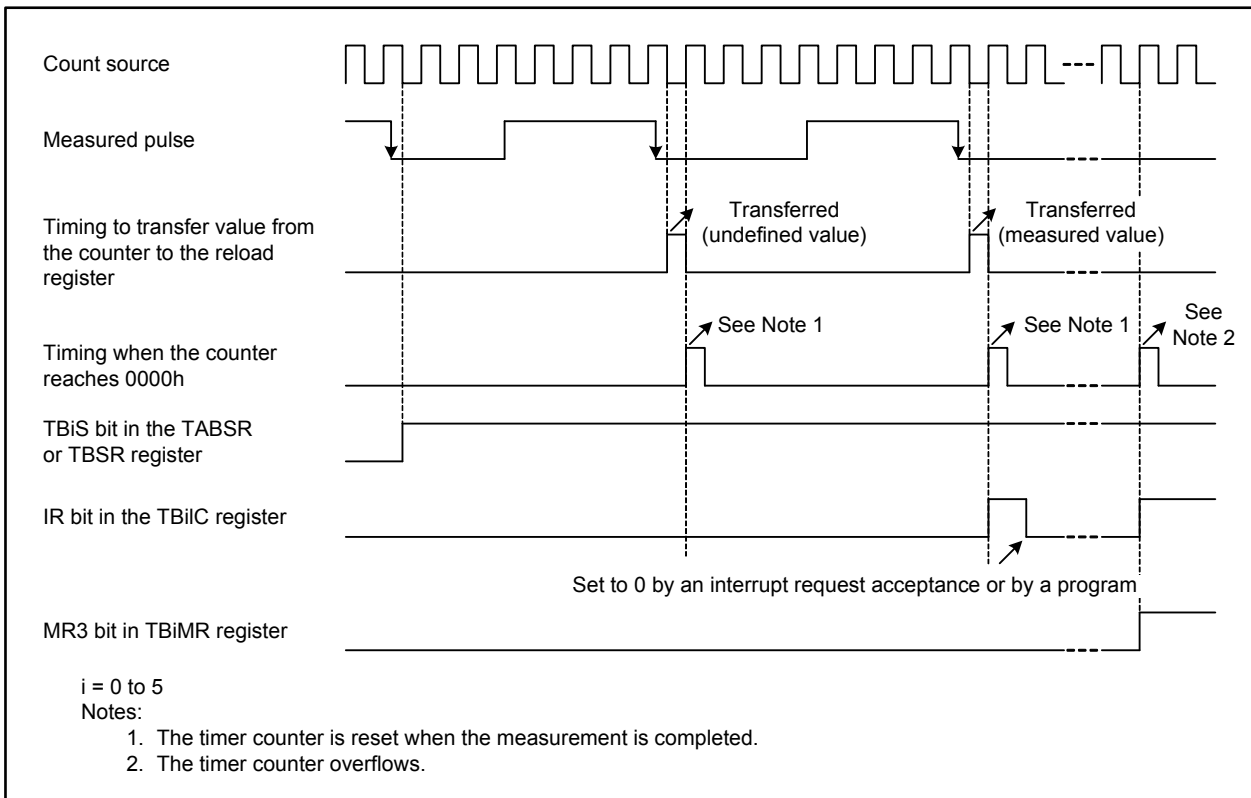


Figure 16.27 Operation Example in Pulse Period Measurement

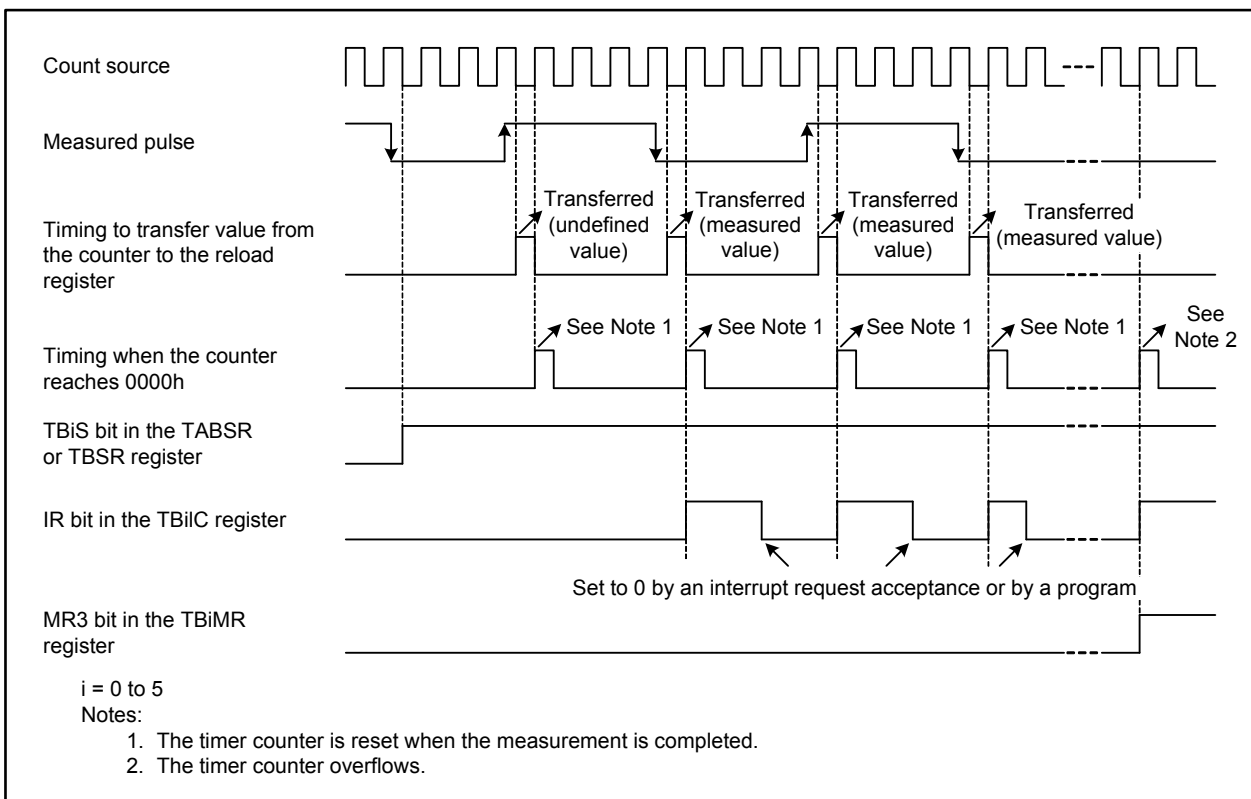


Figure 16.28 Operation Example in Pulse-width Measurement

16.3 Notes on Timers

16.3.1 Timer A and Timer B

All timers are stopped after a reset. To restart timers, configure parameters such as operating mode, count source, and counter value, then set the TAI_S bit or TB_JS bit in the TABSR or TBSR register to 1 (count starts) (i = 0 to 4; j = 0 to 5).

The following registers and bits should be set while the TAI_S bit or TB_JS bit is 0 (count stops):

- Registers TAI_{MR} and TB_JMR
- UDF register
- Bits TAZIE, TA0TGL, and TA0TGH in the ONSF register
- TRGSR register

16.3.2 Timer A

16.3.2.1 Timer Mode

- While the timer counter is running, the TAI register indicates a counter value at any given time. However, FFFFh is read while reloading is in progress. A set value is read if the TAI register is set while the timer counter is stopped.

16.3.2.2 Event Counter Mode

- While the timer counter is running, the TAI register indicates a counter value at any given time. However, FFFFh is read if the timer counter underflows or 0000h if overflows while reloading is in progress. A set value is read if the TAI register is set while the timer counter is stopped.

16.3.2.3 One-shot Timer Mode

- If the TAI_S bit in the TABSR register is set to 0 (count stops) while the timer counter is running, the following operations are performed:
 - The timer counter stops and the setting value of the TAI register is reloaded.
 - A low signal is output at the TAI_{OUT} pin.
 - The IR bit in the TAI_{IC} register becomes 1 (interrupts requested) after one CPU clock cycle.
- The one-shot timer is operated by an internal count source. When the trigger is an input to the TAI_{IN} pin, the signal is output with a maximum one count source clock delay after a trigger input to the TAI_{IN} pin.
- The IR bit becomes 1 by any of the settings below. To use the timer Ai interrupt, set the IR bit to 0 after one of the settings below is done:
 - Select one-shot timer mode after a reset.
 - Switch operating modes from timer mode to one-shot timer mode.
 - Switch operating modes from event counter mode to one-shot timer mode.
- If a retrigger occurs while counting, the timer counter decrements by one, reloads the setting value of the TAI register, and then continues counting. To generate a retrigger while counting, wait at least one count source cycle after the last trigger is generated.
- When an external trigger input is selected to start counting in timer A one-shot mode, do not provide an external retrigger for 300 ns before the timer counter reaches 0000h. Otherwise, it may stop counting.

16.3.2.4 Pulse-width Modulation Mode

- The IR bit becomes 1 by any of the settings below. To use the timer Ai interrupt, set the IR bit to 0 after one of the settings below is done (i = 0 to 4):
 - Select pulse-width modulation mode after a reset.
 - Switch operating modes from timer mode to pulse-width modulation mode.
 - Switch operating modes from event counter mode to pulse-width modulation mode.

- If the TAI_S bit in the TABSR register is set to 0 (count stops) while PWM pulse is output, the following operations are performed:
 - The timer counter stops.
 - The output level at the TAI_{OUT} pin changes from high to low. The IR bit becomes 1.
 - When a low signal is output at the TAI_{OUT} pin, it does not change. The IR bit does not change, either.

16.3.3 Timer B

16.3.3.1 Timer Mode and Event Counter Mode

- While the timer counter is running, the TBJ register indicates a counter value at any given time (j = 0 to 5). However, FFFFh is read while reloading is in progress. When a value is set to the TBJ register while the timer counter is stopped, if the TBJ register is read before the count starts, the set value is read.

16.3.3.2 Pulse Period/Pulse-width Measure Mode

- While the TBJs bit in the TABSR or TBSR register is 1 (start counter), after the MR3 bit becomes 1 (overflow) and at least one count source cycle has elapsed, a write operation to the TBJMR register sets the MR3 bit to 0 (no overflow).
- Use the IR bit in the TBJIC register to detect overflow. The MR3 bit is used only to determine an interrupt request source within the interrupt handler.
- The counter value is undefined when the timer counter starts. Therefore, the timer counter may overflow before a measured pulse is applied on the initial valid edge and cause a timer Bj interrupt request to be generated.
- When the measured pulse is applied on the initial valid edge after the timer counter starts, an undefined value is transferred to the reload register. At this time, a timer Bj interrupt request is not generated.
- The IR bit may become 1 (interrupt requested) by changing bits MR1 and MR0 in the TBJMR register after the timer counter starts. However, if the same value is rewritten to bits MR1 and MR0, the IR bit does not change.
- Pulse width is continuously measured in pulse-width measure mode. Whether the measurement result is high-level width or not is determined by a program.
- When an overflow occurs at the same time a pulse is applied on the valid edge, this pulse is not recognized since an interrupt request is generated only once. Do not let an overflow occur in pulse period measure mode.
- In pulse-width measure mode, determine whether an interrupt source is a pulse applied on the valid edge or an overflow by reading the port level in the timer Bj interrupt handler.

17. Three-phase Motor Control Timers

A three-phase motor driving waveform can be output using timers A1, A2, A4, and B2. The three-phase motor control timers are enabled by setting the INV02 bit in the INVC0 register to 1. Timer B2 is used for carrier wave control, and timers A1, A2, and A4 for three-phase PWM output (U, \bar{U} , V, \bar{V} , W, and \bar{W}) control. Table 17.1 lists the specifications of the three-phase motor control timers and Figure 17.1 shows its block diagram. Figures 17.2 to 17.6 show registers associated with this function.

Table 17.1 Specifications for Three-phase Motor Control Timers

Item	Specification
Three-phase PWM waveform output pins	Six pins: U, \bar{U} , V, \bar{V} , W, and \bar{W}
Forced cutoff (1)	A low input to the $\overline{\text{NMI}}$ pin
Timers	Timers A4, A1, and A2 are used in one-shot timer mode: Timer A4 is used for U- and \bar{U} -phase waveform control Timer A1 is used for V- and \bar{V} -phase waveform control Timer A2 is used for W- and \bar{W} -phase waveform control Timer B2 is used in timer mode Carrier wave cycle control Dead time timer (three 8-bit timers share a reload register): Dead time control
Output waveforms	Triangular wave modulation and sawtooth wave modulation • Output of a high or a low waveform for one cycle • Separately settable levels of high side and low side
Carrier wave periods	Triangular wave modulation: count source $\times (m + 1) \times 2$ Sawtooth wave modulation: count source $\times (m + 1)$ m: TB2 register setting value from 0000h to FFFFh Count source: f1, f8, f2n, or fC32
Three-phase PWM output width	Triangular wave modulation: count source $\times n \times 2$ Sawtooth wave modulation: count source $\times n$ n: Setting value of registers TA4, TA1, and TA2 (registers TA4, TA41, TA1, TA11, TA2, and TA21 when the INV11 bit in the INVC1 register is 1) from 0001h to FFFFh Count source: f1, f8, f2n, or fC32
Dead time (width)	Count source $\times p$ or no dead time p: DTT register setting value from 01h to FFh Count source: f1 or f1 divided by 2
Active level	Selectable either active high or active low
Simultaneous conduction prevention	Function to detect simultaneous turn-on signal outputs, function to disable signal output when simultaneous turn-on signal outputs are detected
Interrupt frequency	Selectable from one through 15 time-carrier wave cycle-to-cycle basis for the timer B2 interrupt

Note:

1. Forced cutoff by a signal input to the $\overline{\text{NMI}}$ pin can be performed when the PM24 bit in the PM2 register is 1 (NMI enabled), the INV02 bit in the INVC0 register is 1 (three-phase motor control timers used), and the INV03 bit is 1 (three-phase motor control timer output enabled).

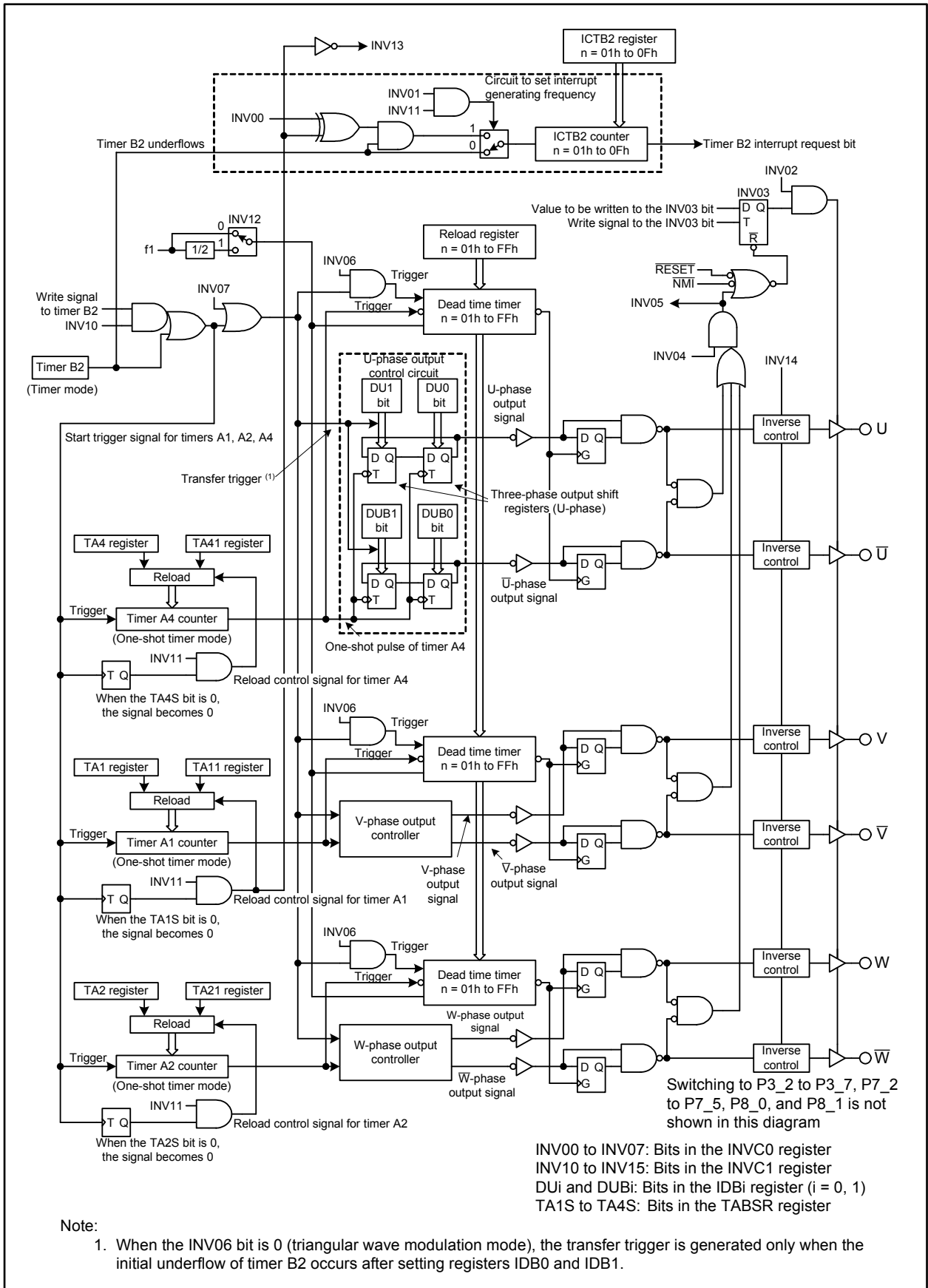


Figure 17.1 Block Diagram for Three-phase Motor Control Timers

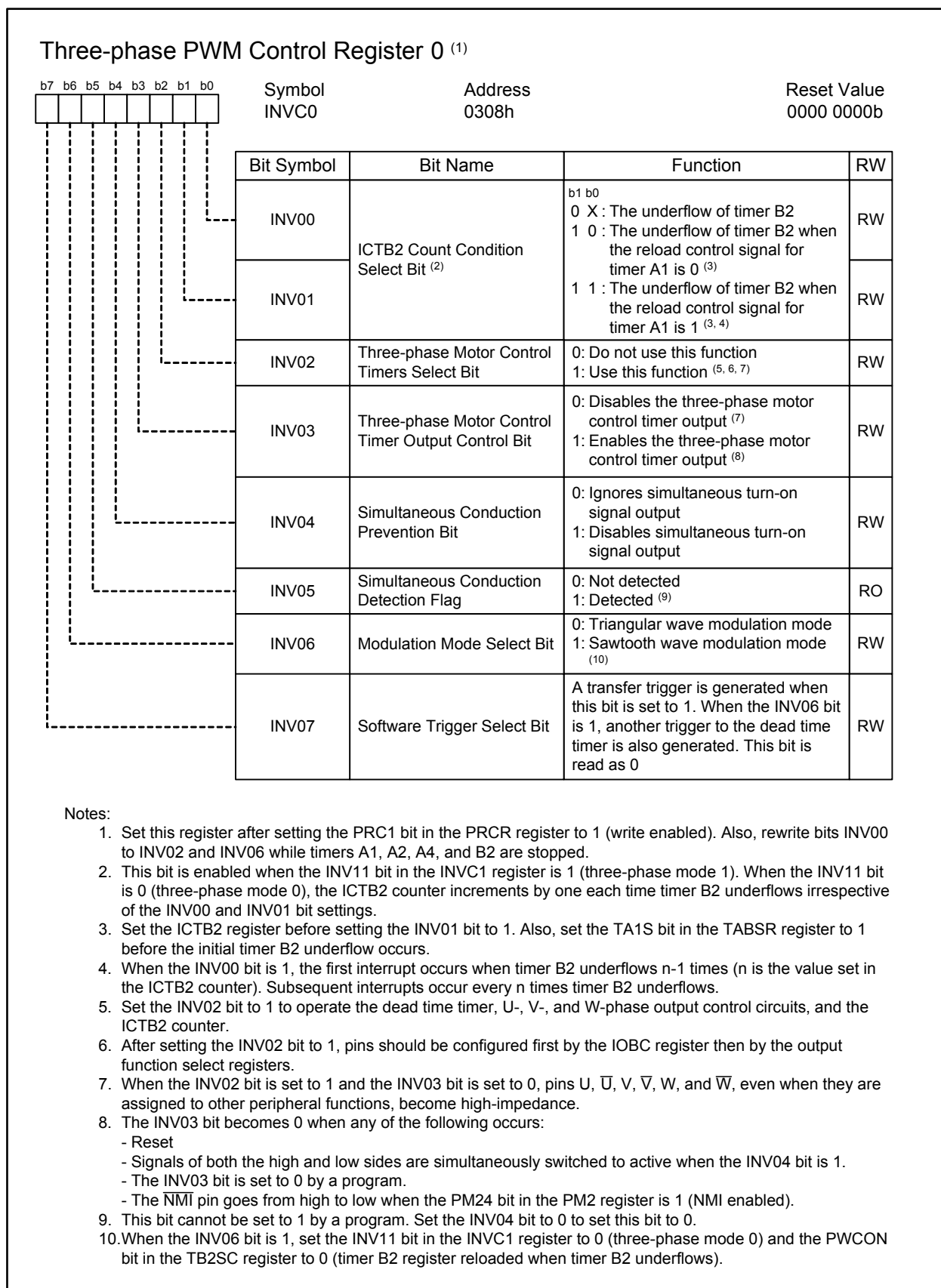


Figure 17.2 INVC0 Register

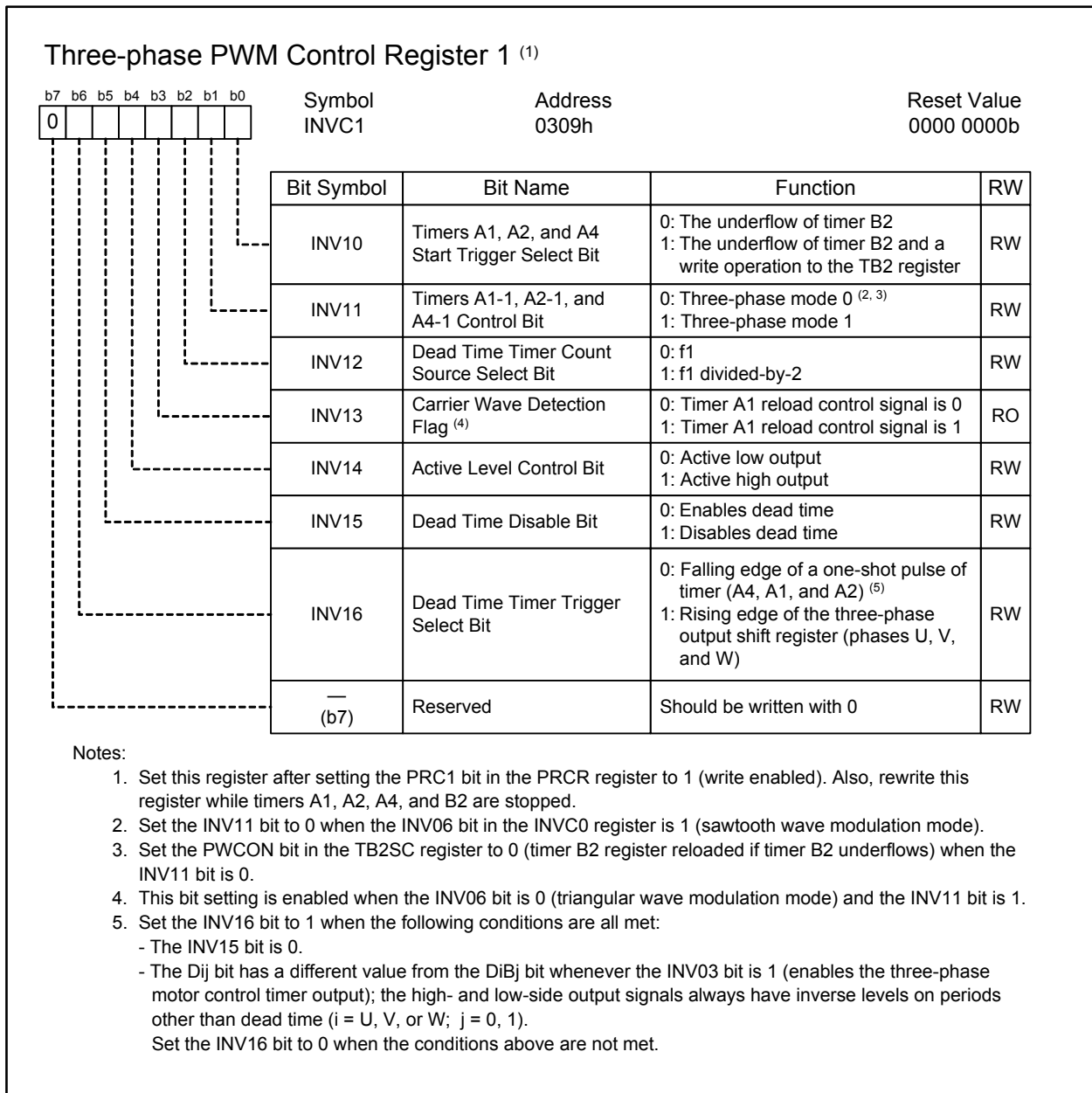


Figure 17.3 INVC1 Register

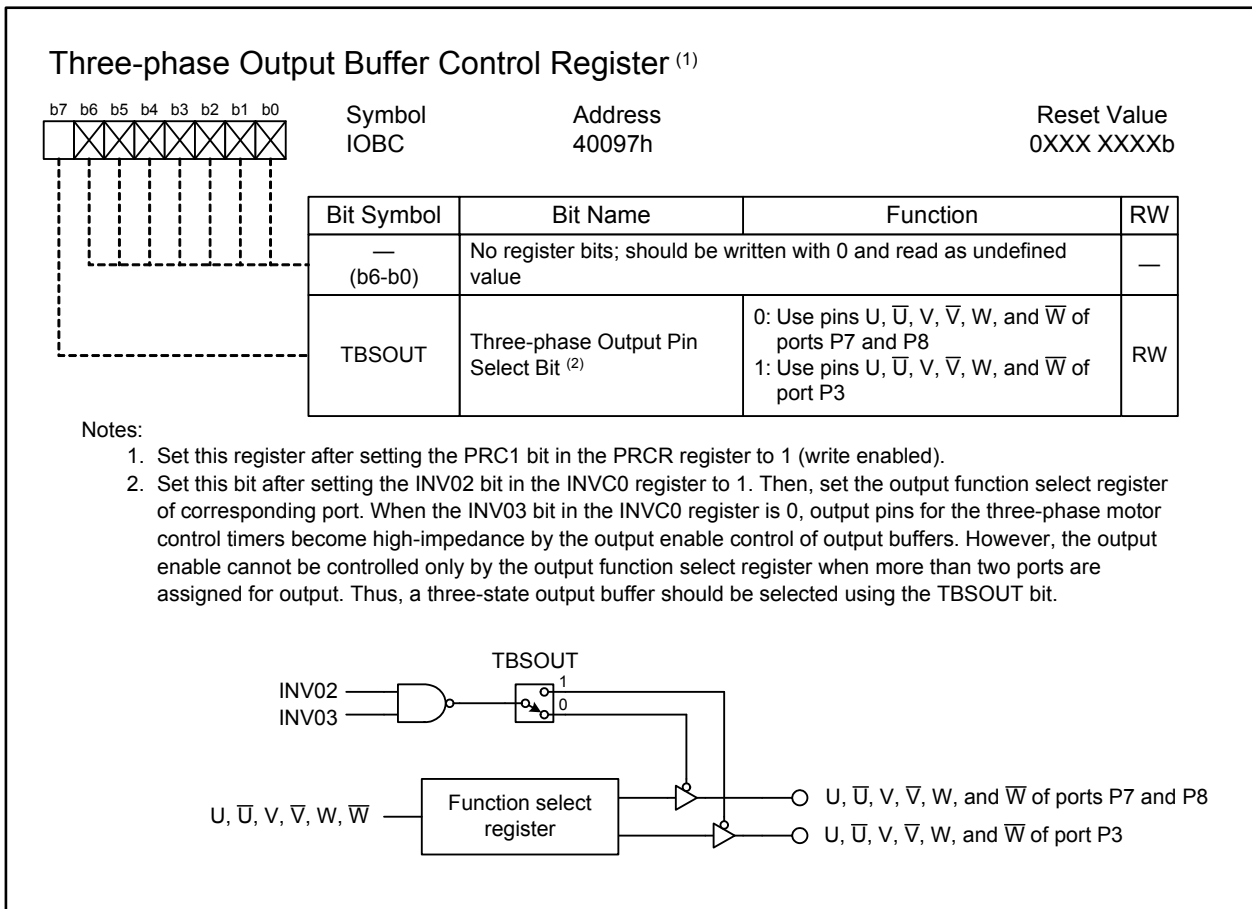


Figure 17.4 IOBC Register

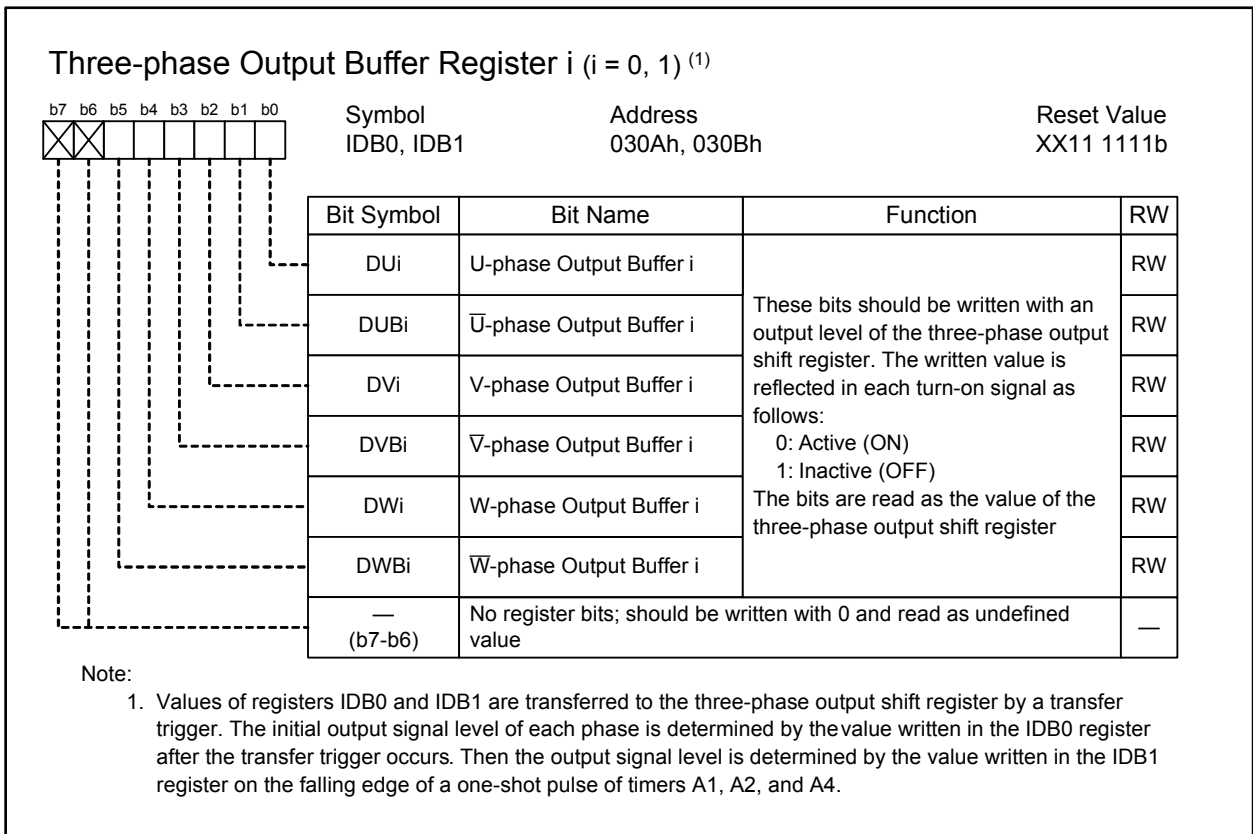


Figure 17.5 Registers IDB0 and IDB1

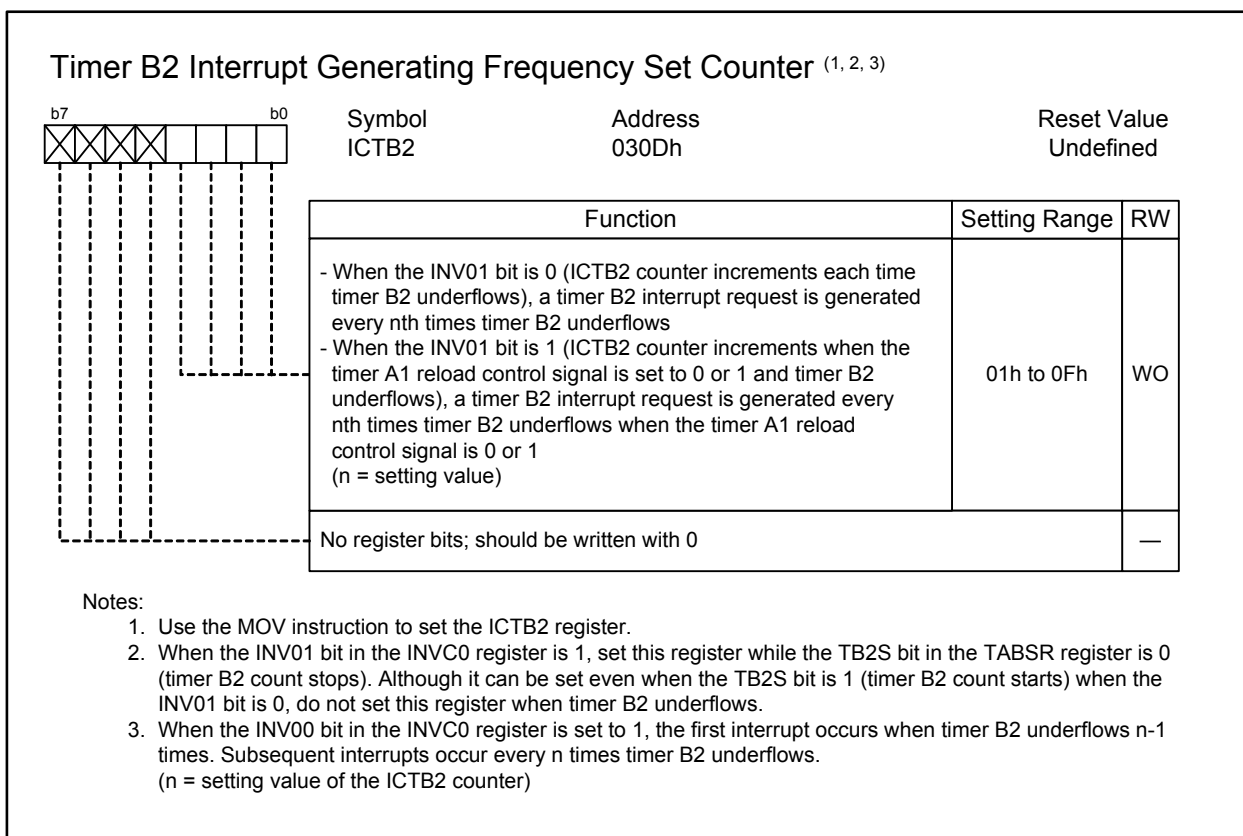


Figure 17.6 ICTB2 Register

17.1 Modulation Modes of Three-phase Motor Control Timers

The three-phase motor control timers support two modulation modes: triangular wave modulation mode and sawtooth wave modulation mode. The triangular wave modulation mode has two modes: three-phase mode 0 and three-phase mode 1. Table 17.2 lists bit settings and characteristics of each mode.

Table 17.2 Modulation Modes

Item	Triangular Wave Modulation Mode		Sawtooth Wave Modulation Mode
	Three-phase mode 0	Three-phase mode 1	(Three-phase mode 0)
Bit settings	INV06 is 0, INV11 is 0, PWCON is 0	INV06 is 0, INV11 is 1	INV06 is 1, INV11 is 0, PWCON is 0
Waveform	Triangular wave		Sawtooth wave
Registers TA11, TA21, and TA41	Not used	Used	Not used
Timing to transfer data from registers IDB0 and IDB1 to the three-phase output shift register	Only once when a transfer trigger ⁽¹⁾ occurs after setting registers IDB0 and IDB1		Whenever a transfer trigger ⁽¹⁾ occurs
Timing to trigger the dead time timer when the INV16 bit is 0	On the falling edge of a one-shot pulse of timers A1, A2, and A4		When a transfer trigger occurs, or on the falling edge of a one-shot pulse of timers A1, A2, and A4
Bits INV00 and INV01 in the INVC0 register	Disabled. The ICTB2 counter increments each time timer B2 underflows, irrespective of the INV00 and INV01 bit settings	Enabled	Disabled. The ICTB2 counter increments each time timer B2 underflows, irrespective of the INV00 and INV01 bit settings
INV13 bit	Disabled	Enabled	Disabled

Note:

1. The transfer trigger is a timer B2 underflow, a write operation to the INV07 bit, or a write operation to the TB2 register when the INV10 bit is 1.

17.2 Timer B2

Timer B2, which operates in timer mode, is used for carrier wave control in the three-phase motor control timers.

Figures 17.7 and 17.8 show registers TB2 and TB2MR in this function, respectively. Figure 17.9 shows the TB2SC register which switches timing to change the carrier wave frequency in three-phase mode 1.

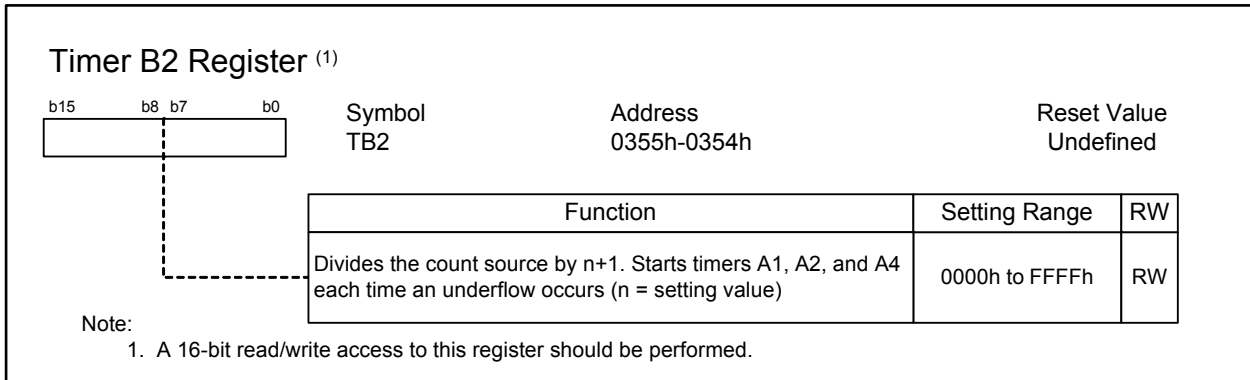


Figure 17.7 TB2 Register When Using Three-phase Motor Control Timers

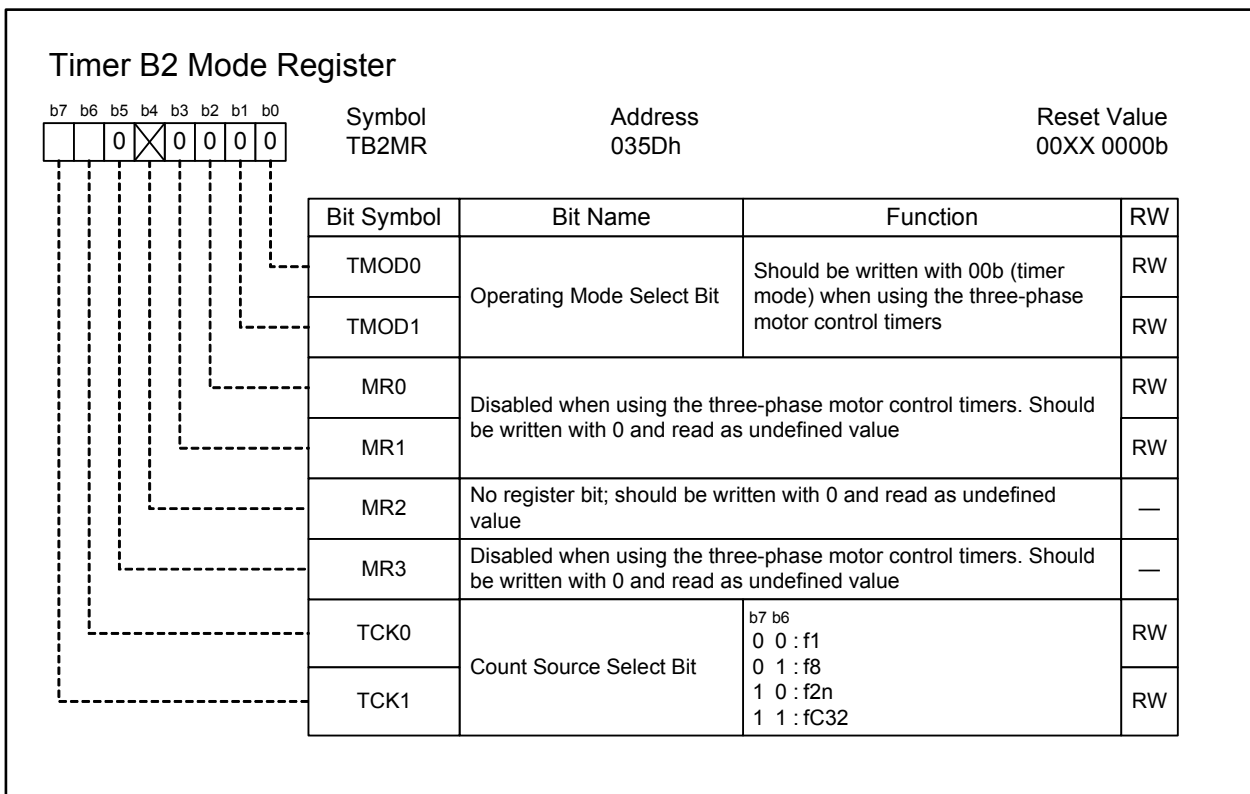


Figure 17.8 TB2MR Register When Using Three-phase Motor Control Timers

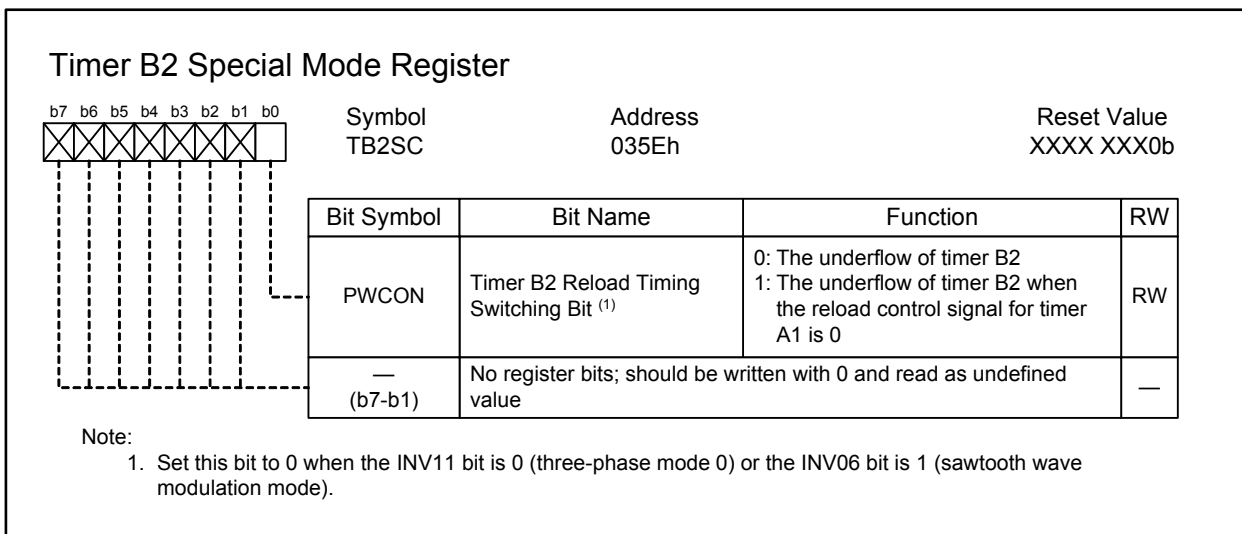


Figure 17.9 TB2SC Register

17.3 Timers A4, A1, and A2

Timers A4, A1, and A2 are used for three-phase PWM output (U, \bar{U} , V, \bar{V} , W, and \bar{W}) control when using the three-phase motor control timers.

These timers should be operated in one-shot timer mode. Every time timer B2 underflows, a trigger is input to timers A4, A1, and A2 to generate a one-shot pulse. If the values of registers TA4, TA1, and TA2 are rewritten every time a timer B2 interrupt occurs, the duty cycle of the PWM waveform can be varied. In three-phase mode 1, the value of registers TAI and TAI-1 is alternately reloaded to the counter at each timer B2 interrupt, which halves the timer B2 interrupt frequency ($i = 4, 1, 2$).

Figure 17.10 shows registers TA1, TA2, TA4, TA11, TA21, and TA41 in the three-phase motor control timers. Figure 17.11 shows registers TA1MR, TA2MR, and TA4MR in this function. Figures 17.12 and 17.13 show registers TRGSR and TABSR, respectively, in this function.

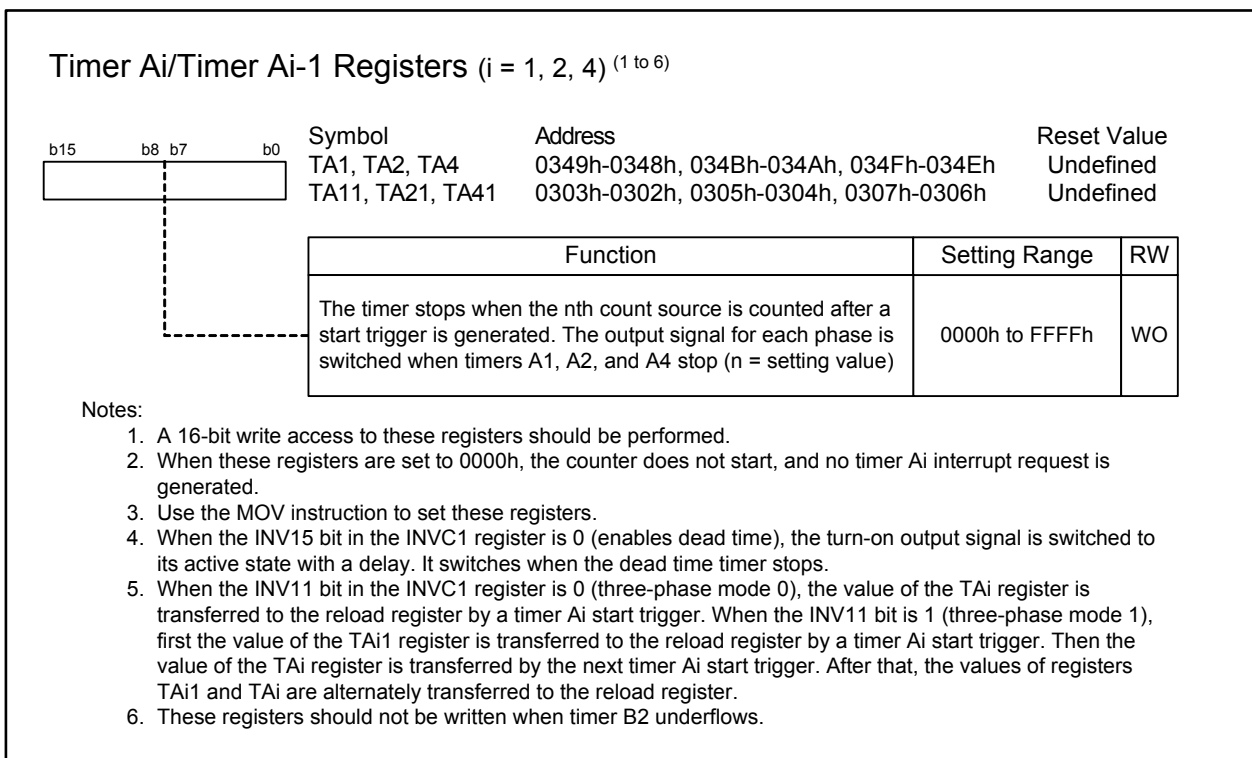


Figure 17.10 Registers TA1, TA2, TA4, TA11, TA21, and TA41

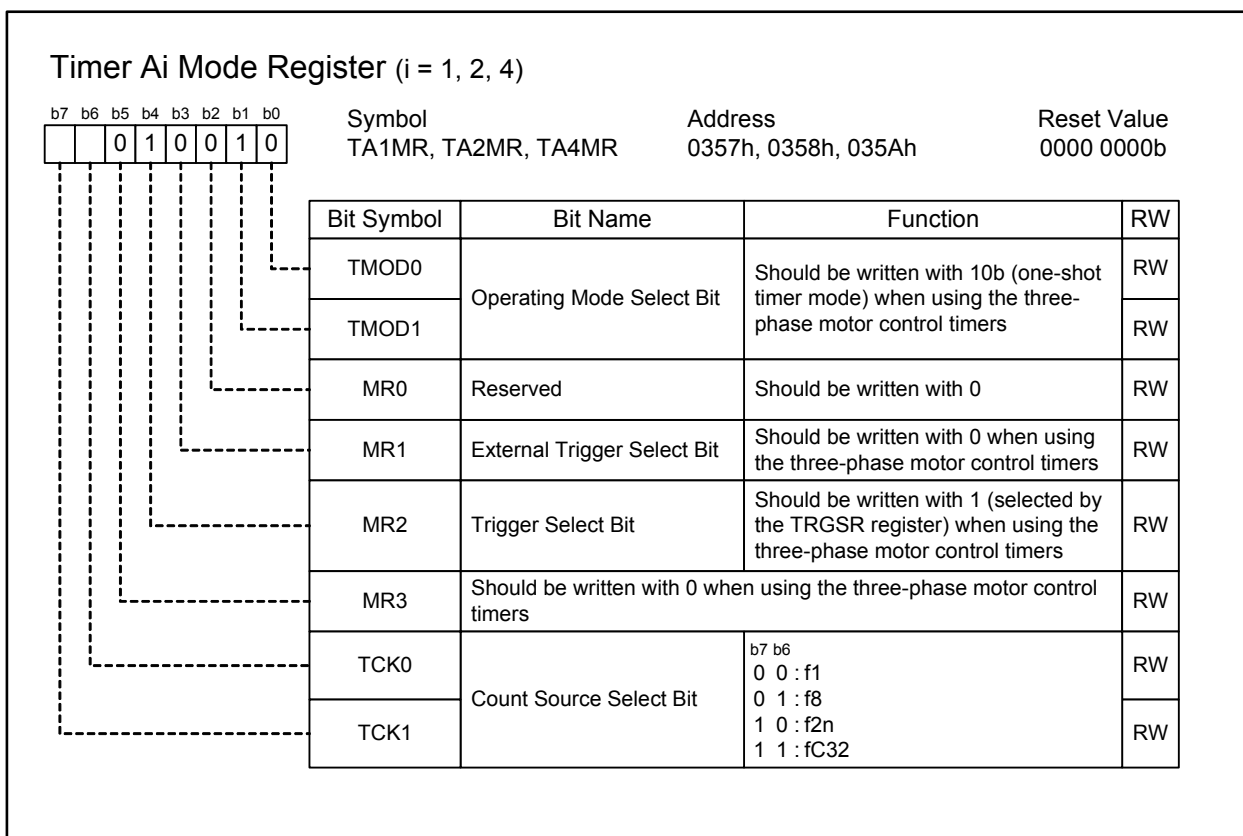


Figure 17.11 Registers TA1MR, TA2MR, and TA4MR When Using Three-phase Motor Control Timers

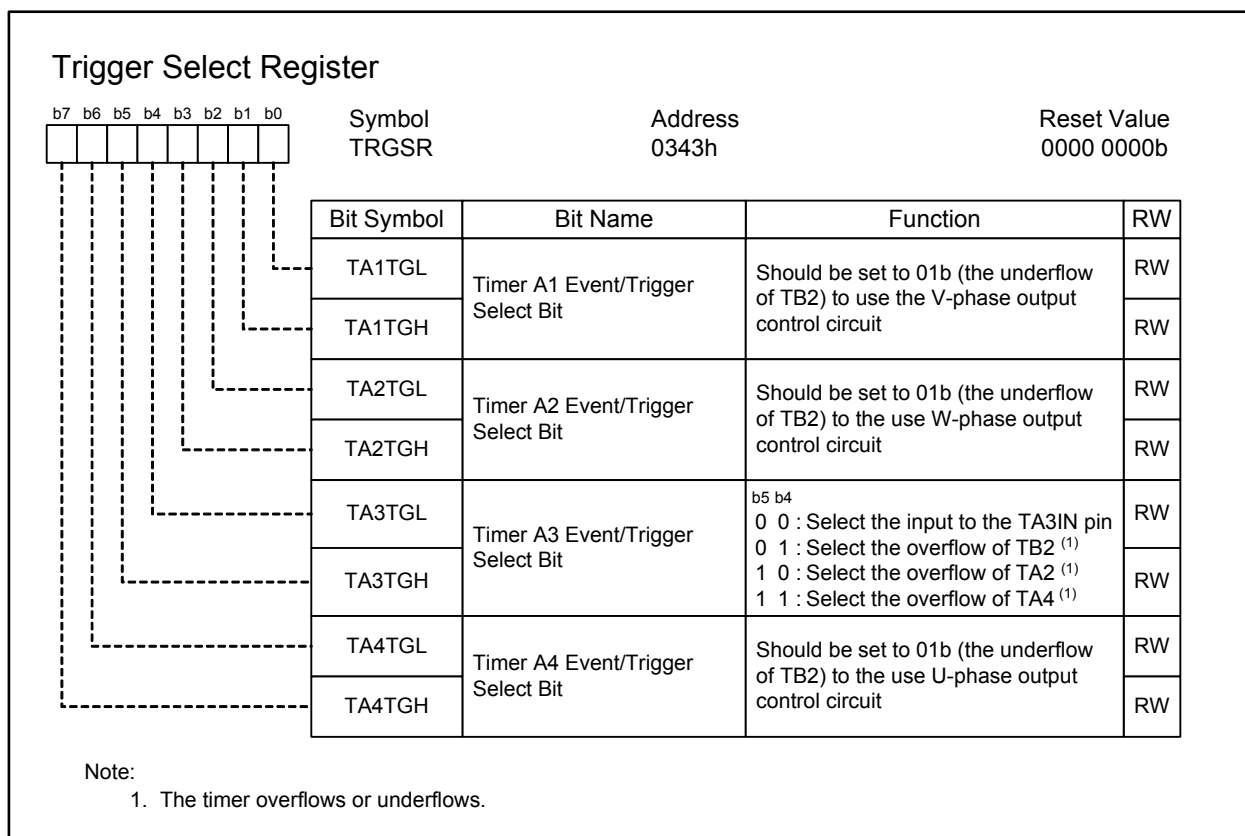


Figure 17.12 TRGSR Register in Three-phase Motor Control Timers

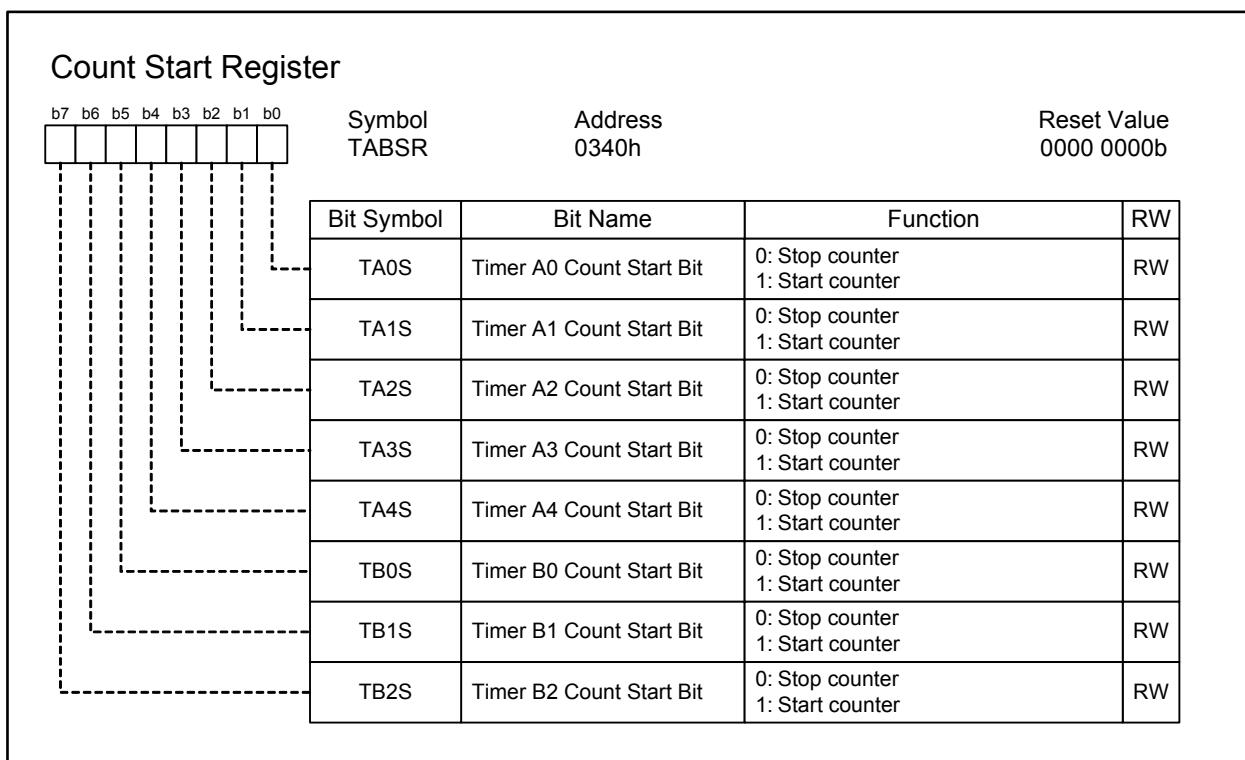


Figure 17.13 TABSR Register

17.4 Simultaneous Conduction Prevention and Dead Time Timer

The three-phase motor control timers offer two ways to avoid shoot-through, which occurs when high-side and low-side transistors are simultaneously turned on.

One is “simultaneous turn-on signal output disable function”. This function prevents high-side and low-side transistors from being inadvertently switched to active due to events like program errors. The other is by the use of dead time timers. A dead time timer delays the turn-on of one transistor in order to ensure that an adequate time (the dead time) passes after the other is turned off.

To disable simultaneous turn-on output signals, the INV04 bit in the INVC0 register should be set to 1. If outputs for any pair of phases (U and \bar{U} , V and \bar{V} , or W and \bar{W}) are simultaneously switched to an active state, every three-phase motor control output pin becomes high-impedance. Figure 17.14 shows an example of output waveform when simultaneous turn-on signal output is disabled.

To enable the dead time timer, the INV15 bit in the INVC1 register should be set to 0. The DTT register determines the dead time. Figure 17.15 shows the DTT register and Figure 17.16 shows an example of output waveform on using dead time timer.

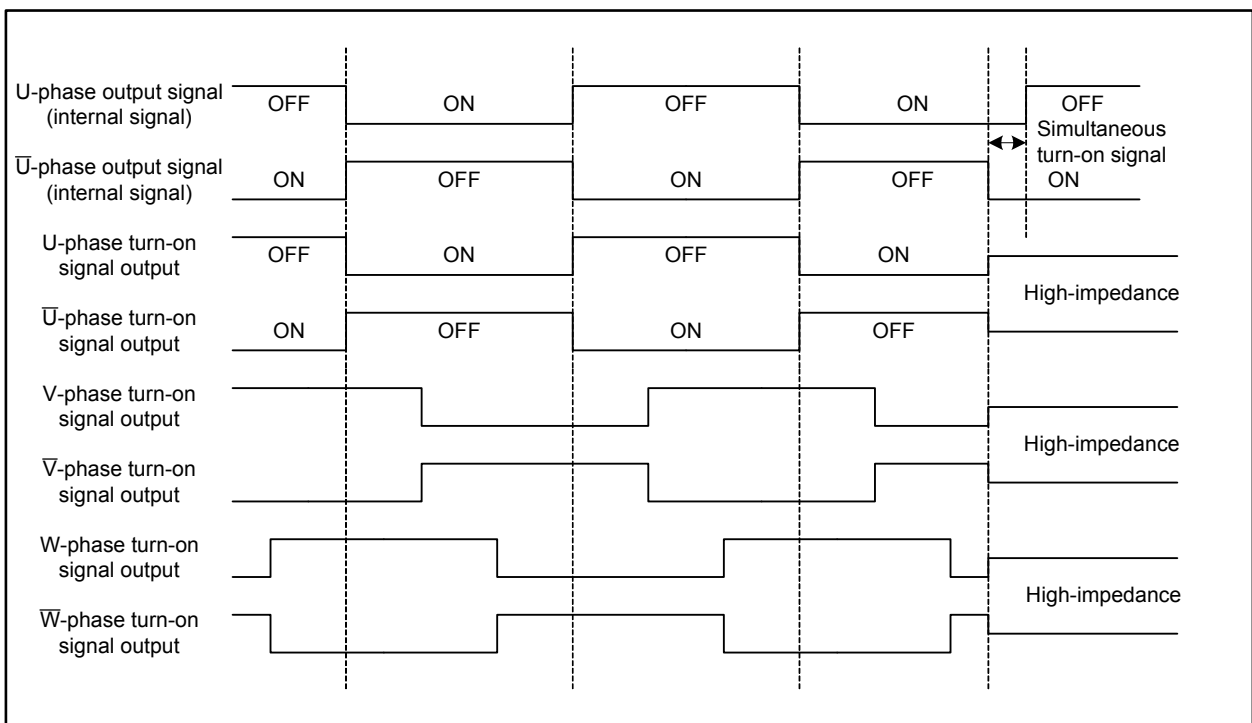


Figure 17.14 Output Waveform When Simultaneous Turn-on Signal Output is Disabled

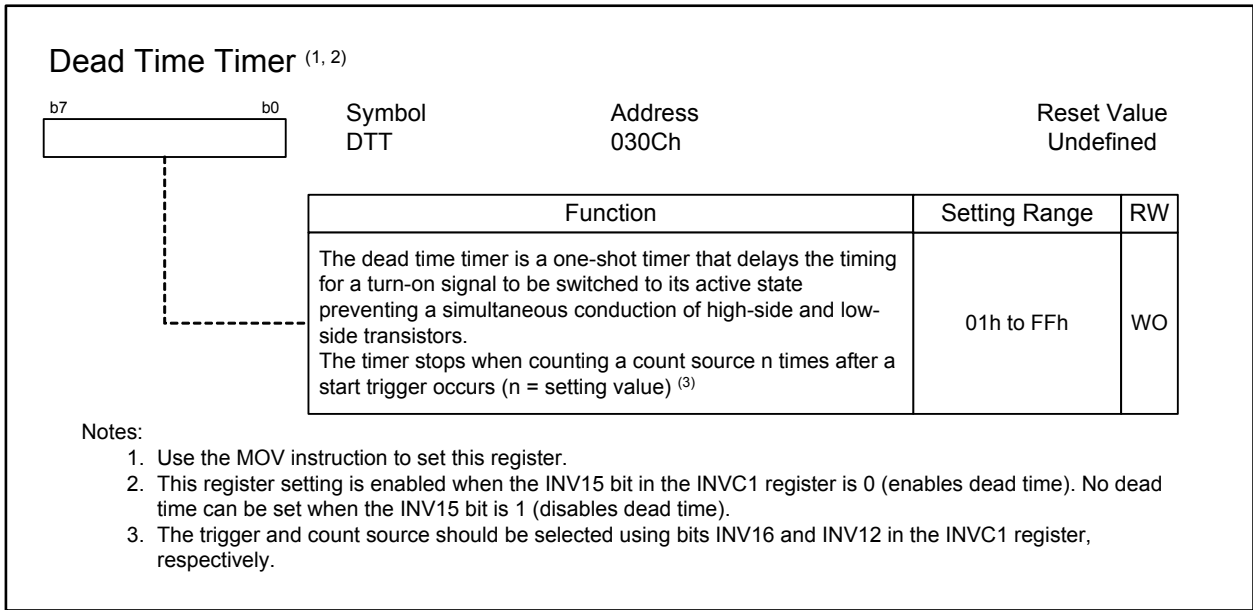


Figure 17.15 DTT Register

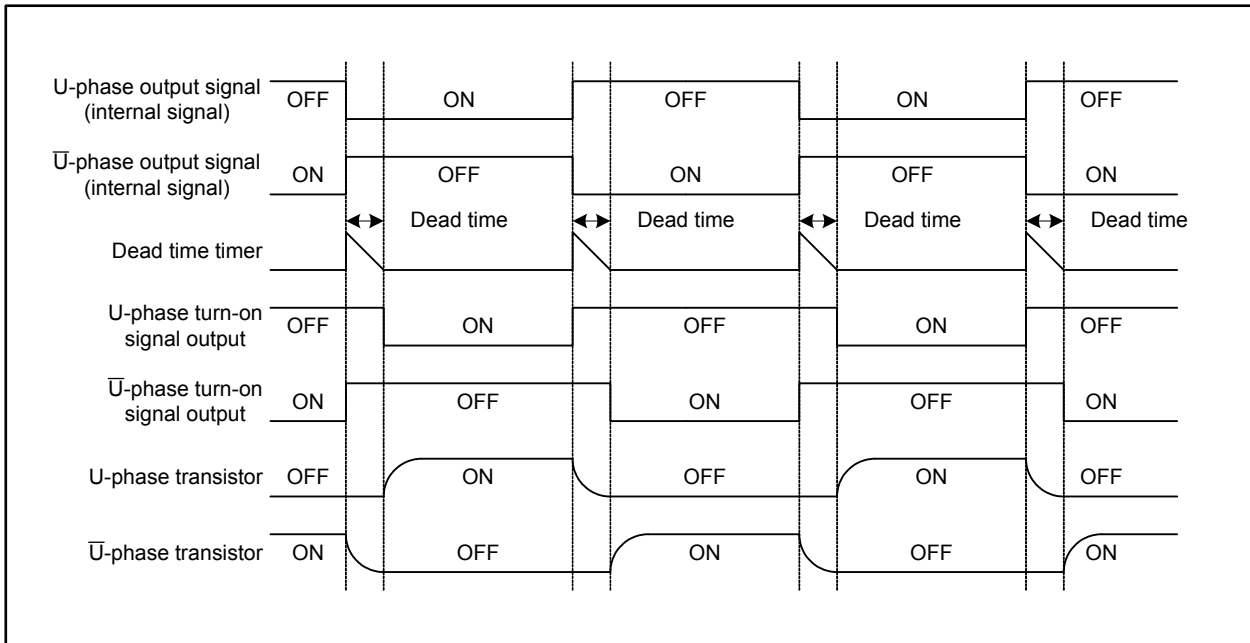


Figure 17.16 Output Waveform When Using Dead Time Timer

17.5 Three-phase Motor Control Timer Operation

Figures 17.17 and 17.18 show an operation example of triangular wave modulation and sawtooth wave modulation, respectively.

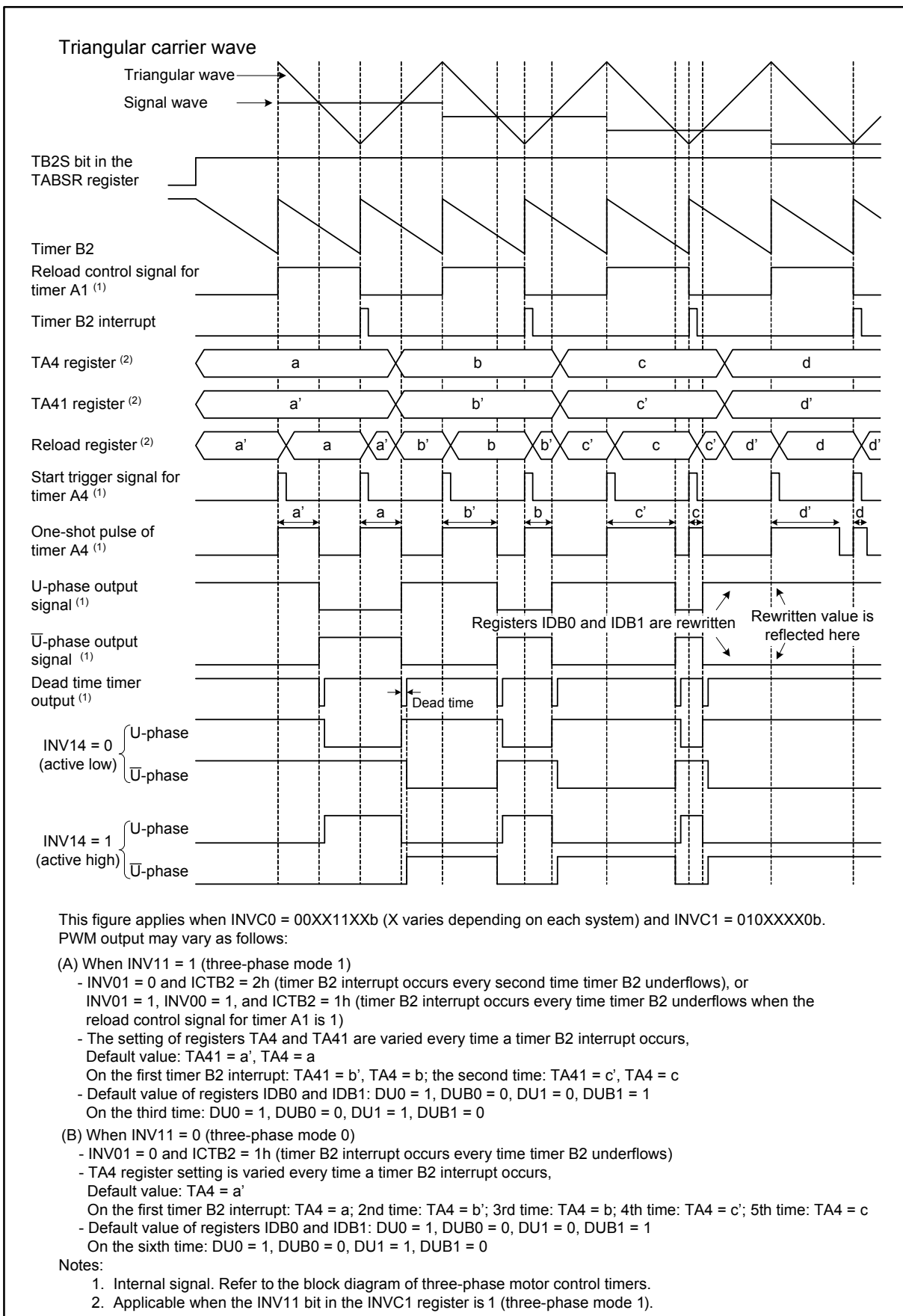


Figure 17.17 Triangular Wave Modulation Operation

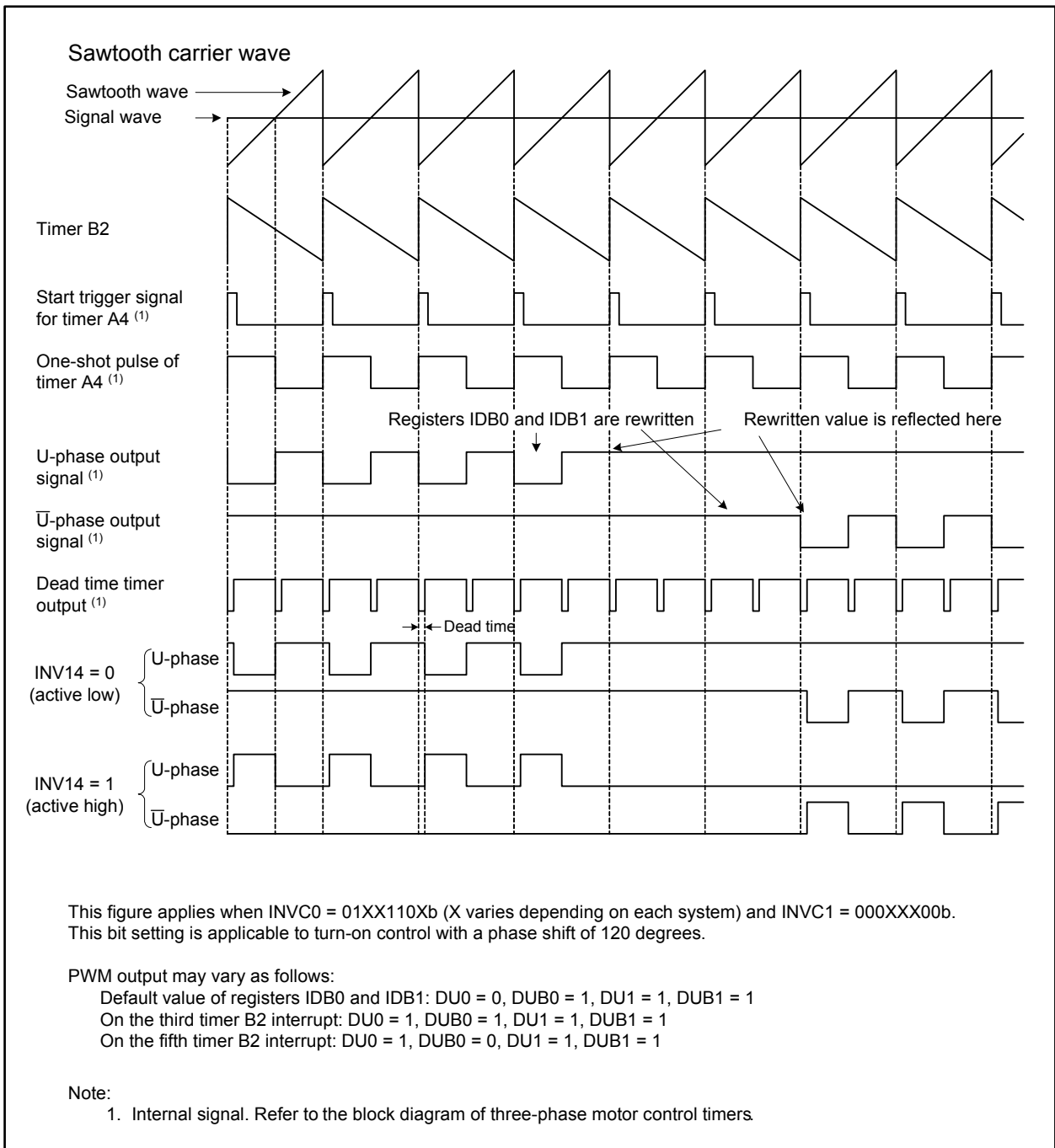


Figure 17.18 Sawtooth Wave Modulation Operation

17.6 Notes on Three-phase Motor Control Timers

17.6.1 Shutdown

- When a low signal is applied to the $\overline{\text{NMI}}$ pin with the following bit settings, pins TA1OUT, TA2OUT, and TA4OUT become high-impedance: the PM24 bit in the PM2 register is 1 (NMI enabled), the INV02 bit in the INVC0 register is 1 (three-phase motor control timers used), and the INV03 bit is 1 (three-phase motor control timer output enabled).

17.6.2 Register Setting

- Do not write to the TAI1 register before and after timer B2 underflows ($i = 1, 2, 4$). Before writing to the TAI1 register, read the TB2 register to verify that sufficient time remains until timer B2 underflows. Then, immediately write to the TAI1 register so no interrupt handling is performed during this write procedure. If the TB2 register indicates little time remains until the underflow, write to the TAI1 register after timer B2 underflows.

18. Serial Interface

The serial interface consists of nine channels: UART0 to UART8.

Each channel has an exclusive timer to generate the transmit/receive clock and operates independently.

Figures 18.1 and 18.2 show block diagrams of UART0 to UART6 and UART7 and UART8, respectively.

UART_i supports the following modes:

- Synchronous serial interface mode (for UART0 to UART8)
- Asynchronous serial interface mode (UART mode) (for UART0 to UART8)
- Special mode 1 (I²C mode) (for UART0 to UART6)
- Special mode 2 (for UART0 to UART6)
- Special mode 4 (Bus collision detection: IE mode) (optional) ⁽¹⁾ (for UART0 to UART6)

Figures 18.3 to 18.19 show registers associated with UART_i (i = 0 to 8).

Refer to the tables listing each mode for registers and pin settings.

Note:

1. Contact a Renesas Electronics sales office to use the optional features.

Table 18.1 Comparison of UART0 to UART8 Functions

Mode/Function	UART0 to UART6	UART7, UART8
Synchronous serial interface mode	Available	Available
Serial data logic inversion	Available	Not available
UART mode	Available	Available
CTS/RTS function selection	Available	Available
TXD and RXD I/O polarity selection	Available	Not available
Special mode 1 (I ² C mode)	Available	Not available
Special mode 2	Available	Not available
Special mode 4 (IE mode) (optional) ⁽¹⁾	Available	Not available
Pins TXD and RXD output mode	Push-pull output, N-channel open drain output programmable by port function select registers	Push-pull output, N-channel open drain output programmable by port function select registers

Note:

1. Contact a Renesas Electronics sales office to use the optional features.

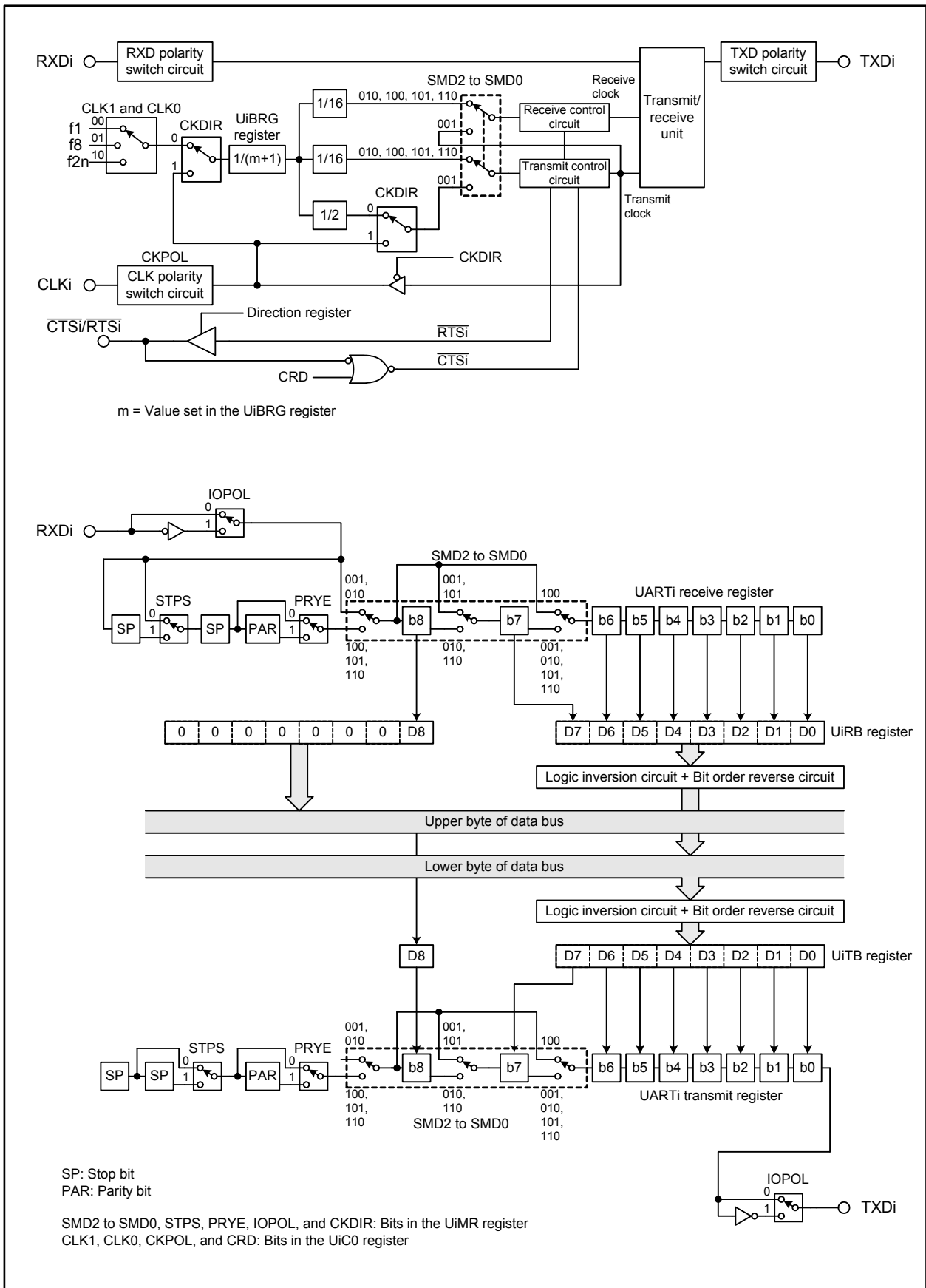


Figure 18.1 UARTi Block Diagram (i = 0 to 6)

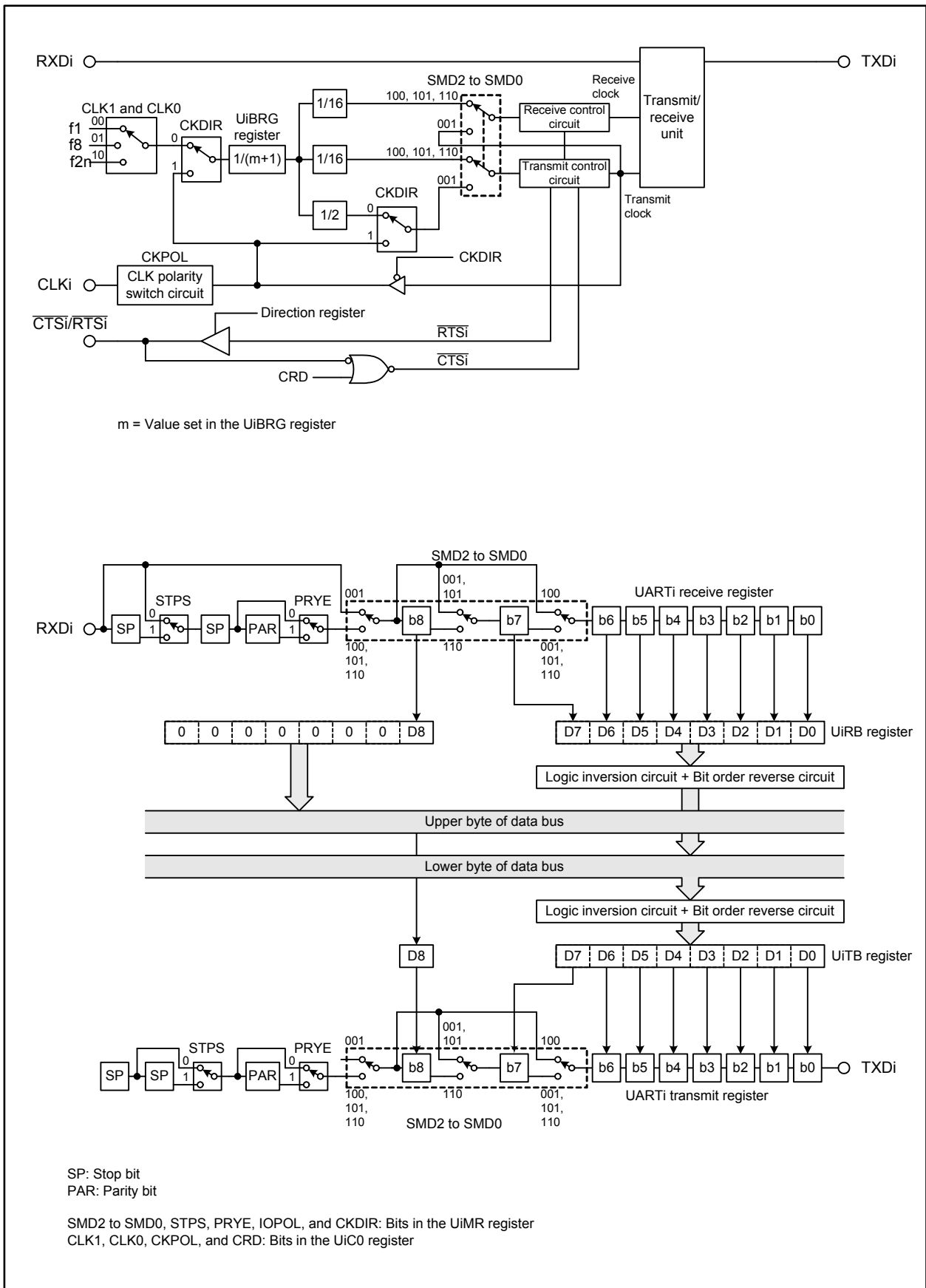


Figure 18.2 UARTi Block Diagram (i = 7, 8)

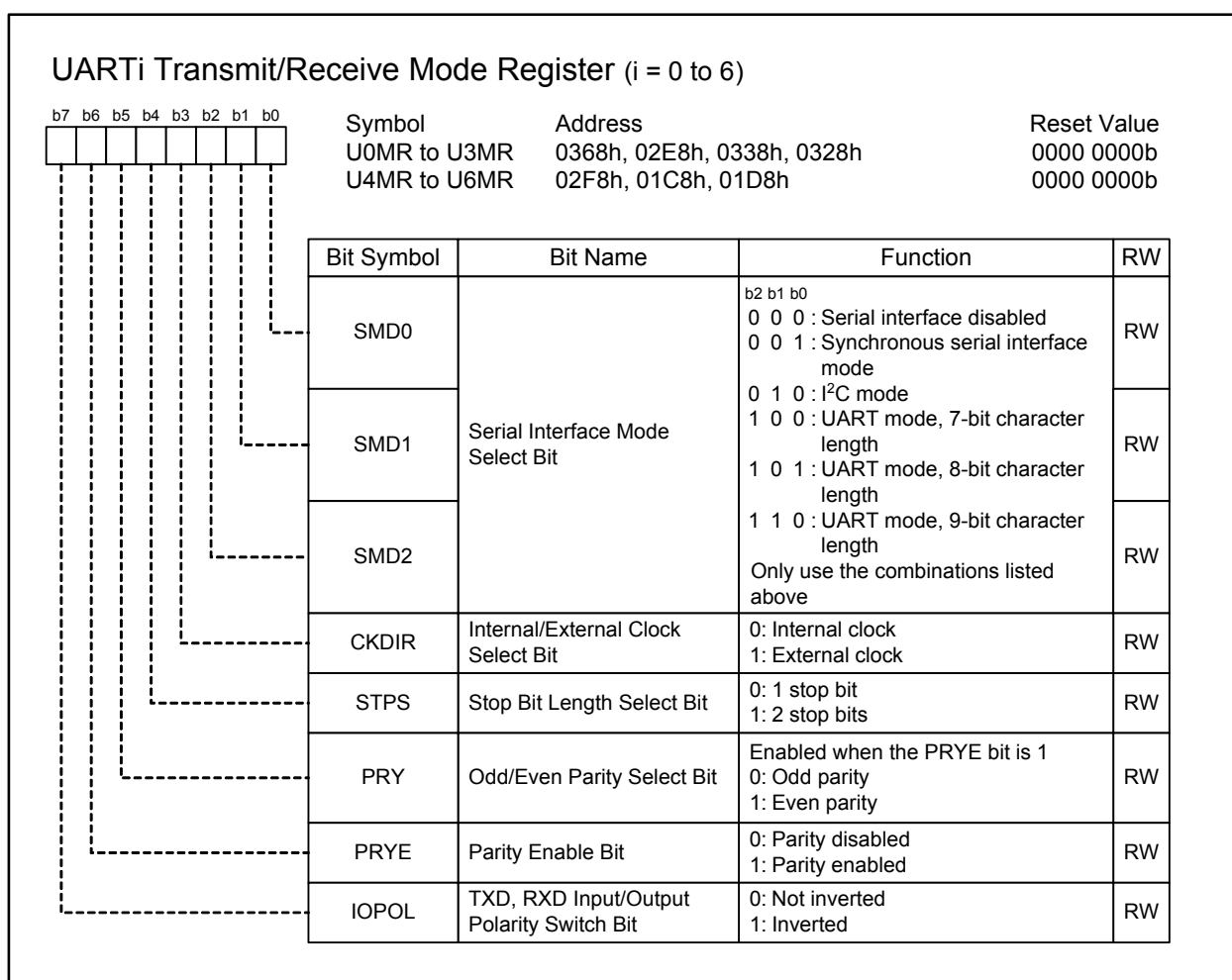


Figure 18.3 Registers U0MR to U6MR

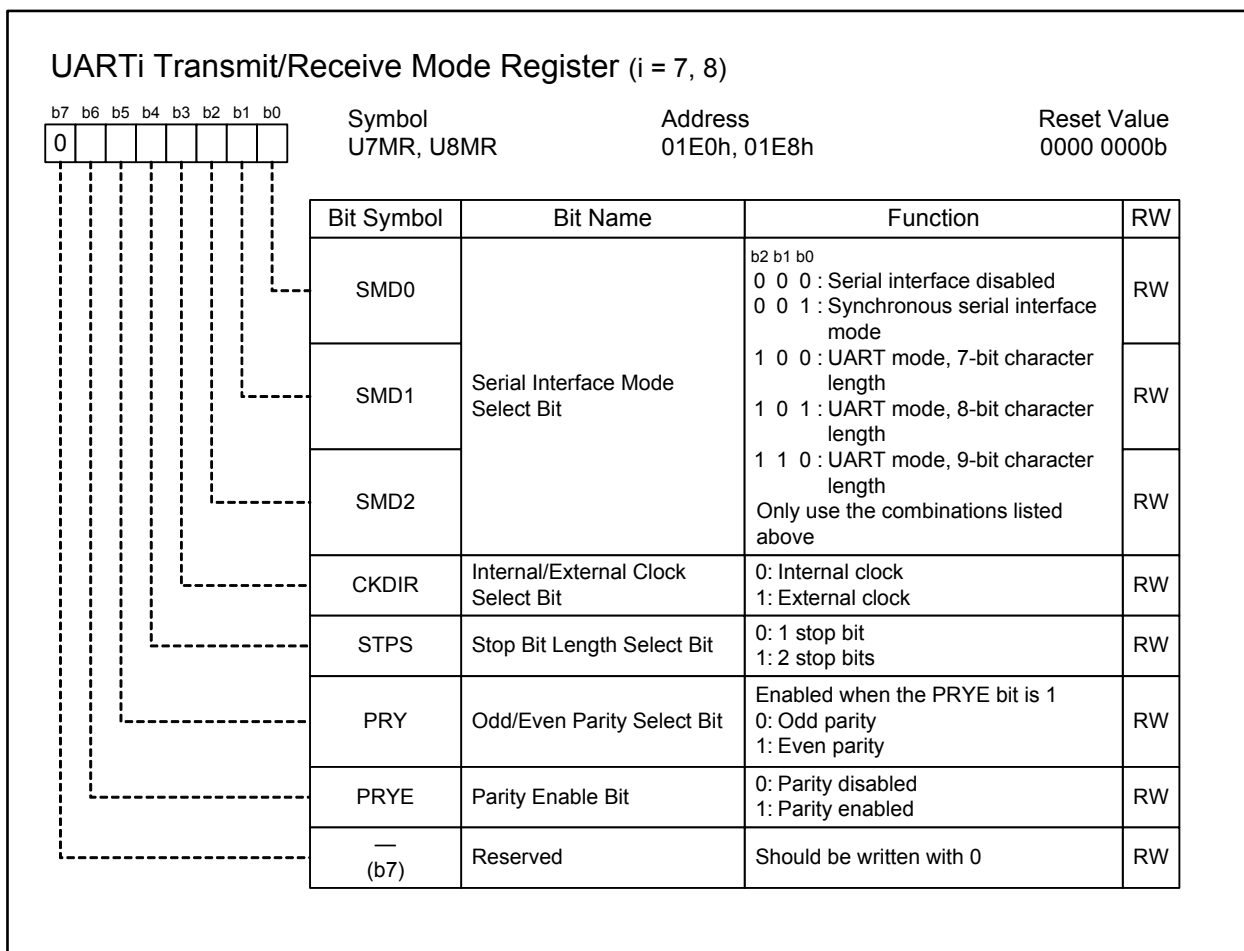


Figure 18.4 Registers U7MR and U8MR

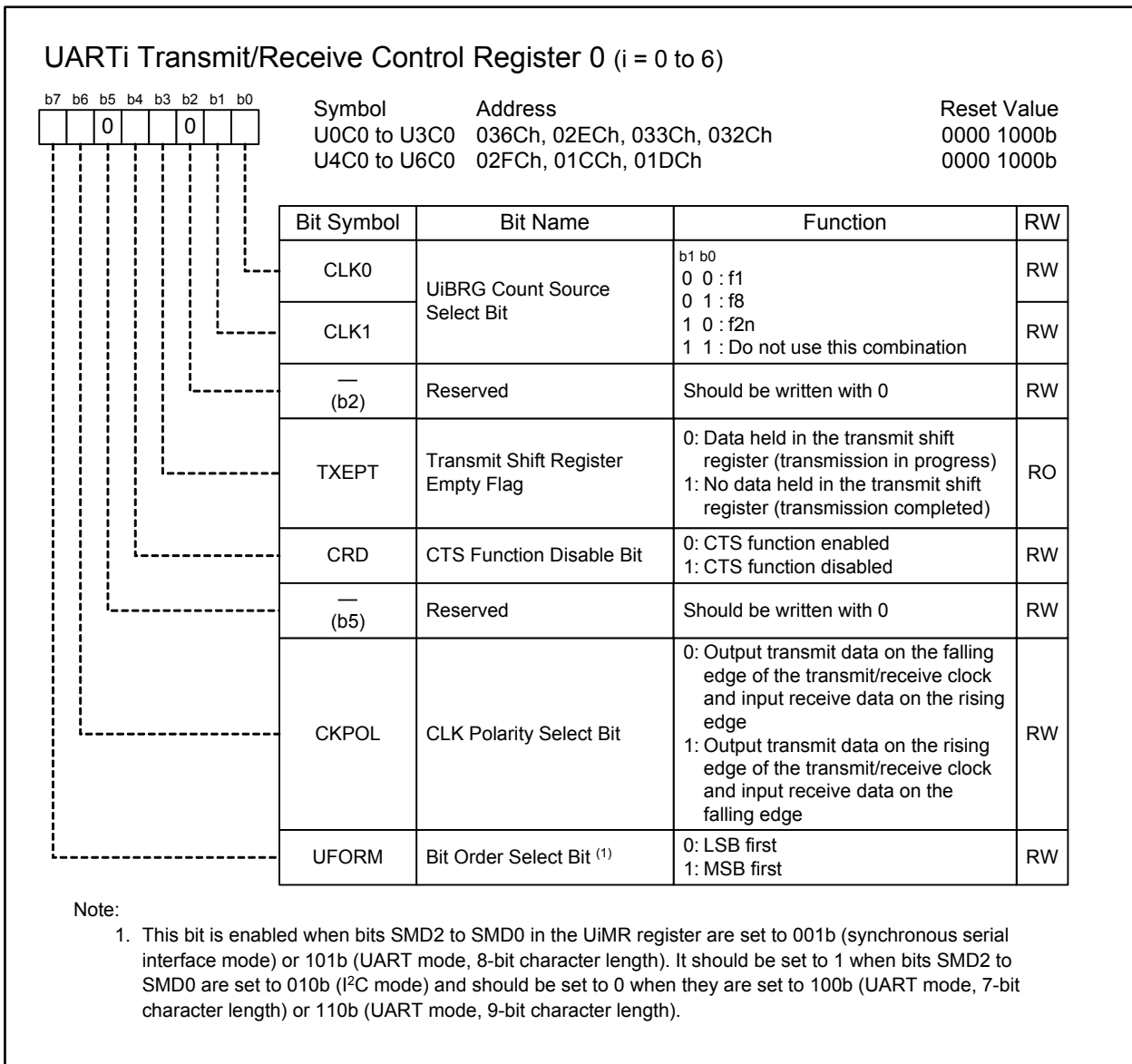


Figure 18.5 Registers U0C0 to U6C0

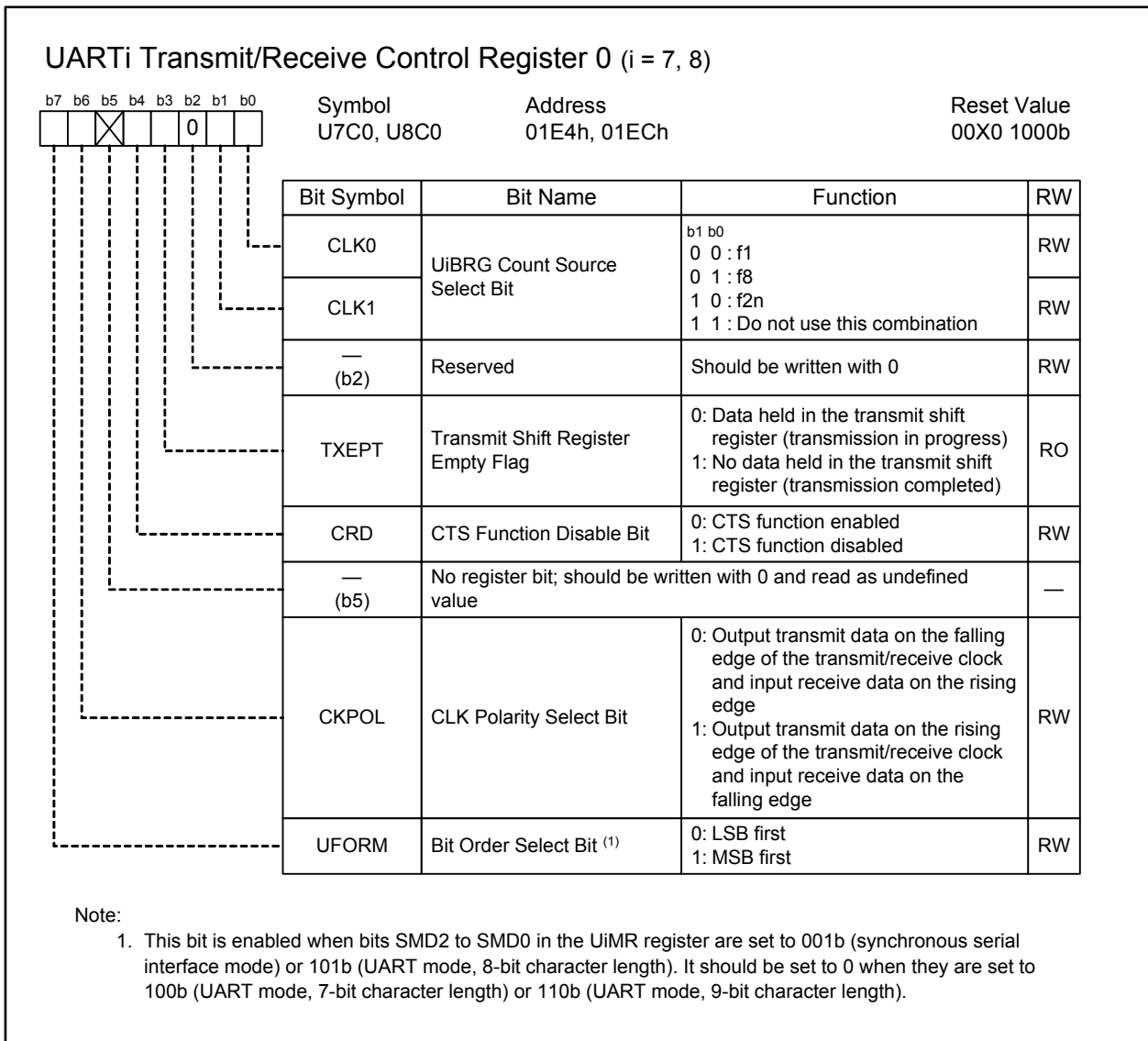


Figure 18.6 Registers U7C0 and U8C0

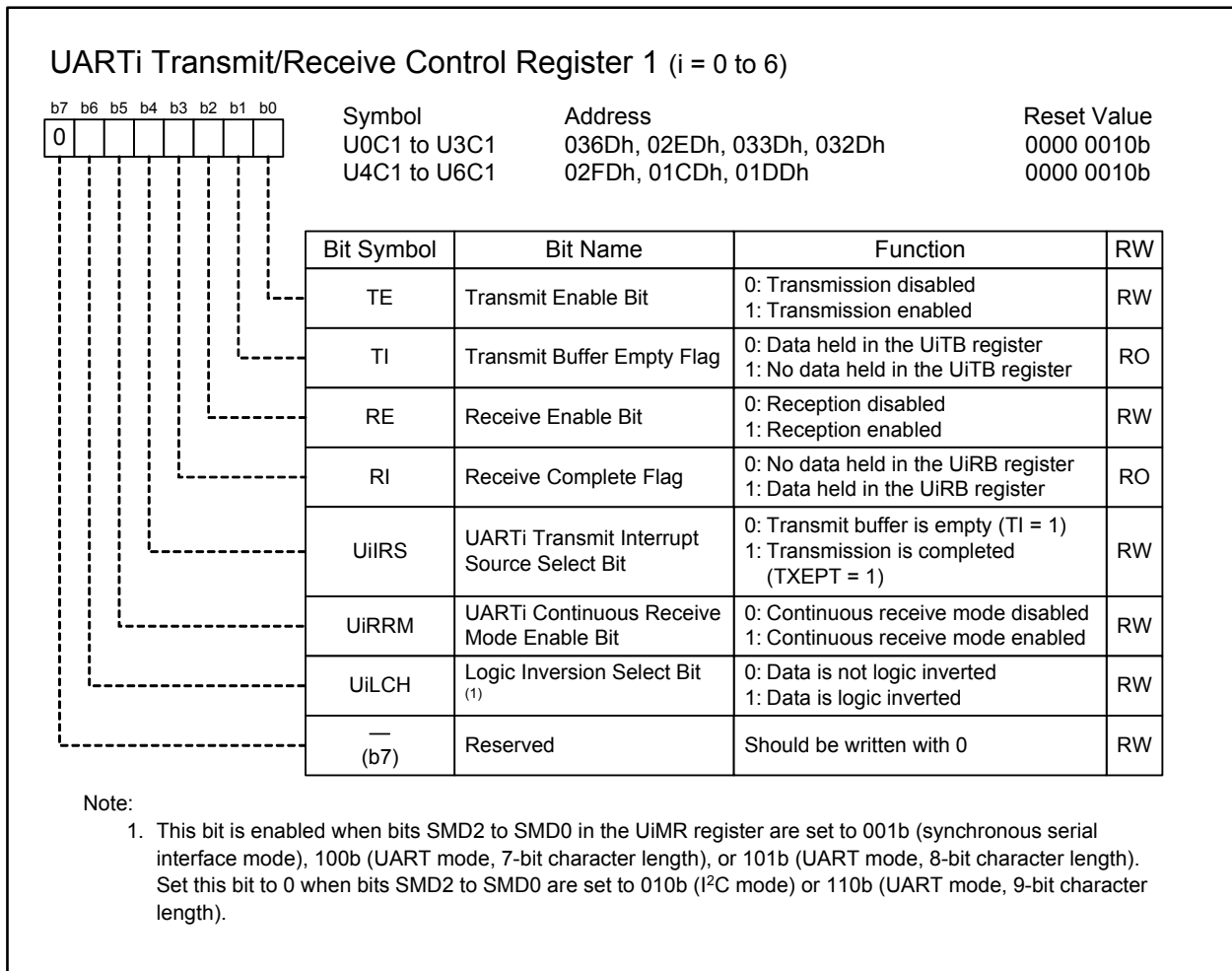


Figure 18.7 Registers U0C1 to U6C1

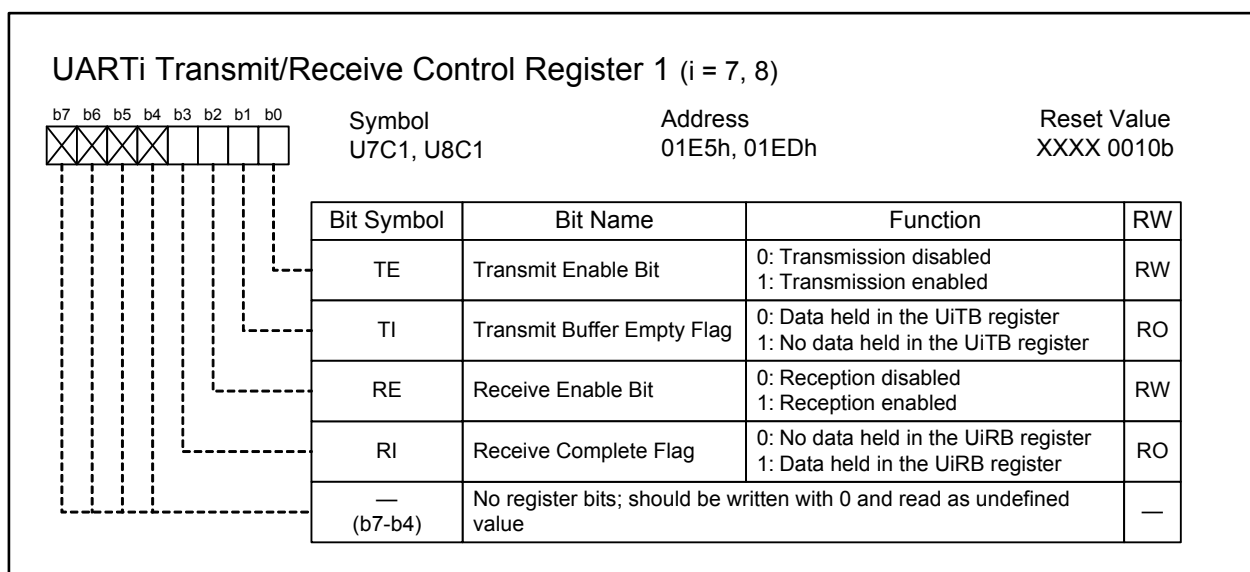


Figure 18.8 Registers U7C1 and U8C1

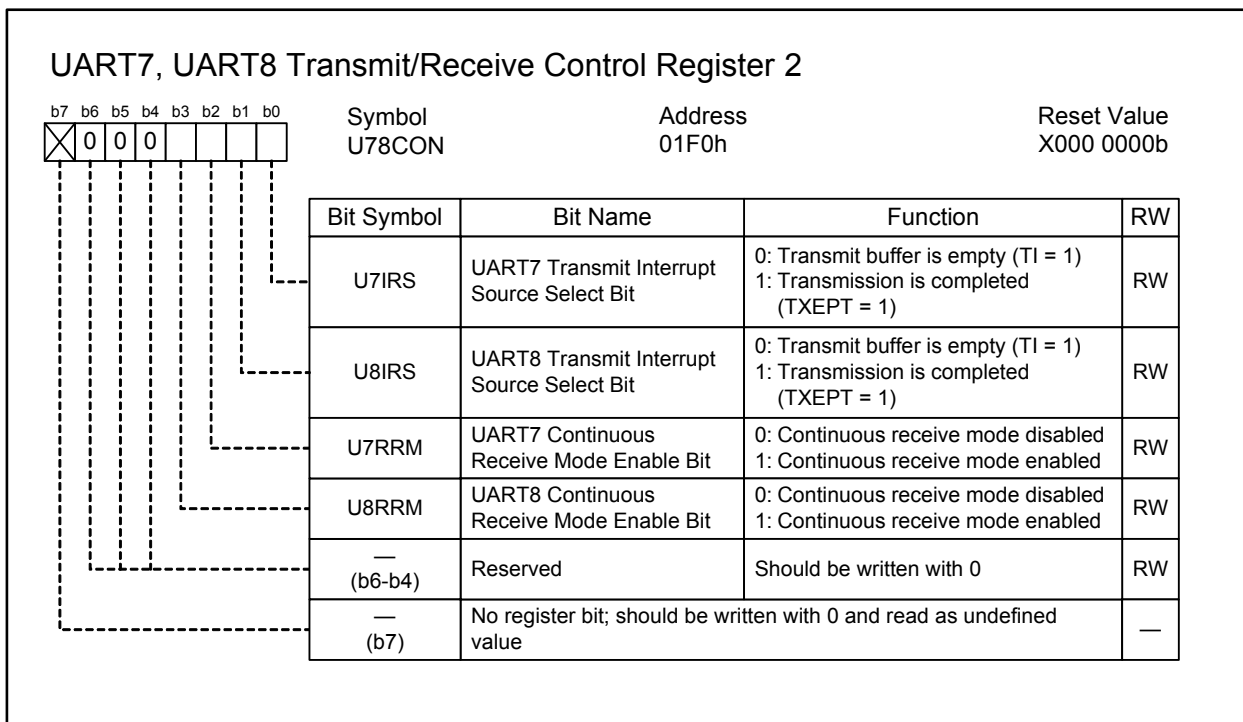


Figure 18.9 U78CON Register

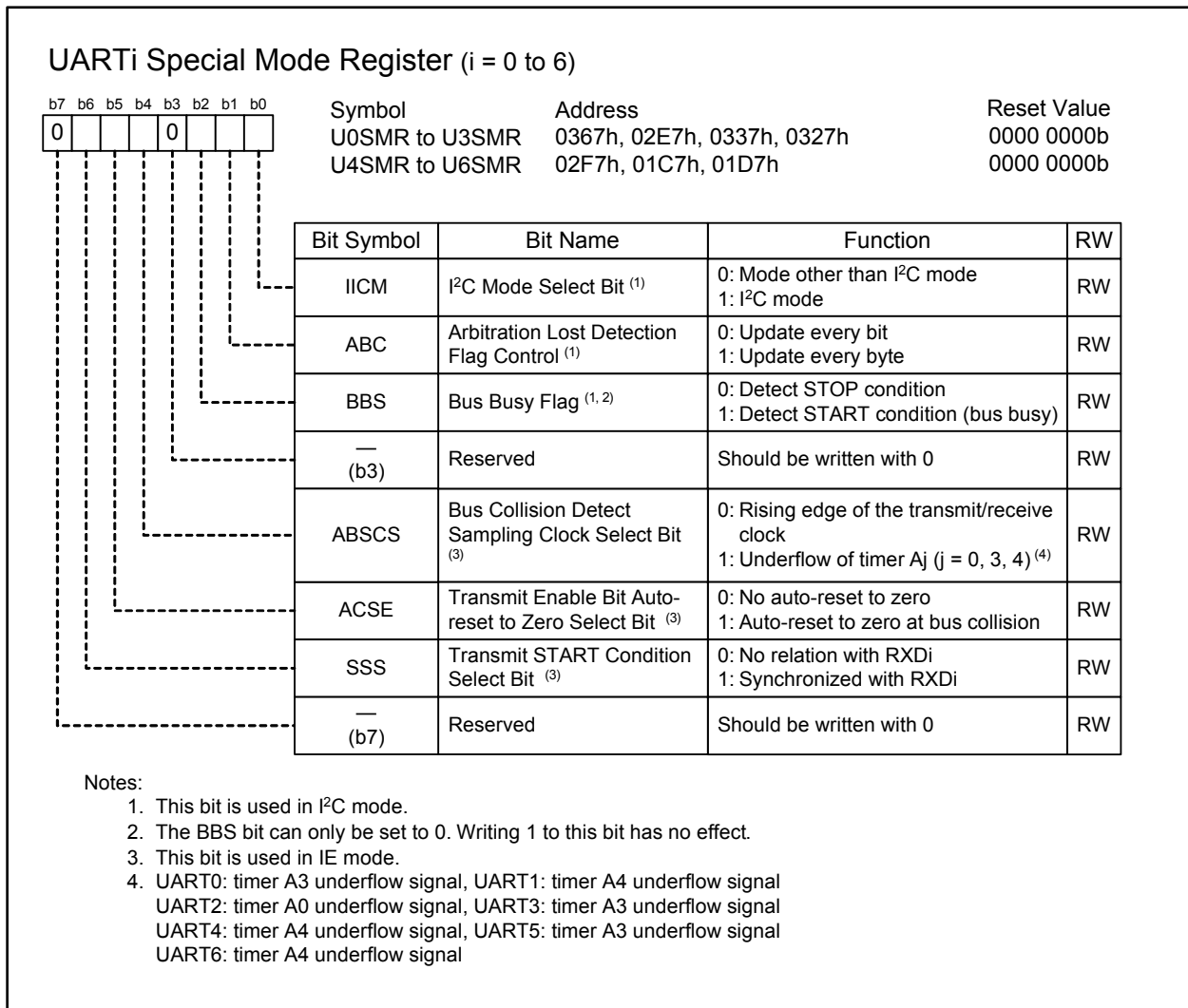


Figure 18.10 Registers U0SMR to U6SMR

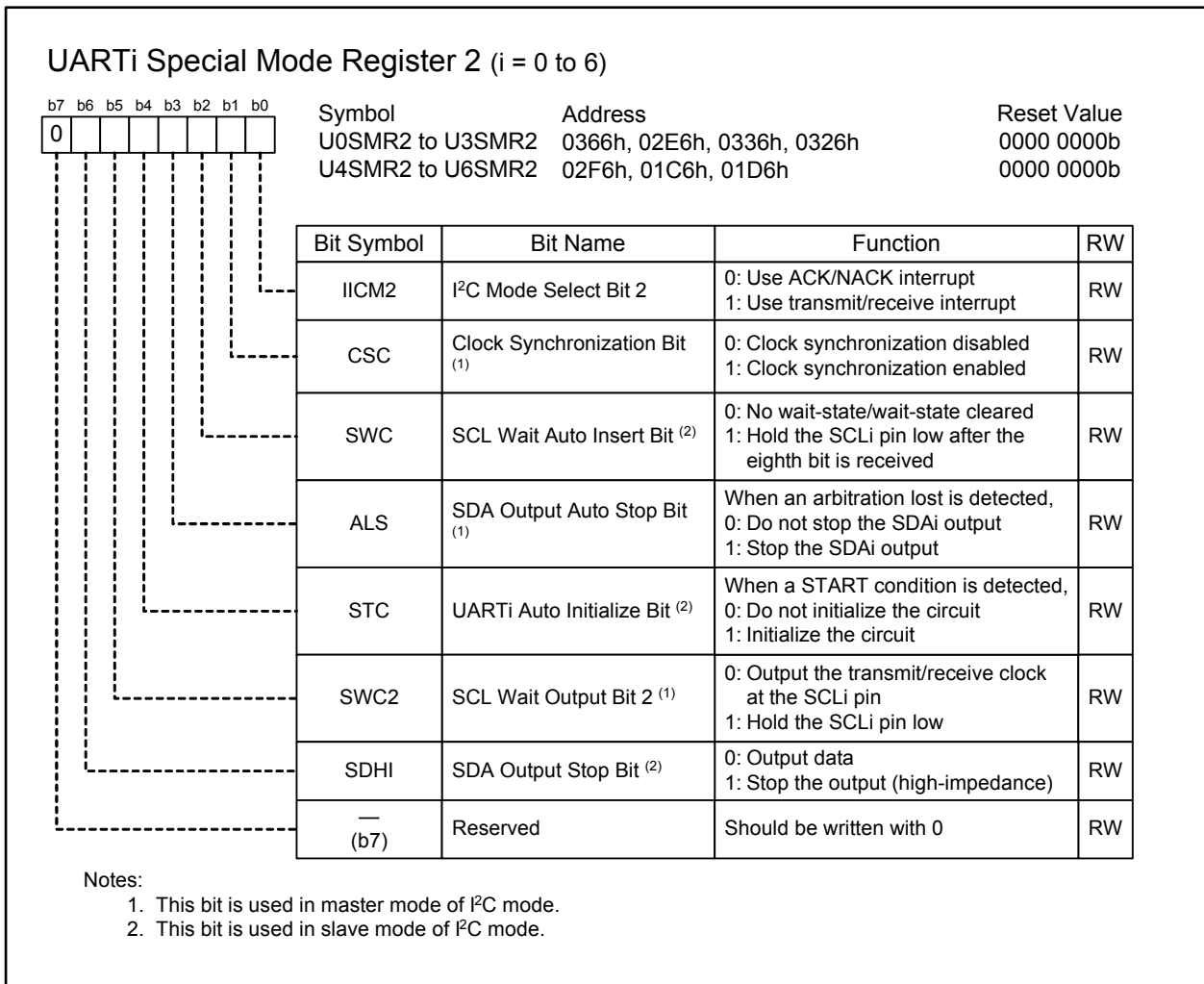


Figure 18.11 Registers U0SMR2 to U6SMR2

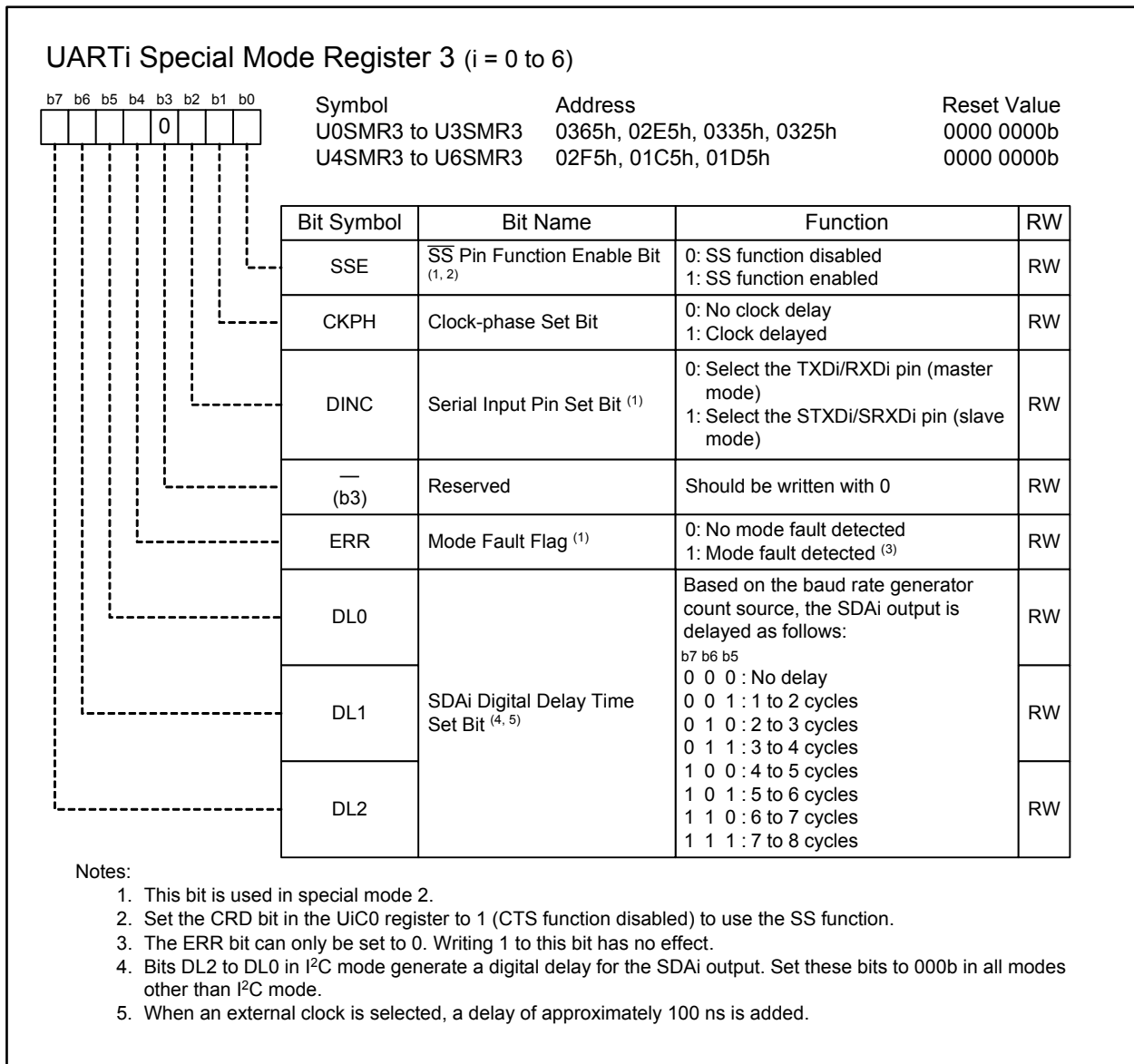


Figure 18.12 Registers U0SMR3 to U6SMR3

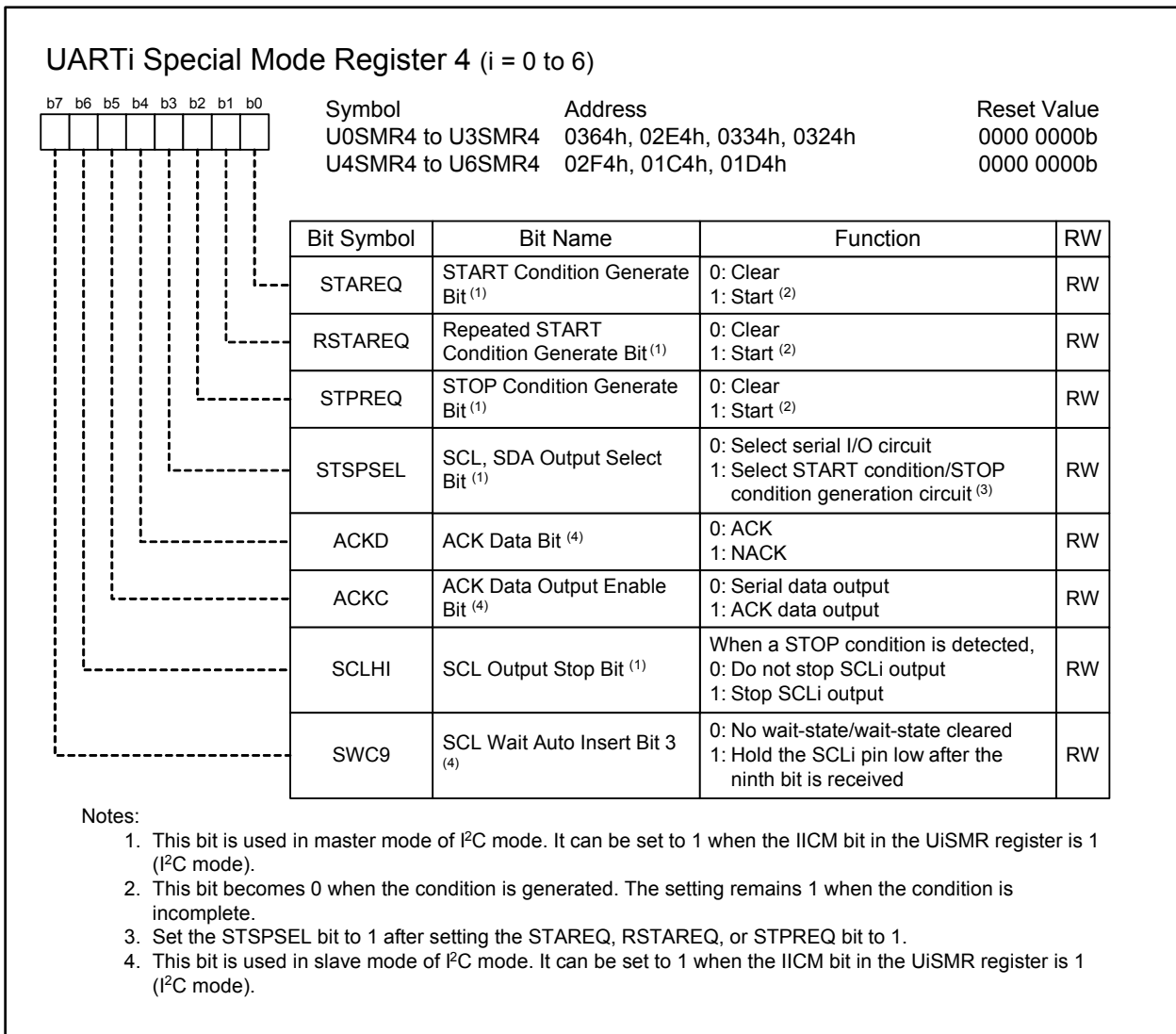


Figure 18.13 Registers U0SMR4 to U6SMR4

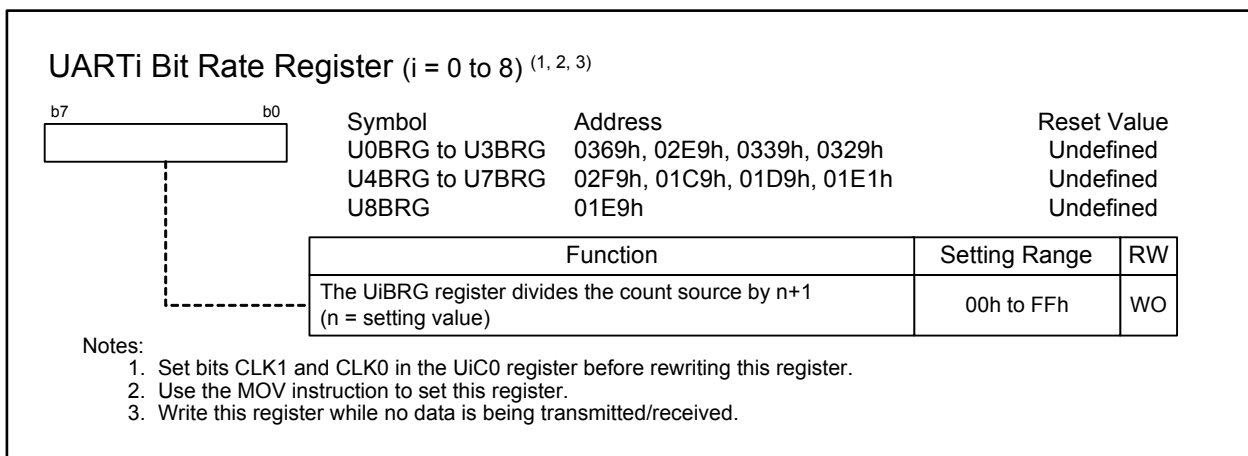


Figure 18.14 Registers U0BRG to U8BRG

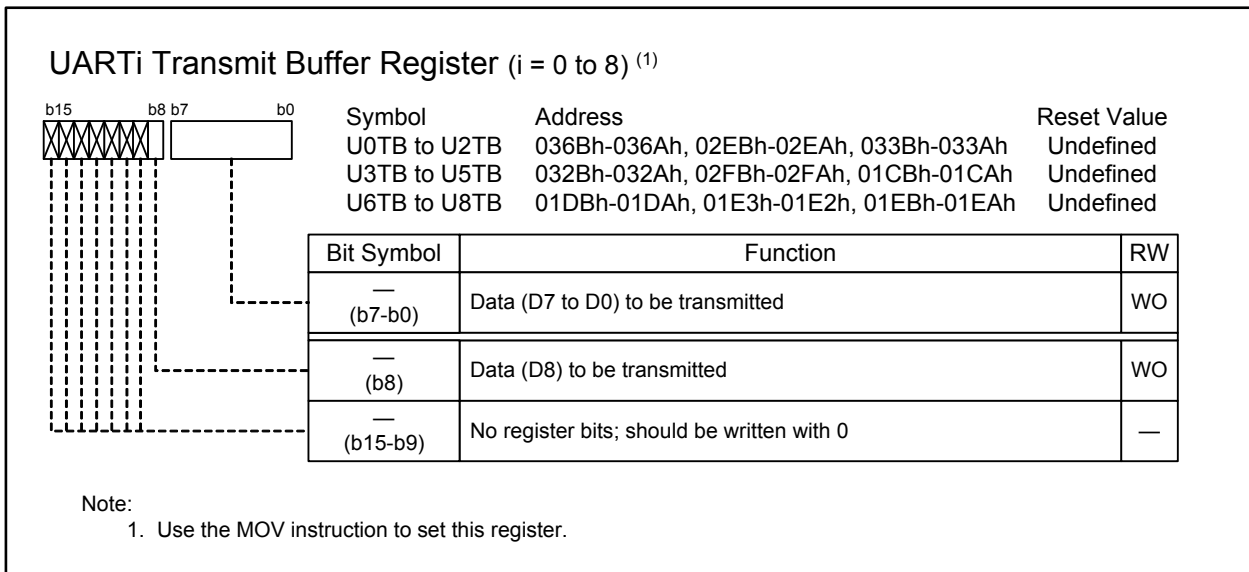


Figure 18.15 Registers U0TB to U8TB

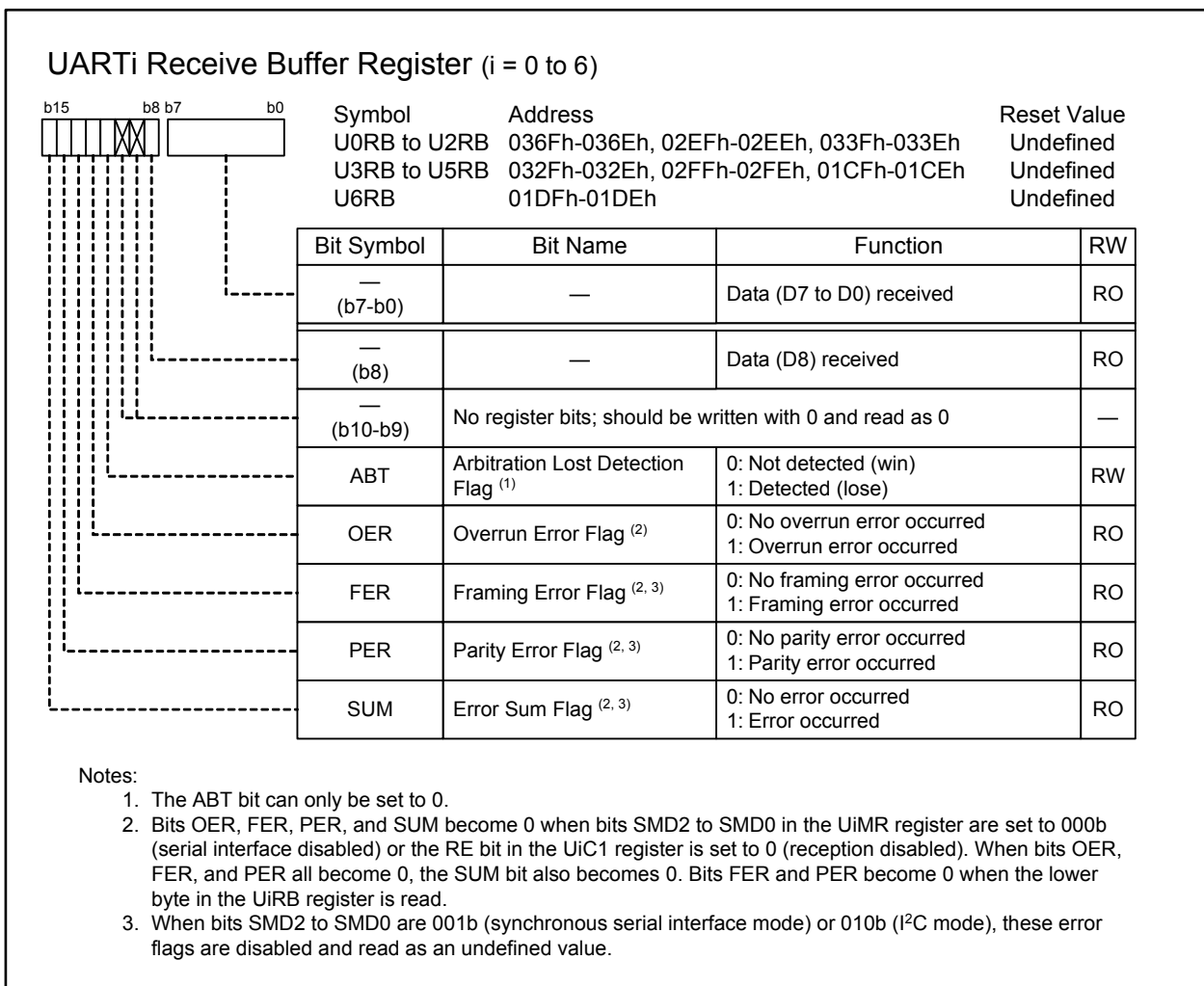


Figure 18.16 Registers U0RB to U6RB

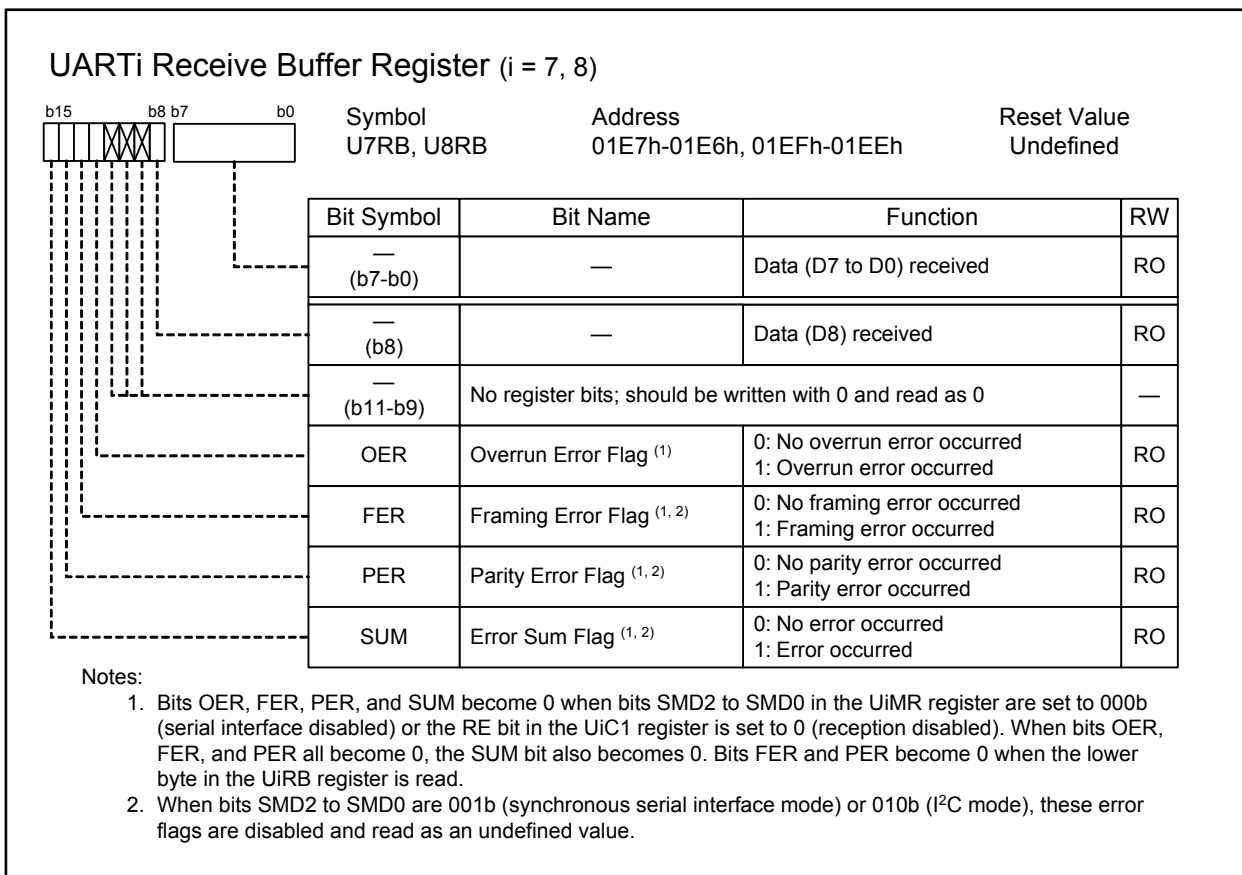
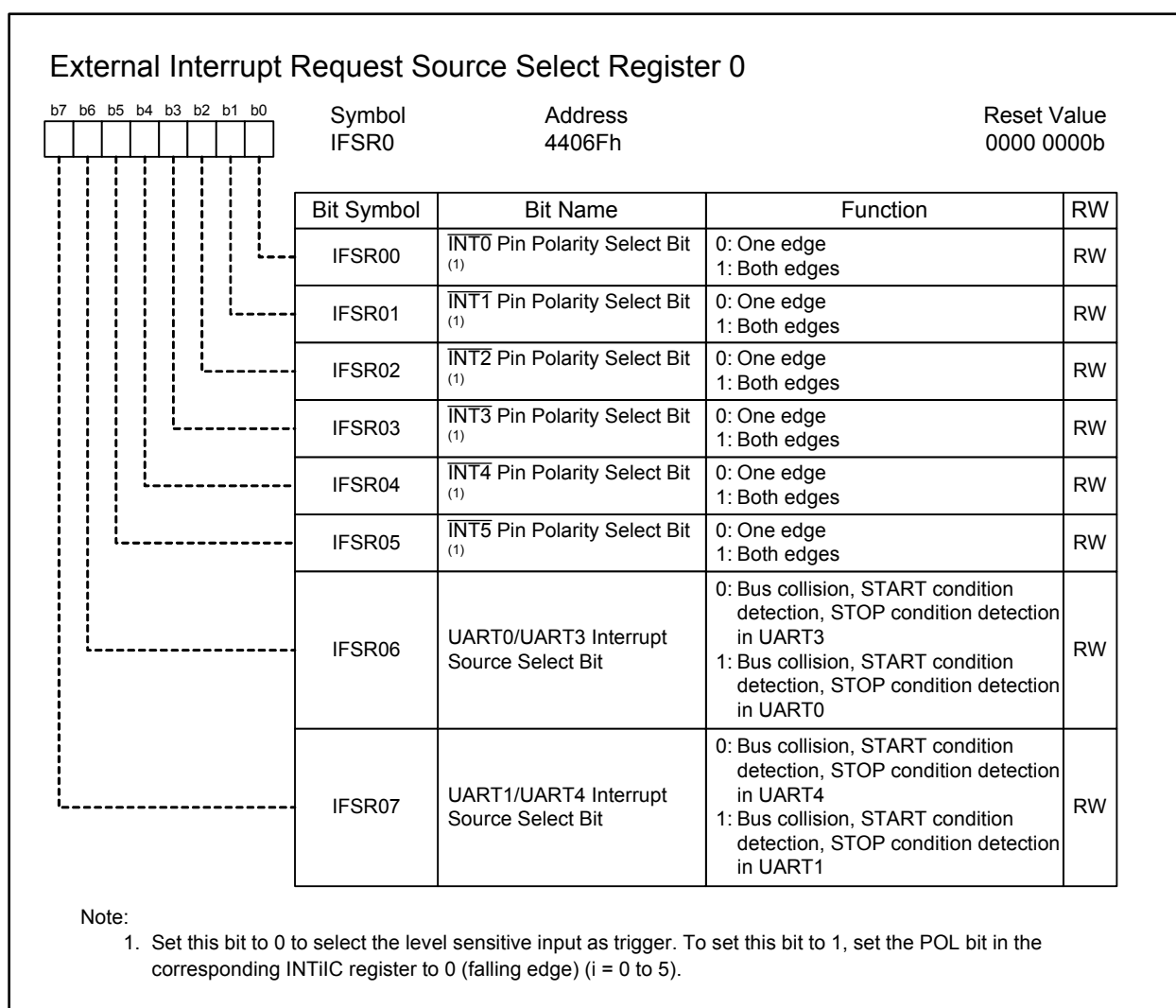


Figure 18.17 Registers U7RB and U8RB

**Figure 18.18 IFSR0 Register**

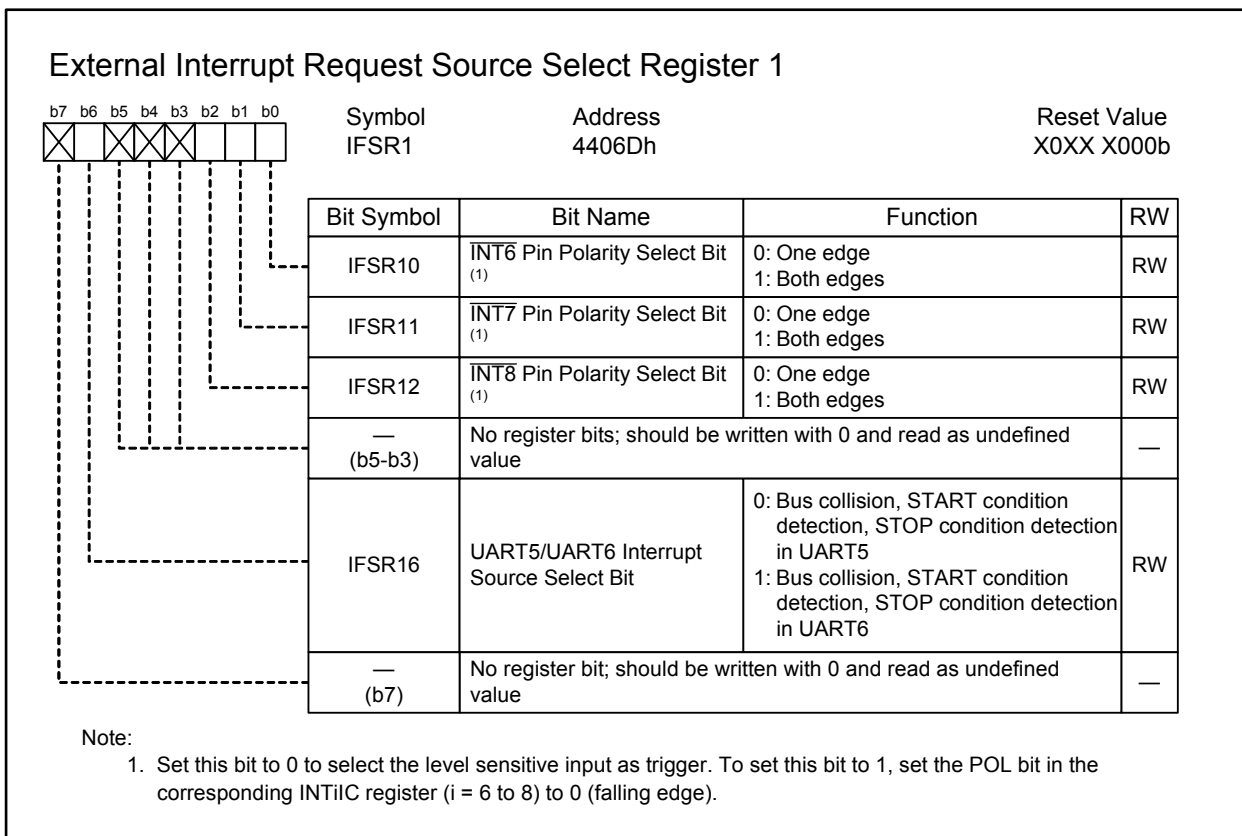


Figure 18.19 IFSR1 Register

18.1 Synchronous Serial Interface Mode

The synchronous serial interface mode allows data transmission/reception synchronized with the transmit/receive clock. Table 18.2 lists specifications of synchronous serial interface mode.

Table 18.2 Synchronous Serial Interface Mode Specifications

Item	Specification
Data format	8-bit character length
Transmit/receive clock	<ul style="list-style-type: none"> The CKDIR bit in the UiMR register is 0 (internal clock) ($i = 0$ to 8): $\frac{fx}{2(m+1)} \quad fx = f1, f8, f2n; m: \text{UiBRG register setting value, 00h to FFh}$ The CKDIR bit is 1 (external clock): input to the CLKi pin
Transmit/receive control	CTS function enabled, RTS function enabled, or CTS/RTS function disabled
Transmit start conditions	<p>The conditions for starting data transmission are as follows ⁽¹⁾:</p> <ul style="list-style-type: none"> The TE bit in the UiC1 register is 1 (transmission enabled) The TI bit in the UiC1 register is 0 (data held in the UiTB register) Input level at the CTSi pin is low when the CTS function is selected
Receive start conditions	<p>The conditions for starting data reception are as follows ⁽¹⁾:</p> <ul style="list-style-type: none"> The RE bit in the UiC1 register is 1 (reception enabled) The TE bit in the UiC1 register is 1 (transmission enabled) The TI bit in the UiC1 register is 0 (data held in the UiTB register) Input level at the CTSi pin is low when the CTS function is selected
Interrupt request generating timing	<p>In transmit interrupt, one of the following conditions can be selected by setting the UiIRS bit in registers U0C1 to U6C1 and U78CON:</p> <ul style="list-style-type: none"> The UiIRS bit is 0 (transmit buffer is empty): when data is transferred from the UiTB register to the UARTi transmit register (when the transmission has started) The UiIRS bit is 1 (transmission is completed): when data transmission from the UARTi transmit register is completed <p>In receive interrupt,</p> <ul style="list-style-type: none"> When data is transferred from the UARTi receive register to the UiRB register (when the reception is completed)
Error detection	<p>Overflow error ⁽²⁾</p> <p>This error occurs when the seventh bit of the next data is received before the UiRB register is read</p>
Other functions	<ul style="list-style-type: none"> CLK polarity Rising or falling edge of the transmit/receive clock for output and input of transmit/receive data Bit order selection LSB first or MSB first Continuous receive mode Data reception is enabled by a read access to the UiRB register Serial data logic inversion (UART0 to UART6) This function logically inverts transmit/receive data

Notes:

- When selecting an external clock, the following preconditions should be met:
 - The CLKi pin is held high when the CKPOL bit in the UiC0 register is set to 0 (transmit data output on the falling edge of the transmit/receive clock and receive data input on the rising edge).
 - The CLKi pin is held low when the CKPOL bit is set to 1 (transmit data output on the rising edge of the transmit/receive clock and receive data input on the falling edge).
- The UiRB register is undefined when an overrun error occurs. The IR bit in the SiRIC register does not change to 1 (interrupt requested).

Tables 18.3 and 18.4 list register settings. When UART_i operating mode is selected, a high is output at the TXD_i pin until transmission starts (the TXD_i pin is high-impedance when the N-channel open drain output is selected) (i = 0 to 8).

Figures 18.20 and 18.21 show examples of transmit and receive operations in synchronous serial interface mode, respectively.

Table 18.3 Register Settings in Synchronous Serial Interface Mode (for UART0 to UART6)

Register	Bits	Function
UiMR	7 to 4	Set the bits to 0000b
	CKDIR	Select either an internal clock or external clock
	SMD2 to SMD0	Set the bits to 001b
UiC0	UFORM	Select either LSB first or MSB first
	CKPOL	Select a transmit/receive clock polarity
	5	Set the bit to 0
	CRD	Select CTS function enabled or disabled
	TXEPT	Transmit register empty flag
	2	Set the bit to 0
	CLK1 and CLK0	Select a count source for the UiBRG register
UiC1	7	Set the bit to 0
	UiLCH	Set the bit to 1 to use logic inversion
	UiRRM	Set the bit to 1 to use continuous receive mode
	UiIRS	Select a source for the UART _i transmit interrupt
	RI	Receive complete flag
	RE	Set the bit to 1 to enable data reception
	TI	Transmit buffer empty flag
	TE	Set the bit to 1 to enable data transmission/reception
UiSMR	7 to 0	Set the bits to 00h
UiSMR2	7 to 0	Set the bits to 00h
UiSMR3	7 to 0	Set the bits to 00h
UiSMR4	7 to 0	Set the bits to 00h
UiBRG	7 to 0	Set the bit rate
IFS0	IFS06	Select input pins for CLK3, RXD3, and $\overline{CTS3}$
	IFS03 and IFS02	Select input pins for CLK6, RXD6, and $\overline{CTS6}$
UiTB	7 to 0	Set the data to be transmitted
UiRB	OER	Overrun error flag
	7 to 0	Received data is read

i = 0 to 6

Table 18.4 Register Settings in Synchronous Serial Interface Mode (for UART7 and UART8)

Register	Bits	Function
UiMR	7 to 4	Set the bits to 0000b
	CKDIR	Select an internal clock or external clock
	SMD2 to SMD0	Set the bits to 001b
UiC0	UFORM	Select either LSB first or MSB first
	CKPOL	Select a transmit/receive clock polarity
	5	Set the bit to 0
	CRD	Select CTS function enabled or disabled
	TXEPT	Transmit register empty flag
	2	Set the bit to 0
	CLK1 and CLK0	Select a count source for the UiBRG register
UiC1	RI	Receive complete flag
	RE	Set the bit to 1 to enable data reception
	TI	Transmit buffer empty flag
	TE	Set the bit to 1 to enable data transmission/reception
U78CON	UiRRM	Set the bit to 1 to use continuous receive mode
	UiIRS	Select an interrupt source for UARTi transmit
IFS0	IFS05	Select input pins for CLK7, RXD7, and $\overline{\text{CTS}}7$
	IFS04	Select input pins for CLK8, RXD8, and $\overline{\text{CTS}}8$
UiBRG	7 to 0	Set the bit rate
UiTB	7 to 0	Set the data to be transmitted
UiRB	OER	Overrun error flag
	7 to 0	Received data can be read

i = 7, 8

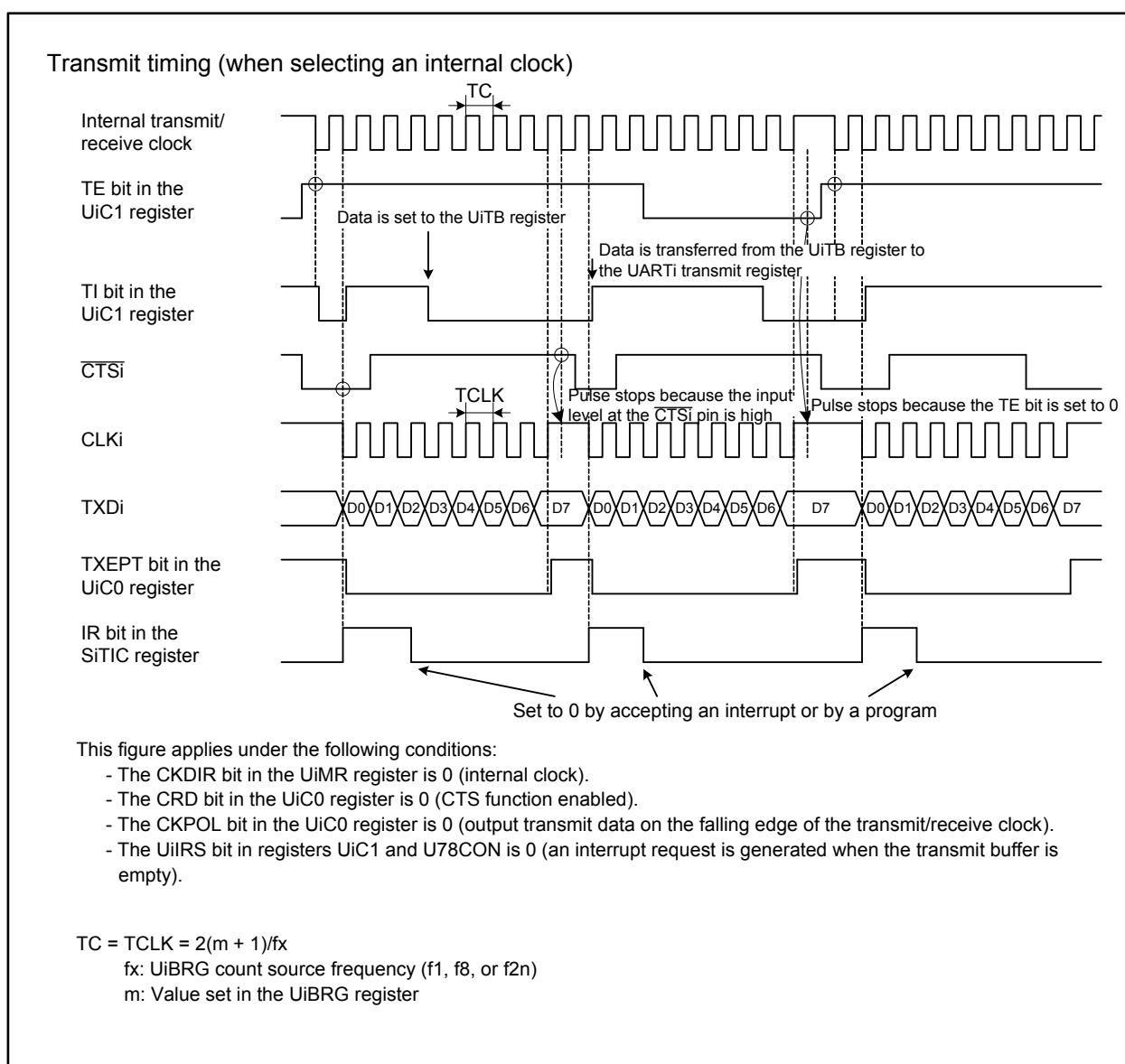


Figure 18.20 Transmit Operation in Synchronous Serial Interface Mode

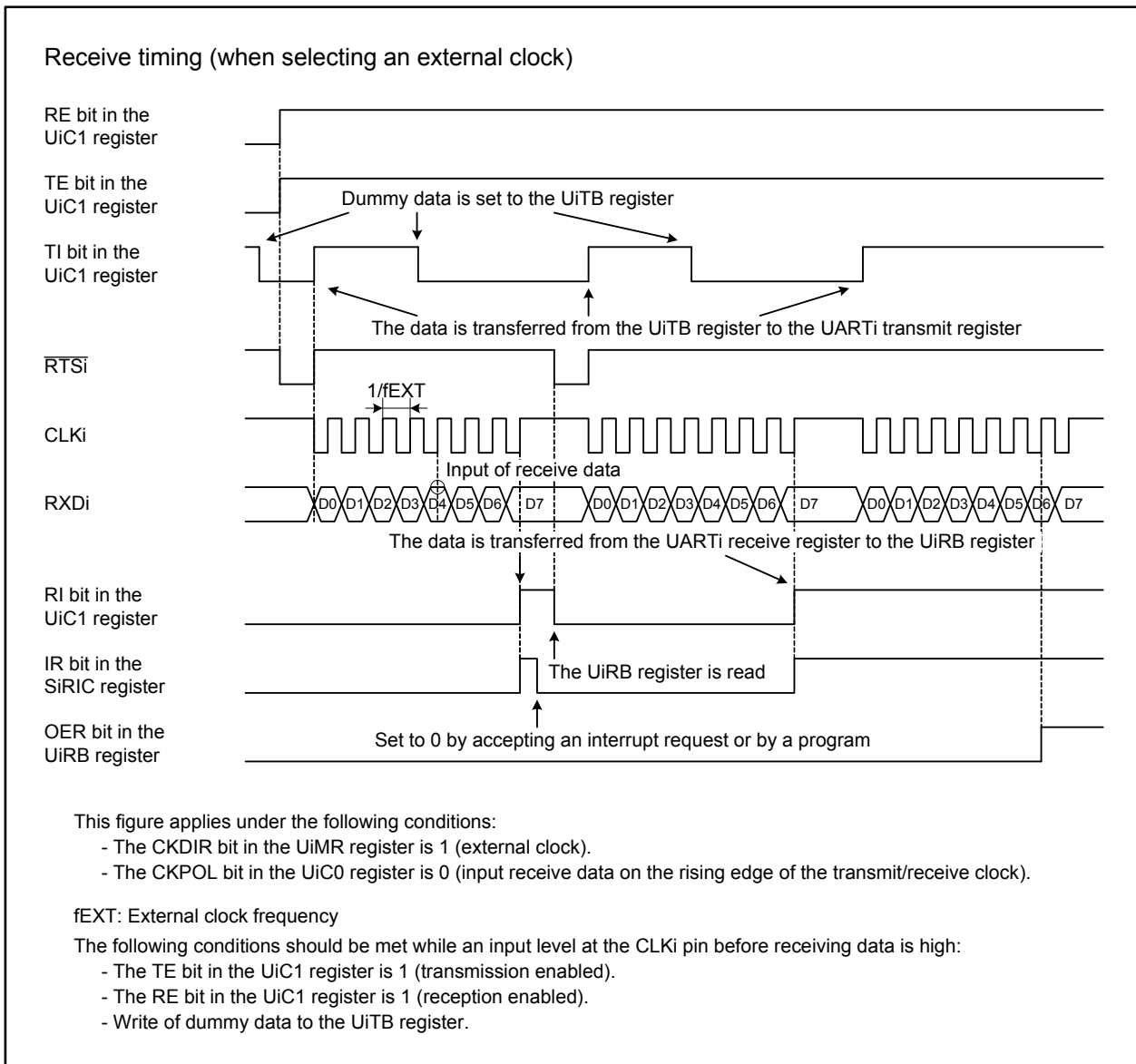


Figure 18.21 Receive Operation in Synchronous Serial Interface Mode

18.1.1 Reset Procedure on Transmit/Receive Error

When a transmit/receive error occurs in synchronous serial interface mode, follow the procedures below to perform a reset:

A. Reset procedure for the UiRB register (i = 0 to 8)

- (1) Set the RE bit in the UiC1 register to 0 (reception disabled).
- (2) Set bits SMD2 to SMD0 in the UiMR register to 000b (serial interface disabled).
- (3) Set bits SMD2 to SMD0 to 001b (synchronous serial interface mode).
- (4) Set the RE bit in the UiC1 register to 1 (reception enabled).

B. Reset procedure for the UiTB register

- (1) Set bits SMD2 to SMD0 in the UiMR register to 000b (serial interface disabled).
- (2) Set bits SMD2 to SMD0 to 001b (synchronous serial interface mode).
- (3) Irrespective of its status, set the TE bit in the UiC1 register to 1 (transmission enabled).

18.1.2 CLK Polarity

As shown in Figure 18.22, the polarity of the transmit/receive clock is selected using the CKPOL bit in the UiC0 register (i = 0 to 8).

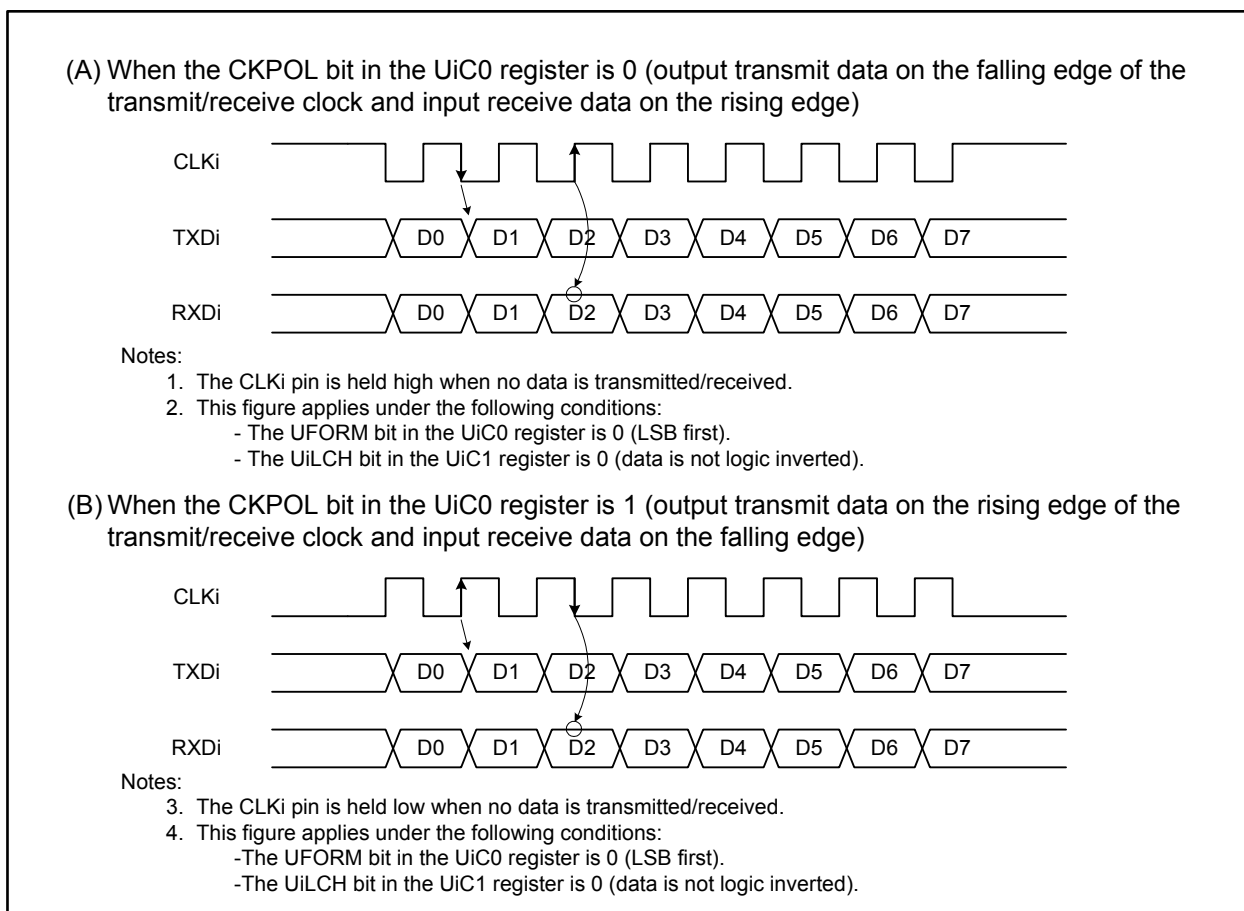


Figure 18.22 Transmit/Receive Clock Polarity (i = 0 to 8)

18.1.3 LSB First and MSB First Selection

As shown in Figure 18.23, the bit order is selected by setting the UFORM bit in the UiC0 register ($i = 0$ to 8).

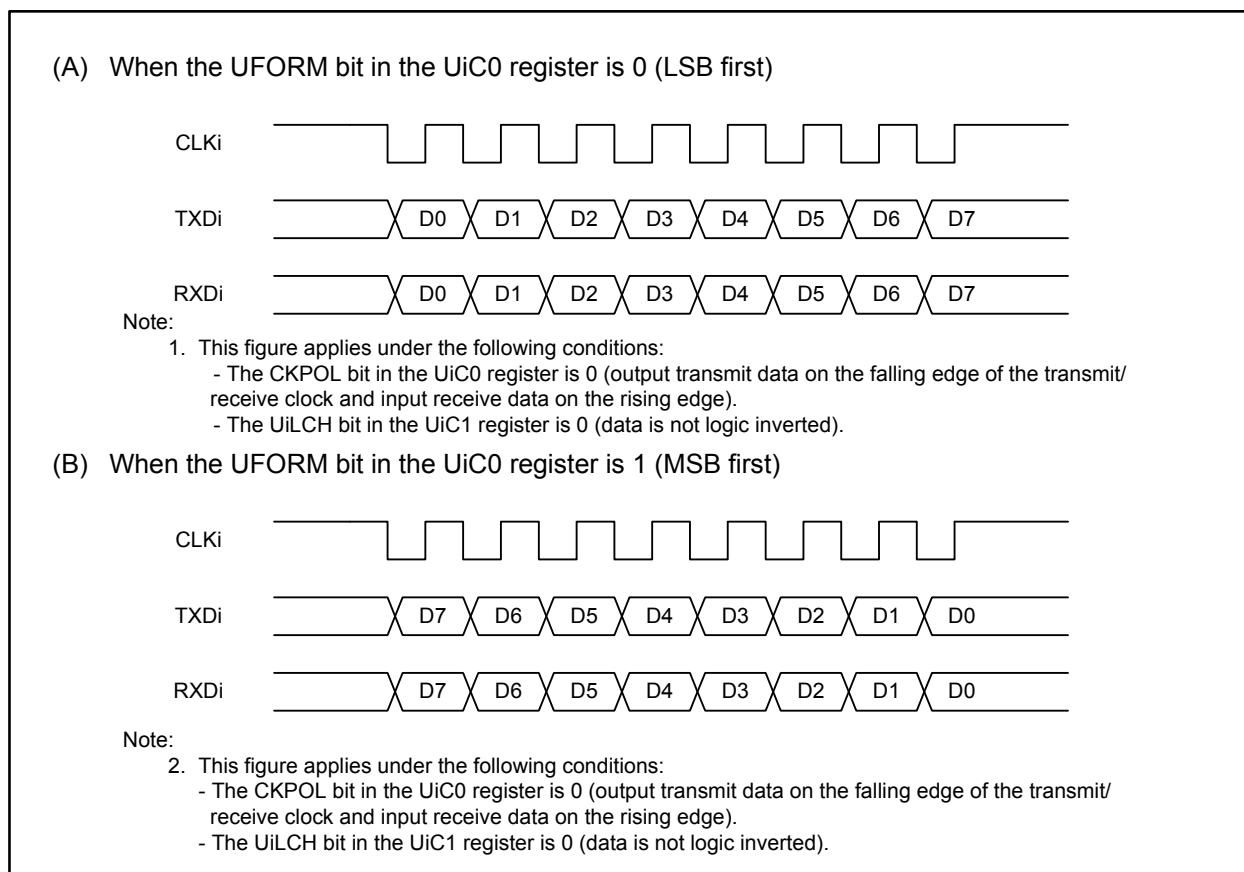


Figure 18.23 Bit Order ($i = 0$ to 8)

18.1.4 Continuous Receive Mode

In continuous receive mode, data reception is automatically enabled by a read access to the receive buffer register without writing dummy data to the transmit buffer register. To start data reception, however, dummy data is required to read the receive buffer register.

When the UiRRM bit in registers U0C1 to U6C1 and the U78CON register is set to 1 (continuous receive mode enabled), the TI bit in the UiC1 register becomes 0 (data held in the UiTB register) by a read access to the UiRB register ($i = 0$ to 8). In this UiRRM bit setting, no dummy data should be written to the UiTB register.

18.1.5 Serial Data Logic Inversion

When the UiLCH bit in the UiC1 register is 1 (data is logic inverted), the logical value written in the UiTB register is inverted before being transmitted ($i = 0$ to 6). The UiRB register is read as logic-inverted receive data. Figure 18.24 shows the logic inversion of serial data.

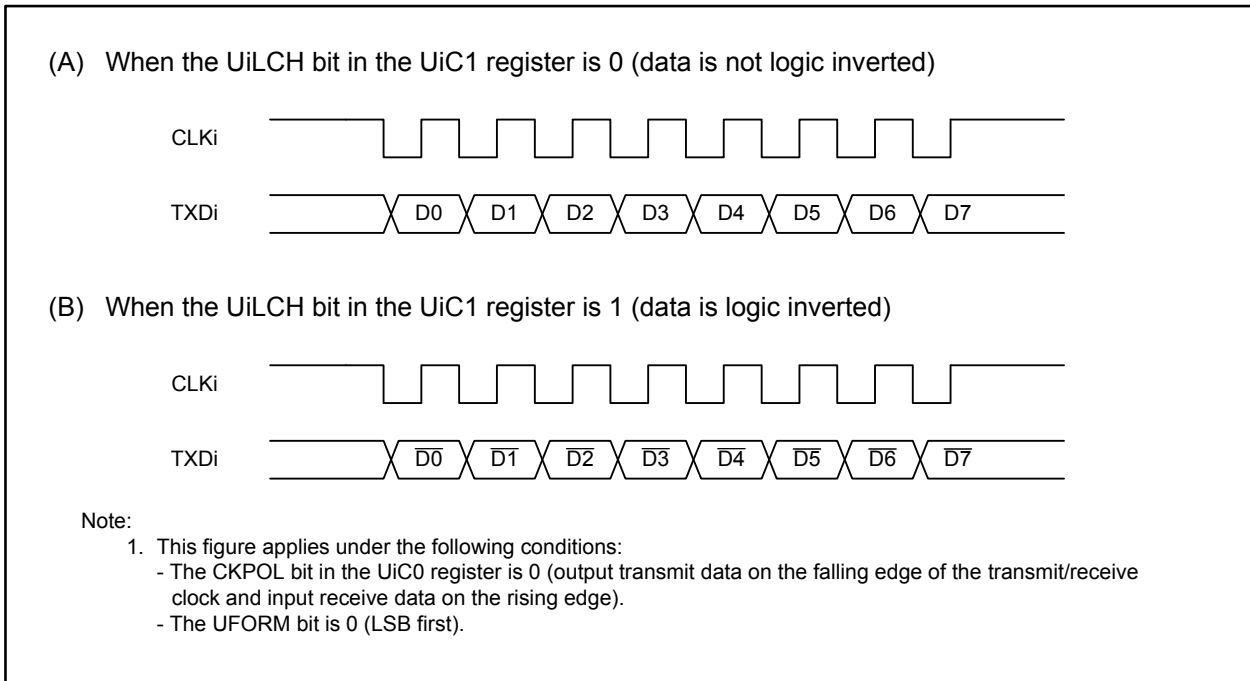


Figure 18.24 Serial Data Logic Inversion ($i = 0$ to 6)

18.1.6 CTS/RTS Function

CTS function controls data transmission using the $\overline{\text{CTS}}_i/\overline{\text{RTS}}_i$ pin ($i = 0$ to 8). When an input level at the pin becomes low, data transmission starts. If the input level changes to high during transmission, the transmission of the next data is stopped.

In synchronous serial interface mode, the transmitter is required to operate even during the receive operation. If CTS function is enabled, the input level at the $\overline{\text{CTS}}_i/\overline{\text{RTS}}_i$ pin should be low to start data reception as well.

RTS function indicates receiver status using the $\overline{\text{CTS}}_i/\overline{\text{RTS}}_i$ pin. When data reception is ready, the output level at the pin becomes low. It becomes high on the first falling edge of the CLKi pin.

18.2 Asynchronous Serial Interface Mode (UART Mode)

The UART mode enables data transmission/reception synchronized with an internal clock generated by a trigger on the falling edge of the start bit. Table 18.5 lists specifications of UART mode.

Table 18.5 UART Mode Specifications

Item	Specification
Data format	<ul style="list-style-type: none"> Start bit: 1-bit Data bit (data character): 7-bit, 8-bit, or 9-bit Parity bit: odd, even, or none Stop bit: 1-bit or 2-bit
Transmit/receive clock	<ul style="list-style-type: none"> The CKDIR bit in the UiMR register is 0 (internal clock) ($i = 0$ to 8): $\frac{f_x}{16(m+1)} \quad f_x = f1, f8, f2n; m: \text{UiBRG register setting value, 00h to FFh}$ The CKDIR bit is 1 (external clock) $\frac{f_{EXT}}{16(m+1)} \quad f_{EXT}: \text{Clock applied to the CLKi pin}$
Transmit/receive control	CTS function enabled, RTS function enabled, or CTS/RTS function disabled
Transmit start conditions	<p>The conditions for starting data transmission are as follows:</p> <ul style="list-style-type: none"> The TE bit in the UiC1 register is 1 (transmission enabled) The TI bit in the UiC1 register is 0 (data held in the UiTB register) Input level at the CTS$_i$ pin is low when CTS function is selected
Receive start conditions	<p>The conditions for starting data reception are as follows:</p> <ul style="list-style-type: none"> The RE bit in the UiC1 register is 1 (reception enabled) The start bit is detected
Interrupt request generating timing	<p>In transmit interrupt, one of the following conditions can be selected by setting the UiIRS bit in registers U0C1 to U6C1 and the U78CON register:</p> <ul style="list-style-type: none"> The UiIRS bit is 0 (transmit buffer is empty): when data is transferred from the UiTB register to the UART$_i$ transmit register (when the transmission has started) The UiIRS bit is 1 (transmission is completed): when data transmission from the UART$_i$ transmit register is completed <p>In receive interrupt,</p> <ul style="list-style-type: none"> When data is transferred from the UART$_i$ receive register to the UiRB register (when reception is completed)
Error detection	<ul style="list-style-type: none"> Overrun error ⁽¹⁾ This error occurs when 1 bit prior to the stop bit (when 1 stop bit length is selected) or the first stop bit (when 2 stop bit length is selected) of the next data is received before the UiRB register is read Framing error This error occurs when the required number of stop bits is not detected Parity error This error occurs when an even number of 1's in parity and character bits is detected while the odd number is set, or vice versa. The parity should be enabled Error sum flag This flag becomes 1 when any of overrun error, framing error, or parity error occurs
Other functions	<ul style="list-style-type: none"> Bit order selection LSB first or MSB first Serial data logic inversion This function logically inverts transmit/receive data. The start bit and stop bit are not inverted TXD/RXD I/O polarity switching The output level from the TXD pin and the input level to the RXD pin are inverted. All I/O levels are inverted

Note:

- The UiRB register is undefined when an overrun error occurs. The IR bit in the SiRIC register does not change to 1 (interrupt requested).

Tables 18.6 and 18.7 list register settings. When UART_i operating mode is selected, a high is output at the TXD_i pin until transmission starts (the TXD_i pin is high-impedance when the N-channel open drain output is selected) ($i = 0$ to 8). Figures 18.25 and 18.26 show examples of transmit operations in UART mode. Figure 18.27 shows an example of receive operation.

Table 18.6 Register Settings in UART Mode (UART0 to UART6)

Register	Bits	Function	
UiMR	IOPOL	Select I/O polarity of pins TXD and RXD	
	PRY and PRYE	Select parity enabled or disabled, and odd or even	
	STPS	Select a stop bit length	
	CKDIR	Select an internal clock or external clock	
	SMD2 to SMD0		Set the bits to 100b in 7-bit character length
			Set the bits to 101b in 8-bit character length
		Set the bits to 110b in 9-bit character length	
UiC0	UFORM	Select LSB first or MSB first in 8-bit character length. Set the bit to 0 in 7-bit or 9-bit character length	
	CKPOL	Set the bit to 0	
	5	Set the bit to 0	
	CRD	Select CTS function enabled or disabled	
	TXEPT	Transmit register empty flag	
	2	Set the bit to 0	
	CLK1 and CLK0	Select a count source for the UiBRG register	
UiC1	7	Set the bit to 0	
	UiLCH	Set the bit to 1 to use logic inversion	
	UiRRM	Set the bit to 0	
	UiIRS	Select an interrupt source for UART _i transmission	
	RI	Receive complete flag	
	RE	Set the bit to 1 to enable data reception	
	TI	Transmit buffer empty flag	
	TE	Set the bit to 1 to enable data transmission	
UiSMR	7 to 0	Set the bits to 00h	
UiSMR2	7 to 0	Set the bits to 00h	
UiSMR3	7 to 0	Set the bits to 00h	
UiSMR4	7 to 0	Set the bits to 00h	
UiBRG	7 to 0	Set the bit rate	
IFS0	IFS06	Select input pins for CLK3, RXD3, and $\overline{\text{CTS}}_3$	
	IFS03 and IFS02	Select input pins for CLK6, RXD6, and $\overline{\text{CTS}}_6$	
UiTB	8 to 0	Set the data to be transmitted ⁽¹⁾	
UiRB	OER, FER, PER, and SUM	Error flag	
	8 to 0	Received data is read ⁽¹⁾	

$i = 0$ to 6

Note:

- The bits used are as follows: 7-bit character length: bits 6 to 0
8-bit character length: bits 7 to 0
9-bit character length: bits 8 to 0

Table 18.7 Register Settings in UART Mode (UART7, UART8)

Register	Bits	Function
UiMR	PRY and PRYE	Select parity enabled or disabled, and odd or even
	STPS	Select a stop bit length
	CKDIR	Select an internal clock or external clock
	SMD2 to SMD0	Set the bits to 100b in 7-bit character length Set the bits to 101b in 8-bit character length Set the bits to 110b in 9-bit character length
UiC0	UFORM	Select LSB first or MSB first in 8-bit character length. Set the bit to 0 in 7-bit or 9-bit character length
	CKPOL	Set the bit to 0
	5	Set the bit to 0
	CRD	Select CTS function enabled or disabled
	TXEPT	Transmit register empty flag
	2	Set the bit to 0
	CLK1 and CLK0	Select a count source for the UiBRG register
UiC1	RI	Receive complete flag
	RE	Set the bit to 1 to enable data reception
	TI	Transmit buffer empty flag
	TE	Set the bit to 1 to enable data transmission
U78CON	UiRRM	Set the bit to 0
	UiIRS	Select an interrupt source for UARTi transmission
UiBRG	7 to 0	Set the bit rate
IFS0	IFS05	Select input pins for CLK7, RXD7, and $\overline{\text{CTS}}_7$
	IFS04	Select input pins for CLK8, RXD8, and $\overline{\text{CTS}}_8$
UiTB	8 to 0	Set the data to be transmitted ⁽¹⁾
UiRB	OER, FER, PER, and SUM	Error flag
	8 to 0	Received data is read ⁽¹⁾

i = 7, 8

Note:

- The bits used are as follows: 7-bit character length: bits 6 to 0
8-bit character length: bits 7 to 0
9-bit character length: bits 8 to 0

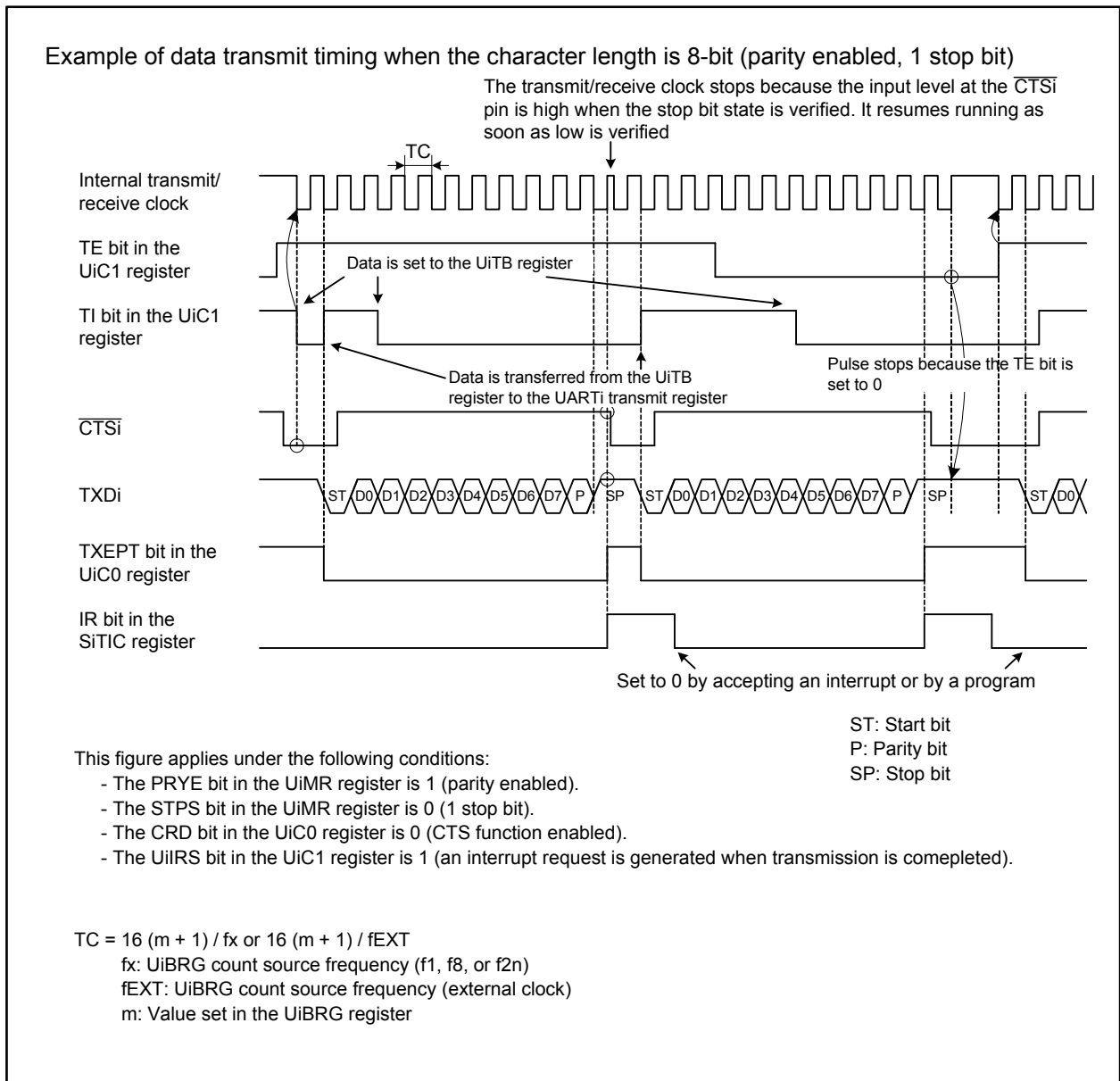


Figure 18.25 Transmit Operation in UART Mode (1/2) ($i = 0$ to 8)

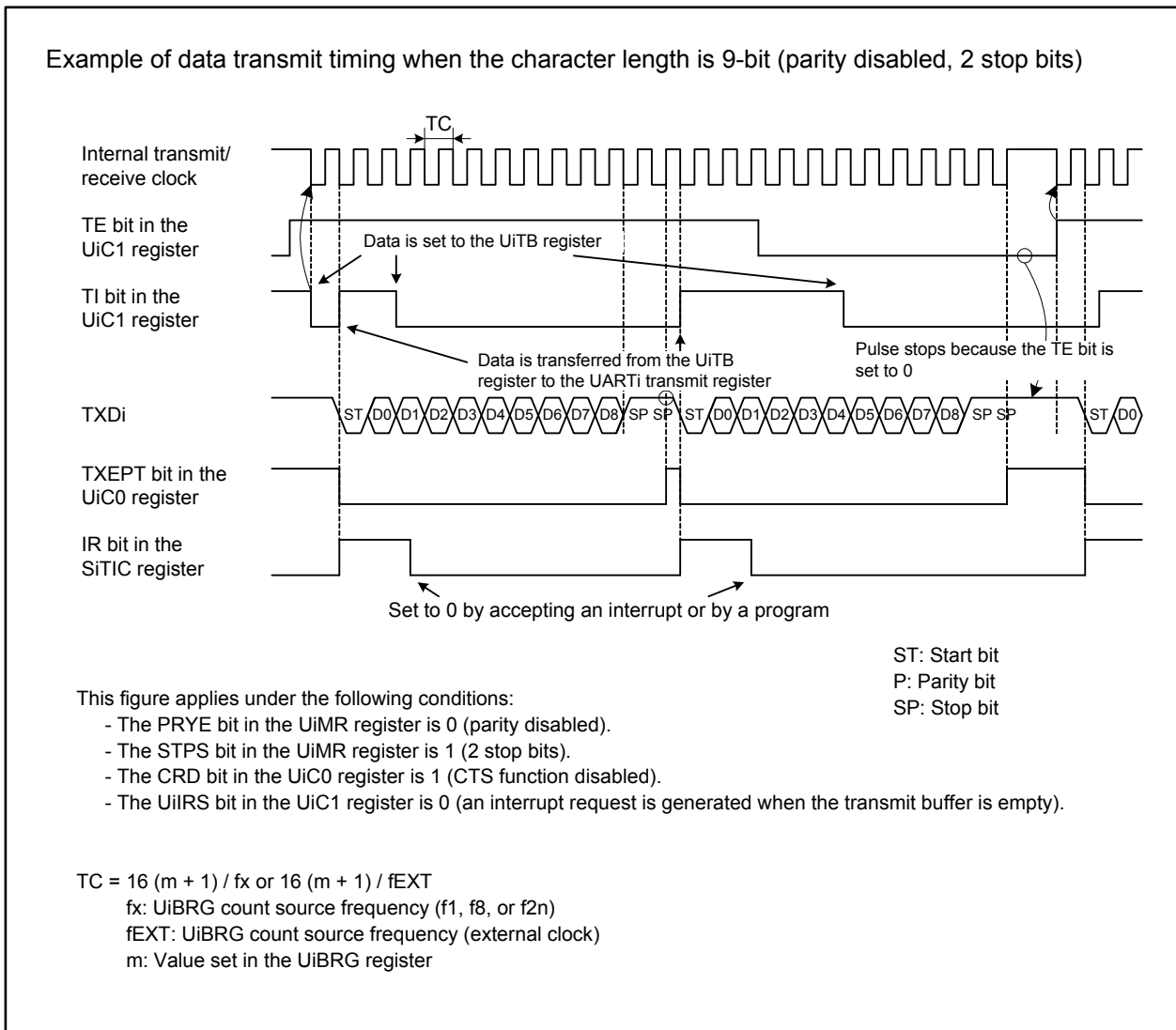


Figure 18.26 Transmit Operation in UART Mode (2/2) (i = 0 to 8)

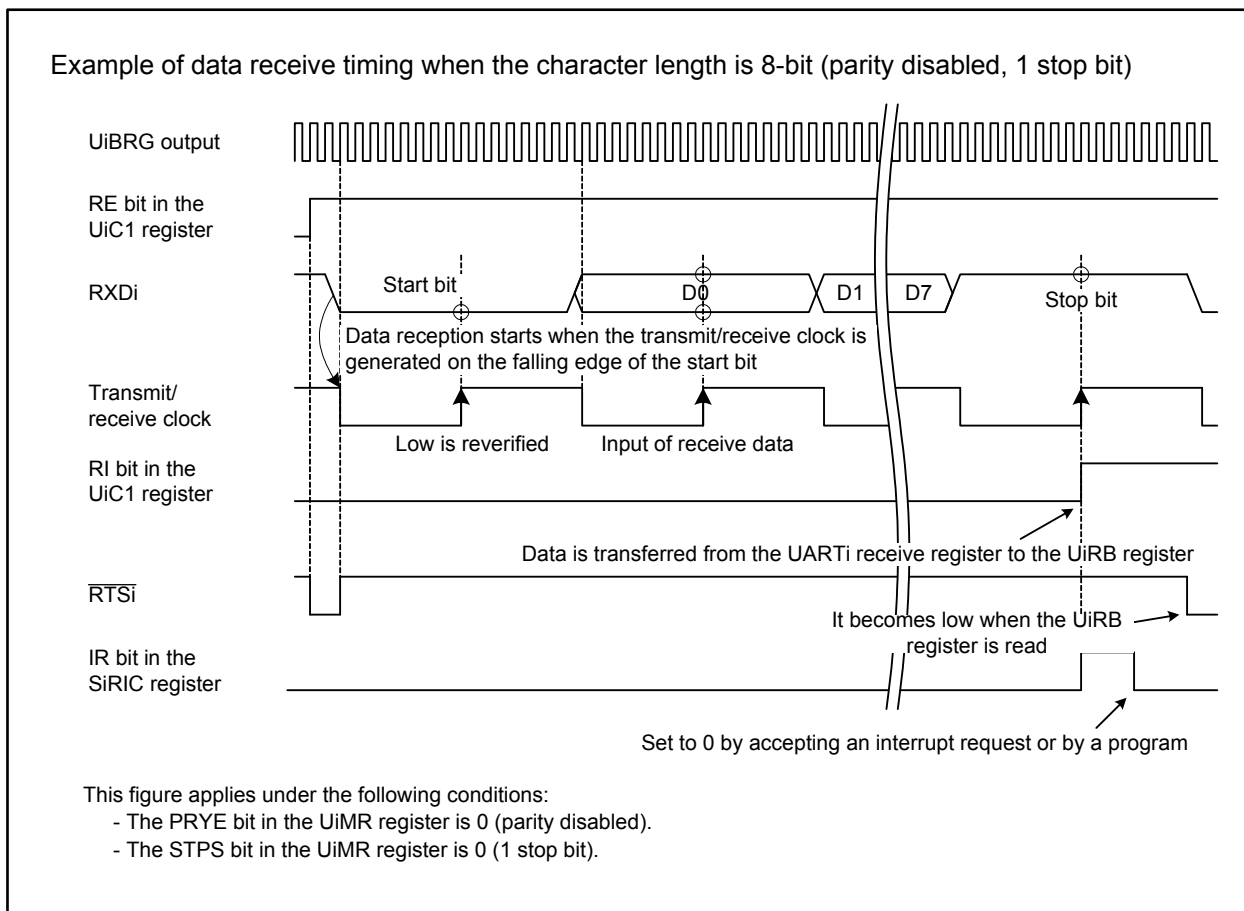


Figure 18.27 Receive Operation in UART Mode (i = 0 to 8)

18.2.1 Bit Rate

In UART mode, the bit rate is a clock frequency which is divided by a setting value of the UiBRG register and again divided by 16 (i = 0 to 8). Table 18.8 lists an example of bit rate setting.

Table 18.8 Bit Rate Setting

Bit Rate (bps)	Count Source of BRG	Peripheral Clock: 30 MHz		Peripheral Clock: 32 MHz	
		Setting value of BRG: n	Actual bit rate (bps)	Setting value of BRG: n	Actual bit rate (bps)
1200	f8	194 (C2h)	1202	207 (CHh)	1202
2400	f8	97 (61h)	2392	103 (67h)	2404
4800	f8	48 (30h)	4783	51 (33h)	4808
9600	f1	194 (C2h)	9615	207 (CFh)	9615
14400	f1	129 (81h)	14423	138 (8Ah)	14388
19200	f1	97 (61h)	19133	103 (67h)	19231
28800	f1	64 (40h)	28846	68 (44h)	28986
31250	f1	59 (3Bh)	31250	63 (3Fh)	31250
38400	f1	48 (30h)	38265	51 (33h)	38462
51200	f1	36 (24h)	50676	38 (26h)	51282

18.2.2 Reset Procedure on Transmit/Receive Error

When a transmit/receive error occurs in UART mode, follow the procedure below to perform a reset:

A. Reset procedure for the UiRB register ($i = 0$ to 8)

- (1) Set the RE bit in the UiC1 register to 0 (reception disabled).
- (2) Set the RE bit in the UiC1 register to 1 (reception enabled).

B. Reset procedure for the UiTB register

- (1) Set bits SMD2 to SMD0 in the UiMR register to 000b (serial interface disabled).
- (2) Set again bits SMD2 to SMD0 to either of 001b, 101b, or 110b.
- (3) Irrespective of its status, set the TE bit in the UiC1 register to 1 (transmission enabled).

18.2.3 LSB First and MSB First Selection

As shown in Figure 18.28, the bit order is selected by setting the UFORM bit in the UiC0 register ($i = 0$ to 8). This function is available when the character length is 8-bit.

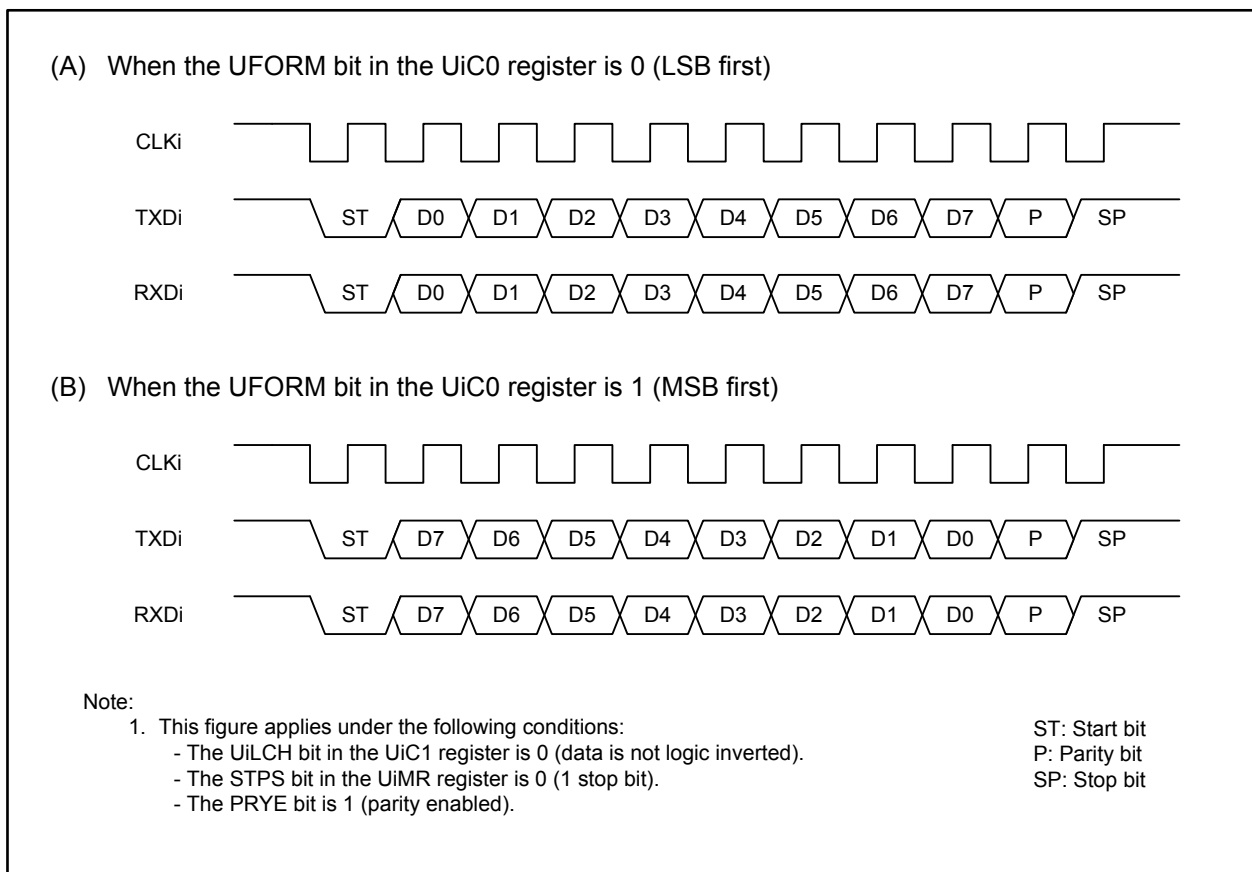


Figure 18.28 Bit Order ($i = 0$ to 8)

18.2.4 Serial Data Logic Inversion

When the UiLCH bit in the UiC1 register is 1 (data is logic inverted), the logical value written in the UiTB register is inverted before being transmitted ($i = 0$ to 6). The UiRB register is read as logic-inverted receive data. The parity bit is not inverted. Figure 18.29 shows the logic inversion of serial data.

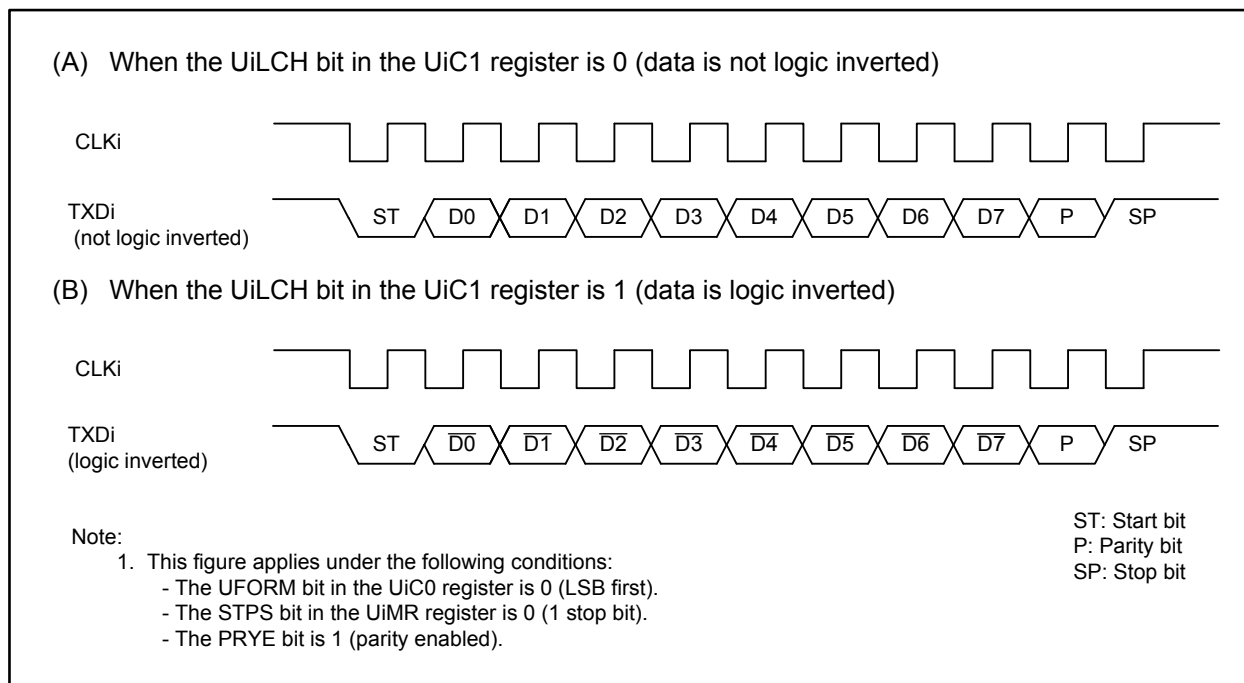


Figure 18.29 Serial Data Logic Inversion ($i = 0$ to 6)

18.2.5 TXD and RXD I/O Polarity Inversion

The output level at the TXD pin and the input level at the RXD pin are inverted by this function. All I/O data levels, including the start bit, stop bit, and parity bit are inverted by setting the IOPOL bit in the UiMR register to 1 (inverted) ($i = 0$ to 6). Figure 18.30 shows TXD and RXD I/O polarity inversion.

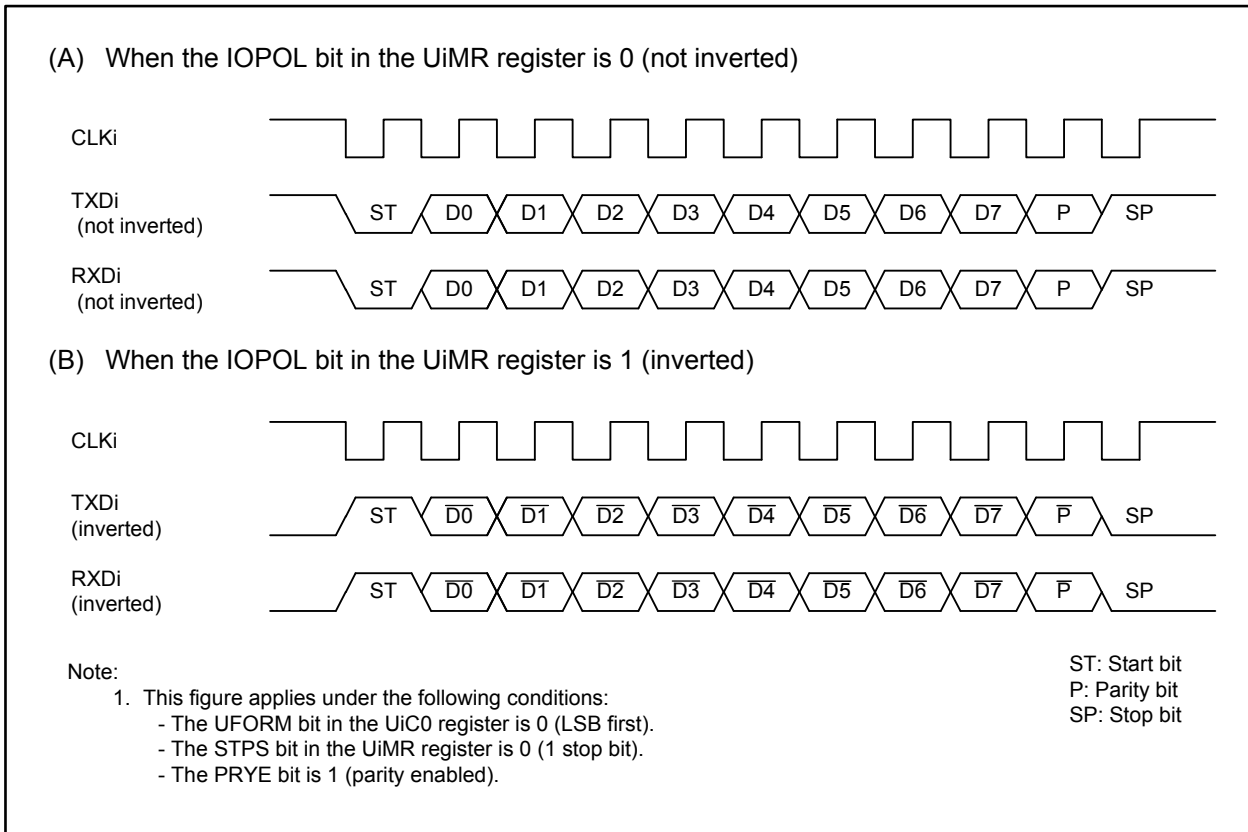


Figure 18.30 TXD and RXD I/O Polarity Inversion ($i = 0$ to 6)

18.2.6 CTS/RTS Function

CTS function controls data transmission using the $\overline{\text{CTS}}_i/\overline{\text{RTS}}_i$ pin ($i = 0$ to 8). When an input level at the pin becomes low, data transmission starts. If the input level changes to high during transmit operation, transmission of the next data is stopped.

RTS function indicates receiver status using the $\overline{\text{CTS}}_i/\overline{\text{RTS}}_i$ pin. When the MCU is ready to receive data, the output level at the pin becomes low. It becomes high on the first falling edge of the CLKi pin.

18.3 Special Mode 1 (I²C Mode)

This mode uses an I²C-typed interface for communication. Table 18.9 lists specifications of the I²C mode.

Table 18.9 I²C Mode Specifications

Item	Specification
Data format	8-bit character length
Transmit/receive clock	In master mode <ul style="list-style-type: none"> The CKDIR bit in the UiMR register is 0 (internal clock) (i = 0 to 6): $\frac{fx}{2(m+1)} \quad fx = f1, f8, f2n$ <p style="text-align: center;"><i>m</i>: UiBRG register setting value, 00h to FFh</p> In slave mode <ul style="list-style-type: none"> The CKDIR bit is 1 (external clock): input to the SCLi pin
Transmit start conditions	The conditions for starting data transmission are as follows ⁽¹⁾ : <ul style="list-style-type: none"> The TE bit in the UiC1 register is 1 (transmission enabled) The TI bit in the UiC1 register is 0 (data held in the UiTB register)
Receive start conditions	The conditions for starting data reception are as follows ⁽¹⁾ : <ul style="list-style-type: none"> The RE bit in the UiC1 register is 1 (reception enabled) The TE bit in the UiC1 register is 1 (transmission enabled) The TI bit in the UiC1 register is 0 (data held in the UiTB register)
Interrupt request generating timing	When any of the following is detected: START condition, STOP condition, NACK (not-acknowledge), or ACK (acknowledge)
Error detection	Overflow error ⁽²⁾ This error occurs when the eighth bit of the next data is received before the UiRB register is read
Other functions	<ul style="list-style-type: none"> Arbitration lost Update timing of the ABT bit in the UiRB register can be selected SDAi digital delay No digital delay or two to eight cycles of digital delay of UiBRG count source Clock phase setting Clock delayed or no clock delay

Notes:

- When an external clock is selected, the conditions should be met while the external clock signal is held high.
- The UiRB register is undefined when an overrun error occurs. The IR bit in the SiRIC register does not change to 1 (interrupt requested).

Table 18.10 lists register settings in I²C mode, and Tables 18.11 and 18.12 list I²C mode functions. Figure 18.31 shows a block diagram of I²C mode, and Figure 18.32 shows timings for the transfer to the UiRB register and the interrupt (i = 0 to 6).

As shown in Tables 18.11 and 18.12, UARTi enters this mode when bits SMD2 to SMD0 in the UiMR register are set to 010b, and the IICM bit in the UiSMR register is set to 1 (i = 0 to 6). Since a transmit signal at the SDAi pin is output via the delay circuit, it changes after the SCLi pin is stably held low.

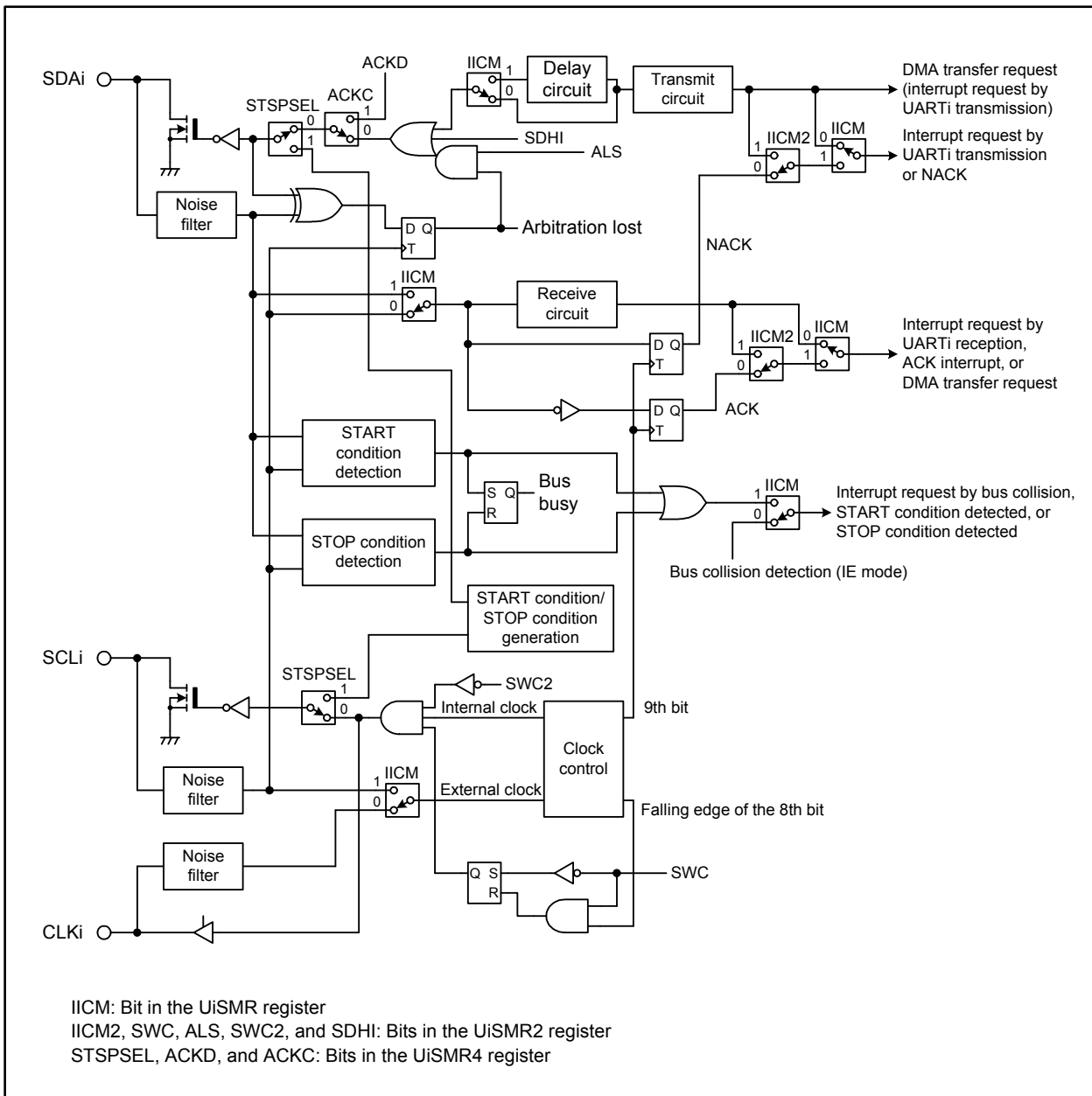


Figure 18.31 I²C Mode Block Diagram (i = 0 to 6)

Table 18.10 Register Settings in I²C Mode (i = 0 to 6)

Register	Bits	Function	
		Master	Slave
UiMR	IOPOL	Set the bit to 0	
	CKDIR	Set the bit to 0	Set the bit to 1
	SMD2 to SMD0	Set the bit to 010b	
UiC0	7 to 4	Set the bits to 1001b	
	TXEPT	Transmit register empty flag	
	2	Set the bit to 0	
	CLK1 and CLK0	Select a count source for the UiBRG register	Disabled
UiC1	7 to 5	Set the bits to 000b	
	UIIRS	Set the bit to 1	
	RI	Receive complete flag	
	RE	Set the bit to 1 to enable data reception	
	TI	Transmit buffer empty flag	
	TE	Set the bit to 1 to enable data transmission/reception	
UiSMR	7 to 3	Set the bits to 00000b	
	BBS	Bus busy flag	
	ABC	Select an arbitration lost detection timing	Disabled
	IICM	Set the bit to 1	
UiSMR2	7	Set the bit to 0	
	SDHI	Set the bit to 1 to disable the SDA output	
	SWC2	Set the bit to 1 to hold the SCL output at a forcible low	
	STC	Set the bit to 0	Set the bit to 1 to reset UARTi by detecting the START condition
	ALS	Set the bit to 1 to stop the output at the SDAi pin to detect an arbitration lost	Set the bit to 0
	SWC	Set the bit to 1 to hold a low output at the SCLi pin after receiving the eighth bit of the clock	
	CSC	Set the bit to 1 to enable clock synchronization	Set the bit to 0
	IICM2	Refer to Tables 18.11 and 18.12	
UiSMR3	DL2 to DL0	Set the digital delay value of SDAi	
	4 to 2	Set the bit to 000b	
	CKPH	Refer to Tables 18.11 and 18.12	
	SSE	Set the bit to 0	
UiSMR4	SWC9	Set the bit to 0	Set the bit to 1 to hold a low output at the SCLi pin after receiving the ninth bit of the clock
	SCLHI	Set the bit to 1 to stop the SCL output to detect STOP condition	Set the bit to 0
	ACKC	Set the bit to 1 for ACK data output	
	ACKD	Select ACK or NACK	
	STSPSEL	Set the bit to 1 when any condition is output	Set the bit to 0
	STPREQ	Set the bit to 1 to generate a STOP condition	Set the bit to 0
	RSTAREQ	Set the bit to 1 to generate a repeated START condition	Set the bit to 0
	STAREQ	Set the bit to 1 to generate a START condition	Set the bit to 0
UiBRG	7 to 0	Set the bit rate	Disabled
IFSR0	IFSR06 and IFSR07	Select a UART as interrupt source	
IFSR1	IFSR16	Select a UART as interrupt source	
IFS0	IFS06	Select input pins for SCL3 and SDA3	
	IFS03 and IFS02	Select input pins for SCL6 and SDA6	
UITB	8	Set the bit to 1 when transmitting. Set the bit to the value of the ACK bit when receiving	
	7 to 0	Set the data to be transmitted when transmitting. Set the register to FFh when receiving	
UirB	OER	Overrun error flag	
	ABT	Arbitration lost detection flag	Disabled
	8	D0 is loaded immediately after a receive interrupt occurs. ACK or NACK is loaded after a transmit interrupt occurs	
	7 to 0	D7 to D1 are read immediately after a receive interrupt occurs. D7 to D0 are read after a transmit interrupt occurs	

Table 18.11 I²C Mode Functions (i = 0 to 6) (1/2)

Function	Synchronous Serial Interface Mode (SMD2 to SMD0 are 001b, IICM is 0)	I ² C Mode (SMD2 to SMD0 are 010b, IICM is 1)			
		IICM2 is 0 (ACK/NACK interrupt)		IICM2 is 1 (Transmit/receive interrupt)	
		CKPH is 0 (No clock delay)	CKPH is 1 (Clock delayed)	CKPH is 0 (No clock delay)	CKPH is 1 (Clock delayed)
Source of software interrupt numbers 6 and 39 to 41 ⁽¹⁾ (refer to Figure 18.32)	—	START condition or STOP condition detection (refer to Table 18.13)			
Source of software interrupt numbers 2, 4, 17, 19, 33, 35, and 37 ⁽¹⁾ (refer to Figure 18.32)	UARTi transmission: Transmission started or completed (selected using the UiIRS register)	NACK detection: Rising edge of the ninth bit of SCLi	UARTi transmission: Rising edge of the ninth bit of SCLi	UARTi transmission: Falling edge of the ninth bit of SCLi	
Source of software interrupt numbers 3, 5, 18, 20, 34, 36, and 38 ⁽¹⁾ (refer to Figure 18.32)	UARTi reception: Receiving at eighth bit CKPOL is 0 (rising edge) CKPOL is 1 (falling edge)	ACK detection: Rising edge of the ninth bit of SCLi	UARTi reception: Falling edge of the eighth bit of SCLi		
Data transfer timing from the UARTi receive register to the UiRB register	CKPOL is 0 (rising edge) CKPOL is 1 (falling edge)	Rising edge of the ninth bit of SCLi	Falling edge of the eighth bit of SCLi	Falling edge of the eighth bit and rising edge of the ninth bit of SCLi	
UARTi transmit output delay	No delay	Delayed			
Pins P6_3, P6_7, P7_0, P7_3, P7_6, P9_2, P9_6, P11_0, P12_0, P15_0, and P15_4	TXDi output	SDAi I/O			
Pins P6_2, P6_6, P7_1, P7_5, P8_0, P9_1, P9_7, P11_2, P12_2, P15_2, and P15_5	RXDi input	SCLi I/O			
Pins P6_1, P6_5, P7_2, P7_4, P7_7, P9_0, P9_5, P11_1, P12_1, P15_1, and P15_6	Select CLKi input or output	— (Not used in I ² C mode)			

Note:

1. Steps to change an interrupt source are as follows:
 - (1) Disable the interrupt of the corresponding software interrupt number.
 - (2) Change the source of interrupt.
 - (3) Set the IR bit of the corresponding software interrupt number to 0 (no interrupt requested).
 - (4) Set bits ILVL2 to ILVL0 of the corresponding software interrupt number.

Table 18.12 I²C Mode Functions (i = 0 to 6) (2/2)

Function	Synchronous Serial Interface Mode (SMD2 to SMD0 are 001b, IICM is 0)	I ² C Mode (SMD2 to SMD0 are 010b, IICM is 1)			
		IICM2 is 0 (ACK/NACK interrupt)		IICM2 is 1 (Transmit/receive interrupt)	
		CKPH is 0 (No clock delay)	CKPH is 1 (Clock delayed)	CKPH is 0 (No clock delay)	CKPH is 1 (Clock delayed)
Read level at pins RXDi and SCLi	Readable irrespective of the port direction bit				
Default output value at the SDAi pin	—	High (Value set in the port Pi register if the I/O port is selected by output function select registers (i = 0 to 7))			
SCLi default and end values	—	High	Low	High	Low
DMA source (refer to Figure 18.32)	UARTi reception	ACK detection		UARTi reception: Falling edge of the eighth bit of SCLi	
Store received data	The first to eighth bits of received data are stored into bits 0 to 7 in the UiRB register	The first to eighth bits of received data are stored into bits 7 to 0 in the UiRB register		The first to seventh bits of received data are stored into bits 6 to 0 in the UiRB register and the eighth bit is stored into bit 8	Same as on the left column on the first data storing. ⁽¹⁾ The first to eighth bits of received data are stored into 7 to 0 bits in the UiRB register and the ninth bit is stored into bit 8 on the second data storing ⁽²⁾
Read received data	The UiRB register status is read as it is			Bits 6 to 0 in the UiRB register are read as bits 7 to 1 and bit 8 is read as bit 0	Same as on the left column on the first read. ⁽¹⁾ The UiRB register status is read as it is on the second read ⁽²⁾

Notes:

1. The first data transfer to the UiRB register starts on the rising edge of the eighth bit of SCLi.
2. The second data transfer to the UiRB register starts on the rising edge of the ninth bit of SCLi.

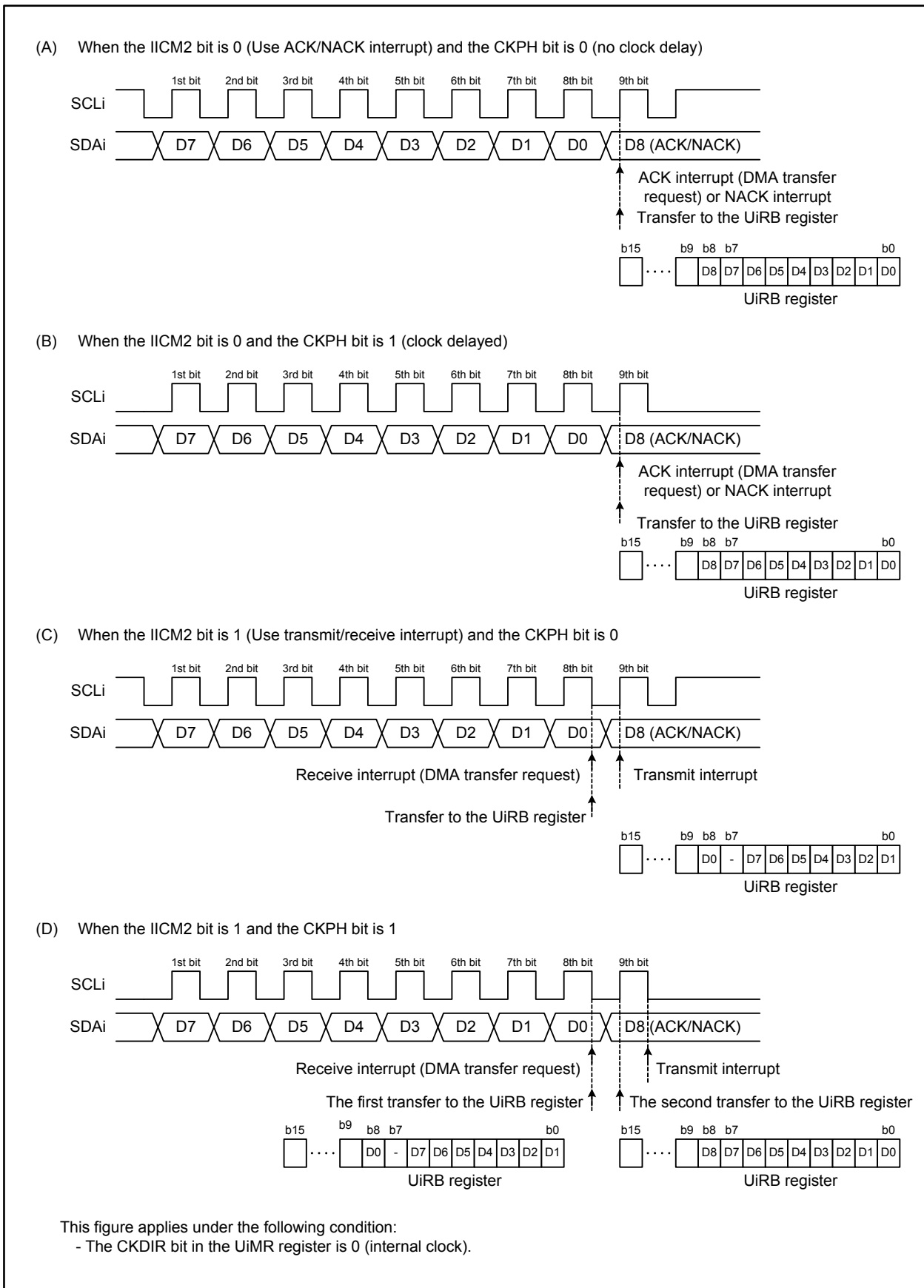


Figure 18.32 Timings for the Transfer and Interrupt to the UIRB Register (i = 0 to 6)

18.3.1 START Condition and STOP Condition Detection

The START condition and STOP condition are detected by their respective detectors.

The START condition detection interrupt request is generated by a high-to-low transition at the SDA_i pin while the SCL_i pin is held high ($i = 0$ to 6). The STOP condition detection interrupt request is generated by a low-to-high transition at the SDA_i pin while the SCL_i pin is held high.

The START condition detection interrupt shares interrupt control registers and vectors with the STOP condition detection interrupt. The BBS bit in the UiSMR register determines which interrupt is requested.

To detect a START condition or STOP condition, both set-up and hold times require at least six cycles of the peripheral clock (f_1) as shown in Figure 18.33. To meet the condition for the Fast-mode specification, f_1 must be at least 10 MHz.

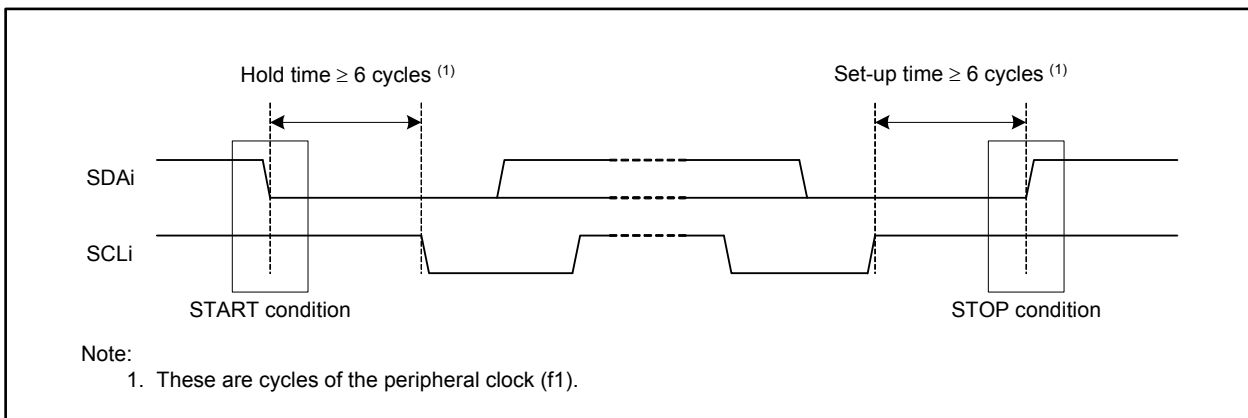


Figure 18.33 START Condition and STOP Condition Detection Timing ($i = 0$ to 6)

18.3.2 START Condition and STOP Condition Generation

The START condition, repeated START condition, and STOP condition are generated by bits STAREQ, RSTAREQ, and STPREQ in the UiSMR4 register, respectively ($i = 0$ to 6). To output a START condition, set the STSPSEL bit in the UiSMR4 register to 1 (select START condition/STOP condition generation circuit) after setting the STAREQ bit to 1 (start). To output a repeated START condition or STOP condition, set the STSPSEL bit to 1 after setting RSTAREQ bit or STPREQ bit to 1, respectively.

Table 18.13 and Figure 18.34 show the functions of the STSPSEL bit.

Table 18.13 STSPSEL Bit Functions

Function	STSPSEL is 0	STSPSEL is 1
START condition and STOP condition generation	Output is provided by the program with port (no auto generation by hardware)	START condition or STOP condition is output according to the STAREQ, RSTAREQ, or STPREQ bit
START condition and STOP condition interrupt request generating timing	When START condition or STOP condition is detected	When START condition or STOP condition generation is completed

18.3.4 SCL Control and Clock Synchronization

Data transmission/reception in I²C mode uses the transmit/receive clock as shown in Figure 18.32. The clock speed increase makes it difficult to secure the required time for ACK generation and data transmit procedure. I²C mode supports a function of wait-state insertion to secure this required time and a function of clock synchronization with a wait-state inserted by other devices.

The SWC bit in the UiSMR2 register is used to insert a wait-state for ACK generation ($i = 0$ to 6). When the SWC bit is 1 (hold the SCLi pin low after the eighth bit is received), the SCLi pin is held low on the falling edge of the eighth bit of the SCLi. When the SWC bit is 0 (no wait-state/wait-state cleared), the SCLi line is released.

When the SWC2 bit in the UiSMR2 register is 1 (hold the SCLi pin low), the SCLi pin is forced low even during transmission or reception. When the SWC2 bit is 0 (output the transmit/receive clock at the SCLi pin), the SCLi line is released to output the transmit/receive clock.

The SWC9 bit in the UiSMR4 register is used to insert a wait-state for checking received acknowledge bits. While the CKPH bit in the UiSMR3 register is 1 (clock delayed), when the SWC9 bit is set to 1 (hold the SCLi pin low after the ninth bit is received), the SCLi pin is held low on the falling edge of the ninth bit of the SCLi. When the SWC9 bit is set to 0 (no wait-state/wait-state cleared), the SCLi line is released.

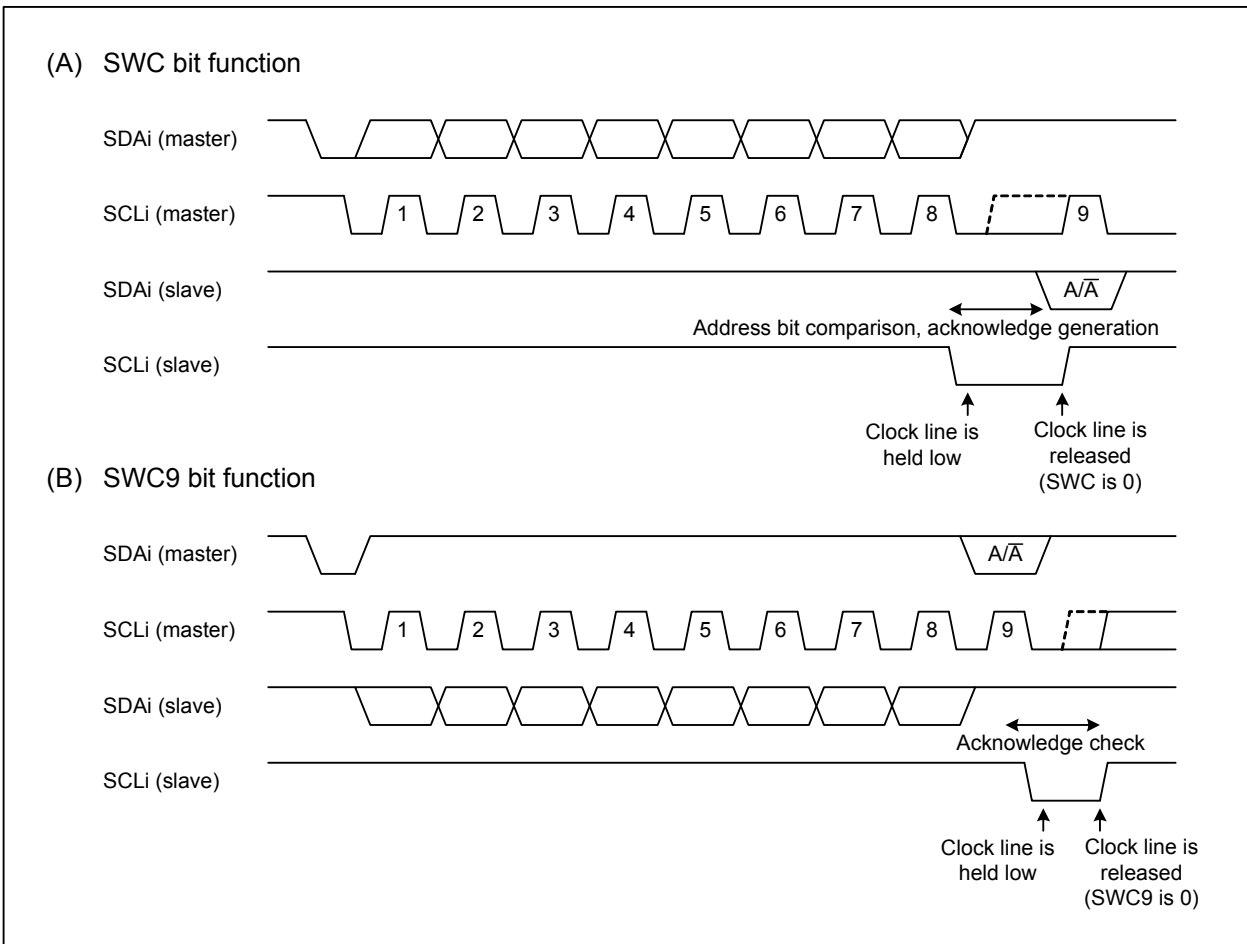


Figure 18.35 Wait-state Insertion Using the SWC or SWC9 Bit ($i = 0$ to 6)

The CSC bit in the UiSMR2 register is used to synchronize an internally generated clock with the clock applied to the SCLi pin. For example, if a wait-state is inserted from another device, the two clocks are not synchronized. While the CSC bit is 1 (clock synchronization enabled) and the internal clock is held high, when a high at the SCLi pin changes to low, the internal clock becomes low in order to reload the value of the UiBRG register and to resume counting. While the SCLi pin is held low, when the internal clock changes from low to high, the count is stopped until the SCLi pin becomes high. That is, the UARTi transmit/receive clock is the logical AND of the internal clock and the SCLi. The synchronized period starts from one clock prior to the first synchronized clock and ends when the ninth clock is completed. The CSC bit can be set to 1 only when the CKDIR bit in the UiMR register is 0 (internal clock).

The SCLHI bit in the UiSMR4 register is used to leave the SCLi pin open when another master generates a STOP condition while the master is in transmit/receive operation. If the SCLHI bit is set to 1 (stop SCLi output), the SCLi pin is open (the pin is high-impedance) when a STOP condition is detected and the clock output is stopped.

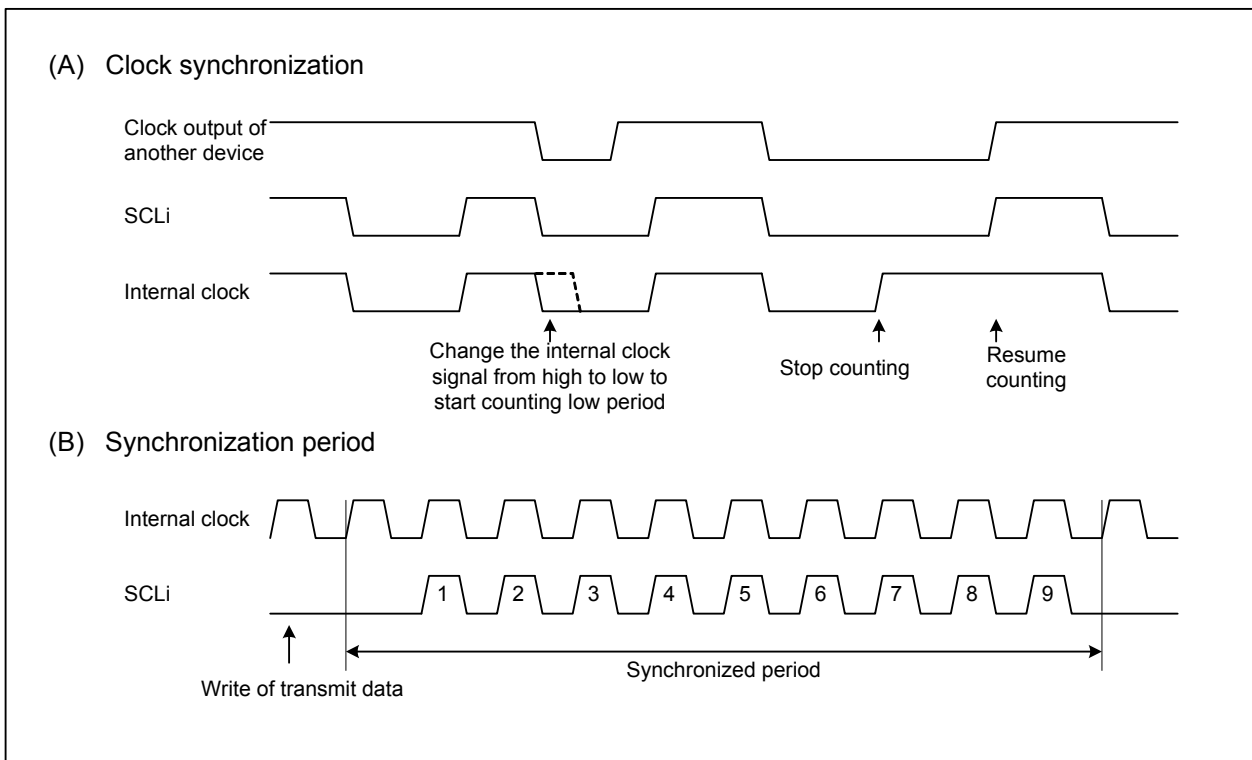


Figure 18.36 Clock Synchronization (i = 0 to 6)

18.3.5 SDA Output

Values set to bits 8 to 0 (D8 to D0) in the UiTB register are output starting from D7 to D0, and lastly D8, which is a bit for the acknowledge signal ($i = 0$ to 6). When transmitting, D8 should be set to 1 to free the bus. When receiving, D8 should be set to ACK or NACK.

Bits DL2 to DL0 in the UiSMR3 register set a delay time of the SDA_i on the falling edge of the SCL_i. Based on the UiBRG count source, the delay time can be selected from zero cycles (no delay) or two to eight cycles.

The SDA_i pin can be high-impedance at any given time once the SDHI bit in the UiSMR2 register is set to 1 (stop the output). Output at the SDA_i pin is low if an I/O port is selected for the SDA_i and the pin is specified as the output port after selecting I²C mode. In this case, if the SDHI bit is 1, the SDA_i pin becomes high-impedance.

When the SDHI bit is rewritten while the SCL_i pin is held high, a START condition or STOP condition is generated. When it is rewritten immediately before the rising edge of SCL_i, arbitration lost may be accidentally detected. Therefore, the SDHI bit should be rewritten so the SDA_i pin level changes while the SCL_i pin is low.

18.3.6 SDA Input

When the IICM2 bit in the UiSMR2 register is 0 (use ACK/NACK interrupt), the first 8 bits of received data (D7 to D0) are stored into bits 7 to 0 in the UiRB register and the ninth bit (ACK/NACK) is stored into bit 8 ($i = 0$ to 6).

When the IICM2 bit is 1, the first 7 bits of received data (D7 to D1) are stored into bits 6 to 0 in the UiRB register and eighth bit (D0) is stored into bit 8.

If the IICM2 bit is 1 and the CKPH bit in the UiSMR3 register is 1 (clock delayed), the same data that is set when the IICM2 bit is 0 can be read. To read this data, read the UiRB register after data in the ninth bit is latched on the rising edge of the SCL_i.

18.3.7 Acknowledge

When data is to be received in master mode, ACK is output after 8 bits are received by setting the UiTB register to 00FFh as dummy data. When the STSPSEL bit in the UiSMR4 register is 0 (select serial I/O circuit) and the ACKC bit is 1 (ACK data output), the value of the ACKD bit is output at the SDA_i pin ($i = 0$ to 6).

If the IICM2 bit is 0, a NACK interrupt request is generated when the SDA_i pin is high on the rising edge of the ninth bit of the SCL_i. An ACK interrupt request is generated when the SDA_i pin is low.

When the DMA request source is "UART_i receive interrupt request or ACK interrupt request", the DMA transfer starts when an ACK is detected.

18.3.8 Transmit/Receive Operation Reset

When the CKDIR bit in the UiMR register is 1 (external clock), the STC bit in the UiSMR2 register is 1 (initialize the circuit), and a START condition is detected, the following three operations are performed ($i = 0$ to 6):

- The transmit register is reset and the UiTB register value is transferred to the transmit register. New data transmission starts on the falling edge of the first bit of the next SCL_i as transmit clock. The transmit register value before the reset is output at the SDA_i pin in the period from the falling edge of the SCL_i until the first data output.
- The receive register is reset and the new data reception starts on the falling edge of the first bit of the next SCL_i.
- The SWC bit in the UiSMR2 register becomes 1 (hold the SCL_i pin low after the eighth bit is received).

The TI bit in the UiC1 register does not change when using this function to start the UART_i transmission/reception.

18.4 Special Mode 2

Special mode 2 enables serial communication between one or multiple masters and multiple slaves. The \overline{SS}_i input pin controls serial bus communication ($i = 0$ to 6). Table 18.14 lists specifications of special mode 2.

Table 18.14 Special Mode 2 Specifications

Item	Specification
Data format	8-bit character length
Transmit/receive clock	<ul style="list-style-type: none"> The CKDIR bit in the UiMR register is set to 0 (internal clock) ($i = 0$ to 6): $\frac{f_x}{2(m+1)} \quad f_x = f_1, f_8, f_{2n} \quad m: \text{UiBRG register setting value, 00h to FFh}$ The CKDIR bit is set to 1 (external clock): input to the CLKi pin
Transmit/receive control	SS function
Transmit start conditions	<p>The conditions for starting data transmission are as follows (1):</p> <ul style="list-style-type: none"> The TE bit in the UiC1 register is 1 (transmission enabled) The TI bit in the UiC1 register is 0 (data held in the UiTB register)
Receive start conditions	<p>The conditions for starting data reception are as follows (1):</p> <ul style="list-style-type: none"> The RE bit in the UiC register is 1 (reception enabled) The TE bit in the UiC1 register is 1 (transmission enabled) The TI bit in the UiC1 register is 0 (data held in the UiTB register)
Interrupt request generating timing	<p>In transmit interrupt, one of the following conditions can be selected by setting the UiIRS bit in registers U0C1 to U6C1:</p> <ul style="list-style-type: none"> The UiIRS bit is 0 (transmit buffer is empty): when data is transferred from the UiTB register to the UAR<i>T</i>_i transmit register (when the transmission has started) The UiIRS bit is 1 (transmission is completed): when data transmission from the UAR<i>T</i>_i transmit register is completed <p>In receive interrupt,</p> <ul style="list-style-type: none"> When data is transferred from the UAR<i>T</i>_i receive register to the UiRB register (when the reception is completed)
Error detection	<p>Overflow error (2)</p> <p>This error occurs when the seventh bit of the next data has been received before reading the UiRB register</p>
Other functions	<ul style="list-style-type: none"> CLK polarity Rising or falling edge of the transmit/receive clock for transfer data input and output Bit order selection LSB first or MSB first Continuous receive mode Data reception is enabled by a read access to the UiRB register Serial data logic inversion This function logically inverts transmit/receive data Clock phase selection One of four combinations of transmit/receive clock polarity and phases \overline{SS}_i input pin function Output pin can be high-impedance when the \overline{SS}_i pin is high

Notes:

- When selecting an external clock, the following preconditions should be met:
 - The CLKi pin is held high when the CKPOL bit in the UiC0 register is 0 (transmit data output on the falling edge of the transmit/receive clock and receive data input on the rising edge).
 - The CLKi pin is held low when the CKPOL bit is 1 (transmit data output on the rising edge of the transmit/receive clock and receive data input on the falling edge).
- The UiRB register is undefined when an overrun error occurs. The IR bit in the SiRIC register does not change to 1 (interrupt requested).

Table 18.15 lists register settings in special mode 2.

Table 18.15 Register Settings in Special Mode 2 (i = 0 to 6)

Register	Bits	Function
UiMR	7 to 4	Set the bits to 0000b
	CKDIR	Set the bit to 0 in master mode and set it to 1 in slave mode
	SMD2 to SMD0	Set the bits to 001b
UiC0	UFORM	Select either LSB first or MSB first
	CKPOL	Clock phase can be set by the combination of bits CKPOL and CKPH in the UiSMR3 register
	5	Set the bit to 0
	CRD	Set the bit to 1
	TXEPT	Transmit register empty flag
	2	Set the bit to 0
	CLK1 and CLK0	Select a count source for the UiBRG register
UiC1	7 and 6	Set the bits to 00b
	UiRRM	Set the bit to 1 to use continuous receive mode
	UiIRS	Select a source for UARTi transmit interrupt
	RI	Receive complete flag
	RE	Set the bit to 1 to enable data reception
	TI	Transmit buffer empty flag
	TE	Set the bit to 1 to enable data transmission/reception
UiSMR	7 to 0	Set the bits to 00h
UiSMR2	7 to 0	Set the bits to 00h
UiSMR3	7 to 5	Set the bits to 000b
	ERR	Mode fault flag
	3	Set the bit to 0
	DINC	Set to 0 in master mode and set to 1 in slave mode
	CKPH	Clock phase can be set by the combination of bits CKPH and CKPOL in the UiC0 register
	SSE	Set the bit to 1
UiSMR4	7 to 0	Set the bits to 00h
UiBRG	7 to 0	Set the bit rate
IFS0	IFS06	Select input pins for CLK3, RXD3, SRXD3, and $\overline{SS3}$
	IFS03 and IFS02	Select input pins for CLK6, RXD6, SRXD6, and $\overline{SS6}$
UiTB	7 to 0	Set the data to be transmitted
UiRB	OER	Overrun error flag
	7 to 0	Received data is read

18.4.1 \overline{SS}_i Input Pin Function (i = 0 to 6)

Special mode 2 is selected by setting the SSE bit in the UiSMR3 register to 1 (SS function enabled). The $\overline{CTS}_i/\overline{RTS}_i/\overline{SS}_i$ pin functions as \overline{SS}_i input.

The DINC bit in the UiSMR3 register determines which MCU performs as a master or slave.

When multiple MCUs perform as masters (multi-master system), the \overline{SS}_i pin setting determines which master MCU is active and when.

18.4.1.1 SS Function in Slave Mode

When the DINC bit is 1 (slave mode) while input at the \overline{SS}_i pin is high, the STXD_i pin becomes high-impedance and the clock input at the CLK_i pin is ignored. When input at the \overline{SS}_i pin is low, the clock input is valid and serial data is output from the STXD_i pin to enable serial communication.

18.4.1.2 SS Function in Master Mode

When the DINC bit is 0 (master mode) while input at the \overline{SS}_i pin is high, which means there is the only one master MCU or no other master MCU is active, the MCU as master starts communication. The master provides the transmit/receive clock output at the CLK_i pin. When input at the \overline{SS}_i pin is low, which means that there are more masters, pins TXD_i and CLK_i become high-impedance. This error is called a mode fault. It can be verified using the ERR bit in the UiSMR3 register. The ongoing data transmission/reception does not stop even if a mode fault occurs. To stop transmission/reception, bits SMD2 to SMD0 in the UiMR register should be set to 000b (serial interface disabled).

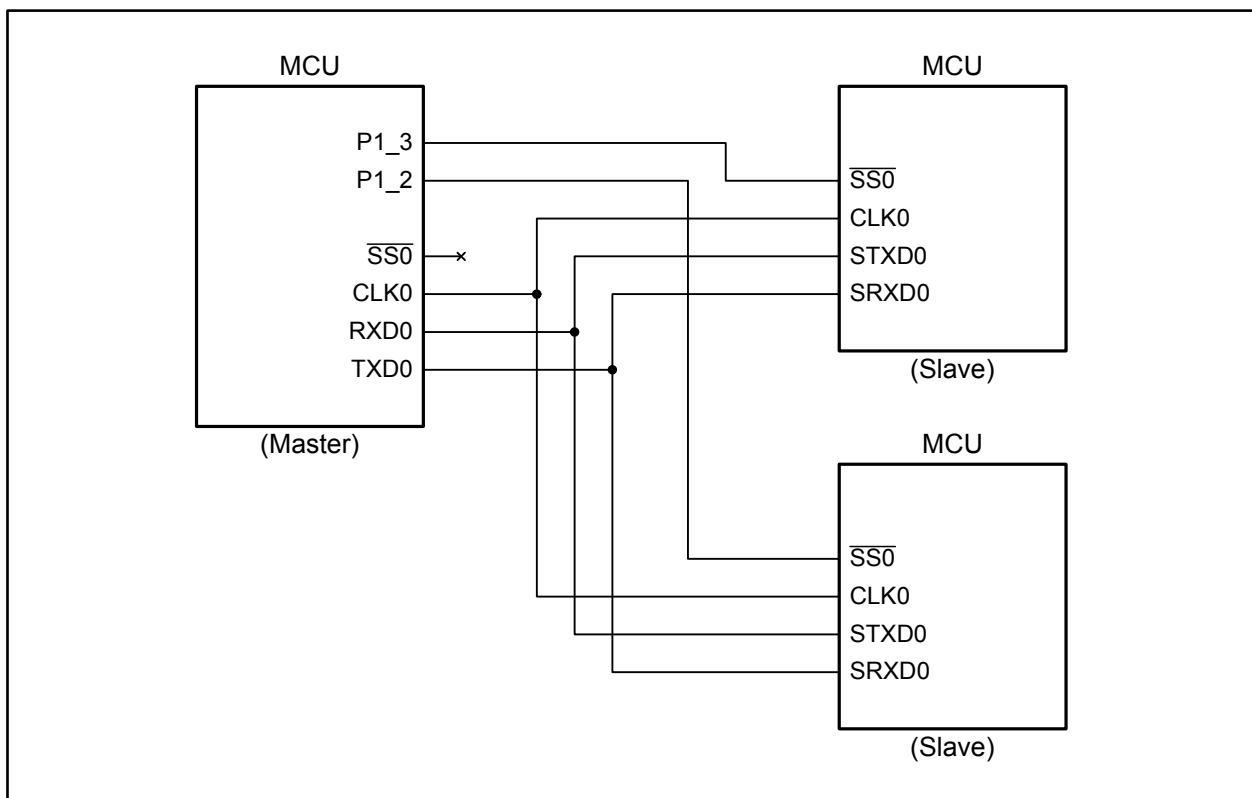


Figure 18.37 Serial Bus Communication Control with the \overline{SS}_i Pin

18.4.2 Clock Phase Setting

The CKPH bit in the UiSMR3 register and the CKPOL bit in the UiC0 register select one of four combinations of transmit/receive clock polarity and serial clock phase ($i = 0$ to 6).

The transmit/receive clock phase and polarity should be identical for the master device and the communicating slave device.

18.4.2.1 Transmit/Receive Timing in Master Mode

When the DINC bit is 0 (master mode), the CKDIR bit in the UiMR register should be set to 0 (internal clock) to generate the clock. Figure 18.38 shows transmit/receive timing of each clock phase.

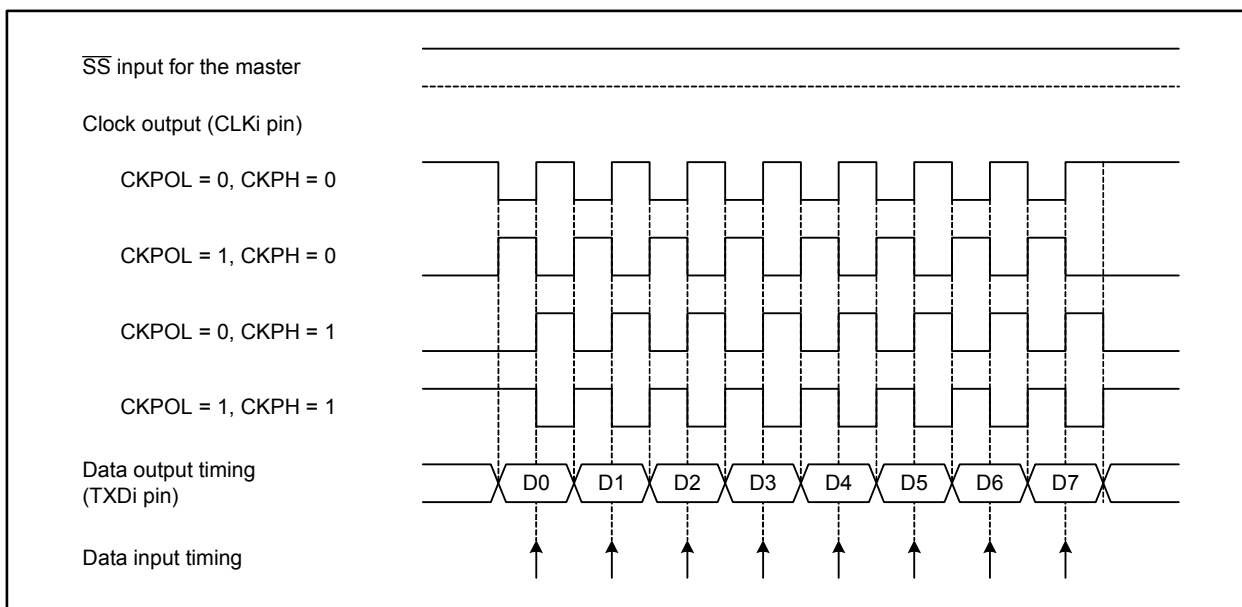


Figure 18.38 Transmit/Receive Timing in Master Mode

18.4.2.2 Transmit/Receive Timing in Slave Mode

When the DINC bit is 1 (slave mode), the CKDIR bit in the UIMR register should be set to 1 (external clock).

When the CKPH bit is 0 (no clock delay) while input at the \overline{SSi} pin is high, the STXD_i pin becomes high-impedance. When input at the \overline{SSi} pin is low, the conditions for data transmission are all met, but output is undefined. Then the data transmission/reception starts synchronizing with the clock. Figure 18.39 shows the transmit/receive timing.

When the CKPH bit is 1 (clock delayed) while input at the \overline{SSi} pin is high, the STXD_i pin becomes high-impedance. When input at the \overline{SSi} pin is low, the first data is output. Then the data transmission starts synchronizing with the clock. Figure 18.40 shows the transmit/receive timing.

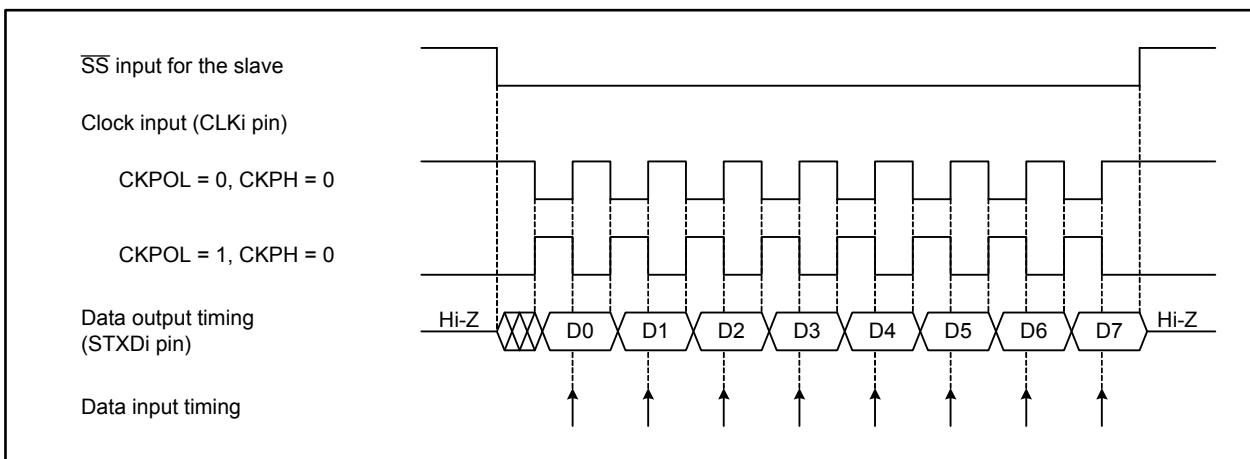


Figure 18.39 Transmit/Receive Timing in Slave Mode (CKPH = 0)

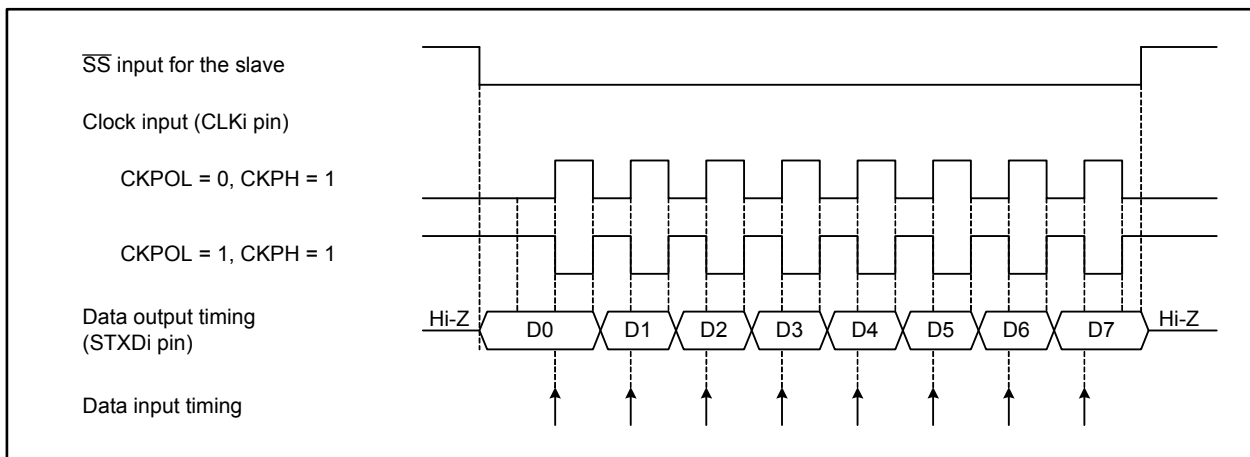


Figure 18.40 Transmit/Receive Timing in Slave Mode (CKPH = 1)

18.5 Notes on Serial Interface

18.5.1 Changing the UiBRG Register (i = 0 to 8)

- Set the UiBRG register after setting bits CLK1 and CLK0 in the UiC0 register. When these bits are changed, the UiBRG register must be set again.
- When a clock is input immediately after the UiBRG register is set to 00h, the counter may become FFh. In this case, it requires extra 256 clocks to reload 00h to the register. Once 00h is reloaded, the counter performs the operation without dividing the count source according to the setting.

18.5.2 Synchronous Serial Interface Mode

18.5.2.1 Selecting an External Clock

- If an external clock is selected, the following conditions must be met while the external clock is held high when the CKPOL bit in the UiC0 register is 0 (transmit data output on the falling edge of the transmit/receive clock and receive data input on the rising edge), or while the external clock is held low when the CKPOL bit is 1 (transmit data output on the rising edge of the transmit/receive clock and receive data input on the falling edge) (i = 0 to 8):
 - The TE bit in the UiC1 register is 1 (transmission enabled).
 - The RE bit in the UiC1 register is 1 (reception enabled). This bit setting is not required when only transmitting.
 - The TI bit in the UiC1 register is 0 (data held in the UiTB register).

18.5.2.2 Receive Operation

- In synchronous serial interface mode, the transmit/receive clock is controlled by the transmit control circuit. Set UARTi-associated registers for a transmit operation, even if the MCU is used only for receive operation (i = 0 to 8). Dummy data is output from the TXDi pin while receiving when the TXDi pin is set to output mode.
- When data is received continuously, an overrun error occurs when the RI bit in the UiC1 register is 1 (data held in the UiRB register) and the seventh bit of the next data is received in the UARTi receive shift register. Then, the OER bit in the UiRB register becomes 1 (overrun error occurred). In this case, the UiRB register becomes undefined. If an overrun error occurs, the IR bit in the SiRIC register does not change to 1.

18.5.3 Special Mode 1 (I²C Mode)

- To generate a START condition, STOP condition, or repeated START condition, set the STSPSEL bit in the UiSMR4 register to 0 (i = 0 to 6). Then, wait at least a half clock cycle of the transmit/receive clock to change the condition generate bits (STAREQ, RSTAREQ, or STPREQ bit) from 0 to 1.

18.5.4 Reset Procedure on Communication Error

Operations which result in communication errors such as rewriting function select registers during transmission/reception should not be performed. Follow the procedure below to reset the internal circuit once the communication error occurs in the following cases: when the operation above is performed by a receiver or transmitter or when a bit slip is caused by noise.

A. Synchronous Serial Interface Mode

- (1) Set the TE bit in the UiC1 register to 0 (transmission disabled) and the RE bit to 0 (reception disabled) (i = 0 to 8).
- (2) Set bits SMD2 to SMD0 in the UiMR register to 000b (serial interface disabled).
- (3) Set bits SMD2 to SMD0 in the UiMR register to 001b (synchronous serial interface mode).
- (4) Set the TE bit in the UiC1 register to 1 (transmission enabled) and the RE bit to 1 (reception enabled) if necessary.

B. UART Mode

- (1) Set the TE bit in the UiC1 register to 0 (transmission disabled) and the RE bit to 0 (reception disabled).
- (2) Set bits SMD2 to SMD0 in the UiMR register to 000b (serial interface disabled).
- (3) Set bits SMD2 to SMD0 in the UiMR register to 100b (UART mode, 7-bit character length), 101b (UART mode, 8-bit character length), or 110b (UART mode, 9-bit character length).
- (4) Set the TE bit in the UiC1 register to 1 (transmission enabled) and the RE bit to 1 (reception enabled) if necessary.

19. A/D Converter

The A/D converter consists of one 10-bit successive approximation A/D converter with a capacitive coupling amplifier.

A/D converted results are stored in the A/D registers corresponding to selected pins. Results are stored in the AD00 register only when the DMAC operating mode is enabled.

When the A/D converter is not in use, power consumption can be reduced by setting the VCUT bit in the AD0CON1 register to 0 (VREF disconnected). This bit setting enables the power supply from the VREF pin to the resistor ladder to stop.

Table 19.1 lists specifications of the A/D converter. Figure 19.1 shows a block diagram of the A/D converter. Figures 19.2 to 19.7 show registers associated with the A/D converter.

Table 19.1 A/D Converter Specifications

Item	Specification
A/D conversion method	Capacitance-based successive approximation
Analog input voltage ⁽¹⁾	0 V to AVCC (VCC)
Operating clock, ϕ AD ⁽²⁾	fAD, fAD divided by 2, fAD divided by 3, fAD divided by 4, fAD divided by 6, or fAD divided by 8
Resolution	8 bits or 10 bits
Operating modes	One-shot mode, repeat mode, single sweep mode, repeat sweep mode 0, repeat sweep mode 1, multi-port single sweep mode, multi-port repeat sweep mode 0
Analog input pins ⁽³⁾	34 ⁽⁴⁾ 8 pins each for AN, AN0, AN2, and AN15 ⁽⁵⁾ 2 function-extended input pins (ANEX0 and ANEX1)
A/D conversion start conditions	<ul style="list-style-type: none"> • Software trigger The ADST bit in the AD0CON0 register is set to 1 (A/D conversion started) by a program • External trigger (retrigger is enabled) An input signal at the $\overline{\text{ADTRG}}$ pin switches from high to low after the ADST bit is set to 1 by a program • Hardware trigger (retrigger is enabled) <ul style="list-style-type: none"> • Generation of a timer B2 interrupt request which has passed through the circuit to set an interrupt generating frequency in the three-phase motor control timers after the ADST bit is set to 1 by a program
Conversion rates per pin	<ul style="list-style-type: none"> • Without sample and hold function 49 ϕAD cycles at 8-bit resolution 59 ϕAD cycles at 10-bit resolution including 2 ϕAD cycles for sampling time • With sample and hold function 28 ϕAD cycles at 8-bit resolution 33 ϕAD cycles at 10-bit resolution including 3 ϕAD cycles for sampling time

Notes:

1. The analog input voltage is not dependent on whether the sample and hold function is enabled or disabled.
2. The ϕ AD frequency should be as follows:
 - When VCC = 4.2 to 5.5 V, 16 MHz or below
 - When VCC = 3.0 to 4.2 V, 10 MHz or below
 - When not using the sample and hold function, 250 kHz or above
 - When using the sample and hold function, 1 MHz or above
3. When AVCC = VREF = VCC, A/D input voltage for pins AN_0 to AN_7, AN0_0 to AN0_7, AN2_0 to AN2_7, AN15_0 to AN15_7, ANEX0, and ANEX1 should be VCC or lower.
4. Specification of the 144-pin package. In the 100-pin package, 26 channels are available.
5. Pins AN15_0 to AN15_7 are not available in the 100-pin package.

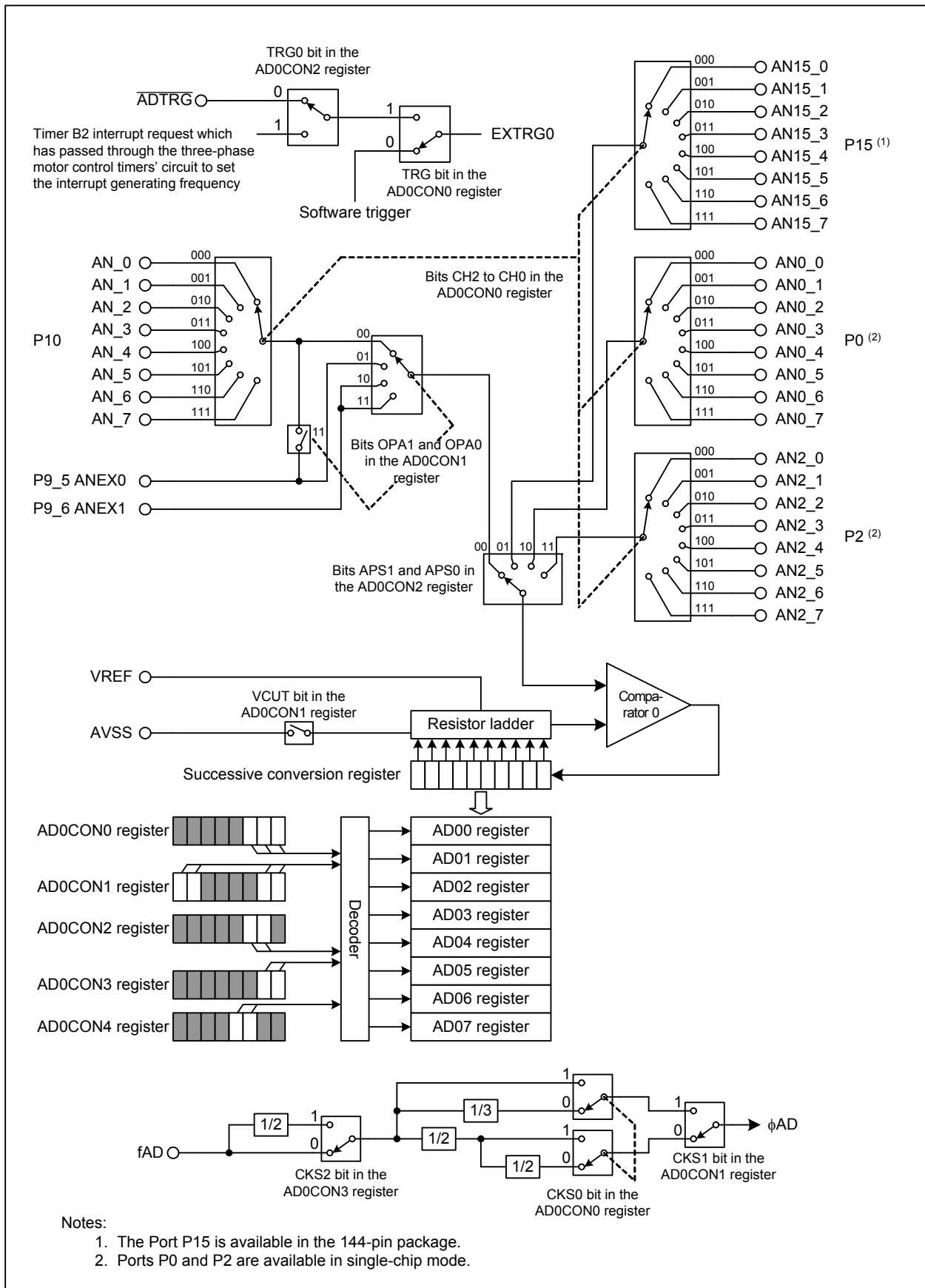


Figure 19.1 A/D Converter Block Diagram

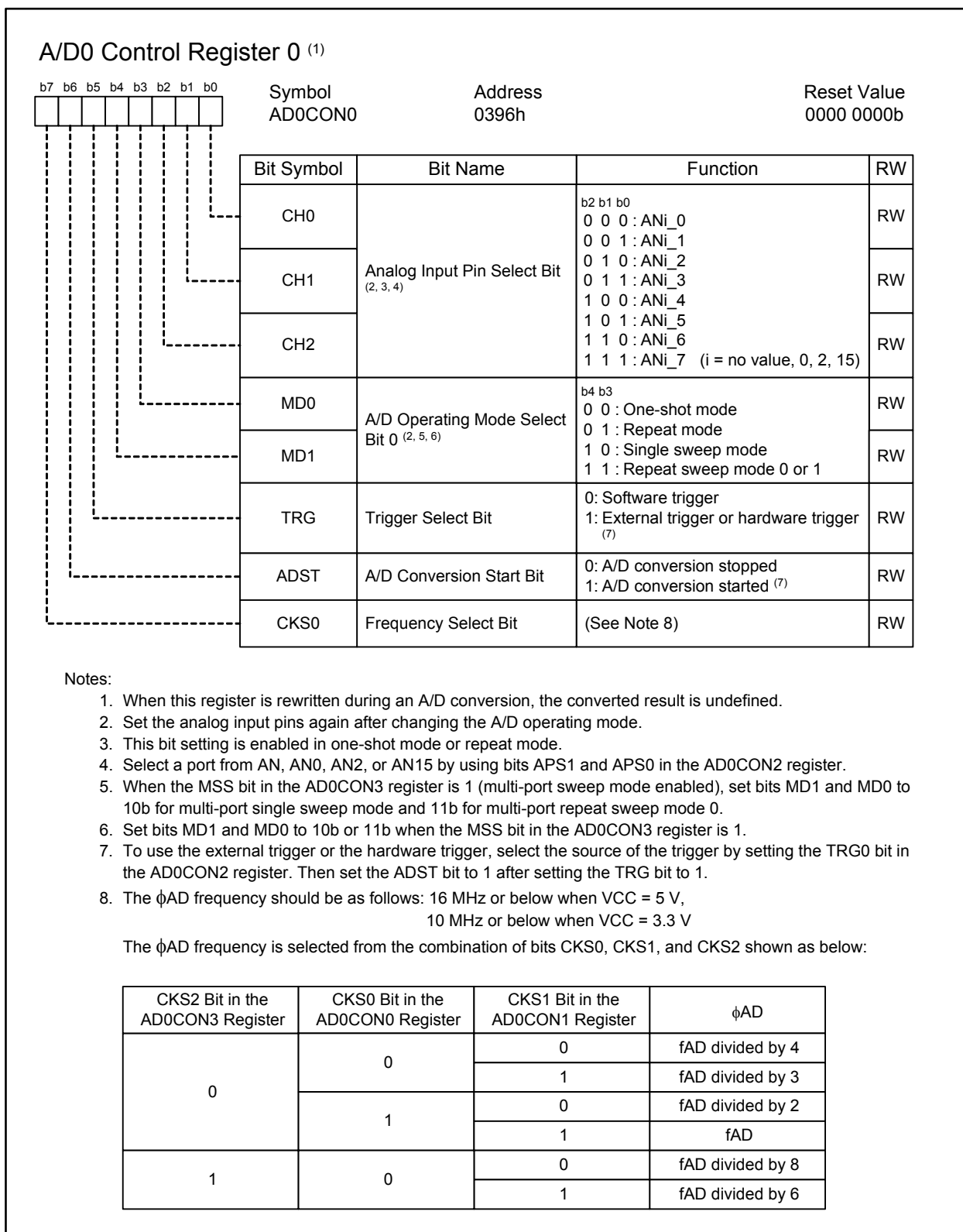


Figure 19.2 AD0CON0 Register

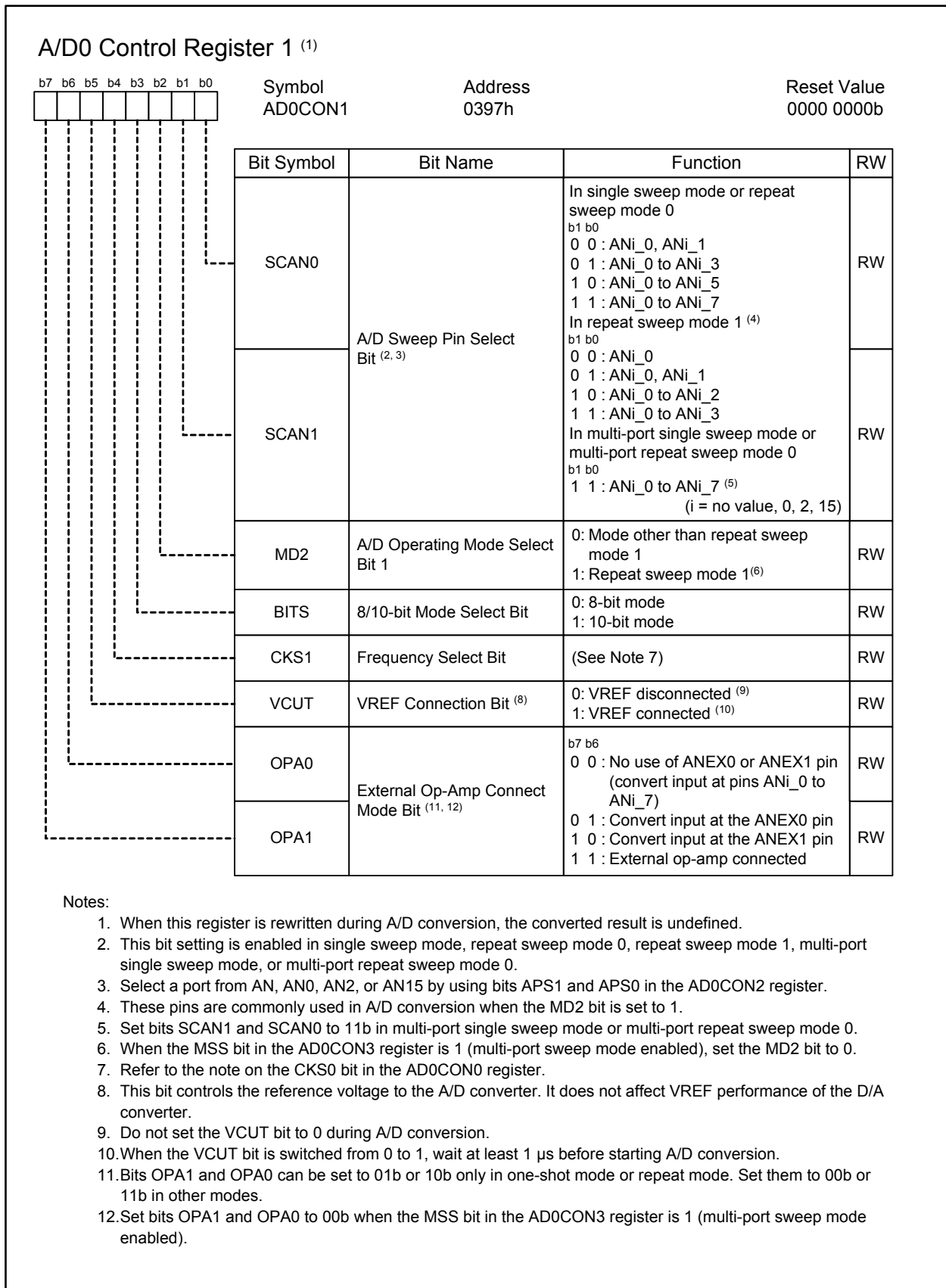


Figure 19.3 AD0CON1 Register

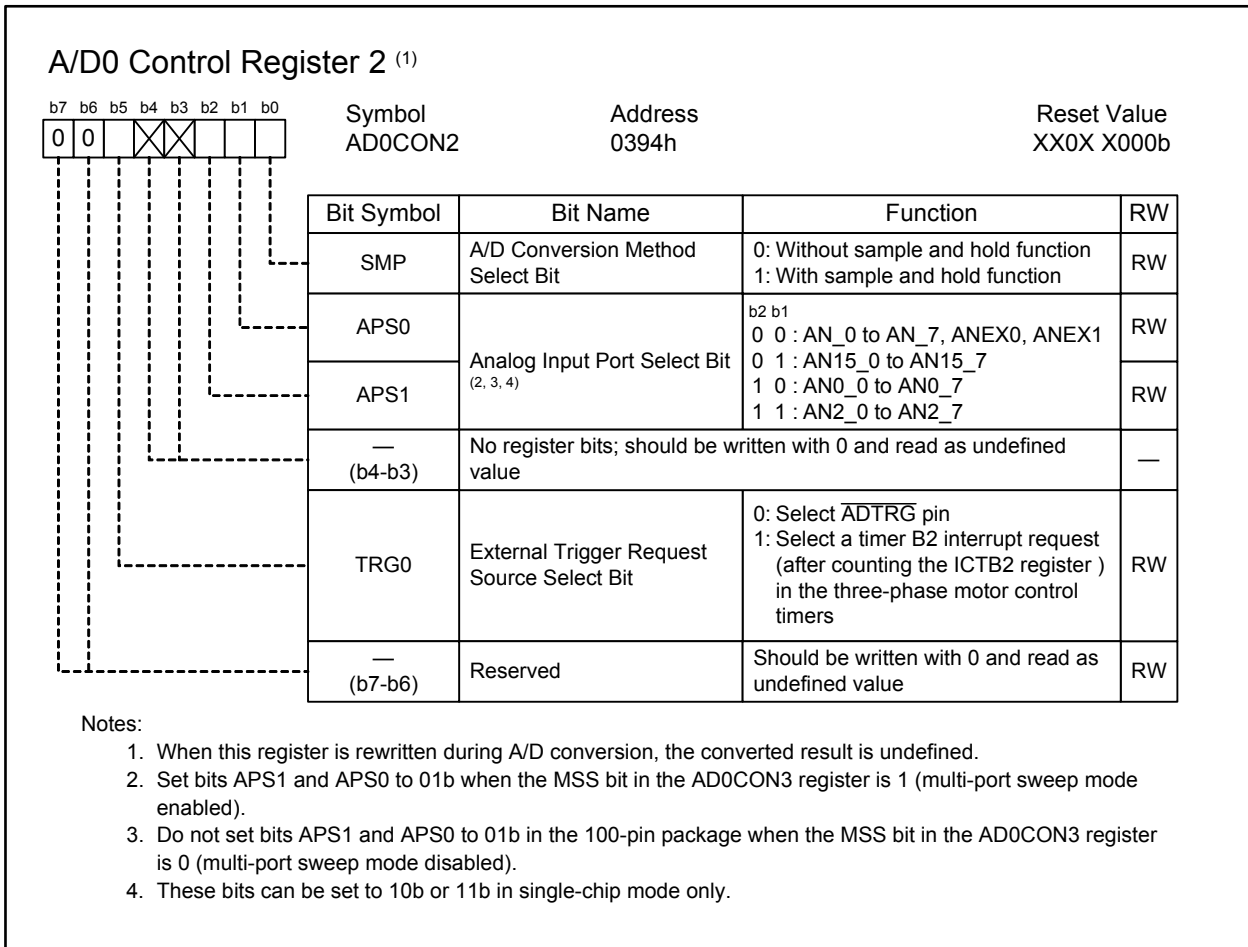


Figure 19.4 AD0CON2 Register

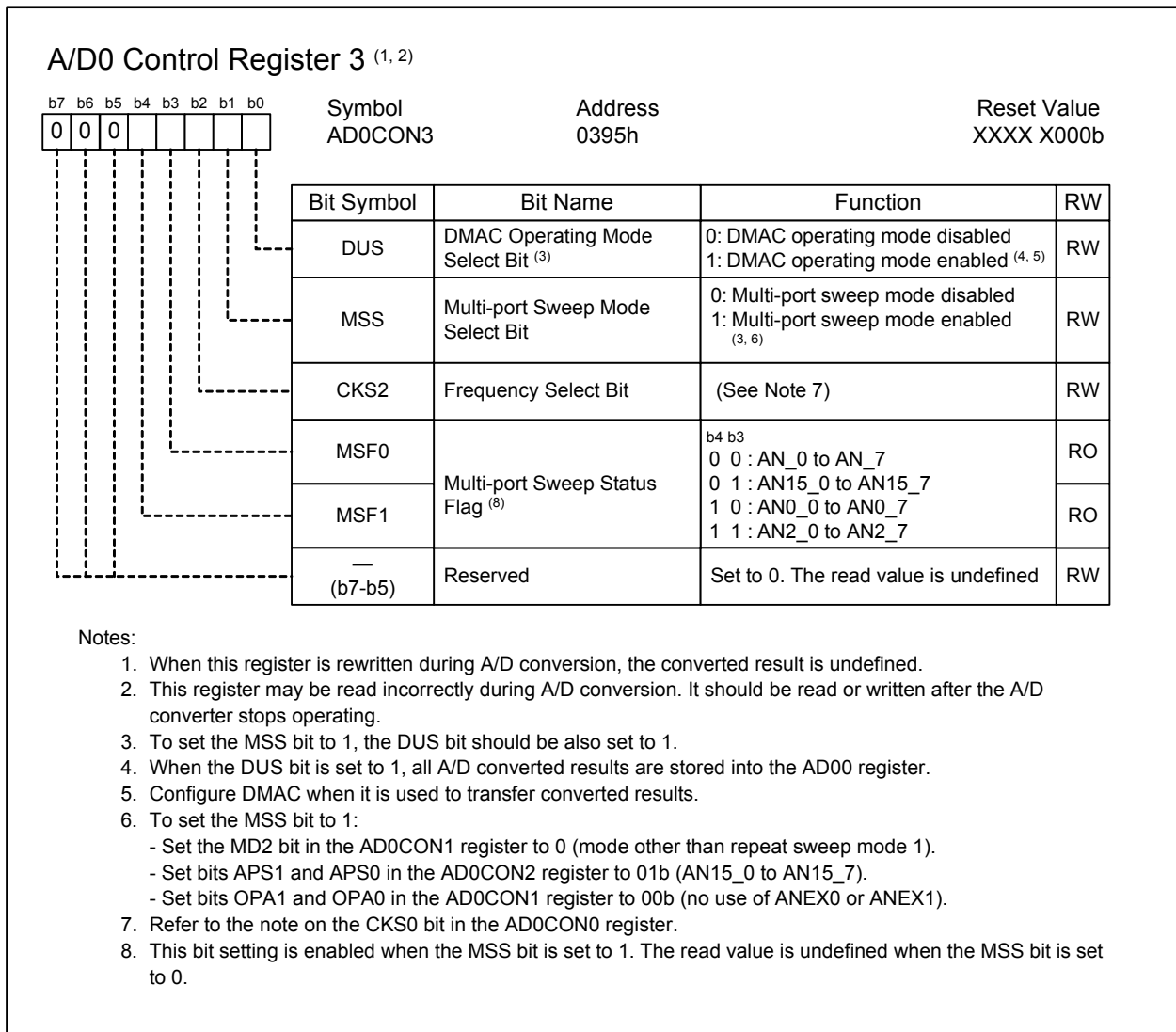


Figure 19.5 AD0CON3 Register

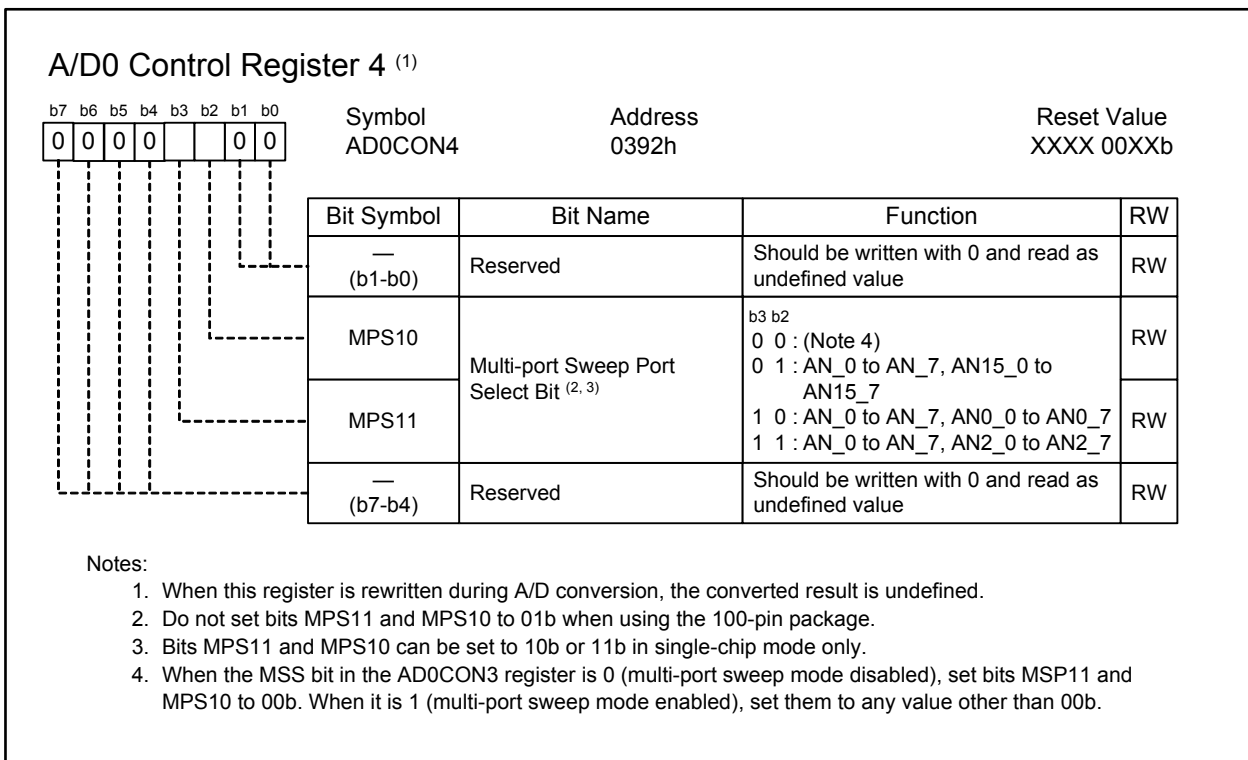


Figure 19.6 AD0CON4 Register

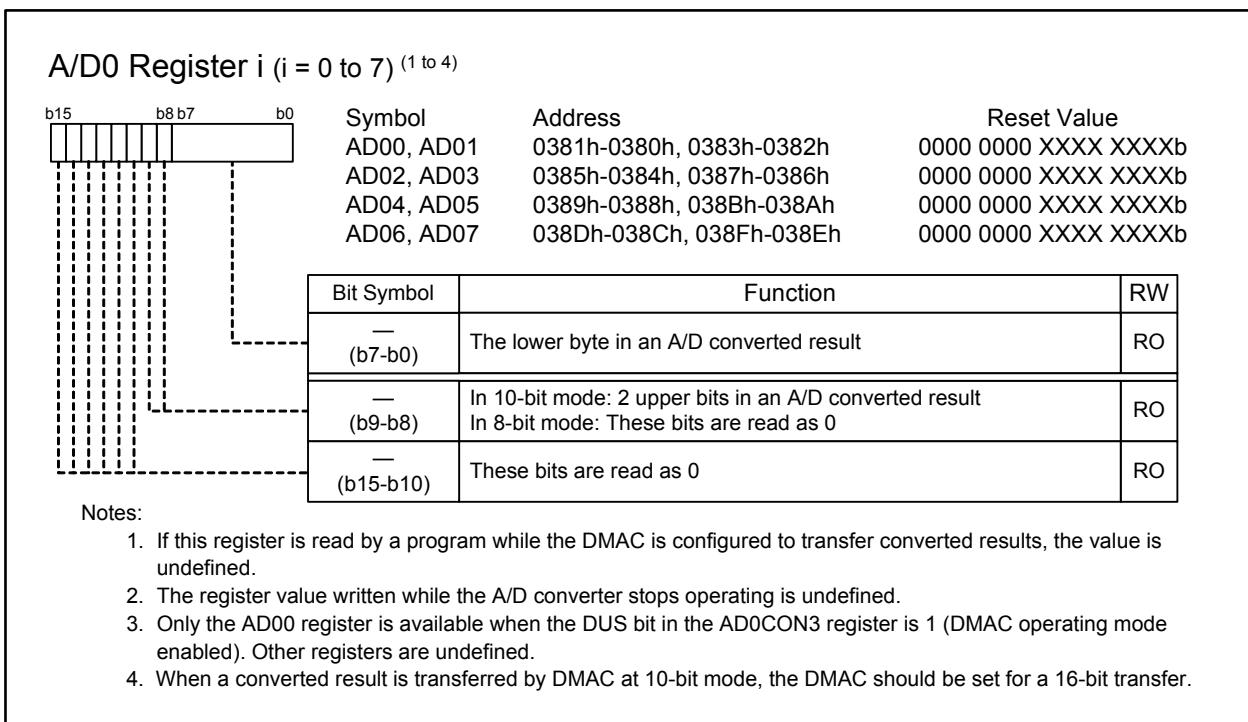


Figure 19.7 Registers AD00 to AD07

19.1 Mode Descriptions

19.1.1 One-shot Mode

In one-shot mode, the analog voltage applied to a selected pin is converted into a digital code only once. Table 19.2 lists specifications of one-shot mode.

Table 19.2 One-shot Mode Specifications

Item	Specification
Function	Converts the analog voltage applied to a pin into a digital code only once. The pin is selected by setting bits CH2 to CH0 in the AD0CON0 register, bits OPA1 and OPA0 in the AD0CON1 register, and bits APS1 and APS0 in the AD0CON2 register
Start conditions	When the TRG bit in the AD0CON0 register is 0 (software trigger) The ADST bit in the AD0CON0 register is set to 1 (A/D conversion started) by a program. When the TRG bit is 1 (external trigger or hardware trigger) Set the TRG0 bit in the AD0CON2 register to select external trigger request source. <ul style="list-style-type: none"> • When 0 is selected, an input signal at the $\overline{\text{ADTRG}}$ pin switches from high to low after the ADST bit is set to 1 by a program. • When 1 is selected, generation of a timer B2 interrupt request which has passed through the circuit to set the interrupt generating frequency in the three-phase motor control timers after the ADST bit is set to 1 by a program.
Stop conditions	<ul style="list-style-type: none"> • A/D conversion is completed (the ADST bit is set to 0 when the software trigger is selected) • The ADST bit is set to 0 (A/D conversion stopped) by a program
Interrupt request generation timing	When A/D conversion is completed, an interrupt request is generated
Input pin to be selected	One pin is selected from among AN_0 to AN_7, AN0_0 to AN0_7, AN2_0 to AN2_7, AN15_0 to AN15_7, ANEX0, and ANEX1
Reading A/D converted result	When the DUS bit in the AD0CON3 register is 0 (DMAC operating mode disabled) Read the AD0j register corresponding to the selected pin (j = 0 to 7) When the DUS bit is 1 (DMAC operating mode enabled) Configure the DMAC (refer to 13. "DMAC"). Then the A/D converted result is stored in the AD00 register after the conversion is completed. The DMAC transfers the converted result from the AD00 register to a given memory space. Do not read the AD00 register by a program

19.1.2 Repeat Mode

In repeat mode, the analog voltage applied to a selected pin is repeatedly converted into a digital code. Table 19.3 lists specifications of repeat mode.

Table 19.3 Repeat Mode Specifications

Item	Specification
Function	Converts the analog voltage input to a pin into a digital code repeatedly. The pin is selected by setting bits CH2 to CH0 in the AD0CON0 register, bits OPA1 and OPA0 in the AD0CON1 register, and bits APS1 and APS0 in the AD0CON2 register
Start conditions	When the TRG bit in the AD0CON0 register is 0 (software trigger) The ADST bit in the AD0CON0 register is set to 1 (A/D conversion started) by a program. When the TRG bit is 1 (external trigger or hardware trigger) Set the TRG0 bit in the AD0CON2 register to select external trigger request source. <ul style="list-style-type: none"> When 0 is selected, an input signal at the $\overline{\text{ADTRG}}$ pin switches from high to low after the ADST bit is set to 1 by a program. When 1 is selected, generation of a timer B2 interrupt request which has passed through the circuit to set the interrupt generating frequency in the three-phase motor control timers after the ADST bit is set to 1 by a program.
Stop conditions	The ADST bit is set to 0 (A/D conversion stopped) by a program
Interrupt request generation timing	When the DUS bit in the AD0CON3 register is 0 (DMAC operating mode disabled), no interrupt request is generated. When the DUS bit is 1 (DMAC operating mode enabled), each time A/D conversion is completed, an interrupt request is generated
Analog voltage input pins	One pin is selected from among AN_0 to AN_7, AN0_0 to AN0_7, AN2_0 to AN2_7, AN15_0 to AN15_7, ANEX0, and ANEX1
Reading A/D converted result	When the DUS bit in the AD0CON3 register is 0 (DMAC operating mode disabled) Read the AD0j register corresponding to the selected pin (j = 0 to 7) When the DUS bit is 1 (DMAC operating mode enabled) <ul style="list-style-type: none"> When the converted result is transferred by DMAC Configure the DMAC (refer to 13. "DMAC"). Then the A/D converted result is stored in the AD00 register after the conversion is completed. The DMAC transfers the converted result from the AD00 register to a given memory space. Do not read the AD00 register by a program When the converted result is transferred by a program Read the AD00 register after the IR bit in the AD0IC register becomes 1. Set the IR bit back to 0

19.1.3 Single Sweep Mode

In single sweep mode, the analog voltage applied to selected pins is converted one-by-one into a digital code. Table 19.4 lists specifications of single sweep mode.

Table 19.4 Single Sweep Mode Specifications

Item	Specification
Function	Converts the analog voltage input to a set of pins into a digital code one-by-one. The pins are selected by setting bits SCAN1 and SCAN0 in the AD0CON1 register and bits APS1 and APS0 in the AD0CON2 register
Start conditions	When the TRG bit in the AD0CON0 register is 0 (software trigger) The ADST bit in the AD0CON0 register is set to 1 (A/D conversion started) by a program. When the TRG bit is 1 (external trigger or hardware trigger) Set the TRG0 bit in the AD0CON2 register to select external trigger request source. <ul style="list-style-type: none"> • When 0 is selected, an input signal at the $\overline{\text{ADTRG}}$ pin switches from high to low after the ADST bit is set to 1 by a program. • When 1 is selected, generation of a timer B2 interrupt request which has passed through the circuit to set the interrupt generating frequency in the three-phase motor control timers after the ADST bit is set to 1 by a program.
Stop conditions	<ul style="list-style-type: none"> • A/D conversion is completed (the ADST bit is set to 0 when the software trigger is selected) • The ADST bit is set to 0 (A/D conversion stopped) by a program
Interrupt request generation timing	When the DUS bit in the AD0CON3 register is 0 (DMAC operating mode disabled) when a sweep is completed, an interrupt request is generated. When the DUS bit is 1 (DMAC operating mode enabled), each time A/D conversion is completed, an interrupt request is generated
Analog voltage input pins	Selected from a group of 2 pins (ANi_0 and ANi_1), 4 pins (ANi_0 to ANi_3), 6 pins (ANi_0 to ANi_5), or 8 pins (ANi_0 to ANi_7) (i = no value, 0, 2, 15)
Reading A/D converted result	When the DUS bit in the AD0CON3 register is 0 (DMAC operating mode disabled) Read the AD0j register corresponding to the selected pin (j = 0 to 7) When the DUS bit is 1 (DMAC operating mode enabled) Configure the DMAC (refer to 13. "DMAC"). Then the A/D converted result is stored in the AD00 register after the conversion is completed. The DMAC transfers the converted result from the AD00 register to a given memory space. Do not read the AD00 register by a program

19.1.4 Repeat Sweep Mode 0

In repeat sweep mode 0, the analog voltage applied to selected pins is repeatedly converted into a digital code. Table 19.5 lists specifications of repeat sweep mode 0.

Table 19.5 Repeat Sweep Mode 0 Specifications

Item	Specification
Function	Converts the analog voltage input to a set of pins into a digital code repeatedly. The pins are selected by setting bits SCAN1 and SCAN0 in the AD0CON1 register and APS1 and APS0 in the AD0CON2 register
Start conditions	When the TRG bit in the AD0CON0 register is 0 (software trigger) The ADST bit in the AD0CON0 register is set to 1 (A/D conversion started) by a program. When the TRG bit is 1 (external trigger or hardware trigger) Set the TRG0 bit in the AD0CON2 register to select external trigger request source. <ul style="list-style-type: none"> • When 0 is selected, an input signal at the ADTRG pin switches from high to low after the ADST bit is set to 1 by a program. • When 1 is selected, generation of a timer B2 interrupt request which has passed through the circuit to set the interrupt generating frequency in the three-phase motor control timers after the ADST bit is set to 1 by a program.
Stop conditions	The ADST bit is set to 0 (A/D conversion stopped) by a program
Interrupt request generation timing	When the DUS bit in the AD0CON3 register is 0 (DMAC operating mode disabled), no interrupt request is generated. When the DUS bit is 1 (DMAC operating mode enabled), each time A/D conversion is completed, an interrupt request is generated
Analog voltage input pins	Selected from a group of 2 pins (ANi_0 and ANi_1), 4 pins (ANi_0 to ANi_3), 6 pins (ANi_0 to ANi_5), or 8 pins (ANi_0 to ANi_7) (i = no value, 0, 2, 15)
Reading A/D converted result	When the DUS bit in the AD0CON3 register is 0 (DMAC operating mode disabled) Read the AD0j register corresponding to the selected pin (j = 0 to 7) When the DUS bit is 1 (DMAC operating mode enabled) <ul style="list-style-type: none"> • When the converted result is transferred by DMAC Configure the DMAC (refer to 13. "DMAC"). Then the A/D converted result is stored in the AD00 register after the conversion is completed. The DMAC transfers the converted result from the AD00 register to a given memory space. Do not read the AD00 register by a program • When the converted result is transferred by a program Read the AD00 register after the IR bit in the AD0IC register becomes 1. Set the IR bit back to 0

19.1.5 Repeat Sweep Mode 1

In repeat sweep mode 1, the analog voltage applied to eight selected pins including one to four prioritized pins is repeatedly converted into a digital code. Table 19.6 lists specifications of repeat sweep mode 1.

Table 19.6 Repeat Sweep Mode 1 Specifications

Item	Specification
Function	The analog voltage applied to eight selected pins including one to four prioritized pins is repeatedly converted into a digital code. The prioritized pins are selected by setting bits SCAN1 and SCAN0 in the AD0CON1 register and bits APS1 and APS0 in the AD0CON2 register For example, when AN_0 is selected, the A/D conversion is performed in the following order: AN_0→AN_1→AN_0→AN_2→AN_0→AN_3...
Start conditions	When the TRG bit in the AD0CON0 register is 0 (software trigger) The ADST bit in the AD0CON0 register is set to 1 (A/D conversion started) by a program. When the TRG bit is 1 (external trigger or hardware trigger) Set the TRG0 bit in the AD0CON2 register to select external trigger request source. • When 0 is selected, an input signal at the $\overline{\text{ADTRG}}$ pin switches from high to low after the ADST bit is set to 1 by a program. Retrigger is invalid. • When 1 is selected, generation of a timer B2 interrupt request which has passed through the circuit to set the interrupt generating frequency in the three-phase motor control timers after the ADST bit is set to 1 by a program.
Stop conditions	The ADST bit is set to 0 (A/D conversion stopped) by a program
Interrupt request generation timing	When the DUS bit in the AD0CON3 register is 0 (DMAC operating mode disabled), no interrupt request is generated. When the DUS bit is 1 (DMAC operating mode enabled), each time A/D conversion is completed, an interrupt request is generated
Analog voltage input pins	8 (ANi_0 to ANi_7) (i = no value, 0, 2, 15)
Prioritized pin(s)	Selected from a group of 1 pin (ANi_0), 2 pins (ANi_0 and ANi_1), 3 pins (ANi_0 to ANi_2), or 4 pins (ANi_0 to ANi_3)
Reading A/D converted result	When the DUS bit in the AD0CON3 register is 0 (DMAC operating mode disabled) Read the AD0j register corresponding to the selected pin (j = 0 to 7) When the DUS bit is 1 (DMAC operating mode enabled) • When the converted result is transferred by DMAC Configure the DMAC (refer to 13. "DMAC"). Then the A/D converted result is stored in the AD00 register after the conversion is completed. The DMAC transfers the converted result from the AD00 register to a given memory space. Do not read the AD00 register by a program • When the converted result is transferred by a program Read the AD00 register after the IR bit in the AD0IC register becomes 1. Set the IR bit back to 0

19.1.6 Multi-port Single Sweep Mode

In multi-port single sweep mode, the analog voltage applied to 16 selected pins is converted one-by-one into a digital code. The DUS bit in the AD0CON3 register should be set to 1 (DMAC operating mode enabled). Table 19.7 lists specifications of multi-port single sweep mode.

Table 19.7 Multi-port Single Sweep Mode Specifications

Item	Specification
Function	<p>Converts the analog voltage input to a set of 16 selected pins into a digital code one-by-one in the following order: AN_0 to AN_7→AN_i_0 to AN_i_7 (i = 0, 2, 15)</p> <p>The 16 pins are selected by setting bits MPS11 and MPS10 in the AD0CON4 register</p> <p>For example, when bits MPS11 and MPS10 are set to 10b (AN_0 to AN_7, AN0_0 to AN0_7), the analog voltage is converted into a digital code in the following order:</p> <p>AN_0→AN_1→AN_2→AN_3→AN_4→AN_5→AN_6→AN_7→AN0_0→...→AN0_6→AN0_7</p>
Start conditions	<p>When the TRG bit in the AD0CON0 register is 0 (software trigger) The ADST bit in the AD0CON0 register is set to 1 (A/D conversion started) by a program.</p> <p>When the TRG bit is 1 (external trigger or hardware trigger) Set the TRG0 bit in the AD0CON2 register to select external trigger request source.</p> <ul style="list-style-type: none"> • When 0 is selected, an input signal at the ADTRG pin switches from high to low after the ADST bit is set to 1 by a program. • When 1 is selected, generation of a timer B2 interrupt request which has passed through the circuit to set the interrupt generating frequency in the three-phase motor control timers after the ADST bit is set to 1 by a program.
Stop conditions	<ul style="list-style-type: none"> • A/D conversion is completed (the ADST bit is set to 0 when the software trigger is selected) • The ADST bit is set to 0 (A/D conversion stopped) by a program
Interrupt request generation timing	Every time A/D conversion is completed (set the DUS bit to 1)
Analog voltage input pins	A combination of pin group is selected from AN_0 to AN_7→AN15_0 to AN15_7, AN_0 to AN_7→AN0_0 to AN0_7, or AN_0 to AN_7→AN2_0 to AN2_7
Reading A/D converted result	<p>Set the DUS bit to 1 and configure the DMAC (refer to 13. "DMAC").</p> <p>Then the A/D converted result is stored in the AD00 register after the conversion is completed. The DMAC transfers the converted result from the AD00 register to a given memory space.</p> <p>Do not read the AD00 register by a program</p>

19.1.7 Multi-port Repeat Sweep Mode 0

In multi-port repeat sweep mode 0, the analog voltage applied to 16 selected pins is repeatedly converted into a digital code. The DUS bit in the AD0CON3 register should be set to 1 (DMAC operating mode enabled). Table 19.8 lists specifications of multi-port repeat sweep mode 0.

Table 19.8 Multi-port Repeat Sweep Mode 0 Specifications

Item	Specification
Function	<p>Converts the analog voltage input to a set of 16 selected pins into a digital code repeatedly in the following order: AN_0 to AN_7→ANi_0 to ANi_7 (i = 0, 2, 15)</p> <p>The 16 pins are selected by setting bits MPS11 and MPS10 in the AD0CON4 register</p> <p>For example, when bits MPS11 and MPS10 are set to 10b (AN_0 to AN_7, AN0_0 to AN0_7), the analog voltage is converted into a digital code repeatedly in the following order:</p> <p>AN_0→AN_1→AN_2→AN_3→AN_4→AN_5→AN_6→AN_7→AN0_0→...→AN0_6→AN0_7</p>
Start conditions	<p>When the TRG bit in the AD0CON0 register is 0 (software trigger)</p> <p>The ADST bit in the AD0CON0 register is set to 1 (A/D conversion started) by a program.</p> <p>When the TRG bit is 1 (external trigger or hardware trigger)</p> <p>Set the TRG0 bit in the AD0CON2 register to select external trigger request source.</p> <ul style="list-style-type: none"> • When 0 is selected, an input signal at the <u>ADTRG</u> pin switches from high to low after the ADST bit is set to 1 by a program. • When 1 is selected, generation of a timer B2 interrupt request which has passed through the circuit to set the interrupt generating frequency in the three-phase motor control timers after the ADST bit is set to 1 by a program.
Stop conditions	The ADST bit is set to 0 (A/D conversion stopped) by a program
Interrupt request generation timing	Every time A/D conversion is completed (set the DUS bit to 1)
Analog voltage input pins	A combination of pin group is selected from AN_0 to AN_7→AN15_0 to AN15_7, AN_0 to AN_7→AN0_0 to AN0_7, or AN_0 to AN_7→AN2_0 to AN2_7
Reading A/D converted result	<p>Set the DUS bit to 1 and configure the DMAC (refer to 13. "DMAC").</p> <p>Then the A/D converted result is stored in the AD00 register after the conversion is completed. The DMAC transfers the converted result from the AD00 register to a given memory space.</p> <p>Do not read the AD00 register by a program</p>

19.2 Functions

19.2.1 Resolution Selection

Resolution is selected by setting the BITS bit in the AD0CON1 register. When the BITS bit is set to 1 (10-bit precision), the A/D converted result is stored into bits 9 to 0 in the AD0i register (i = 0 to 7). When the BITS bit is set to 0 (8-bit precision), the result is stored into bits 7 to 0 in the AD0i register.

19.2.2 Sample and Hold Function

This function improves the conversion rate per pin to 28 ϕ AD cycles at 8-bit resolution and 33 ϕ AD cycles for 10-bit resolution. This function is available in all operating modes and is enabled by setting the SMP bit in the AD0CON2 register to 1 (with sample and hold function). Start A/D conversion after setting the SMP bit.

19.2.3 Trigger Selection

A trigger to start A/D conversion is specified by the combination of TRG bit in the AD0CON0 register and the TRG0 bit in the AD0CON2 register. Table 19.9 lists the settings of the trigger selection.

Table 19.9 Trigger Selection Settings

Bit and Setting		Trigger
AD0CON0 register	AD0CON2 register	
TRG = 0	—	Software trigger The ADST bit in the AD0CON0 register is set to 1
TRG = 1 (1, 2)	TRG0 = 0	External trigger Falling edge of a signal applied to the $\overline{\text{ADTRG}}$ pin
	TRG0 = 1	Hardware trigger Generation of a timer B2 interrupt request which has passed through the circuit to set the interrupt generating frequency in the three-phase motor control timers

Notes:

1. A/D conversion starts when a trigger is generated while the ADST bit is 1 (A/D conversion started).
2. When an external trigger or a hardware trigger is generated during A/D conversion, the A/D converter aborts the operation in progress. Then, it restarts the operation.

19.2.4 DMAC Operating Mode

DMAC operating mode can be used in all operating modes. DMAC operating mode is highly recommended when the A/D converter is in multi-port single sweep mode or multi-port repeat sweep mode 0. When the DUS bit in the AD0CON3 register is set to 1 (DMAC operating mode enabled), all A/D converted results are stored in the AD00 register. The DMAC transfers the data from the AD00 register to a given memory space every time A/D conversion is completed at a pin. 8-bit DMA transfer should be selected for 8-bit resolution. For 10-bit resolution, 16-bit DMA transfer should be selected. Refer to 13. "DMAC" for details.

19.2.5 Function-extended Analog Input Pins

In one-shot mode and repeat mode, pins ANEX0 and ANEX1 can be used as analog input pins by setting bits OPA1 and OPA0 in the AD0CON1 register (refer to Table 19.10). The A/D converted results of pins ANEX0 and ANEX1 are stored into registers AD00 and AD01, respectively. However, when the DUS bit in the AD0CON3 register is set to 1 (DMAC operating mode enabled), all results are stored into the AD00 register.

To use function-extended analog input pins, bits APS1 and APS0 in the AD0CON2 register should be set to 00b (AN0 to AN7, ANEX0, ANEX1 function as analog input ports) and the MSS bit in the AD0CON3 register to 0 (multi-port sweep mode disabled).

Table 19.10 Function-extended Analog Input Pin Settings

AD0CON1 Register		ANEX0	ANEX1
OPA1	OPA0		
0	0	Not used	Not used
0	1	Analog input	Not used
1	0	Not used	Analog input
1	1	Output to an external op-amp	Input from an external op-amp

19.2.6 External Operating Amplifier (Op-Amp) Connection Mode

In external op-amp connection mode, multiple analog inputs can be amplified by one external op-amp using function-extended analog input pins ANEX0 and ANEX1.

When bits OPA1 and OPA0 in the AD0CON1 register are 11b (external op-amp connected), the voltage applied to pins AN0 to AN7 is output from the ANEX0 pin. This output signal should be amplified by an external op-amp and applied to the ANEX1 pin.

The analog voltage applied to the ANEX1 pin is converted into a digital code. The converted result is stored in the corresponding AD0i register ($i = 0$ to 7). The conversion rate varies with the response of the external op-amp. Note that the ANEX0 pin should not be connected to the ANEX1 pin directly.

To use external op-amp connection mode, set bits APS1 and APS0 in the AD0CON2 register to 00b.

Figure 19.8 shows an example of an external op-amp connection.

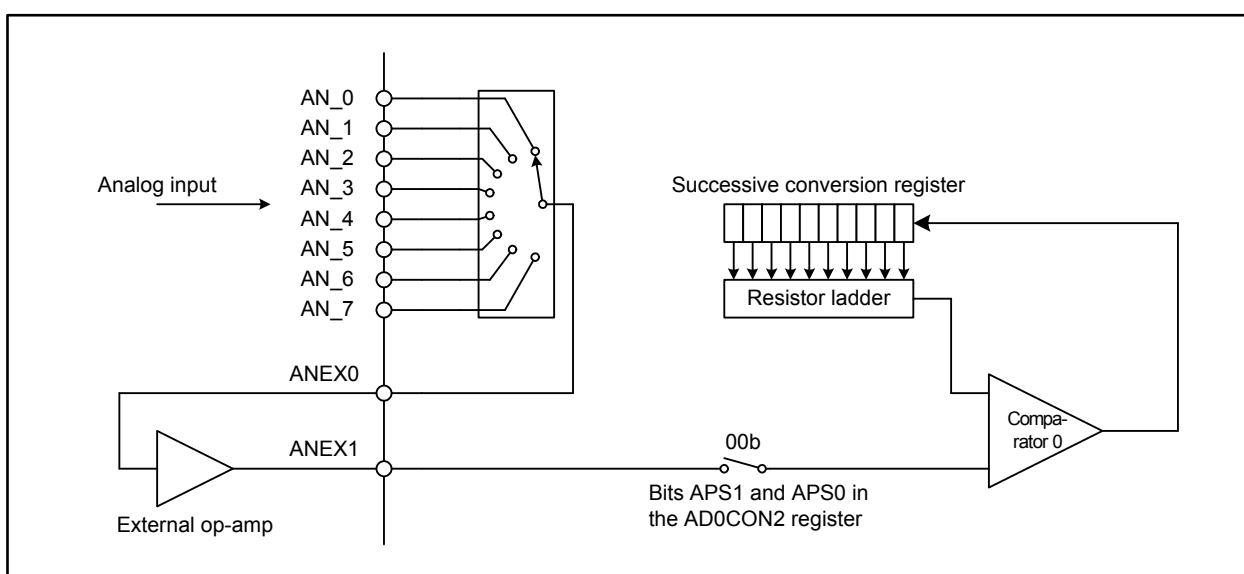


Figure 19.8 External Op-Amp Connection

19.2.7 Power Saving

When the A/D converter is not in use, power consumption can be reduced by setting the VCUT bit in the AD0CON1 to 0 (VREF disconnected). With this bit setting, the reference voltage input pin (VREF) can be disconnected from the resistor ladder, which enables the power supply from the VREF to the resistor ladder to stop.

To use the A/D converter, set the VCUT bit to 1 (VREF connected) and wait at least 1 μs before setting the ADST bit in the AD0CON0 register to 1 (A/D conversion started). Bits ADST and VCUT should not be set to 1 simultaneously. The VCUT bit should not be set to 0 during A/D conversion.

The VCUT bit does not affect VREF performance of the D/A converter (refer to Figure 19.9).

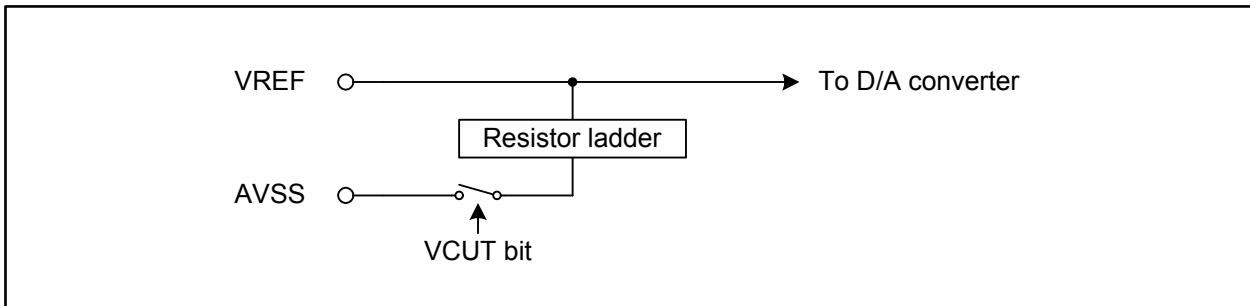


Figure 19.9 Power Supply by VCUT Bit

19.2.8 Output Impedance of Sensor Equivalent Circuit under A/D Conversion

Figure 19.10 shows an analog input pin and external sensor equivalent circuit.

To perform A/D conversion correctly, the internal capacitor (C) charging, shown in Figure 19.10, should be completed within the specified period. This period, called the sampling time, is 2 ϕ_{AD} cycles for conversion without the sample and hold function and 3 ϕ_{AD} cycles for conversion with this function.

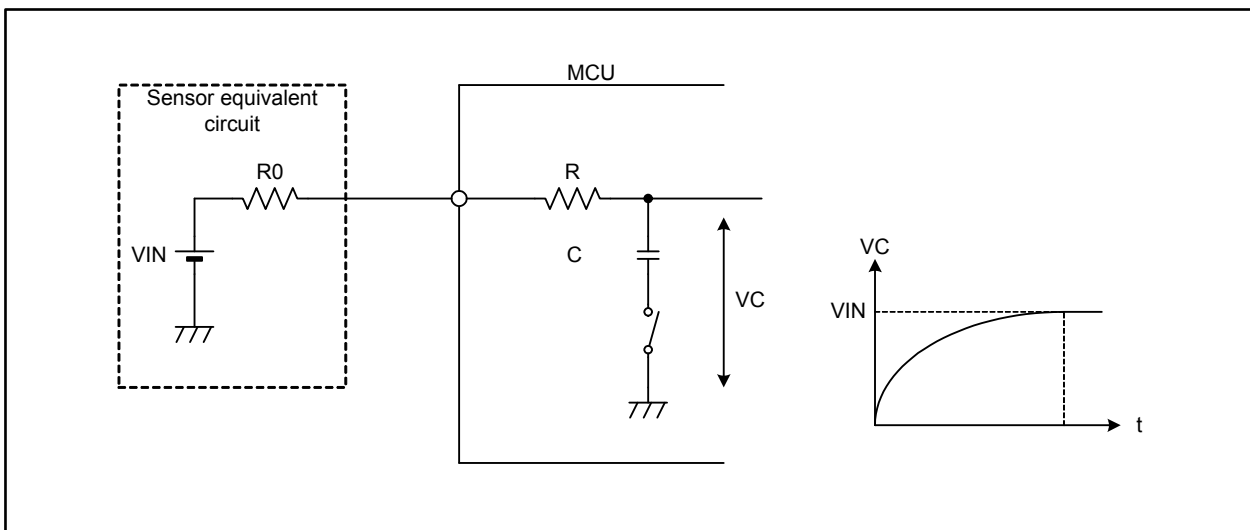


Figure 19.10 Analog Input Pin and External Sensor Equivalent Circuitry

The voltage between pins (VC) is expressed as follows:

$$VC = VIN \left\{ 1 - e^{-\frac{t}{C(R0+R)}} \right\}$$

When $t = T$ and the precision (error) is x or less,

$$VC = VIN - \frac{x}{y} VIN = VIN \left(1 - \frac{x}{y} \right)$$

Thus, output impedance of the sensor equivalent circuit (R0) is determined by the following formulas:

$$e^{-\frac{T}{C(R0+R)}} = \frac{x}{y}$$

$$-\frac{T}{C(R0+R)} = \ln \frac{x}{y}$$

$$R0 = -\frac{T}{C \ln \frac{x}{y}} - R$$

where:

T[s] = Sampling time

R0[Ω] = Output impedance of the sensor equivalent circuit

VC = Potential difference between edges of capacitor C

R[Ω] = Internal resistance of the MCU

x[LSB] = Precision (error) of the A/D converter

y[step] = Resolution of the A/D converter (1024 steps at 10-bit mode, 256 steps at 8-bit mode)

When $\phi_{AD} = 10$ MHz, the A/D conversion mode is 10-bit resolution with the sample and hold function, the output impedance (R0) with the precision (error) of 0.1 LSB or less is determined by the following formula:

Using $T = 0.3 \mu\text{s}$, $R = 2.0 \text{ k}\Omega$ (reference value), $C = 6.5 \text{ pF}$ (reference value), $x = 0.1$, $y = 1024$,

$$R0 = -\frac{0.3 \times 10^{-6}}{6.5 \times 10^{-12} \times \ln \frac{0.1}{1024}} - 2.0 \times 10^3$$

$$= 2998$$

Thus, the allowable output impedance of the sensor equivalent circuit (R0), making the precision (error) of 0.1 LSB or less, should be less than 3 kΩ.

The actual error, however, is the value of absolute precision added to the 0.1 LSB mentioned above.

19.3 Notes on A/D Converter

19.3.1 Notes on Designing Boards

- Three capacitors should be placed between the AVSS pin and pins such as AVCC, VREF, and analog inputs (AN_0 to AN_7, AN0_0 to AN0_7, AN2_0 to AN2_7, and AN15_0 to AN15_7) to avoid erroneous operations caused by noise or latchup, and to reduce conversion errors. Figure 19.11 shows an example of pin configuration for A/D converter.

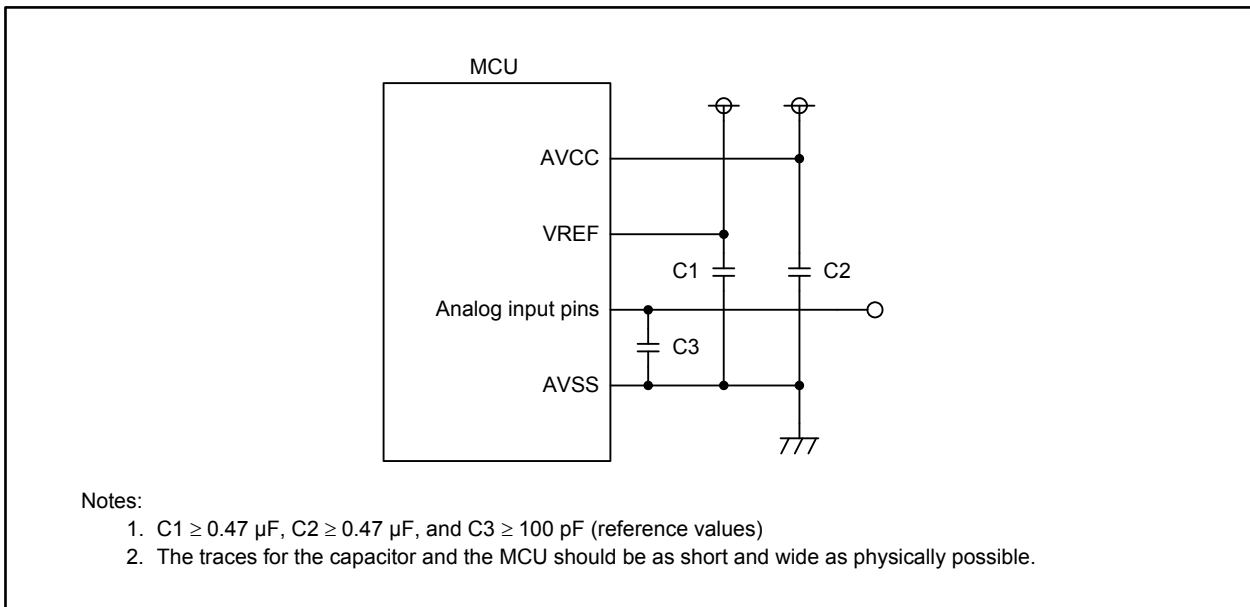


Figure 19.11 Pin Configuration for the A/D Converter

- Do not use AN_4 to AN_7 for analog input if the key input interrupt is to be used. Otherwise, a key input interrupt request occurs when the A/D input voltage becomes VIL or lower.
- When AVCC = VREF = VCC, A/D input voltage for pins AN_0 to AN_7, AN0_0 to AN0_7, AN2_0 to AN2_7, AN15_0 to AN15_7, ANEX0, and ANEX1 should be VCC or lower.

19.3.2 Notes on Programming

- The following registers should be written while A/D conversion is stopped. That is, before a trigger occurs: AD0CON0 (except the ADST bit), AD0CON1, AD0CON2, AD0CON3, and AD0CON4.
- When the VCUT bit in the AD0CON1 register is changed from 0 (VREF connected) to 1 (VREF disconnected), wait for at least 1 μ s before starting A/D conversion. When not performing A/D conversion, set the VCUT bit to 0 to reduce power consumption.
- Set the port direction bit for the pin to be used as an analog input pin to 0 (input). Set the ASEL bit of the corresponding port function select register to 1 (port is used as A/D input).
- When the TRG bit in the AD0CON0 register is 1 (external trigger or hardware trigger), set the corresponding port direction bit (PD9_7 bit) for the $\overline{\text{ADTRG}}$ pin to 0 (input).
- The ϕ_{AD} frequency should be 16 MHz or lower when VCC is 4.2 to 5.5 V, and 10 MHz or lower when VCC is 3.0 to 4.2 V. It should be 1 MHz or higher when the sample and hold function is enabled. If not, it should be 250 kHz or higher.
- When A/D operating mode (bits MD1 and MD0 in the AD0CON0 register or the MD2 bit in the AD0CON1 register) has been changed, reselect analog input pins by setting bits CH2 to CH0 in the AD0CON0 register or bits SCAN1 and SCAN0 in the AD0CON1 register.
- If the AD0i register is read when the A/D converted result is stored to the register, the stored value may have an error ($i = 0$ to 7). Read the AD0i register after A/D conversion is completed. In one-shot mode or single sweep mode, read the AD0i register after the IR bit in the AD0IC register becomes 1 (interrupt requested). In repeat mode, repeat sweep mode 0, or repeat sweep mode 1, an interrupt request can be generated each time A/D conversion is completed when the DUS bit in the AD0CON3 register is 1 (DMAC operating mode enabled). Similar to the other modes above, read the AD00 register after the IR bit in the AD0IC register becomes 1 (interrupt requested).
- When an A/D conversion is halted by setting the ADST bit in the AD0CON0 register to 0, the converted result is undefined. In addition, the unconverted AD0i register may also become undefined. Consequently, the AD0i register should not be used just after A/D conversion is halted.
- External triggers cannot be used in DMAC operating mode. When the DMAC is configured to transfer converted results, do not read the AD00 register by a program.
- While in single sweep mode, if A/D conversion is halted by setting the ADST bit in the AD0CON0 register to 0 (A/D conversion is stopped), an interrupt request may be generated even though the sweep is not completed. To halt A/D conversion, disable interrupts before setting the ADST bit to 0.

20. D/A Converter

The MCU has two separate 8-bit R-2R resistor ladder D/A converters.

Digital code is converted to an analog voltage when a value is written to the corresponding DA_i register (i = 0, 1). The DA_iE bit in the DACON register determines whether the D/A conversion result is output or not. Set the DA_iE bit to 1 (output enabled) to output the converted value. This bit setting disables a pull-up resistor for the corresponding port.

Analog voltage to be output (V) is calculated based on the value (n) set in the DA_i register (n is a decimal number).

$$V = \frac{VREF \times n}{256} \quad (n = 0 \text{ to } 255)$$

VREF: reference voltage

Table 20.1 lists specifications of the D/A converter. Figure 20.1 shows a block diagram of the D/A converter. Figures 20.2 and 20.3 show registers associated with the D/A converter. Figure 20.4 shows a D/A converter equivalent circuit.

When the D/A converter is not used, set the DA_i register to 00h and the DA_iE bit to 0 (output disabled).

Table 20.1 D/A Converter Specifications

Item	Specification
D/A conversion method	R-2R resistor ladder
Resolution	8 bits
Analog output pins	2 channels

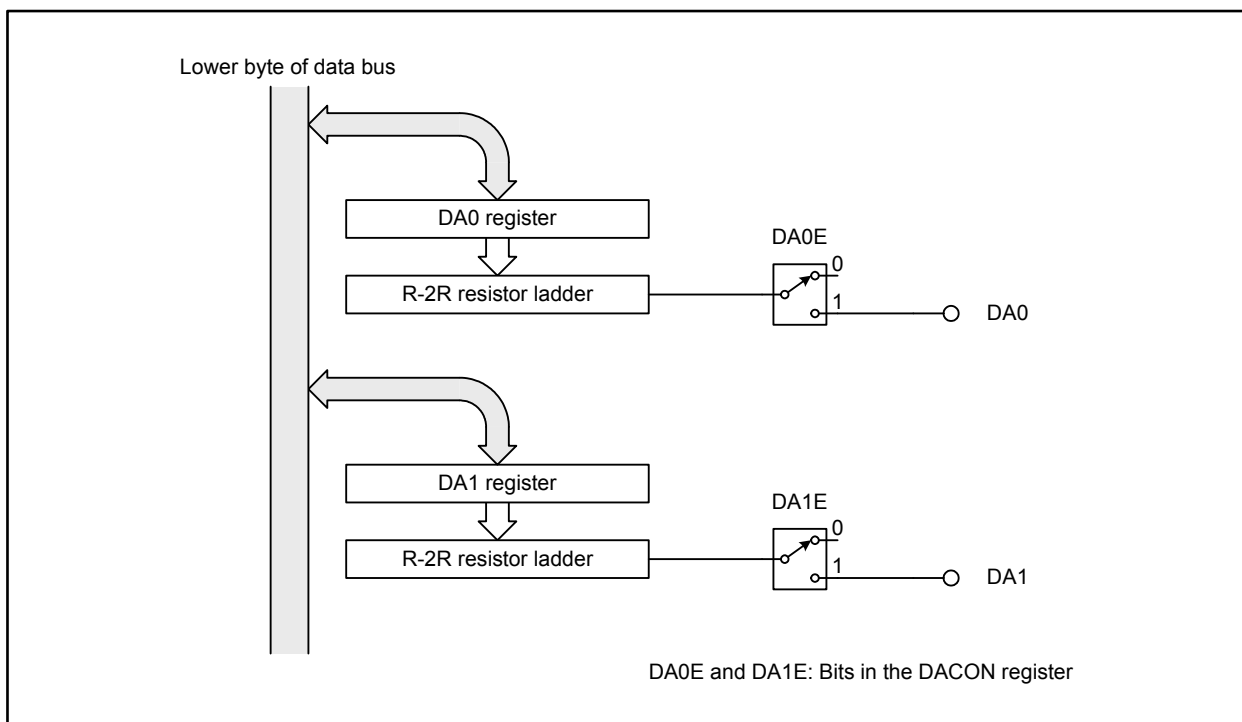


Figure 20.1 D/A Converter Block Diagram

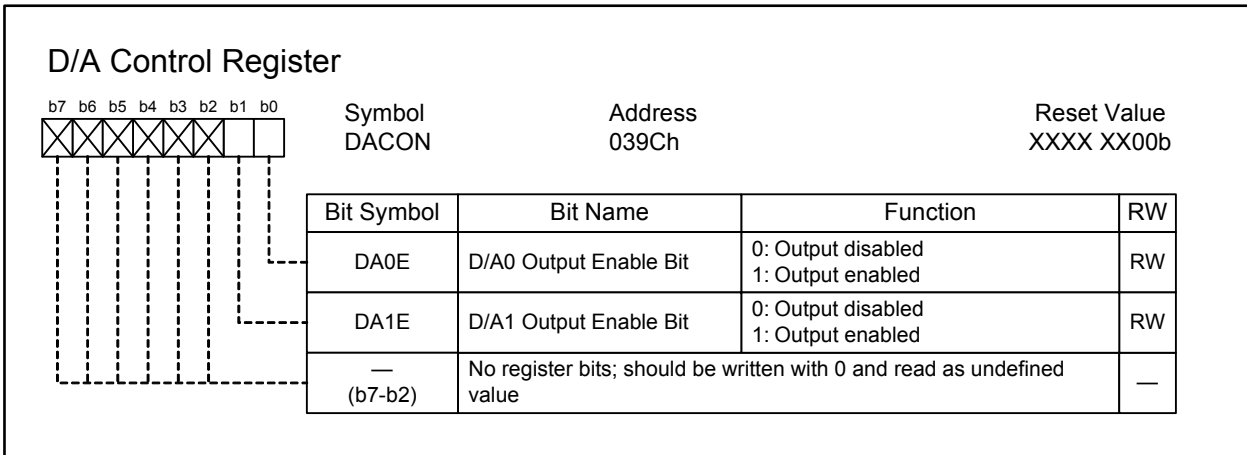


Figure 20.2 DACON Register

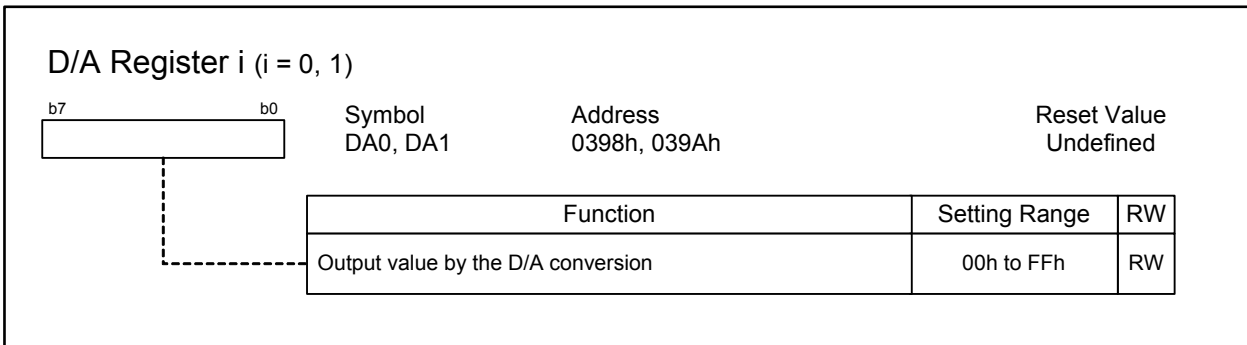


Figure 20.3 Registers DA0 and DA1

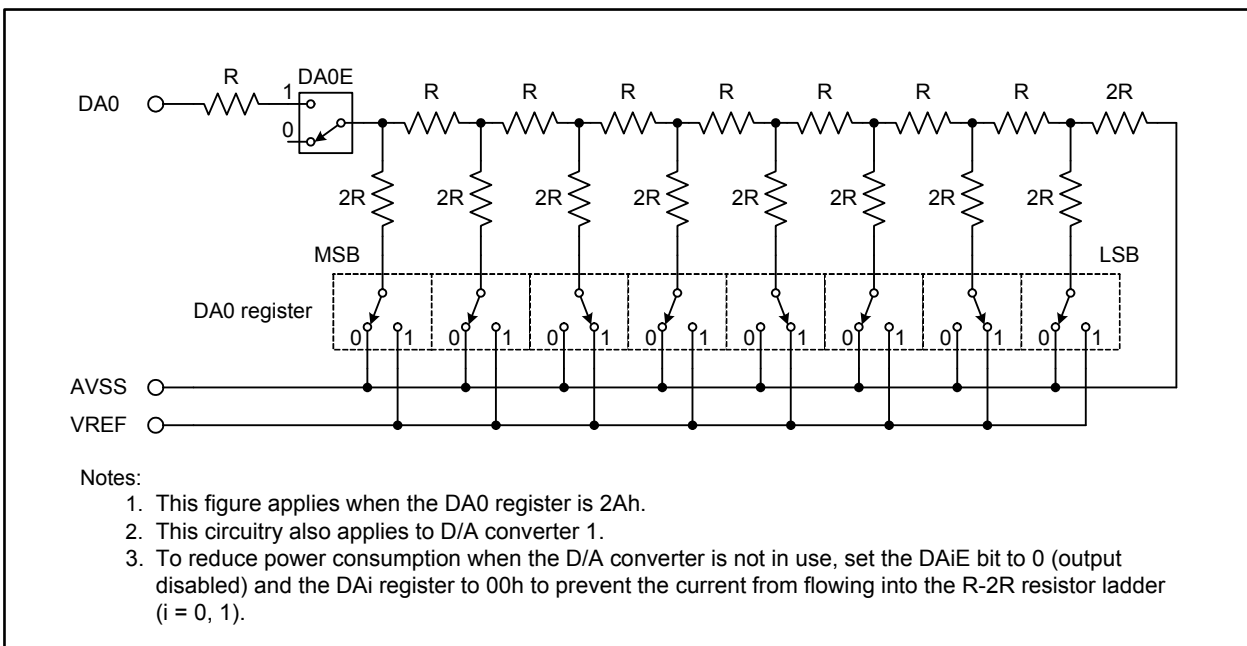


Figure 20.4 D/A Converter Equivalent Circuitry

21. CRC Calculator

The Cyclic Redundancy Check (CRC) calculator is used for detecting errors in data blocks. A generator polynomial of CRC-CCITT ($X^{16} + X^{12} + X^5 + 1$) generates the CRC.

The CRC is a 16-bit code generated for a given set of blocks of 8-bit data. It is set in the CRCD register every time 1-byte data is written to the CRCIN register after a default value is set to the CRCD register.

Figure 21.1 shows a block diagram of the CRC calculator. Figures 21.2 and 21.3 show registers associated with the CRC. Figure 21.4 shows an example of the CRC calculation.

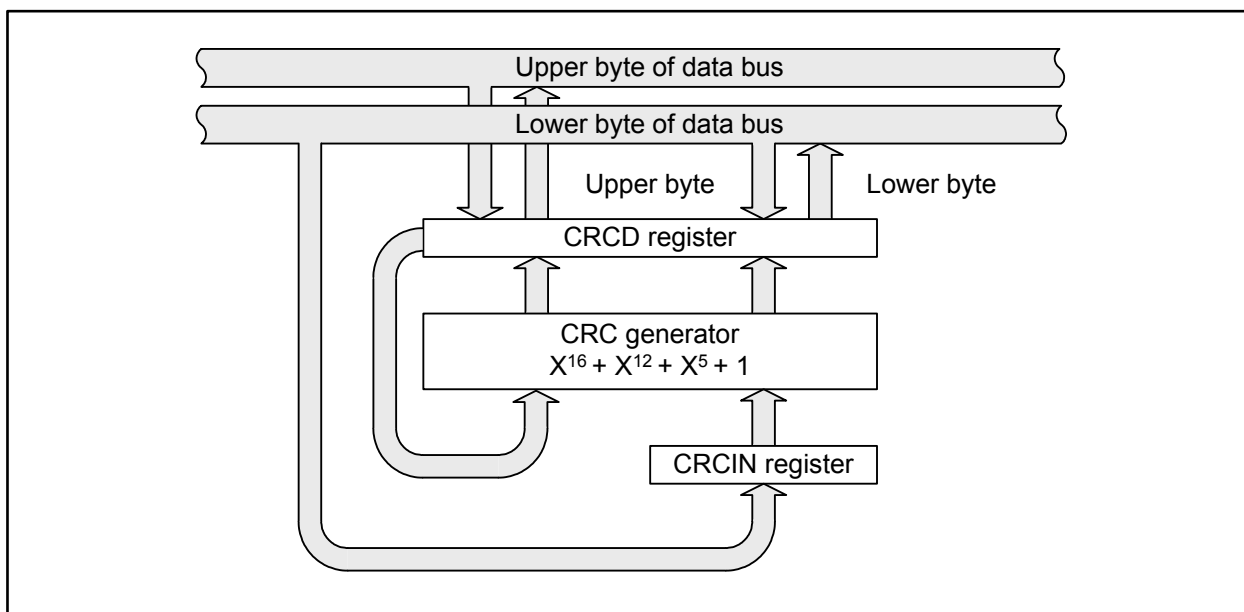


Figure 21.1 CRC Calculator Block Diagram

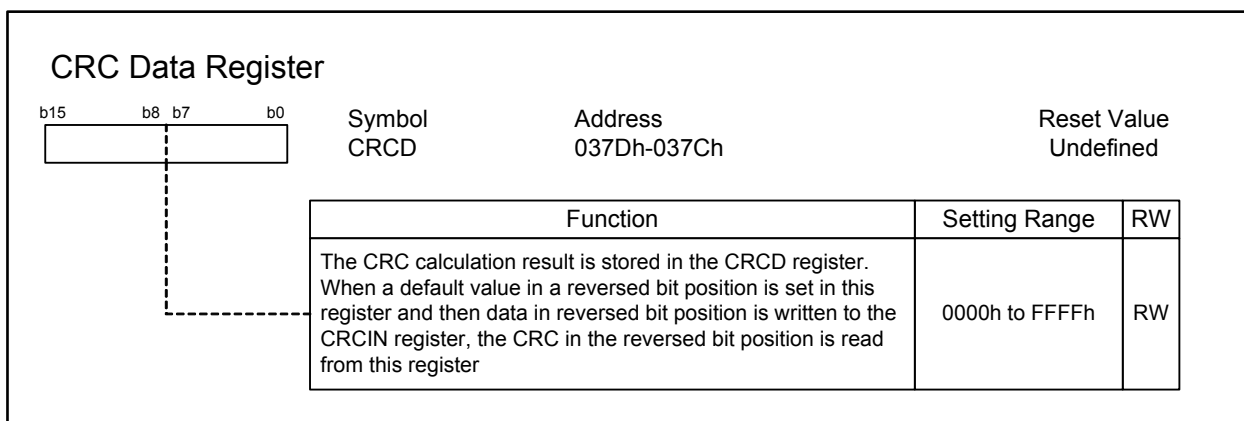


Figure 21.2 CRCD Register

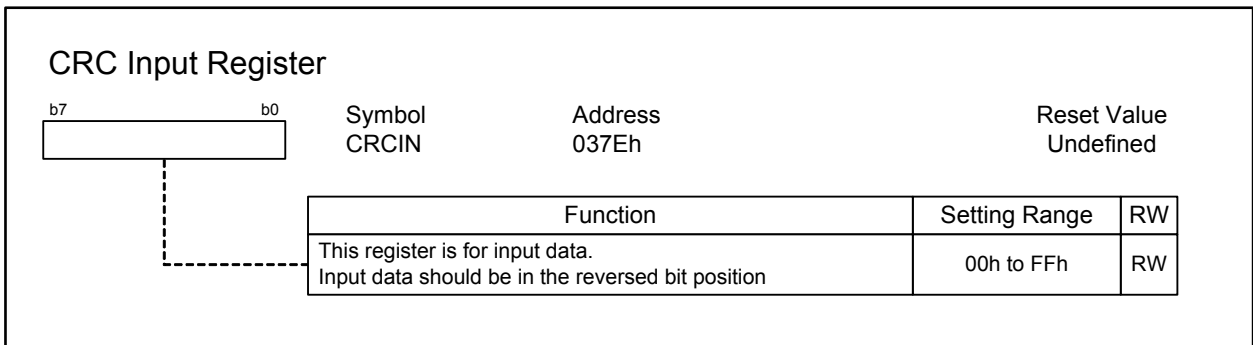


Figure 21.3 CRCIN Register

CRC Calculation and Setting Procedure to Generate CRC for 80C4h

- CRC Calculation for R32C

CRC: a remainder of the division as follows:
$$\frac{\text{reversed-bit-position value in the CRCIN register}}{\text{generator polynomial}}$$

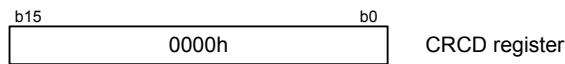
Generator Polynomial: $X^{16} + X^{12} + X^5 + 1$ (1 0001 0000 0010 0001b)

- Setting Procedure

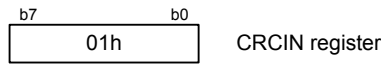
(1) Reverse the bit position of 80C4h in 1-byte units by a program

80h to 01h, C4h to 23h

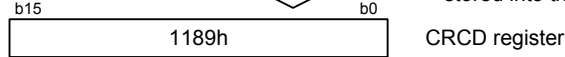
(2) Set 0000h (default value in reversed bit position) in CRCD register



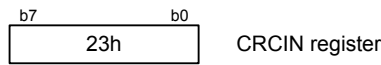
(3) Set 01h (80h in reversed bit position) in CRCIN register



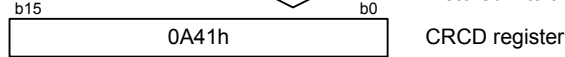
1189h, CRC for 80h (9188h) in reversed bit position is stored into the CRCD register in the third cycle.



(4) Set 23h (C4h in reversed bit position) in CRCIN register

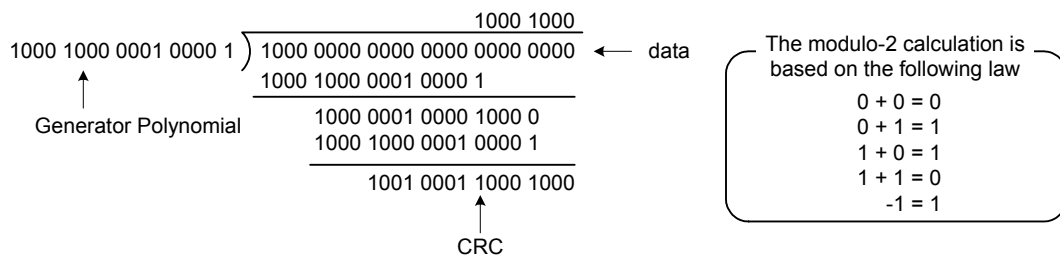


0A41h, CRC for 80C4h (8250h) in reversed bit position is stored into the CRCD register in the third cycle.



- Details of the CRC Calculation

As shown in (3) above, add 1000 0000 0000 0000 0000 0000b as 80h (1000 0000b) plus 16 digits to 0000 0000 0000 0000 0000 0000b as the default value of the CRCD register, 0000h plus eight digits to perform the modulo-2 division.



0001 0001 1000 1001b (1189h), the reversed-bit-position value of remainder 1001 0001 1000 1000b (9188h) can be read from the CRCD register.

When continuing on to (4) above, add 1100 0100 0000 0000 0000 0000b as C4h (1100 0100b) plus 16 digits to 1001 0001 1000 1000 0000 0000b as the remainder of (3) left in the CRCD register plus eight digits to perform the modulo-2 division.

0000 1010 0100 0001b (0A41h), the reversed-bit-position value of remainder 1000 0010 0101 0000b (8250h) can be read from the CRCD register.

Figure 21.4 CRC Calculation

22. X-Y Conversion

X-Y conversion rotates a 16 × 16-bit matrix data 90 degrees or reverses the bit position of 16-bit data.

X-Y conversion is set using the XYC register shown in Figure 22.1.

Data is written to the write-only XiR registers and converted data is read from the read-only YjR register (i = 0 to 15; j = 0 to 15). These registers are allocated to the same address. Figures 22.2 and 22.3 show registers XiR and YjR, respectively. A write/read access to registers XiR and YjR should be performed in 16-bit units from an even address. 8-bit access operation results are undefined.

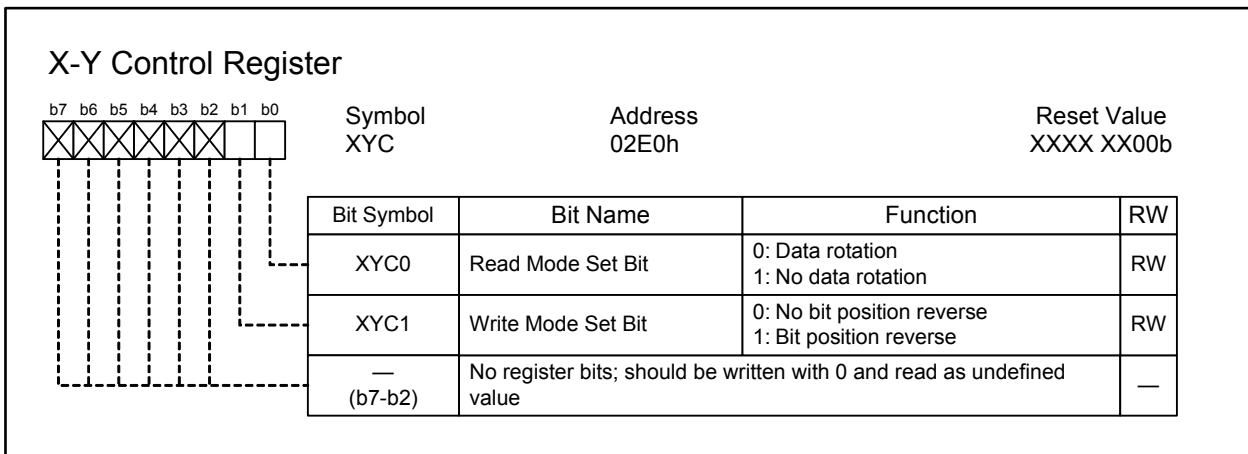


Figure 22.1 XYC Register

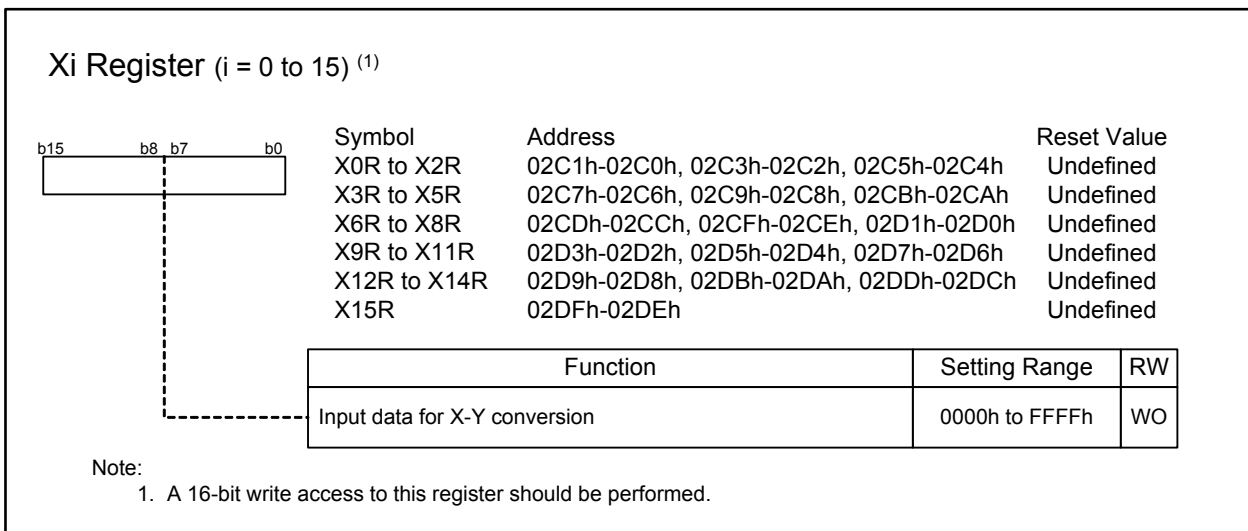


Figure 22.2 Registers X0R to X15R

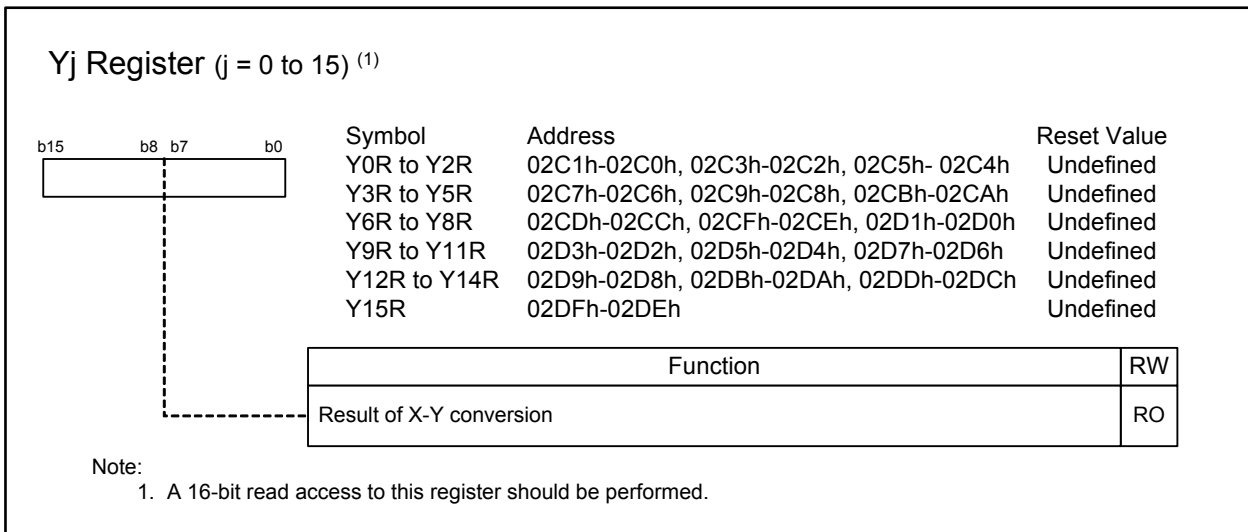


Figure 22.3 Registers Y0R to Y15R

22.1 Data Conversion When Reading

Set the XYC0 bit in the XYC register to select a read mode for the Y_jR register. When the XYC0 bit is 0 (data rotation), bit j in the corresponding registers X0R to X15R is automatically read upon reading the Y_jR register (j = 0 to 15).

More concretely, upon reading bit i (i = 0 to 15) in the Y0R register, the data of bit 0 in the X_iR register is read. That is, the read data of bit 0 in the Y15R register means the data of bit 15 in the X0R register and the data of bit 15 in the Y0R register is identical to that of bit 0 in the X15R register.

Figure 22.4 shows the conversion table when the XYC0 bit is 0 and Figure 22.5 shows an example of X-Y conversion.

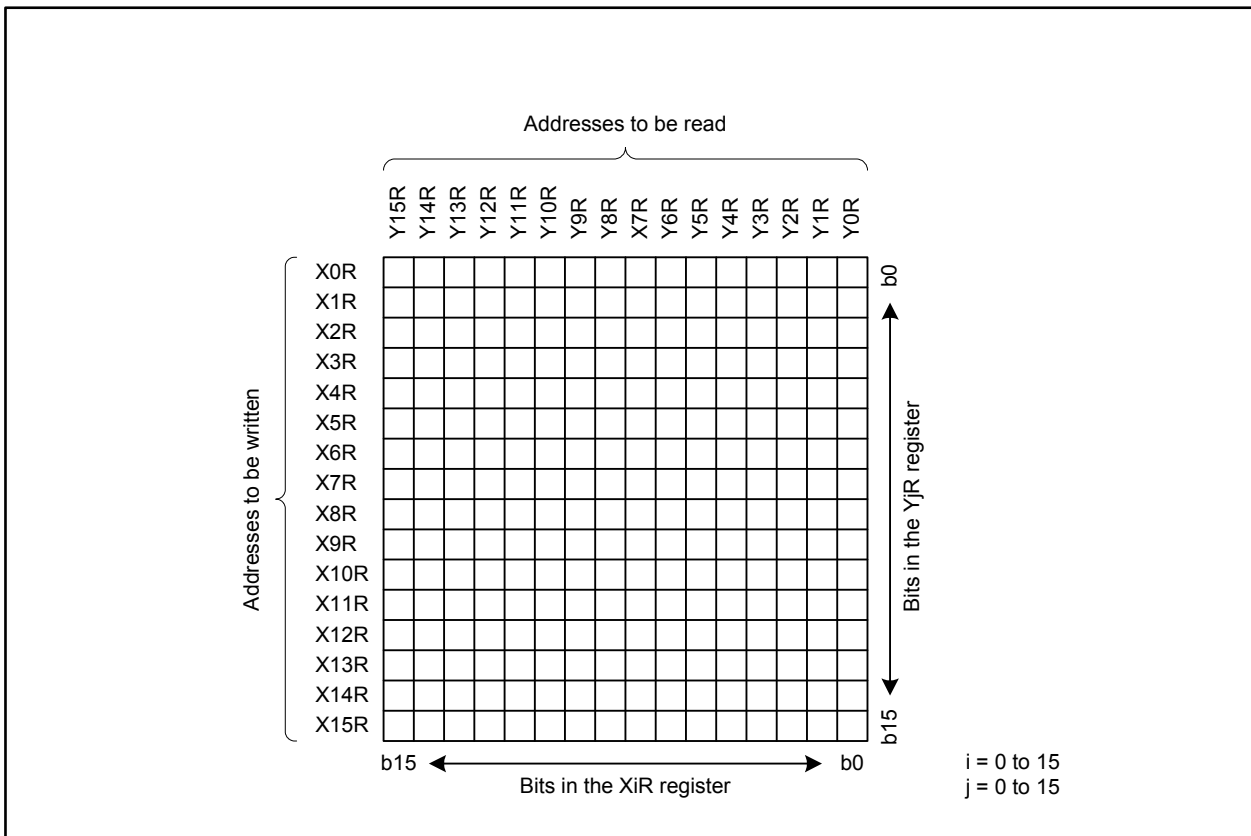


Figure 22.4 Conversion Table (XYC0 Bit is 0)

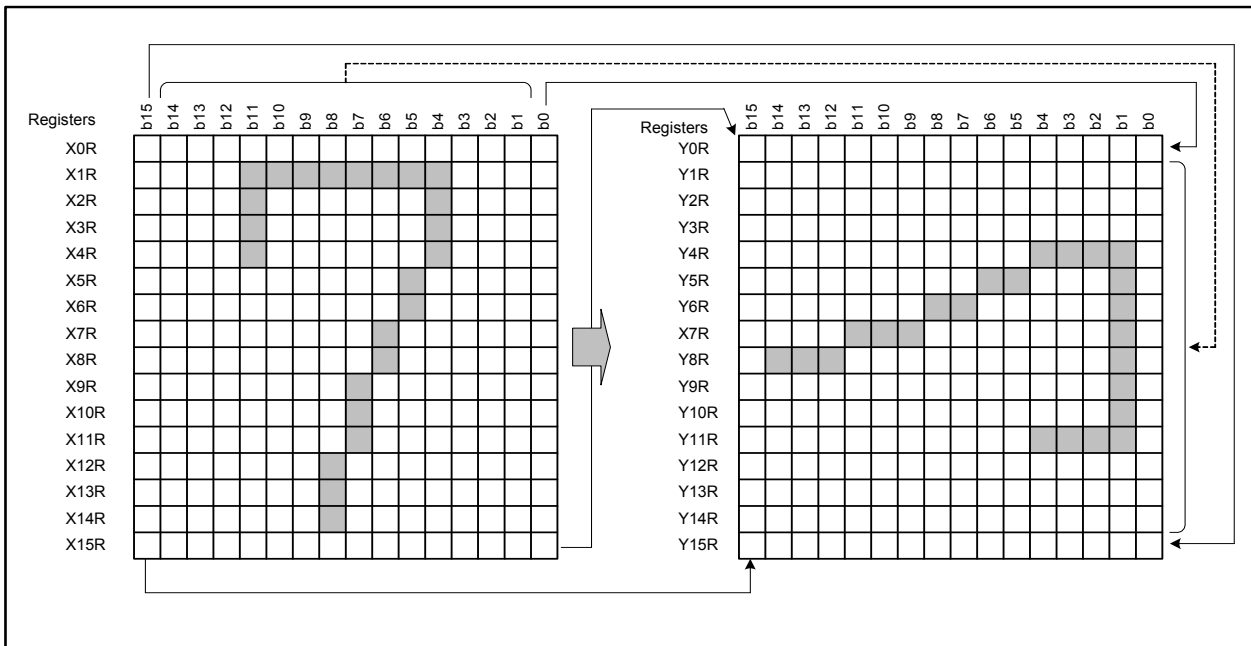


Figure 22.5 X-Y Conversion

When the XYC0 bit is set to 1 (no data rotation), the data of each bit in the YjR register is identical to that written in the XiR register. Figure 22.6 shows the conversion table when the XYC0 bit is set to 1.

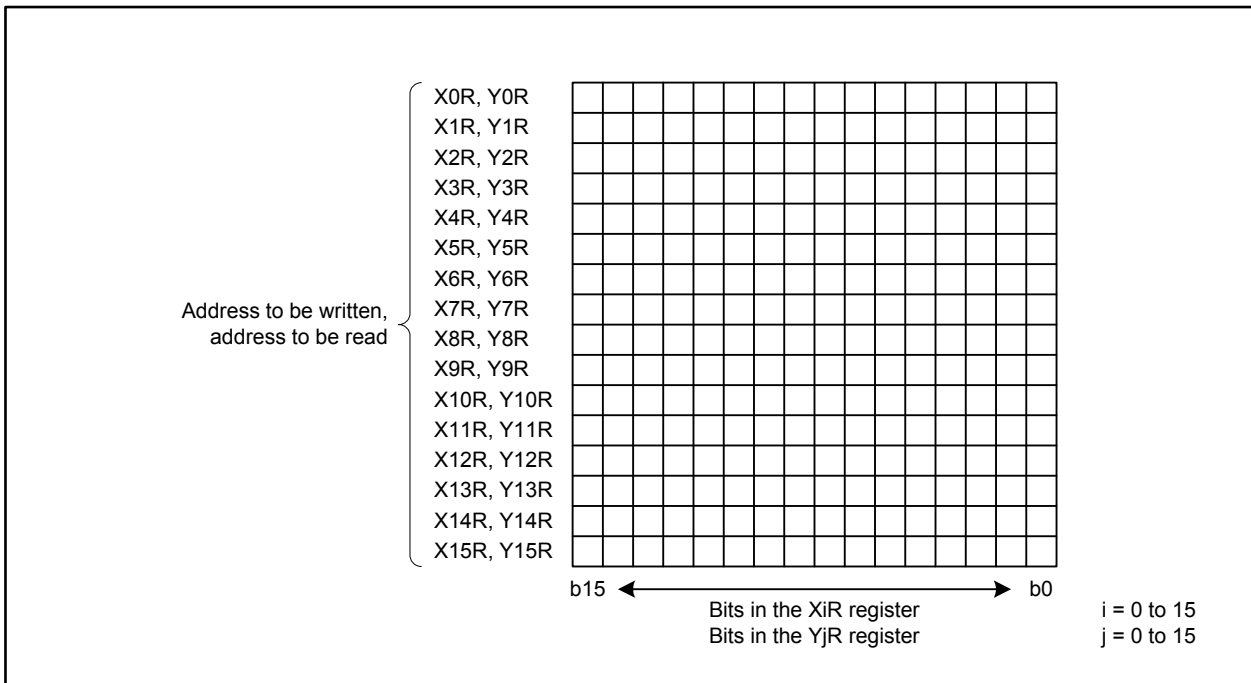


Figure 22.6 Conversion Table (XYC0 Bit is 1)

22.2 Data Conversion When Writing

Set the XYC1 bit in the XYC register to select a write mode for the XiR register.

When the XYC1 bit is set to 0 (no bit position reverse), the data is written in order. When it is set to 1 (bit position reverse), the data is written in reversed order. Figure 22.7 shows the conversion table when the XYC1 bit is set to 1.

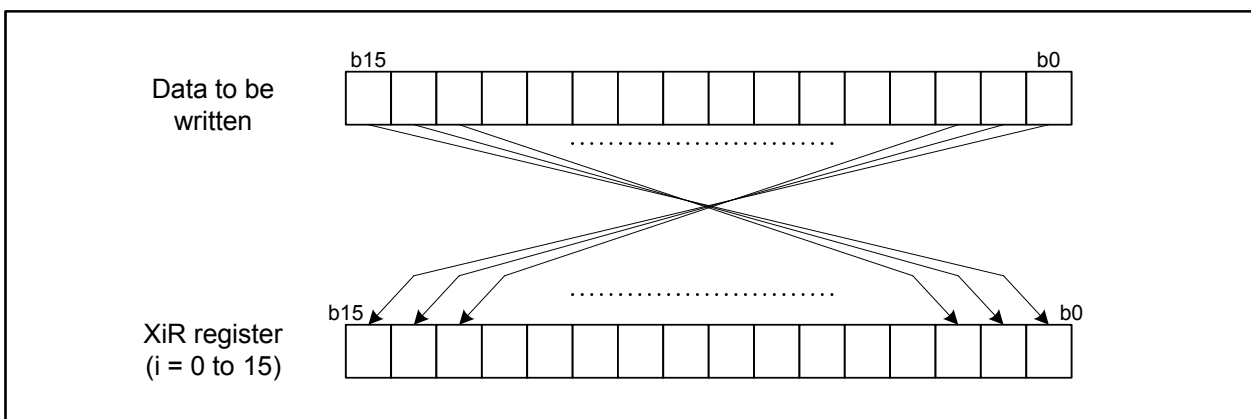


Figure 22.7 Conversion Table (XYC1 Bit is 1)

23. Intelligent I/O

The intelligent I/O is a multifunctional I/O port for time measurement, waveform generation, variable character length synchronous serial interface, and IEBus.

It consists of three groups each of which has one free-running 16-bit base timer and eight 16-bit registers for time measurement or waveform generation.

Table 23.1 lists the functions and channels of the intelligent I/O.

Table 23.1 Intelligent I/O Functions and Channels

Functions		Group 0	Group 1	Group 2
Time measurement (1)	Digital filter	8 channels	8 channels	Not available
	Prescaler	2 channels	2 channels	
	Gating	2 channels	2 channels	
Waveform generation (1)	Single-phase waveform output mode	8 channels	8 channels	8 channels
	Inverted waveform output mode	8 channels	8 channels	8 channels
	SR waveform output mode	8 channels	8 channels	8 channels
	Bit modulation PWM mode	Not available	Not available	8 channels
	RTP mode			8 channels
	Parallel RTP mode			8 channels
Serial interface	Variable character length synchronous serial interface mode	Not available	Not available	Available
	IEBus mode (optional (2))			

Notes:

1. The time measurement and waveform generation functions share a pin.
2. Contact a Renesas Electronics sales office to use the optional features.

Each channel can be individually assigned for time measurement or waveform generation function.

Figures 23.1 to 23.3 show block diagrams of the intelligent I/O.

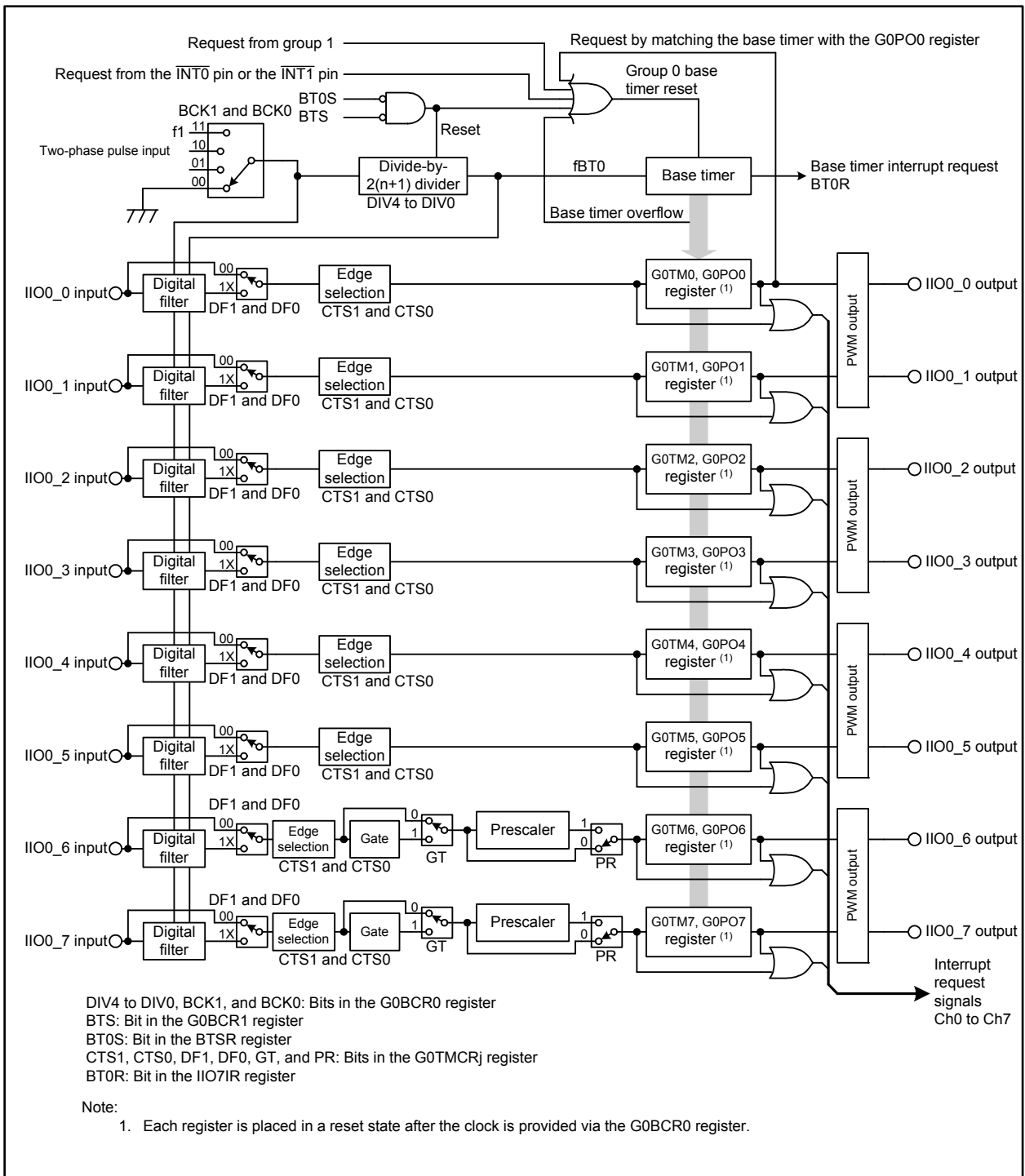


Figure 23.1 Intelligent I/O Group 0 Block Diagram (j = 0 to 7)

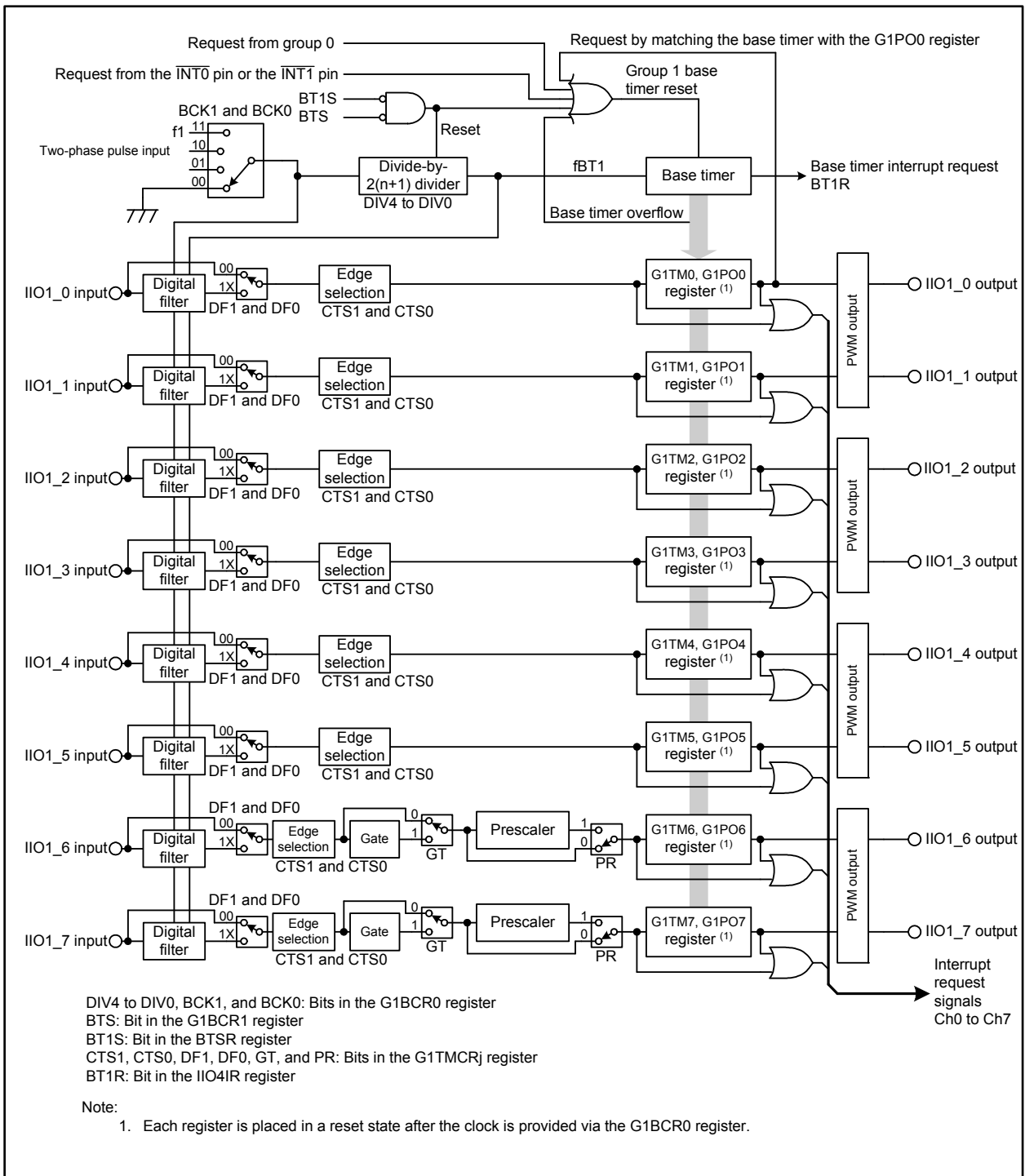


Figure 23.2 Intelligent I/O Group 1 Block Diagram (j = 0 to 7)

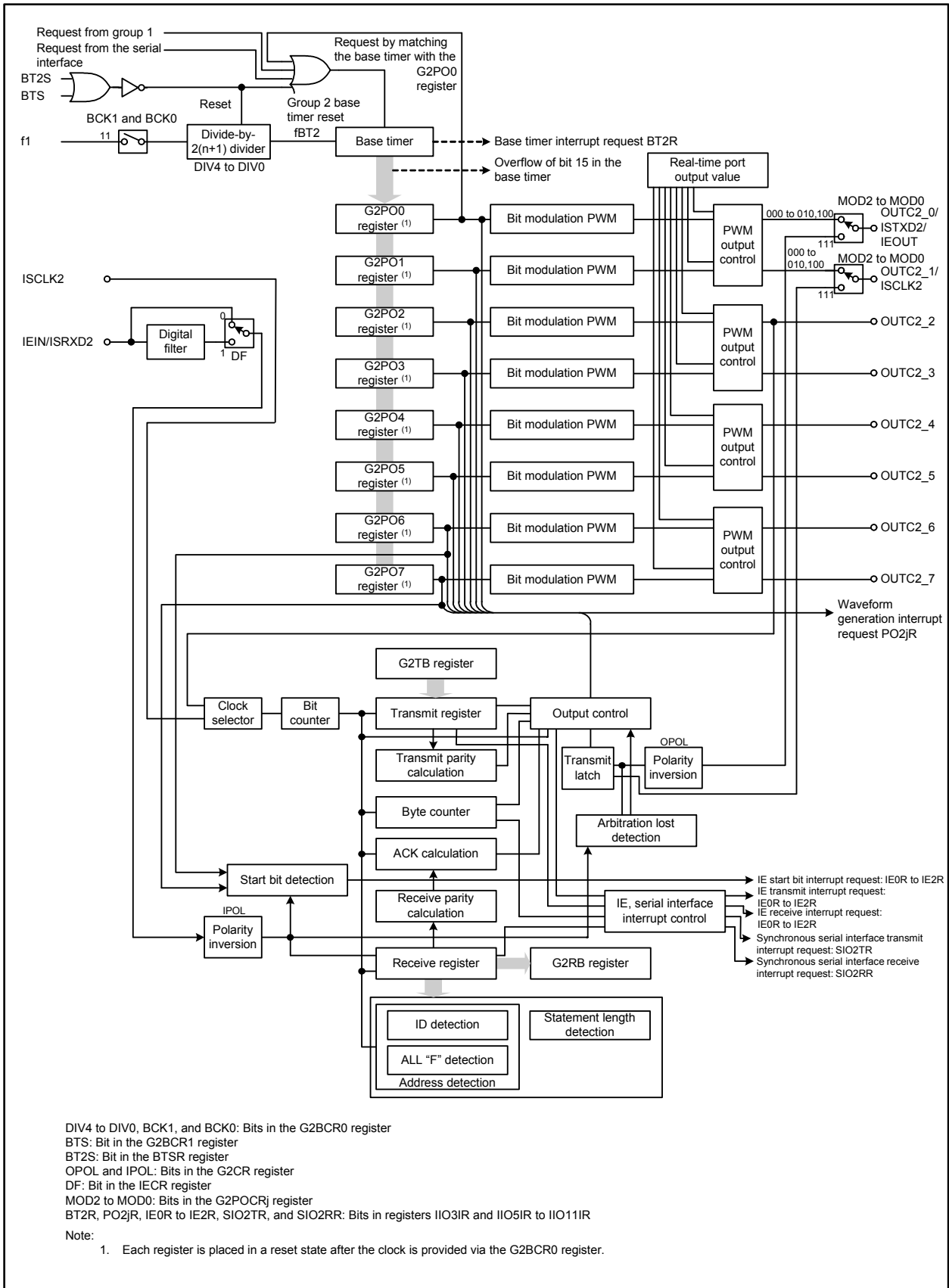


Figure 23.3 Intelligent I/O Group 2 Block Diagram (j = 0 to 7)

Figures 23.4 to 23.17 show registers associated with the intelligent I/O base timer, time measurement, and waveform generation (for registers associated with the serial interface, refer to Figures 23.33 to 23.40).

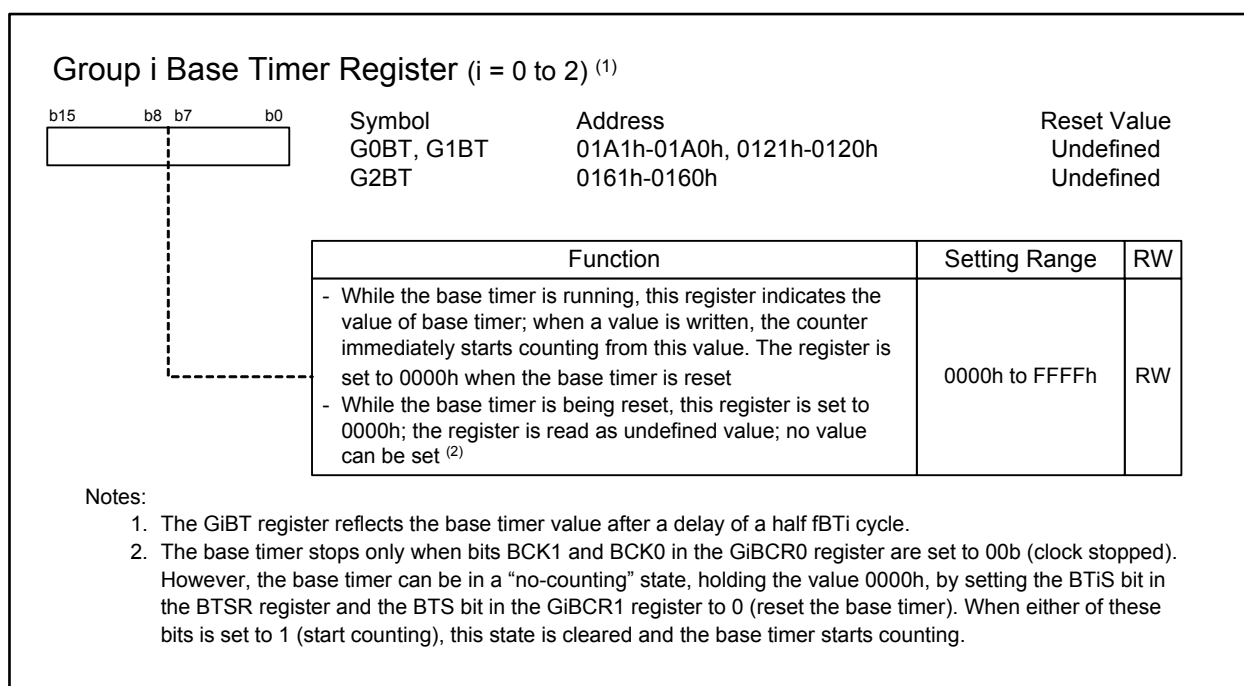


Figure 23.4 Registers G0BT to G2BT

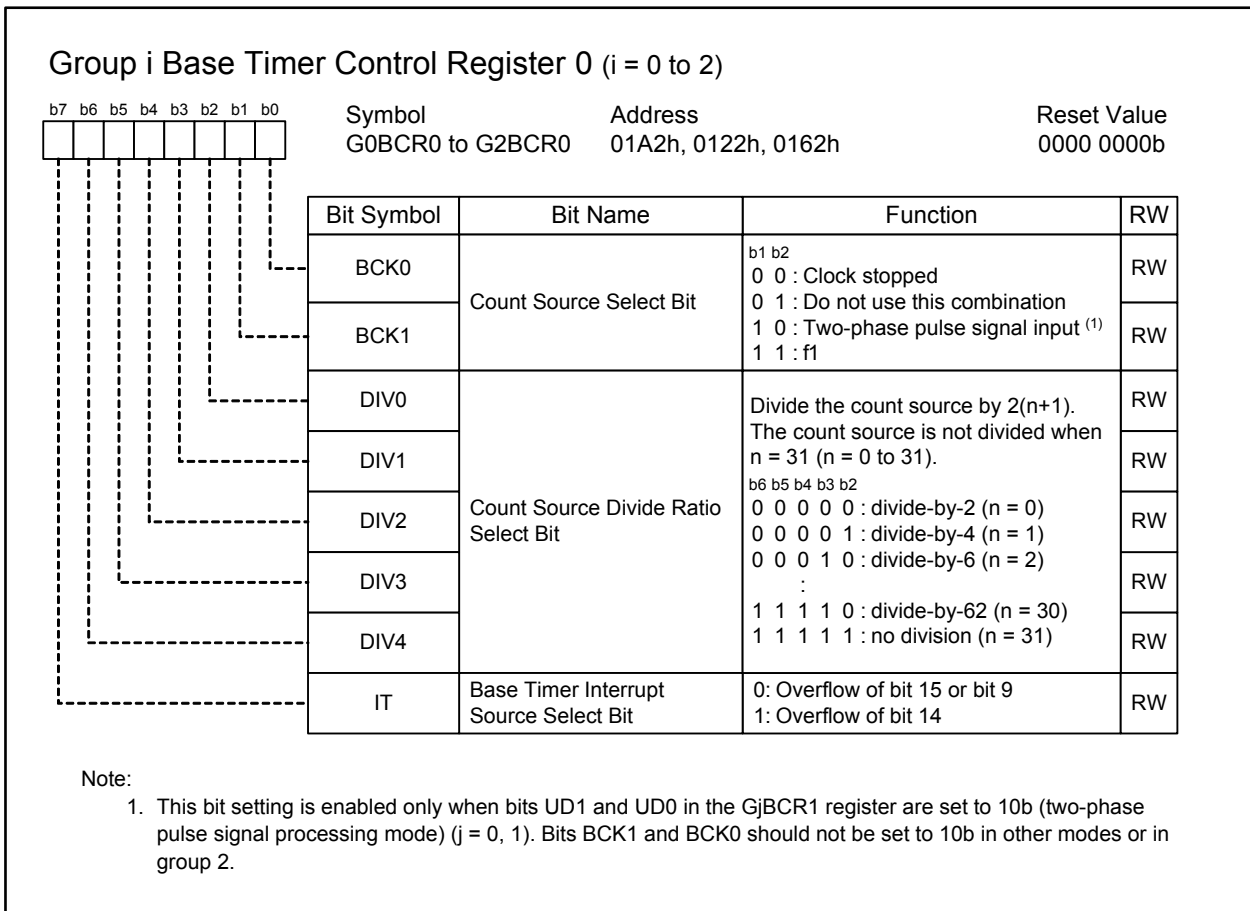


Figure 23.5 Registers G0BCR0 to G2BCR0

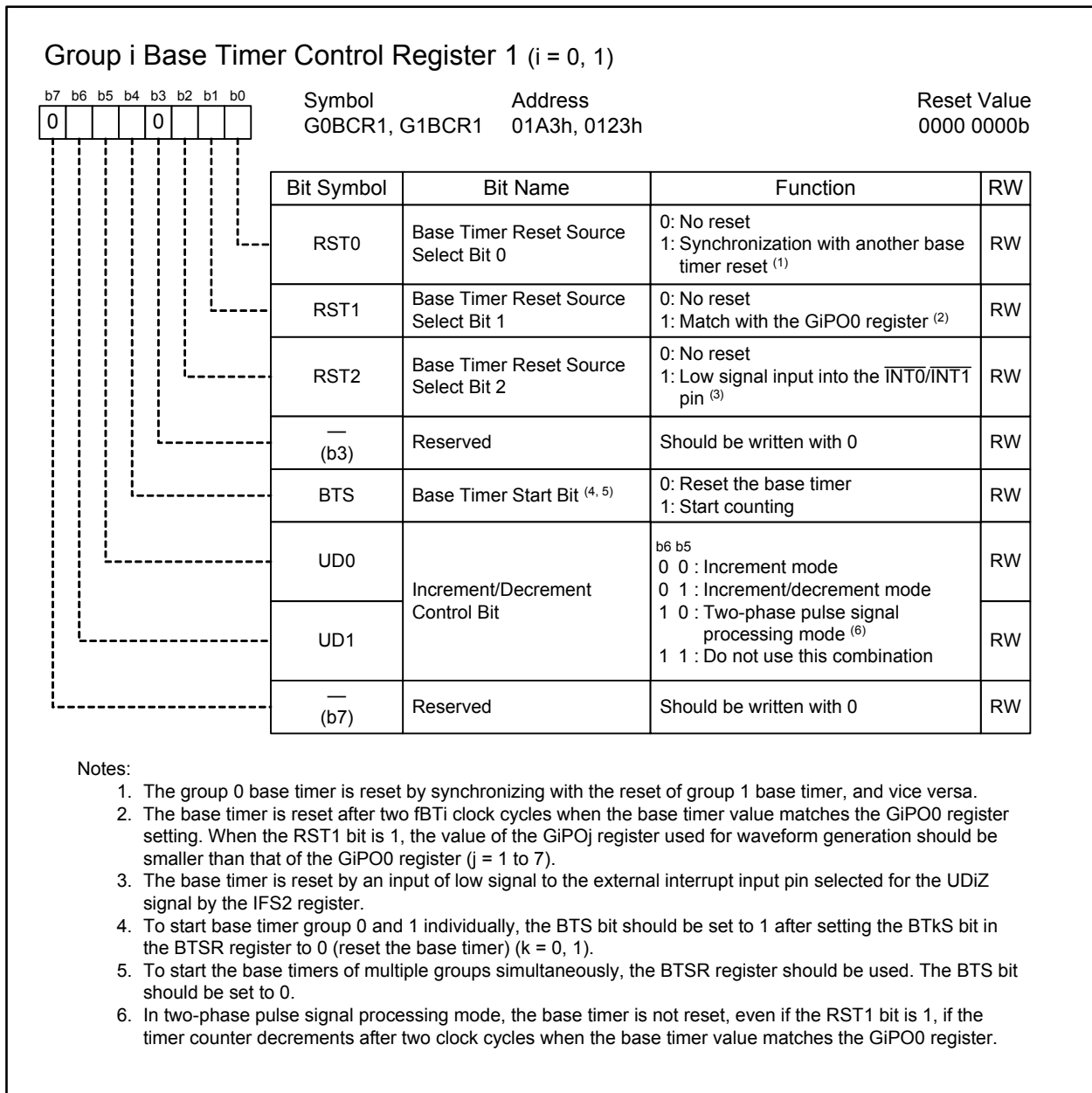


Figure 23.6 Registers G0BCR1 and G1BCR1

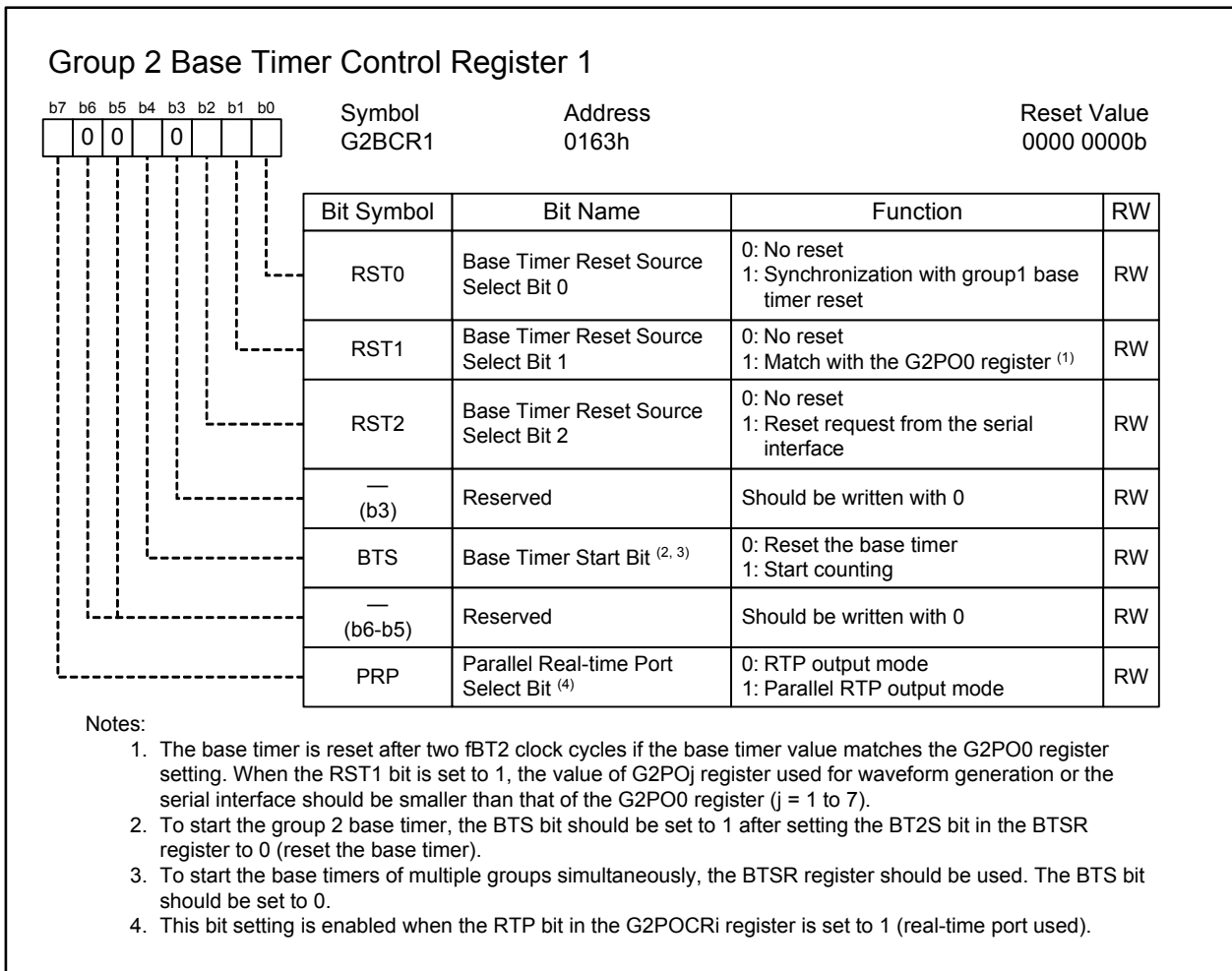


Figure 23.7 G2BCR1 Register

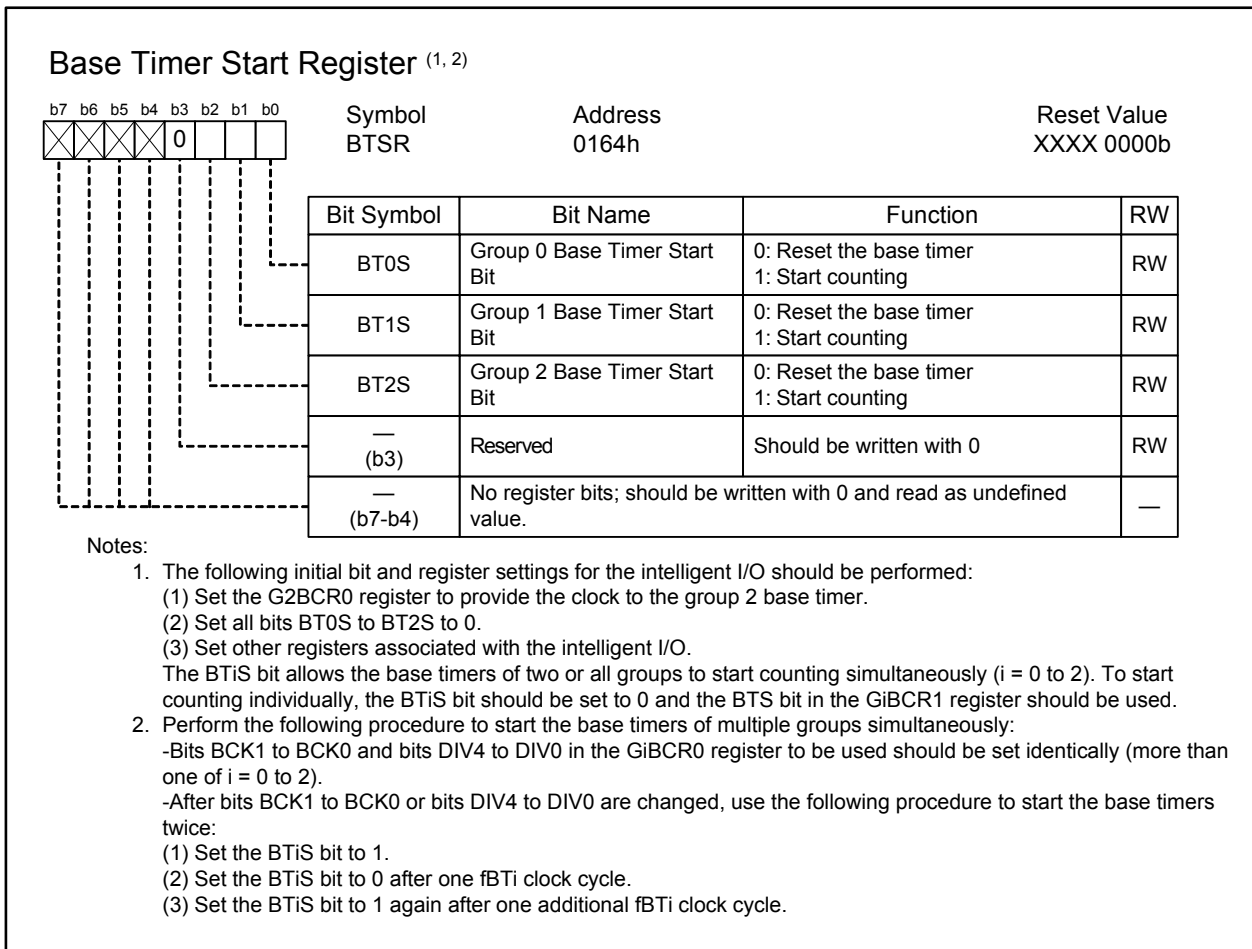


Figure 23.8 BTSR Register

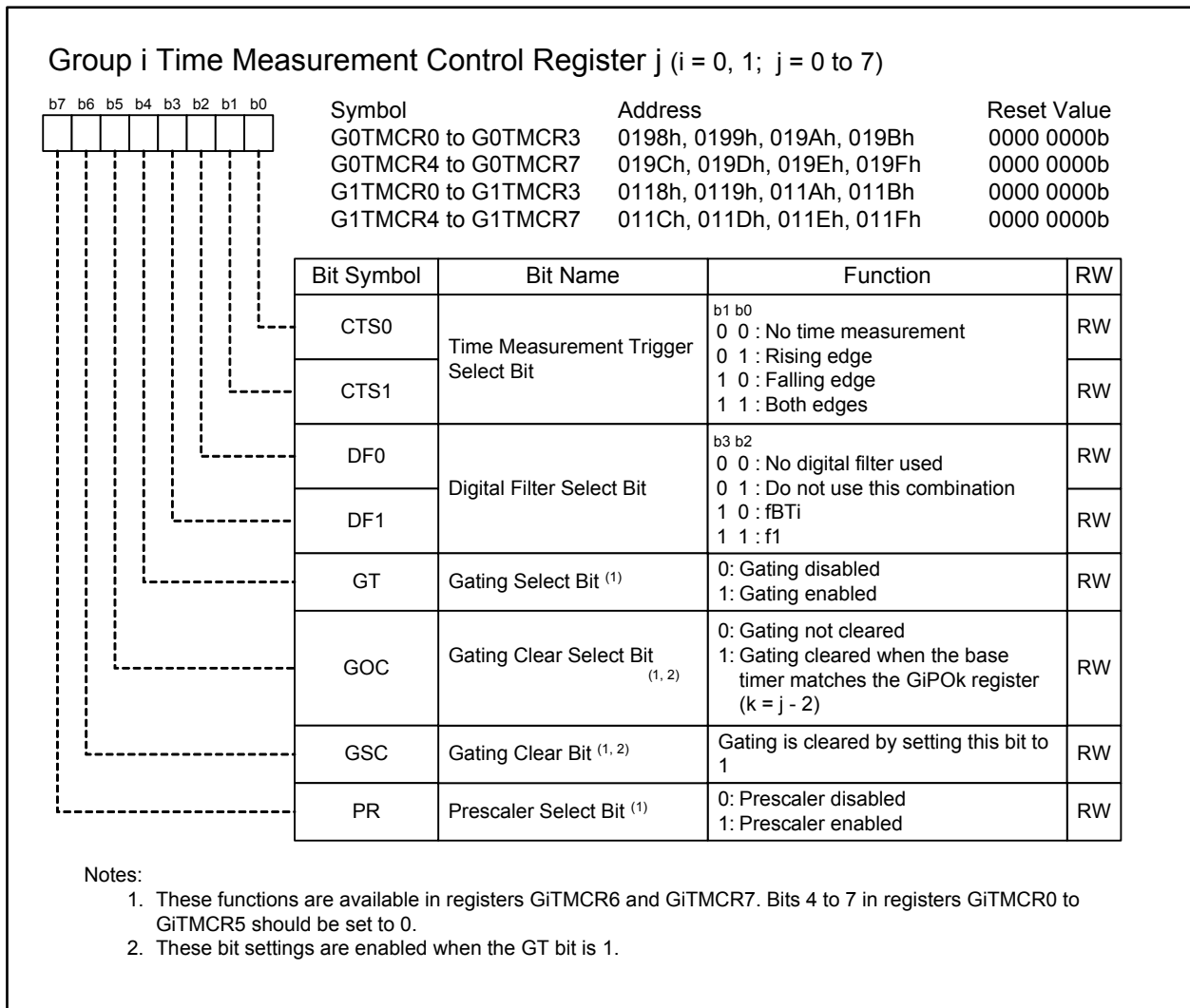


Figure 23.9 Registers G0TMCR0 to G0TMCR7 and G1TMCR0 to G1TMCR7

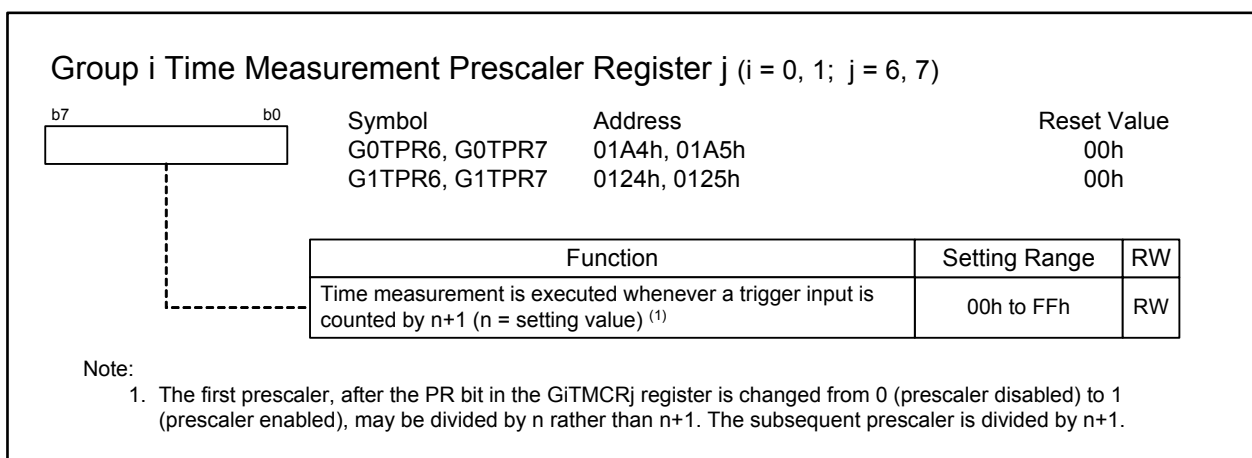


Figure 23.10 Registers G0TPR6, G0TPR7, G1TPR6, and G1TPR7

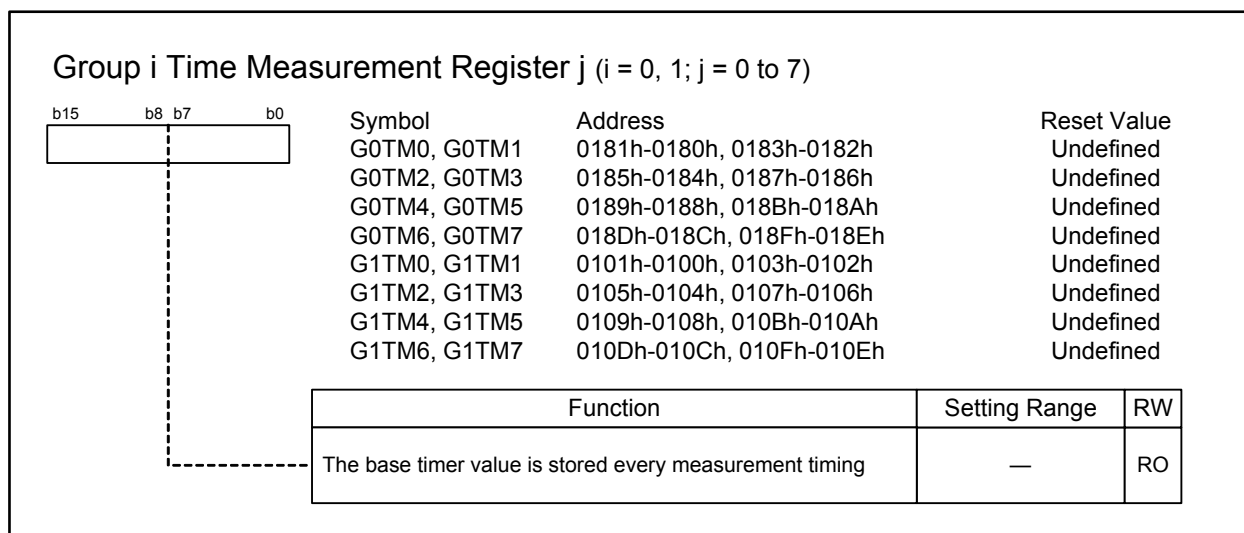


Figure 23.11 Registers G0TM0 to G0TM7 and G1TM0 to G1TM7

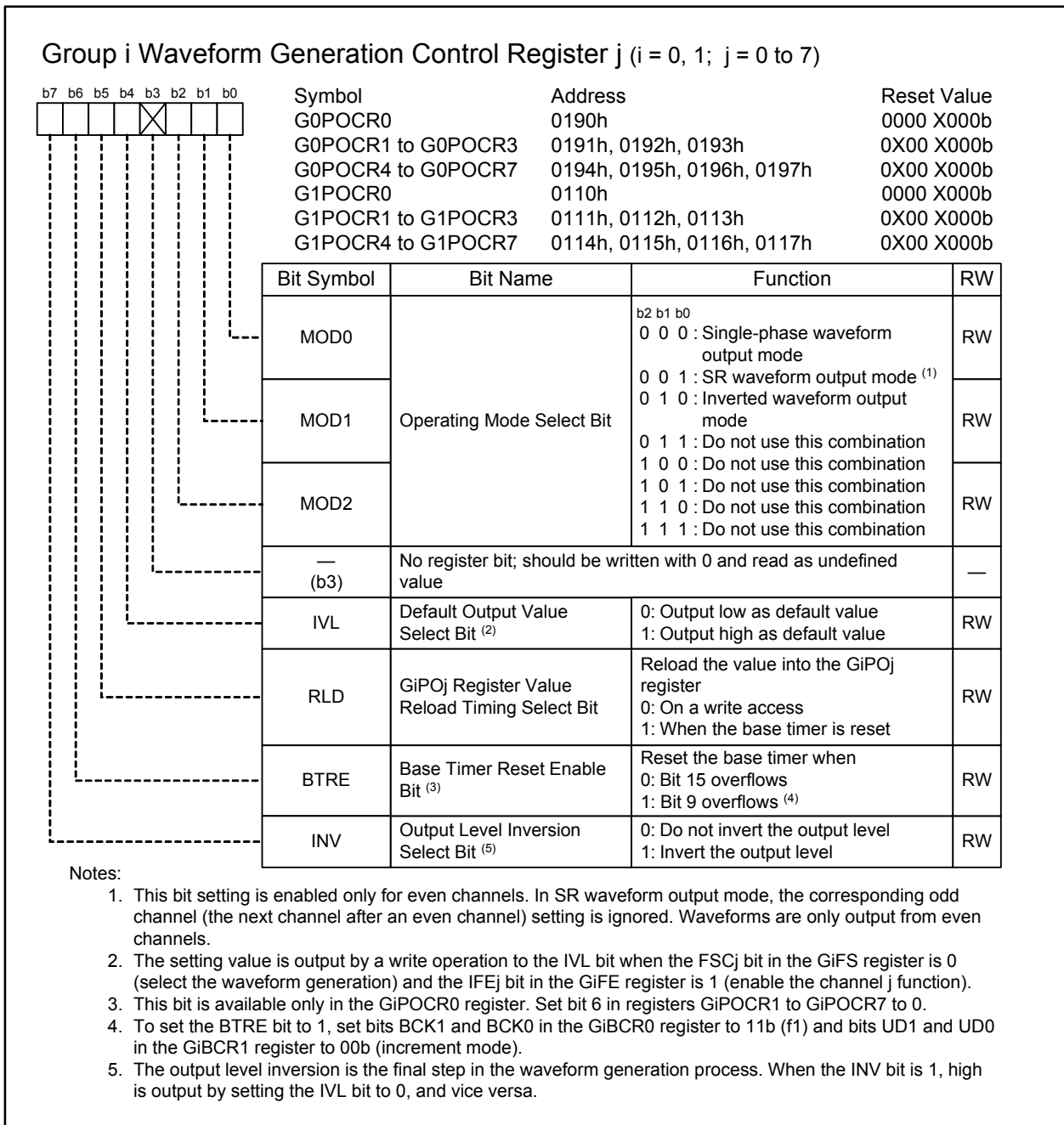


Figure 23.12 Registers G0POCR0 to G0POCR7 and G1POCR0 to G1POCR7

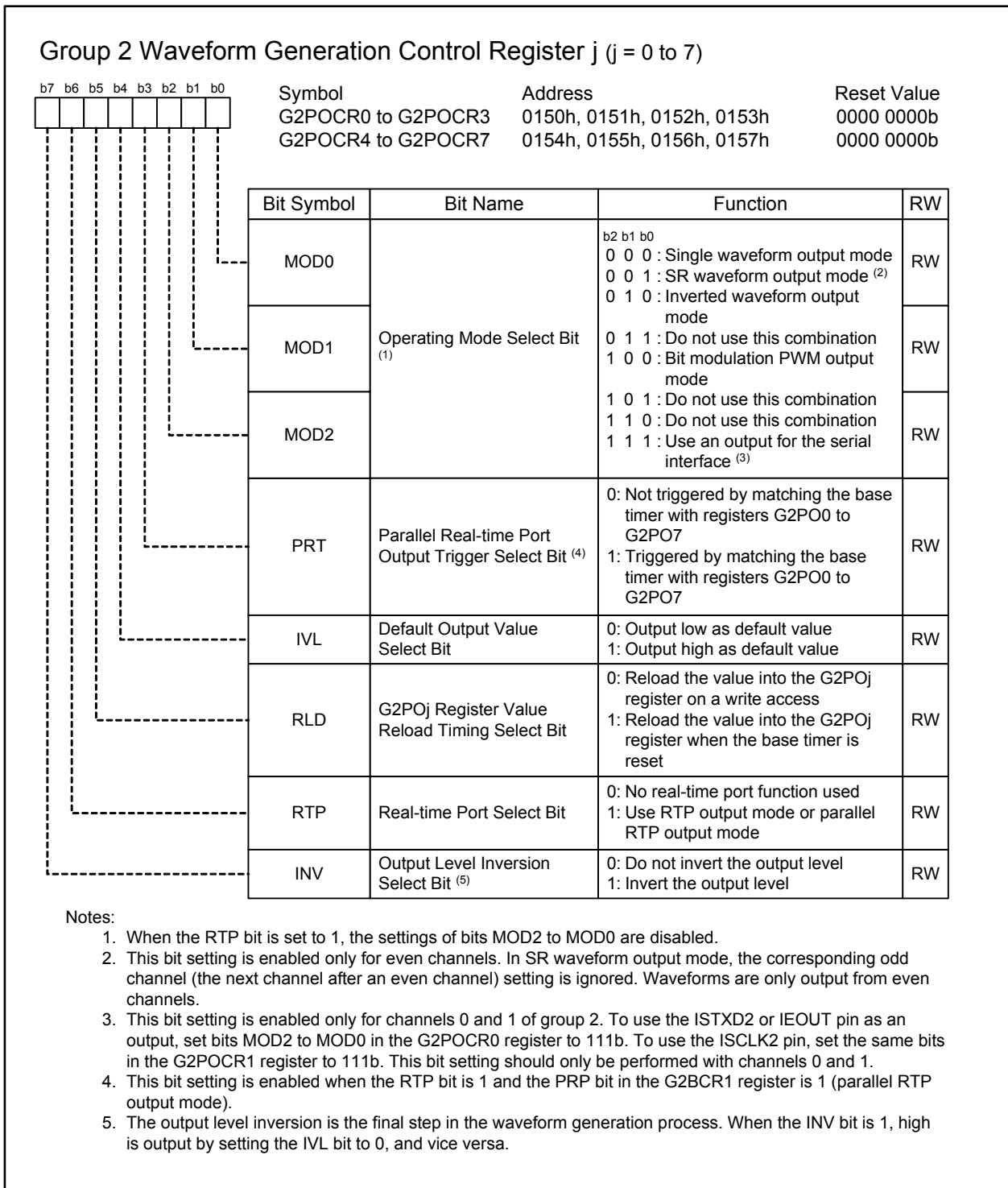


Figure 23.13 Registers G2POCR0 to G2POCR7

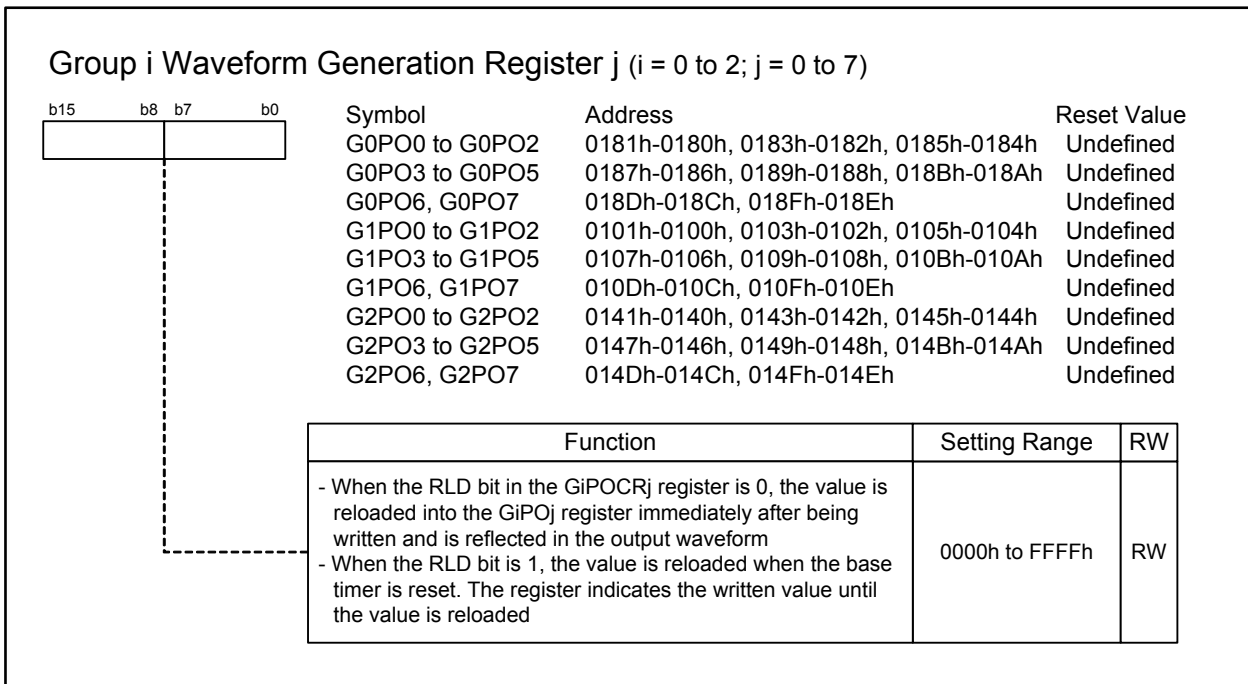


Figure 23.14 Registers G0PO0 to G0PO7, G1PO0 to G1PO7, and G2PO0 to G2PO7

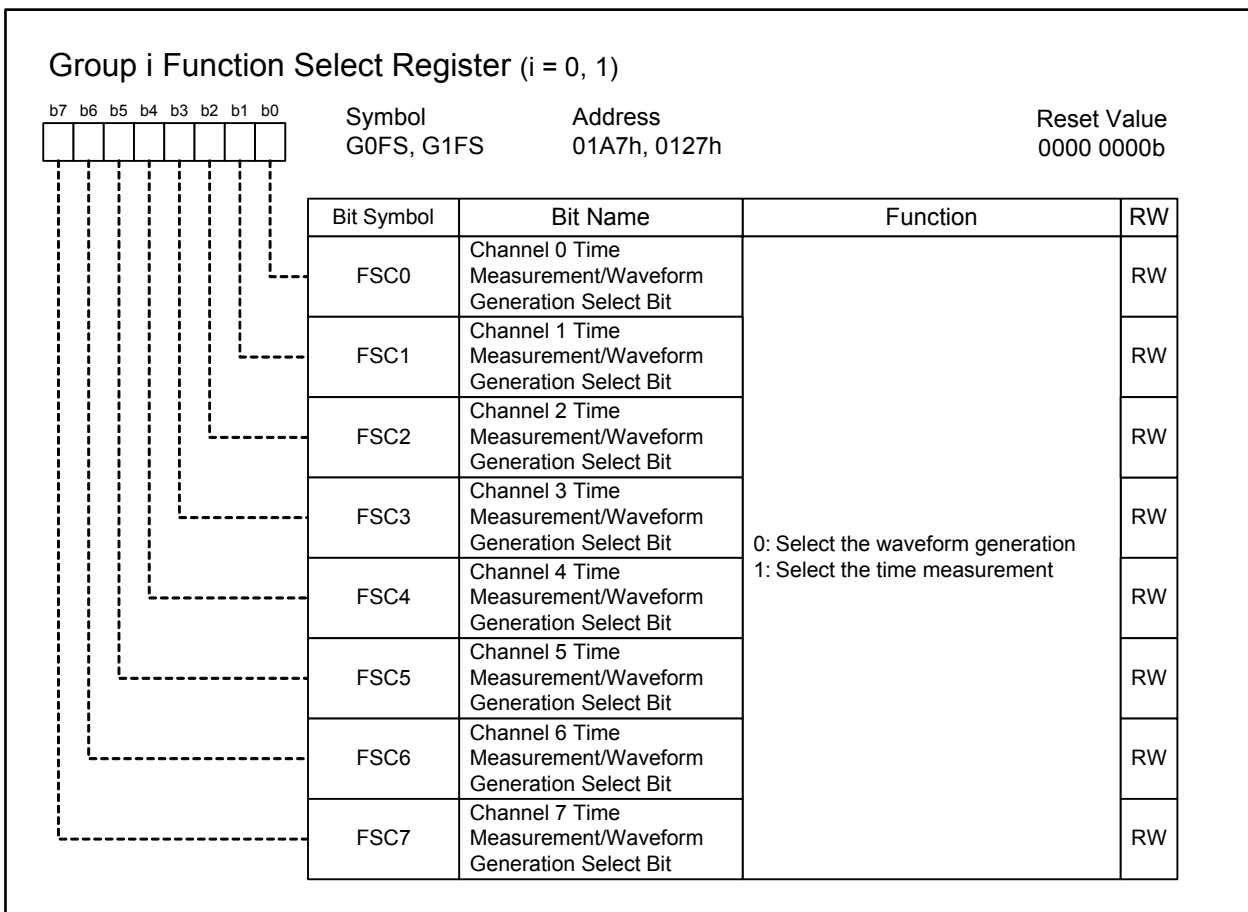


Figure 23.15 Registers G0FS and G1FS

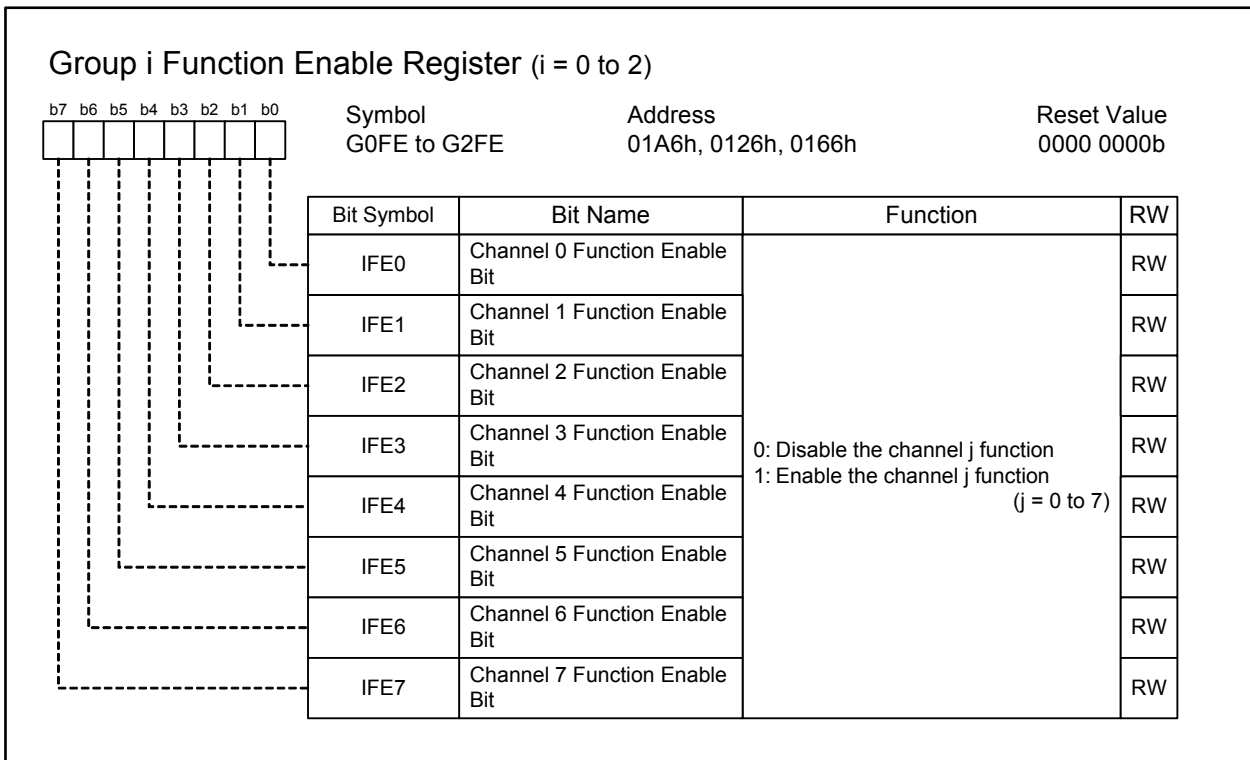


Figure 23.16 Registers G0FE to G2FE

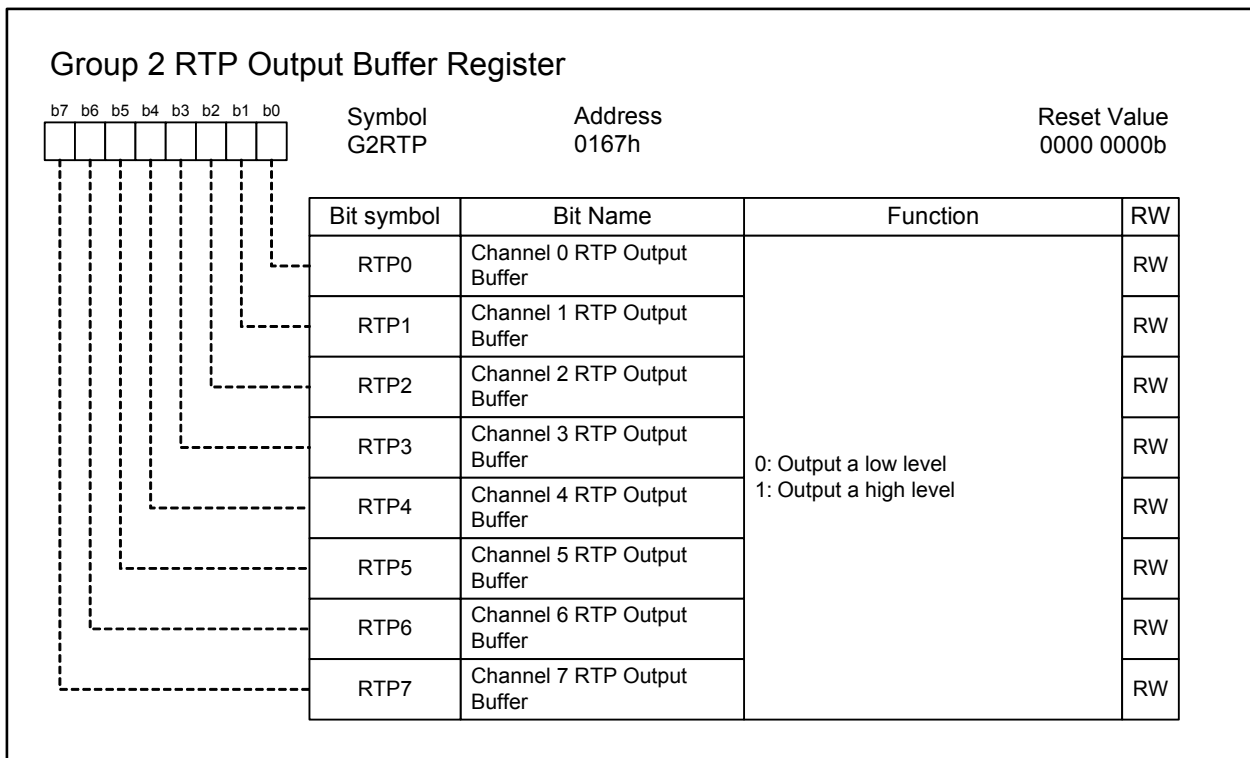


Figure 23.17 G2RTP Register

23.1 Base Timer for Groups 0 to 2

The base timer is a free-running counter that counts an internally generated count source. Table 23.2 lists specifications of the base timer. Figures 23.4 to 23.17 show registers associated with the base timer. Figure 23.18 shows a block diagram of the base timer. Figures 23.19, 23.20, and 23.21 show operation examples of the base timer for groups 0 and 1 in increment mode, increment/decrement mode, and two-phase pulse signal processing mode, respectively.

Table 23.2 Base Timer Specifications (i = 0 to 2)

Item	Specification
Count source (fBTi)	f1 divided by 2(n+1) for groups 0 to 2, two-phase pulse input divided by 2(n+1) for groups 0 and 1 n: setting value using bits DIV4 to DIV0 in the GiBCR0 register n = 0 to 31; however no division when n = 31
Count operations	<ul style="list-style-type: none"> • Increment • Increment/decrement • Two-phase pulse signal processing
Count start conditions	<ul style="list-style-type: none"> • To start each base timer individually, The BTS bit in the GiBCR1 register is 1 (start counting) • To start the base timers of multiple groups simultaneously, The BTiS bit in the B TSR register is 1 (start counting)
Count stop condition	The BTiS bit in the B TSR register and the BTS bit in the GiBCR1 register are 0 (reset the base timer)
Reset conditions	<ul style="list-style-type: none"> • The base timer value matches the GiPO0 register setting • An input of low signal into the external interrupt pin ($\overline{\text{INT0}}$ or $\overline{\text{INT1}}$) as follows: for group 0: selected using bits IFS23 and IFS22 in the IFS2 register for group 1: selected using bits IFS27 and IFS26 in the IFS2 register • The overflow of bit 15 or bit 9 in the base timer • The base timer reset request from the communication functions (group 2)
Reset value	0000h
Interrupt request	When the BTiR bit in the interrupt request register becomes 1 (interrupt requested) by the overflow of bit 9, 14, or 15 in the base timer (refer to Figure 11.12)
Read from base timer	<ul style="list-style-type: none"> • The GiBT register indicates a counter value while the base timer is running • The GiBT register is undefined while the base timer is being reset
Write to base timer	When a value is written while the base timer is running, the timer counter immediately starts counting from this value. No value can be written while the base timer is being reset
Other functions	<ul style="list-style-type: none"> • Increment/decrement mode for groups 0 and 1 The base timer starts counting when the BTS or BTiS bit is set to 1. When the base timer reaches FFFFh, it starts decrementing. When the RST1 bit in the GiBCR1 register is 1 (the base timer is reset by matching with the GiPO0 register), the timer counter starts decrementing two counts after the base timer value matches the GiPO0 register setting. When the timer counter reaches 0000h, it starts incrementing again (refer to Figure 23.20). • Two-phase pulse signal processing mode for groups 0 and 1 Two-phase pulse signals at pins UDiA and UDiB are counted (refer to Figure 23.21). <div style="text-align: center;"> <p>The timer counter increments on all edges The timer counter decrements on all edges</p> </div>

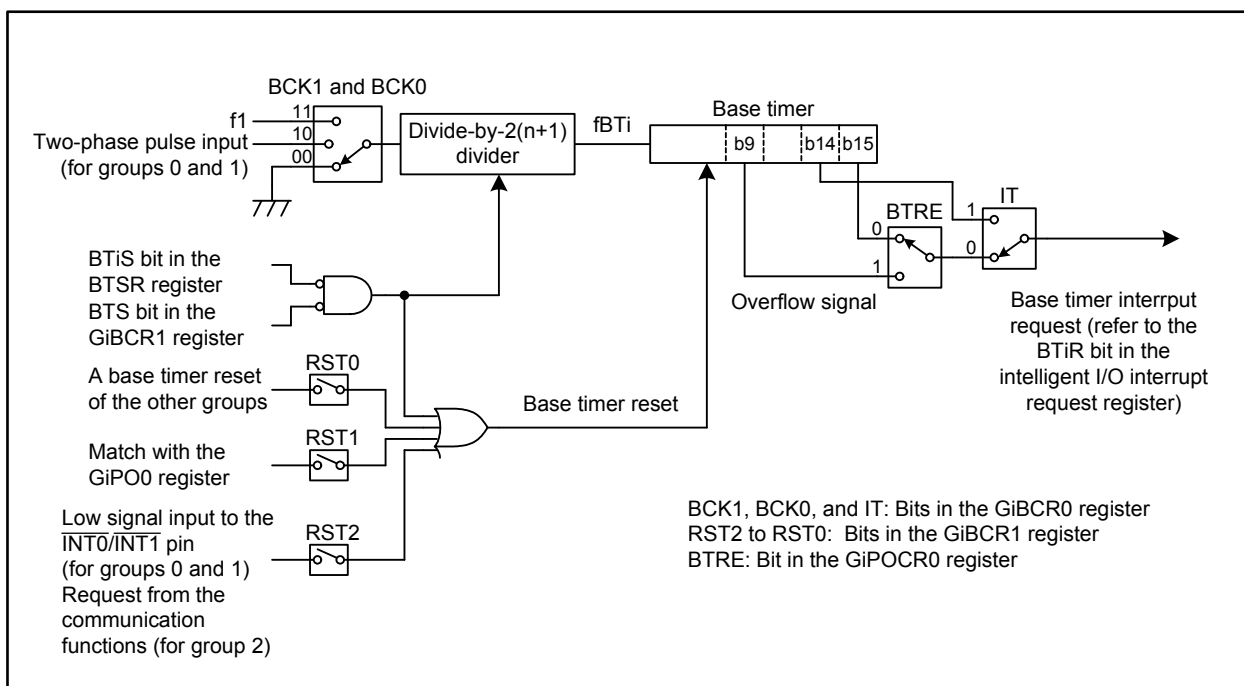


Figure 23.18 Base Timer Block Diagram (i = 0 to 2)

Table 23.3 Base Timer Associated Register Settings (Common Settings for Time Measurement, Waveform Generation, and Serial Interface) (i = 0 to 2)

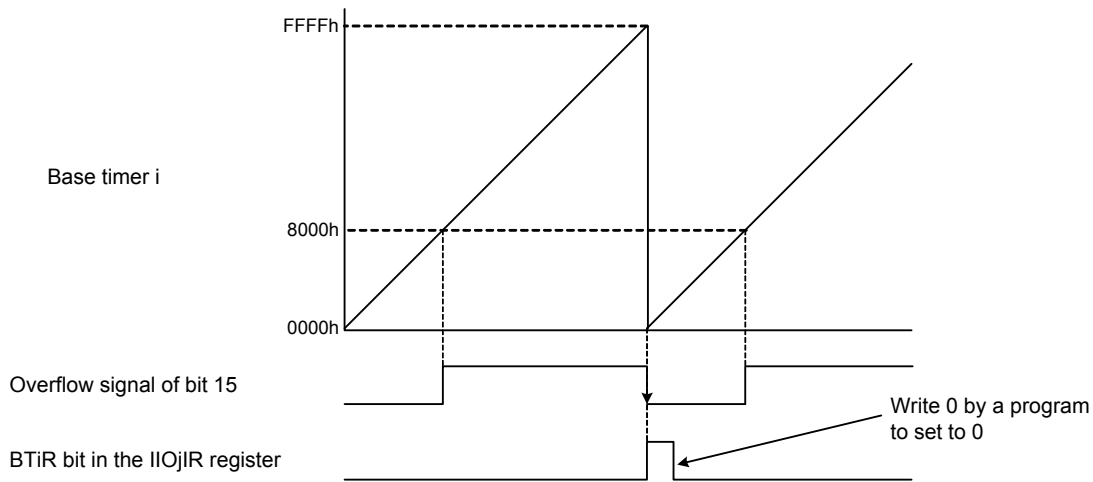
Register	Bits	Function
G2BCR0	—	Provide an operating clock to the B TSR register. Set to 0111 1111b
B TSR	—	Set to 0000 0000b
GiBCR0	BCK1 and BCK0	Select a count source
	DIV4 to DIV0	Select a count source divide ratio
	IT	Select a base timer interrupt source
GiBCR1	RST2 to RST0	Select a timing for base timer reset
	B TS	Use this bit when each base timer individually starts counting
	UD1 and UD0	Select a count mode in groups 0 and 1
GiPOCR0	BTRE	Select a source for base timer reset
GiBT	—	Read or write the base timer value

The following register settings are required to set the RST1 bit to 1 (the base timer is reset by matching with the GiPO0 register).

GiPOCR0	MOD2 to MOD0	Set to 000b (single-phase waveform output mode)
GiPO0	—	Set the reset cycle
GiFS	FSC0	Set the bit to 0 (select the waveform generation)
GiFE	IFE0	Set the bit to 1 (channel operation starts)

Bit configurations and functions vary by group.

(A) When the IT bit in the GiBCR0 register is 0
(an interrupt is requested by the overflow of bit 15 in the base timer)

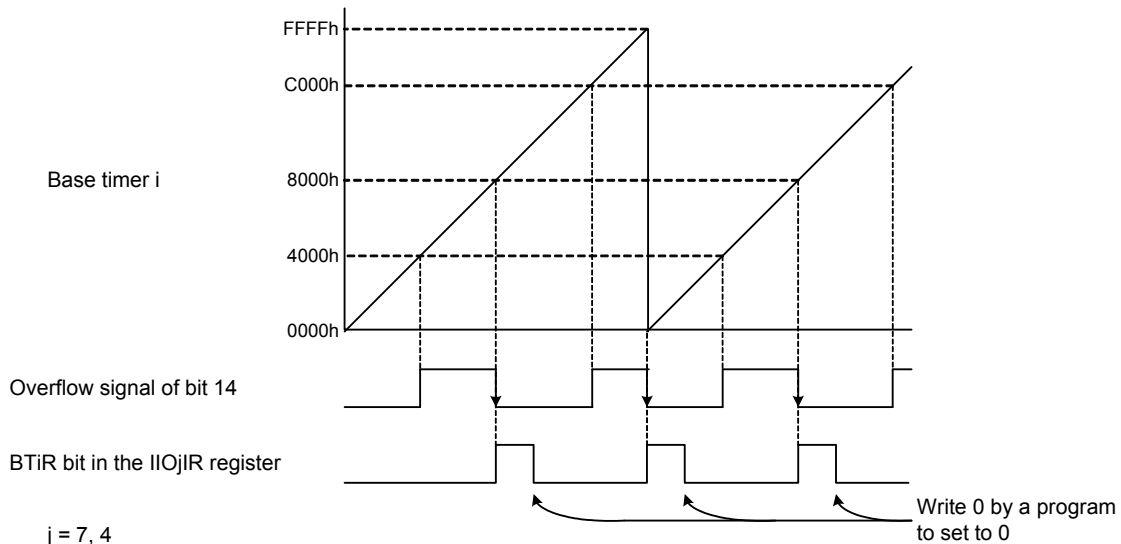


$j = 7, 4$

This figure applies under the following conditions:

- The RST1 bit in the GiBCR1 register is 0 (the match with the GiPO0 register is not the reset source for the base timer)
- Bits UD1 and UD0 in the GiBCR1 register are 00b (increment mode)

(B) When the IT bit in the GiBCR0 register is 1
(an interrupt is requested by the overflow of bit 14 in the base timer)



$j = 7, 4$

This figure applies under the following conditions:

- The RST1 bit in the GiBCR1 register is 0 (the match with the GiPO0 register is not the reset source for the base timer)
- Bits UD1 and UD0 in the GiBCR1 register are 00b (increment mode)

Figure 23.19 Base Timer Increment Mode for Groups 0 and 1 ($i = 0, 1$)

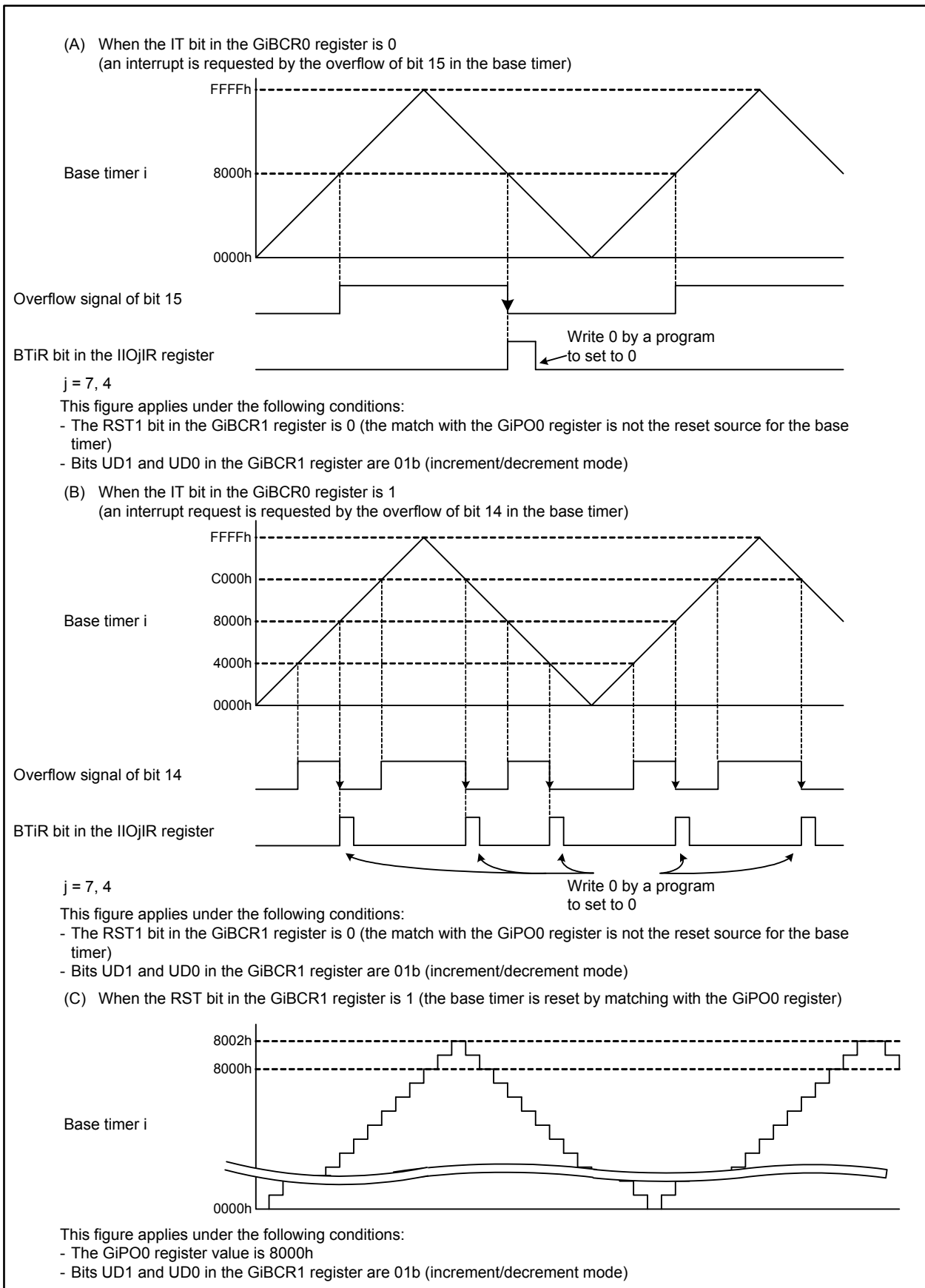


Figure 23.20 Base Timer Increment/Decrement for Groups 0 and 1 (i = 0, 1)

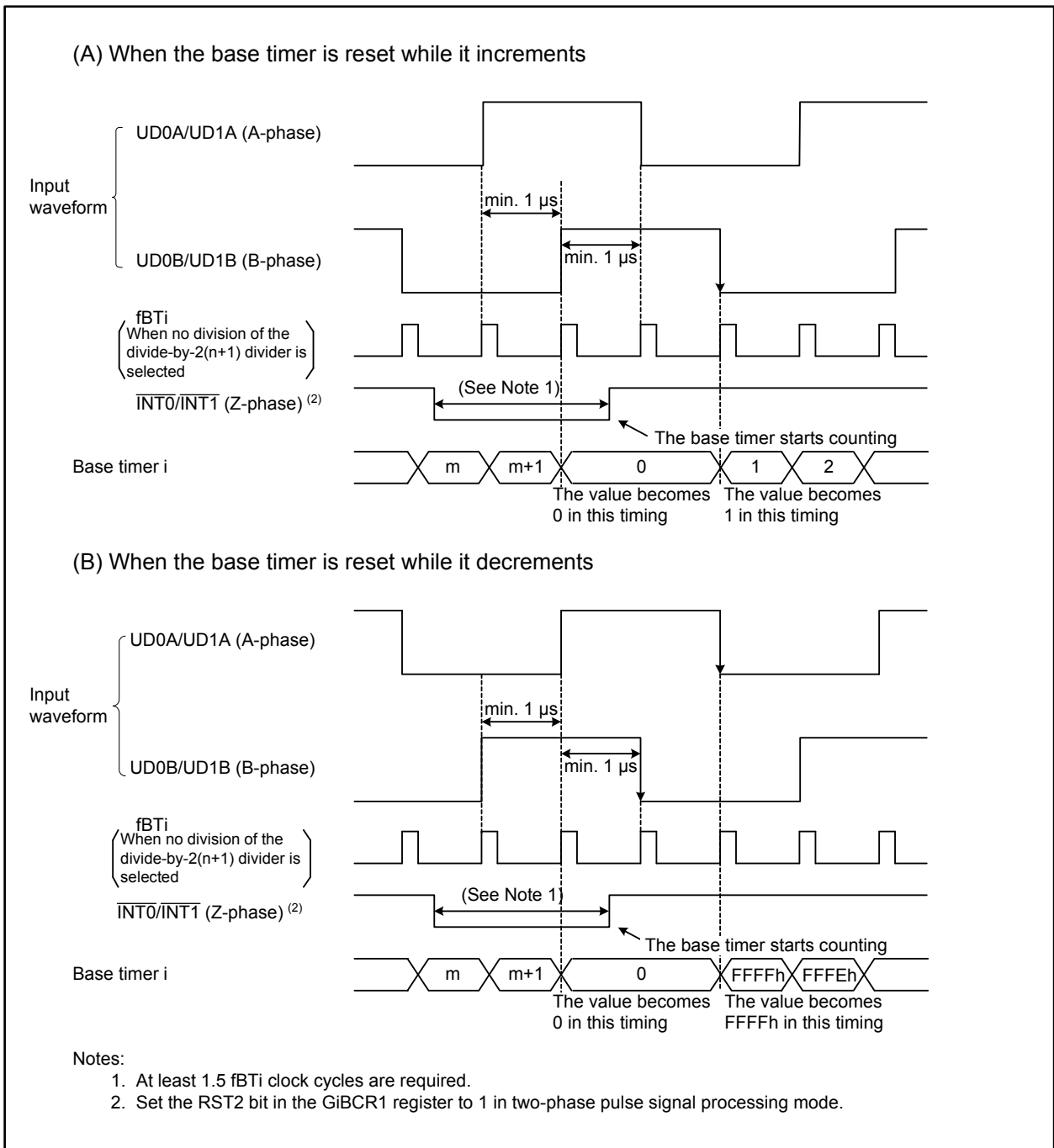


Figure 23.21 Base Timer Two-phase Pulse Signal Processing Mode for Groups 0 and 1 (i = 0, 1)

23.2 Time Measurement for Groups 0 and 1

Every time an external trigger is input, the base timer value is stored into the GiTMj register ($i = 0, 1; j = 0$ to 7). Table 23.4 lists specifications of the time measurement and Table 23.5 lists its register settings. Figures 23.22 and 23.23 show operation examples of the time measurement and Figure 23.24 shows operation examples with the prescaler or gate function.

Table 23.4 Time Measurement Specifications ($i = 0, 1; j = 0$ to 7)

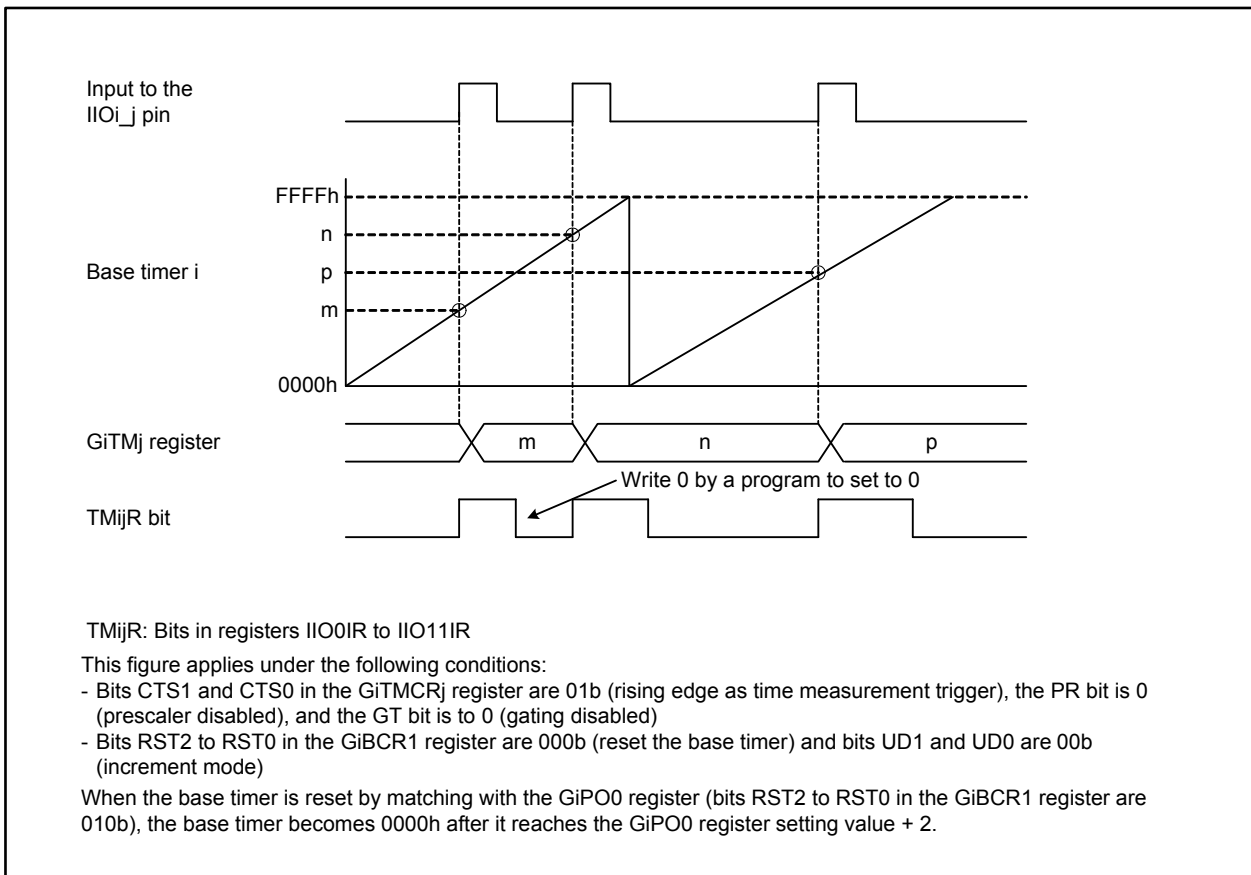
Item	Specification
Time measurement channels	Group 0: Channels 0 to 7 Group 1: Channels 0 to 7
Trigger input polarity	Rising edge, falling edge, or both edges of the IIOi_j pin
Time measurement start condition	The IFEj bit in the GiFE register is 1 (enable the channel j function) while the FSCj bit in the GiFS register is 1 (select the time measurement)
Time measurement stop condition	The IFEj bit is 0 (disable the channel j function)
Time measurement timing	<ul style="list-style-type: none"> Without the prescaler: every time a trigger is input With the prescaler for channels 6 and 7: every [GiTPRk register value + 1] times a trigger is input ($k = 6, 7$)
Interrupt request	When the TMijR bit in the interrupt request register becomes 1 (interrupt requested) (refer to Figure 11.12)
IIOi_j input pin function	Trigger input
Other functions	<ul style="list-style-type: none"> Digital filter The digital filter determines a trigger input level every f1 or fBTi cycle and passes the signals holding the same level during three sequential cycles Prescaler for channels 6 and 7 Time measurement is executed every [GiTPRk register value + 1] times a trigger is input Gating for channels 6 and 7 This function disables any trigger input to be accepted after the time measurement by the first trigger input. However, the trigger input can be accepted again if any of following conditions are met while the GOC bit in the GiTMCRk register is 1 (the gating is cleared when the base timer matches the GiPOp register) ($p = 4, 5; p = 4$ when $k = 6; p = 5$ when $k = 7$): <ul style="list-style-type: none"> The base timer value matches the GiPOp register setting The GSC bit in the GiTMCRk register is 1

Table 23.5 Time Measurement (for Groups 0 and 1) Associated Register Settings (i = 0, 1; j = 0 to 7; k = 6, 7)

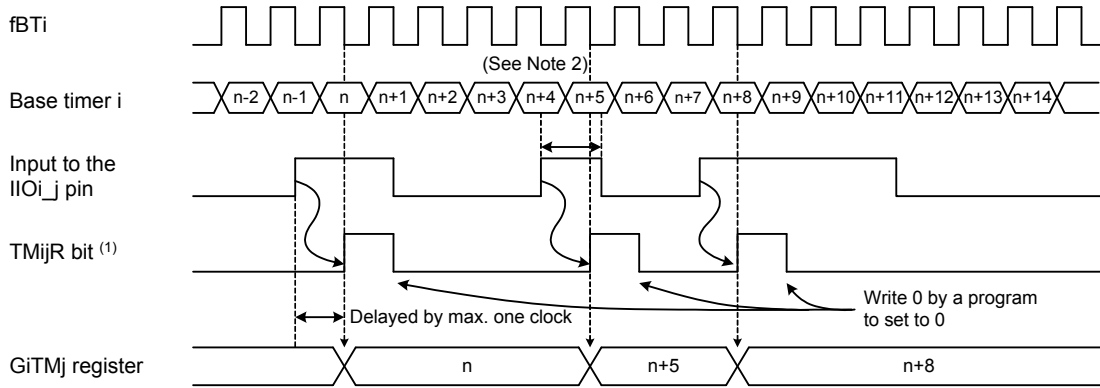
Register	Bits	Function
GiTMCRj	CTS1 and CTS0	Select a time measurement trigger
	DF1 and DF0	Select a digital filter
	GT, GOC, GSC	Select if the gating is used
	PR	Select if the prescaler is used
GiTPRk	—	Set the prescaler value
GiFS	FSCj	Set the bit to 1 (select the time measurement)
GiFE	IFEj	Set the bit to 1 (enable the channel j function)

Bit configurations and functions vary with channels and groups.

Registers associated with the time measurement should be set after setting the base timer-associated registers.

**Figure 23.22 Time Measurement Operation (1/2) (i = 0, 1; j = 0 to 7)**

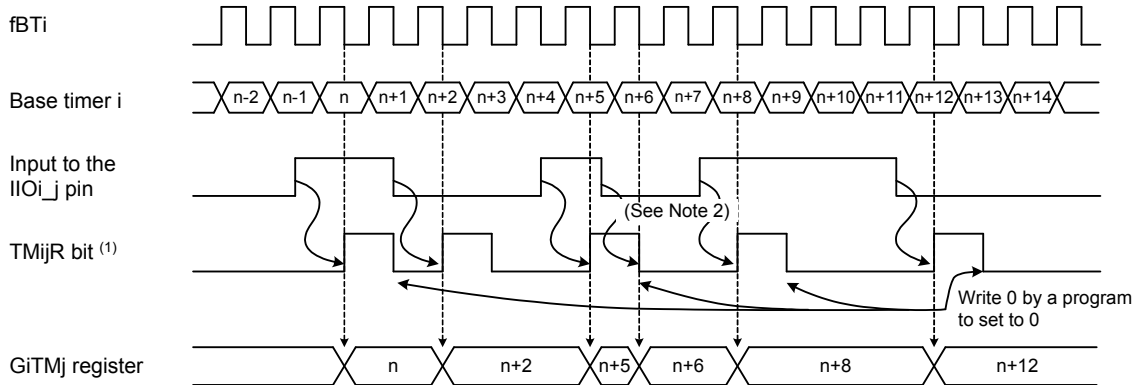
(A) When selecting the rising edge as a time measurement trigger
(bits CTS1 and CTS0 in the GiTMCRj register are 01b)



Notes:

1. Bits in registers IIO0IR to IIO11IR.
2. Input pulse applied to the IIOi_j pin requires at least 1.5 fBTi clock cycles.

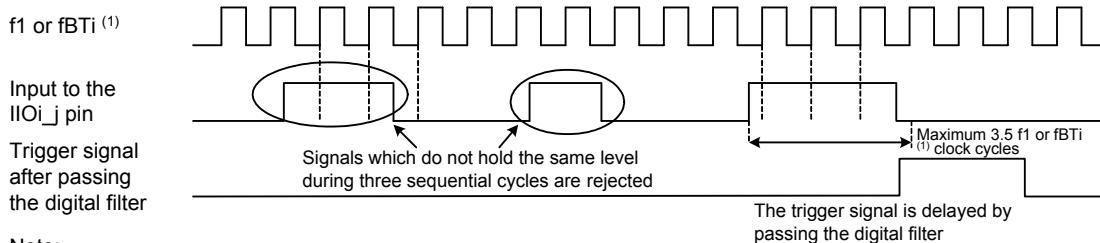
(B) When selecting both edges as a time measurement trigger
(bits CTS1 and CTS0 in the GiTMCRj register are 11b)



Notes:

1. Bits in registers IIO0IR to IIO11IR.
2. No interrupt occurs if the MCU receives a trigger signal when the TMijR bit is 1. However, the value of GiTMj register changes.

(C) Trigger signal when using the digital filter
(bits DF1 and DF0 in the GiTMCRj register are 10b or 11b)



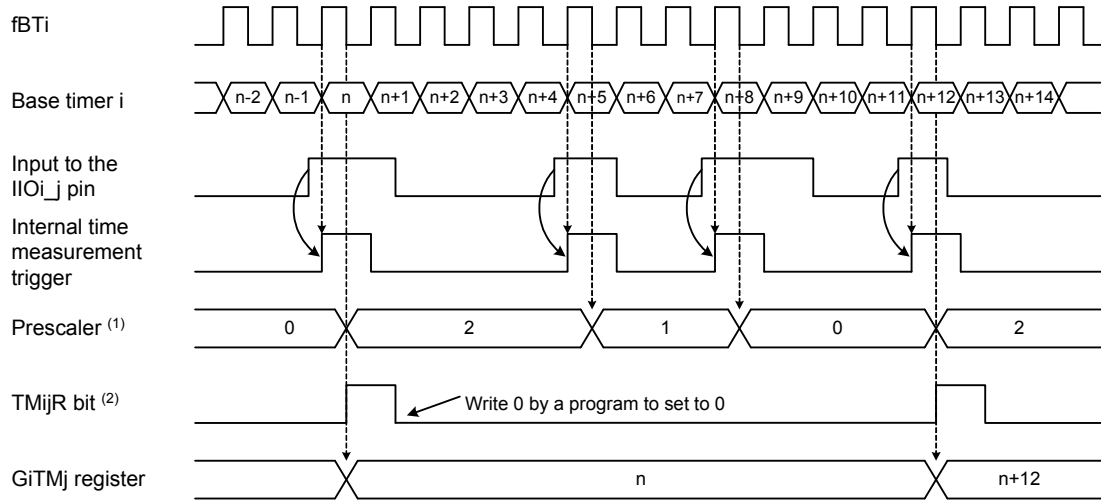
Note:

1. fBTi when bits DF1 and DF0 are 10b, f1 when the bits are 11b.

Figure 23.23 Time Measurement Operation (2/2) (i = 0, 1; j = 0 to 7)

(A) Operation with the prescaler

(the GiTPRj register is 02h and the PR bit in the GiTMCRj register is 1)

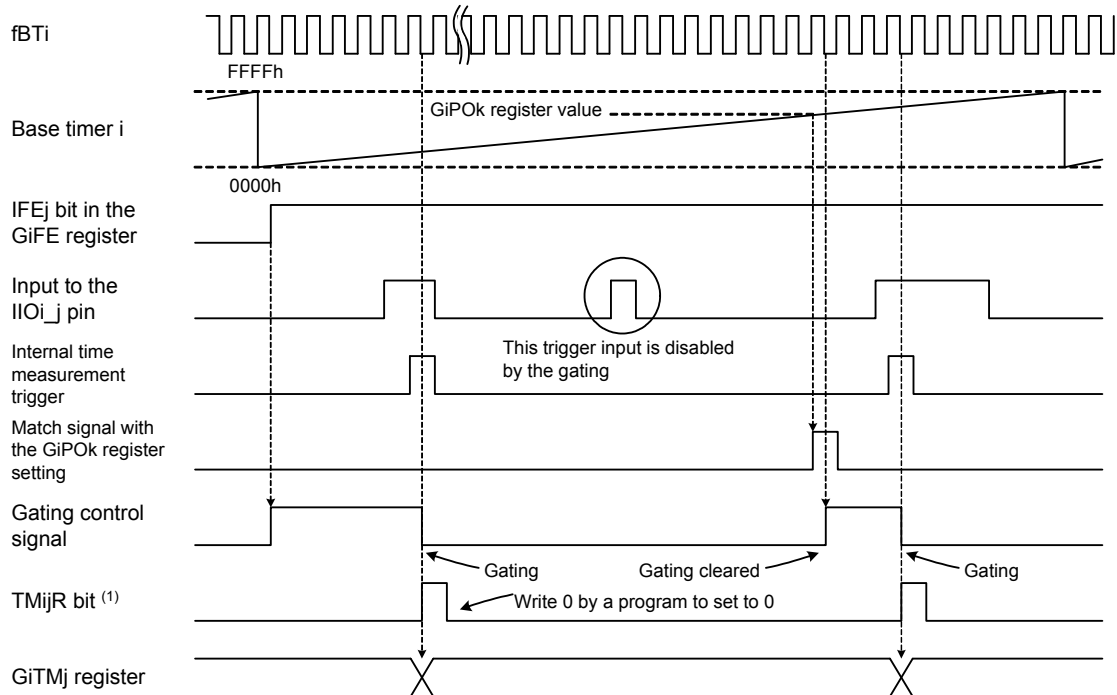


Notes:

1. This example applies to cycles following the first cycle after the PR bit in the GiTMCRj register is set to 1 (prescaler enabled).
2. Bits in registers IIO0IR to IIO11IR.

(B) Operation with the gating

(the gating is cleared by matching the base timer value with the GiPOk register setting, and bits GT and GOC in the GiTMCRj register are 1, respectively)



Note:

1. Bits in registers IIO0IR to IIO11IR.

Figure 23.24 Prescaler and Gate Operations (i = 0, 1; j = 6, 7; k = 4, 5)

23.3 Waveform Generation for Groups 0 to 2

Waveforms are generated when the base timer value matches the GiPOj register setting (i = 0 to 2; j = 0 to 7).

Waveform generation has the following six modes:

- Single-phase waveform output mode for groups 0 to 2
- Inverted waveform output mode for groups 0 to 2
- Set/reset waveform output (SR waveform output) mode for groups 0 to 2
- Bit modulation PWM output mode for group 2
- Real-time port output (RTP output) mode for group 2
- Parallel real-time port output (parallel RTP output) mode for group 2

Table 23.6 lists registers associated with the waveform generation.

Table 23.6 Waveform Generation Associated Register Settings (i = 0 to 2; j = 0 to 7)

Register	Bits	Function
GiPOCRj	MOD2 to MOD0	Select a waveform output mode
	PRT (1)	Set the bit to 1 to use parallel RTP output mode
	IVL	Select a default value
	RLD	Select a timing to reload the value into the GiPOj register
	RTP (1)	Set the bit to 1 to use RTP output mode or parallel RTP output mode. The settings of bits MOD2 to MOD0 are disabled when this bit is set to 1
	INV	Select if output level is inverted
G2BCR1	PRP	Set the bit to 1 to use parallel RTP output mode
GiPOj	—	Set the timing to invert output waveform level
GiFS	FSCj	Set the bit to 0 (select the waveform generation) for groups 0 and 1 only
GiFE	IFEj	Set the bit to 1 (enable the channel j function)
G2RTP	RTP0 to RTP7	Set the RTP output value in RTP output mode or parallel RTP output mode

Bit configurations and functions vary with channels and groups.

Registers associated with the waveform generation should be set after setting the base timer-associated registers.

Note:

1. This bit is available in the G2POCRj register only. Neither the G0POCRj nor G1POCRj register has it.

23.3.1 Single-phase Waveform Output Mode for Groups 0 to 2

The output level at the IIOi_j pin (or OUTC2_j pin for group 2) becomes high when the base timer value matches the GiPOj register (i = 0 to 2; j = 0 to 7). It switches to low when the base timer reaches 0000h. If the IVL bit in the GiPOCRj register is set to 1 (output high as default value), a high level output is provided when a waveform output starts. If the INV bit is set to 1 (invert the output level), a waveform with an inverted level is output. Refer to Figure 23.25 for details on single-phase waveform mode operation.

Table 23.7 lists specifications of single-phase waveform output mode.

Table 23.7 Single-phase Waveform Output Mode Specifications (i = 0 to 2)

Item	Specification
Output waveform (1)	<ul style="list-style-type: none"> Free-running operation (when bits RST2 to RST0 in the GiBCR1 register are 000b) <ul style="list-style-type: none"> Cycle: $\frac{65536}{fBTi}$ Low level width: $\frac{m}{fBTi}$ High level width: $\frac{65536 - m}{fBTi}$ <i>m</i>: GiPOj register setting value (j = 0 to 7), 0000h to FFFFh The base timer is reset by matching the base timer value with the GiPO0 register setting (when bits RST2 to RST0 are 010b) <ul style="list-style-type: none"> Cycle: $\frac{n + 2}{fBTi}$ Low level width: $\frac{m}{fBTi}$ High level width: $\frac{n + 2 - m}{fBTi}$ <i>m</i>: GiPOj register setting value (j = 1 to 7), 0000h to FFFFh <i>n</i>: GiPO0 register setting value, 0001h to FFFDh If $m \geq n + 2$, the output level is fixed to low
Waveform output start condition (2)	The IFEj bit in the GiFE register is 1 (enable the channel j function) (j = 0 to 7)
Waveform output stop condition	The IFEj bit is 0 (disable the channel j function)
Interrupt request	When the POijR bit in the intelligent I/O interrupt request register becomes 1 (interrupt requested) by matching the base timer value with the GiPOj register setting (refer to Figure 11.12)
IIOi_j output pin (or OUTC2_j pin for group 2) function	Pulse signal output
Other functions	<ul style="list-style-type: none"> Default value setting This function determines the starting waveform output level Output level inversion This function inverts the waveform output level and outputs the inverted signal from the IIOi_j pin (or OUTC2_j pin for group 2)

Notes:

- When the INV bit in the GiPOCRj register is 1 (invert the output level), the high and low widths are inverted.
- To use channels shared by time measurement and waveform generation, set the FSCj bit in the GiFS register to 0 (select the waveform generation).

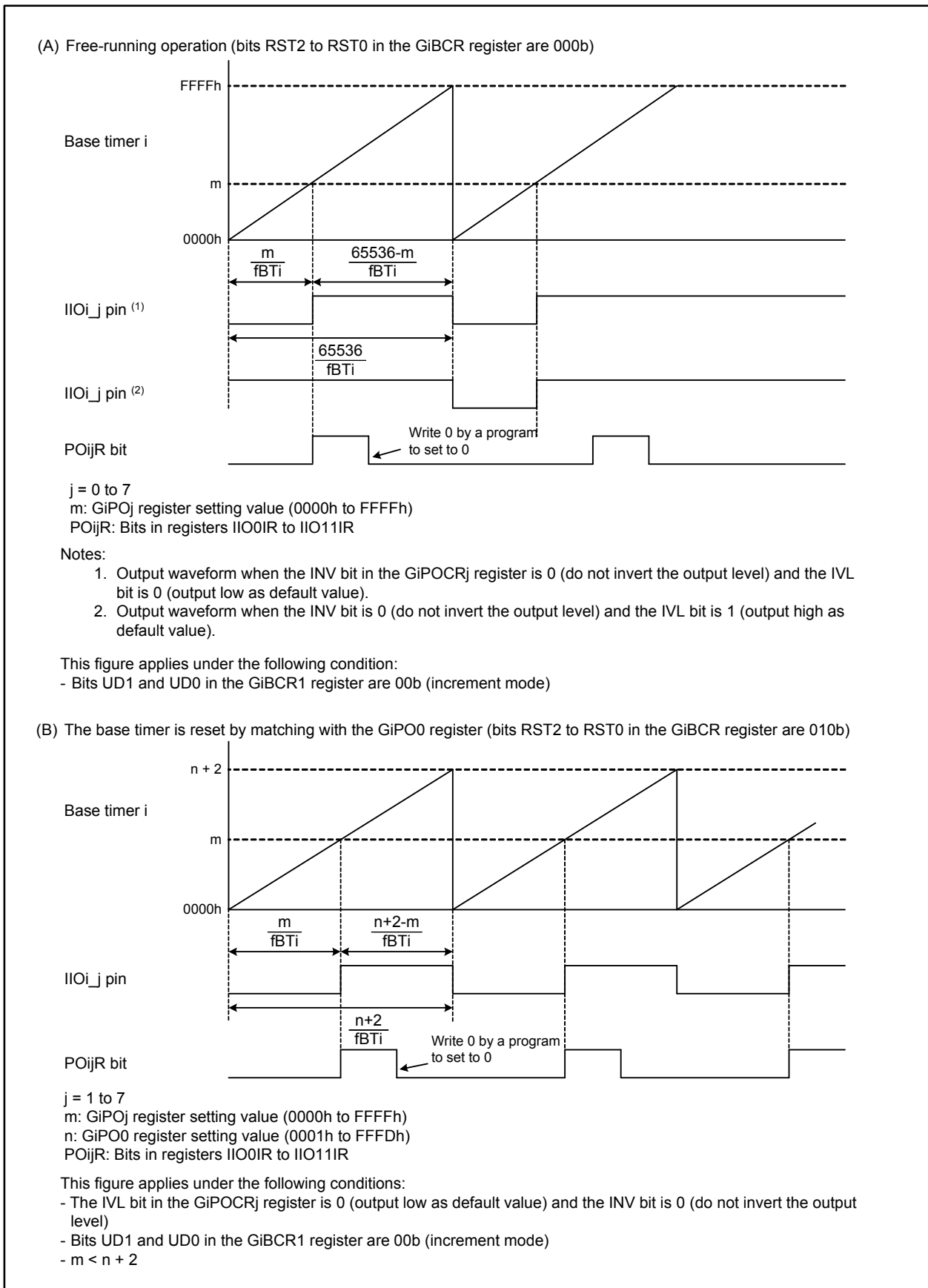


Figure 23.25 Single-phase Waveform Output Mode Operation (i = 0 to 2)

23.3.2 Inverted Waveform Output Mode for Groups 0 to 2

The output level at the IIOi_j pin (or OUTC2_j pin for group 2) is inverted every time the base timer value matches the GiPOj register setting (i = 0 to 2; j = 0 to 7).

Table 23.8 lists specifications of the inverted waveform output mode. Figure 23.26 shows an example of the inverted waveform output mode operation.

Table 23.8 Inverted Waveform Output Mode Specifications (i = 0 to 2)

Item	Specification
Output waveform	<ul style="list-style-type: none"> Free-running operation (when bits RST2 to RST0 in the GiBCR1 register are 000b) <ul style="list-style-type: none"> Cycle: $\frac{65536 \times 2}{fBTi}$ High or low level width: $\frac{65536}{fBTi}$ m: GiPOj register setting value (j = 0 to 7), 0000h to FFFFh The base timer is reset by matching the base timer value with the GiPO0 register setting (when bits RST2 to RST0 are 010b) <ul style="list-style-type: none"> Cycle: $\frac{2(n+2)}{fBTi}$ High or low level width: $\frac{n+2}{fBTi}$ n: GiPO0 register setting value, 0001h to FFFDh GiPOj register setting value (j = 1 to 7), 0000h to FFFFh If the GiPOj register setting $\geq n+2$, the output level is not inverted
Waveform output start condition ⁽¹⁾	The IFEj bit in the GiFE register is 1 (enable the channel j function) (j = 0 to 7)
Waveform output stop condition	The IFEj bit is 0 (disable the channel j function)
Interrupt request	When the POijR bit in the intelligent I/O interrupt request register becomes 1 (interrupt requested) by matching the base timer value with the GiPOj register setting (refer to Figure 11.12)
IIOi_j output pin (or OUTC2_j pin for group 2) function	Pulse signal output
Other functions	<ul style="list-style-type: none"> Default value setting This function determines the starting waveform output level Output level inversion This function inverts the waveform output level and outputs the inverted signal from the IIOi_j pin (or OUTC2_j pin for group 2)

Note:

- To use channels shared by time measurement and waveform generation, set the FSCj bit in the GiFS register to 0 (select the waveform generation).

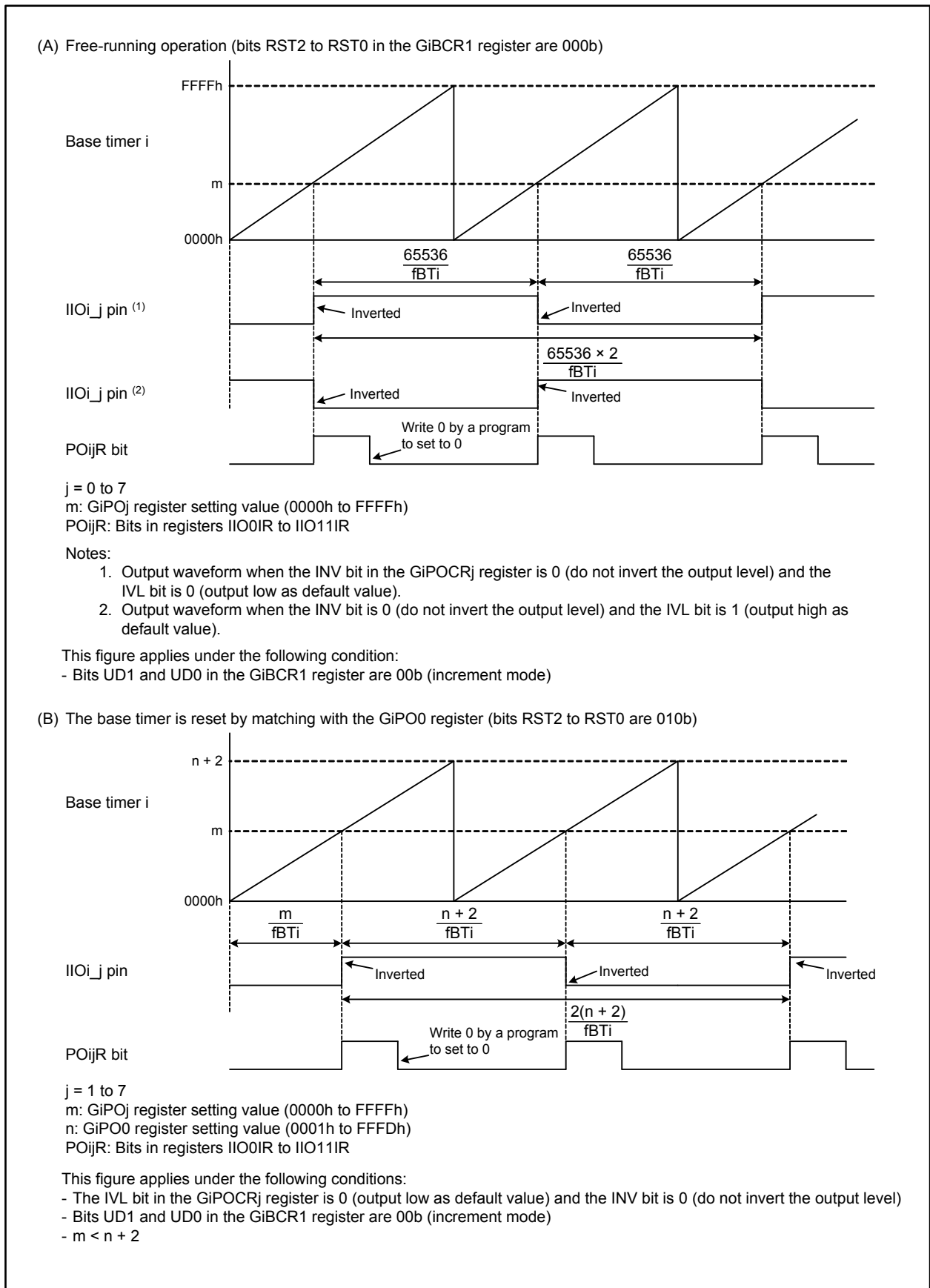


Figure 23.26 Inverted Waveform Output Mode Operation (i = 0 to 2)

23.3.3 Set/Reset Waveform Output Mode (SR Waveform Output Mode) for Groups 0 to 2

The output level at the IIOi_j pin (or OUTC2_j pin for group 2) becomes high when the base timer value matches the GiPOj register setting (i = 0 to 2; j = 0, 2, 4, 6). It becomes low when the base timer value matches the GiPOk register setting or the base timer reaches 0000h (k = j + 1). When the IVL bit in the GiPOCRj register is set to 1 (output high as default value), a high output level is provided when a waveform output starts (j = 0 to 7). When the INV bit is set to 1 (invert the output level), a waveform with inverted level is output. Refer to Figure 23.27 for details on SR waveform mode operation. Tables 23.9 and 23.10 list specifications of SR waveform output mode.

Table 23.9 SR Waveform Output Mode Specifications (i = 0 to 2) (1/2)

Item	Specification
Output waveform ⁽¹⁾	<ul style="list-style-type: none"> • Free-running operation (when bits RST2 to RST0 in the GiBCR1 register are 000b) <ul style="list-style-type: none"> (A) $m < n$ <ul style="list-style-type: none"> High level width: $\frac{n - m}{fBTi}$ Low level width: $\frac{m}{fBTi}$ (See Note 2) + $\frac{65536 - n}{fBTi}$ (See Note 3) (B) $m \geq n$ <ul style="list-style-type: none"> High level width: $\frac{65536 - m}{fBTi}$ Low level width: $\frac{m}{fBTi}$ m: GiPOj register setting value (j = 0, 2, 4, 6), 0000h to FFFFh n: GiPOk register setting value (k = j + 1), 0000h to FFFFh • The base timer is reset by matching with the GiPO0 register (when bits RST2 to RST0 are 010b) ⁽⁴⁾ <ul style="list-style-type: none"> (A) $m < n < p + 2$ <ul style="list-style-type: none"> High level width: $\frac{n + m}{fBTi}$ Low width: $\frac{m}{fBTi}$ (See Note 2) + $\frac{p + 2 - n}{fBTi}$ (See Note 3) (B) $m < p + 2 \leq n$ <ul style="list-style-type: none"> High level width: $\frac{p + 2 - m}{fBTi}$ Low level width: $\frac{m}{fBTi}$ (C) $m \geq p + 2$, output level is fixed to low p: GiPO0 register setting value, 0001h to FFFDh m: GiPOj register setting value (j = 2, 4, 6), 0000h to FFFFh n: GiPOk register setting value (k = j + 1), 0000h to FFFFh

Notes:

1. When the INV bit in the GiPOCRj register is 1 (invert the output level), the high and low widths are inverted.
2. Output period from a base timer reset until when the output level becomes high.
3. Output period from when the output level becomes low until the next base timer reset.
4. When the GiPO0 register resets the base timer, channel 0 and channel 1 SR waveform generation functions are not available.

Table 23.10 SR Waveform Output Mode Specifications (i = 0 to 2) (2/2)

Item	Specification
Waveform output start condition (1)	The IFEq bit in the GiFE register is 1 (enable the channel q function) (q = 0 to 7)
Waveform output stop condition	The IFEq bit is 0 (disable the channel q function)
Interrupt request	When the POijR bit in the intelligent I/O interrupt request register becomes 1 (interrupt requested) by matching the base timer value with the GiPOj register setting. When the POikR bit becomes 1 (interrupt requested) by matching the base timer value with the GiPOk register setting (refer to Figure 11.12)
IIOi_j output pin (or OUTC2_j pin for group 2) function	Pulse signal output
Other functions	<ul style="list-style-type: none"> • Default value setting This function determines the starting waveform output level • Output level inversion This function inverts the waveform output level and outputs the inverted signal from the IIOi_j pin (or OUTC2_j pin for group 2)

Note:

1. To use channels shared by time measurement and waveform generation, set the FSCj bit in the GiFS register to 0 (select the waveform generation).

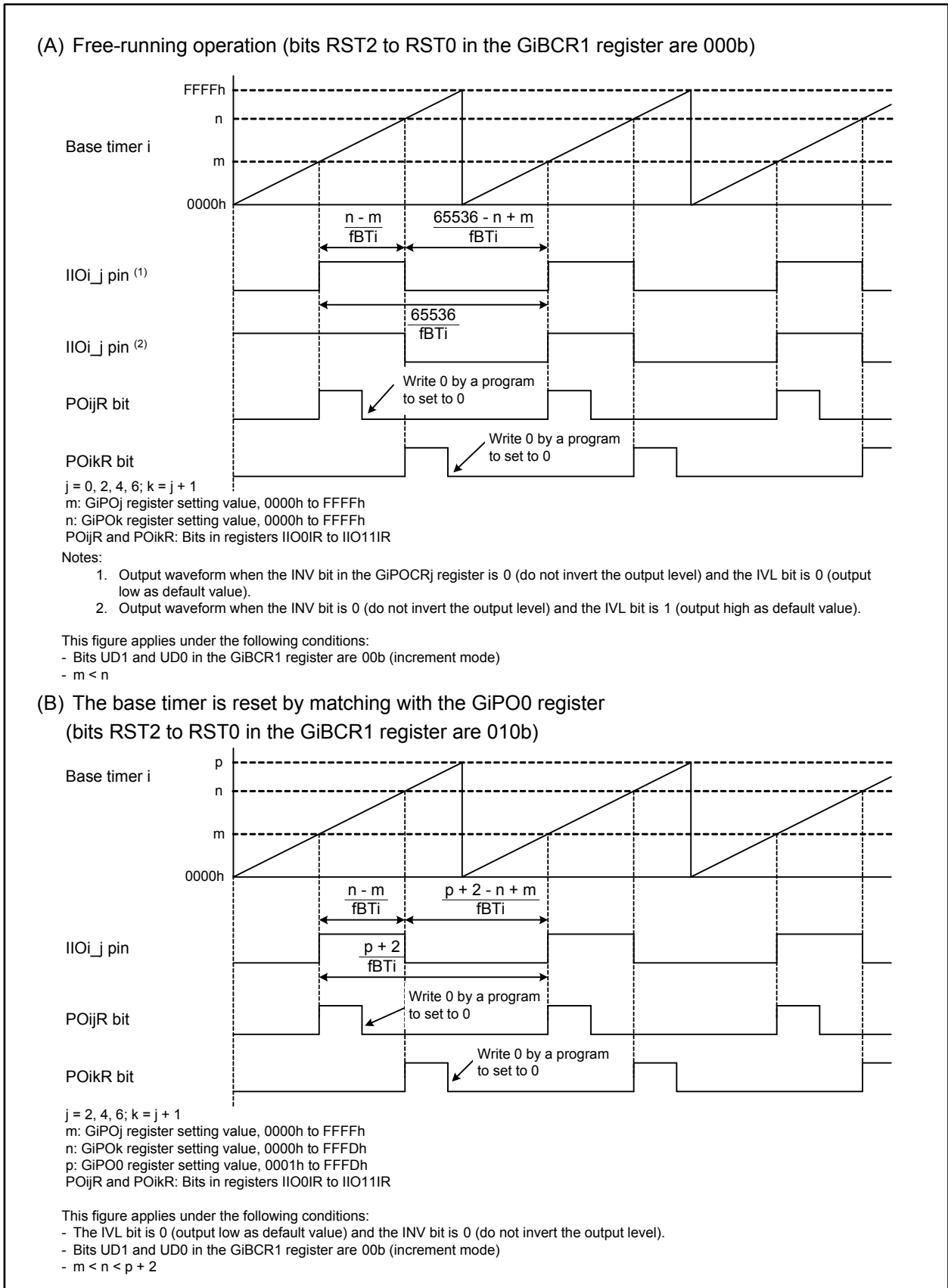


Figure 23.27 SR Waveform Output Mode Operation ($i = 0$ to 2)

23.3.4 Bit Modulation PWM Output Mode for Group 2

In bit modulation PWM output mode, a PWM output has 16-bit resolution.

Pulses are repeatedly output in a period of 1024 consecutive periods of span t . The period of span t is

$\frac{64}{fBT2}$. The 6 upper bits in the G2POj register determine the base low width ($j = 0$ to 7). The 10 lower

bits determine the number of span t , within a period, in which the low width is extended by the minimum resolution bit width, that is, one clock cycle.

When the INV bit is set to 1 (invert the output level), the waveform with an inverted level is output.

Table 23.11 lists specifications of bit modulation PWM output mode. Table 23.12 lists the number of modulated spans and span t s to be extended with the minimum resolution bit width. Figure 23.28 shows an example of bit modulation PWM output mode operation.

Table 23.11 Bit Modulation PWM Output Mode Specifications ($j = 0$ to 7)

Item	Specification
Output waveform (1,2)	PWM-repeated period T: $\frac{65536}{fBT2} \left(= \frac{64}{fBT2} \times 1024 \right)$ Period of span t : $\frac{64}{fBT2}$ Low width: $\frac{n+1}{fBT2}$ of m spans $\frac{n}{fBT2}$ of $(1024 - m)$ spans Mean low width: $\frac{1}{fBT2} \times \left(n + \frac{m}{1024} \right)$ n : G2POj register setting value (6 upper bits), 00h to 3Fh m : G2POj register setting value (10 lower bits), 000h to 3FFh
Waveform output start condition	The IFEj bit in the G2FE register is 1 (enable the channel j function)
Waveform output stop condition	The IFEj bit is 0 (disable the channel j function)
Interrupt request	When the PO2jR bit in the interrupt request register becomes 1 (interrupt requested) by matching the 6 lower bits of the base timer value with the 6 upper bits of the G2POj register setting (refer to Figure 11.12)
OUTC2_j pin function	Pulse signal output pin
Other functions	<ul style="list-style-type: none"> • Default value setting This function determines the starting waveform output level • Output level inversion This function inverts the waveform output level and outputs the inverted signal from the OUTC2_j pin

Notes:

1. Bits RST2 and RST0 in the G2BCR1 register should be set to 000b to use bit modulation PWM output mode.
2. When the INV bit in the G2POCRj register is set to 1 (invert the output level), the high and low widths are inverted.

Table 23.12 Number of Modulated Spans and Span t Extended Minimum Resolution Bit Width

Modulated Spans	Span ts to be Extended with Minimum Resolution Bit Width
00 0000 0000b	none
00 0000 0001b	t512
00 0000 0010b	t256 and t768
00 0000 0100b	t128, t384, t640, and t896
00 0000 1000b	t64, t192, t320, t448, t576, t704, t832, and t960
:	:
10 0000 0000b	t1, t3, t5, t7, ... t1019, t1021, and t1023

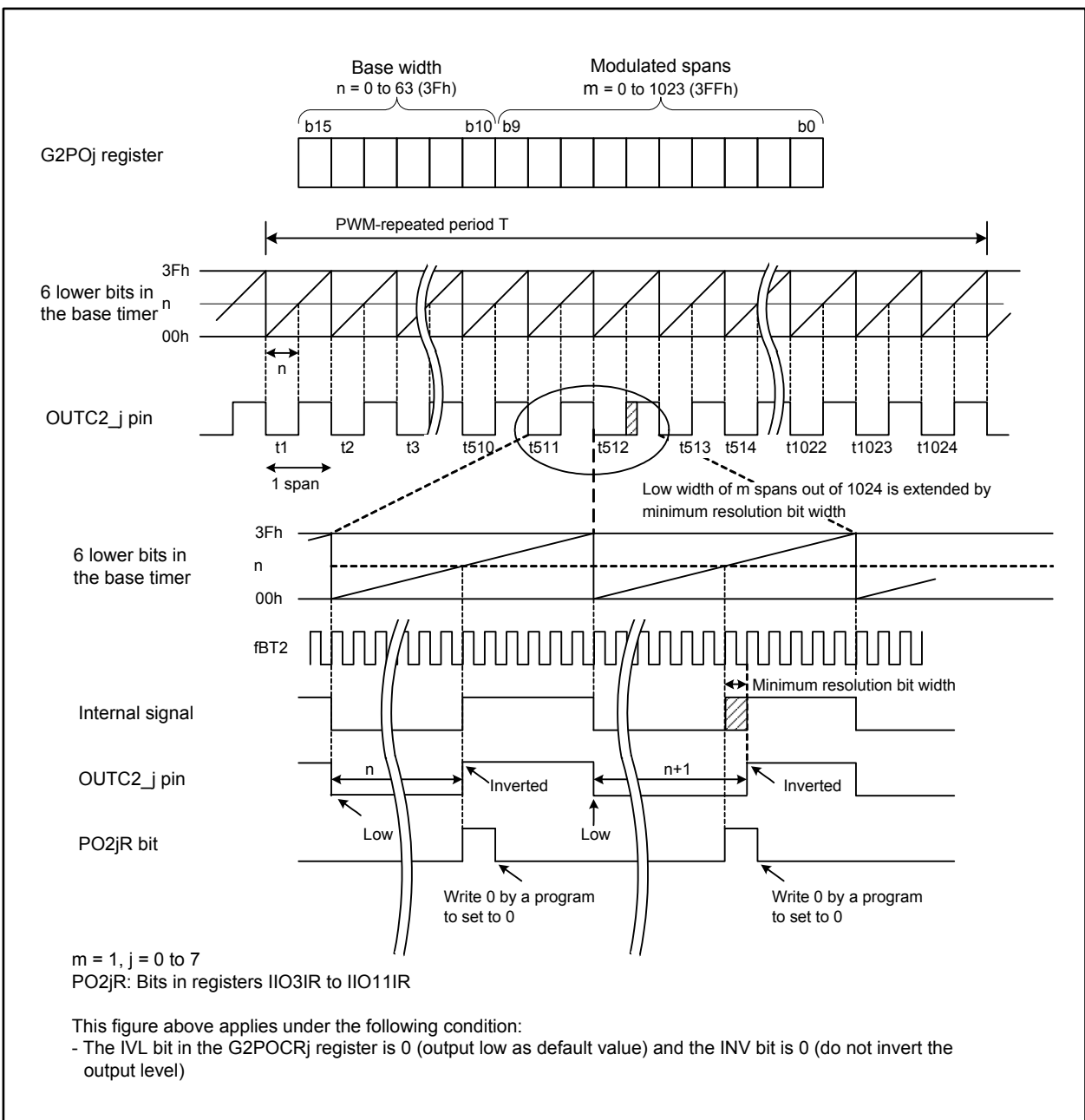


Figure 23.28 Bit Modulation PWM Output Mode Operation

23.3.5 Real-time Port Output Mode (RTP Output Mode) for Group 2

The OUTC2_j pin outputs the G2RTP register setting value in 1-bit units when the base timer value matches the G2POj register setting (j = 0 to 7). Table 23.13 lists specifications of RTP output mode. Figure 23.29 shows a block diagram of RTP output and Figure 23.30 shows an example of RTP output mode operation.

Table 23.13 RTP Output Mode Specifications (j = 0 to 7)

Item	Specification
Waveform output start condition	The IFEj bit in the G2FE register is 1 (enable the channel j function)
Waveform output stop condition	The IFEj bit is 0 (disable the channel j function)
Interrupt request	When the PO2jR bit in the interrupt request register becomes 1 (interrupt requested) by matching the base timer value with the G2POj register setting (0000h to FFFFh ⁽¹⁾) (refer to Figure 11.12)
OUTC2_j pin function	RTP output pin
Other functions	<ul style="list-style-type: none"> • Default value setting This function determines the starting waveform output level • Output level inversion This function inverts the waveform output level and outputs the inverted signal from the OUTC2_j pin

Note:

1. The G2PO0 register should be set to between 0001h and FFFDh to set the base timer value to 0000h (bits RST2 to RST0 are set to 010b) when the base timer value matches the G2PO0 register setting.

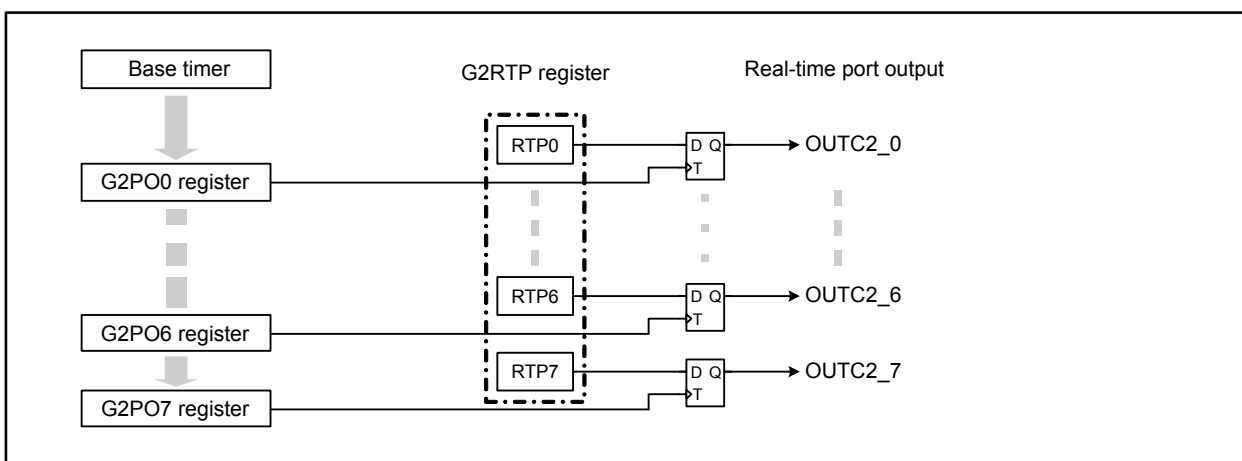


Figure 23.29 RTP Output Block Diagram

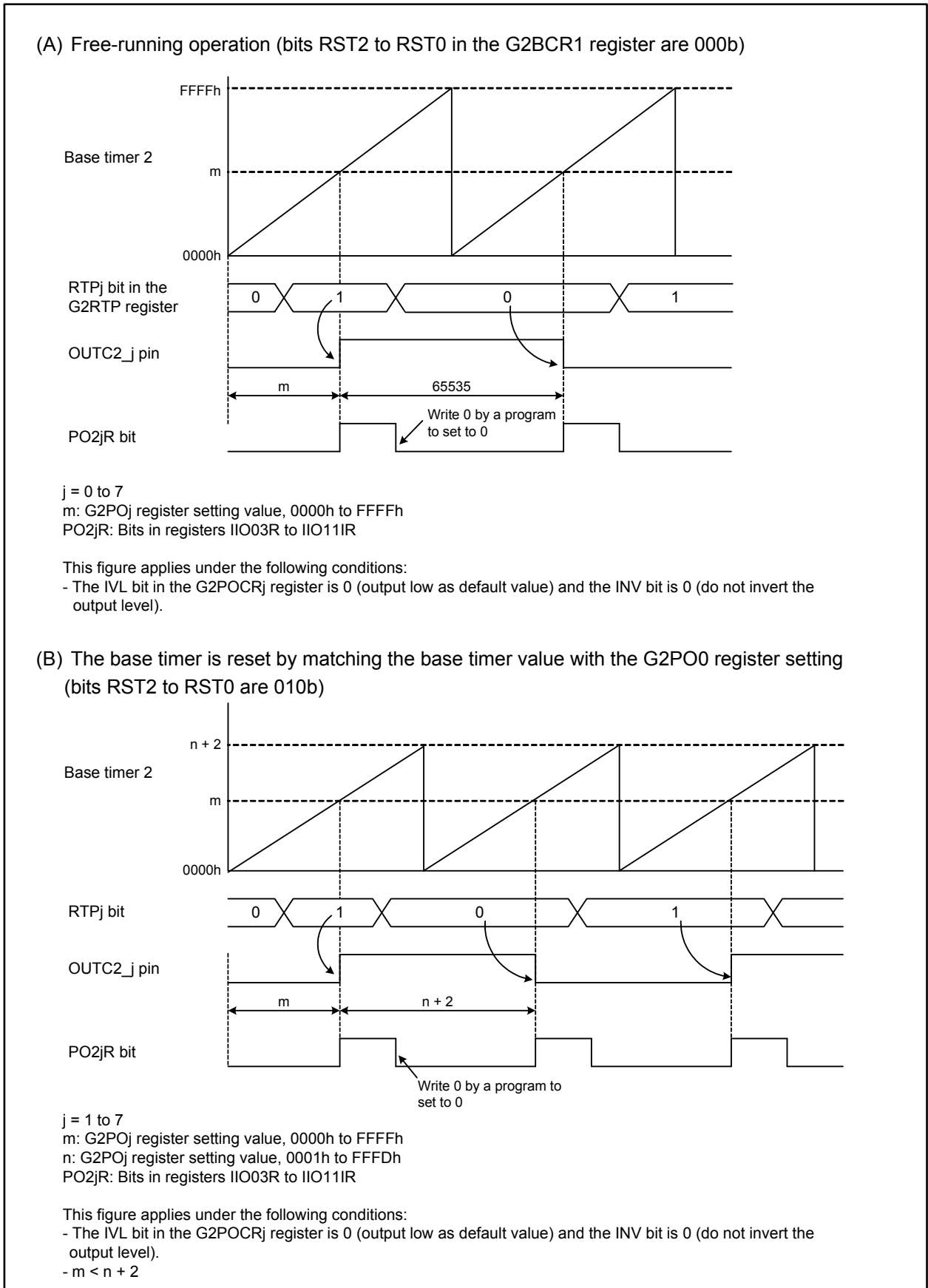


Figure 23.30 RTP Output Mode Operation

23.3.6 Parallel Real-time Port Output Mode (RTP Output Mode) for Group 2

The OUTC2_j pin outputs all the G2RTP register setting values in 1-byte units when the base timer value matches the G2POj register setting (j = 0 to 7). Table 23.14 lists specifications of parallel RTP output mode. Figure 23.7 shows the G2BCR1 register. Figure 23.31 shows a block diagram of parallel RTP output and Figure 23.32 shows an example of parallel RTP output mode operation.

Table 23.14 Parallel RTP Output Mode Specifications (j = 0 to 7)

Item	Specification
Waveform output start condition	The IFEj bit in the G2FE register is 1 (enable the channel j function)
Waveform output stop Condition	The IFEj bit is 0 (disable the channel j function)
Interrupt request	The PO2jR bit in the interrupt request register becomes 1 (interrupt requested) when the base timer value matches the G2POj register setting (0000h to FFFFh ⁽¹⁾) (refer to Figure 11.12)
OUTC2_j pin function	RTP output pin
Other functions	<ul style="list-style-type: none"> • Default value setting This function determines the starting waveform output level • Output level inversion This function inverts the waveform output level and outputs the inverted signal from the OUTC2_j pin

Note:

1. The G2PO0 register should be set to between 0001h and FFFDh to set the base timer value to 0000h (bits RST2 to RST0 are set to 010b) when the base timer value matches the G2PO0 register setting.

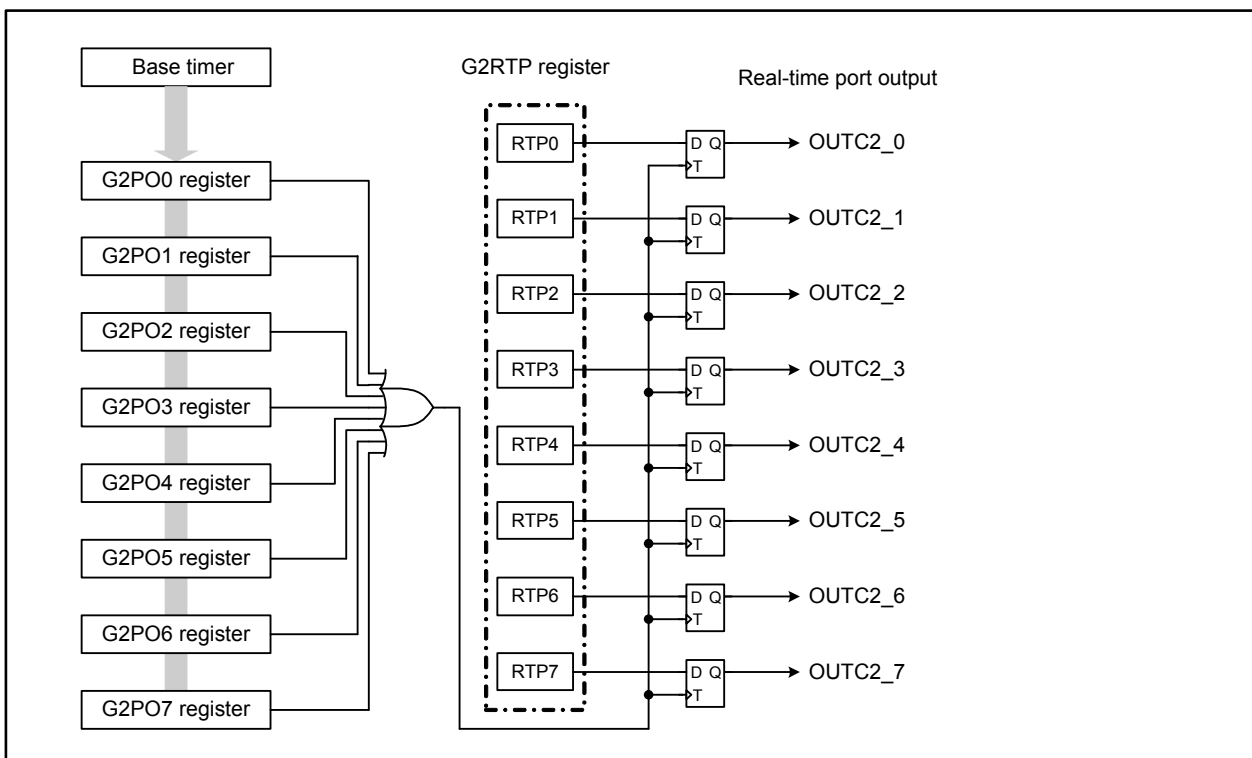


Figure 23.31 Parallel RTP Output Mode Block Diagram

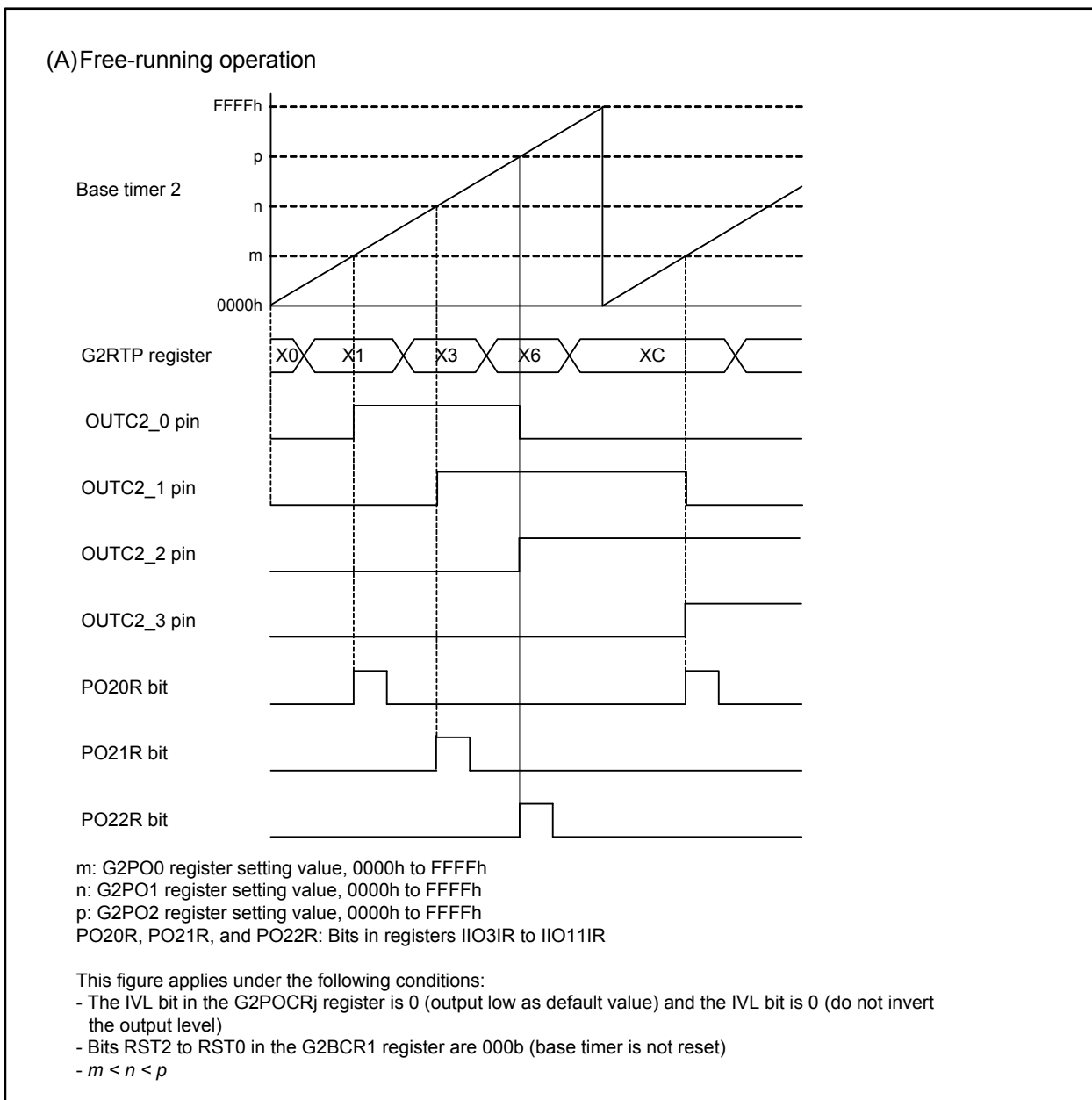


Figure 23.32 Parallel RTP Output Mode Operation

23.4 Group 2 Serial Interface

Two 8-bit shift registers and waveform generation enable the serial interface function. In group 2 of the intelligent I/O, the variable synchronous serial interface and IEBus (optional ⁽¹⁾) are available. Figures 23.33 to 23.40 show associated registers.

Note:

- Contact a Renesas Electronics sales office to use the optional features.

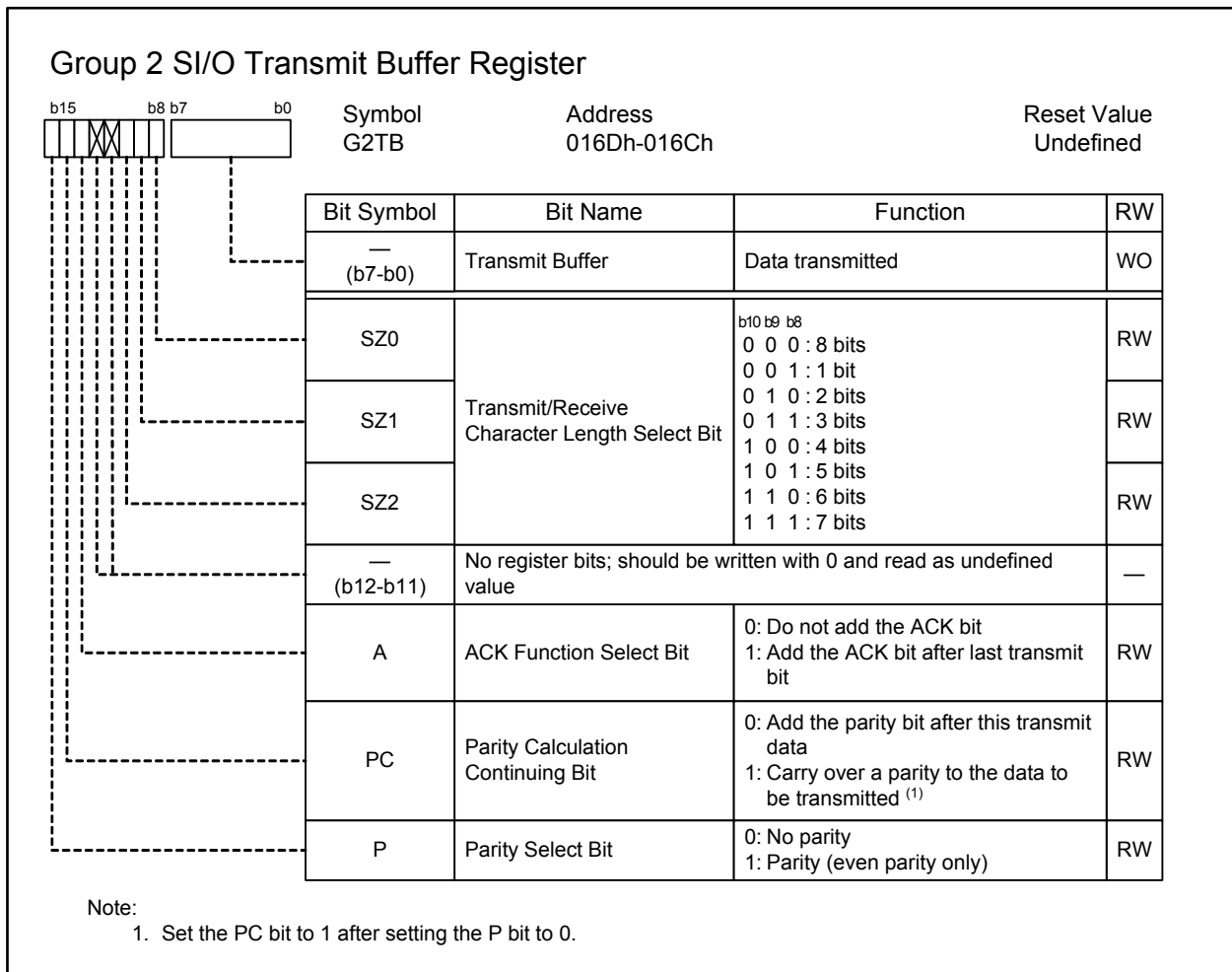


Figure 23.33 G2TB Register

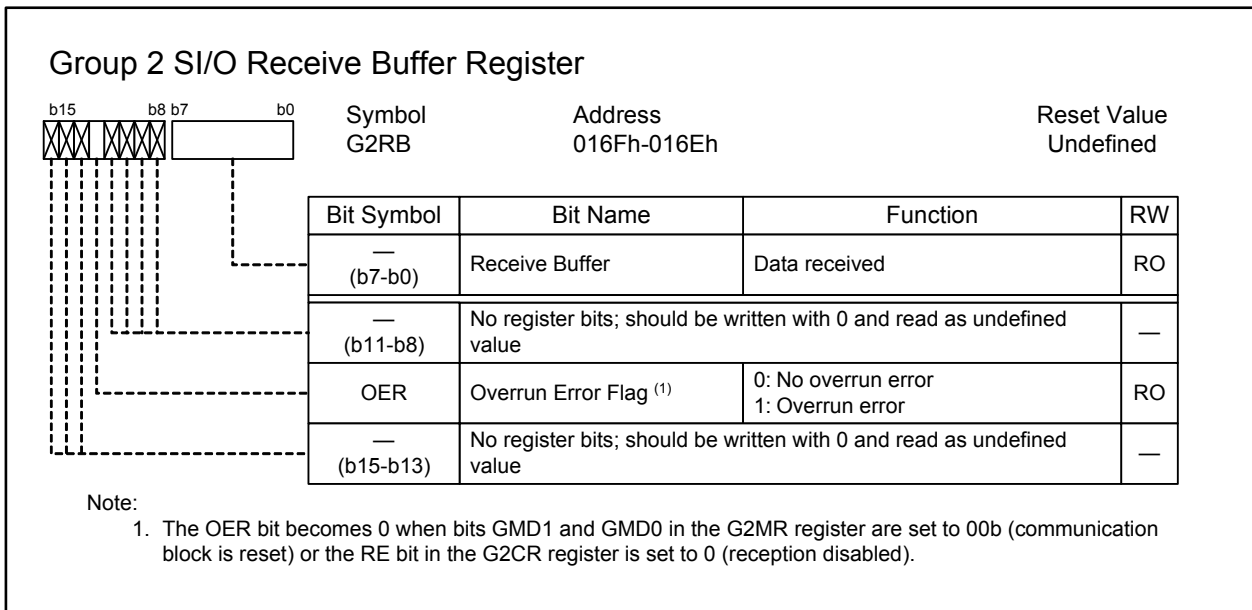


Figure 23.34 G2RB Register

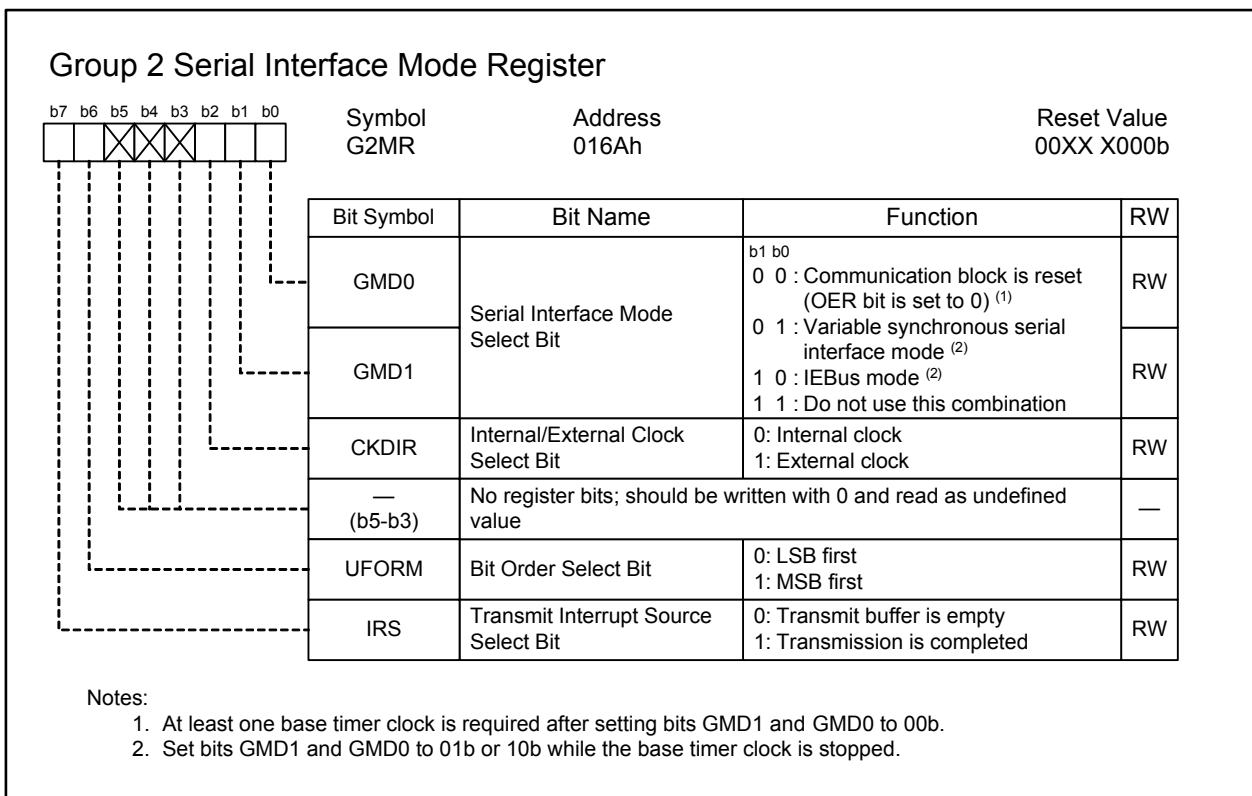


Figure 23.35 G2MR Register

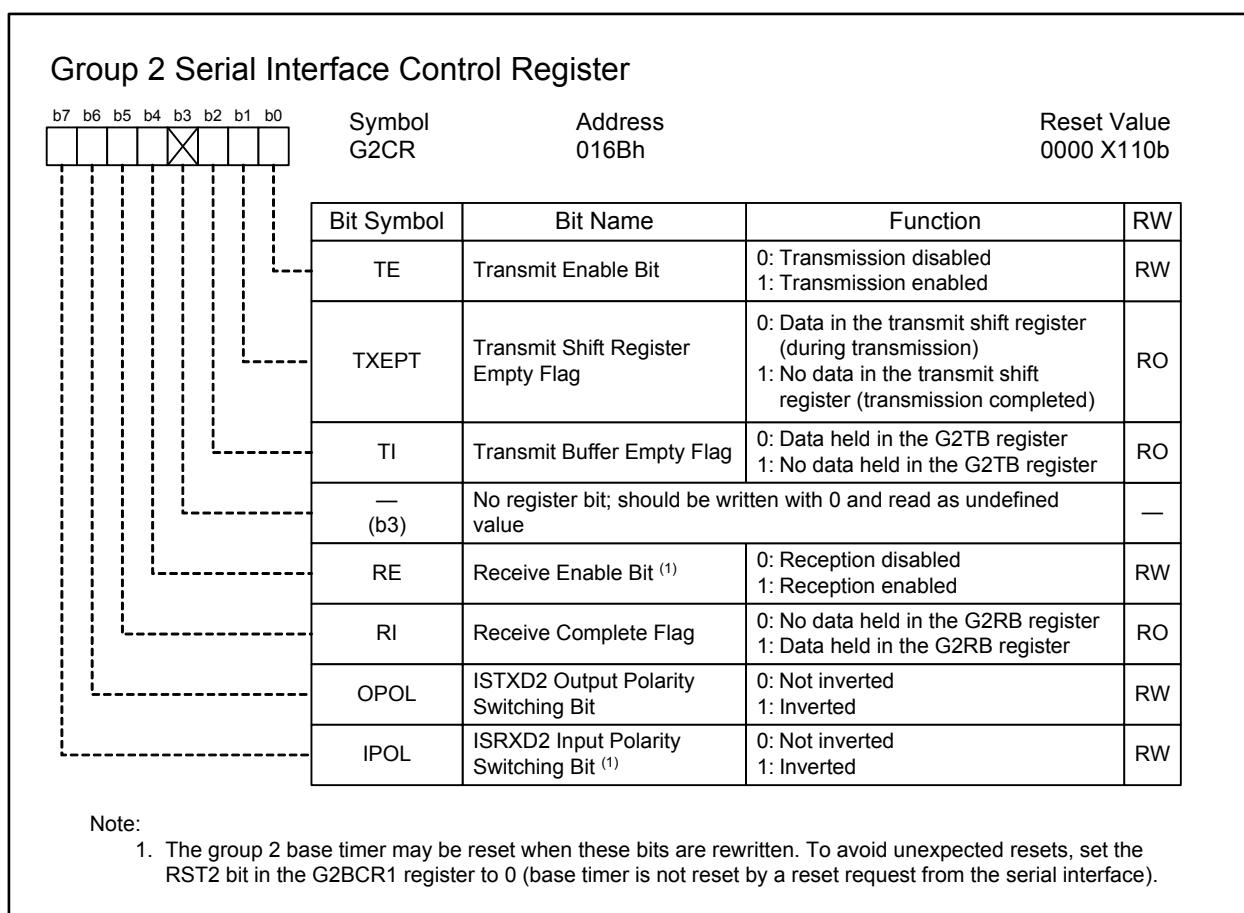


Figure 23.36 G2CR Register

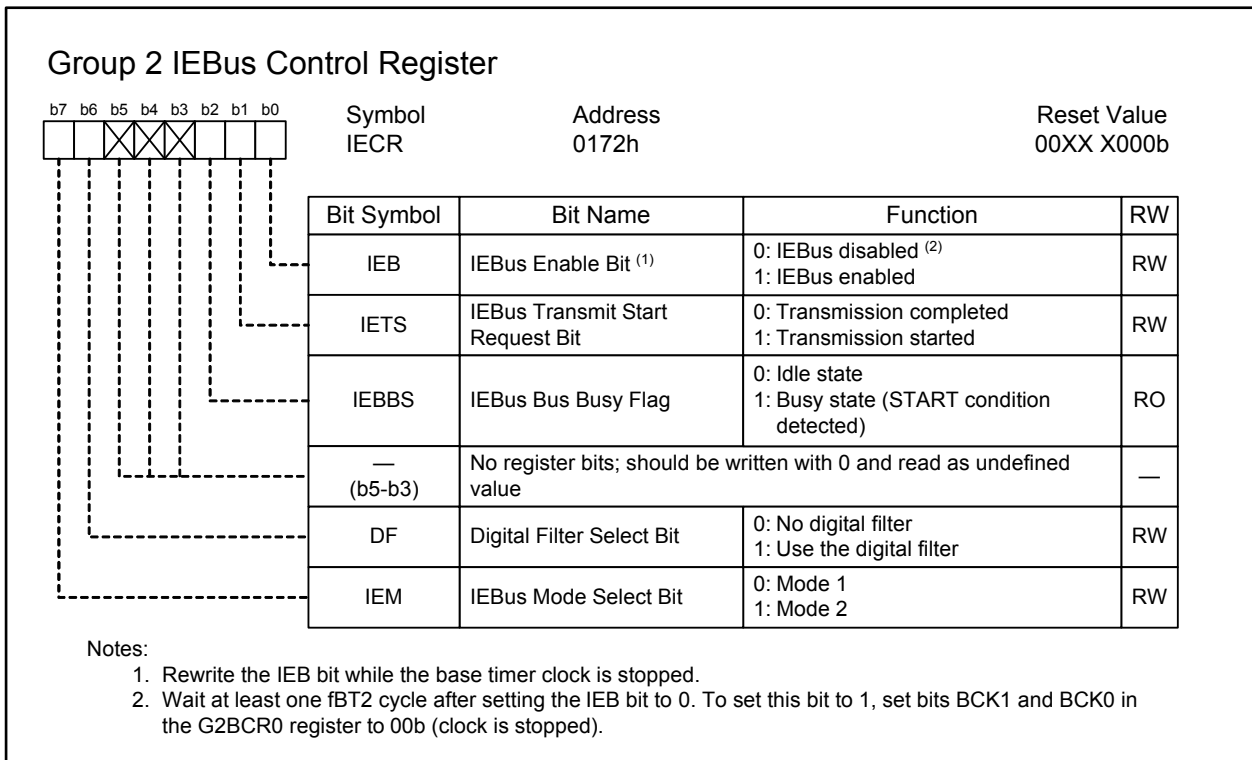


Figure 23.37 IECR Register

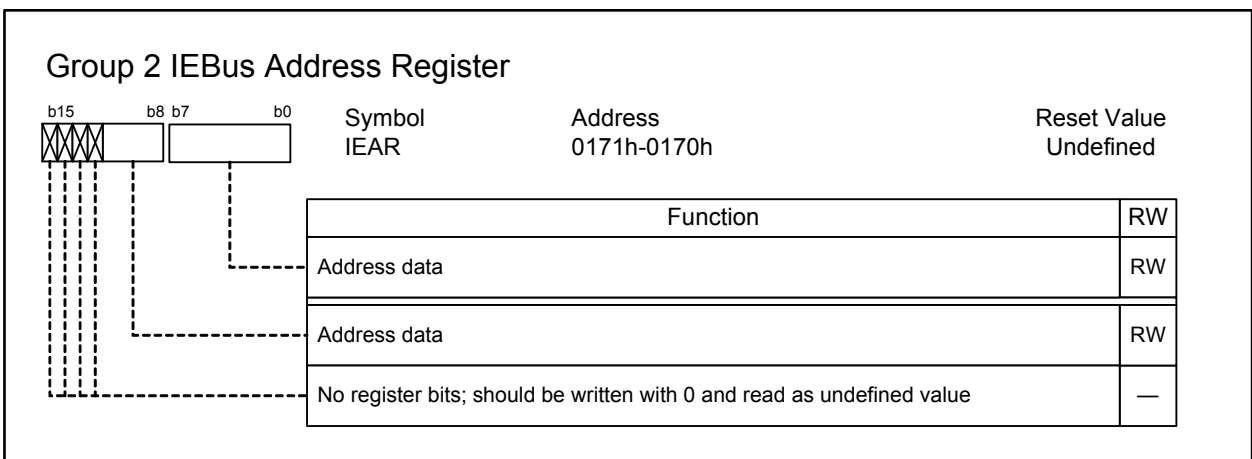


Figure 23.38 IEAR Register

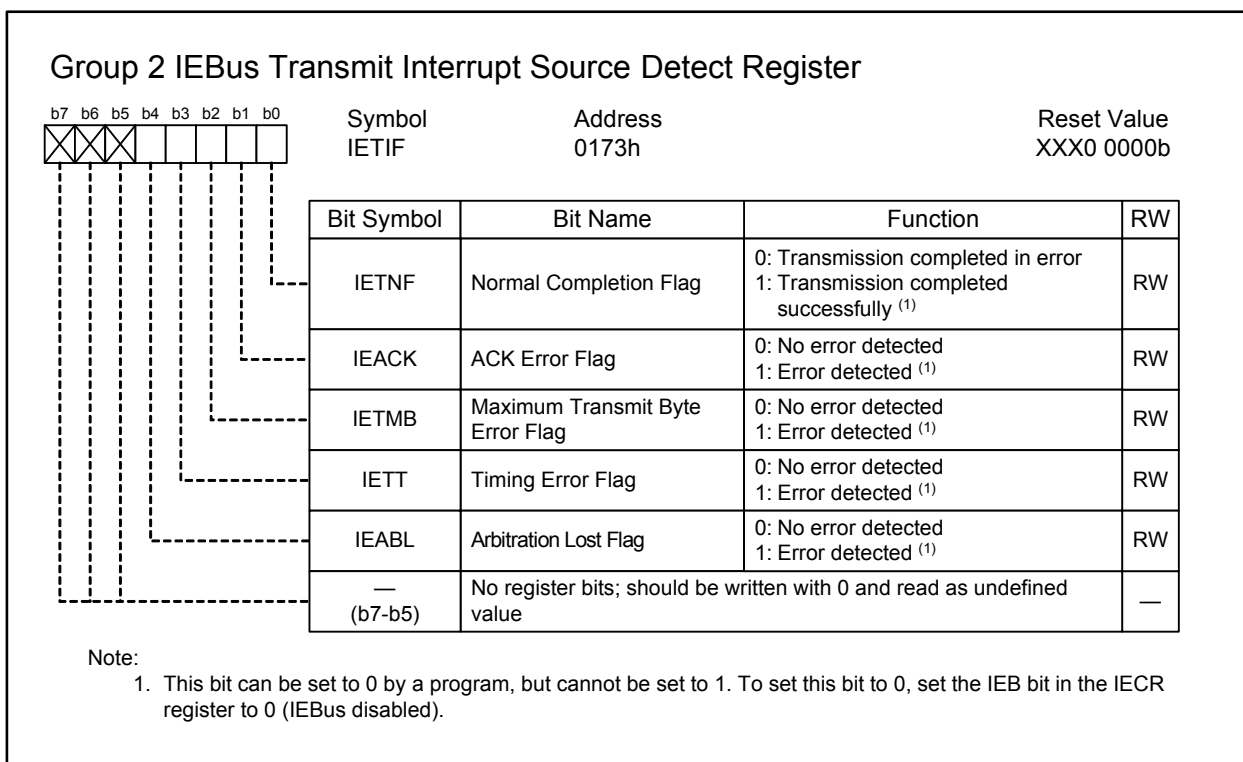


Figure 23.39 IETIF Register

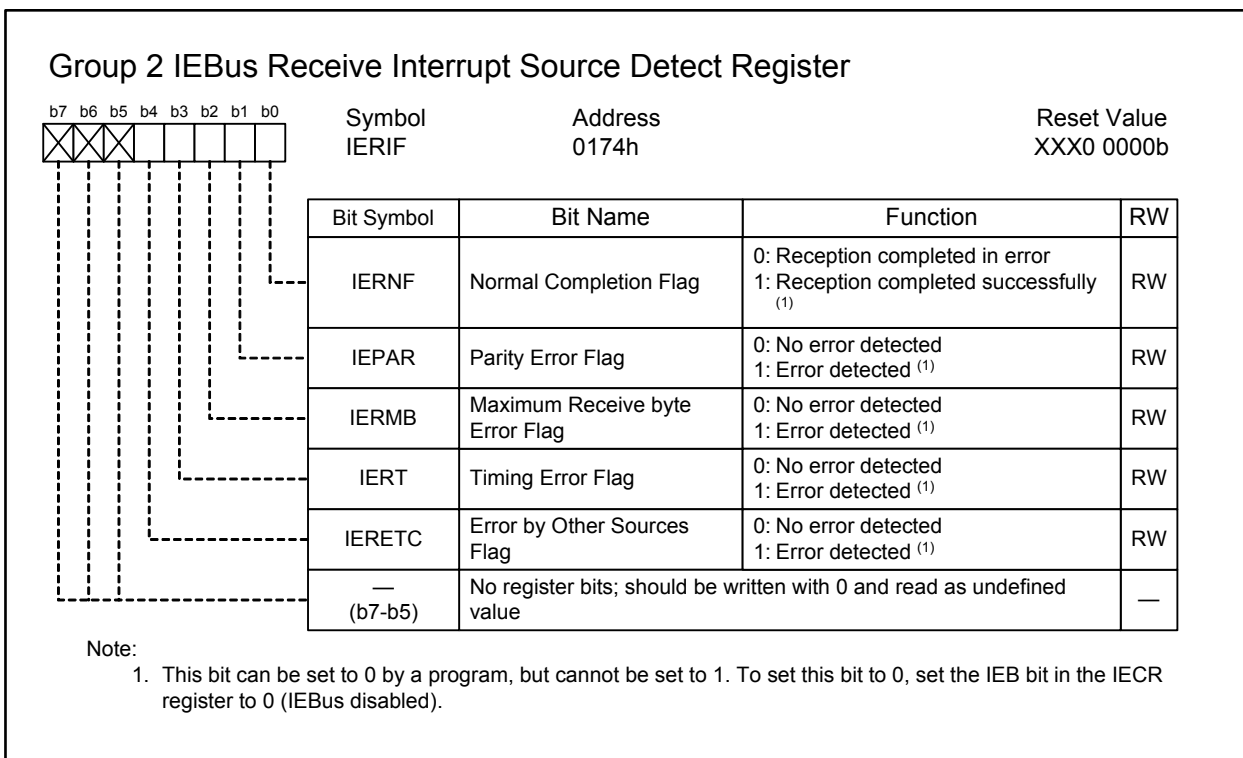


Figure 23.40 IERIF Register

23.4.1 Variable Synchronous Serial Interface Mode for Group 2

This mode allows data transmission/reception synchronized with the transmit/receive clock. The character length is selectable from 1 to 8 bits. Table 23.15 lists specifications of the group 2 variable synchronous serial interface mode and Table 23.16 lists its settings. Figure 23.41 shows an operation example of data transmission/reception.

Table 23.15 Group 2 Variable Synchronous Serial Interface Mode Specifications

Item	Specification
Data format	1- to 8-bit character length
Transmit/receive clock	<ul style="list-style-type: none"> The CKDIR bit in the G2MR register is 0 (internal clock selected): $\frac{f_{BT2}}{2(n+2)}$ <i>n</i>: G2PO0 register setting value, 0000h to FFFFh ⁽¹⁾ The bit rate is set using the G2PO0 register. The clock is generated in the inverted waveform output mode of the channel 2 waveform generation The CKDIR bit is 1 (external clock selected): input into the ISCLK2 pin ⁽²⁾
Transmit start conditions	The conditions for starting data transmission are as follows: <ul style="list-style-type: none"> The TE bit in the G2CR register is 1 (transmission enabled) The TI bit in the G2CR register is 0 (data held in the G2TB register)
Receive start conditions	The conditions for starting data reception are as follows: <ul style="list-style-type: none"> The RE bit in the G2CR register is 1 (reception enabled) The TE bit in the G2CR register is 1 (transmission enabled) The TI bit in the G2CR register is 0 (data held in the G2TB register)
Interrupt request	In transmit interrupt, either of the following conditions is selected to set the SIO2TR bit in the IIO6IR register to 1 (interrupt requested) (refer to Figure 11.12): <ul style="list-style-type: none"> The IRS bit in the G2MR register is 0 (transmit buffer in the G2TB register is empty): when data is transferred from the G2TB register to the transmit shift register (when the transmission has started) The IRS bit is 1 (transmission is completed): when data transmission from the transmit shift register is completed In receive interrupt, When data is transferred from the receive shift register to the G2RB register (when the reception is completed), the SIO2PR bit in the IIO5IR register is set to 1 (interrupt requested) (refer to Figure 11.12)
Error detection	Overrun error ⁽³⁾ This error occurs when the last bit of the next data has been received before reading the G2RB register
Other functions	<ul style="list-style-type: none"> Bit order selection LSB first or MSB first ISTXD2 and ISRXD2 I/O polarity Output levels from the ISTXD2 pin and input levels to the ISRXD2 pin can be inverted Character length for data transmission/reception 1- to 8-bit character length

Notes:

- When using the serial interface, set a value greater than or equal to 1 to the G2PO0 register.
- The highest transmit/receive clock frequency should be f_{BT2} divided by 20.
- If an overrun error occurs, the G2RB register is undefined.

Table 23.16 Register Settings in Group 2 Variable Synchronous Serial Interface Mode

Register	Bits	Function
G2BCR0	BCK1 and BCK0	Set the bits to 11b
	DIV4 to DIV0	Select a divide ratio of count source
	IT	Set the bit to 0
G2BCR1	7 to 0	Set the bits to 0001 0010b
G2POCR0	7 to 0	Set the bits to 0000 0111b
G2POCR1	7 to 0	Set the bits to 0000 0111b
G2POCR2	7 to 0	Set the bits to 0000 0010b
G2PO0	15 to 0	Set a comparative value for waveform generation $\frac{f_{BT2}}{2 \times (\text{setting value} + 2)} = \text{transmit/receive clock frequency}$
G2PO2	15 to 0	Set to a value smaller than that in the G2PO0 register setting
G2FE	IFE2 to IFE0	Set the bits to 111b
G2MR	GMD1 and GMD0	Set the bits to 01b
	CKDIR	Select either the internal clock or the external clock
	UFORM	Select either LSB first or MSB first
	IRS	Select a source for transmit interrupt
G2CR	TE	Set the bit to 1 to enable data transmission/reception
	TXEPT	Transmit shift register empty flag
	TI	Transmit buffer empty flag
	RE	Set the bit to 1 to enable data reception
	RI	Receive complete flag
	OPOL	Select if the output level at the ISTXD2 pin is inverted (usually set the bit to 0)
	IPOL	Select if the input level at the ISRXD2 pin is inverted (usually set the bit to 0)
G2TB	15 to 0	Set the data to be transmitted/received and its character length
G2RB	15 to 0	Store received data and error flag

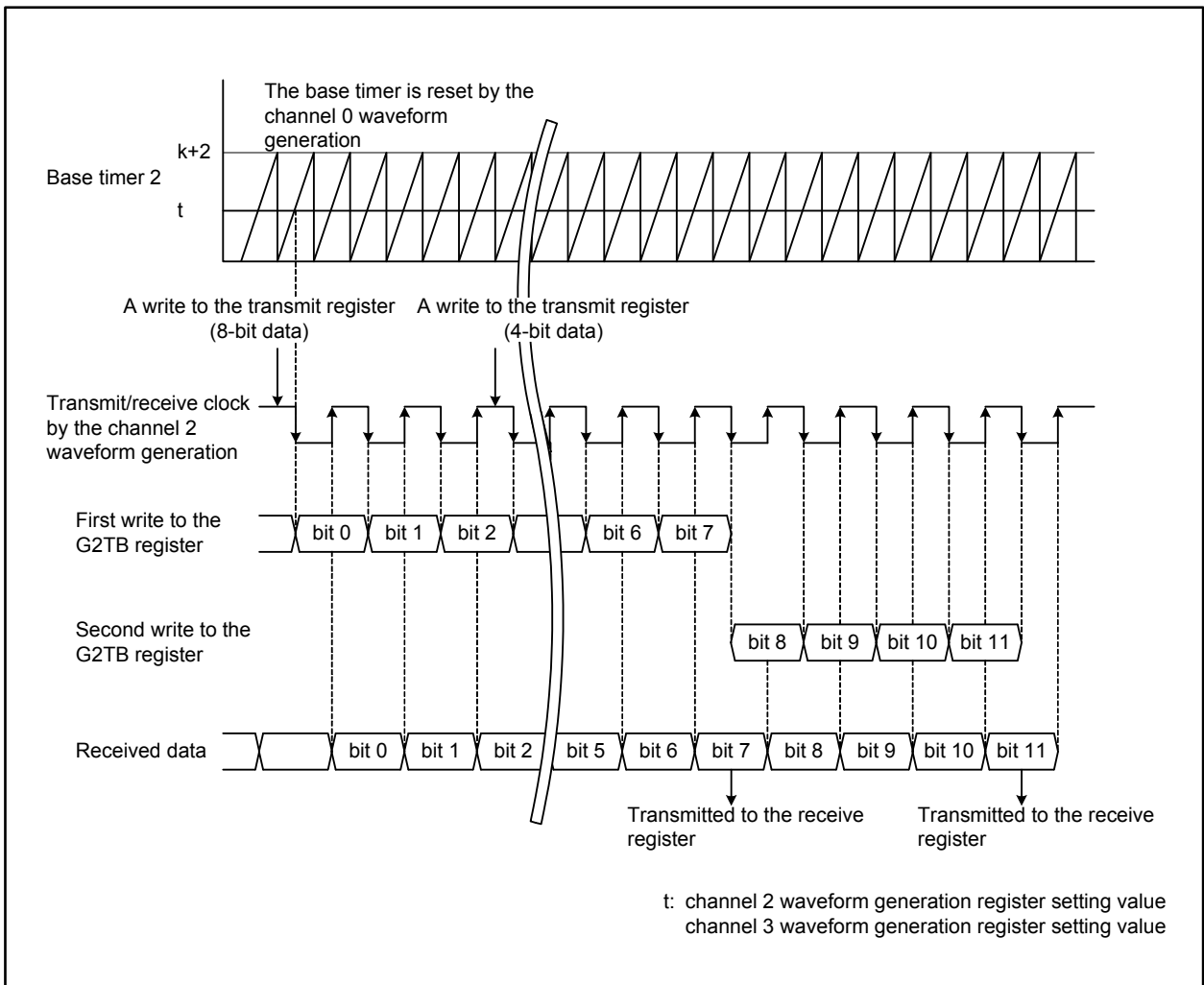


Figure 23.41 Group 2 Variable Synchronous Serial Interface Mode Transmit/Receive Operation

24. Multi-master I²C-bus Interface

The multi-master I²C-bus interface (MMI²C) is capable of serial, bi-directional data transfer in the I²C-bus data transmit and receive format. It contains an arbitration lost detector and a clock synchronization function. Table 24.1 lists specifications of the multi-master I²C-bus interface. Table 24.2 lists detectors of the multi-master I²C-bus interface. Figure 24.1 shows a block diagram of the multi-master I²C-bus interface.

Table 24.1 Multi-master I²C-bus Interface Specifications

Item	Specification
Data format	Compliant with the I ² C-bus specification <ul style="list-style-type: none"> • 7-bit addressing format • Fast-mode • Standard-mode
Master/Slave device	Selectable
I/O pins	Serial data line: MSDA (SDA) Serial clock line: MSCL (SCL)
Transmit/Receive clock	16.1 to 400 kbps (ϕ IIC = 4 MHz) ϕ IIC: I ² C-bus system clock
Transmit/Receive modes	Compliant with the I ² C-bus specification <ul style="list-style-type: none"> • Master-transmit mode • Master-receive mode • Slave-transmit mode • Slave-receive mode
Interrupt request sources	<ul style="list-style-type: none"> • Six I²C-bus interface interrupts: Successful transmit, successful receive, slave address match detection, general call address detection, STOP condition detection, and timeout detection • Two I²C-bus line interrupts: Rising or falling edge of pins MSDA and MSCL
Other functions	<ul style="list-style-type: none"> • Timeout detector This function detects that the MSCL pin level is held high for longer than the specified time while the bus is busy • Free data format selector This function selects the free data format to generate an interrupt request, regardless of the slave address value, when the first byte is received

Table 24.2 Detectors of Multi-master I²C-bus Interface

Item	Specification
Slave address match detector	In slave-receive mode, this detects whether the address sent from the master device matches the slave address. When they match, an ACK is automatically sent. When they do not, a NACK is automatically sent and communication is stopped
General call address detector	This detects a general call address when in slave-receive mode
Arbitration lost detector	This detects an arbitration lost and stops MSDA output immediately when detected
Bus busy detector	This detects that the bus is busy, and sets/resets the BBSY bit

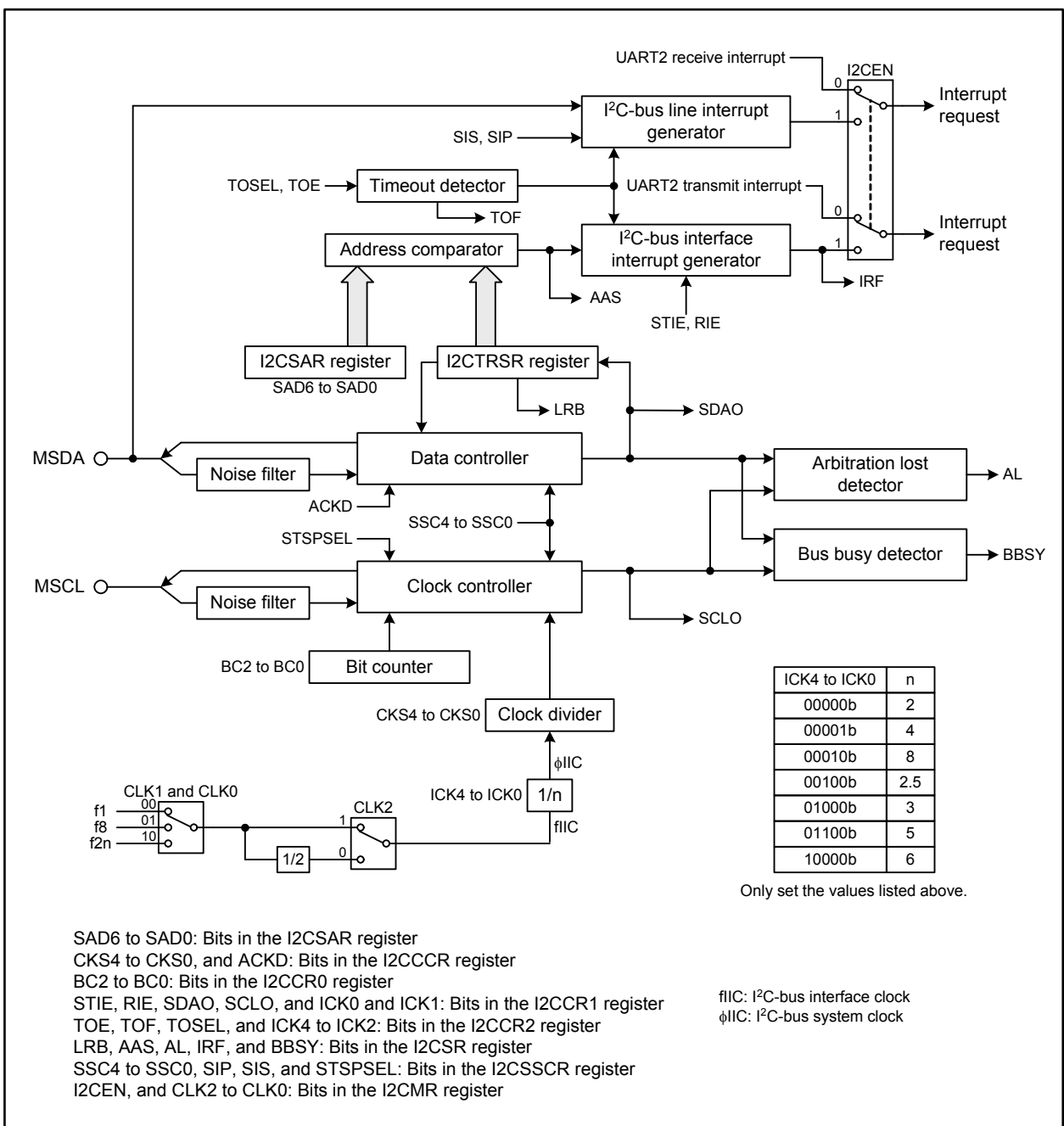


Figure 24.1 Multi-master I²C-bus Interface Block Diagram

24.1 Multi-master I²C-bus Interface-associated Registers

24.1.1 I²C-bus Transmit/Receive Shift Register (I2CTRSR)

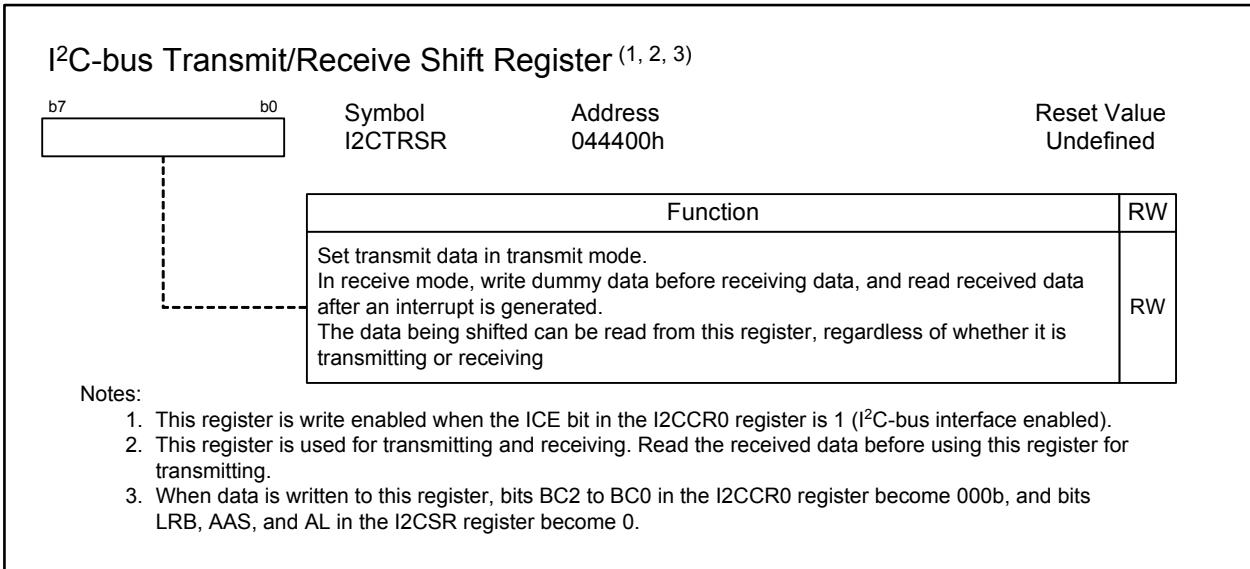


Figure 24.2 I2CTRSR Register

The I2CTRSR register is an 8-bit shift register where received data is stored and transmit data is written. When transmit data is written to this register, the data is synchronized with the SCL clock and shifted out in descending order from bit 7. Every time a bit is shifted out, the data is shifted to the left by 1 bit. During a receive operation, the data is synchronized with the SCL clock and stored in order starting from bit 0. 1 bit of data is shifted (to the left) for every bit that is input. Figure 24.3 shows the timing when the received data is stored to the I2CTRSR register.

The I2CTRSR register is write enabled when the ICE bit in the I2CCR0 register is 1 (I²C-bus interface enabled). When the ICE bit is 1 and the MST bit in the I2CSR register is 1 (master mode), writing data to the I2CTRSR register resets the bit counter and the SCL clock is output.

Write to the I2CTRSR register when a START condition is generated or the MSCL pin is low. The register can always be read.

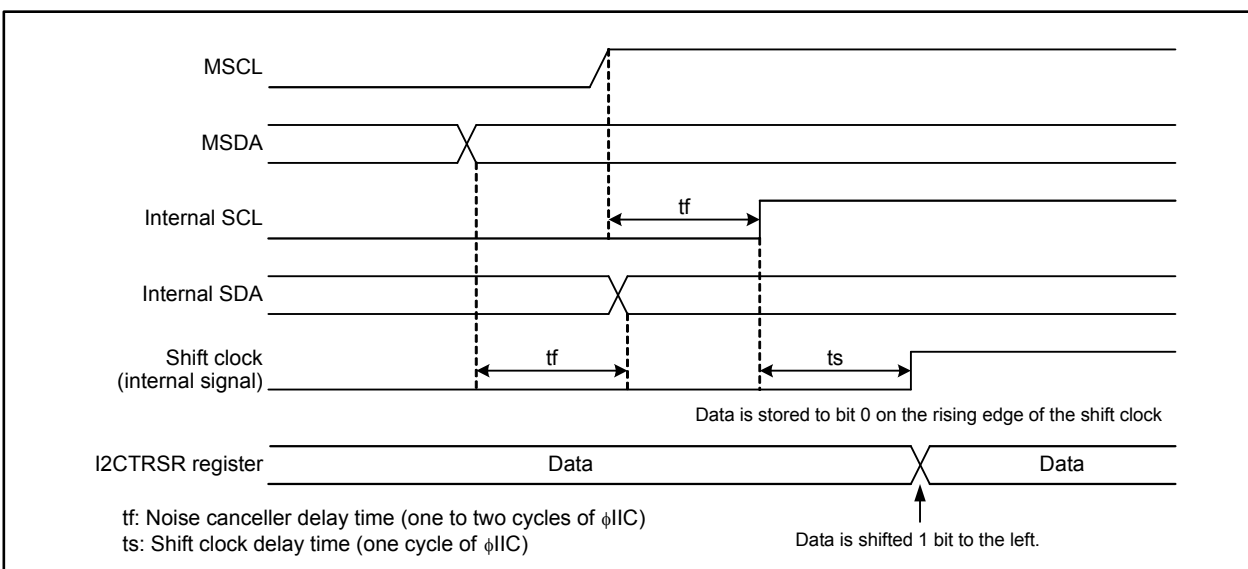


Figure 24.3 Received Data Storing Timing to the I2CTRSR Register

24.1.2 I²C-bus Slave Address Register (I2CSAR)

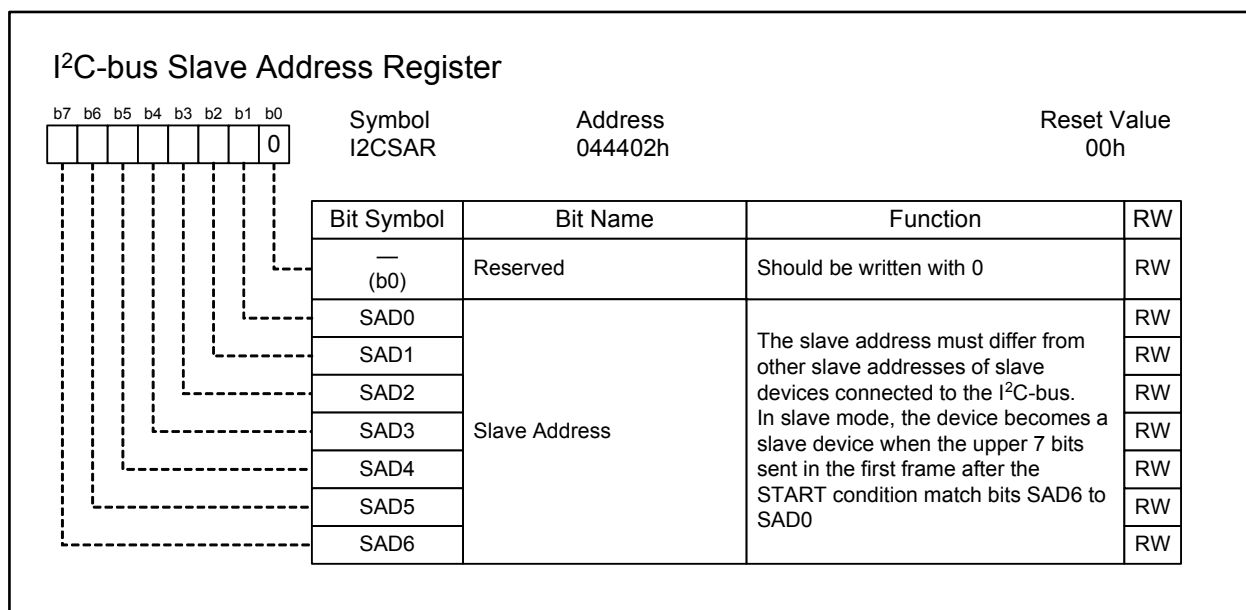


Figure 24.4 I2CSAR Register

The I2CSAR register stores a slave address to automatically recognize itself as a slave device. When the received address matches the slave address, the device operates as a slave device.

24.1.2.1 Bits SAD6 to SAD0

Bits SAD6 to SAD0 store a slave address. When the addressing format is enabled, the received 7-bit address and the slave address set in bits SAD6 to SAD0 are compared. When a match is detected, the device operates as a slave device.

24.1.3 I²C-bus Control Register 0 (I2CCR0)

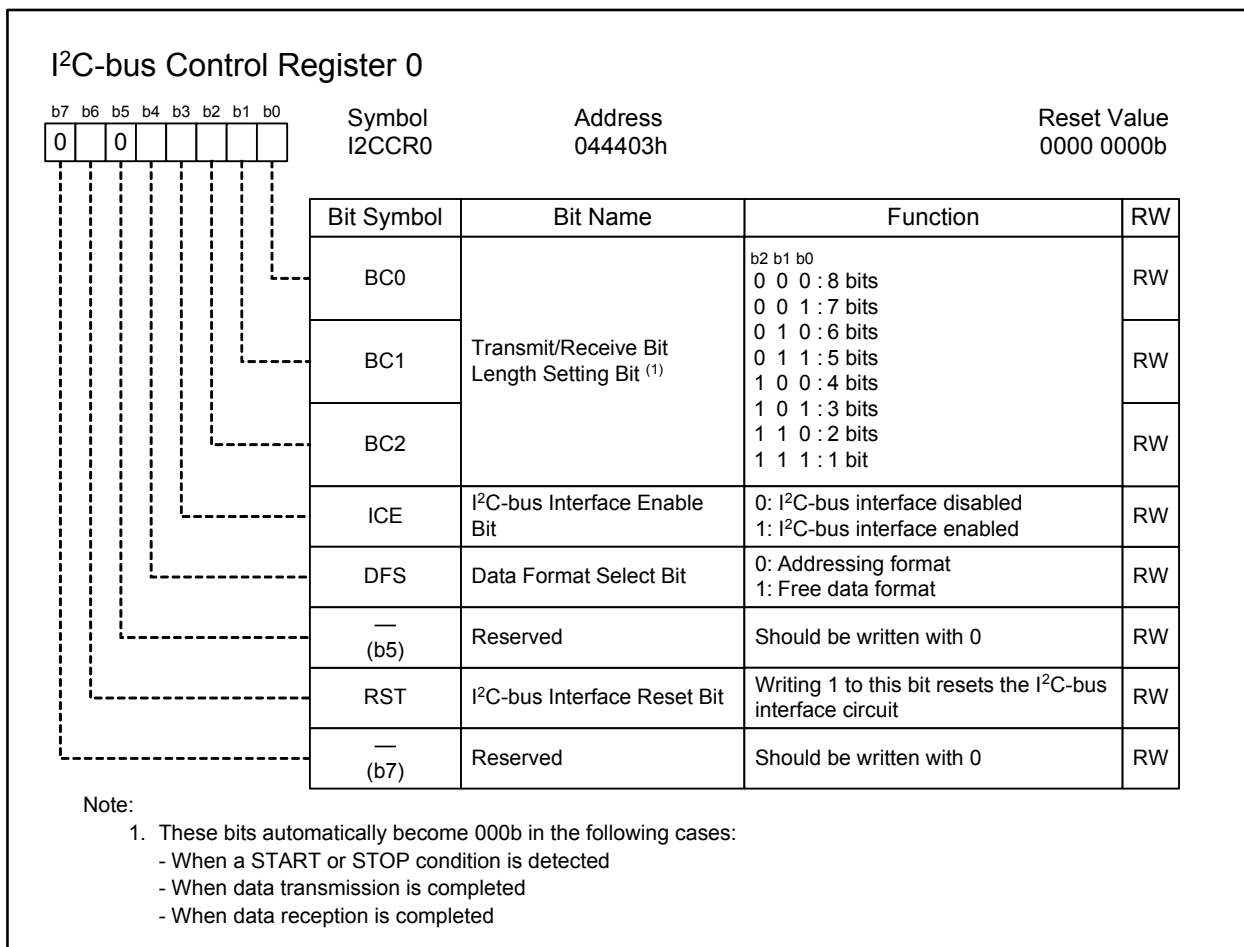


Figure 24.5 I2CCR0 Register

The I2CCR0 register controls data communication format.

24.1.3.1 Bits BC2 to BC0

Bits BC2 to BC0 set the data bit length to be transmitted or received next. When data transmission or reception is completed for the data length (acknowledge clock pulse is included in the number when the ACKCLK bit in the I2CCCR register is 1) specified with bits BC2 to BC0, an I²C-bus interface interrupt request is generated. Consequently, bits BC2 to BC0 become 000b. Note that these bits also become 000b when a START condition is detected. Address data is transmitted or received in 8 bits regardless of their settings.

24.1.3.2 ICE Bit

The ICE bit enables the I²C-bus interface. Set this bit to 1 to enable the I²C-bus interface and 0 to disable it. When this bit is 0, pins MSDA and MSCL are fixed high (these pins are high-impedance when the corresponding NOD bits in registers P7_0S and P7_1S are 1), therefore the I²C-bus interface cannot be used.

When the ICE bit is set to 0, the following occurs:

- Bits ADZ, AAS, AL, BBSY, TRS, and MST in the I2CSR register become 0, and the IRF bit becomes 1.
- Writing to the I2CTRSR register is disabled.
- The I²C-bus system clock (ϕ IIC) is stopped, and the internal counter and flags are reset.
- The TOF bit in the I2CCR2 register becomes 0 (timeout not detected).

24.1.3.3 DFS Bit

The DFS bit enables the automatic recognition of a slave address. When the DFS bit is set to 0, the addressing format is selected and the slave address is automatically recognized. In this setting, data is received only when a general call address is received or a slave address match is detected. When the DFS bit is set to 1, the free data format is selected. In this setting, the slave address is not recognized, so all data are received.

24.1.3.4 RST Bit

The RST bit resets the I²C-bus interface when a communication error occurs. When the ICE bit is set to 1 (I²C-bus interface enabled), writing 1 (reset) to the RST bit has the following effects on the I²C-bus interface:

- Bits ADZ, AAS, AL, BBSY, TRS, and MST in the I2CSR register become 0, and the IRF bit becomes 1.
- The TOF bit in the I2CCR2 register becomes 0 (timeout not detected).
- The internal counter and flags are reset.

When the RST bit is written with 1, the multi-master I²C-bus interface is reset within a maximum of 2.5 ϕ IIC cycles. Consequently, the RST bit automatically becomes 0.

Figure 24.6 shows the timing when the I²C-bus interface is reset.

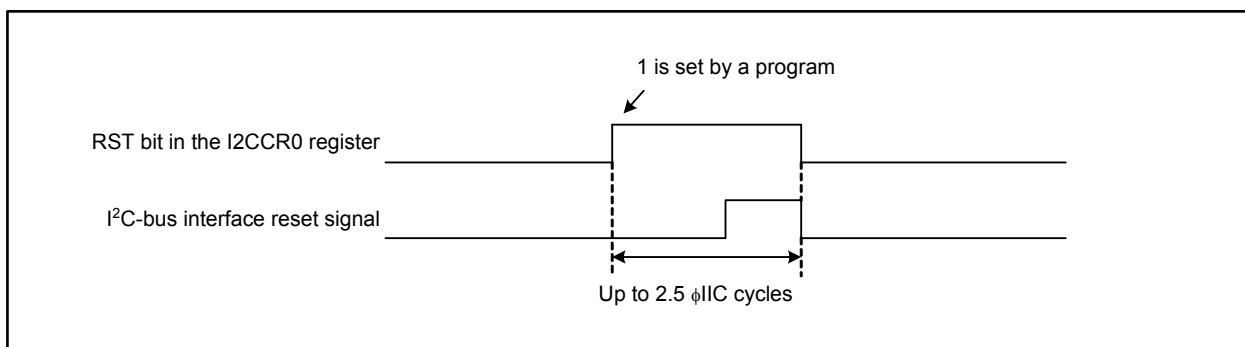


Figure 24.6 I²C-bus Interface Reset Timing

24.1.4 I²C-bus Clock Control Register (I2CCCR)

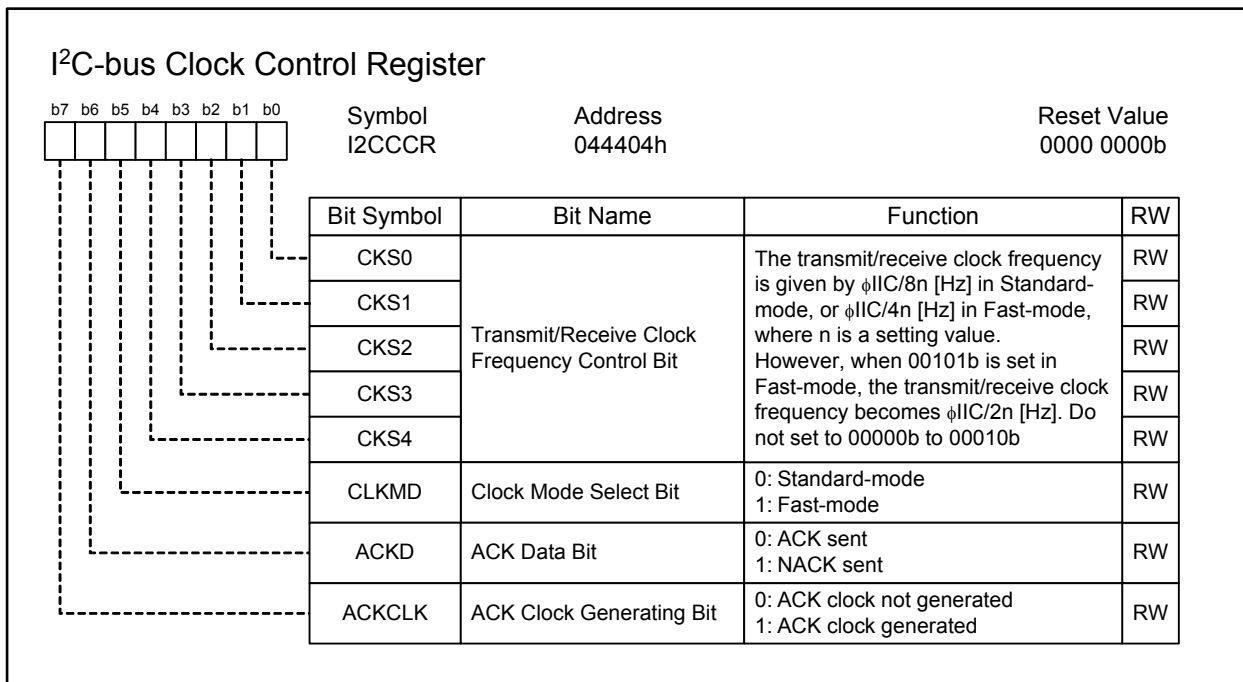


Figure 24.7 I2CCCR Register

The I2CCCR register controls ACK and sets SCL mode and SCL clock frequency. While data is being transmitted or received, only rewrite the ACKD bit.

24.1.4.1 Bits CKS4 to CKS0

Bits CKS4 to CKS0 set the SCL clock frequency. The SCL clock frequency varies as shown in Table 24.3, where n is a setting value of bits CKS4 to CKS0 ($n = 3$ to 31). Do not rewrite these bits while data is being transmitted or received.

Table 24.3 I2CCCR Register Setting Values and SCL Frequencies

Bits CKS4 to CKS0 Setting Value (n)	SCL Frequency (When $\phi IIC = 4$ MHz) ⁽¹⁾	
	Standard-mode	Fast-mode
0 to 2	Do not set ⁽²⁾	Do not set ⁽²⁾
3	Do not set ⁽³⁾	333 kHz ($\phi IIC/4n$)
4	Do not set ⁽³⁾	250 kHz ($\phi IIC/4n$)
5	100 kHz ($\phi IIC/8n$)	400 kHz ($\phi IIC/2n$) ⁽⁴⁾
6 to 31	83 to 16 kHz ($\phi IIC/8n$)	166 to 32 kHz ($\phi IIC/4n$)

Notes:

1. The CKS value must be set so the SCL clock frequency is 100 kHz or less in Standard-mode or 400 kHz or less in Fast-mode. The high period of the SCL clock has a margin of error of +2 to -4 ϕIIC in Standard-mode, and +2 to -2 ϕIIC in Fast-mode. Note that if the high period is shortened, the low period is lengthened, so the frequency remains unchanged.
2. Do not set the CKS value to 0 to 2 regardless of the ϕIIC frequency.
3. When ϕIIC is 4 MHz or higher, do not set the CKS value to 3 or 4. The SCL clock frequency will extend beyond the specified range.
4. The normal duty cycle of the SCL clock is 50%. When the CKS value is 5 in Fast-mode, it varies from 35% to 45%.

24.1.4.2 CLKMD Bit

Set the CLKMD bit to select the SCL mode. Set this bit to 0 to select Standard-mode and 1 for Fast-mode. To use the device under the Fast-mode I²C-bus specification (up to 400 kbit/s), set ϕ_{IIC} to be 4 MHz or higher.

24.1.4.3 ACKD Bit

Set the ACKD bit to select the state of the MSDA pin with the ACK clock. When the ACKD bit is set to 0, the MSDA pin becomes low (acknowledged) by an ACK. When the ACKD bit is 1, the MSDA pin is held high with the ACK clock.

Table 24.4 lists the MSDA pin state with the ACK clock.

Table 24.4 MSDA Pin States with the ACK Clock

Received Content	DFS Bit	ACKD Bit	Slave Address	MSDA Pin State
Slave address	0	0	Match	Low (ACK)
			No match	High (NACK)
	1	0	—	High (NACK)
			1	—
Data	—	0		—
		1	—	High (NACK)

24.1.4.4 ACKCLK Bit

Set the ACKCLK bit to select whether or not to generate an ACK handshake. When this bit is 1 (ACK clock generated), an ACK clock pulse is generated after 1 byte of data is transmitted or received. When this bit is 0 (ACK clock not generated), the ACK clock is not generated after 1 byte of data is transmitted or received. In this case, the IR bit in the I2CIC register becomes 1 (I²C-bus interface interrupt requested) on the last falling edge of the clock for data transmission or reception.

24.1.5 I²C-bus START and STOP Conditions Control Register (I2CSSCR)

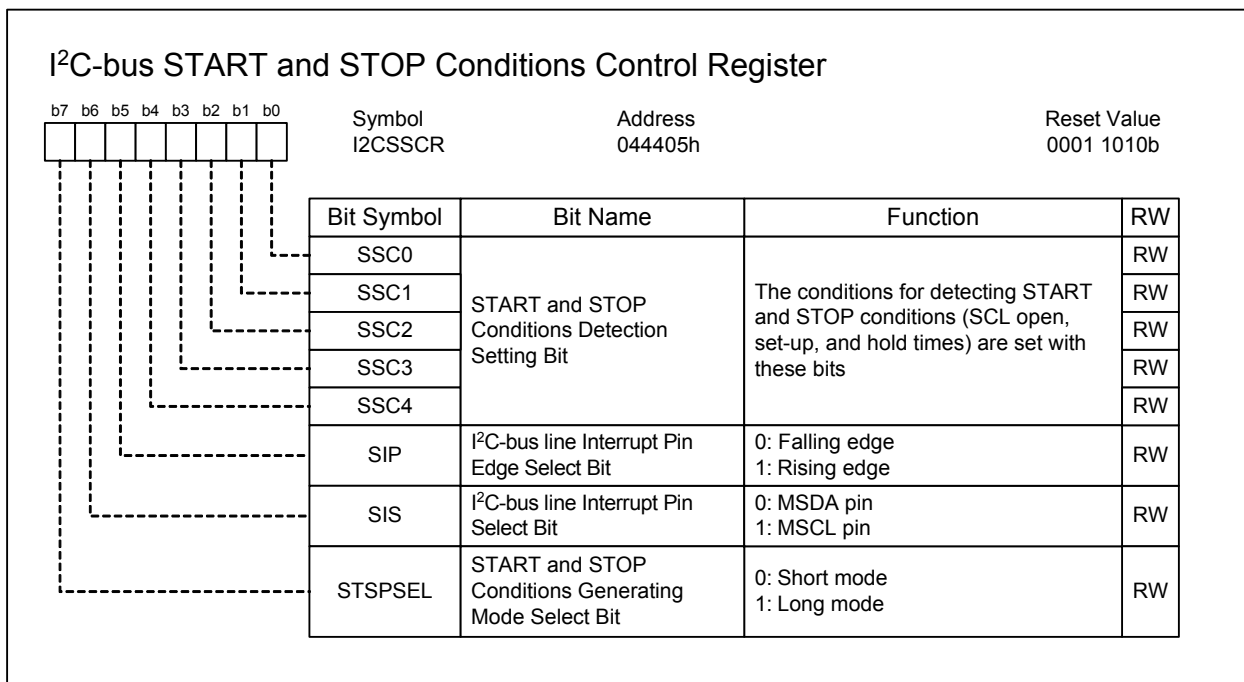


Figure 24.8 I2CSSCR Register

The I2CSSCR register controls the detection and generation of START and STOP conditions.

24.1.5.1 Bits SSC4 to SSC0

Bits SSC4 to SSC0 select the parameters for detecting the START and STOP conditions by setting the high period of SCL pin, set-up, and hold times. This parameter is set by referencing the I²C-bus system clock (ϕ IIC). Therefore, it changes according to the XIN frequency and the setting of the I²C-bus system clock select bits (i.e. bits ICK4 to ICK0 in registers I2CCR2 and I2CCR1). Do not set an odd number or 00000b to bits SSC4 to SSC0. Detection of START and STOP conditions starts immediately after setting the ICE bit in the I2CCR0 register to 1 (I²C-bus interface enabled). Table 24.11 lists the recommended values for bits SSC4 to SSC0.

24.1.5.2 SIP Bit

Set the SIP bit to select which of the edges of MSCL or MSDA pin generates the I²C-bus line interrupt. Set this bit to 0 to select the falling edge, and 1 to select the rising edge.

24.1.5.3 SIS Bit

Set the SIS bit to select the input signal to be used as an I²C-bus line interrupt source. To select the MSDA pin as an I²C-bus line interrupt source, set this bit to 0. To select the MSCL pin, set this bit to 1.

24.1.5.4 STSPSEL Bit

Set the STSPSEL bit to select the set-up and hold times when START and STOP conditions are generated. Set this bit to 0 to select short mode and 1 to select long mode. The STSPSEL bit must be set to 1 (long mode) when the ϕ IIC frequency is higher than 4 MHz. Figure 24.16 shows the START condition generation timing. Table 24.9 lists the set-up and hold times when START and STOP conditions are generated.

24.1.6 I²C-bus Control Register 1 (I2CCR1)

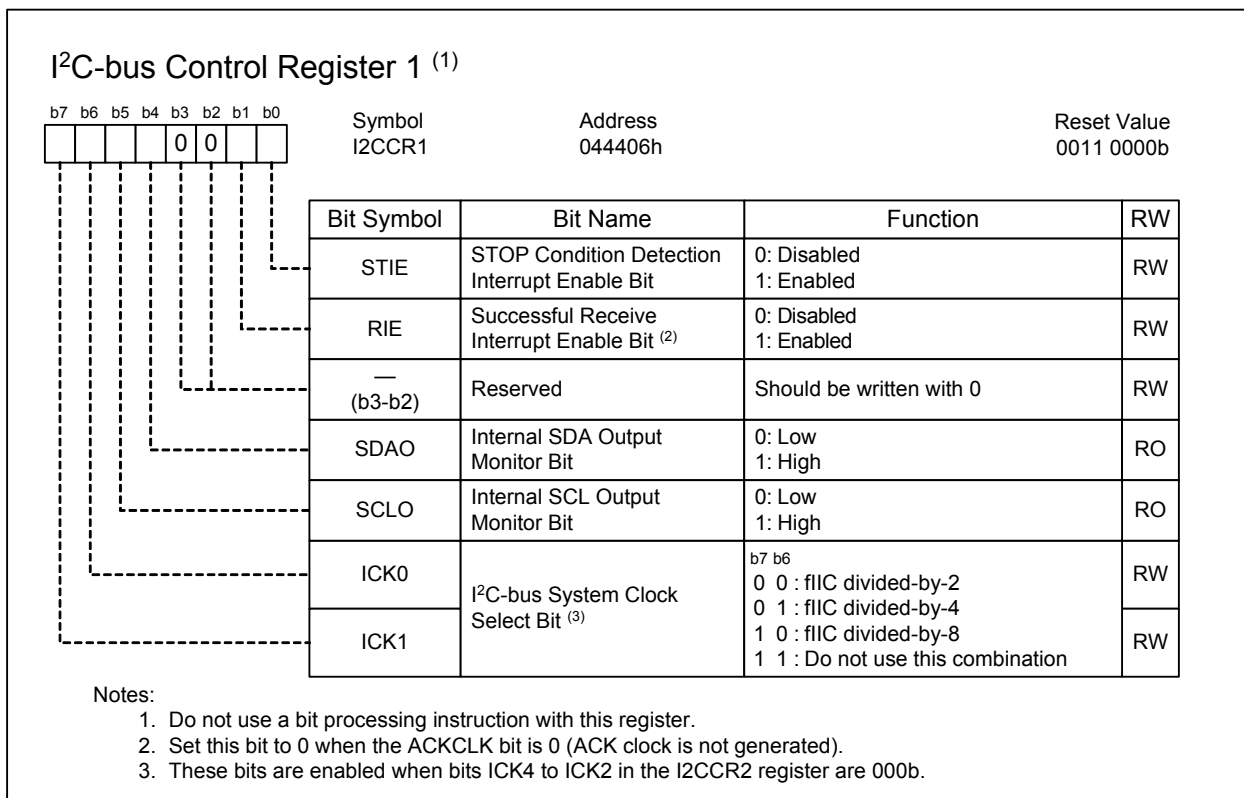


Figure 24.9 I2CCR1 Register

The I2CCR1 register controls the I²C-bus interface.

24.1.6.1 STIE Bit

Set the STIE bit to enable an interrupt when detecting a STOP condition. When this bit is set to 1, the I²C-bus interface interrupt is generated when detecting a STOP condition. Consequently, the STOP bit in the I2CCR2 register becomes 1 (STOP condition detection interrupt requested) and the IR bit in the I2CIC register becomes 1 (I²C-bus interface interrupt requested).

24.1.6.2 RIE Bit

Set the RIE bit to enable an interrupt when receiving the last bit of data when the ACKCLK bit in the I2CCCR register is 1 (ACK clock generated). When the RIE bit is 1, the I²C-bus interface interrupt is generated when the last bit (the eighth falling edge of the SCL) of data is received.

The I²C-bus interface interrupt is generated at the ACK bit transmission (the ninth falling edge of the SCL) regardless of the RIE bit setting, therefore two I²C-bus interface interrupts are generated per data when the RIE bit is 1. The source of the interrupt can be identified by reading the RIE bit. The read value indicates the internal WAIT flag state. When the read value is 1, the last bit of data is the interrupt source. When the read value is 0, the ACK bit is the interrupt source.

Set the RIE bit to 0 when the ACKCLK bit in the I2CCCR register is 0 (ACK clock not generated). When the device is transmitting data or receiving a slave address, the I²C-bus interface interrupt is generated only by the ACK bit (the ninth falling edge of the SCL) regardless of the RIE bit setting. In both cases, the internal WAIT flag is 0.

Table 24.5 I²C-bus Interrupt Request Generation Timings and How to Resume Communication

I ² C-bus Interface Interrupt Generation Timing	Internal WAIT Flag	Resuming Transmission/Reception
Last bit of data (on eighth clock)	1	Write to the ACKD bit in the I2CCCR register
ACK bit (on ninth clock)	0	Write to the I2CTRSR register

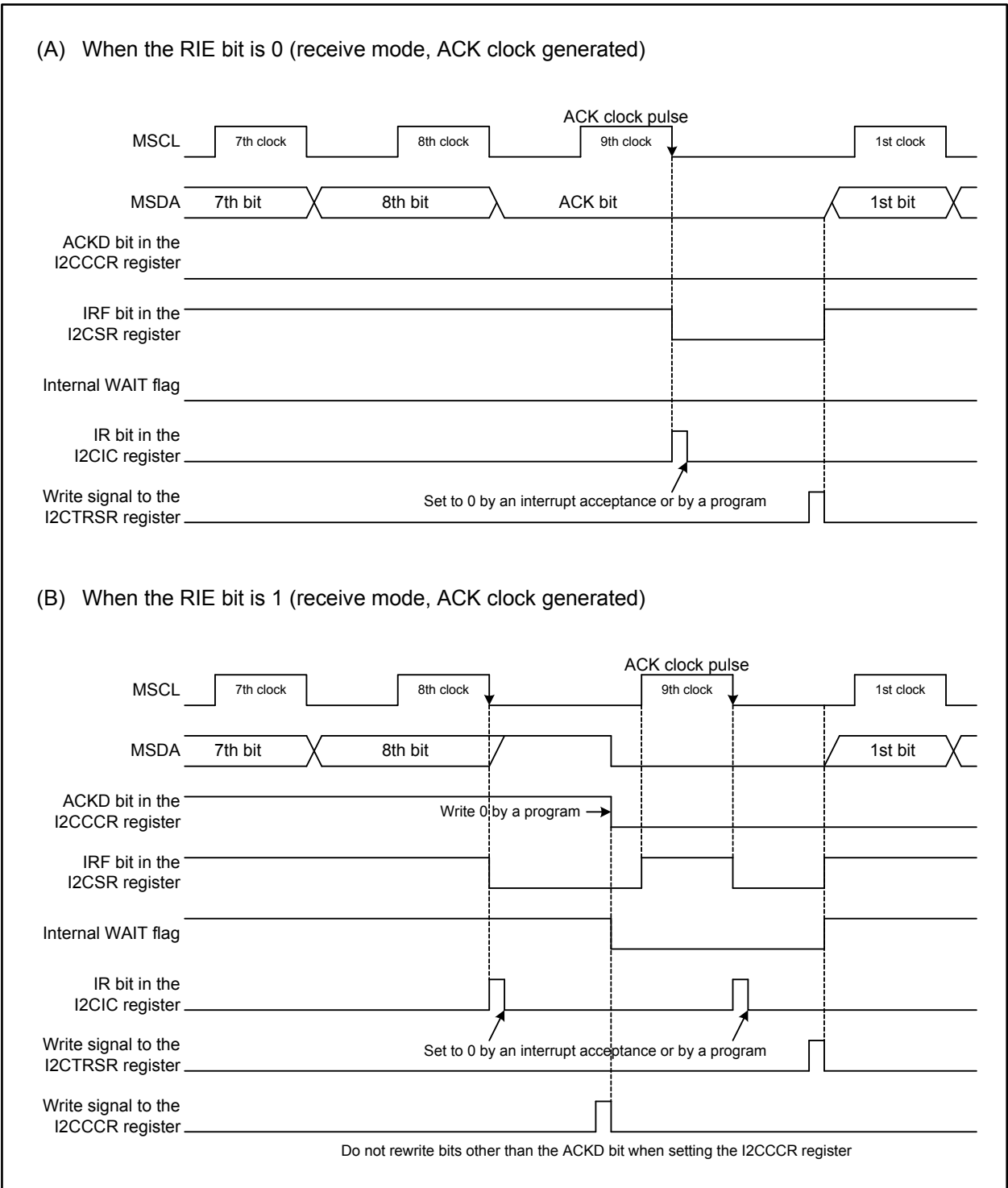


Figure 24.10 Interrupt Request Generation Timing in Receive Mode

24.1.6.3 Bits SDAO and SCLO

Bits SDAO and SCLO are read-only bits and used to monitor the logical values of the internal SDA output signal and internal SCL output signal, respectively. Only set these bits to 0. Note that the internal SDA and SCL output signals indicate output levels before being affected by external devices and do not indicate MSDA and MSCL pin states.

24.1.6.4 Bits ICK1 and ICK0

Set bits ICK1 and ICK0 to select the frequency of the I²C-bus system clock (ϕ IIC). These bits are enabled when bits ICK4 to ICK2 in the I2CCR2 register are 000b. Rewrite these bits when the ICE bit in the I2CCR0 register is 0 (I²C-bus interface disabled). The frequency of the I²C-bus system clock (ϕ IIC) can be selected from fIIC divided-by-2, -4, and -8 by setting these bits. fIIC divided-by-2.5, -3, -5, and -6 are also available by setting bits ICK4 to ICK2 in the I2CCR2 register. However, bits ICK1 and ICK0 are disabled in this case.

Table 24.6 I²C-bus System Clock (ϕ IIC) Select Bit Settings

I2CCR2 Register			I2CCR1 Register		ϕ IIC
ICK4 bit	ICK3 bit	ICK2 bit	ICK1 bit	ICK0 bit	
0	0	0	0	0	fIIC divided-by-2
			0	1	fIIC divided-by-4
			1	0	fIIC divided-by-8
0	0	1	0	0	fIIC divided-by-2.5
0	1	0	0	0	fIIC divided-by-3
0	1	1	0	0	fIIC divided-by-5
1	0	0	0	0	fIIC divided-by-6

Only set the values listed above.

24.1.7 I²C-bus Control Register 2 (I2CCR2)

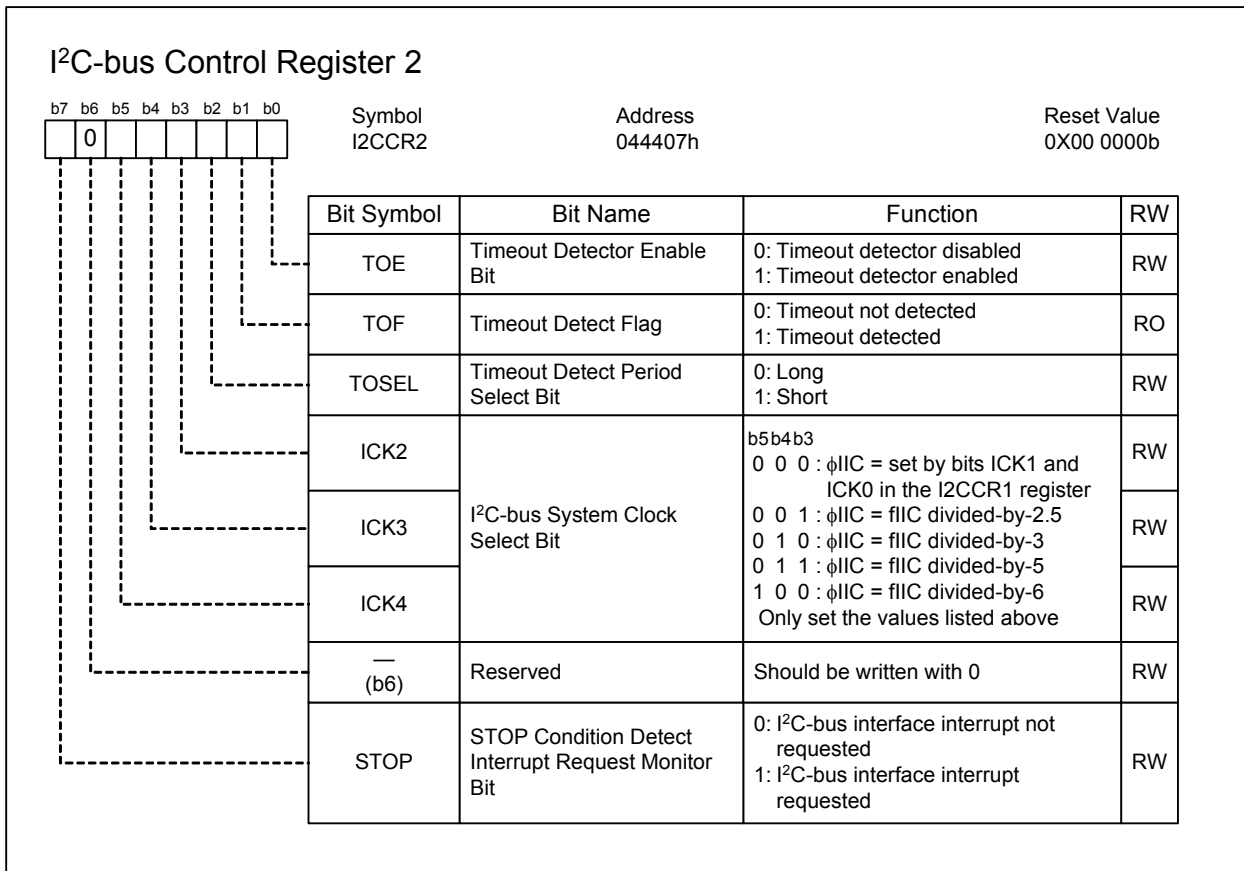


Figure 24.11 I2CCR2 Register

The I2CCR2 register controls communication error detection. If the SCL clock stops during transmission or reception, each device connected to the bus is halted suspending communication. To avoid this, the multi-master I²C-bus interface supports a function to generate an I²C-bus interface interrupt when the SCL clock is held high for a specified period of time during transmission or reception.

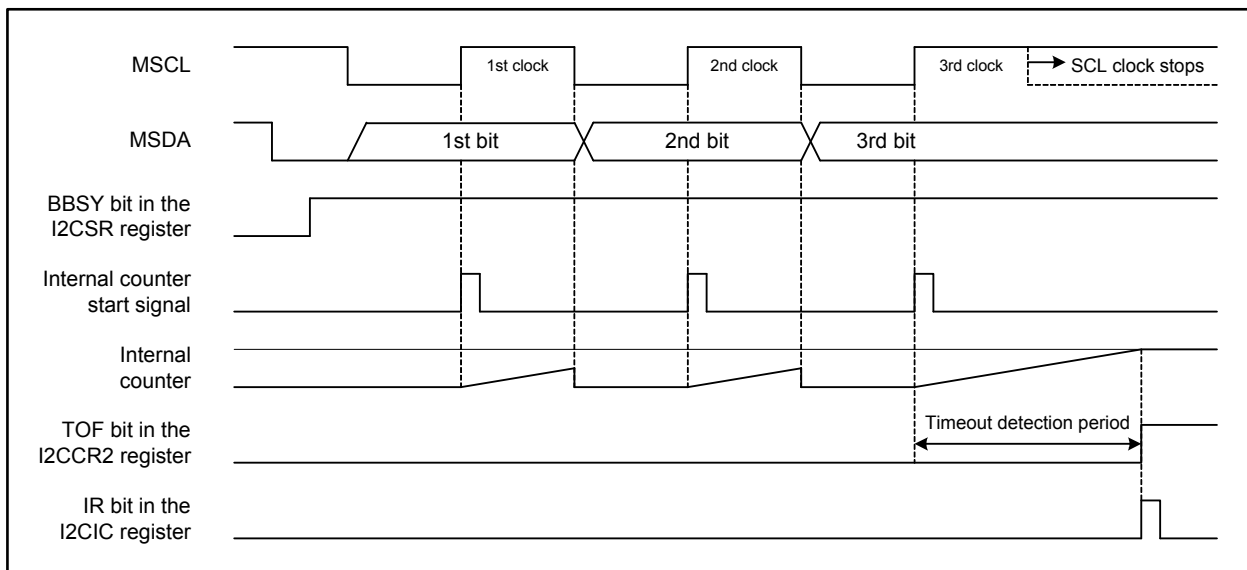


Figure 24.12 Timeout Detection Timing

24.1.7.1 TOE Bit

The TOE bit enables the timeout detector. When this bit is set to 1, the timeout detector is enabled, and when the SCL clock is held high for a specified period of time while the BBSY bit in the I2CSR register is 1 (bus is busy), an I²C-bus interface interrupt request is generated.

The timeout detection period is determined by 1) the internal counter that uses ϕ IIC as a count source, and 2) the TOSEL bit setting (selects the timeout detection period to be either long or short). Refer to 24.1.7.3 "TOSEL bit" for details.

When a timeout is detected, set the ICE bit in the I2CCR0 register to 0 (I²C-bus interface disabled) and initialize the I²C-bus interface.

24.1.7.2 TOF Bit

The TOF bit is a flag that indicates the state of a timeout detection. This bit is enabled when the TOE bit is 1. When the TOF bit becomes 1 (timeout detected), the IR bit in the I2CIC register becomes 1 (I²C-bus interface interrupt requested) simultaneously.

24.1.7.3 TOSEL Bit

The TOSEL bit selects a long or short length for a timeout detection period. This bit is enabled when the TOE bit is 1 (timeout detector enabled). Set this bit to 0 to select the long timeout period. In this setting, the internal counter functions as a 16-bit counter. Set this bit to 1 to select the short timeout period. In this setting, the internal counter functions as a 14-bit counter.

The internal counter increments using the I²C-bus system clock (ϕ IIC) as a count source.

Table 24.7 lists timeout detection periods.

Table 24.7 Example Timeout Detection Periods

ϕ IIC	Long Timeout Detection Period (TOSEL = 0)	Short Timeout Detection Period (TOSEL = 1)
4 MHz	16.4 ms	4.1 ms
2 MHz	32.8 ms	8.2 ms
1 MHz	65.6 ms	16.4 ms

24.1.7.4 Bits ICK4 to ICK2

Set bits ICK4 to ICK2 to select the frequency of the I²C-bus system clock (ϕ IIC). Rewrite these bits when the ICE bit in the I2CCR0 register is 0 (I²C-bus interface disabled).

The frequency of the I²C-bus system clock (ϕ IIC) can be selected from fIIC divided-by-2.5, -3, -5, and -6. When bits ICK4 to ICK2 are set to 000b, fIIC divided-by-2, -4, and -8 can also be selected by setting bits ICK1 and ICK0 in the I2CCR1 register. Refer to Table 24.6.

24.1.7.5 STOP Bit

The STOP bit monitors the STOP condition detection interrupt. When the I²C-bus interface interrupt is generated by the detection of a STOP condition, the STOP bit becomes 1. This bit is enabled when the STIE bit in the I2CCR1 register is 1 (STOP condition detection interrupt is enabled). This bit is set to 0 by a program. Writing 1 to this bit has no effect.

24.1.8 I²C-bus Status Register (I2CSR)

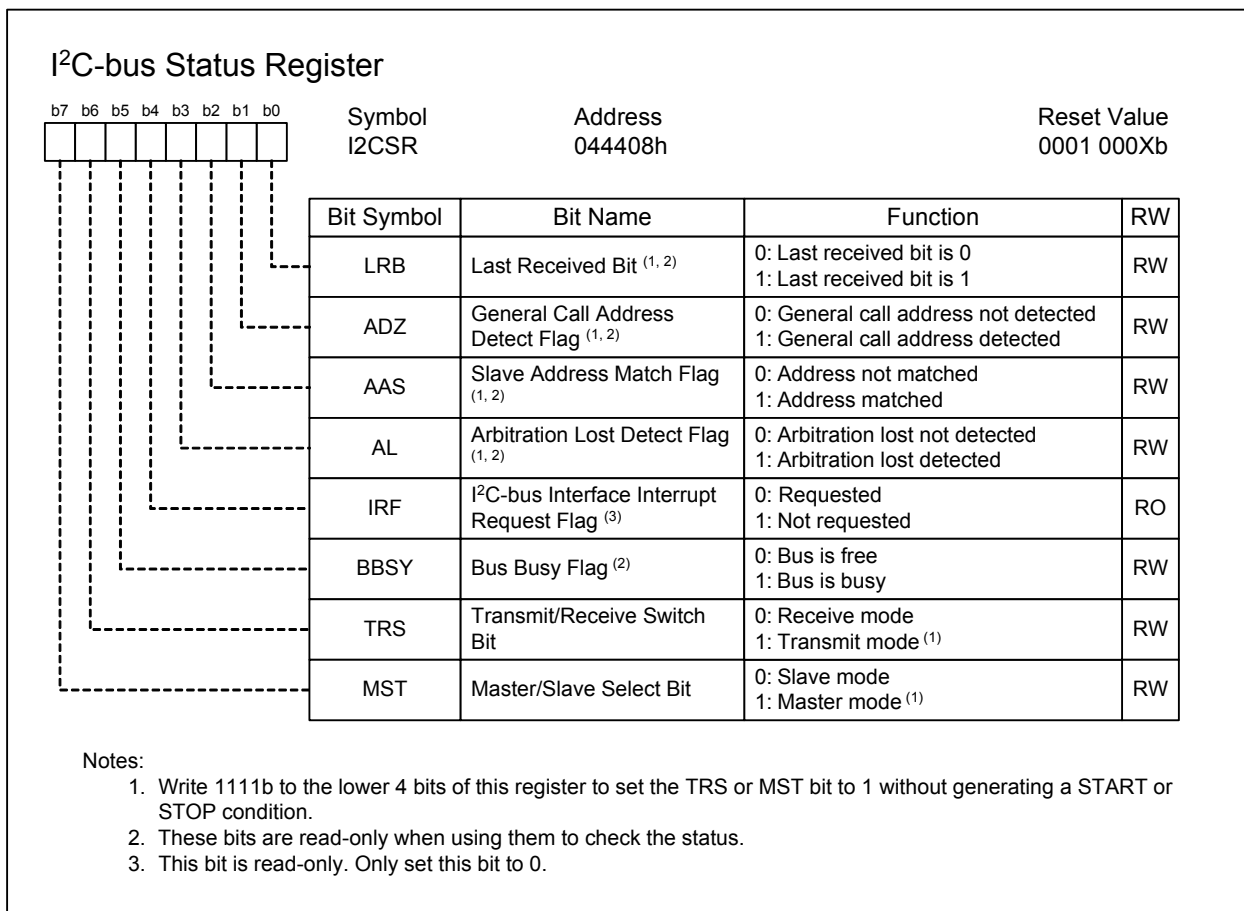


Figure 24.13 I2CSR Register

The I2CSR register monitors the state of the I²C-bus interface. Write to this register only when using the functions listed in Table 24.8, and only set the values that are listed. Note that the lower 6 bits are not rewritten even when values from Table 24.8 are written to.

Table 24.8 I2CSR Register Settings and Functions

Values Written to the I2CSR Register								Function
MST	TRS	BBSY	IRF	AL	AAS	ADZ	LRB	
0	0	X	0	1	1	1	1	Select slave-receive mode
0	1							Select slave-transmit mode
1	0							Select master-receive mode
1	1							Select master-transmit mode
1	1	0	0	0	0	0	0	Select master-transmit mode and set the device to be on STOP condition standby.
		1						Select master-transmit mode and set the device to be on START condition standby.

24.1.8.1 LRB Bit

The LRB bit stores the data of the last received bit. It is used to check whether an ACK is received. When the ACKCLK bit in the I2CCCR register is 1 (ACK clock generated), the LRB bit becomes 0 when the ACK is received, and 1 when the ACK is not received. When the ACKCLK bit is 0 (ACK clock not generated), the last bit of data is stored to the LRB bit. When a value is written to the I2CTRSR register, the LRB bit becomes 0.

24.1.8.2 ADZ Bit

The ADZ bit is a flag that indicates that the general call address was received. When the DFS bit in the I2CCR0 register is 0 (addressing format) in slave-receive mode, the ADZ bit becomes 1 when the general call address is received.

The ADZ bit becomes 0 in any of the following cases:

- When a STOP or START condition is detected
- When the ICE bit in the I2CCR0 register is set to 0 (I²C-bus interface disabled)
- When the RST bit in the I2CCR0 register is written with 1 (I²C-bus interface reset)

24.1.8.3 AAS Bit

The AAS bit is a flag that indicates whether the received address matches its own slave address. The AAS bit becomes 1 when the received address matches its own slave address in bits SAD6 to SAD0 in the I2CSAR register, when the DFS bit in the I2CCR0 register is 0 (addressing format) in slave-receive mode, or when the received address is the general call address.

The AAS bit becomes 0 in any of the following cases:

- When data is written to the I2CTRSR register
- When the ICE bit in the I2CCR0 register is set to 0 (I²C-bus interface disabled)
- When the RST bit in the I2CCR0 register is written with 1 (I²C-bus interface reset)

24.1.8.4 AL Bit

The AL bit is a flag that indicates arbitration lost detection. In master transmit mode, if the MSDA pin is changed to low by another device, then the AL bit becomes 1. Consequently, the TRS bit in the I2CSR register becomes 0 (receive mode), and then the MST bit becomes 0 (slave mode) at the end of the byte in which an arbitration lost is detected.

The AL bit becomes 0 in any of the following cases:

- When data is written to the I2CTRSR register
- When the ICE bit in the I2CCR0 register is set to 0 (I²C-bus interface disabled)
- When the RST bit in the I2CCR0 register is written with 1 (I²C-bus interface reset)

24.1.8.5 IRF Bit

Set the IRF bit to generate the I²C-bus interface interrupt request signal. When the I²C-bus interface interrupt source is generated, first the IRF bit becomes 0, then the I²C-bus interface interrupt is generated on the falling edge of the IRF bit. Refer to Figure 24.10 for the timing.

The IRF bit becomes 0 in any of the following cases:

- When 1-byte data transmission is completed (including when an arbitration lost is detected)
- When 1-byte data reception is completed
- When the slave address is matched in addressing format in slave-receive mode
- When the general call address is received in addressing format in slave-receive mode
- When address data reception is completed in free data format in slave-receive mode

The IRF bit becomes 1 in any of the following cases:

- When data is written to the I2CTRSR register
- When data is written to the I2CCCR register (the RIE bit is 1, internal WAIT flag is 1)
- When the ICE bit in the I2CCR0 register is set to 0 (I²C-bus interface disabled)
- When the RST bit in the I2CCR0 register is written with 1 (I²C-bus interface reset)

24.1.8.6 BBSY Bit

The BBSY bit is a flag that indicates the availability of the I²C-bus. The BBSY bit becomes 1 when a START condition is detected, and 0 when a STOP condition is detected. When the BBSY bit is 0, the I²C-bus is not in use, and is available for the device to generate a START condition.

The detection of a START or STOP condition is dependent on the setting of bits SSC4 to SSC0 in the I2CSSCR register.

The BBSY bit becomes 0 in any of the following cases:

- When a STOP condition is detected
- When the ICE bit in the I2CCR0 register is set to 0 (I²C-bus interface disabled)
- When the RST bit in the I2CCR0 register is written with 1 (I²C-bus interface reset)

24.1.8.7 TRS Bit

The TRS bit determines the direction of data communication. When this bit is set to 0, the device enters receive mode and waits for data to be sent from another device. When this bit is set to 1, the device enters transmit mode and transmits data and address to the SDA line synchronized with the SCL clock.

The TRS bit automatically becomes 1 (transmit mode) when the received address matches its own slave address and the received R/W bit is 1 (data requested) in addressing format in slave-receive mode.

The TRS bit becomes 0 in any of the following cases:

- When this bit is set to 0
- When an arbitration lost is detected
- When a STOP condition is detected
- When the START condition redundancy prevention function is activated
- When a START condition is detected in slave mode
- When a NACK is received in slave mode
- When the ICE bit in the I2CCR0 register is set to 0 (I²C-bus interface disabled)
- When the RST bit in the I2CCR0 register is written with 1 (I²C-bus interface reset)

24.1.8.8 MST Bit

Set the MST bit to select master or slave mode. To enter slave mode, set this bit to 0. Communication is initiated in synchronization with the SCL clock generated by the master device. Set this bit to 1 to enter master mode. The device generates the SCL clock to initiate communication.

The MST bit becomes 0 in any of the following cases:

- When the MST bit is set to 0
- When an arbitration lost is detected, and transmission of the corresponding byte is completed
- When a STOP condition is detected
- When a START condition is detected
- When the START condition redundancy prevention function is enabled
- When the ICE bit in the I2CCR0 register is set to 0 (I²C-bus interface disabled)
- When the RST bit in the I2CCR0 register is written with 1 (I²C-bus interface reset)

24.1.9 I²C-bus Mode Register (I2CMR)

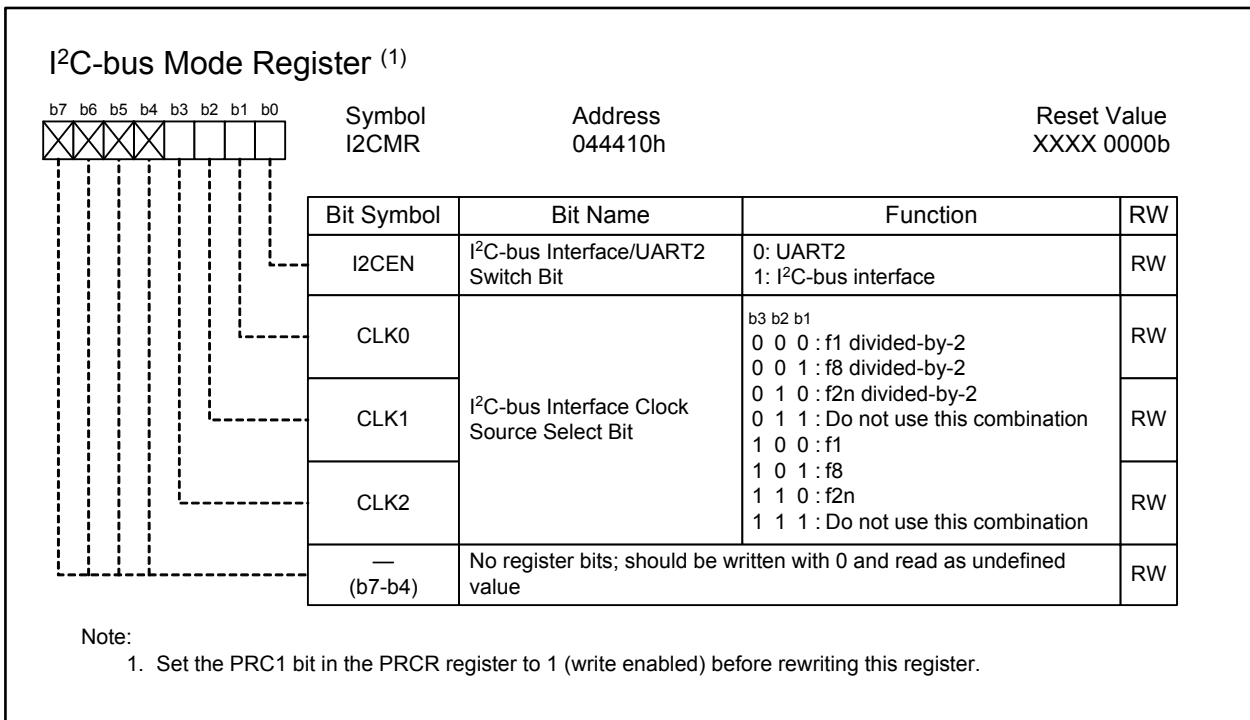


Figure 24.14 I2CMR Register

The I2CMR register selects signals for the I²C-bus interface and the clock source. Set the PRC1 bit in the PRCR register to 1 (write enabled) before rewriting this register.

24.1.9.1 I2CEN Bit

The I2CEN bit switches between signals for UART2 and the I²C-bus interface. Set this bit to 1 to use the following signals: MSDA, MSCL, the I²C-bus interface interrupt, and the I²C-bus line interrupt. When this bit is set to 0, signals for UART2 are enabled.

24.1.9.2 Bits CLK2 to CLK0

Bits CLK2 to CLK0 select the clock source for the I²C-bus interface clock (fIIC). It is selected from f1 divided-by-2, f8 divided-by-2, f2n divided-by-2, f1, f8, or f2n.

The clock source selected for the I²C-bus interface (fIIC) is used as the clock source for the I²C-bus system clock (ϕ IIC).

24.2 Generating a START Condition

To enter a START condition standby state, write E0h to the I2CSR register while the ICE bit in the I2CCR0 register is 1 (I²C-bus interface enabled) and the BBSY bit in the I2CSR register is 0 (bus is free). When in standby, write a slave address to the I2CTRSR register to generate a START condition. Consequently, the bit counter becomes 000b, 1 byte of the SCL clock is output, and the slave address is transmitted. Figure 24.15 shows how to generate a START condition.

Note that after a STOP condition is generated, writing to the I2CSR register is disabled for 1.5 cycles of ϕ IIC after the BBSY bit becomes 0. To generate a START condition immediately after generating a STOP condition, first write E0h to the I2CSR register, then confirm that bits TRS and MST in the I2CSR register are 1. After that, write a slave address to the I2CTRSR register.

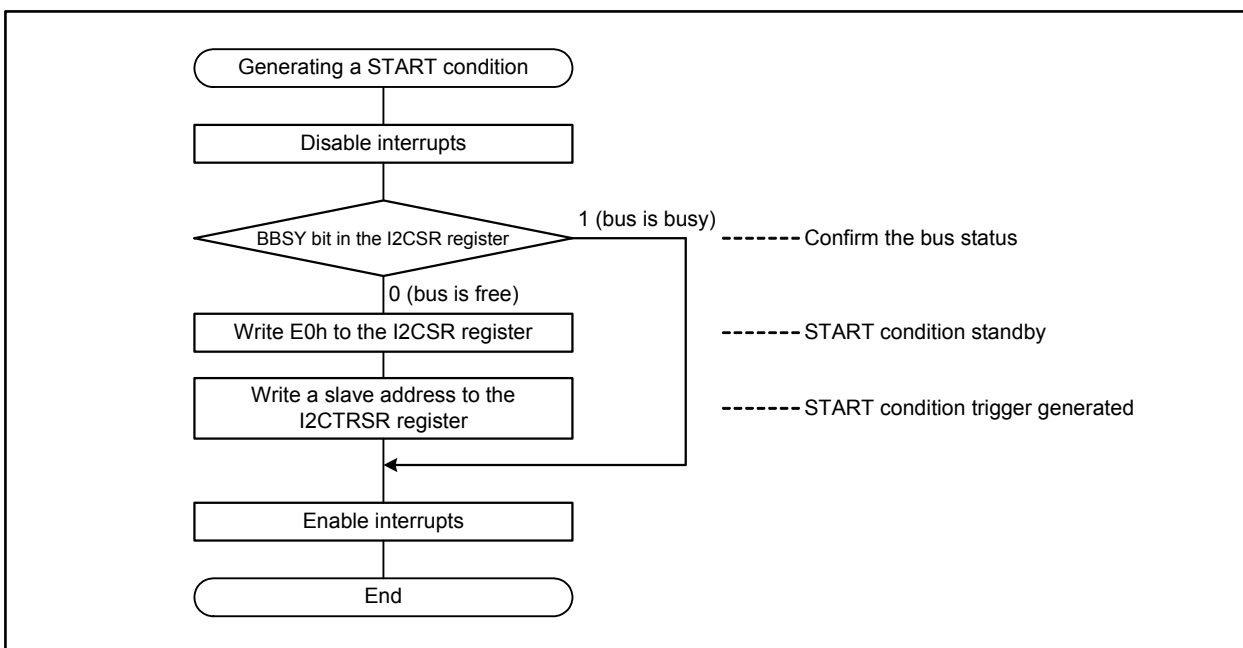


Figure 24.15 Generating a START Condition

The timing to generate a START condition differs between Standard-mode and Fast-mode. Figure 24.16 shows START condition generation timing. Table 24.9 lists the set-up and hold times when a START or STOP condition is generated.

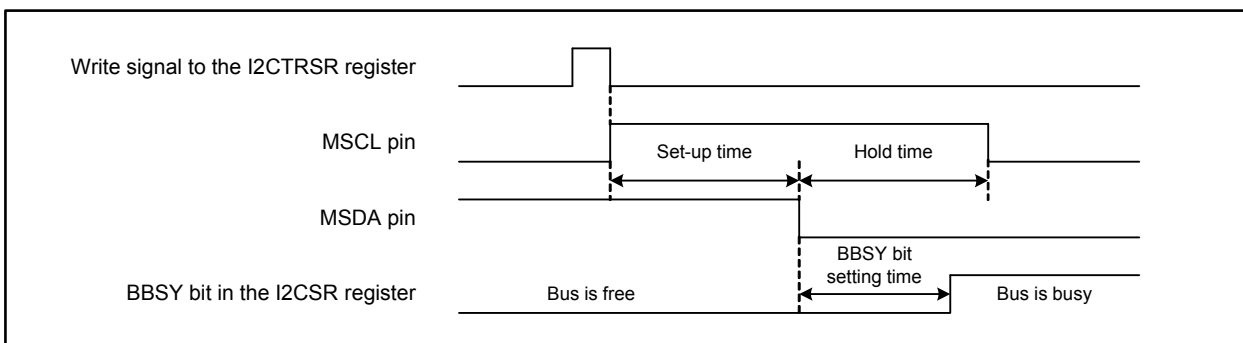


Figure 24.16 START Condition Generation Timing

Table 24.9 Set-up and Hold Times When Generating a START or STOP Condition

Parameter	SCL Mode	Short Mode (STSPSEL = 0)	Long Mode (STSPSEL = 1)
Set-up time	Standard-mode (CLKMD = 0)	5.0 μ s (20)	13.0 μ s (52)
	Fast-mode (CLKMD = 1)	2.5 μ s (10)	6.5 μ s (26)
Hold time	Standard-mode (CLKMD = 0)	5.0 μ s (20)	13.0 μ s (52)
	Fast-mode (CLKMD = 1)	2.5 μ s (10)	6.5 μ s (26)

CLKMD: Bit in the I2CCCR register

STSPSEL: Bit in the I2CSSCR register

Number of ϕ IIC cycles in parentheses.

24.3 Generating a STOP Condition

To enter a STOP condition standby state, write C0h to the I2CSR register while the ICE bit in the I2CCR0 register is 1 (I²C-bus interface enabled). Consequently, the MSDA pin becomes low. When in a standby state, write dummy data to the I2CTRSR register to generate a STOP condition. Figure 24.17 shows how to generate a STOP condition.

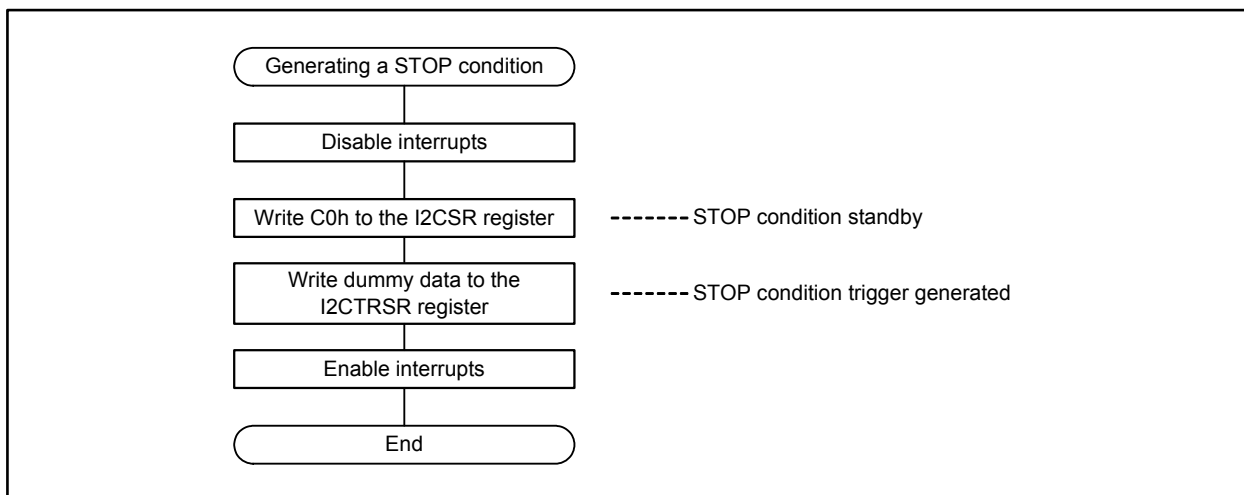


Figure 24.17 Generating a STOP Condition

The timing for generating a STOP condition differs between Standard-mode and Fast-mode. Figure 24.18 shows STOP condition generating timing. Table 24.9 lists the set-up and hold times when a START or STOP condition is generated.

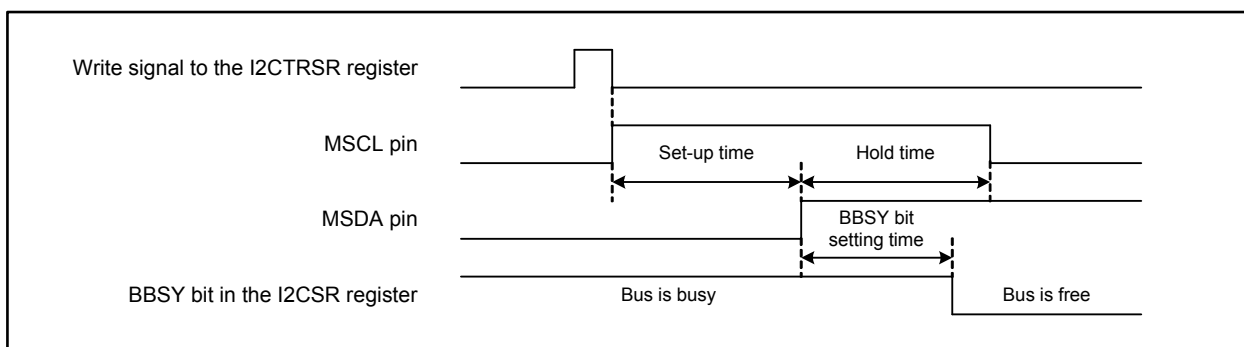


Figure 24.18 STOP Condition Generating Timing

Do not write the I2CSR or I2CTRSR register during the period after the standby setting until the BBSY bit in the I2CSR register becomes 0. Doing so may cause a failure of a successful STOP condition generation.

Furthermore, after the standby setting, the internal SCL output becomes low in the following case: after the MSCL pin becomes high and when it becomes low before the BBSY bit becomes 0. In this case, low output from the MSCL pin is stopped (clock line released) by generating a STOP condition, by setting the ICE bit in the I2CCR0 register to 0 (I²C-bus interface disabled), or by setting the RST bit to 1 (I²C-bus interface reset)

24.4 START Condition Redundancy Prevention Function

A START condition is generated when the bus is free (confirmed with the BBSY bit in the I2CSR register). However, before a START condition is generated, if a different master device generates another START condition, the BBSY bit may become 1. In this case, the START condition redundancy prevention function terminates the generation of its own START condition.

The START condition redundancy prevention functions as follows:

- The START condition standby setting is disabled (exits standby state)
- Writing to the I2CTRSR register is disabled (generation of the START condition trigger is disabled)
- Bits MST and TRS in the I2CSR register become 0 (enters slave-receive mode)
- The AL bit in the I2CSR register becomes 1 (arbitration lost is detected)

Figure 24.19 shows the operation of the START condition redundancy prevention function.

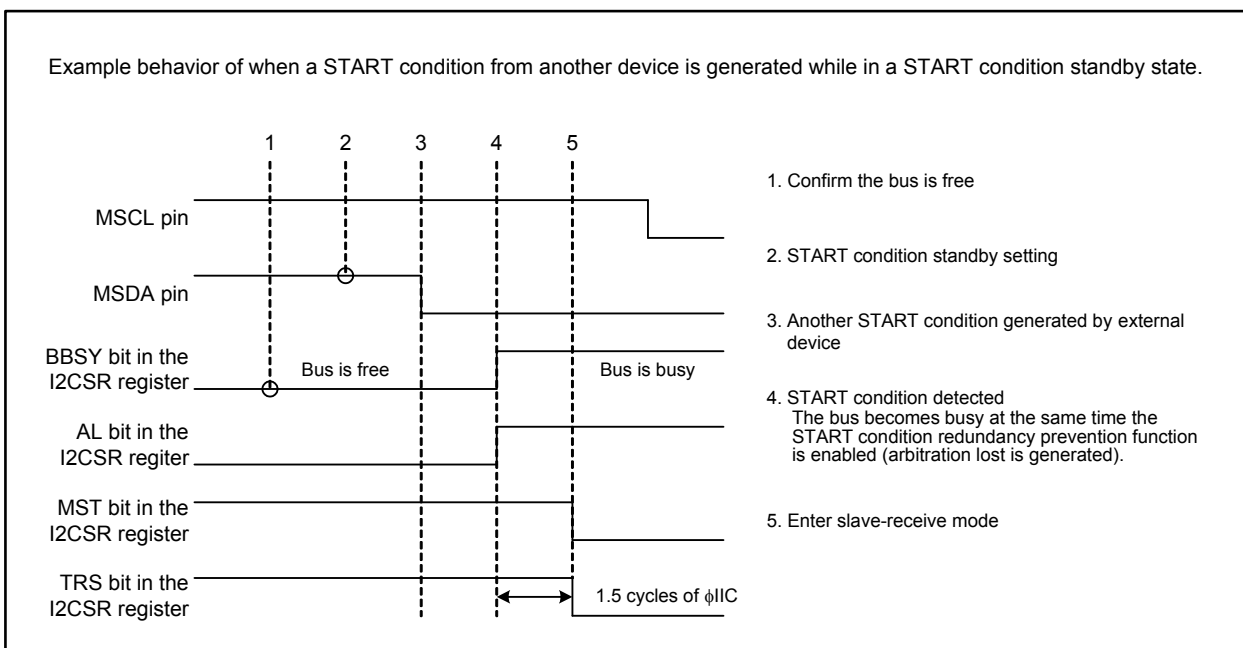


Figure 24.19 Example Operation of the START Condition Redundancy Prevention Function

The START condition redundancy prevention function is enabled from the falling edge of an SDA line in a START condition until the slave address is completely received. This means, when registers I2CSR and I2CTRSR are written during this period, then the START condition redundancy prevention function is enabled. Figure 24.20 shows the duration.

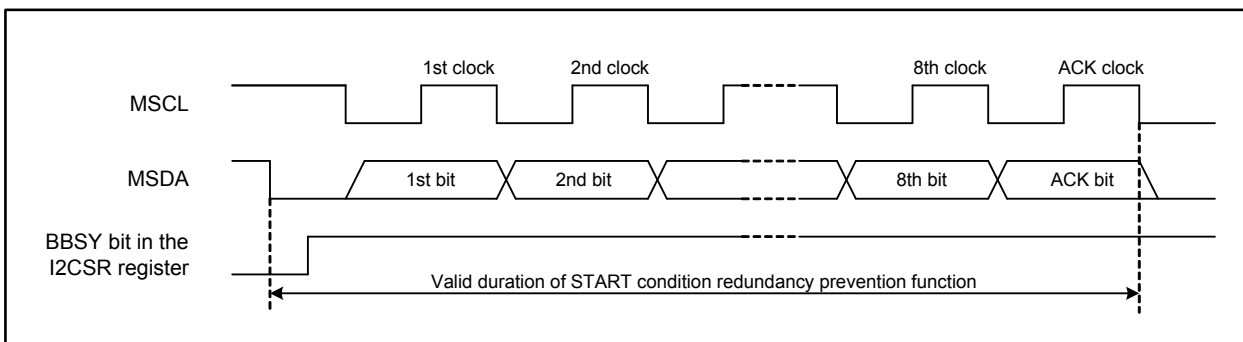


Figure 24.20 Enabled Duration of the START Condition Redundancy Prevention Function

24.5 Detecting START and STOP Conditions

Figure 24.21 shows START condition detection, Figure 24.22 shows STOP condition detection, and Table 24.10 lists the parameters for detecting START and STOP conditions. The parameters to detect START and STOP conditions are set with bits SSC4 to SSC0 in the I2CSSCR register. These parameters are detectable only when the input signals of pins MSCL and MSDA meet all the conditions of the high period of MSCL pin, set-up, and hold times in Table 24.10.

The BBSY bit in the I2CSR register becomes 1 when a START condition is detected, and 0 when a STOP condition is detected. The timing for setting the BBSY bit differs between Standard-mode and Fast-mode. Refer to Table 24.11 for BBSY bit setting time. Table 24.11 lists the recommended settings for bits SSC4 to SSC0 in Standard-mode.

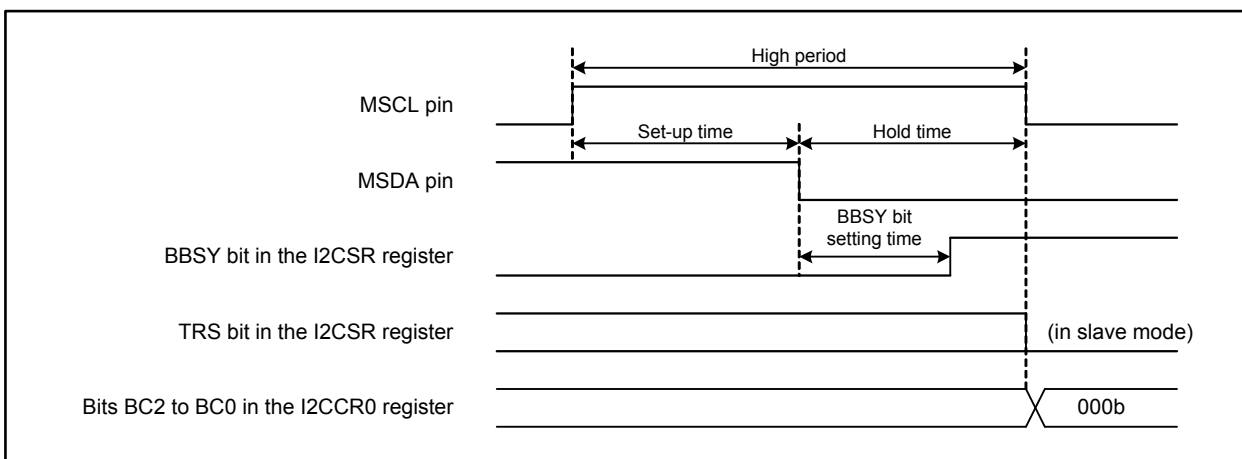


Figure 24.21 Detecting a START Condition

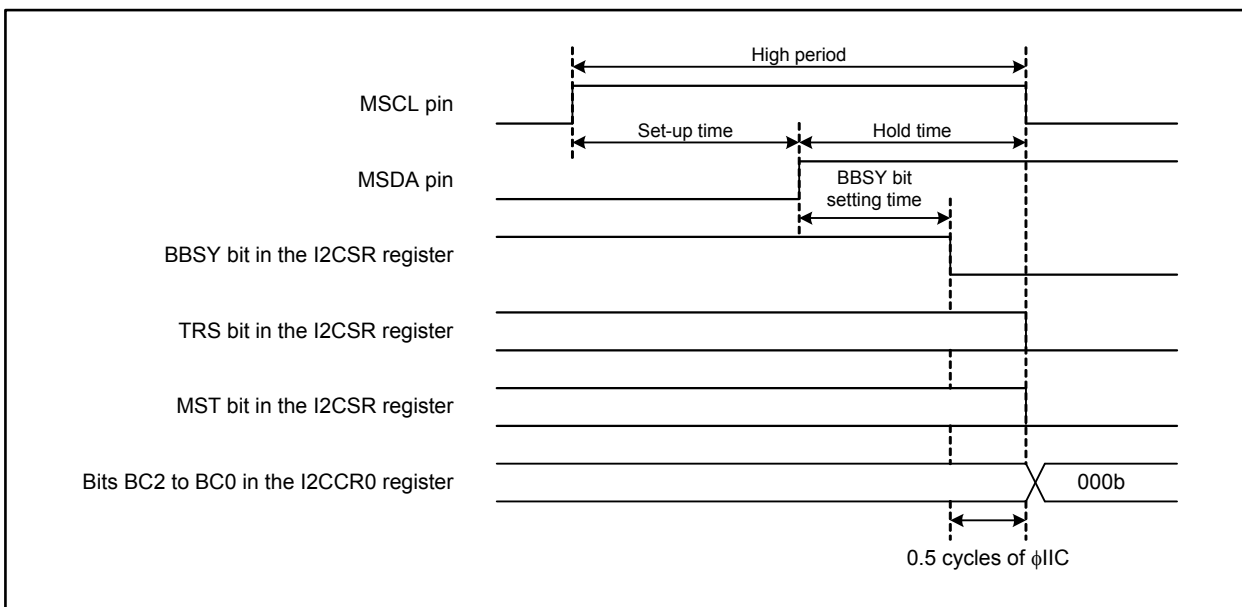


Figure 24.22 Detecting a STOP Condition

Table 24.10 Parameters for Detecting START and STOP Conditions

Parameter	Standard-mode	Fast-mode
High period of MSCL pin	SSC value + 1 cycle (6.25 μs)	4 cycles (1.0 μs)
Set-up time	$\frac{\text{SSC value}}{2} + 1 \text{ cycle} < 4.0 \mu\text{s}$ (3.25 μs)	2 cycles (0.5 μs)
Hold time	$\frac{\text{SSC value}}{2}$ cycles < 4.0 μs (3.0 μs)	2 cycles (0.5 μs)
BBSY bit set/reset time	$\frac{\text{SSC value} - 1}{2} + 2 \text{ cycles}$ (3.375 μs)	3.5 cycles (0.875 μs)

Unit: φIIC cycles

SSC value: Setting value of bits SSC4 to SSC0 in the I2CSSCR register. Do not set these bits to 0 or an odd number.

Example times of when φIIC = 4 MHz and the I2CSSCR register = 18h are in parentheses.

Table 24.11 Recommended Values for Bits SSC4 to SSC0 in Standard-mode

φIIC	SSC Recommended Value	Parameters for Detecting START and STOP Conditions			BBSY Bit Set/Reset Time
		High period of MSCL pin	Set-up time	Hold time	
5 MHz	30	6.2 μs (31)	3.2 μs (16)	3.0 μs (15)	4.125 μs (16.5)
4 MHz	26	6.75 μs (27)	3.5 μs (14)	3.25 μs (13)	3.625 μs (14.5)
	24	6.25 μs (25)	3.25 μs (13)	3.0 μs (12)	3.375 μs (13.5)
2 MHz	12	6.5 μs (13)	3.5 μs (7)	3.0 μs (6)	3.75 μs (7.5)
	10	5.5 μs (11)	3.0 μs (6)	2.5 μs (5)	3.25 μs (6.5)
1 MHz	4	5.0 μs (5)	3.0 μs (3)	2.0 μs (2)	3.5 μs (3.5)

Number of φIIC cycles in parentheses.

SSC recommended values: Decimal value of bits SSC4 to SSC0 in the I2CSSCR register.

24.6 Data Transmission and Reception

Examples of the data transmission and reception format for master-transmission or slave-reception in a 7-bit address format are shown in section 24.6.1 “Master Transmission” and 24.6.2 “Slave Reception”. These examples assume communication starts after initialization using the parameters set in Table 24.12.

Table 24.12 Example of Initial Settings

Register	Setting Value	Parameter	Initial Setting
I2CSAR	02h	Slave address	1
I2CCCR	85h	SCL frequency	100 kHz (ϕ IIC = 4 MHz)
		Clock mode	Standard-mode
		ACK clock generation	ACK clock generated
I2CCR2	00h	Timeout Detector	Disabled
I2CCR1	13h	STOP condition detection interrupt	Enabled
		Successful data receive interrupt	Enabled
		ϕ IIC	fIIC divided-by-2
I2CSR	0Fh	Communication mode	Slave-receive mode
I2CSSCR	98h	SSC value (see Table 24.11)	24
		START and STOP conditions generation mode	Long mode
I2CCR0	08h	Number of bits to be transmitted or received	8 bits
		I ² C-bus interface	Enabled (communication enabled)
		Data format	Addressing format
I2CMR	09h	I ² C-bus interface/UART2	I ² C-bus interface selected
		I ² C-bus interface clock source	fIIC = f2n

24.6.1 Master Transmission

The operation and procedures of master transmission are described in this section. Figure 24.23 shows an example of master transmission operation. For (A) to (C) in the figure, see A to C in the descriptions and procedures below. (1) to (3) show the program's instructions. Arrows indicate that the procedure is performed by the MCU automatically.

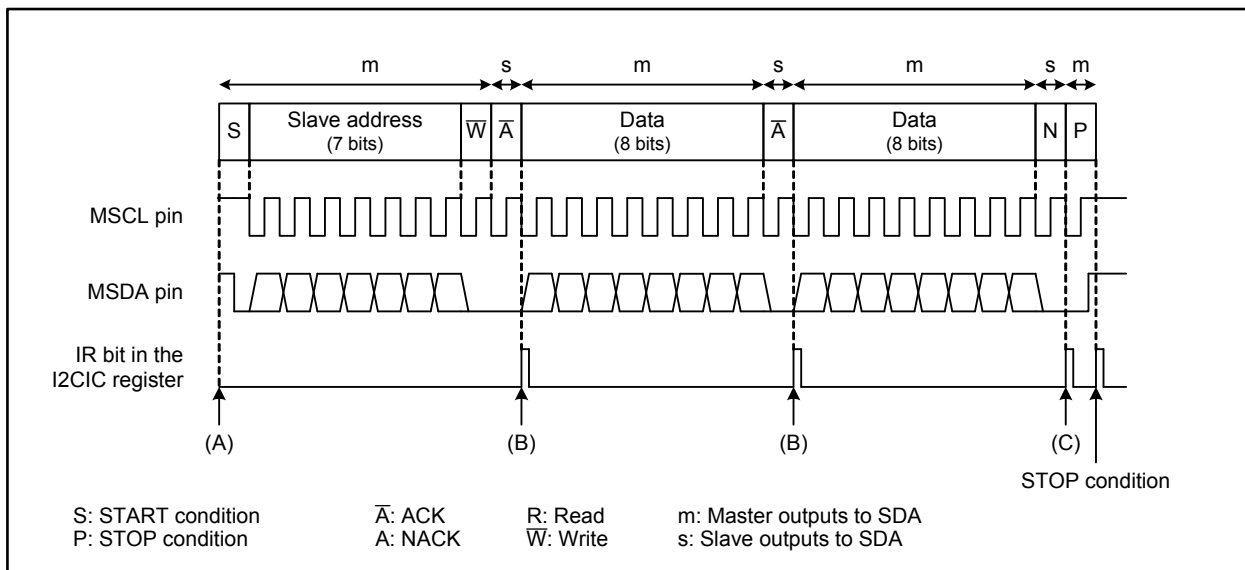


Figure 24.23 Example Operation of Master Transmission

A. Transmitting a slave address

- (1) Confirm the BBSY bit in the I2CSR register is 0 (bus is free)
- (2) Write E0h to the I2CSR register
→ The device enters the START condition standby state
- (3) Write an address of a receiver (slave address) to the upper 7 bits of the I2CTRSR register
→ A START condition is generated
→ The slave address is sent

B. Transmitting data (processed in the I²C-bus interrupt routine)

- (1) Write transmit data to the I2CTRSR register
→ Data is sent
To send multiple bytes of data, write them to the I2CTRSR register in succession

C. Completing master transmission (processed in the I²C-bus interrupt routine)

- (1) Write C0h to the I2CSR register
→ The device enters the STOP condition standby state
- (2) Write dummy data to the I2CTRSR register
→ A STOP condition is generated

In addition to the case where transmission is completed, procedure (C) is required when no ACK from the slave device is received (when a NACK is received as shown in Figure 24.23).

24.6.2 Slave Reception

The operation and procedures of slave reception are described in this section. Figure 24.24 shows an example of slave reception operation. For (A) to (D) in the figure, see A to D in the descriptions and procedures below. (1) to (3) show the program's instructions. Arrows indicate that the procedure is performed by the MCU automatically.

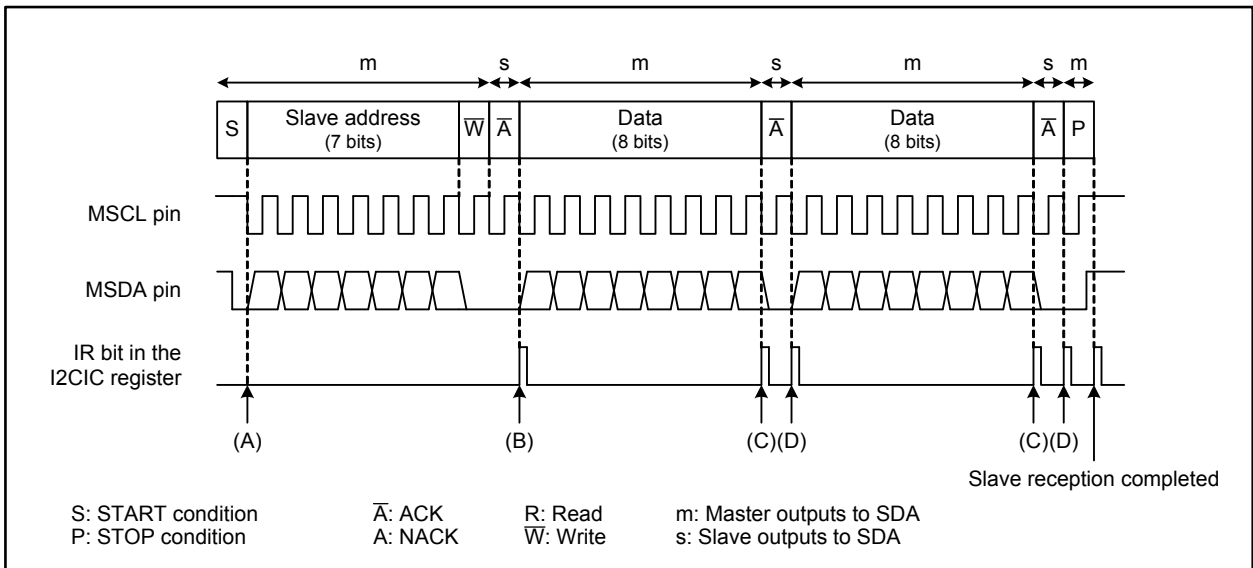


Figure 24.24 Example Operation of Slave Reception

- A. Receiving a slave address (performed by the MCU automatically)
- A START condition is detected
 - A slave address is received
 - An ACK is sent and the I²C-bus interface interrupt is generated in either of the following cases
 - When the general call address is received (the ADZ bit in the I²CSR register is 1)
 - When an address match is detected (the AAS bit in the I²CSR register is 1)
- B. Starting slave reception (processed in the I²C-bus interrupt routine)
- (1) Check the I²CSR register value. When the TRS bit is 0, start the slave reception.
 - (2) Write dummy data to the I²CTRSR register
 - Data reception starts
- C. Completing slave reception (processed in the I²C-bus interrupt routine)
- (1) Read the received data from the I²CTRSR register
 - (2) Set the ACKD bit in the register to 1 (NACK) when the data is the last received data
 - (3) Set the ACKD bit in the register to 0 (ACK) when the data is not the last received data
 - An ACK or NACK is sent and an I²C-bus interface interrupt is generated
- D. Completing ACK transmission (processed in the I²C-bus interrupt routine)
- (1) Write dummy data to the I²CTRSR register
 - If the data is the last received data, a STOP condition is detected
 - If not, data reception restarts

24.7 Notes on Using Multi-master I²C-bus Interface

24.7.1 Accessing Multi-master I²C-bus Interface-associated Registers

Notes on writing to and reading I²C-bus interface-associated registers.

- I2CTSR register
Do not write to this register during data transmission or reception. Doing so resets the transmit/receive counter and the register is unable to perform normal data transmission or reception.
- I2CCR0 register
This register becomes 000b when a START condition is detected or 1 byte of data transmission or reception is completed. Do not write to or read this register at these two timings. Doing so may change the register value to an unexpected value. Figures 24.26 and 24.27 show the bit counter reset timings.
- I2CCCR register
Do not rewrite bits other than the ACKD bit during transmission or reception. Otherwise the I²C-bus clock circuit is reset and a normal transmission or reception will not be performed as a result.
- I2CCR1 register
Rewrite bits ICK4 to ICK0 only when the ICE bit in the I2CCR0 register is 0 (I²C-bus interface disabled). When the I2CCR1 register is read, the internal WAIT flag status is read from this register. Therefore, do not use a bit processing instruction (read-modify-write instruction) with this register.
- I2CSR register
Do not use a bit processing instruction (read-modify-write instruction) since the value of each bit in the I2CSR register changes depending on the communication state. Also, do not access this register when MST bit or TRS bit, which select the communication mode, changes. Doing so may change the register value to an unexpected value. Figures 24.25 to 24.27 show the timing of bits MST and TRS to change.

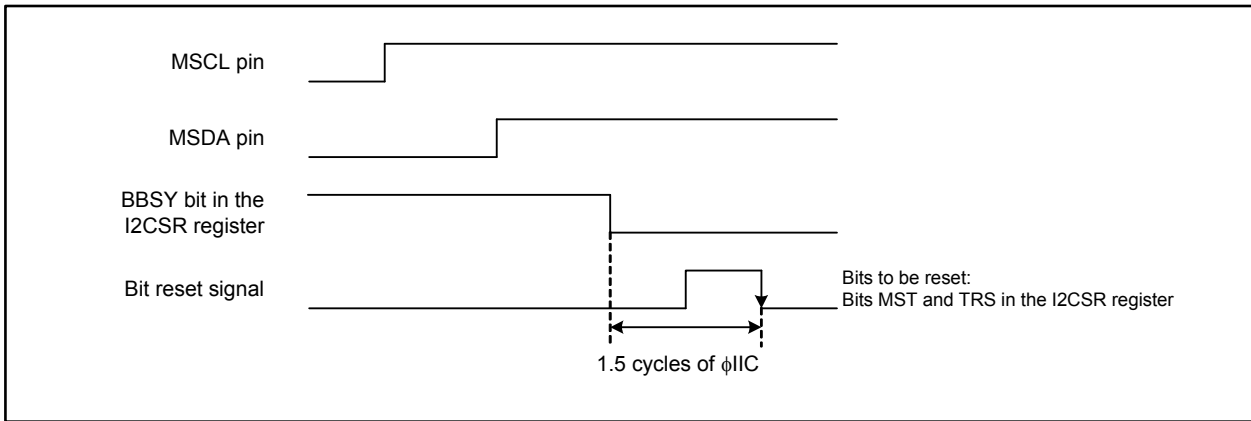


Figure 24.25 Bit Resetting Timing (when a STOP condition is detected)

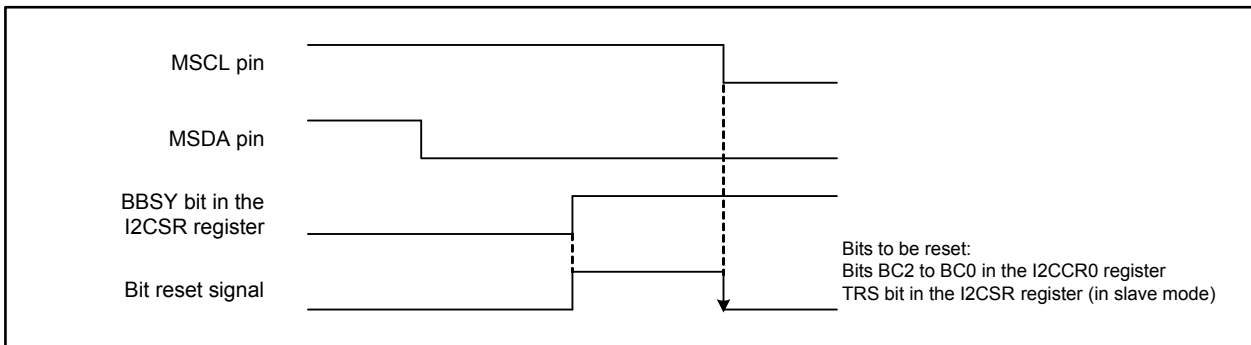


Figure 24.26 Bit Resetting Timing (when a START condition is detected)

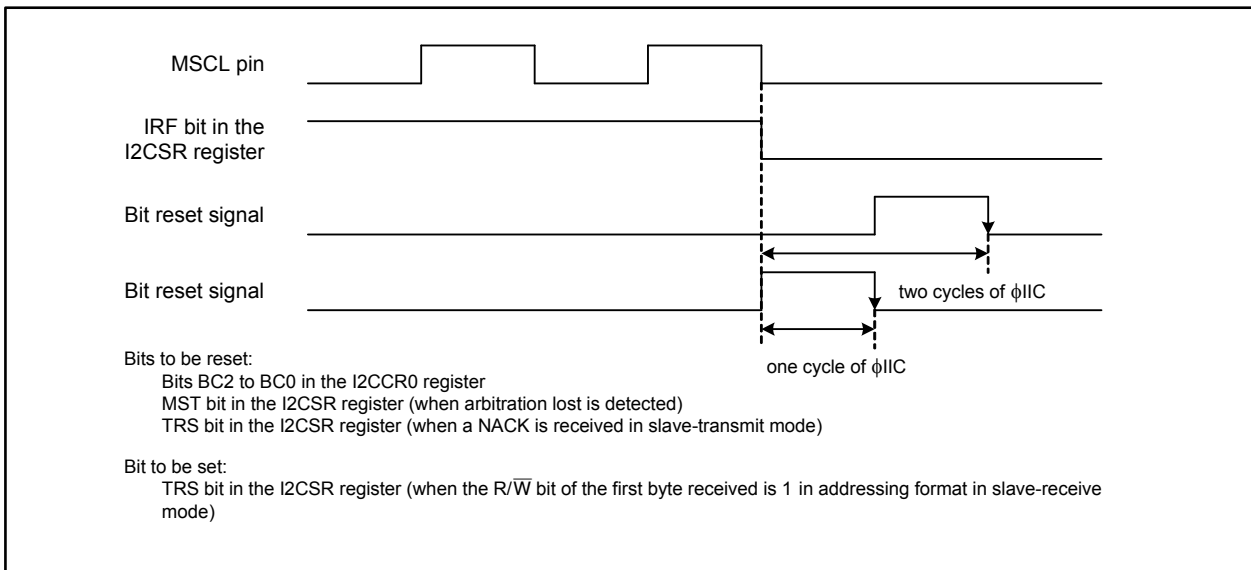


Figure 24.27 Bit Setting/Resetting Timing (when data transmission/reception is completed)

24.7.2 Generating a Repeated START condition

Use the following steps to generate a repeated START condition after transmitting 1-byte of data:

- (1) Write E0h (the START condition standby state, and the MSDA pin is high) to the I2CSR register
- (2) Wait until the MSDA pin becomes high
- (3) Write a slave address to the I2CTRSR register to generate a START condition trigger

Figure 24.28 shows the repeated START condition generating timing.

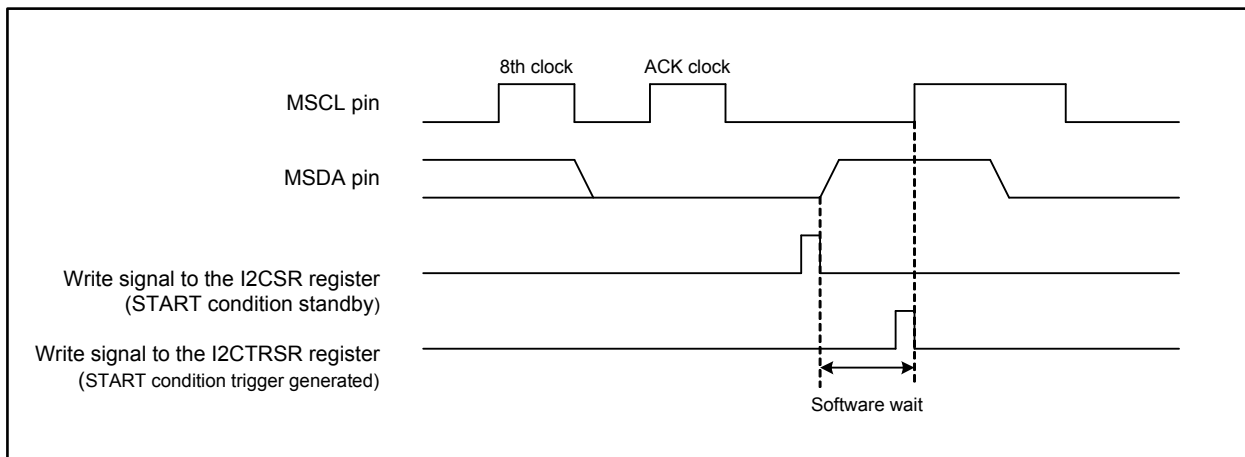


Figure 24.28 Repeated START Condition Generating Timing

25. I/O Pins

Each pin of the MCU functions as a programmable I/O port, an I/O pin for integrated peripherals, or a bus control pin. These functions can be switched by the function select registers or the processor mode registers. This chapter particularly addresses the function select registers. For the use as a bus control pin, refer to 7. "Processor Mode" and 9. "Bus".

The pull-up resistors are enabled for every group of four pins. However, a pull-up resistor is separated from other peripherals even if it is enabled, when a pin functions as an output pin.

Figure 25.1 shows a block diagram of typical I/O pin.

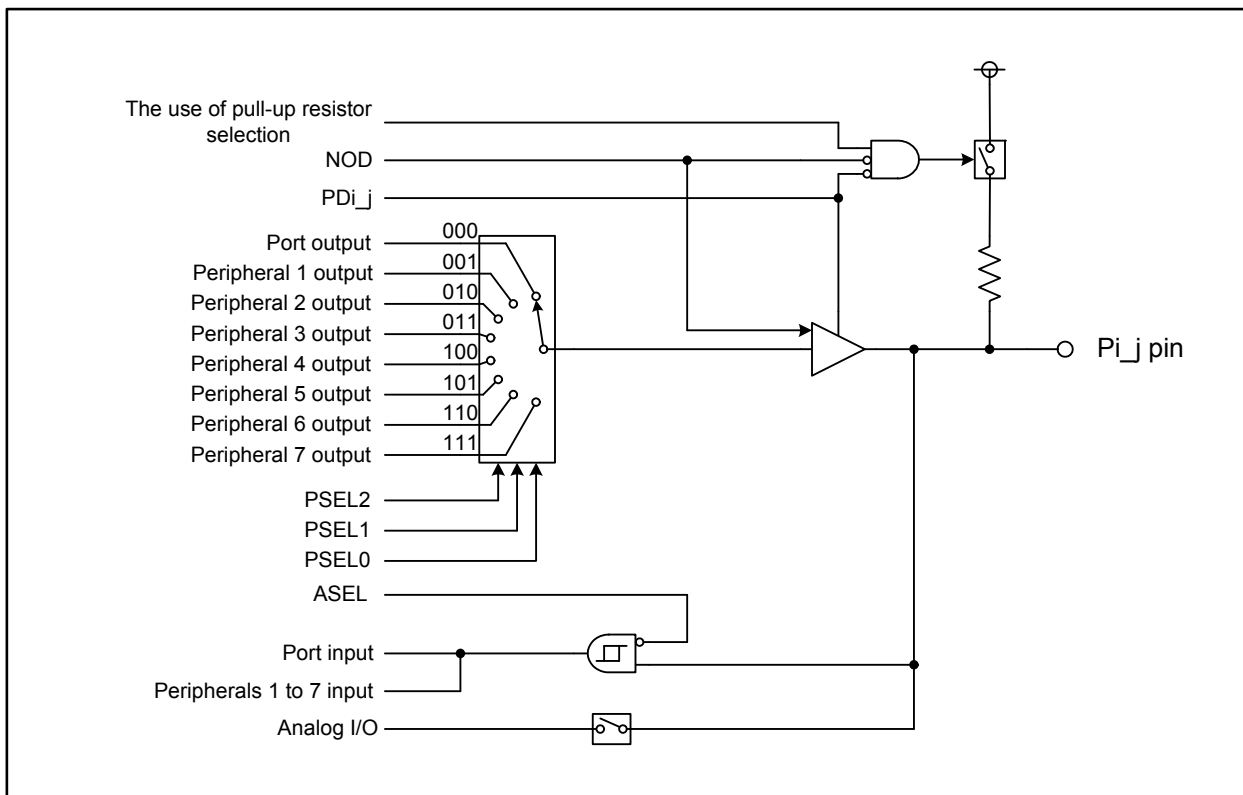


Figure 25.1 Typical I/O Pin Block Diagram ($i = 0$ to 15; $j = 0$ to 7)

The registers to control I/O pins are as follows: port Pi direction register (PDi register), output function select registers, and pull-up control registers. The PDi register selects the input or output state of pins. The output function select registers which select output function consist of bits PSEL2 to PSEL0, NOD, and ASEL. Bits PSEL2 to PSEL0 select a function as a programmable I/O or peripheral output (except analog output). The NOD bit selects the N-channel open drain output for a pin. The ASEL bit prevents the increase in power consumption of input buffer caused by an intermediate potential when a pin functions as an analog I/O pin. The pull-up control registers enable/disable the pull-up resistors.

To use a pin as an analog I/O pin, set the PDi_j bit to 0 (input), bits PSEL2 to PSEL0 to 000b, and the ASEL bit to 1.

The input-only port P8_5 shares a pin with $\overline{\text{NMI}}$ and has no function select register or bit 5 in the PD8 register. Port P14_1 (or P9_1 in the 100-pin package) also functions as an input-only port. The function select register and bit 1 in the PD14 register are reserved. Port P9 is protected from unexpected write accesses by the PRC2 bit in the PRCR register (refer to 10. "Protection").

25.1 Port Pi Direction Register (PDi Register, i = 0 to 15)

The PDi register selects the input or output state of pins. Bits in this register correspond to respective pins.

In memory expansion mode or microprocessor mode, this register cannot control pins being assigned bus control signals (A0 to A23, D0 to D31, $\overline{CS0}$ to $\overline{CS3}$, $\overline{WR}/\overline{WR0}$, $\overline{BC0}$, $\overline{BC1}/\overline{WR1}$, $\overline{BC2}/\overline{WR2}$, $\overline{BC3}/\overline{WR3}$, \overline{RD} , $\overline{CLKOUT}/\overline{BCLK}$, \overline{HLDA} , \overline{HOLD} , ALE, and \overline{RDY}).

Figure 25.2 shows the PDi register.

No register bit is provided for port P8_5. For port P14_1 (or P9_1 in the 100-pin package), a reserved bit is provided.

The PD9 register is protected from unexpected write accesses by setting the PRC2 bit in the PRCR register (refer to 10. "Protection").

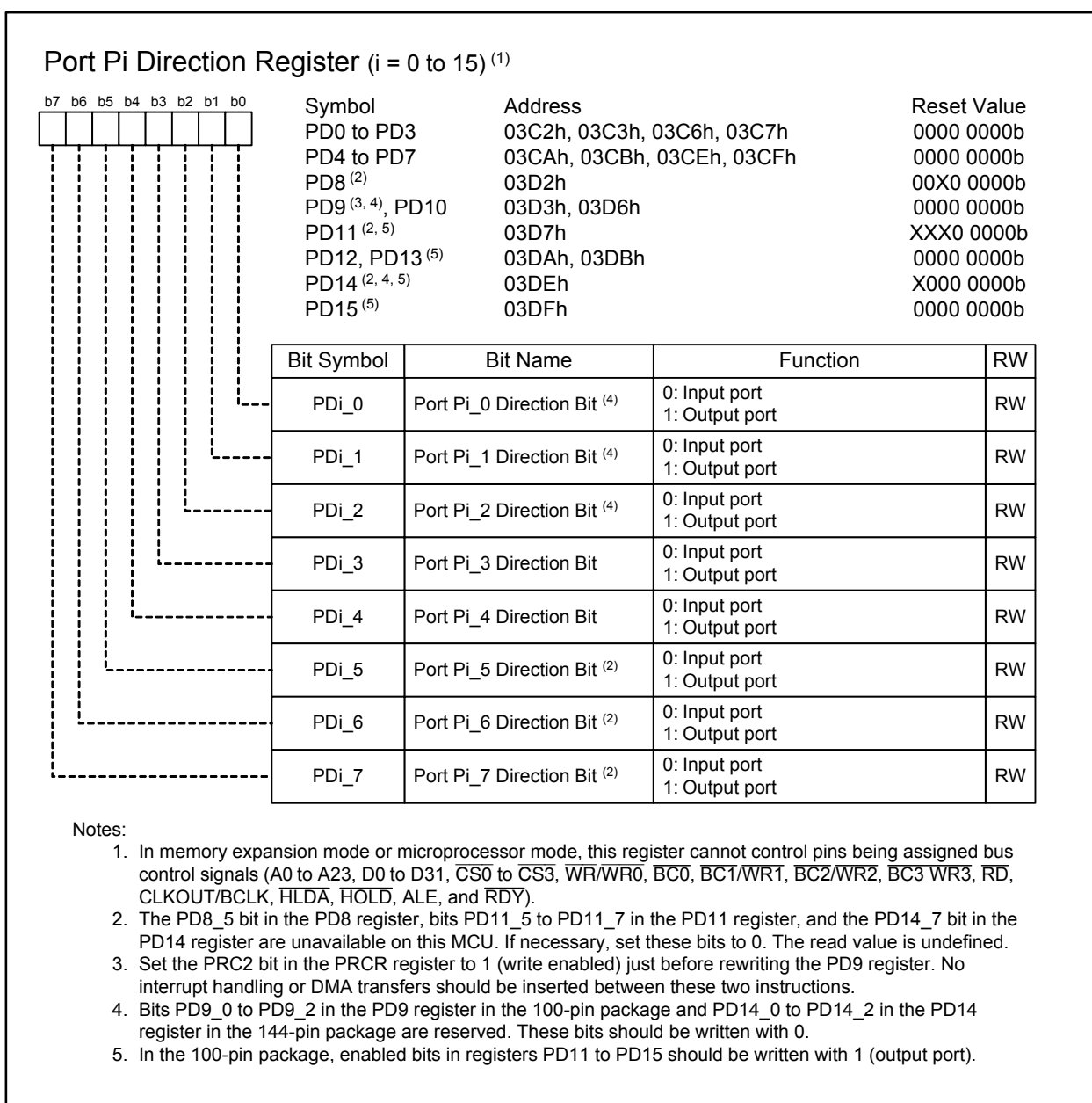


Figure 25.2 Registers PD0 to PD15

25.2 Output Function Select Registers

When a programmable I/O port and peripheral output share a pin, these registers select the output function of the pin. Regardless of the register settings, signals are input to all the connected peripherals. An output function select register consists of bits PSEL2 to PSEL0, NOD, and ASEL. Bits PSEL2 to PSEL0 select a function as programmable I/O or peripheral output (except analog output). The NOD bit selects the N-channel open drain output. The ASEL bit prevents the increase in power consumption caused by an intermediate potential generated when a pin functions as an analog I/O pin.

Table 25.1 shows the peripherals assigned to each PSEL2 to PSEL0 bit combination, and Figures 25.3 to 25.19 show the function select registers.

Note that ports P8_5 and P14_1 (or P9_1 in the 100-pin package) (input only) have no output function select registers.

The P9_iS register is protected from unexpected write accesses by setting the PRC2 bit in the PRCR register (refer to 10. "Protection").

Table 25.1 Peripheral Assignment

Bits PSEL2 to PSEL0	Peripherals
001b	Timer
010b	Three-phase motor control timers
011b	UART
100b	UART special function
101b	Intelligent I/O groups 0 and 2
110b	Intelligent I/O group 1
111b	UART8

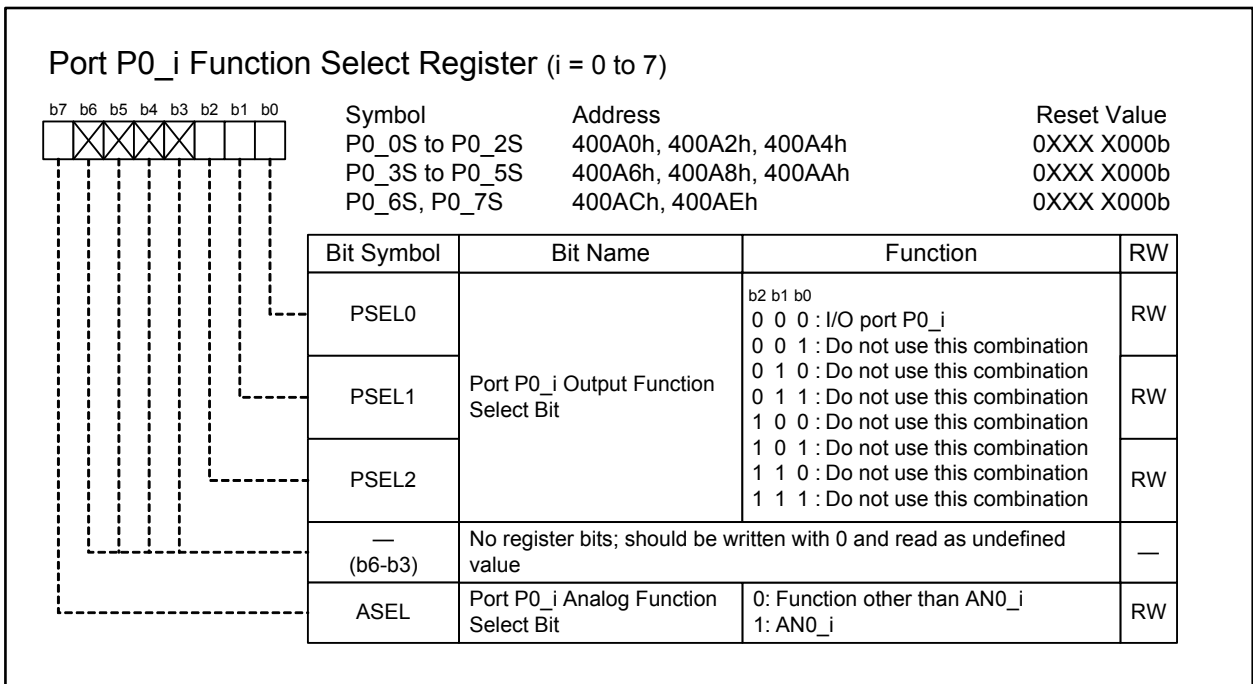


Figure 25.3 Registers P0_0S to P0_7S

Port P0_i shares a pin with the AN0_i input for the A/D converter (i = 0 to 7).

To use it as a programmable I/O port, set the P0_iS register to 00h. To use it as an A/D converter input pin, set this register to 80h and the PD0_i bit to 0 (port P0_i functions as an input port).

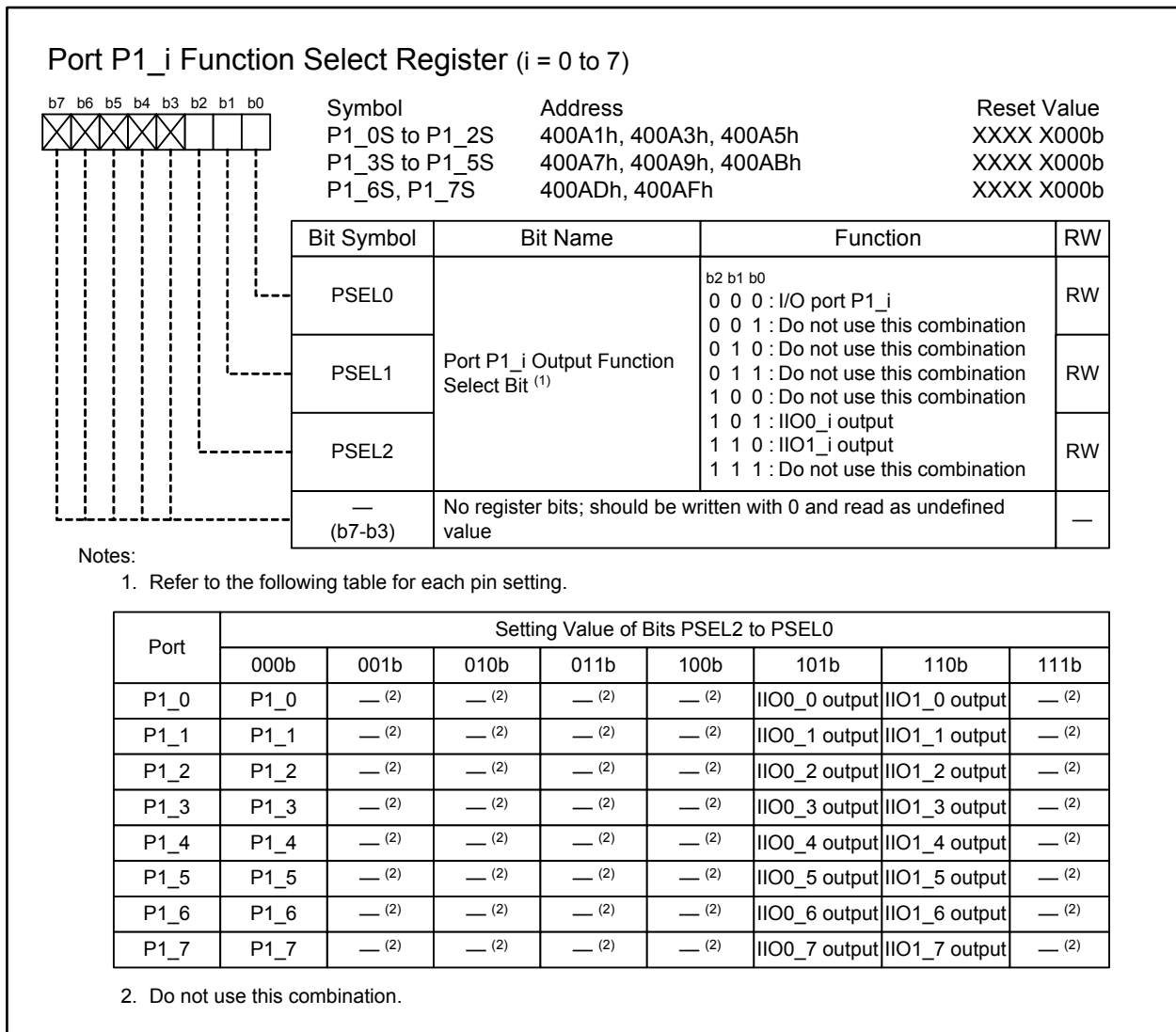


Figure 25.4 Registers P1_0S to P1_7S

Port P1_i shares a pin with intelligent I/O groups 0 and 1 (IIO0 and IIO1) and the external interrupt inputs (i = 0 to 7).

To use it as an output pin, set the PD1_i bit to 1 (port P1_i functions as an output port) and select a function according to Figure 25.4. To use it as an input pin, set the PD1_i bit to 0 (port P1_i functions as an input port).

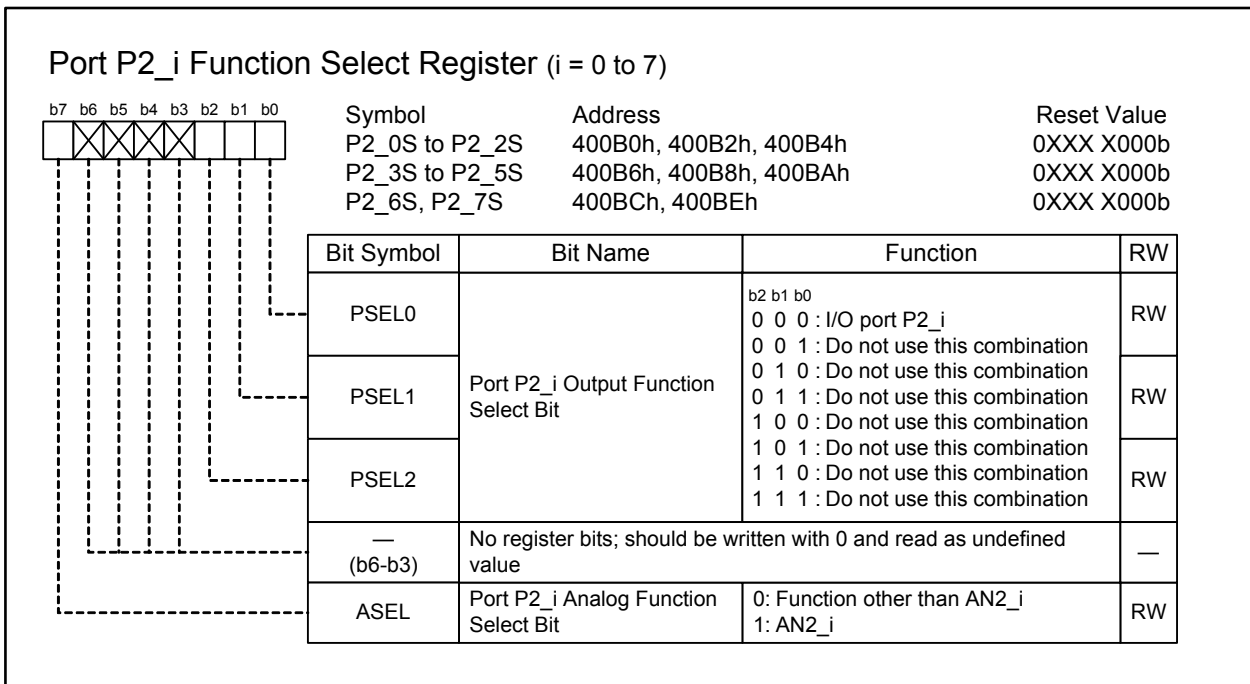


Figure 25.5 Registers P2_0S to P2_7S

Port P2_i shares a pin with the AN2_i for the A/D converter (i = 0 to 7).

To use it as a programmable I/O port, set the P2_iS register to 00h. To use it as an A/D converter input pin, set this register to 80h and the PD2_i bit to 0 (port P2_i functions as an input port).

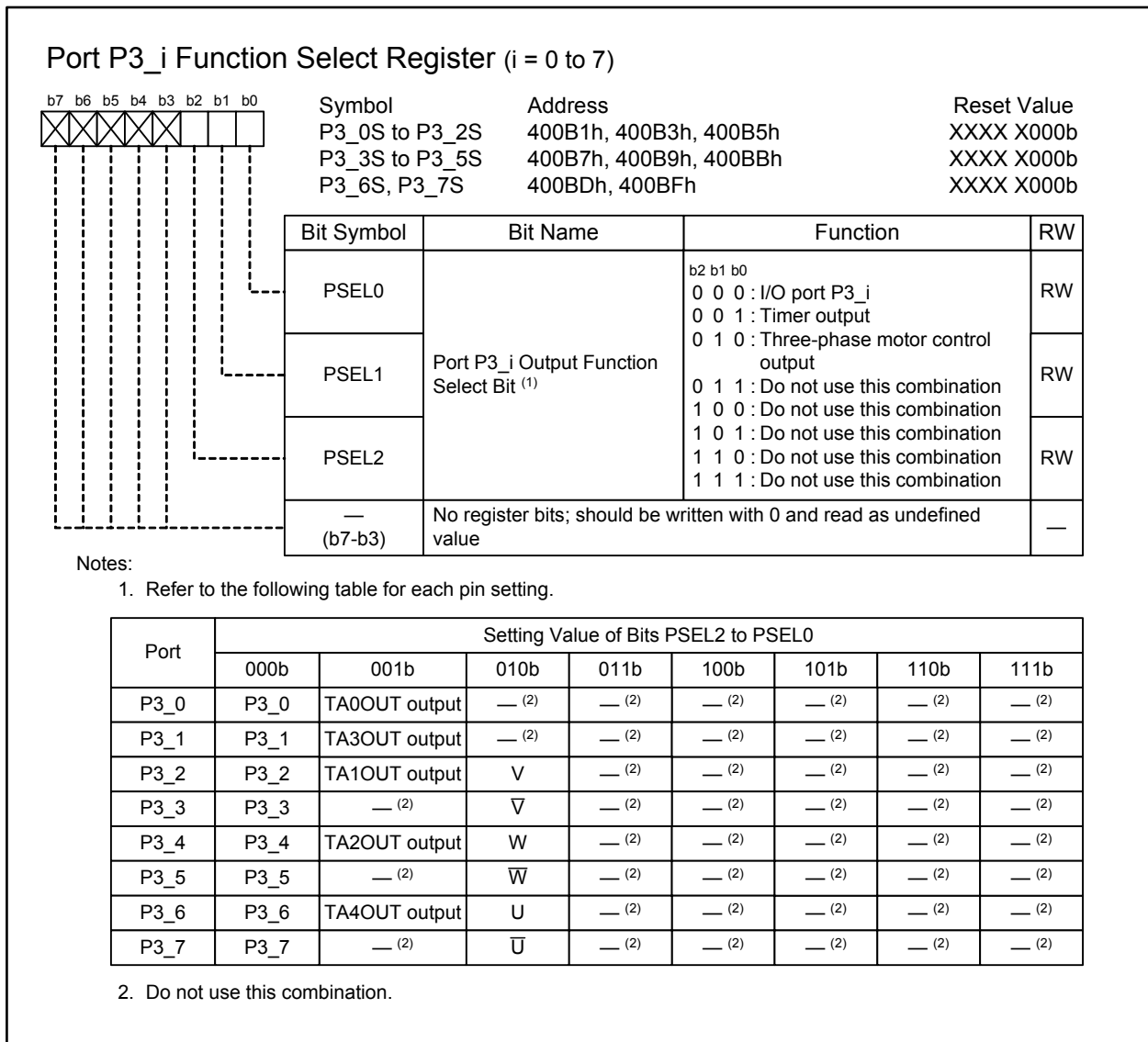


Figure 25.6 Registers P3_0S to P3_7S

Port P3_i shares a pin with the timer output and three-phase motor control output (i = 0 to 7).

To use it as an output pin, set the PD3_i bit to 1 (port P3_i functions as an output port) and select a function according to Figure 25.6. To use it as an input pin, set the PD3_i bit to 0 (port P3_i functions as an input port).

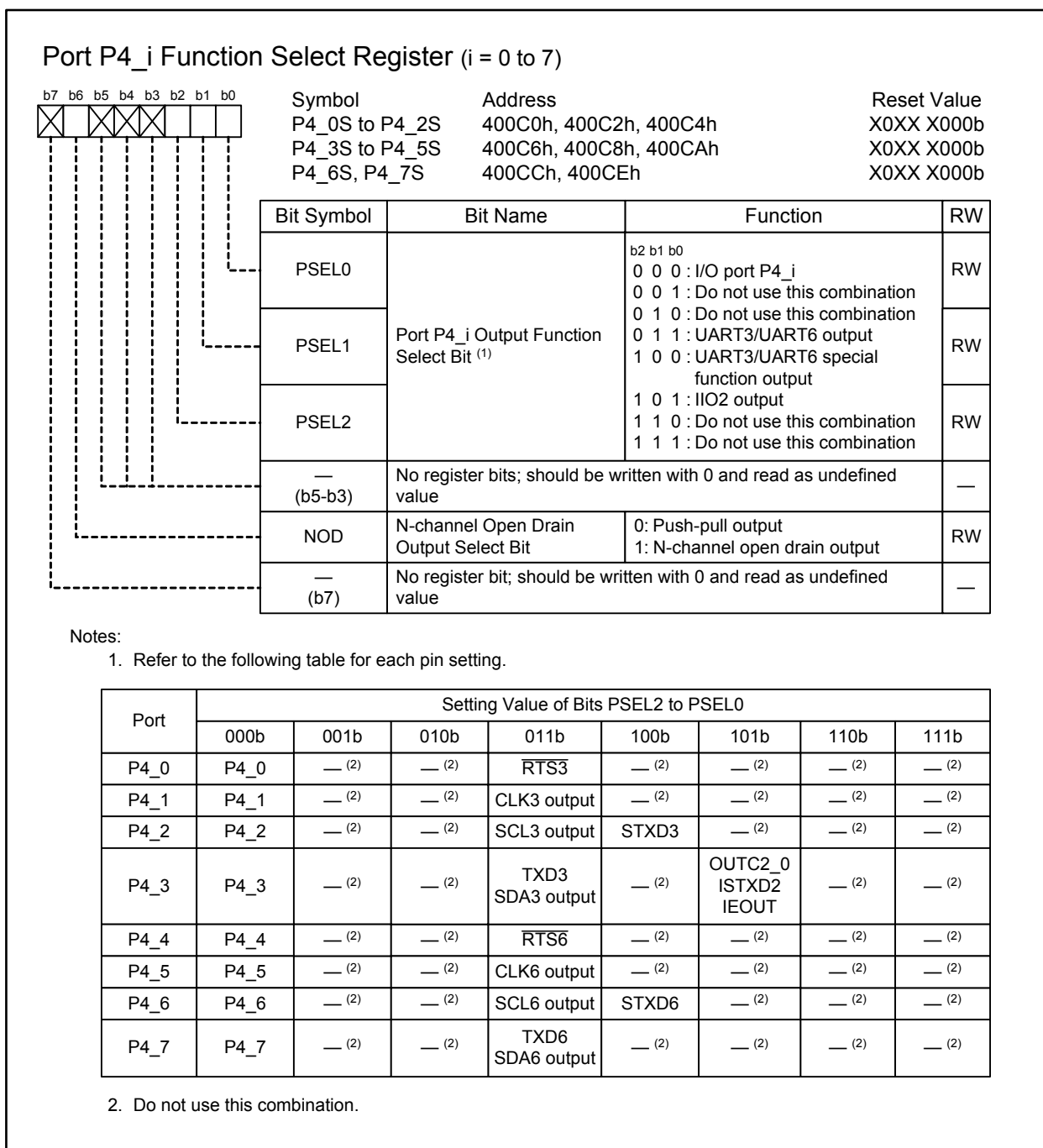


Figure 25.7 Registers P4_0S to P4_7S

Port P4_i shares a pin with the serial interface (UART3 and UART6) and intelligent I/O group 2 (IIO2) (i = 0 to 7).

To use it as an output pin, set the PD4_i bit to 1 (port P4_i functions as an output port) and select a function according to Figure 25.7. To use it as an input pin, set the PD4_i bit to 0 (port P4_i functions as an input port).

Ports P4_0 to P4_7 are 5 V tolerant inputs. To use them as I/O pins with 5 V tolerant input enabled, set the NOD bit to 1.

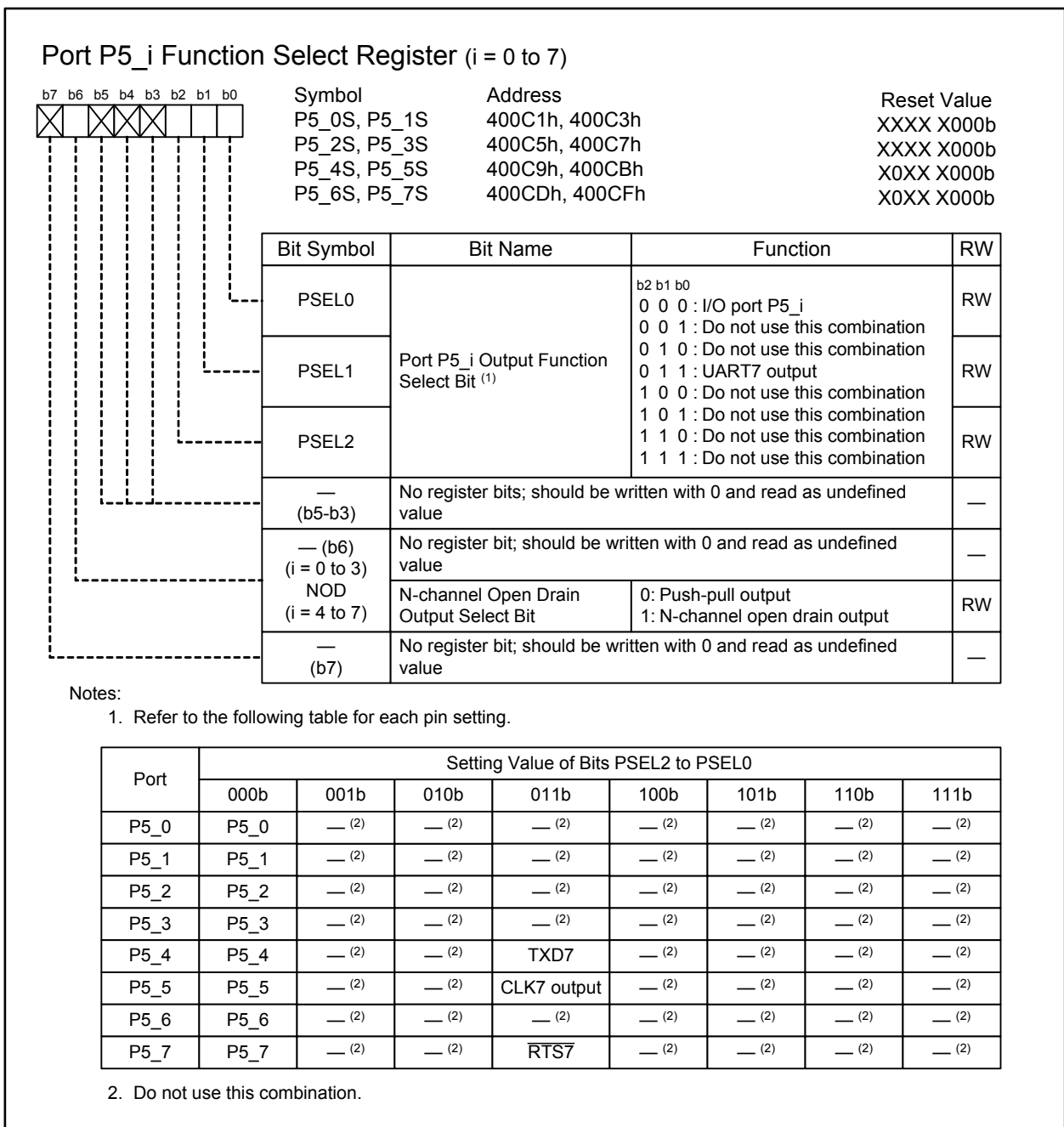


Figure 25.8 Registers P5_0S to P5_7S

Port P5_i shares a pin with the serial interface (UART7) (i = 0 to 7).

To use it as an output pin, set the PD5_i bit to 1 (port P5_i functions as an output port) and select a function according to Figure 25.8. To use it as an input pin, set the PD5_i bit to 0 (port P5_i functions as an input port).

Ports P5₄ to P5₇ are 5 V tolerant inputs. To use them as I/O pins with 5 V tolerant input enabled, set the NOD bit to 1.

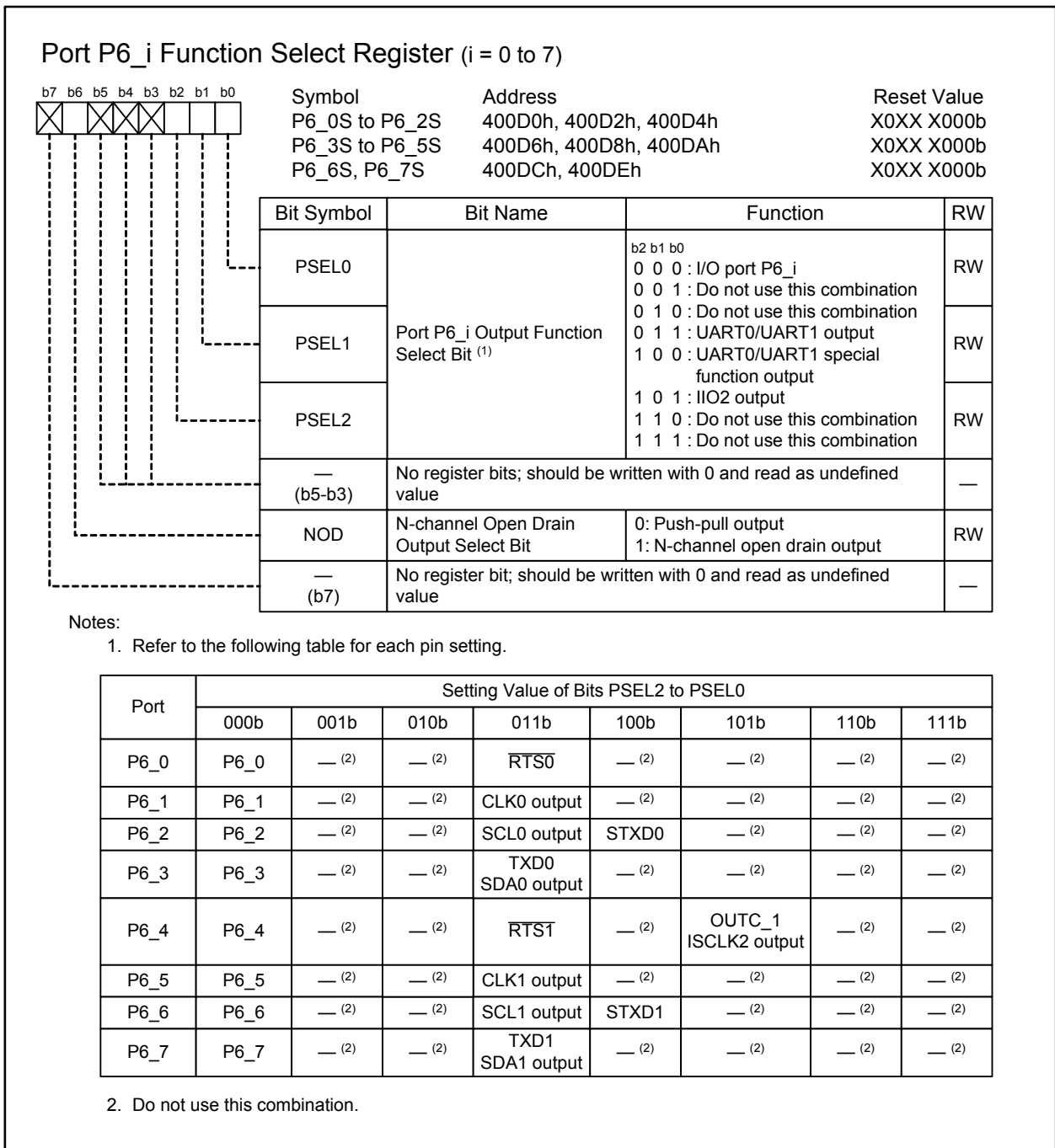


Figure 25.9 Registers P6_0S to P6_7S

Port P6_i shares a pin with the serial interface (UART0 and UART1) and intelligent I/O group 2 (IIO2) (i = 0 to 7).

To use it as an output pin, set the PD6_i bit to 1 (port P6_i functions as an output port) and select a function according to Figure 25.9. To use it as an input pin, set the PD6_i bit to 0 (port P6_i functions as an input port).

Ports P6_0 to P6_7 are 5 V tolerant inputs. To use them as I/O pins with 5 V tolerant input enabled, set the NOD bit to 1.

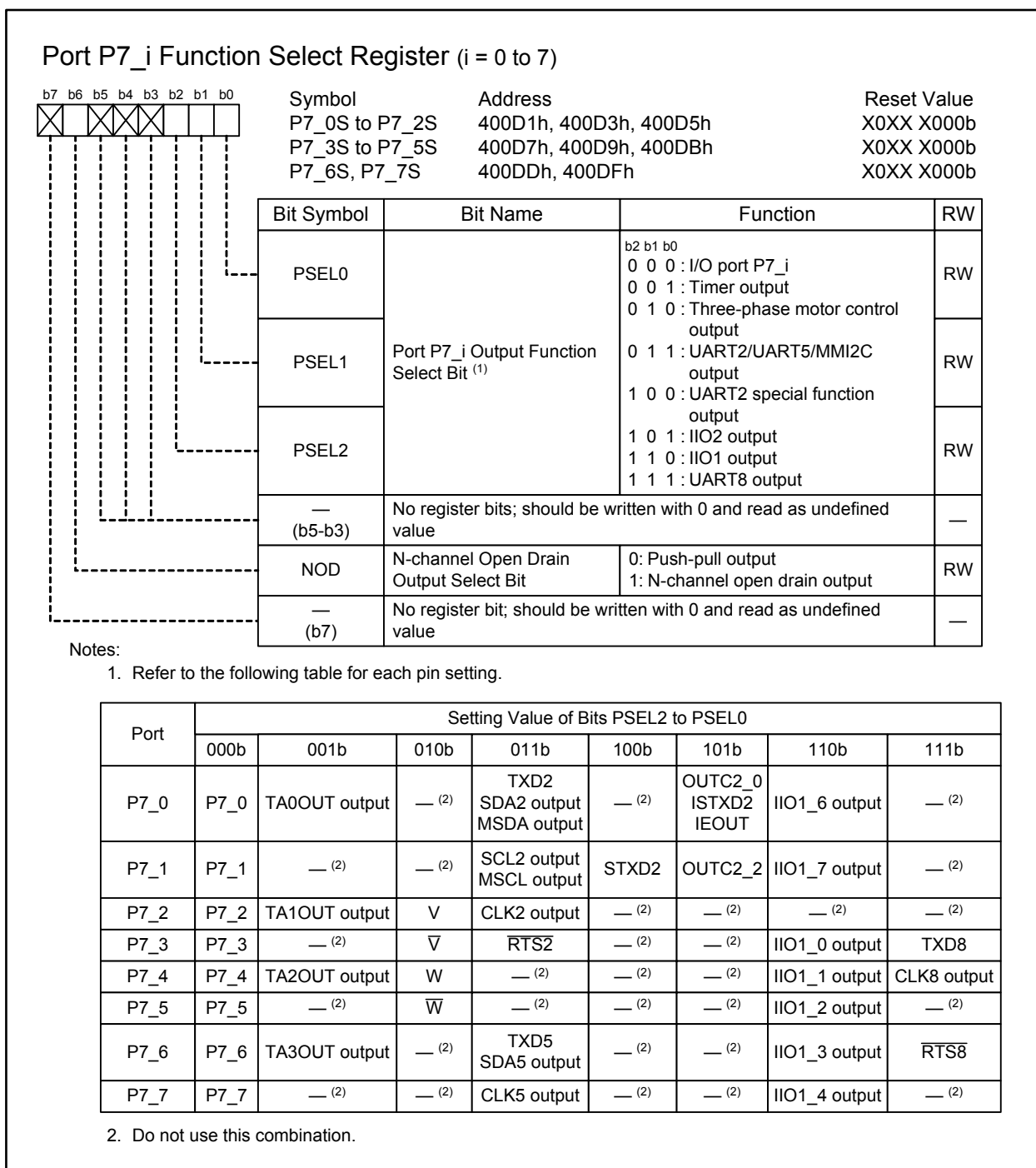


Figure 25.10 Registers P7_0S to P7_7S

Port P7_i shares a pin with the timer, three-phase motor control, serial interface (UART2, UART5, and UART8), multi-master I²C-bus interface (MMI2C), and intelligent I/O groups 1 and 2 (IIO1 and IIO2) (i = 0 to 7).

To use it as an output pin, set the PD7_i bit to 1 (port P7_i functions as an output port) and select a function according to Figure 25.10. To use it as an input pin, set the PD7_i bit to 0 (port P7_i functions as an input port).

Ports P7₀ to P7₇ are 5 V tolerant inputs. To use them as I/O pins with 5 V tolerant input enabled, set the NOD bit to 1.

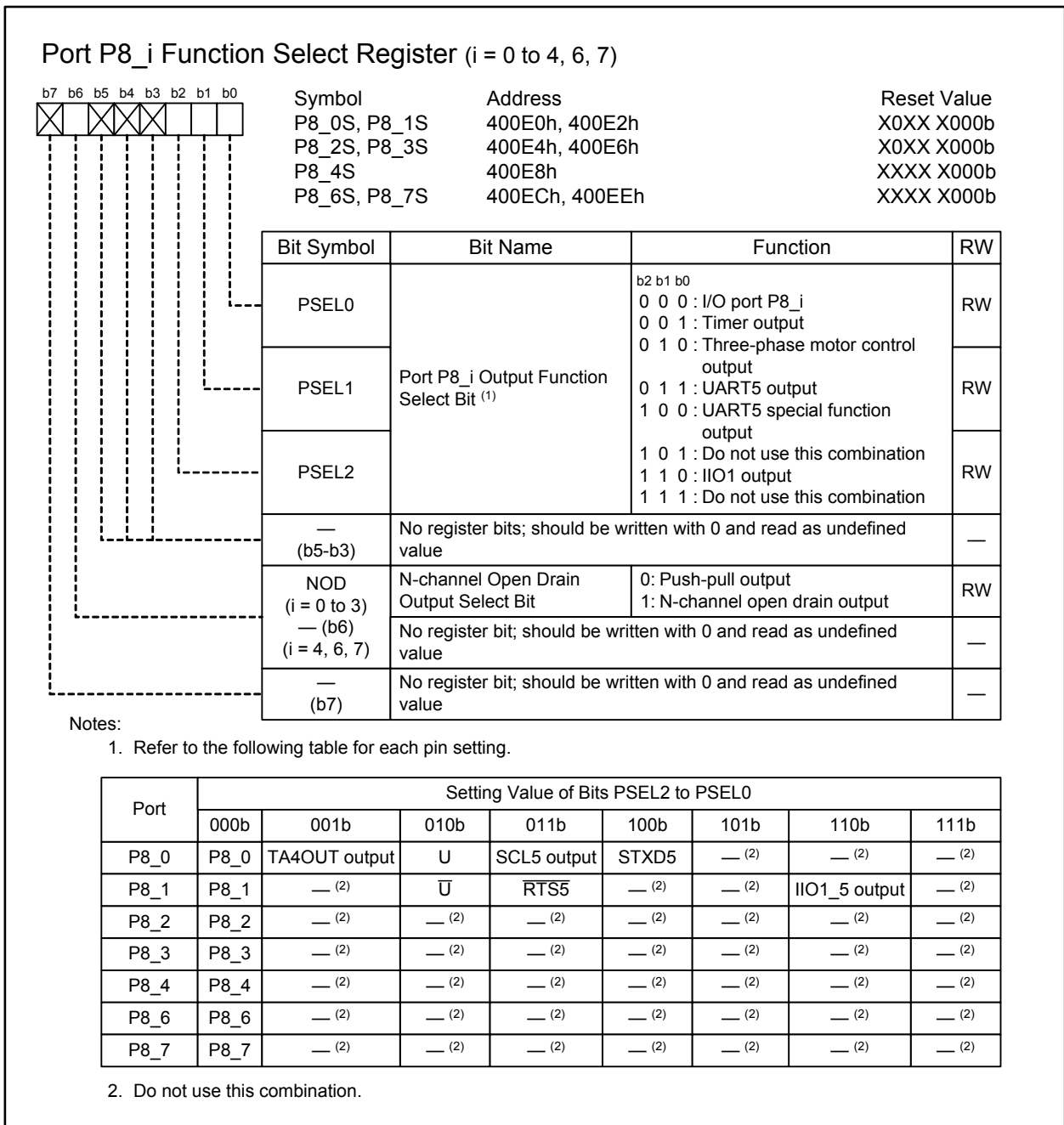


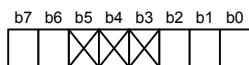
Figure 25.11 Registers P8_0S to P8_4S, P8_6S, and P8_7S

Port P8_i shares a pin with the timer, three-phase motor control, serial interface (UART5), intelligent I/O group 1 (IIO1), and external interrupt inputs (i = 0 to 4, 6, 7).

To use it as an output pin, set the PD8_i bit to 1 (port P8_i functions as an output port) and select a function according to Figure 25.11. To use it as an input pin, set the PD8_i bit to 0 (port P8_i functions as an input port).

Ports P8₀ to P8₃ are 5 V tolerant inputs. To use them as I/O pins with 5 V tolerant input enabled, set the NOD bit to 1.

Port P9_i Function Select Register (i = 0 to 7)⁽¹⁾



Symbol	Address	Reset Value
P9_0S to P9_2S	400E1h, 400E3h, 400E5h	X0XX X000b
P9_3S to P9_5S	400E7h, 400E9h, 400EBh	00XX X000b
P9_6S	400EDh	00XX X000b
P9_7S	400EFh	X0XX X000b

Bit Symbol	Bit Name	Function	RW
PSEL0	Port P9 _i Output Function Select Bit ⁽²⁾	b2 b1 b0 0 0 0 : I/O port P9 _i 0 0 1 : Do not use this combination 0 1 0 : Do not use this combination 0 1 1 : UART3/UART4 output 1 0 0 : UART3/UART4 special function output 1 0 1 : IIO2 output 1 1 0 : Do not use this combination 1 1 1 : Do not use this combination	RW
PSEL1		RW	
PSEL2		RW	
— (b5-b3)	No register bits; should be written with 0 and read as undefined value		—
NOD	N-channel Open Drain Output Select Bit	0: Push-pull output 1: N-channel open drain output	RW
— (b7) (i = 0 to 2, 7) ASEL (i = 3 to 6)	Port P9 _i (i = 3 to 6) Analog Functions Select Bit	0: Function other than Analog pin 1: Analog pin	RW

Notes:

1. Set the PRC2 bit in the PRCR register to 1 (write enabled) just before rewriting this register. No interrupt handling or DMA transfers should be inserted between these two instructions.
2. Refer to the following table for each pin setting.

Port	Setting Value of Bits PSEL2 to PSEL0							
	000b	001b	010b	011b	100b	101b	110b	111b
P9_0	P9_0	— ⁽³⁾	— ⁽³⁾	CLK3 output	— ⁽³⁾	— ⁽³⁾	— ⁽³⁾	— ⁽³⁾
P9_1	P9_1	— ⁽³⁾	— ⁽³⁾	SCL3 output	STXD3	— ⁽³⁾	— ⁽³⁾	— ⁽³⁾
P9_2	P9_2	— ⁽³⁾	— ⁽³⁾	TXD3 SDA3 output	— ⁽³⁾	OUTC2_0 ISTXD2 IEOUT	— ⁽³⁾	— ⁽³⁾
P9_3	P9_3	— ⁽³⁾	— ⁽³⁾	RTS3	— ⁽³⁾	— ⁽³⁾	— ⁽³⁾	— ⁽³⁾
P9_4	P9_4	— ⁽³⁾	— ⁽³⁾	RTS4	— ⁽³⁾	— ⁽³⁾	— ⁽³⁾	— ⁽³⁾
P9_5	P9_5	— ⁽³⁾	— ⁽³⁾	CLK4 output	— ⁽³⁾	— ⁽³⁾	— ⁽³⁾	— ⁽³⁾
P9_6	P9_6	— ⁽³⁾	— ⁽³⁾	TXD4 SDA4 output	— ⁽³⁾	— ⁽³⁾	— ⁽³⁾	— ⁽³⁾
P9_7	P9_7	— ⁽³⁾	— ⁽³⁾	SCL4 output	STXD4	— ⁽³⁾	— ⁽³⁾	— ⁽³⁾

3. Do not use this combination.

Figure 25.12 Registers P9_0S to P9_7S (144-pin package)

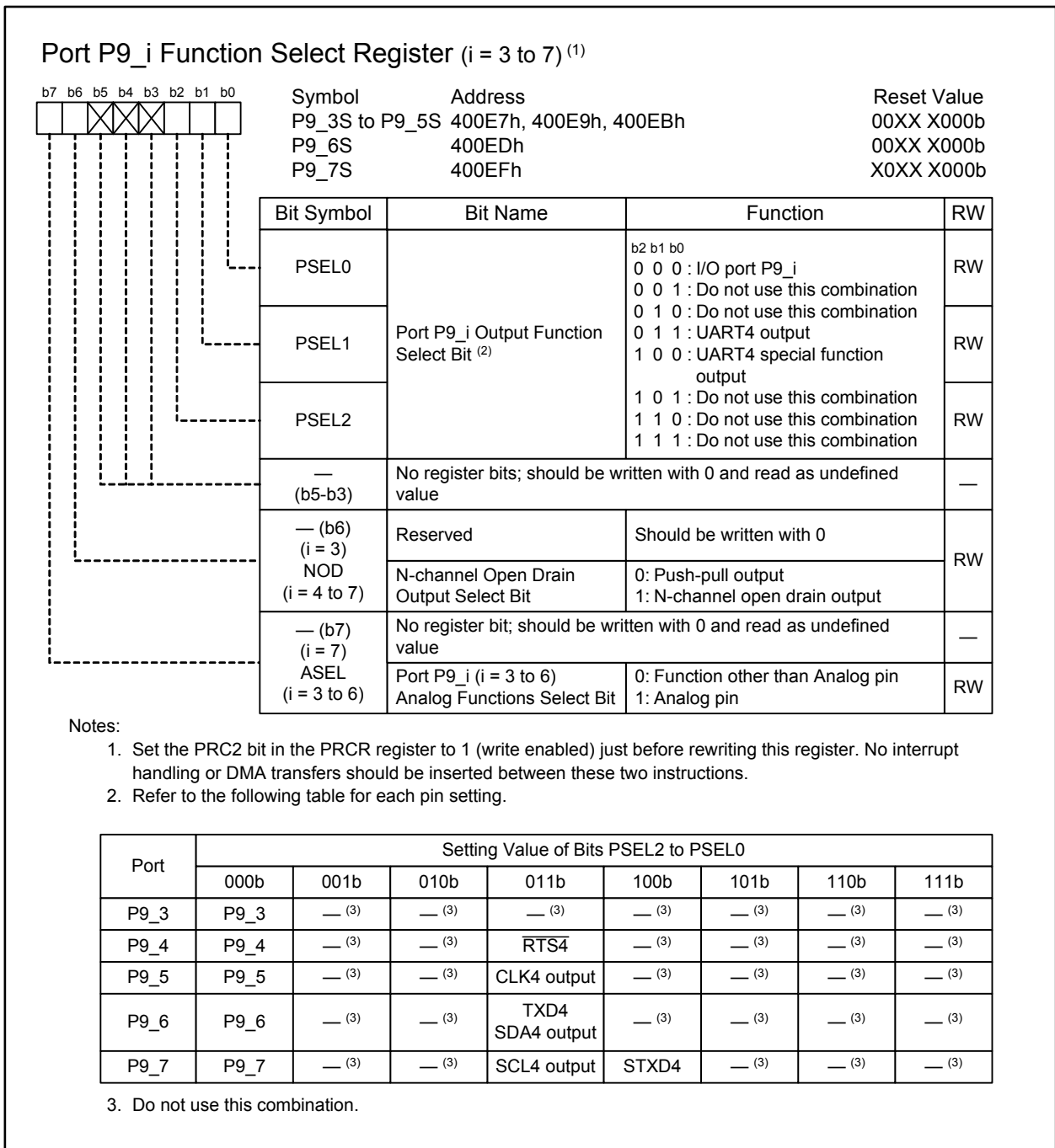


Figure 25.13 Registers P9_3S to P9_7S (100-pin package)

Port P9_i shares a pin with the serial interface (UART3 and UART4) and intelligent I/O group 2 (IIO2) (i = 0 to 7). Ports P9_3 to P9_6 also share a pin with the A/D converter I/O (ANEX0 and ANEX1) and D/A converter output.

To use it as the A/D converter pin or the D/A converter pin, set the P9_iS register to 80h and the PD9_i bit to 0 (port P9_i functions as an input port) irrespective of the I/O state.

To use it as an output pin for functions other than the A/D converter or the D/A converter, set the PD9_i bit to 1 (port P9_i functions as an output port) and select a function according to Figure 25.12. To use it as an input pin of functions other than the A/D converter or the D/A converter, set the PD9_i bit to 0 (port P9_i functions as an input port).

When the NOD bit is set to 1, the corresponding pin functions as an N-channel open drain output.

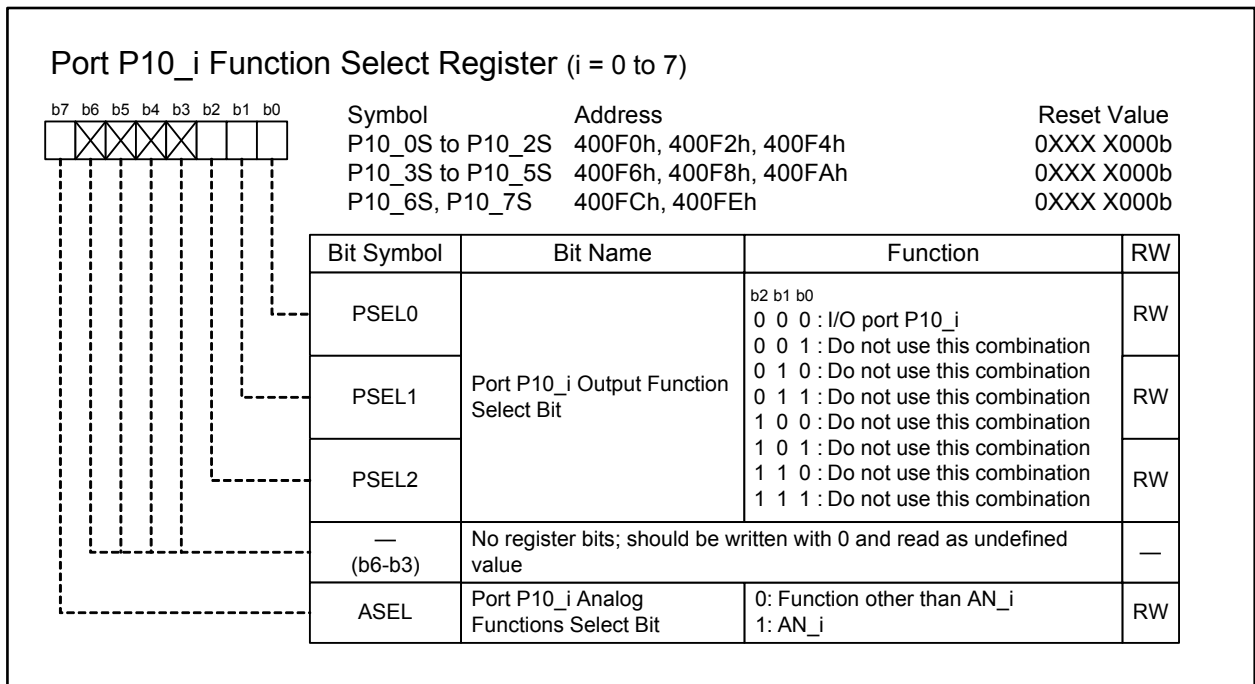


Figure 25.14 Registers P10_0S to P10_7S

Port P10_i shares a pin with the AN_i input for the A/D converter and key input interrupts (i = 0 to 7).

To use it as a programmable I/O port, set the P10_iS register to 00h. To use it as an input pin (except for the A/D converter), set the PD10_i bit to 0 (port P10_i functions as an input port). To use it as an input pin for the A/D converter, set the P10_iS register to 80h and the PD10_i bit to 0 (port P10_i functions as an input port).

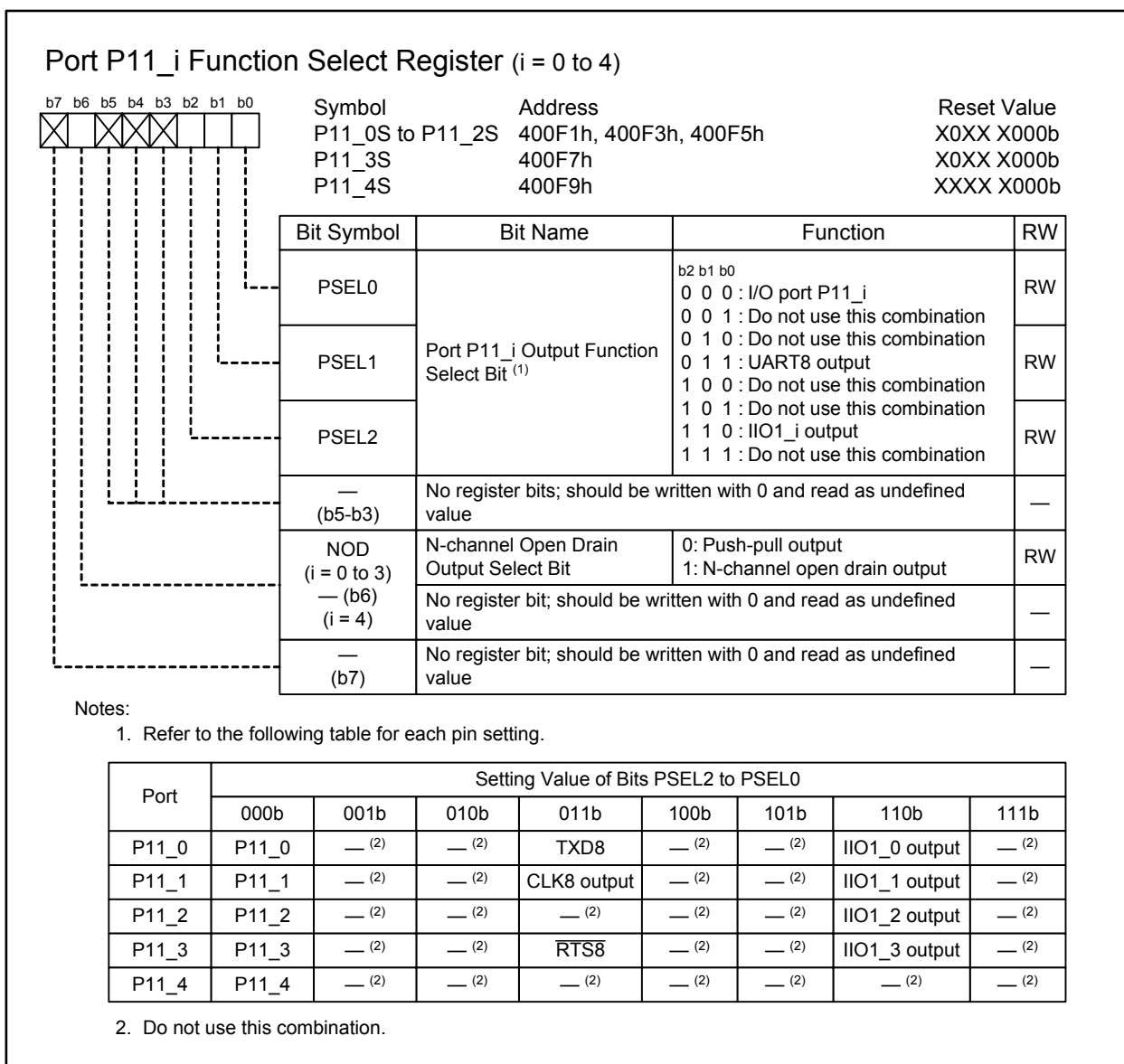


Figure 25.15 Registers P11_0S to P11_4S

Port P11_i shares a pin with the serial interface (UART8) and intelligent I/O group 1 (IIO1) (i = 0 to 4).

To use it as an output pin, set the PD11_i bit to 1 (port P11_i functions as an output port) and select a function according to Figure 25.15. To use it as an input pin, set the PD11_i bit to 0 (port P11_i functions as an input port).

To use as an N-channel open drain output, set the NOD bit to 1.

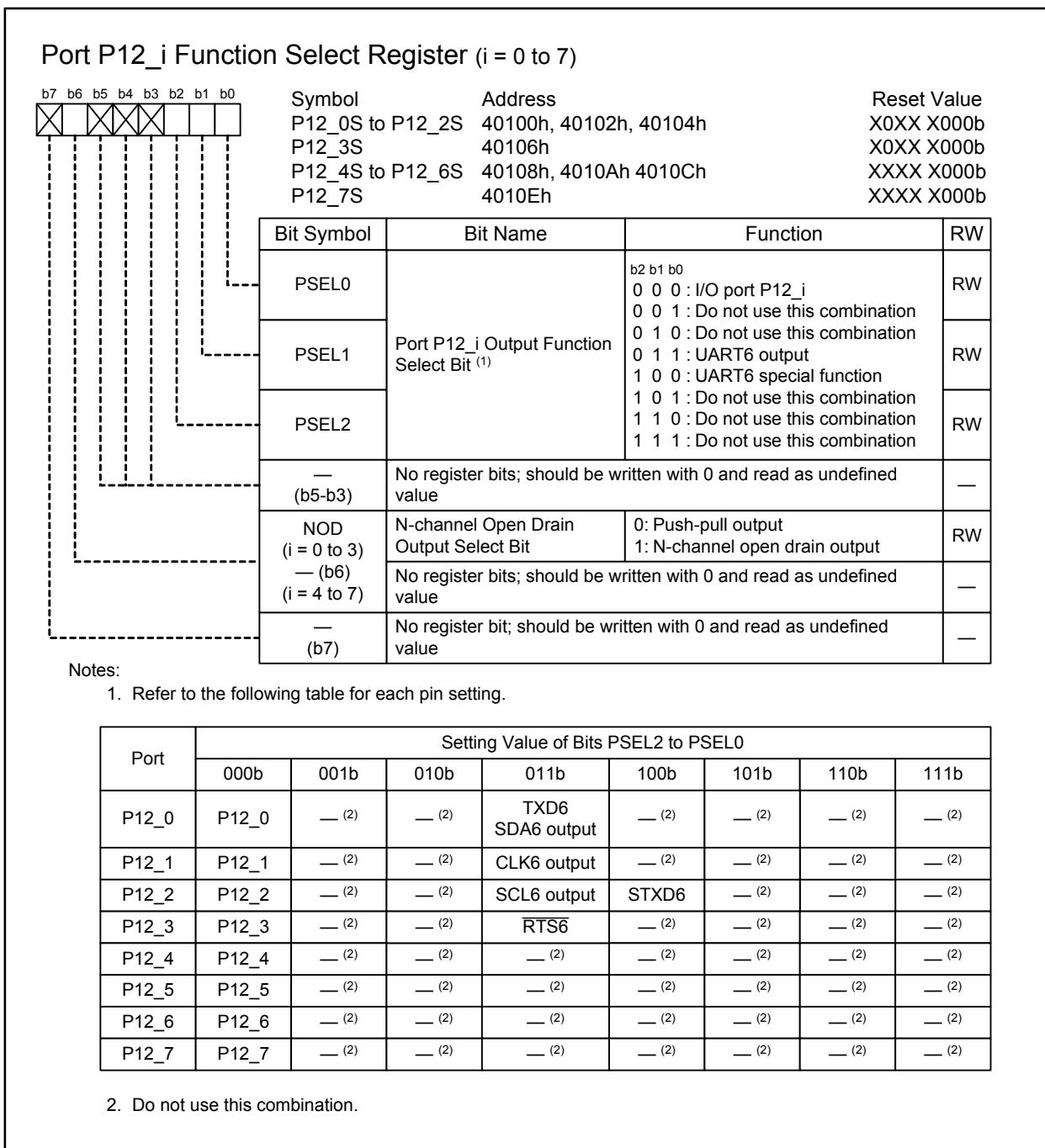


Figure 25.16 Registers P12_0S to P12_7S

Port P12_i shares a pin with the serial interface (UART6) (i = 0 to 7).

To use it as an output pin, set the PD12_i bit to 1 (port P12_i functions as an output port) and select a function according to Figure 25.16. To use it as an input pin, set the PD12_i bit to 0 (port P12_i functions as an input port).

When the NOD bit is set to 1, the corresponding pin functions as an N-channel open drain output.

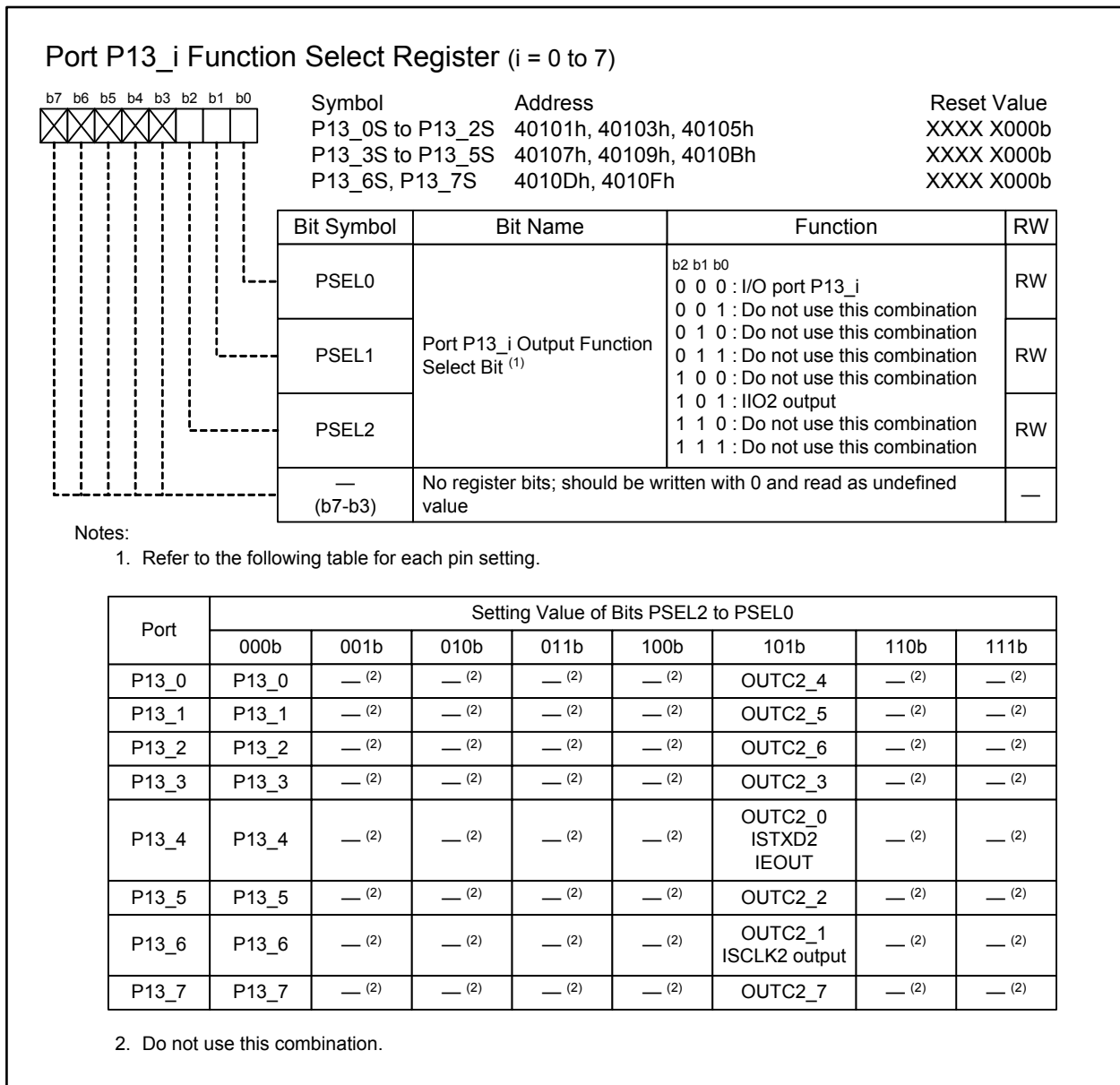


Figure 25.17 Registers P13_0S to P13_7S

Port P13_i shares a pin with intelligent I/O group 2 (IIO2) (i = 0 to 7).

To use it as an output pin, set the PD13_i bit to 1 (port P13_i functions as an output port) and select a function according to Figure 25.17. To use it as an input pin, set the PD13_i bit to 0 (port P13_i functions as an input port).

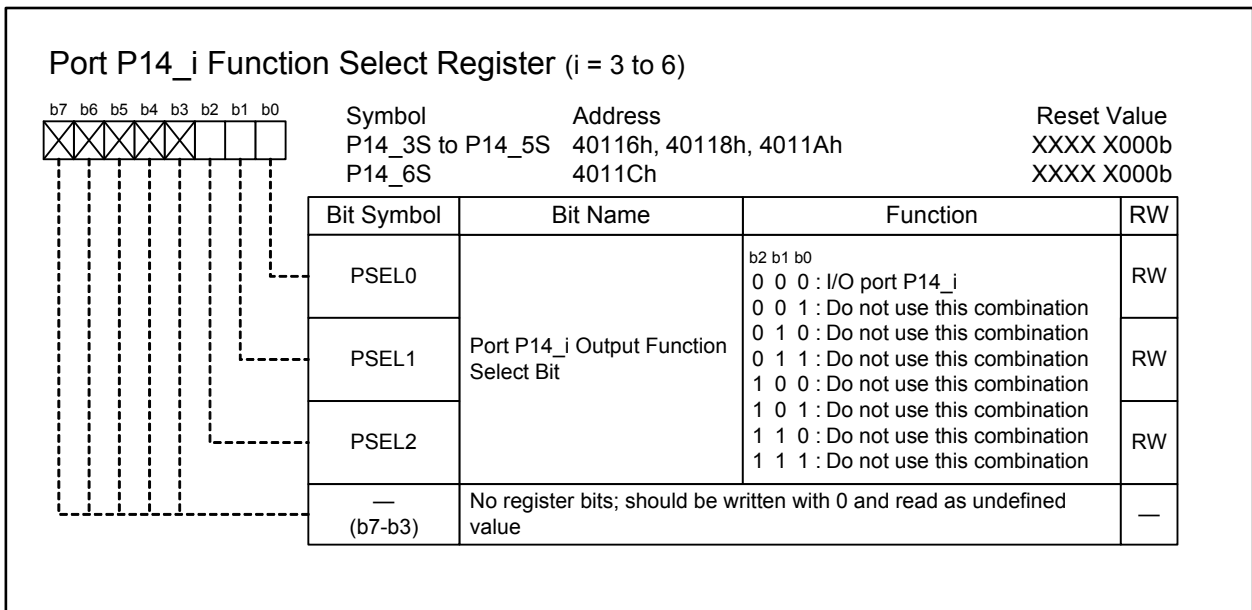


Figure 25.18 Registers P14_3S to P14_6S

Port P14_i shares a pin with external interrupt inputs. Set the P14_iS register to 00h (I/O port) (i = 3 to 6).

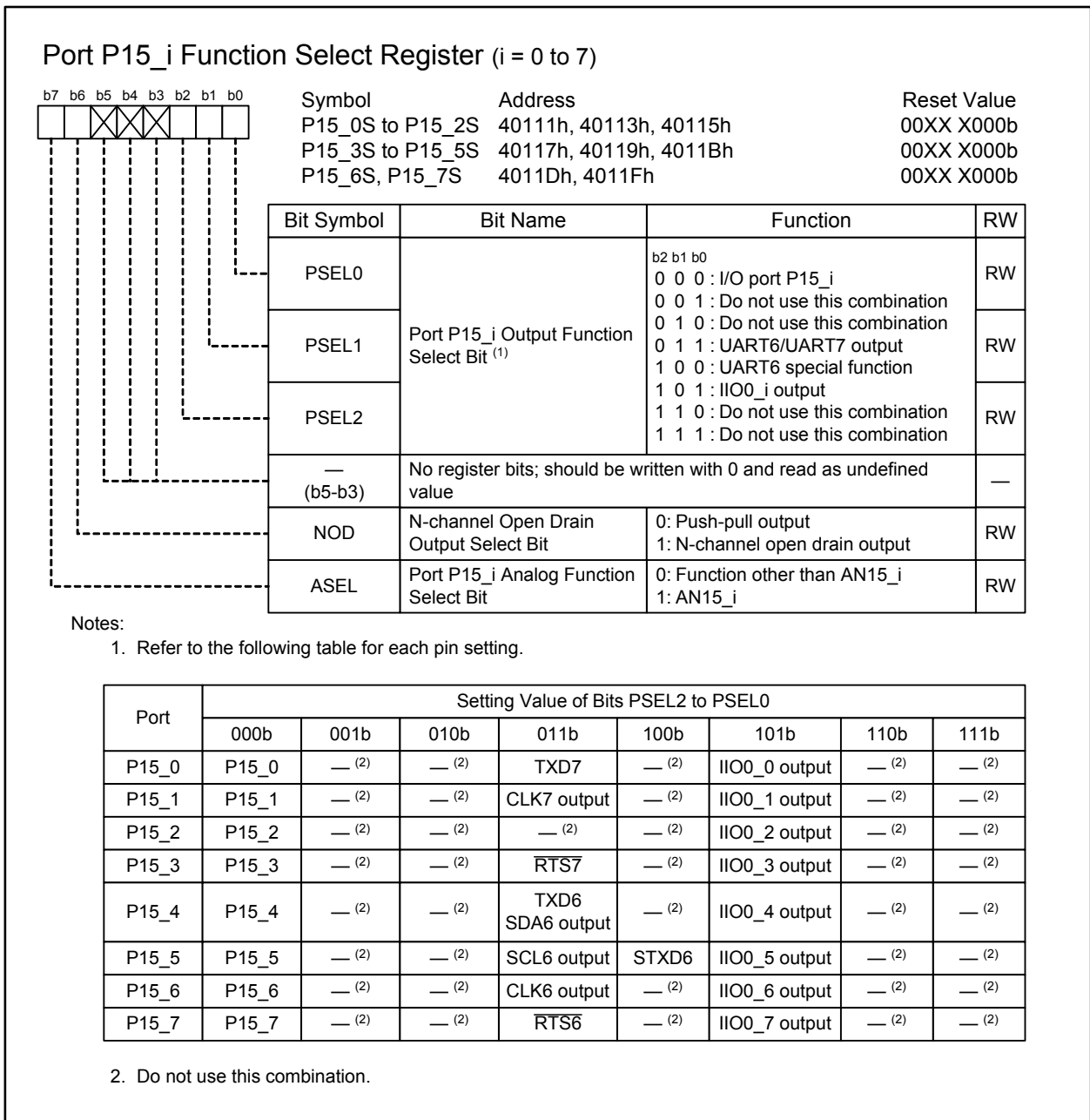


Figure 25.19 Registers P15_0S to P15_7S

Port P15_i shares a pin with the serial interface (UART6 and UART7), intelligent I/O group 0 (IIO0), and AN15_i input for the A/D converter (i = 0 to 7).

To use it as an output pin, set the PD15_i bit to 1 (port P15_i functions as an output port) and select a function according to Figure 25.19. To use it as an input pin (except for the A/D converter), set the PD15_i bit to 0 (port P15_i functions as an input port). To use it as an input pin for the A/D converter, set the P15_iS register to 80h and the PD15_i bit to 0.

To use as an N-channel open drain output, set the NOD bit to 1.

25.3 Input Function Select Registers

When a peripheral input is assigned to multiple pins, these registers select which input pin should be connected to the peripheral.

Figures 25.20 to 25.22 show the input function select registers.

Input Function Select Register 0

	Symbol IFS0	Address 40098h	Reset Value X000 0000b	
	Bit Symbol	Bit Name	Function	RW
	IFS00	Timer A Input Pin Switch Bit ⁽¹⁾	Assign timer A input to 0: Port P3 1: Port P7/port P8	RW
	IFS01	Timer B Input Pin Switch Bit ⁽²⁾	Assign timer B input to 0: Port P6 1: Port P9	RW
	IFS02	UART6 Input Pin Switch Bit ⁽³⁾	Assign UART6 input to b3 b2 0 0 : Port P4 0 1 : Do not use this combination 1 0 : Port P15 1 1 : Port P12	RW
	IFS03			RW
	IFS04	UART8 Input Pin Switch Bit ⁽⁴⁾	Assign UART8 input to 0: Port P7 1: Port P11	RW
	IFS05	UART7 Input Pin Switch Bit ⁽⁵⁾	Assign UART7 input to 0: Port P5 1: Port P15	RW
	IFS06	UART3 Input Pin Switch Bit ⁽⁶⁾	Assign UART3 input to 0: Port P4 1: Port P9	RW
	— (b7)	No register bit; should be written with 0 and read as undefined value		—

Notes:

1. Refer to the following table for each pin setting of timer A.

IFS00	TA0OUT input	TA1OUT input	TA1IN	TA2OUT input	TA2IN	TA3OUT input	TA4OUT input	TA4IN
0	P3_0	P3_2	P3_3	P3_4	P3_5	P3_1	P3_6	P3_7
1	P7_0	P7_2	P7_3	P7_4	P7_5	P7_6	P8_0	P8_1

2. Refer to the following table for each pin setting of timer B. This bit should be set to 0 in the 100-pin package.

IFS01	TB0IN	TB1IN	TB2IN
0	P6_0	P6_1	P6_2
1	P9_0	P9_1	P9_2

3. Refer to the following table for each pin setting of UART6. This bit should be set to 00b in the 100-pin package.

IFS03	IFS02	SDA6 input/SRXD6	RXD6/SCL6 input	CLK6 input	CTS6/SS6
0	0	P4_7	P4_6	P4_5	P4_4
1	0	P15_4	P15_5	P15_6	P15_7
1	1	P12_0	P12_2	P12_1	P12_3

4. Refer to the following table for each pin setting of UART8. This bit should be set to 00b in the 100-pin package.

IFS04	CLK8 input	RXD8	CTS8
0	P7_4	P7_5	P7_6
1	P11_1	P11_2	P11_3

5. Refer to the following table for each pin setting of UART7. This bit should be set to 00b in the 100-pin package.

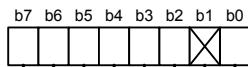
IFS05	CLK7 input	RXD7	CTS7
0	P5_5	P5_6	P5_7
1	P15_1	P15_2	P15_3

6. Refer to the following table for each pin setting of UART3. This bit should be set to 00b in the 100-pin package.

IFS06	SDA3 input/SRXD3	RXD3/SCL3 input	CLK3 input	CTS3/SS3
0	P4_3	P4_2	P4_1	P4_0
1	P9_2	P9_1	P9_0	P9_3

Figure 25.20 IFS0 Register

Input Function Select Register 2



Symbol
IFS2

Address
4009Ah

Reset Value
0000 00X0b

Bit Symbol	Bit Name	Function	RW
IFS20	Intelligent I/O Group 0 Input Pin Switch Bit ⁽¹⁾	Assign IIO0 input to 0: Port P1 1: Port P15	RW
— (b1)	No register bit; should be written with 0 and read as undefined value		—
IFS22	Intelligent I/O Group 0 Two-phase Pulse Input Pin Switch Bit ⁽²⁾	Assign this input to b3 b2 0 0 : Port P8 and $\overline{INT1}$ 0 1 : Port P7 and $\overline{INT0}$ 1 0 : Port P3 and $\overline{INT1}$ 1 1 : Port P3 and $\overline{INT0}$	RW
IFS23			RW
IFS24	Intelligent I/O Group 1 Input Pin Switch Bit ⁽³⁾	Assign IIO1 input to b5 b4 0 0 : Port P7/port P8 0 1 : Port P11 1 0 : Port P1 1 1 : Do not use this combination	RW
IFS25			RW
IFS26	Intelligent I/O Group 1 Two-phase Pulse Input Pin Switch Bit ⁽⁴⁾	Assign this input to b7 b6 0 0 : Port P8 and $\overline{INT1}$ 0 1 : Port P7 and $\overline{INT0}$ 1 0 : Port P3 and $\overline{INT1}$ 1 1 : Port P3 and $\overline{INT0}$	RW
IFS27			RW

Notes:

1. Refer to the following table for each pin setting of intelligent I/O group 0. This bit should be set to 0 in the 100-pin package.

IFS20	IIO0_0 input	IIO0_1 input	IIO0_2 input	IIO0_3 input	IIO0_4 input	IIO0_5 input	IIO0_6 input	IIO0_7 input
0	P1_0	P1_1	P1_2	P1_3	P1_4	P1_5	P1_6	P1_7
1	P15_0	P15_1	P15_2	P15_3	P15_4	P15_5	P15_6	P15_7

2. Refer to the following table for each pin setting of intelligent I/O group 0 in two-phase pulse signal processing mode.

IFS23	IFS22	UD0A	UD0B	UD0Z
0	0	P8_0	P8_1	P8_3 ($\overline{INT1}$)
0	1	P7_6	P7_7	P8_2 ($\overline{INT0}$)
1	0	P3_0	P3_1	P8_3 ($\overline{INT1}$)
1	1	P3_0	P3_1	P8_2 ($\overline{INT0}$)

3. Refer to the following table for each pin setting of intelligent I/O group 1. This bit should not be set to 01b in the 100-pin package.

IFS25	IFS24	IIO1_0 input	IIO1_1 input	IIO1_2 input	IIO1_3 input	IIO1_4 input	IIO1_5 input	IIO1_6 input	IIO1_7 input
0	0	P7_3	P7_4	P7_5	P7_6	P7_7	P8_1	P7_0	P7_1
0	1	P11_0	P11_1	P11_2	P11_3	—	—	—	—
1	0	P1_0	P1_1	P1_2	P1_3	P1_4	P1_5	P1_6	P1_7

4. Refer to the following table for each pin setting of intelligent I/O group 1 in two-phase pulse signal processing mode.

IFS27	IFS26	UD1A	UD1B	UD1Z
0	0	P8_0	P8_1	P8_3 ($\overline{INT1}$)
0	1	P7_6	P7_7	P8_2 ($\overline{INT0}$)
1	0	P3_0	P3_1	P8_3 ($\overline{INT1}$)
1	1	P3_0	P3_1	P8_2 ($\overline{INT0}$)

Figure 25.21 IFS2 Register

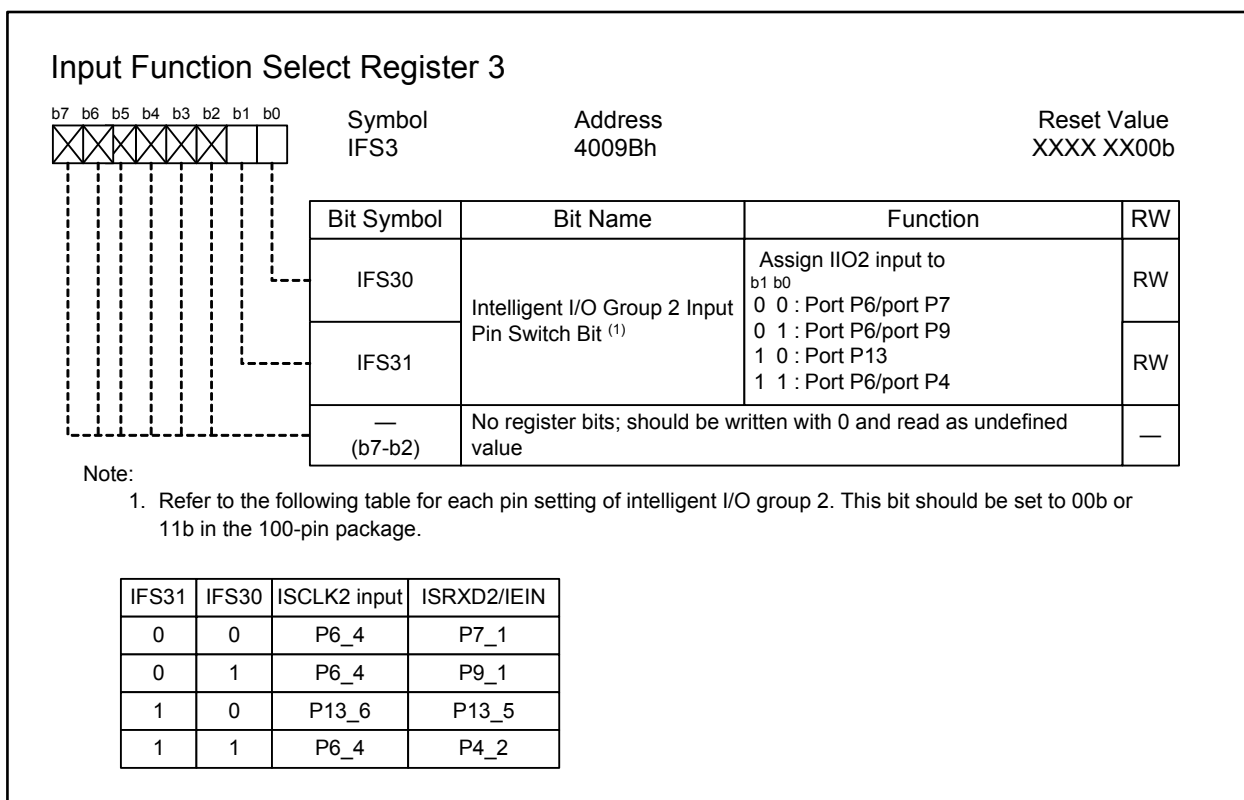


Figure 25.22 IFS3 Register

25.4 Pull-up Control Registers 0 to 4 (Registers PUR0 to PUR4)

Figures 25.23 to 25.27 show registers PUR0 to PUR4.

These registers enable/disable the pull-up resistors for every group of four pins. To enable the pull-up resistors, set the corresponding bits in registers PUR0 to PUR4 to 1 (pull-up resistor enabled) and the respective bits in the direction register to 0 (input).

In memory expansion mode or microprocessor mode, set 0 (pull-up resistor disabled) to the pull-up control bits for ports P0 to P5, and P11 to P13, operating as bus control pins. The pull-up resistors are enabled for ports P0, P1, and P11 to P13 when these pins function as input ports in these modes.

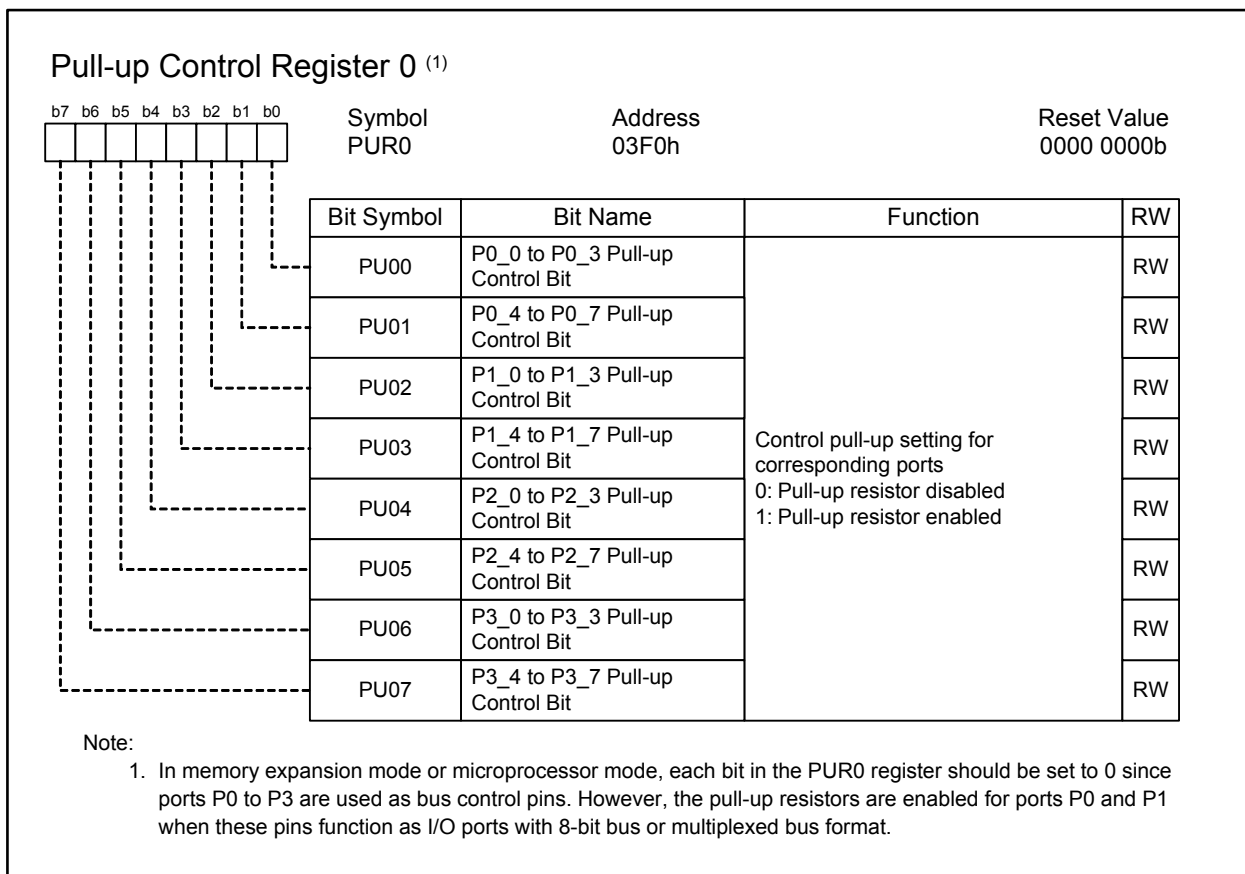


Figure 25.23 PUR0 Register

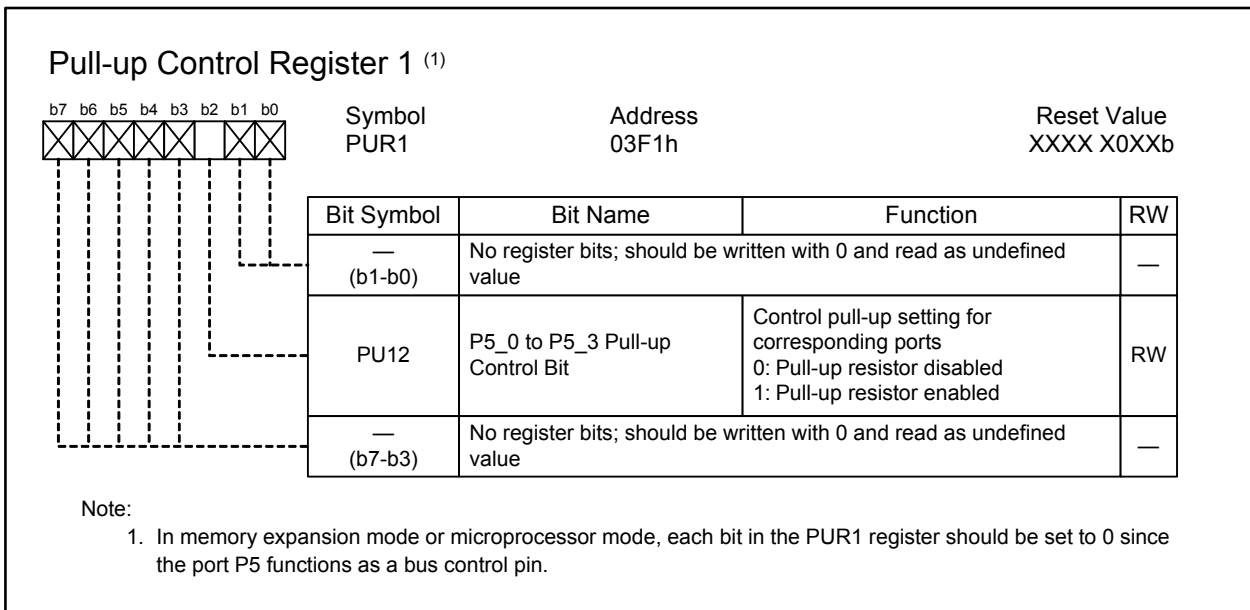


Figure 25.24 PUR1 Register

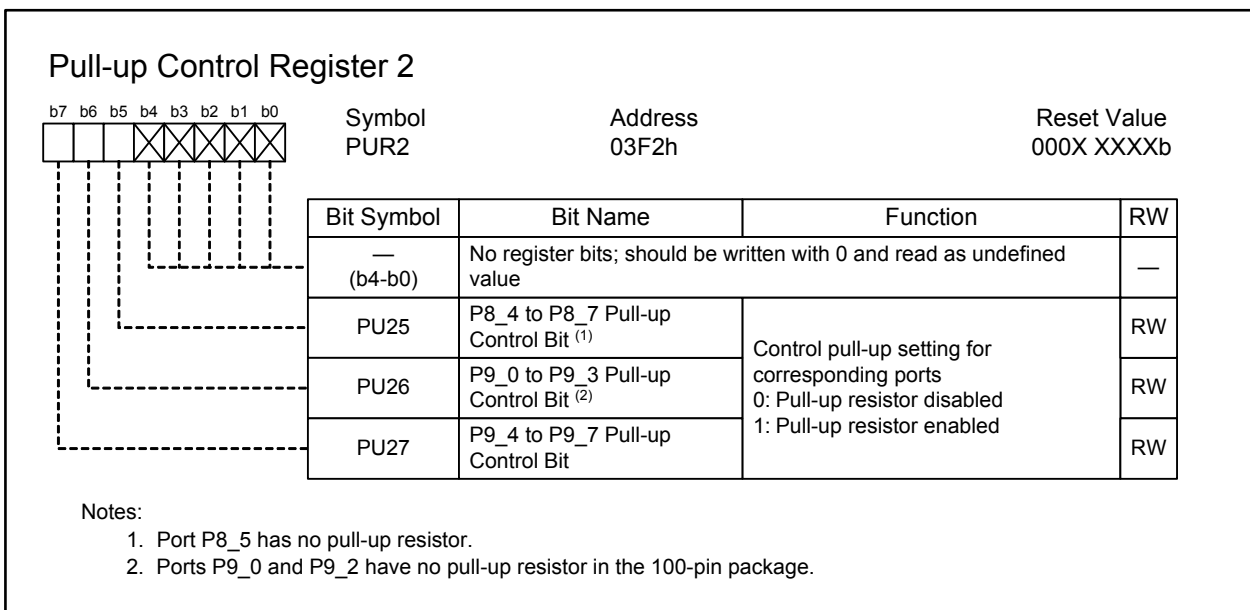


Figure 25.25 PUR2 Register

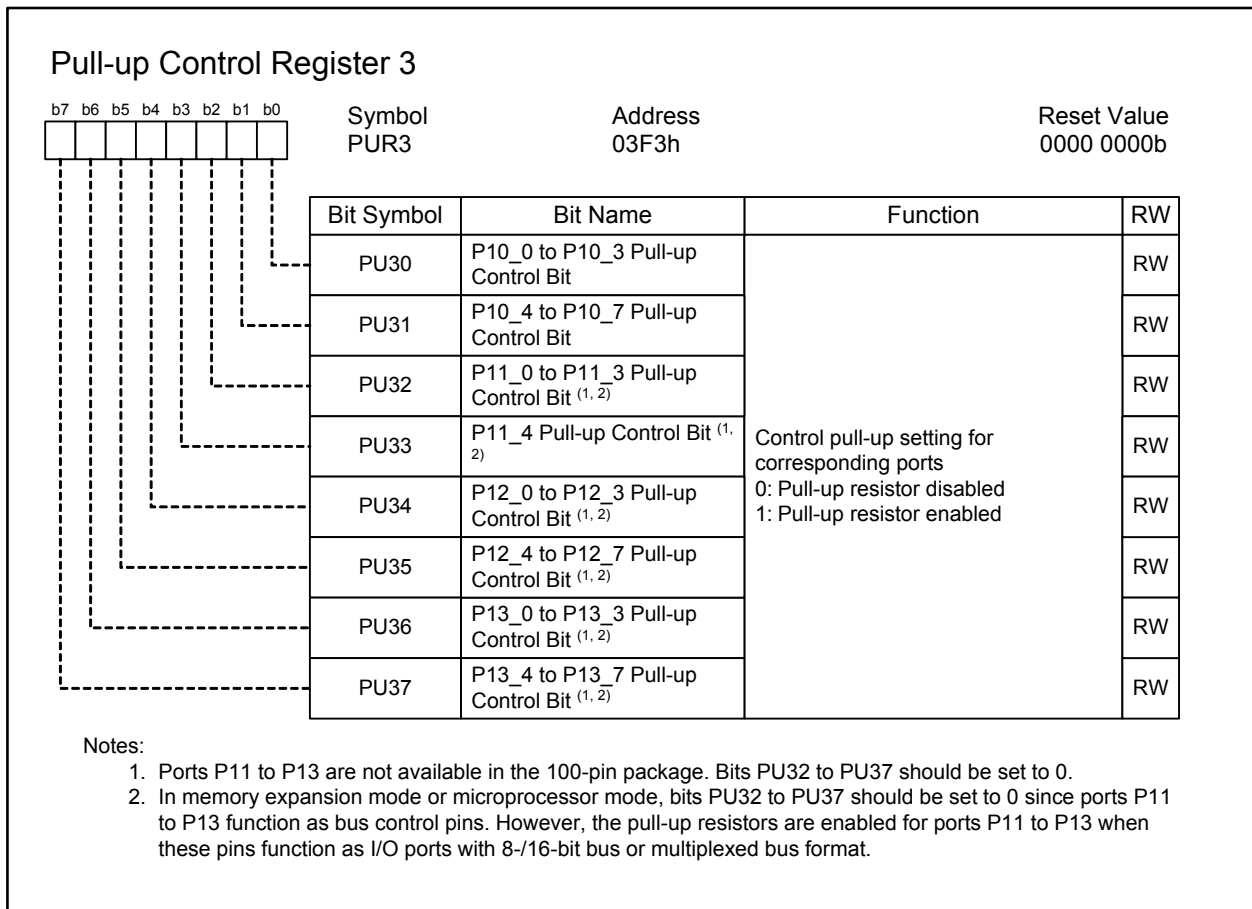


Figure 25.26 PUR3 Register

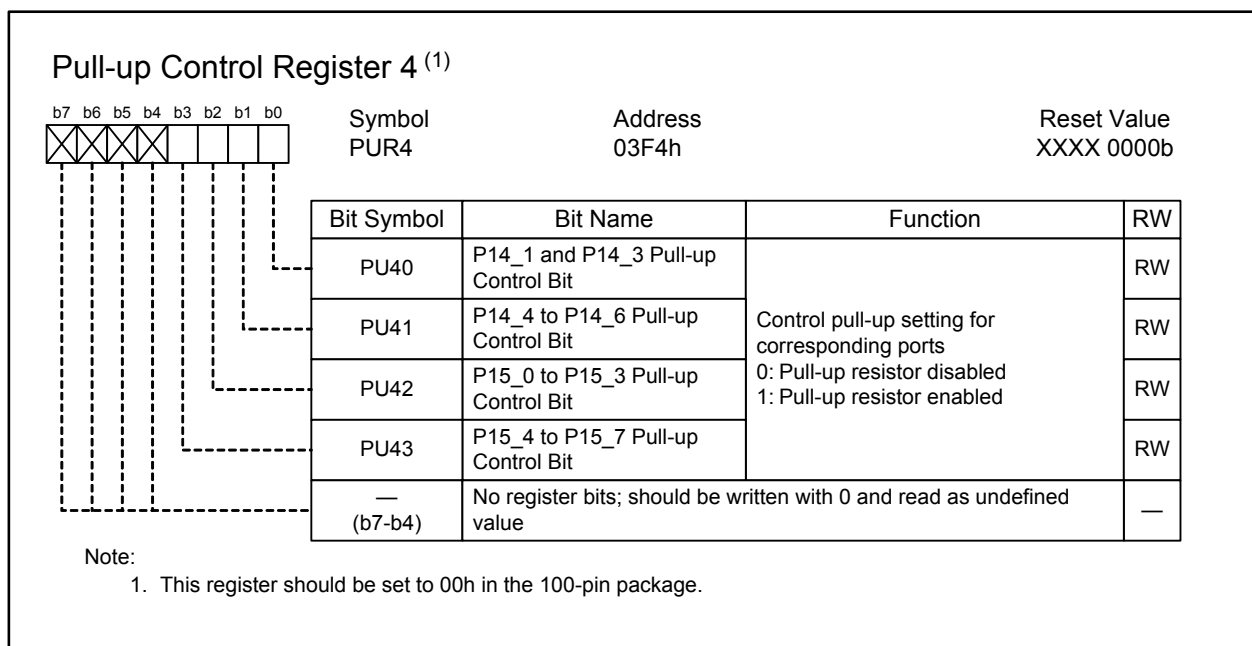


Figure 25.27 PUR4 Register

25.5 Port Control Register (PCR Register)

Figure 25.28 shows the PCR register.

This register selects an output mode for port P1 between push-pull output and pseudo-N-channel open drain output. When the PCR0 bit is set to 1, the P-channel transistor in the output buffer is turned off. Note that port P1 cannot be a perfect open drain output due to remaining parasitic diode. The absolute maximum rating of the input voltage is, therefore, -0.3 V to $V_{CC} + 0.3\text{ V}$ (refer to Figure 25.29).

In memory expansion mode or microprocessor mode, when port P1 is used for the data bus, the PCR0 bit should be set to 0. However, when port P1 is used as a programmable I/O port or an I/O pin for the peripheral functions, the output mode can be selected by setting the PCR0 bit even in these operating modes.

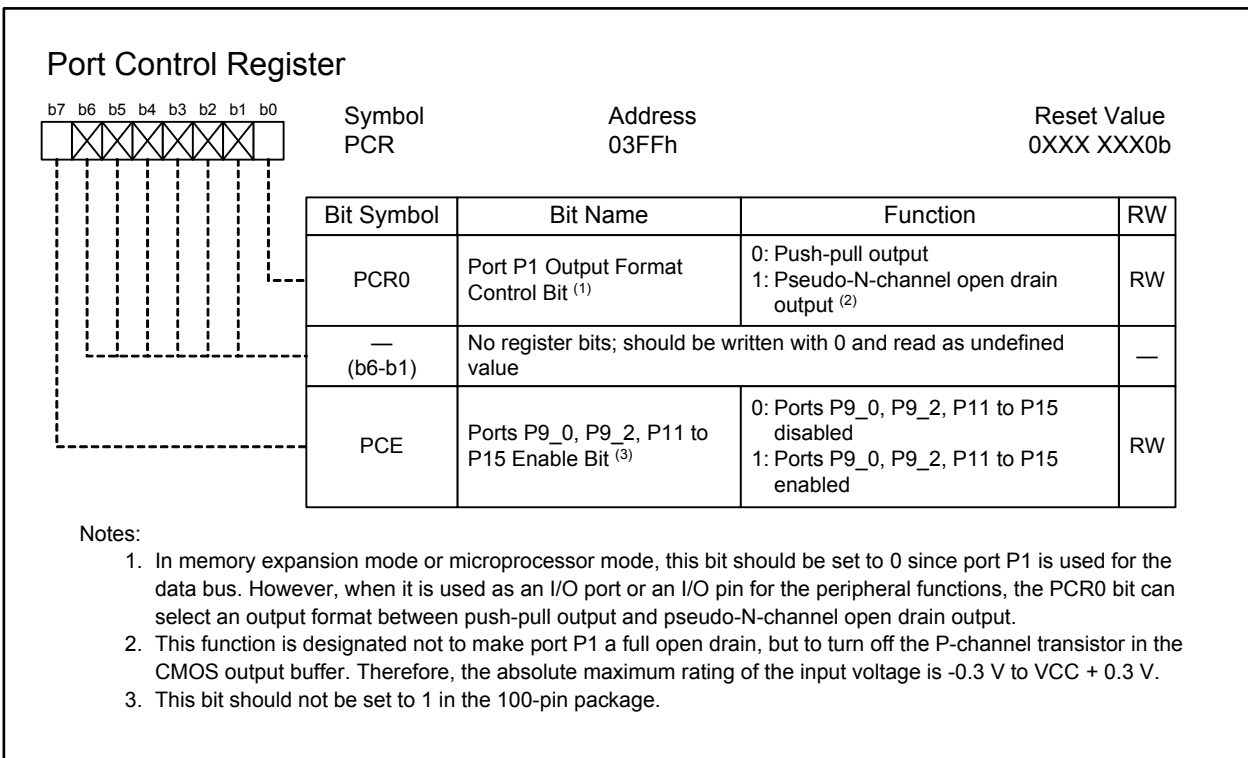


Figure 25.28 PCR Register

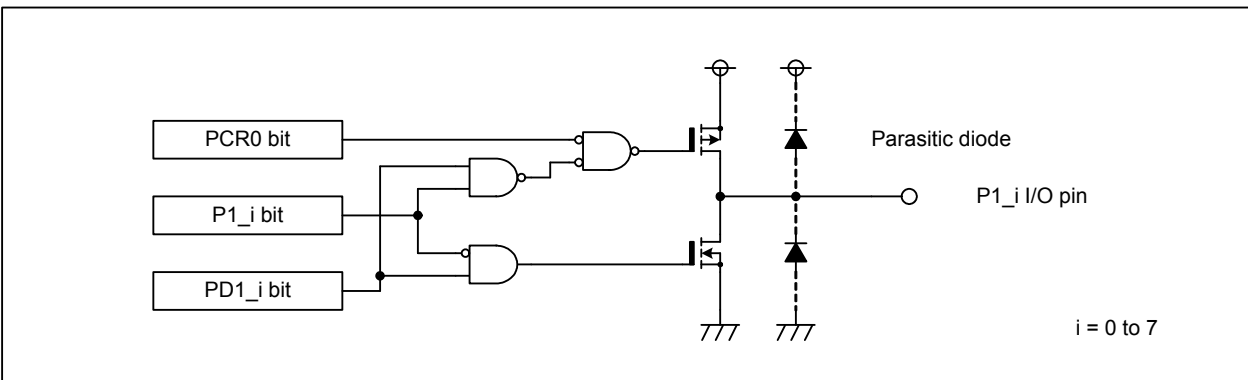


Figure 25.29 Port P1 Output Buffer Configuration

25.6 Configuring Unused Pins

Tables 25.2 and 25.3, and Figure 25.31 show examples of configuring unused pins on the board.

Table 25.2 Unused Pin Configuration in Single-chip Mode (1)

Pin Name	Setting
Ports P0 to P15 (excluding ports P8_5, and P9_1 (in the 100-pin package) or P14_1 (in the 144-pin package)) (2, 3, 4)	Configure as input ports so that each pin is connected to VSS via its own resistor; (5) or configure as output ports to leave the pins open
P9_1 (in the 100-pin package)	Connect the pin to VSS via a resistor (5)
P14_1 (in the 144-pin package)	Connect the pin to VSS via a resistor (5)
XOUT (6)	Leave pin open
NMI (P8_5)	Connect the pin to VCC via a resistor (5)
AVCC	Connect the pin to VCC
AVSS, VREF	Connect the pin to VSS
NSD	Connect the pin to VCC via a resistor of 1 to 4.7 kΩ

Notes:

1. Unused pins should be wired within 2 cm of the MCU.
2. When configuring the pins as output ports to leave them open, note that ports as inputs remain unchanged from when the reset is released until the mode transition is completed. During this transition, the power supply current may increase due to an undefined voltage level of the pins. In addition, the direction register value may change due to noise or program runaway caused by the noise. To avoid these situations, reconfigure the direction register regularly by software, which may achieve higher program reliability.
3. Ports P9_0, P9_2, and P11 to P15 are available in the 144-pin package only.
4. In the 100-pin package, set FFh to the following addresses: 03D7h, 03DAh, 03DBh, 03DEh, and 03DFh.
5. Select a resistance value that is appropriate for the system. A range from 10 to 100 kΩ is recommended.
6. This setting is applicable when an external clock is applied to the XIN pin.

Table 25.3 Unused Pin Configuration in Memory Expansion Mode or Microprocessor Mode (1)

Pin Name	Setting
Ports P1, P6 to P15 (excluding ports P8_5, and P9_1 (in the 100-pin package) or P14_1 (in the 144-pin package)) (2, 3, 4)	Configure as input ports so that each pin is connected to VSS via its own resistor; (5) or configure as output ports to leave the pins open
P9_1 (in the 100-pin package)	Connect the pin to VSS via a resistor (5)
P14_1 (in the 144-pin package)	Connect the pin to VSS via a resistor (5)
$\overline{BC0}$ to $\overline{BC3}$, $\overline{WR0}$ to $\overline{WR3}$, ALE, \overline{HLDA} , XOUT (6), BCLK	Leave the pins open
\overline{HOLD} , \overline{RDY}	Connect the pins to VCC via a resistor (5)
NMI (P8_5)	Connect the pin to VCC via a resistor (5)
AVCC	Connect the pin to VCC
AVSS, VREF	Connect the pins to VSS
NSD	Connect the pin to VCC via a resistor of 1 to 4.7 k Ω

Notes:

1. Unused pins should be wired within 2 cm of the MCU.
2. When configuring the pins as output ports to leave them open, note that ports as inputs remain unchanged from when the reset is released until the mode transition is completed. During this transition, the power supply current may increase due to an undefined voltage level of the pins. In addition, the direction register value may change due to noise or program runaway caused by the noise. To avoid these situations, reconfigure the direction register regularly by software, which may achieve higher program reliability.
3. Ports P9_0, P9_2, and P11 to P15 are available in the 144-pin package only.
4. In the 100-pin package, set FFh to the following addresses: 03D7h, 03DAh, 03DBh, 03DEh, and 03DFh.
5. Select a resistance value that is appropriate for the system. A range from 10 to 100 k Ω is recommended.
6. This setting is applicable when an external clock is applied to the XIN pin.

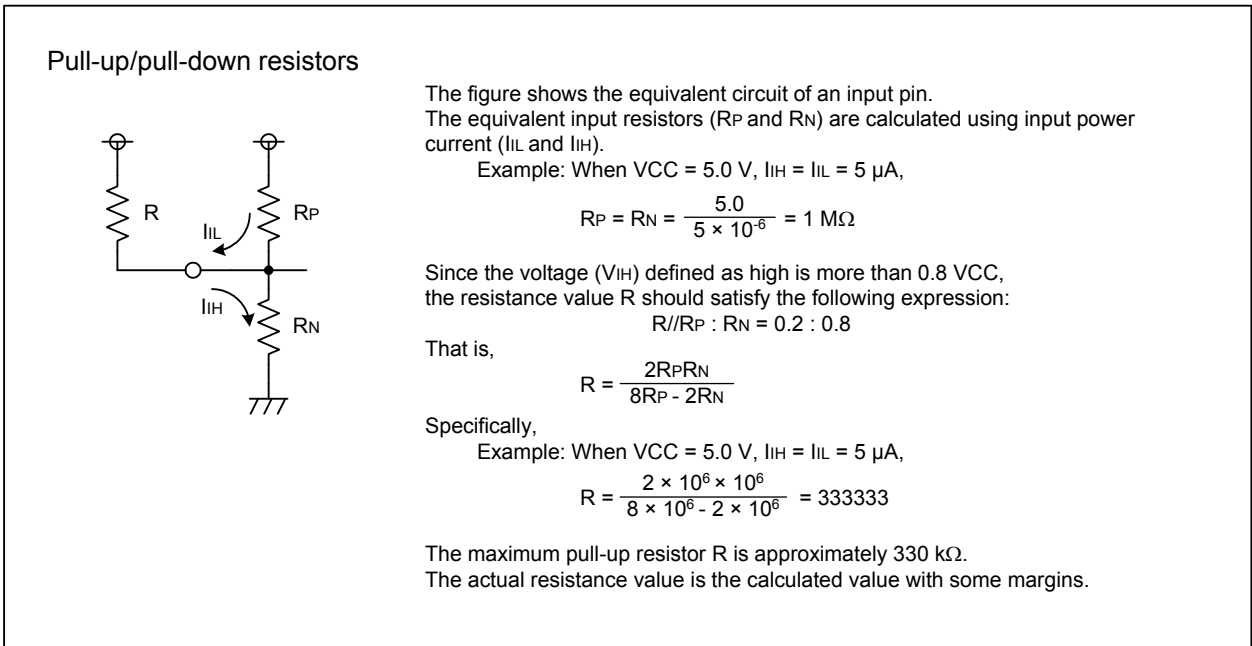


Figure 25.30 Pull-up/Pull-down Resistors

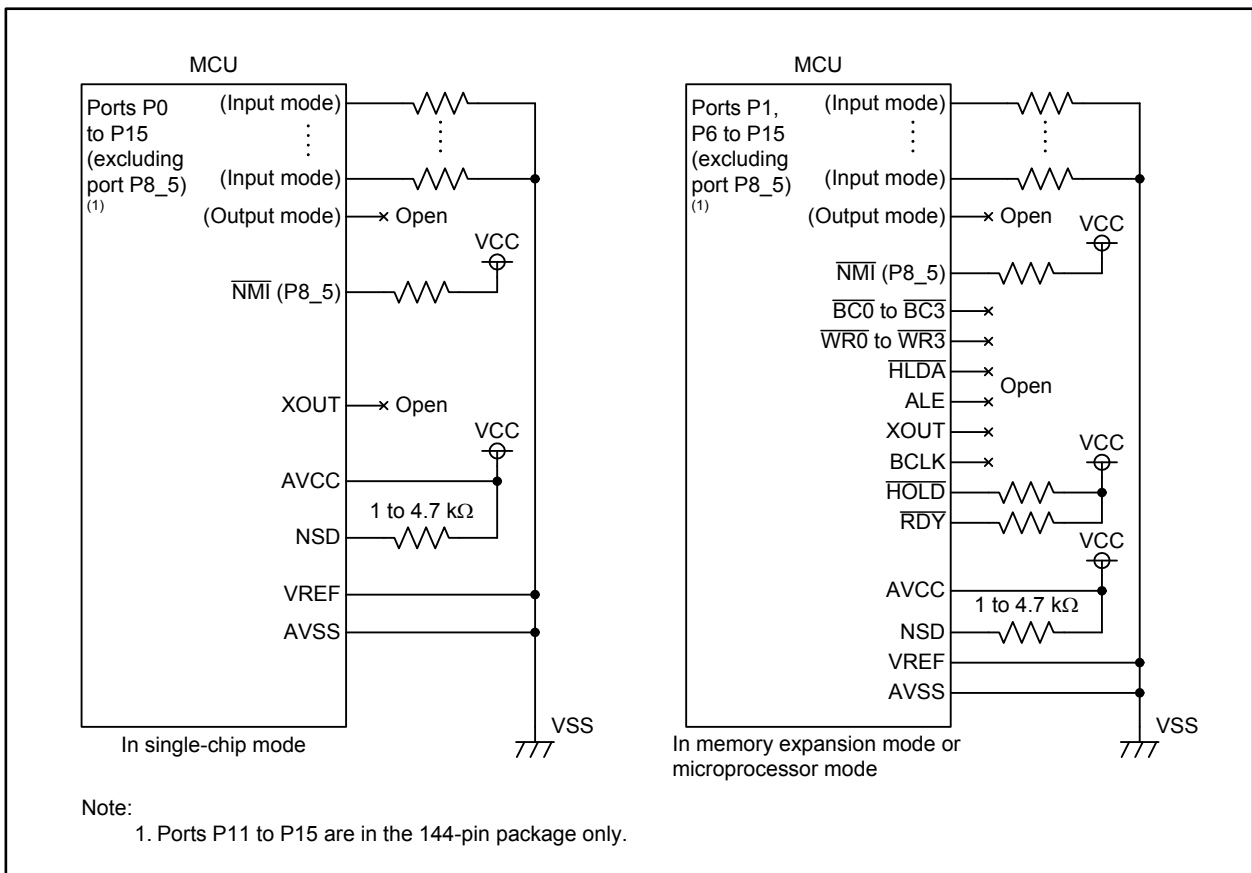


Figure 25.31 Unused Pin Configuration

26. Flash Memory

26.1 Overview

The flash memory can be programmed in the following three modes: CPU rewrite mode, standard serial I/O mode, and parallel I/O mode.

Table 26.1 lists specifications of the flash memory and Table 26.2 shows the overview of each rewrite mode.

Table 26.1 Flash Memory Specifications

Item	Specification
Rewrite modes	CPU rewrite mode, standard serial I/O mode, parallel I/O mode
Structure	Block architecture. Refer to Figure 26.1
Program operation	8-byte basis
Erase operation	1-block basis
Program and erase control method	Software commands
Protection types	Lock bit protect, ROM code protect, ID code protect
Software commands	9

Table 26.2 Flash Memory Rewrite Mode Overview

Rewrite Mode	CPU Rewrite Mode	Standard Serial I/O Mode	Parallel I/O Mode
Function	CPU executes a software command to rewrite the flash memory EW0 mode: Rewritable in areas other than the on-chip flash memory EW1 mode: Rewritable in areas other than specified blocks to be rewritten	A dedicated serial programmer rewrites the flash memory Standard serial I/O mode 1: Synchronous serial I/O selected Standard serial I/O mode 2: UART selected	A dedicated parallel programmer rewrites the flash memory
CPU operating mode	Single-chip mode, Memory expansion mode (EW0 mode)	Standard serial I/O mode	Parallel I/O mode
Programmer	—	Serial programmer	Parallel programmer
On-board programming	Supported	Supported	Not supported

Figure 26.1 shows the on-chip flash memory structure.

The on-chip flash memory contains program area to store user programs, and data area/data flash to store the result of user programs. The program area consists of blocks 0 to 17, and data area/data flash consists of blocks A and B.

Each block can be individually protected (locked) from programming or erasing by setting the lock bit.

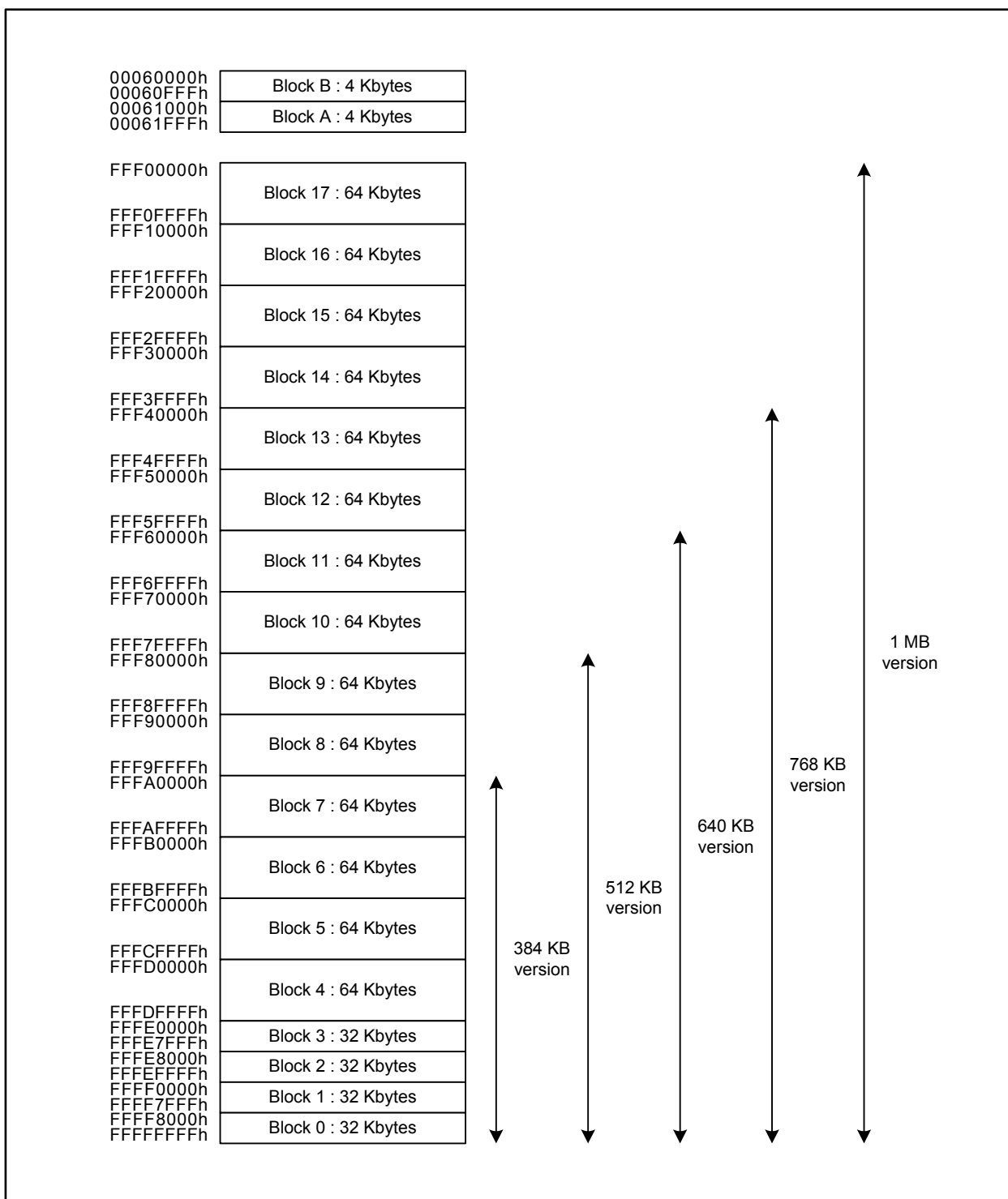


Figure 26.1 On-chip Flash Memory Block Diagram

26.2 Flash Memory Protection

There are three types of protection as shown in Table 26.3. Lock bit protection is intended to prevent accidental write or erase by program runaway. ROM code protection and ID code protection are intended to prevent read or write by a third party.

Table 26.3 Protection Types and Characteristics

Protection Type	Lock Bit Protection	ROM Code Protection	ID Code Protection
Protected operations	Erase, write	Read, write	Read, erase, write
Protection available in	CPU rewrite mode Standard serial I/O mode Parallel I/O mode	Parallel I/O mode	Standard serial I/O mode
Protection available for	Individual blocks	Entire flash memory	Entire flash memory
Protection settings	Setting 0 to the lock bit of block to be protected	Setting the protect bit of any block to 0	Writing the program which has set an ID code to specified address
Protection disabled by	Setting the LBD bit in the FMR register to 1 (lock bit protection disabled), or by erasing the blocks whose lock bits are set to 0 to permanently disable the protection	Erasing all blocks whose protect bits are set to 0	Sending a proper ID code from the serial programmer

26.2.1 Lock Bit Protection

This protection can be used in all three rewrite modes. When the lock bit protection is enabled, all blocks whose lock bits are set to 0 (locked) are protected against programming and erasing.

To set the lock bit to 0, the lock bit program command must be issued.

To temporarily disable the protection of all protected blocks, disable the lock bit protection itself by setting the LBD bit in the FMR1 register to 1 (lock bit protection disabled). The protection of a protected block is disabled permanently and its lock bit becomes 1 (unlocked) if the block is erased.

26.2.2 ROM Code Protection

This protection can only be used in parallel I/O mode. When the ROM code protection is enabled, the entire flash memory is protected against reading and writing.

To disable the protection, erase all the blocks whose protect bits are set to 0 (protected).

Each block has two protect bits. Setting any protect bit to 0 by a software command enables the protection for the entire flash memory. Table 26.4 lists protect bit addresses.

Table 26.4 Protect Bit Addresses

Block	Protect Bit 0	Protect Bit 1
Block B	00060100h	00060300h
Block A	00061100h	00061300h
Block 17	FFF00100h	FFF00300h
Block 16	FFF10100h	FFF10300h
Block 15	FFF20100h	FFF20300h
Block 14	FFF30100h	FFF30300h
Block 13	FFF40100h	FFF40300h
Block 12	FFF50100h	FFF50300h
Block 11	FFF60100h	FFF60300h
Block 10	FFF70100h	FFF70300h
Block 9	FFF80100h	FFF80300h
Block 8	FFF90100h	FFF90300h
Block 7	FFFA0100h	FFFA0300h
Block 6	FFFB0100h	FFFB0300h
Block 5	FFFC0100h	FFFC0300h
Block 4	FFFD0100h	FFFD0300h
Block 3	FFFE0100h	FFFE0300h
Block 2	FFFE8100h	FFFE8300h
Block 1	FFFF0100h	FFFF0300h
Block 0	FFFF8100h	FFFF8300h

26.2.3 ID Code Protection

This protection can only be used in standard serial I/O mode. A command from the serial programmer is to be accepted when the 7-byte ID code sent from the serial programmer matches the ID code programmed in the flash memory. However, when the reset vector is FFFFFFFFh, the ID code check is skipped because the flash memory is considered to be blank. When the reset vector is FFFFFFFFh and the ROM code protection is enabled, only the block erase command is accepted.

The ID codes sent from the serial programmer are consecutively numbered as ID1, ID2, ..., and ID7. ID codes programmed in the flash memory, also numbered as ID1, ID2, ..., and ID7, are assigned to addresses FFFFFFFE8h, FFFFFFFE9h, ..., and FFFFFFFEEh as shown in Figure 26.2. The ID code protection is enabled when a program which has an ID code set in the corresponding address is written to the flash memory.

In the high speed version (64 MHz version), the following two ASCII code combinations are specified as reserved ID codes: "ALeRASE" and "Protect". Refer to Table 26.5, 26.2.4 "Forcible Erase Function", and 26.2.5 "Standard Serial I/O Mode Disable Function" for details.

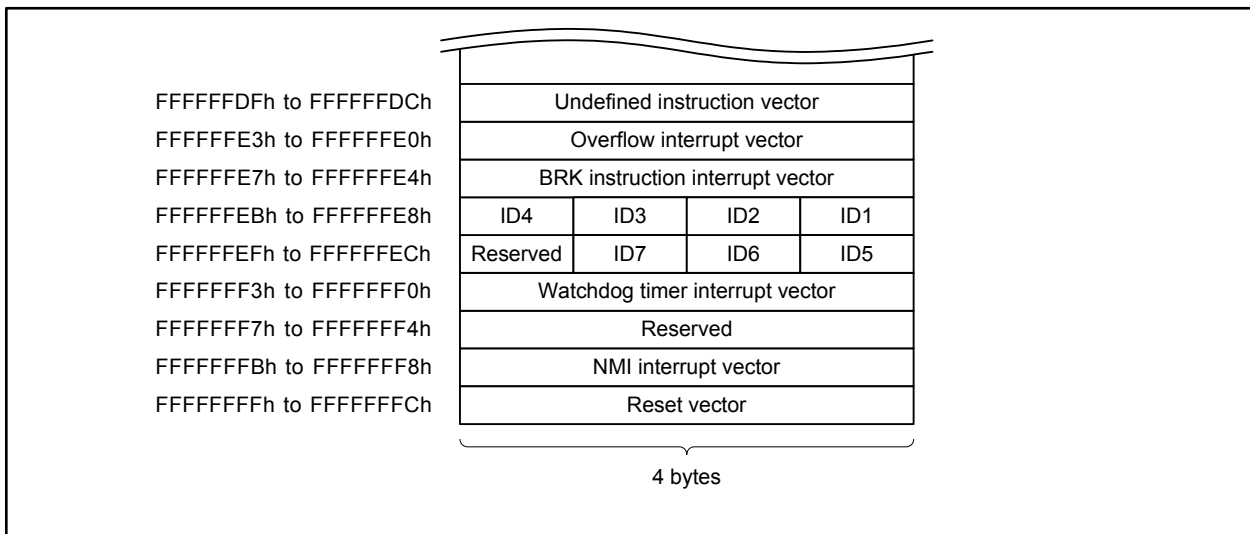


Figure 26.2 Addresses for ID Code Stored

Table 26.5 Reserved ID Codes

ID Code		ID1	ID2	ID3	ID4	ID5	ID6	ID7
ALeRASE	Glyph	A	L	e	R	A	S	E
	ASCII code	41h	4Ch	65h	52h	41h	53h	45h
Protect	Glyph	P	r	o	t	e	c	t
	ASCII code	50h	72h	6Fh	74h	65h	63h	74h

26.2.4 Forcible Erase Function

The forcible erase function is available in standard serial I/O mode in the high speed version (64 MHz version). It is not available in the normal speed version (50 MHz version). With this function, all blocks of the flash memory are forcibly erased when ID codes sent from the serial programmer matches the ASCII code corresponding to the following sequential ASCII-glyphs: “A”, “L”, “e”, “R”, “A”, “S”, and “E”. However, the function is ignored when the ROM code protection is activated and ID codes other than “ALeRASE” are programmed in the flash memory.

Table 26.6 Operational Conditions for Forcible Erase Function

ID Codes Sent From the Serial Programmer	ID Codes Programmed in the Flash Memory	ROM Code Protection	Function
“ALeRASE”	“ALeRASE”	—	Erase all blocks of the flash memory
	Any codes other than “ALeRASE” or “Protect”	Inactivated	Check ID codes (resulted in unmatched codes)
		Activated	
Any codes other than “ALeRASE”	“ALeRASE”	—	Check ID codes (resulted in unmatched codes)
	Any codes other than “ALeRASE” or “Protect”	—	Check ID codes

26.2.5 Standard Serial I/O Mode Disable Function

The standard serial I/O mode disable function is available in the high speed version (64 MHz version) It is not available in the normal speed version (50 MHz version). With the standard serial I/O mode disable function, the flash memory in standard serial I/O mode is inaccessible from the CPU when ID code programmed in the flash memory are ASCII codes corresponding to the following sequential ASCII-glyphs: "P", "r", "o", "t", "e", "c", and "t".

When the ROM code protection is activated and ID codes corresponding to "Protect" are programmed, the serial programmer cannot deactivate the ROM code protection. In this case, the flash memory is not accessible from the outside of MCU, except that the parallel programmer can delete the flash memory.

26.3 CPU Rewrite Mode

In CPU rewrite mode, the CPU executes software commands to rewrite the flash memory. The CPU accesses the flash memory not via the CPU buses, but via the dedicated flash memory rewrite buses (refer to Figure 26.3).

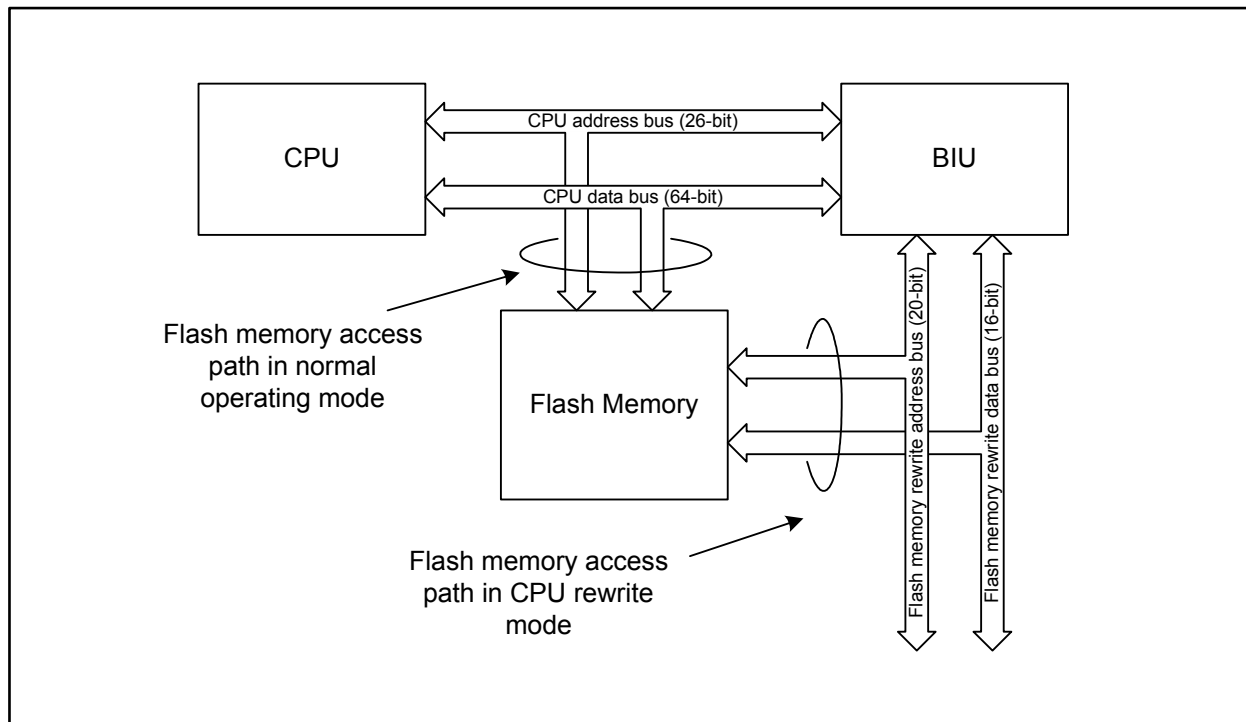


Figure 26.3 Flash Memory Access Path in CPU Rewrite Mode

Bus setting for flash memory rewrite should be performed by registers FEBC0 and FEBC3. Refer to 26.3.2 “Flash Memory Rewrite Bus Timing” and 27. “Electrical Characteristics” for the appropriate bus setting. Note that registers FEBC0 and FEBC3 share respective addresses with registers EBC0 and EBC3. That is, a rewrite of these registers affects the external bus setting. Set registers EBC0 and EBC3 again after rewriting the registers FEBC0 and FEBC3.

The CPU rewrite mode contains modes EW0 and EW1 as shown in Table 26.7.

Table 26.7 EW0 and EW1 Modes

Item	EW0 Mode	EW1 Mode
CPU operating modes	Single-chip mode Memory expansion mode (1)	Single-chip mode
Rewrite program executable spaces	Spaces other than the on-chip flash memory	Internal spaces other than specified blocks to be rewritten, internal RAM
Restrictions on software commands	None	<ul style="list-style-type: none"> • Do not execute either the program command or the block erase command for blocks where the rewrite control programs are written to • Do not execute the enter read status register mode command • Execute the enter read lock bit status mode command in RAM • Execute the enter read protect bit status mode command in RAM
Mode after program/erase operation	Read status register mode	Read array mode
CPU state during program/erase operation	Operating	In a hold state (I/O ports maintain the state before the command was executed)
Flash memory state detection by	<ul style="list-style-type: none"> • Reading the FMSR0 register by a program • Executing the enter read status register mode command to read data 	<ul style="list-style-type: none"> • Reading the FMSR0 register by a program
Other restrictions	None	<ul style="list-style-type: none"> • Disable interrupts (except NMI) and DMA transfer during program/erase operation

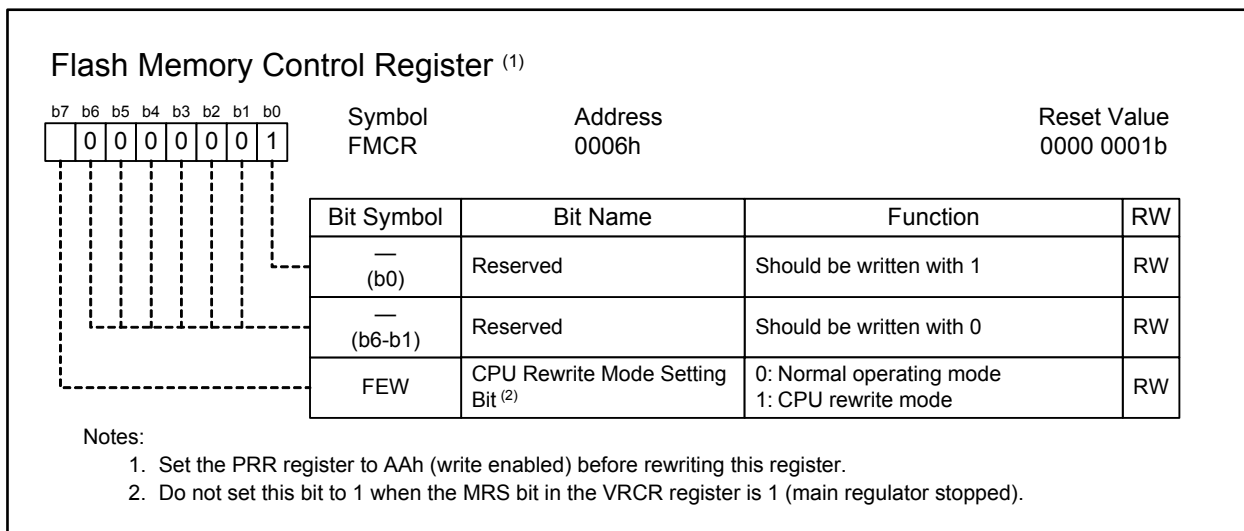
Note:

1. The $\overline{CS0}$ space and $\overline{CS3}$ space have limited availability in memory expansion mode. Refer to 26.3.1 "CPU Operating Mode and Flash Memory Rewrite" for details.

To select CPU rewrite mode, the FEW bit in the FMCR register should be set to 1. Then, EW0 mode/EW1 mode can be selected by setting the EWM bit in the FMR0 register.

Registers FMCR and FMR0 are protected by registers PRR and FPR0, respectively.

Figures 26.4 to 26.12 show associated registers.

**Figure 26.4 FMCR Register**

Flash Memory Rewrite Bus Control Register i (i = 0, 3)⁽¹⁾

Symbol
FEBC0, FEBC3

Address
001Dh-001Ch, 0011h-0010h

Reset Value
0000h

Bit Symbol	Bit Name	Function	RW
FWR0	RD Pulse Width Setting Bit	b3 b2 b1 b0 0 0 0 0 : wr = 1 0 0 0 1 : wr = 2 0 1 0 1 : wr = 3 0 1 1 0 : wr = 4 1 0 1 0 : wr = 5 1 0 1 1 : wr = 6 1 1 1 1 : wr = 7 Only use the combinations listed above	RW
FWR1			RW
FWR2			RW
FWR3			RW
FWR4	RD Pulse Width Extension Select Bit	0: No pulse width extension 1: Pulse width extension selected	RW
— (b5)	Reserved	Should be written with 0	RW
MPY0	Multiplied Cycle Setting Bit	b7 b6 0 0 : Do not use this combination 0 1 : Do not use this combination 1 0 : mpy = 3 1 1 : mpy = 4	RW
MPY1			RW
FSUW0	Address Setup Before WR Setting Bit	b9 b8 0 0 : suw = 0 0 1 : suw = 1 1 0 : suw = 2 1 1 : suw = 3	RW
FSUW1			
FWW0	WR Pulse Width Setting Bit	b11 b10 0 0 : ww = 1 0 1 : ww = 2 1 0 : ww = 3 1 1 : ww = 4	RW
FWW1			
— (b12)	Reserved	Should be written with 1	RW
— (b13)	Reserved	Should be written with 0	RW
— (b14)	Reserved	Should be written with 1	RW
— (b15)	Reserved	Should be written with 0	RW

Note:

- Set the PRR register to AAh (write enabled) before rewriting this register.

Figure 26.5 Registers FEBC0 and FEBC3

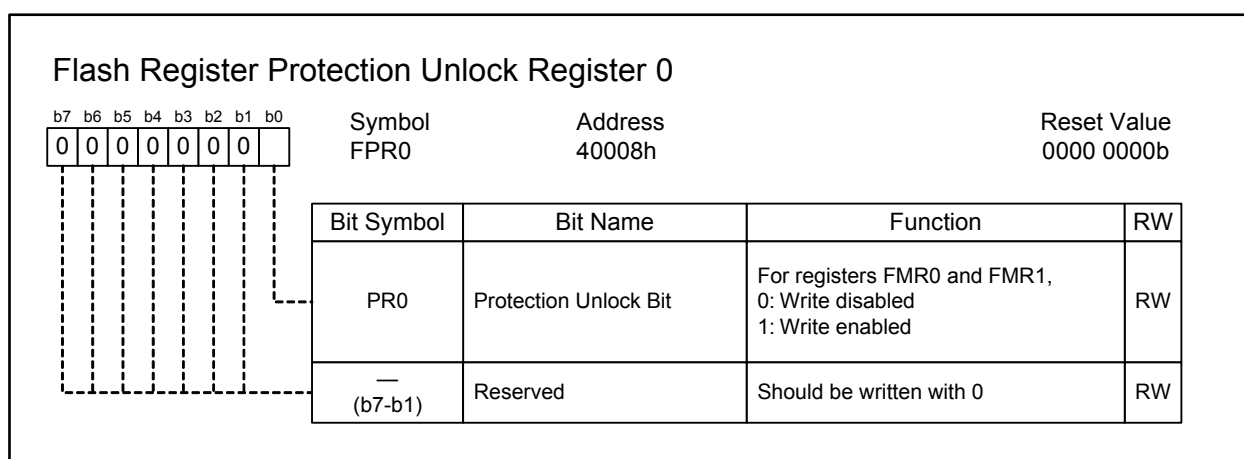


Figure 26.6 FPR0 Register

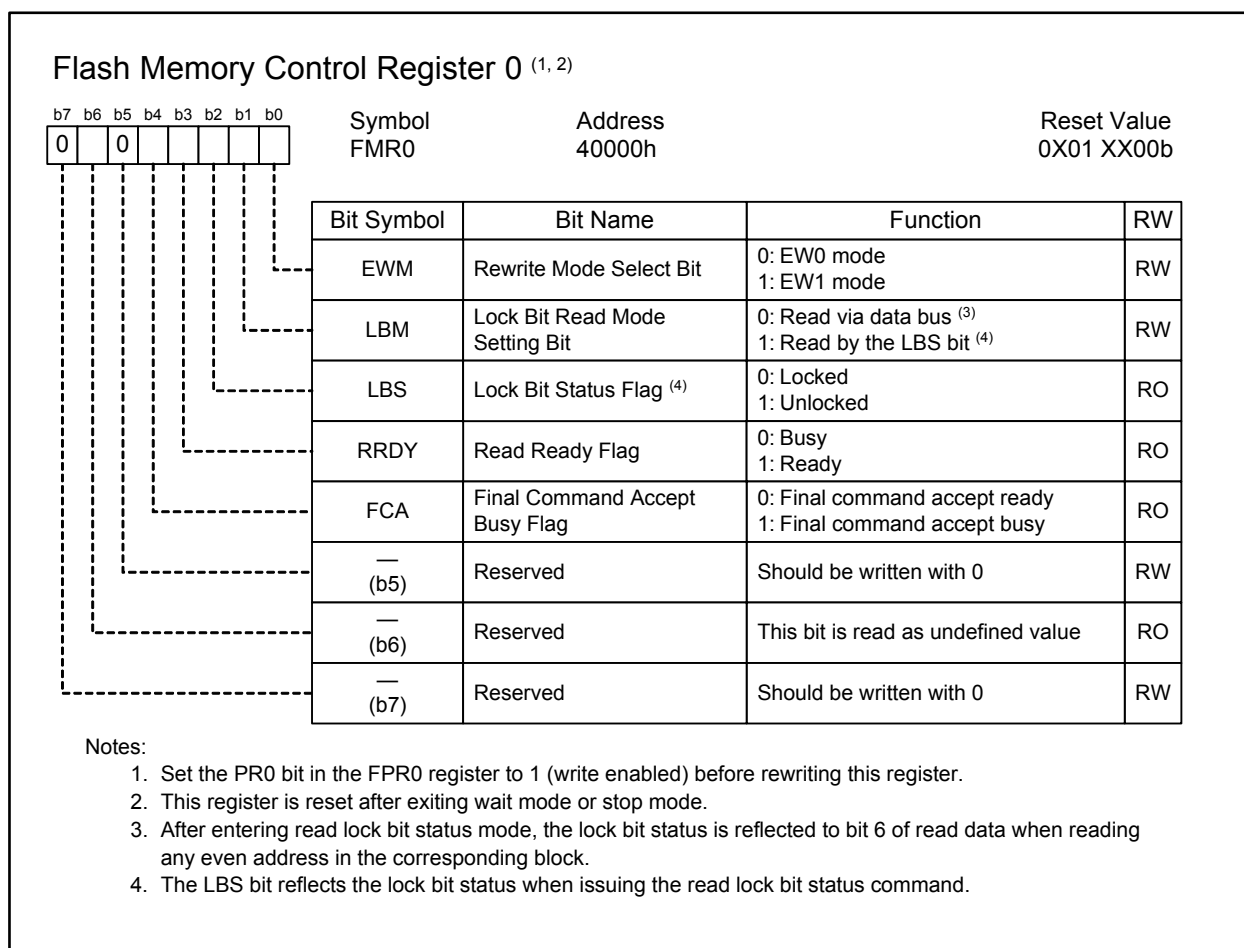


Figure 26.7 FMR0 Register

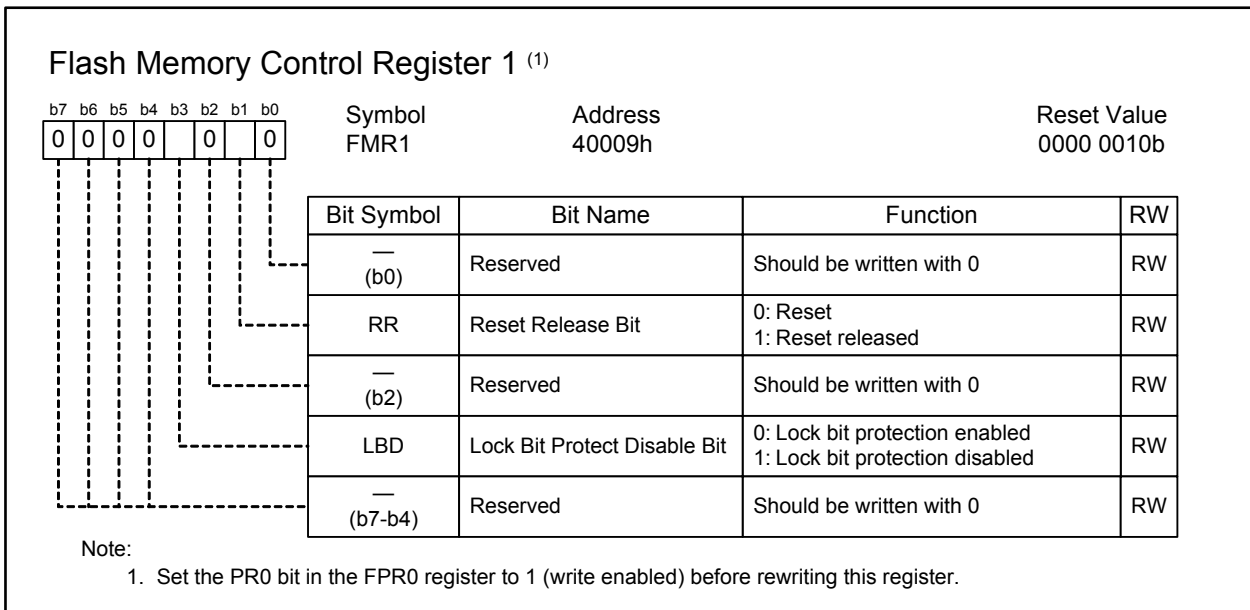


Figure 26.8 FMR1 Register

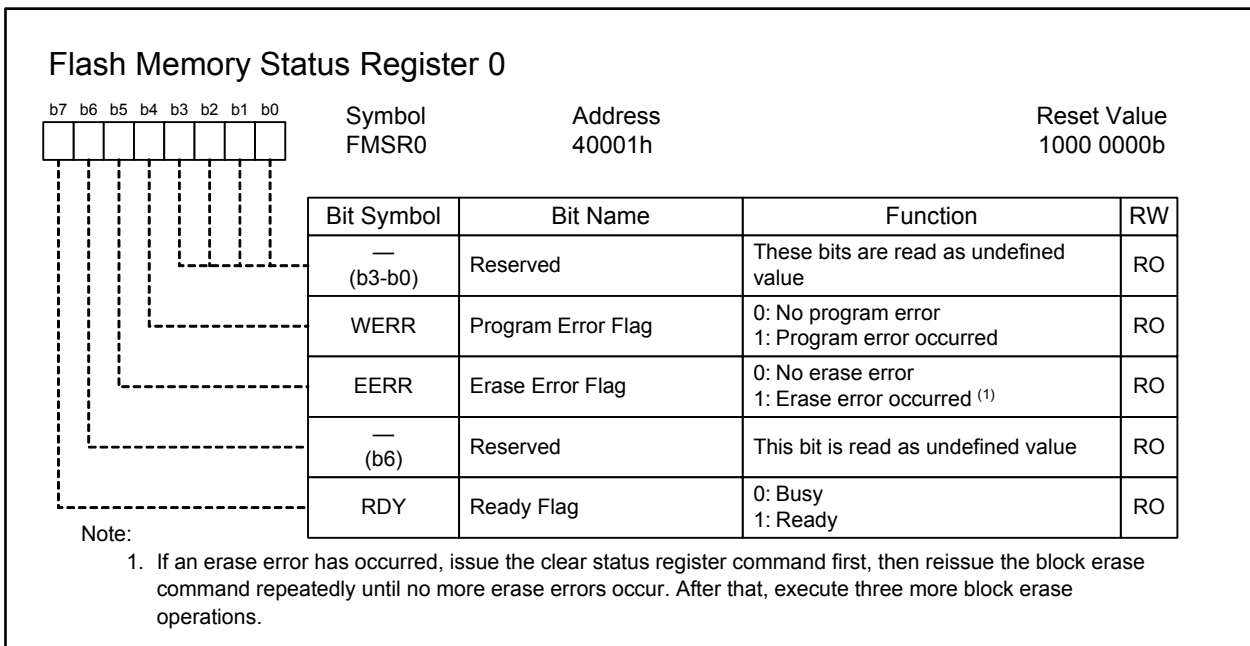


Figure 26.9 FMSR0 Register

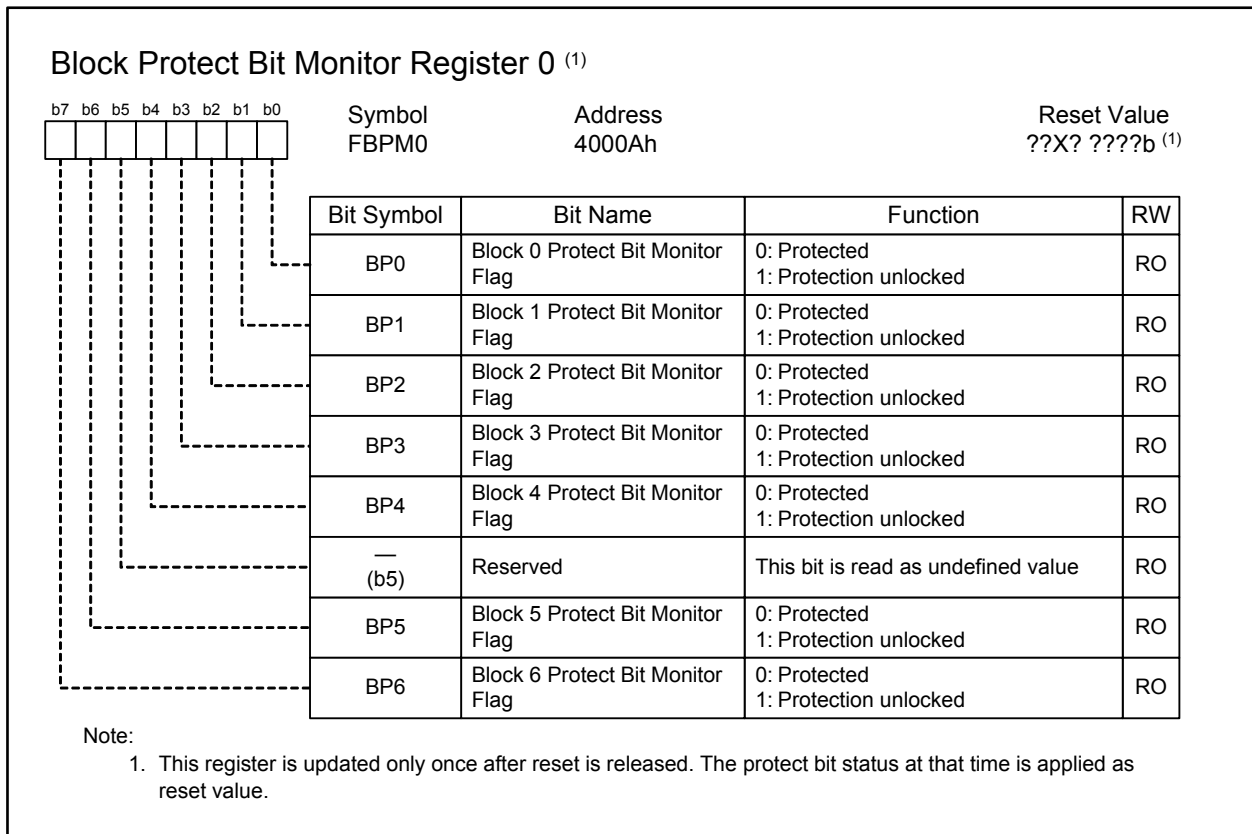


Figure 26.10 FBPM0 Register

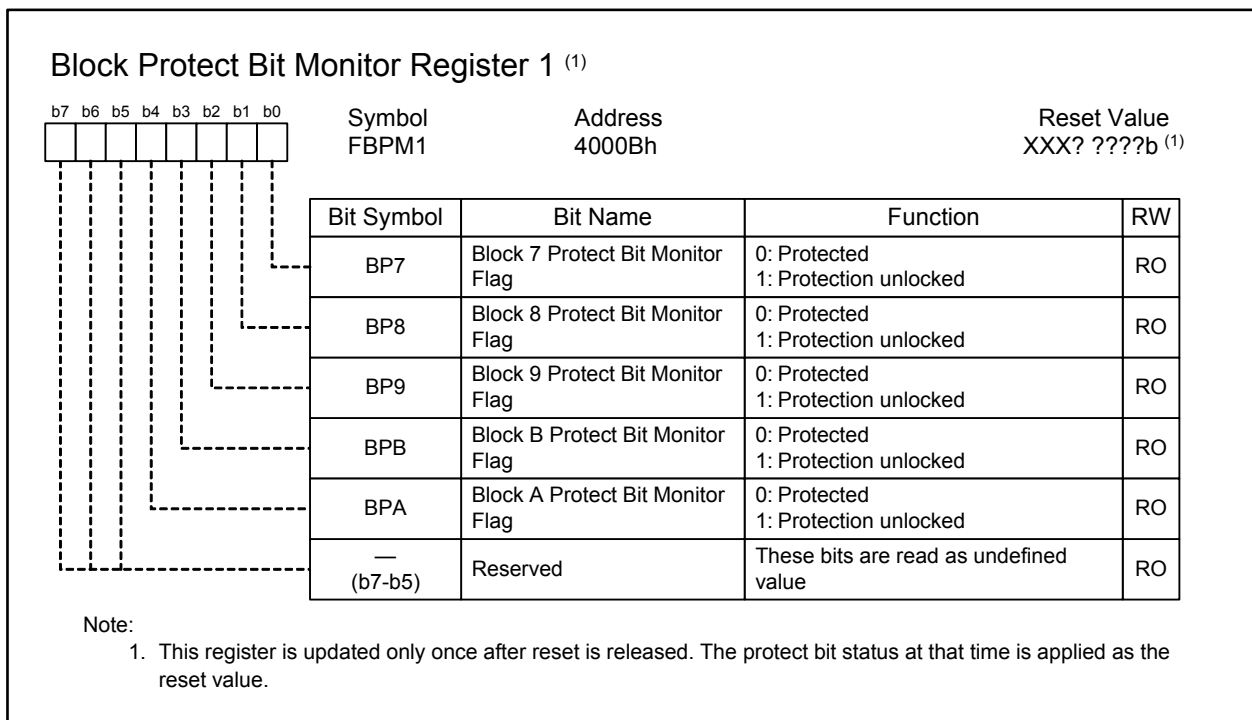


Figure 26.11 FBPM1 Register

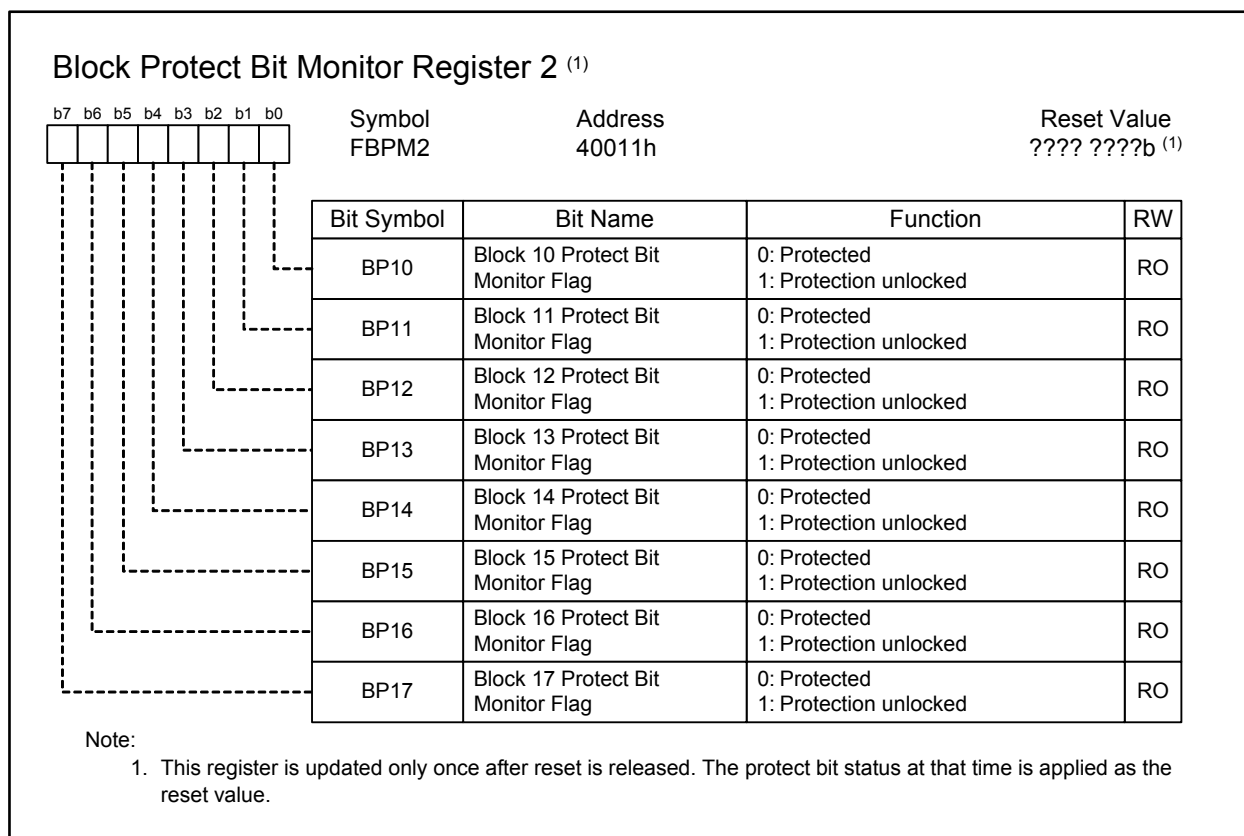


Figure 26.12 FBPM2 Register

26.3.1 CPU Operating Mode and Flash Memory Rewrite

Registers used to set the bus timing of rewriting the flash memory vary with the CPU operating modes. Do not change the 00h reset value of registers CB01, CB12, and CB23 when using single-chip mode. The bus setting for both the program area and data area can be performed using the FEBC0 register. In cases other than the above, when the CPU operation is performed in memory expansion mode more than once, set registers CB01, CB12, and CB23 according to each setting range as shown in Table 26.8. The bus setting for program area and data area can be performed by the FEBC0 register and FEBC3 register, respectively.

Note that registers FEBC0 and FEBC3 in memory expansion mode share respective addresses with registers EBC0 and EBC3. That is, when the FEBC_i register (i = 0, 3) is set for the flash memory rewrite, the setting value for the EBC_i register is accordingly changed. This may cause external devices allocated to the $\overline{CS0}$ space and/or $\overline{CS3}$ space in CPU rewrite mode to become inaccessible.

Table 26.8 lists the details of bus setting for the flash memory rewrite in each CPU operating mode.

Table 26.8 CPU Operating Mode and Flash Memory Rewrite

Item	CPU Operating Mode	
	Single-chip mode	Memory expansion mode
CB01 register	Hold the reset value 00h	Setting range: 02h to F8h Set a value equal to or greater than that of the CB12 register
CB12 register	Hold the reset value 00h	Setting range: 02h to F8h Set a value equal to or greater than that of the CB23 register and equal to or less than that of the CB01 register
CB23 register	Hold the reset value 00h	Setting range: 02h to F8h Set a value equal to or less than that of the CB12 register
Bus setting for program area	FEBC0 register	FEBC0 register
Bus setting for data area	FEBC0 register	FEBC3 register
State of $\overline{CS0}$ space and $\overline{CS3}$ space after the FEBC _i register is set	N/A	<ul style="list-style-type: none"> • Separate bus format • 16-bit bus width • \overline{RDY} ignored
Restrictions for the use of $\overline{CS0}$ space and $\overline{CS3}$ space	None	<ul style="list-style-type: none"> • \overline{HOLD} is ignored • In CPU rewrite mode, external devices become inaccessible to data with the bus format set for $\overline{CS0}$ space and/or $\overline{CS3}$ space as multiplexed bus • The change in bus timing may cause external devices in the $\overline{CS0}$ space and/or $\overline{CS3}$ space to become inaccessible

26.3.2 Flash Memory Rewrite Bus Timing

As mentioned in 26.3.1, the bus setting for the flash memory rewrite is performed by setting the FEBC0 and/or FEBC3 registers. This section specifically describes the setting of registers FEBC0 and FEBC3. The reference clock is the base clock set with bits BCD1 and BCD0 in the CCR register. Time duration including t_{su} , t_w , t_c , and t_h are specified by the number of base clock cycles.

Tables 26.9 to 26.11 show the correlation of the read cycle and setting of bits MPY1, MPY0, and FWR4 to FWR0, according to peripheral bus clock divide ratios. Tables 26.12 to 26.14 show the correlation of the write cycle and setting of bits MPY1, MPY0, FSUW1, FSUW0, FWW1, and FWW0. Associated read/write timings are illustrated in Figures 26.13 and 26.14, respectively.

Read/write cycle timing is selected from the tables below to meet the timing requirements in the CPU rewrite mode described in the electrical characteristics.

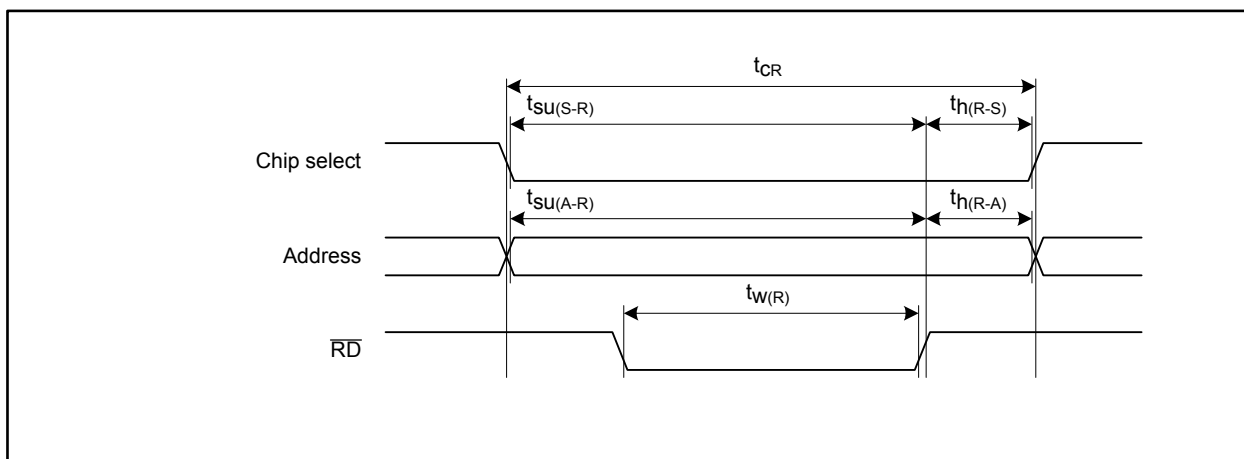


Figure 26.13 Read Timing

Table 26.9 Read Cycle and Bit Settings: MPY1, MPY0, and FWR4 to FWR0, When Peripheral Bus Clock is Divided by 2 (unit: cycles)

FWR3 to FWR0 Bit Settings		FWR4 Bit Settings	MPY1 and MPY0 Bit Settings							
			10b				11b			
			<i>mpy = 3</i>				<i>mpy = 4</i>			
			$t_{su(S-R)}$, $t_{su(A-R)}$	$t_w(R)$	t_{CR}	$t_h(R-S)$, $t_h(R-A)$	$t_{su(S-R)}$, $t_{su(A-R)}$	$t_w(R)$	t_{CR}	$t_h(R-S)$, $t_h(R-A)$
0000b	$wr = 1$	0	4	3	4	0	6	5	6	0
		1	6	5	6	0	6	5	6	0
0001b	$wr = 2$	0	8	7	8	0	10	9	10	0
		1	8	7	8	0	10	9	10	0
0101b	$wr = 3$	0	10	9	10	0	14	13	14	0
		1	12	11	12	0	14	13	14	0
0110b	$wr = 4$	0	14	13	14	0	18	17	18	0
		1	14	13	14	0	18	17	18	0
1010b	$wr = 5$	0	16	15	16	0	22	21	22	0
		1	18	17	18	0	22	21	22	0
1011b	$wr = 6$	0	20	19	20	0	26	25	26	0
		1	20	19	20	0	26	25	26	0
1111b	$wr = 7$	0	22	21	22	0	30	29	30	0
		1	24	23	24	0	30	29	30	0

Table 26.10 Read Cycle and Bit Settings: MPY1, MPY0, and FWR4 to FWR0, When Peripheral Bus Clock is Divided by 3 (unit: cycles)

FWR3 to FWR0 Bit Settings		FWR4 Bit Settings	MPY1 and MPY0 Bit Settings							
			10b				11b			
			<i>mpy = 3</i>				<i>mpy = 4</i>			
			tsu(S-R), tsu(A-R)	tw(R)	tCR	th(R-S), th(R-A)	tsu(S-R), tsu(A-R)	tw(R)	tCR	th(R-S), th(R-A)
0000b	<i>wr = 1</i>	0	6	4.5	6	0	6	4.5	6	0
		1	6	4.5	6	0	6	4.5	6	0
0001b	<i>wr = 2</i>	0	9	7.5	9	0	9	7.5	9	0
		1	9	7.5	9	0	12	10.5	12	0
0101b	<i>wr = 3</i>	0	12	10.5	12	0	15	13.5	15	0
		1	12	10.5	12	0	15	13.5	15	0
0110b	<i>wr = 4</i>	0	15	13.5	15	0	18	16.5	18	0
		1	15	13.5	15	0	18	16.5	18	0
1010b	<i>wr = 5</i>	0	18	16.5	18	0	21	19.5	21	0
		1	18	16.5	18	0	24	22.5	24	0
1011b	<i>wr = 6</i>	0	21	19.5	21	0	27	25.5	27	0
		1	21	19.5	21	0	27	25.5	27	0
1111b	<i>wr = 7</i>	0	24	22.5	24	0	30	28.5	30	0
		1	24	22.5	24	0	30	28.5	30	0

Table 26.11 Read Cycle and Bit Settings: MPY1, MPY0, and FWR4 to FWR0, When Peripheral Bus Clock is Divided by 4 (unit: cycles)

FWR3 to FWR0 Bit Settings		FWR4 Bit Settings	MPY1 and MPY0 Bit Settings							
			10b				11b			
			<i>mpy = 3</i>				<i>mpy = 4</i>			
			tsu(S-R), tsu(A-R)	tw(R)	tCR	th(R-S), th(R-A)	tsu(S-R), tsu(A-R)	tw(R)	tCR	th(R-S), th(R-A)
0000b	<i>wr = 1</i>	0	4	2	4	0	8	6	8	0
		1	8	6	8	0	8	6	8	0
0001b	<i>wr = 2</i>	0	8	6	8	0	12	10	12	0
		1	8	6	8	0	12	10	12	0
0101b	<i>wr = 3</i>	0	12	10	12	0	16	14	16	0
		1	12	10	12	0	16	14	16	0
0110b	<i>wr = 4</i>	0	16	14	16	0	20	18	20	0
		1	16	14	16	0	20	18	20	0
1010b	<i>wr = 5</i>	0	16	14	16	0	24	22	24	0
		1	20	18	20	0	24	22	24	0
1011b	<i>wr = 6</i>	0	20	18	20	0	28	26	28	0
		1	20	18	20	0	28	26	28	0
1111b	<i>wr = 7</i>	0	24	22	24	0	32	30	32	0
		1	24	22	24	0	32	30	32	0

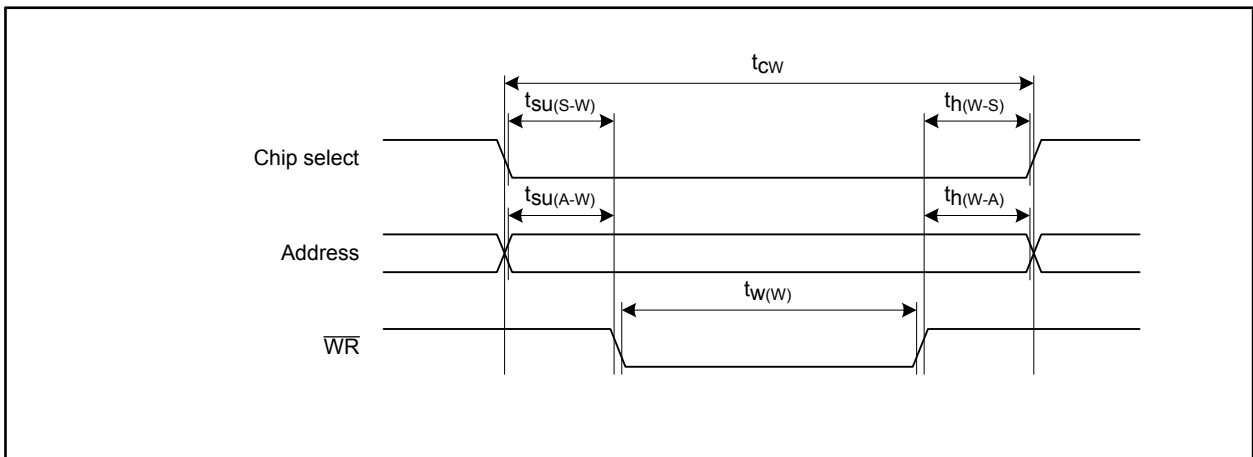


Figure 26.14 Write Timing

Table 26.12 Write Cycle and Bit Settings: MPY1, MPY0, FSUW1, FSUW0, FWW1, and FWW0, When Peripheral Bus Clock is Divided by 2 (unit: cycles)

FSUW1 and FSUW0 Bit Settings	FWW1 and FWW0 Bit Settings		MPY1 and MPY0 Bit Settings								
			10b				11b				
			<i>mpy</i> = 3				<i>mpy</i> = 4				
			tsu(S-W), tsu(A-W)	tw(W)	tcw	th(W-S), th(W-A)	tsu(S-W), tsu(A-W)	tw(W)	tcw	th(W-S), th(W-A)	
00b	<i>suw</i> = 0	00b	<i>ww</i> = 1	1	3	6	2	1	4	6	1
		01b	<i>ww</i> = 2	1	6	8	1	1	8	10	1
		10b	<i>ww</i> = 3	1	9	12	2	1	12	14	1
		11b	<i>ww</i> = 4	1	12	14	1	1	16	18	1
01b	<i>suw</i> = 1	00b	<i>ww</i> = 1	4	3	8	1	5	4	10	1
		01b	<i>ww</i> = 2	4	6	12	2	5	8	14	1
		10b	<i>ww</i> = 3	4	9	14	1	5	12	18	1
		11b	<i>ww</i> = 4	4	12	18	2	5	16	22	1
10b	<i>suw</i> = 2	00b	<i>ww</i> = 1	7	3	12	2	9	4	14	1
		01b	<i>ww</i> = 2	7	6	14	1	9	8	18	1
		10b	<i>ww</i> = 3	7	9	18	2	9	12	22	1
		11b	<i>ww</i> = 4	7	12	20	1	9	16	26	1
11b	<i>suw</i> = 3	00b	<i>ww</i> = 1	10	3	14	1	13	4	18	1
		01b	<i>ww</i> = 2	10	6	18	2	13	8	22	1
		10b	<i>ww</i> = 3	10	9	20	1	13	12	26	1
		11b	<i>ww</i> = 4	10	12	24	2	13	16	30	1

Table 26.13 Write Cycle and Bit Settings: MPY1, MPY0, FSUW1, FSUW0, FWW1, and FWW0, When Peripheral Bus Clock is Divided by 3 (unit: cycles)

FSUW1 and FSUW0 Bit Settings		FWW1 and FWW0 Bit Settings		MPY1 and MPY0 Bit Settings							
				10b				11b			
				<i>mpy = 3</i>				<i>mpy = 4</i>			
				tsu(S-W), tsu(A-W)	tw(W)	tcw	th(W-S), th(W-A)	tsu(S-W), tsu(A-W)	tw(W)	tcw	th(W-S), th(W-A)
00b	<i>suw = 0</i>	00b	<i>ww = 1</i>	1	3	6	2	1	4	6	1
		01b	<i>ww = 2</i>	1	6	9	2	1	8	12	3
		10b	<i>ww = 3</i>	1	9	12	2	1	12	15	2
		11b	<i>ww = 4</i>	1	12	15	2	1	16	18	1
01b	<i>suw = 1</i>	00b	<i>ww = 1</i>	4	3	9	2	6	3	12	3
		01b	<i>ww = 2</i>	4	6	12	2	6	7	15	2
		10b	<i>ww = 3</i>	4	9	15	2	6	11	18	1
		11b	<i>ww = 4</i>	4	12	18	2	6	15	24	3
10b	<i>suw = 2</i>	00b	<i>ww = 1</i>	7	3	12	2	9	4	15	2
		01b	<i>ww = 2</i>	7	6	15	2	9	8	18	1
		10b	<i>ww = 3</i>	7	9	18	2	9	12	24	3
		11b	<i>ww = 4</i>	7	12	21	2	9	16	27	2
11b	<i>suw = 3</i>	00b	<i>ww = 1</i>	10	3	15	2	13	4	18	1
		01b	<i>ww = 2</i>	10	6	18	2	13	8	24	3
		10b	<i>ww = 3</i>	10	9	21	2	13	12	27	2
		11b	<i>ww = 4</i>	10	12	24	2	13	16	30	1

Table 26.14 Write Cycle and Bit Settings: MPY1, MPY0, FSUW1, FSUW0, FWW1, and FWW0, When Peripheral Bus Clock is Divided by 4 (unit: cycles)

FSUW1 and FSUW0 Bit Settings		FWW1 and FWW0 Bit Settings		MPY1 and MPY0 Bit Settings							
				10b				11b			
				<i>mpy = 3</i>				<i>mpy = 4</i>			
				tsu(S-W), tsu(A-W)	tw(W)	tcw	th(W-S), th(W-A)	tsu(S-W), tsu(A-W)	tw(W)	tcw	th(W-S), th(W-A)
00b	<i>suw = 0</i>	00b	<i>ww = 1</i>	1	3	8	4	1	4	8	3
		01b	<i>ww = 2</i>	1	6	8	1	1	8	12	3
		10b	<i>ww = 3</i>	1	9	12	2	1	12	16	3
		11b	<i>ww = 4</i>	1	12	16	3	1	16	20	3
01b	<i>suw = 1</i>	00b	<i>ww = 1</i>	4	3	8	1	5	4	12	3
		01b	<i>ww = 2</i>	4	6	12	2	5	8	16	3
		10b	<i>ww = 3</i>	4	9	16	3	5	12	20	3
		11b	<i>ww = 4</i>	4	12	20	4	5	16	24	3
10b	<i>suw = 2</i>	00b	<i>ww = 1</i>	8	2	12	2	9	4	16	3
		01b	<i>ww = 2</i>	8	5	16	3	9	8	20	3
		10b	<i>ww = 3</i>	8	8	20	4	9	12	24	3
		11b	<i>ww = 4</i>	8	11	20	1	9	16	28	3
11b	<i>suw = 3</i>	00b	<i>ww = 1</i>	10	3	16	3	13	4	20	3
		01b	<i>ww = 2</i>	10	6	20	4	13	8	24	3
		10b	<i>ww = 3</i>	10	9	20	1	13	12	28	3
		11b	<i>ww = 4</i>	10	12	24	2	13	16	32	3

26.3.3 Software Commands

In CPU rewrite mode, software commands enable program and erase operations for the flash memory. Writing commands and reading/writing data should be performed in 16-bit units.

Table 26.15 lists the software commands.

Table 26.15 Software Commands

Command	First Command Cycle		Second Command Cycle	
	Address	Data	Address	Data
Enter read array mode	FFFFFF800h	00FFh	—	—
Enter read status register mode ⁽¹⁾	FFFFFF800h	0070h	—	—
Clear status register	FFFFFF800h	0050h	—	—
Program ⁽²⁾	FFFFFF800h	0043h	WA	WD
Block erase	FFFFFF800h	0020h	BA	00D0h
Lock bit program	FFFFFF800h	0077h	BA	00D0h
Read lock bit status	FFFFFF800h	0071h	BA	00D0h
Enter read lock bit status mode ⁽³⁾	FFFFFF800h	0071h	—	—
Protect bit program	FFFFFF800h	0067h	PBA	00D0h
Enter read protect bit status mode ⁽³⁾	FFFFFF800h	0061h	—	—

WA: Even address to be written

WD: 16-bit data to be written

BA: Even address within a specific block

PBA: Protect bit address (refer to Table 26.4)

Notes:

1. This command cannot be executed in EW1 mode.
2. The program is performed in 64-bit (4-word) units. A sequence of commands consists of commands from the second to fifth. The upper 29 bits of the address WA should be fixed and the lower 3 bits of respective commands from the second to fifth should be set to 000b, 010b, 100b, and 110b for the addresses 0h, 2h, 4h, and 6h, or 8h, Ah, Ch, and Eh.
3. This command should be executed in RAM.

26.3.4 Mode Transition

CPU rewrite mode supports four flash memory operating modes:

- Read array mode
- Read status register mode
- Read lock bit status mode
- Read protect bit status mode

When reading the flash memory in these modes, the memory data, the status register value, the state of the lock bit in the read block, and the state of the protect bit are individually read. Details are listed in Tables 26.16 to 26.18.

Table 26.16 Status Register

Bit	Bit Symbol	Bit Name	Definition	
			0	1
b15-b8	—	Disabled bit	—	—
b7	SR7	Sequencer status	BUSY	READY
b6	—	Reserved bit	—	—
b5	SR5	Erase status	Successfully completed	Error
b4	SR4	Program status	Successfully completed	Error
b3	—	Reserved bit	—	—
b2	—	Reserved bit	—	—
b1	—	Reserved bit	—	—
b0	—	Reserved bit	—	—

Table 26.17 Lock Bit Status

Bit	Bit Symbol	Bit Name	Definition	
			0	1
b15-b7	—	Disabled bit	—	—
b6	LBS	Lock bit status	Locked	Unlocked
b5-b0	—	Disabled bit	—	—

Table 26.18 Protect Bit Status

Bit	Bit Symbol	Bit Name	Definition	
			0	1
b15-b7	—	Disabled bit	—	—
b6	PBS	Protect bit status	Protected	Unprotected
b5-b0	—	Disabled bit	—	—

In these operating modes, program or erase operation can be performed by software commands. After an operation is completed, the flash memory module automatically enters read array mode (in EW1 mode) or read status register mode (in EW0 mode).

26.3.5 Issuing Software Commands

This section describes how to issue software commands.

These commands should be issued while the RDY bit in the FMSR0 register is 1 (ready).

26.3.5.1 Enter Read Array Mode Command

Execute this command to enter read array mode.

When 00FFh is written to address FFFF800h, the flash memory enters read array mode. In this mode, the value stored to a given address in memory can be read.

In EW1 mode, the flash memory is always in read array mode.

26.3.5.2 Enter Read Status Register Mode

Execute this command to enter read status register mode.

When 0070h is written to address FFFF800h, the status register value is read in any address of the flash memory.

Do not issue this command in EW1 mode.

26.3.5.3 Clear Status Register

Execute this command to reset the status register in the flash memory.

When 0050h is written to address FFFF800h, bits SR5 and SR4 in the status register become 0 (successfully completed) (refer to Table 26.16). Consequently, bits EERR and WERR in the FMSR0 register become 0 (no errors).

26.3.5.4 Program Command

Execute this command to program the flash memory in 8-byte (4-word) units.

To start automatic programming (program and program-verify operations), write 0043h to address FFFF800h, then write data to addresses $8n + 0$ to $8n + 6$. Verify that the FCA bit in the FMR0 register is 0 just before executing the final command.

To monitor the automatic program operation, read the RDY bit in the FMSR0 register. This bit becomes 0 (busy) when the operation is in progress and 1 (ready) when the operation is completed.

The operation result can be verified by the WERR bit in the FMSR0 register (refer to 26.3.6 “Status Check”).

Do not write additional data to an address that is already programmed.

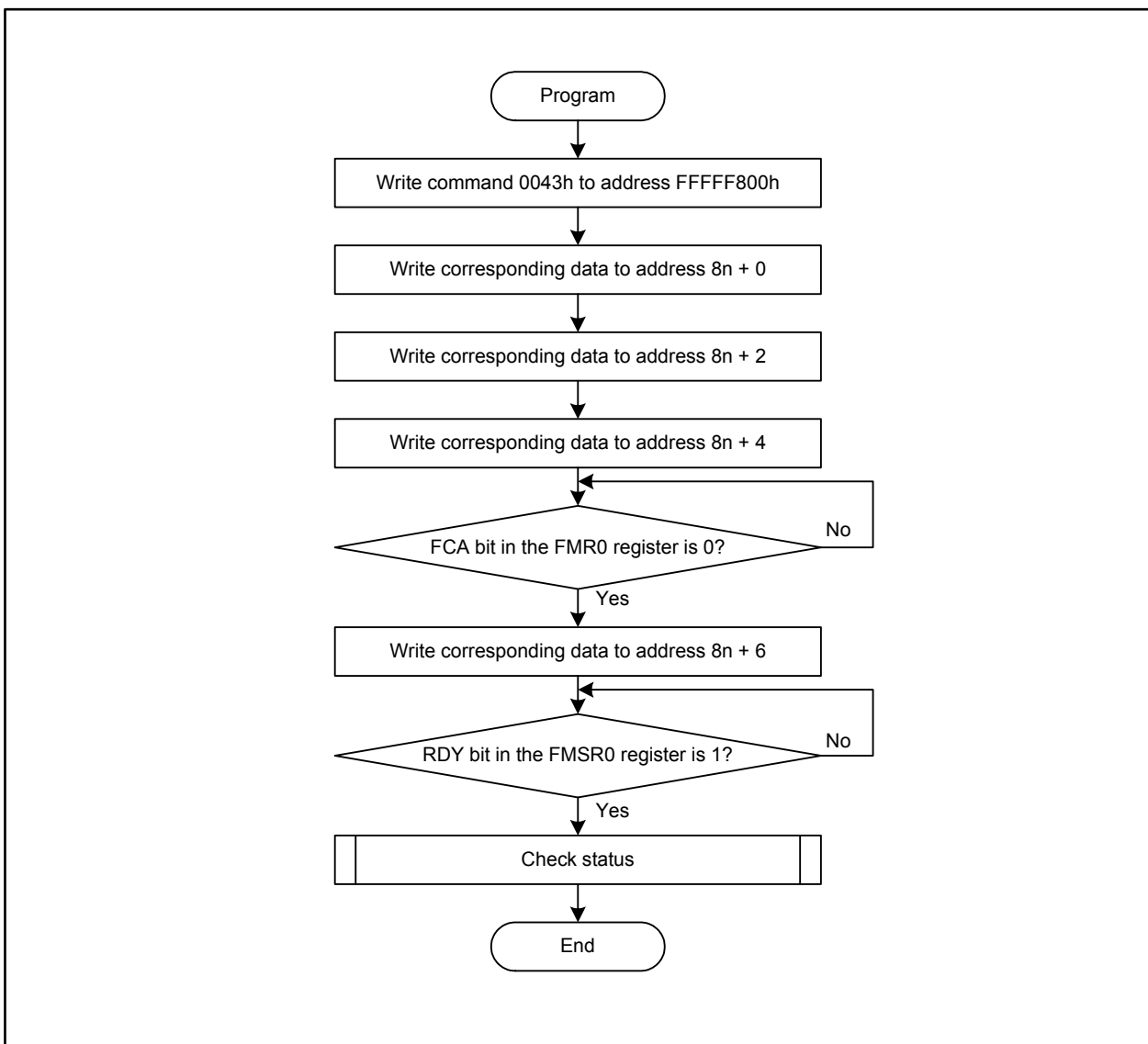


Figure 26.15 Program Command Execution Flowchart

26.3.5.5 Block Erase Command

Execute this command to erase a specified block in the flash memory.

To start automatic erasing of a specified block (erase and erase-verify operations), write 0020h to address FFFFF800h, verify that the FCA bit in the FMR0 register is 0, then write 00D0h to an even address in the corresponding block.

To monitor the automatic erase operation, read the RDY bit in the FMSR0 register. This bit becomes 0 (busy) when the operation is in progress and 1 (ready) when the operation is completed.

The operation result can be verified by the EERR bit in the FMSR0 register (refer to 26.3.6 “Status Check”).

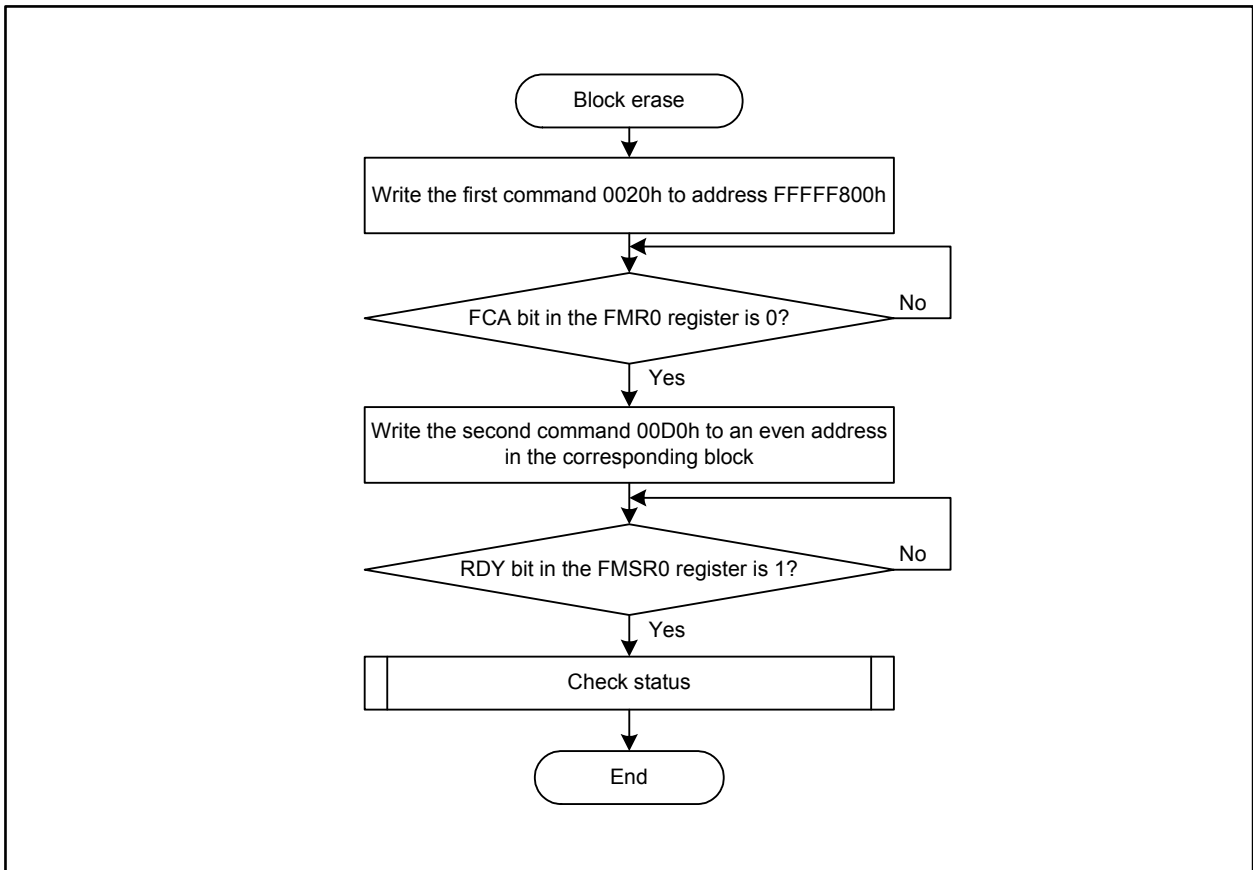


Figure 26.16 Block Erase Command Execution Flowchart

26.3.5.6 Lock Bit Program Command

Execute this command to lock a specified block in the flash memory.

To lock the block, write 0077h to address FFFF800h, verify that the FCA bit in the FMR0 register is 0, then write 00D0h to an even address in the corresponding block. Then the lock bit of the block becomes 0 (locked).

To monitor the lock bit program, read the RDY bit in the FMSR0 register. This bit becomes 0 (busy) when the operation is in progress and 1 (ready) when the operation is completed.

The state of the lock bit can be verified by the read lock bit status command if the LBM bit in the FMR0 register is 1 (read by the LBS bit) (refer to 26.3.5.7 "Read Lock Bit Status Command"). If the LBM bit is 0 (read via data bus), enter read lock bit status mode (refer to 26.3.5.8 "Enter Read Lock Bit Status Mode Command").

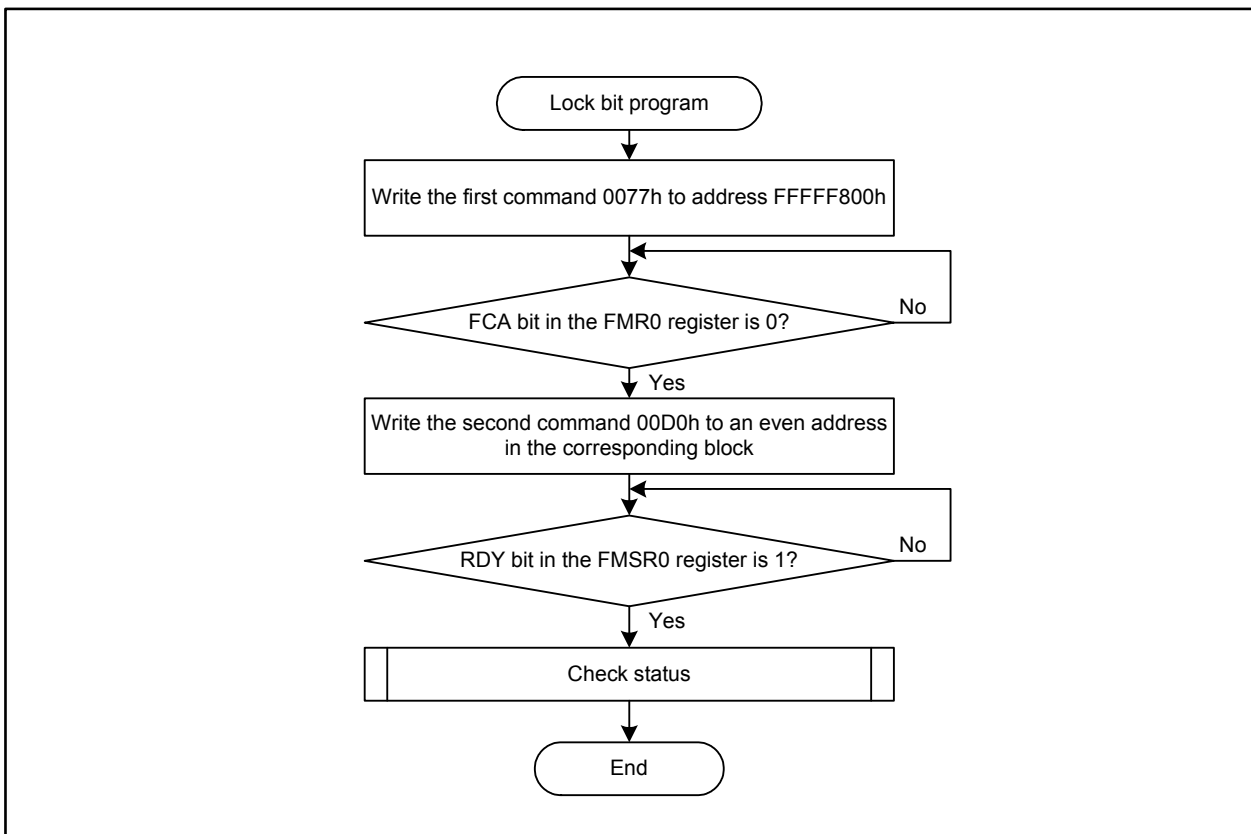


Figure 26.17 Lock Bit Program Command Execution Flowchart

26.3.5.7 Read Lock Bit Status Command

Execute this command to verify if a specified block in the flash memory is locked. This command can be used when the LBM bit in the FMR0 register is 1 (read by the LBS bit).

The LBS bit in the FMSR0 register reflects the lock bit status of the specified block when the following is performed: first write 0071h to address FFFFF800h and verify that the FCA bit in the FMR0 register becomes 0. Then write 00D0h to an even address of the corresponding block.

Read the LBS bit after the RDY bit in the FMSR0 register becomes 1 (ready).

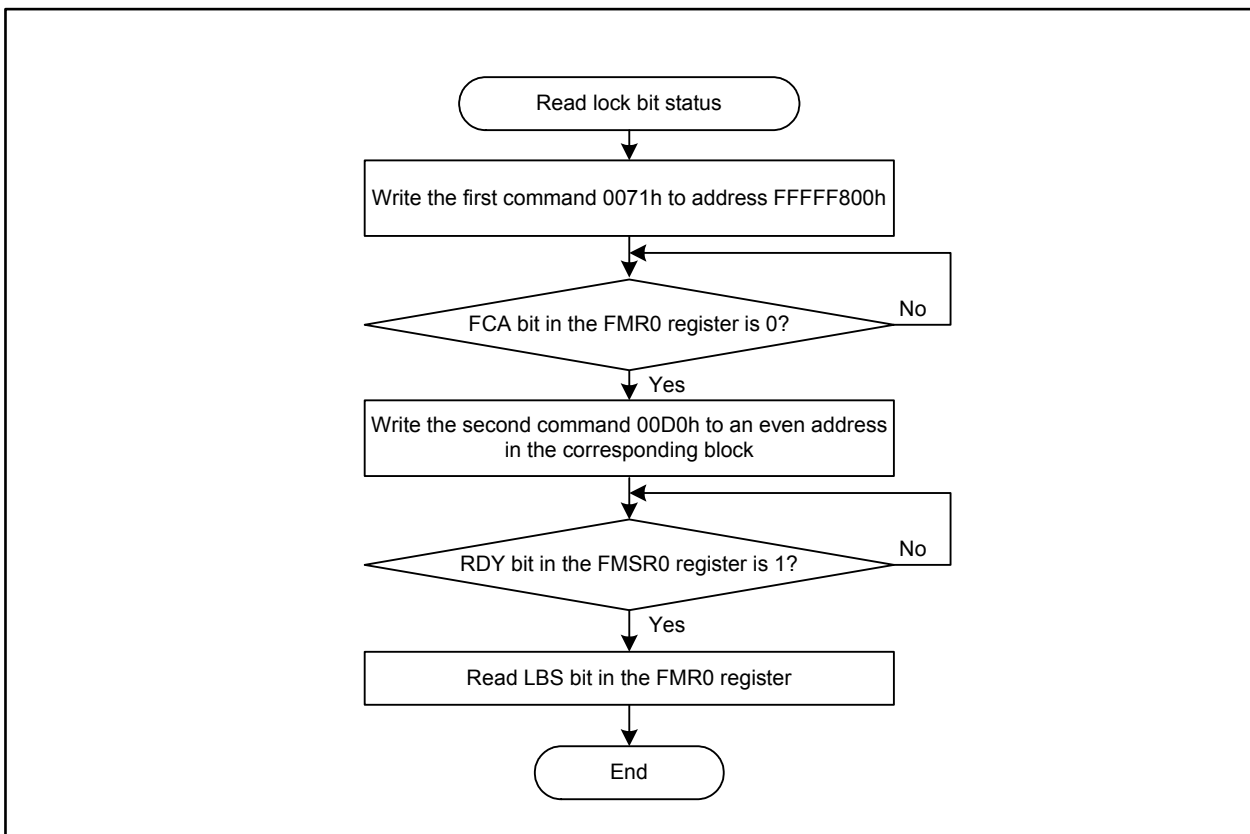


Figure 26.18 Read Lock Bit Status Command Execution Flowchart

26.3.5.8 Enter Read Lock Bit Status Mode Command

Execute this command to enter read lock bit status mode. This command is enabled when the LBM bit in the FMR0 register is 0 (read via data bus).

To read the lock bit status of the read block, write 0071h to address FFFFF800h (refer to Table 26.17).

The status is read in any address of the flash memory.

Execute this command in RAM.

26.3.5.9 Protect Bit Program Command

Execute this command to protect a specific block in the flash memory. ROM code protection is enabled by setting one of the protect bits of the block to 0.

To set the protect bit of the designated block to 0 (protected), write 0067h to address FFFFF800h, verify that the FCA bit in the FMR0 register is 0, and then write 00D0h to the protect bit of the corresponding block (refer to Table 26.4).

To monitor the protect bit program, read the RDY bit in the FMSR0 register. This bit becomes 0 (busy) when the operation is in progress and 1 (ready) when the operation is completed.

To verify the state of protect bit, enter read protect bit status mode (refer to 26.3.5.10 “Enter Read Protect Bit Status Mode Command”), then read the flash memory.

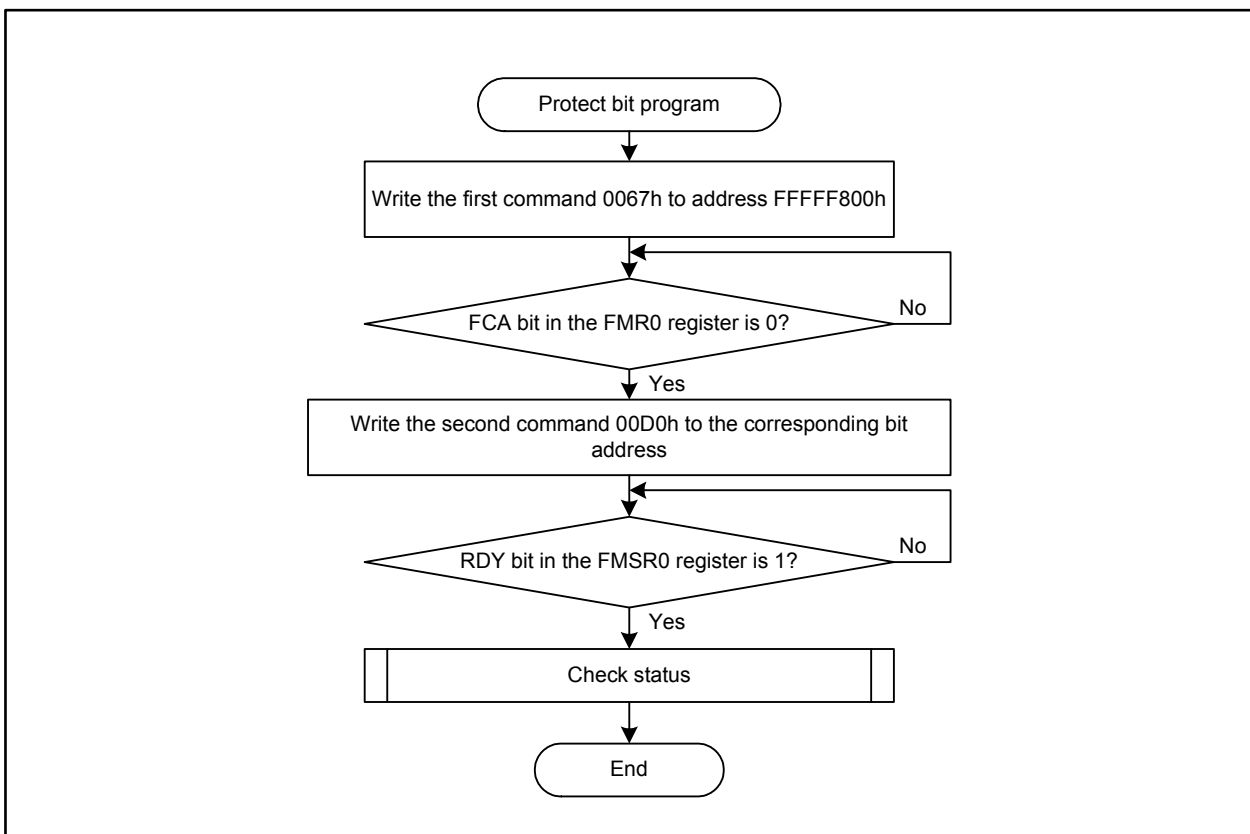


Figure 26.19 Protect Bit Program Command Execution Flowchart

26.3.5.10 Enter Read Protect Bit Status Mode Command

Execute this command to enter read protect bit status mode.

To read the protect bit status of the read block, write 0061h to address FFFFF800h (refer to Table 26.18). The status is read from any address in the flash memory.

Execute this command in RAM.

26.3.6 Status Check

To verify if a software command is successfully executed, read the EERR or WERR bit in the FMSR0 register, or the SR5 bit or SR4 bit in the status register.

Table 26.19 lists status and errors indicated by these bits and Figure 26.20 shows the flowchart of the status check.

Table 26.19 Status and Errors

FMSR0 Register (Status Register)		Error	Source of Error
EERR bit (SR5 bit)	WERR bit (SR4 bit)		
1	1	Command sequence error	<ul style="list-style-type: none"> Data other than 00D0h or 00FFh (command to cancel) was written as the last command of two commands An unavailable address was specified by an address specifying command
1	0	Erase error	<ul style="list-style-type: none"> Attempted to erase a locked block Corresponding block was not erased properly
0	1	Program error	<ul style="list-style-type: none"> Attempted to program a locked block Data was not programmed properly Lock bit was not programmed properly Protect bit was not programmed properly
0	0	No error	

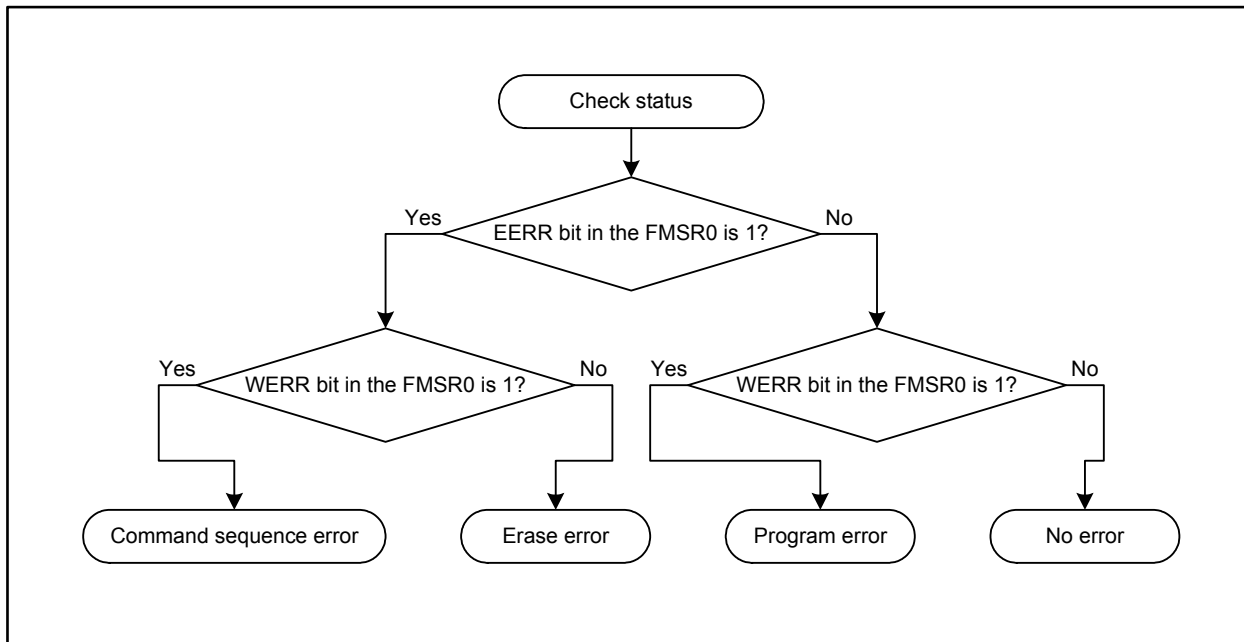


Figure 26.20 Status Check Flowchart

When an error occurs, execute the clear status register command and then handle the error.

If erase errors or program errors occur frequently even though the program is correct, the corresponding block may be disabled.

26.4 Standard Serial I/O Mode

In standard serial I/O mode, an R32C/116 Group compatible serial programmer can be used to rewrite the flash memory while the MCU is mounted on a board.

For further information on the serial programmer, contact your serial programmer manufacturer and refer to the user's manual included with the serial programmer for instructions.

As shown in Table 26.20, this mode provides two types of transmit/receive mode: Standard serial I/O mode 1 which uses a synchronous serial interface, and standard serial I/O mode 2 which uses UART.

Table 26.20 Standard Serial I/O Mode Specifications

Item		Standard Serial I/O Mode 1	Standard Serial I/O Mode 2
Transmit/receive mode		Synchronous serial I/O	UART
Transmit/receive bit rate		High	Low
Serial interface to be used		UART1	UART1
Pin settings	CNVSS	High	High
	$\overline{\text{CE}}$ (P5_0)	High	High
	EPM (P5_5)	Low	Low
	SCLK (P6_5)	In reset: Low In transmission/reception: Transmit/receive clock	In reset: Low In transmission/reception: Unused
Pin functions	BUSY (P6_4)	BUSY signal	Monitor to check program operation
	RXD (P6_6)	Serial data input	Serial data input
	TXD (P6_7)	Serial data output	Serial data output

Table 26.21 lists the pin definitions and functions in standard serial I/O mode. Figures 26.21 and 26.22 show examples of a circuit application in standard serial I/O modes 1 and 2, respectively. Refer to the serial programmer user manual to handle pins controlled by the serial programmer.

Table 26.21 Pin Definitions and Functions in Standard Serial I/O Mode

Pin Name	Function	I/O	Description
VCC, VSS	Power supply input	I	Applicable as follows: VCC = guaranteed voltage for program/erase operations, VSS = 0 V
VDC1, VDC0	Connecting pins for decoupling capacitor	—	A decoupling capacitor for internal voltage should be connected between VDC0 and VDC1
CNVSS	CNVSS	I	This pin should be connected to VCC via a resistor
RESET	Reset input	I	Reset input pin. While the RESET pin is driven low, at least 20 clock cycles should be input at the XIN pin
XIN	Main clock input	I	A ceramic resonator or a crystal oscillator should be connected between pins XIN and XOUT. An external clock should be input at XIN while leaving XOUT open
XOUT	Main clock output	O	
NSD	Debug port	I/O	This pin should be connected to VCC via a resistor of 1 to 4.7 kΩ
AVCC, AVSS	Analog power supply	I	AVCC and AVSS should be connected to VCC and VSS, respectively
VREF	Reference voltage input	I	Reference voltage input for the A/D converter and D/A converter
P0_0 to P0_7, P1_0 to P1_7, P2_0 to P2_7, P3_0 to P3_7, P4_0 to P4_7	Input port	I	High or low should be input, or the ports should be left open
P5_0	CE input	I	High should be input
P5_1 to P5_4	Input port	I	High or low should be input, or the ports should be left open
P5_5	EPM input	I	Low should be input
P5_6, P5_7, P6_0 to P6_3	Input port	I	High or low should be input, or the ports should be left open
P6_4	BUSY output	O	Standard serial I/O mode 1: BUSY output pin Standard serial I/O mode 2: Program operation monitor
P6_5	SCLK input	I	Standard serial I/O mode 1: Serial clock input pin Standard serial I/O mode 2: Low should be input
P6_6	Data input RXD	I	Serial data input pin
P6_7	Data output TXD	O	Serial data output pin
P7_0 to P7_7, P8_0 to P8_4	Input port	I	High or low should be input, or the ports should be left open
P8_5	NMI input	I	This pin should be connected to VCC via a resistor
P8_6, P8_7, P9_0 to P9_7, P10_0 to P10_7, P11_0 to P11_4, P12_0 to P12_7, P13_0 to P13_7, P14_1, P14_3 to P14_6, P15_0 to P15_7 (1)	Input port	I	High or low should be input, or the ports should be left open

Note:

1. Ports P9_0, P9_2, and P11 to P15 are available in the 144-pin package only.

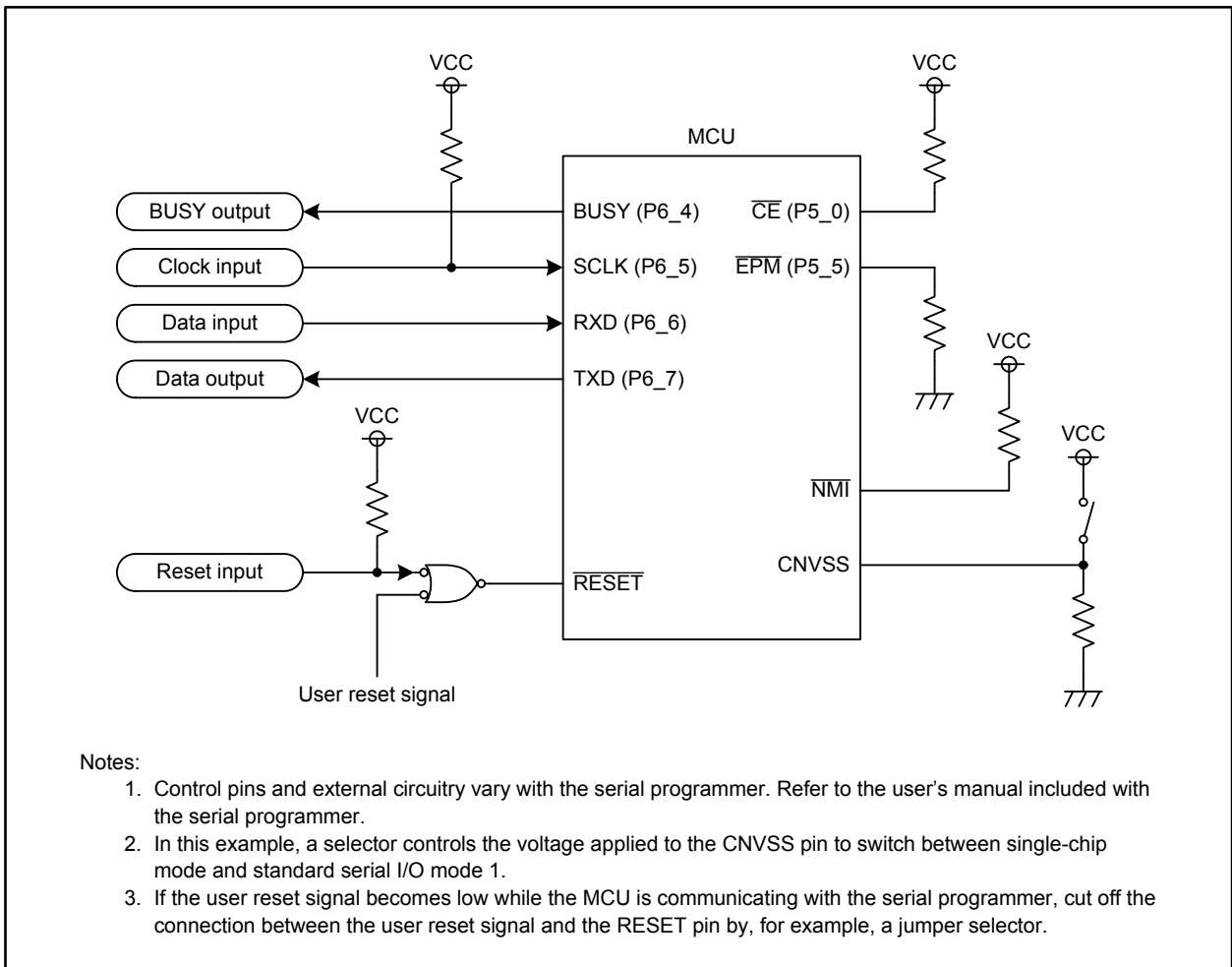


Figure 26.21 Circuit Application in Standard Serial I/O Mode 1

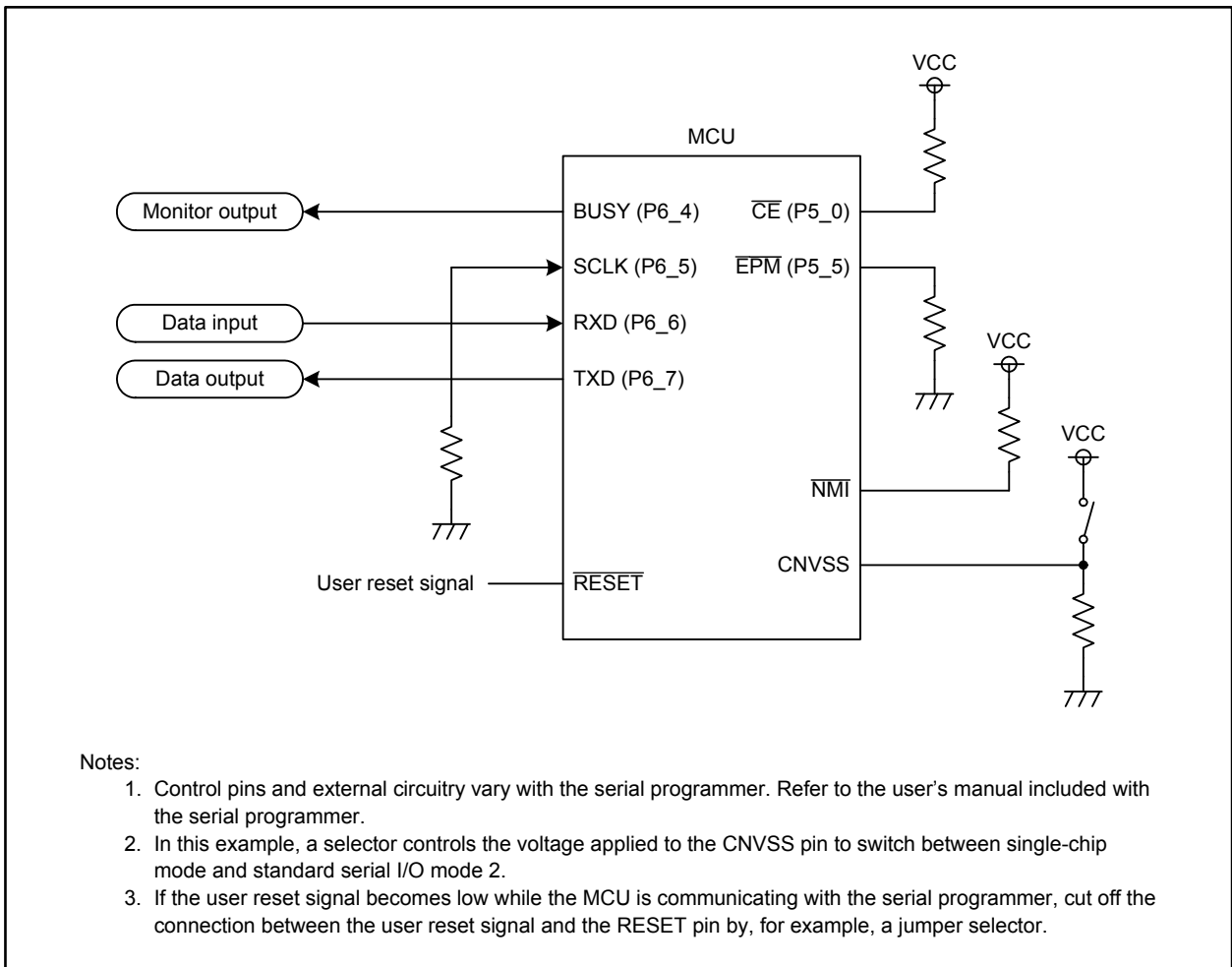


Figure 26.22 Circuit Application in Standard Serial I/O Mode 2

26.5 Parallel I/O mode

In parallel I/O mode, an R32C/116 Group compatible parallel programmer can be used to rewrite the flash memory.

For further information on the parallel programmer, contact your parallel programmer manufacturer and refer to the user's manual included with your parallel programmer for instructions.

26.6 Notes on Flash Memory Rewriting

26.6.1 Note on Power Supply

- Keep the supply voltage constant within the range specified in the electrical characteristics while a rewrite operation on the flash memory is in progress. If the supply voltage goes beyond the guaranteed value, the device cannot be guaranteed.

26.6.2 Note on Hardware Reset

- Do not perform a hardware reset while a rewrite operation on the flash memory is in progress.

26.6.3 Note on Flash Memory Protection

- If an ID code written in an assigned address has an error, any read/write operation on the flash memory in standard serial I/O mode is disabled.

26.6.4 Notes on Programming

- Do not set the FEW bit in the FMCR register to 1 (CPU rewrite mode) in low speed mode or low power mode.
- The program, block erase, lock bit program, and protect bit program are interrupted by an NMI, a watchdog timer interrupt, an oscillator stop detection interrupt, or a low voltage detection interrupt. If any of the software commands above are interrupted, erase the corresponding block and then execute the same command again. If the block erase command is interrupted, the lock bit and protect bit values become undefined. Therefore, disable the lock bit, and then execute the block erase command again.

26.6.5 Notes on Interrupts

- EW0 mode
 - To use interrupts assigned to the relocatable vector table, the vector table should be addressed in RAM space.
 - When an NMI, watchdog timer interrupt, oscillator stop detection interrupt, or low voltage detection interrupt occurs, the flash memory module automatically enters read array mode. Therefore, these interrupts are enabled even during a rewrite operation. However, the rewrite operation in progress is aborted by the interrupts and registers FMR0 and FRSR0 are reset. When the interrupt handler has ended, set the LBD bit in the FMR1 register to 1 (lock bit protection disabled) to re-execute the rewrite operation.
 - Instructions BRK, INTO, and UND, which refer to data on the flash memory, cannot be used in this mode.
- EW1 mode
 - Interrupts assigned to the relocatable vector table should not be accepted during program or block erase operation.
 - The watchdog timer interrupt should not be generated.
 - When an NMI, watchdog timer interrupt, oscillator stop detection interrupt, or low voltage detection interrupt occurs, the flash memory module automatically enters read array mode. Therefore, these interrupts are enabled even during a rewrite operation. However, the rewrite operation in progress is aborted by the interrupts and registers FMR0 and FRSR0 are reset. When the interrupt handler has ended, set the EWM bit in the FMR0 register to 1 (EW1 mode) and the LBD bit in the FMR1 register to 1 (lock bit protection disabled) to re-execute the rewrite operation.

26.6.6 Notes on Rewrite Control Program

- EW0 mode
 - If the supply voltage drops during the rewrite operation of blocks having the rewrite control program, the rewrite control program may not be successfully rewritten, and the rewrite operation itself may not be performed. In this case, perform the rewrite operation by serial programmer or parallel programmer.
- EW1 mode
 - Do not rewrite blocks having the rewrite control program.

26.6.7 Notes on Number of Program/Erase Cycles and Software Command Execution Time

- The time to execute software commands (program, block erase, lock bit program, and protect bit program) increases as the number of program/erase cycles increases. If the number of program/erase cycles exceeds the endurance value specified in the electrical characteristics, it may take an unpredictable amount of time to execute the software commands. The wait time for executing software commands should be set much longer than the execution time specified in the electrical characteristics.

26.6.8 Other Notes

- The minimum values of program/erase cycles specified in the electrical characteristics are the maximum values that can guarantee the initial performance of the flash memory. The program/erase operation may still be performed even if the number of program/erase cycles exceeds the guaranteed values.
- Chips repeatedly programmed and erased for debugging should not be used for commercial products.

27. Electrical Characteristics

Table 27.1 Absolute Maximum Ratings (1)

Symbol	Characteristic		Condition	Value	Unit
V_{CC}	Supply voltage		$V_{CC} = AV_{CC}$	-0.3 to 6.0	V
AV_{CC}	Analog supply voltage		$V_{CC} = AV_{CC}$	-0.3 to 6.0	V
V_I	Input voltage	XIN, RESET, CNVSS, NSD, V_{REF} , P0_0 to P0_7, P1_0 to P1_7, P2_0 to P2_7, P3_0 to P3_7, P5_0 to P5_3, P8_4 to P8_7, P9_0 to P9_7, P10_0 to P10_7, P11_0 to P11_4, P12_0 to P12_7, P13_0 to P13_7, P14_1, P14_3 to P14_6, P15_0 to P15_7 (2)		-0.3 to $V_{CC} + 0.3$	V
		P4_0 to P4_7, P5_4 to P5_7, P6_0 to P6_7, P7_0 to P7_7, P8_0 to P8_3		-0.3 to 6.0	V
V_O	Output voltage	XOUT, P0_0 to P0_7, P1_0 to P1_7, P2_0 to P2_7, P3_0 to P3_7, P4_0 to P4_7, P5_0 to P5_7, P6_0 to P6_7, P7_0 to P7_7, P8_0 to P8_4, P8_6, P8_7, P9_0 to P9_7, P10_0 to P10_7, P11_0 to P11_4, P12_0 to P12_7, P13_0 to P13_7, P14_3 to P14_6, P15_0 to P15_7 (2)		-0.3 to $V_{CC} + 0.3$	V
P_d	Power consumption		$T_a = 25^\circ\text{C}$	500	mW
—	Operating temperature range			-40 to 85	$^\circ\text{C}$
T_{stg}	Storage temperature range			-65 to 150	$^\circ\text{C}$

Notes:

1. Stresses above those listed under “Absolute Maximum Ratings” may cause permanent damage to the device. This is a stress rating only and functional operation of the device at these or any other conditions above those indicated in the operational sections of this specification is not implied. Exposure to absolute maximum rating conditions for extended periods may affect device reliability.
2. Ports P9_0, P9_2, and P11 to P15 are available in the 144-pin package only. Port P9_1 is designated as input pin in the 100-pin package.

Table 27.2 Operating Conditions (1/5) (1)

Symbol	Characteristic		Value			Unit	
			Min.	Typ.	Max.		
V _{CC}	Digital supply voltage		3.0	5.0	5.5	V	
AV _{CC}	Analog supply voltage			V _{CC}		V	
V _{REF}	Reference voltage		3.0		V _{CC}	V	
V _{SS}	Digital ground voltage			0		V	
AV _{SS}	Analog ground voltage			0		V	
dV _{CC} /dt	V _{CC} ramp up rate (V _{CC} < 2.0 V)		0.05			V/ms	
V _{IH}	High level input voltage	XIN, $\overline{\text{RESET}}$, CNVSS, NSD, P2_0 to P2_7, P3_0 to P3_7, P5_0 to P5_3, P8_4 to P8_7 (2), P9_0 to P9_7, P10_0 to P10_7, P11_0 to P11_4, P14_1, P14_3 to P14_6, P15_0 to P15_7 (3)	0.8 × V _{CC}		V _{CC}	V	
		P4_0 to P4_7, P5_4 to P5_7, P6_0 to P6_7, P7_0 to P7_7, P8_0 to P8_3	0.8 × V _{CC}		6.0	V	
		P0_0 to P0_7, P1_0 to P1_7, P12_0 to P12_7, P13_0 to P13_7 (3)	0.8 × V _{CC}		V _{CC}	V	
			in single-chip mode	0.8 × V _{CC}		V _{CC}	V
		in memory expansion mode or microprocessor mode	0.5 × V _{CC}		V _{CC}	V	
V _{IL}	Low level input voltage	XIN, $\overline{\text{RESET}}$, CNVSS, NSD, P2_0 to P2_7, P3_0 to P3_7, P4_0 to P4_7, P5_0 to P5_7, P6_0 to P6_7, P7_0 to P7_7, P8_0 to P8_7 (2), P9_0 to P9_7, P10_0 to P10_7, P11_0 to P11_4, P14_1, P14_3 to P14_6, P15_0 to P15_7 (3)	0		0.2 × V _{CC}	V	
		P0_0 to P0_7, P1_0 to P1_7, P12_0 to P12_7, P13_0 to P13_7 (3)	0		0.2 × V _{CC}	V	
			in single-chip mode	0		0.2 × V _{CC}	V
			in memory expansion mode or microprocessor mode	0		0.16 × V _{CC}	V
T _{opr}	Operating temperature range	N version	-20		85	°C	
		D version	-40		85	°C	
		P version	-40		85	°C	

Notes:

- The device is operationally guaranteed under these operating conditions.
- V_{IH} and V_{IL} for P8_7 are specified for P8_7 as a programmable port. These values are not applicable for P8_7 as XCIN.
- Ports P9_0, P9_2, and P11 to P15 are available in the 144-pin package only. Port P9_1 is designated as input pin in the 100-pin package.

Table 27.3 Operating Conditions (2/5)**($V_{CC} = 3.0$ to 5.5 V, $V_{SS} = 0$ V, and $T_a = T_{opr}$, unless otherwise noted) (1)**

Symbol	Characteristic		Value (2)			Unit
			Min.	Typ.	Max.	
C_{VDC}	Decoupling capacitance for voltage regulator	Inter-pin voltage: 1.5 V	2.4		10.0	μF

Notes:

1. The device is operationally guaranteed under these operating conditions.
2. This value should be met with due consideration to the following conditions: operating temperature, DC bias, aging, etc.

Table 27.4 Operating Conditions (3/5)**($V_{CC} = 3.0$ to 5.5 V, $V_{SS} = 0$ V, and $T_a = T_{opr}$, unless otherwise noted) (1)**

Symbol	Characteristic		Value			Unit
			Min.	Typ.	Max.	
$I_{OH(peak)}$	High level peak output current (2)	P0_0 to P0_7, P1_0 to P1_7, P2_0 to P2_7, P3_0 to P3_7, P4_0 to P4_7, P5_0 to P5_7, P6_0 to P6_7, P7_0 to P7_7, P8_0 to P8_4, P8_6, P8_7, P9_0 to P9_7, P10_0 to P10_7, P11_0 to P11_4, P12_0 to P12_7, P13_0 to P13_7, P14_3 to P14_6, P15_0 to P15_7 (3)			-10.0	mA
$I_{OH(avg)}$	High level average output current (4)	P0_0 to P0_7, P1_0 to P1_7, P2_0 to P2_7, P3_0 to P3_7, P4_0 to P4_7, P5_0 to P5_7, P6_0 to P6_7, P7_0 to P7_7, P8_0 to P8_4, P8_6, P8_7, P9_0 to P9_7, P10_0 to P10_7, P11_0 to P11_4, P12_0 to P12_7, P13_0 to P13_7, P14_3 to P14_6, P15_0 to P15_7 (3)			-5.0	mA
$I_{OL(peak)}$	Low level peak output current (2)	P0_0 to P0_7, P1_0 to P1_7, P2_0 to P2_7, P3_0 to P3_7, P4_0 to P4_7, P5_0 to P5_7, P6_0 to P6_7, P7_0 to P7_7, P8_0 to P8_4, P8_6, P8_7, P9_0 to P9_7, P10_0 to P10_7, P11_0 to P11_4, P12_0 to P12_7, P13_0 to P13_7, P14_3 to P14_6, P15_0 to P15_7 (3)			10.0	mA
$I_{OL(avg)}$	Low level average output current (4)	P0_0 to P0_7, P1_0 to P1_7, P2_0 to P2_7, P3_0 to P3_7, P4_0 to P4_7, P5_0 to P5_7, P6_0 to P6_7, P7_0 to P7_7, P8_0 to P8_4, P8_6, P8_7, P9_0 to P9_7, P10_0 to P10_7, P11_0 to P11_4, P12_0 to P12_7, P13_0 to P13_7, P14_3 to P14_6, P15_0 to P15_7 (3)			5.0	mA

Notes:

- The device is operationally guaranteed under these operating conditions.
- The following conditions should be satisfied:
 - The sum of $I_{OL(peak)}$ of ports P0, P1, P2, P8_6, P8_7, P9, P10, P11, P14, and P15 is 80 mA or less.
 - The sum of $I_{OL(peak)}$ of ports P3, P4, P5, P6, P7, P8_0 to P8_4, P12, and P13 is 80 mA or less.
 - The sum of $I_{OH(peak)}$ of ports P0, P1, P2, and P11 is -40 mA or less.
 - The sum of $I_{OH(peak)}$ of ports P8_6, P8_7, P9, P10, P14, and P15 is -40 mA or less.
 - The sum of $I_{OH(peak)}$ of ports P3, P4, P5, P12, and P13 is -40 mA or less.
 - The sum of $I_{OH(peak)}$ of ports P6, P7, and P8_0 to P8_4 is -40 mA or less.
- Ports P9_0, P9_2, and P11 to P15 are available in the 144-pin package only. Port P9_1 is designated as input pin in the 100-pin package.
- Average value within 100 ms.

Table 27.5 Operating Conditions (4/5)
 ($V_{CC} = 3.0$ to 5.5 V, $V_{SS} = 0$ V, and $T_a = T_{opr}$, unless otherwise noted) (1)

Symbol	Characteristic	Value			Unit
		Min.	Typ.	Max.	
$f_{(XIN)}$	Main clock oscillator frequency	4		16	MHz
$f_{(XRef)}$	Reference clock frequency	2		4	MHz
$f_{(PLL)}$	PLL clock oscillator frequency	96		128	MHz
$f_{(Base)}$	Base clock frequency	High speed version		64	MHz
		Normal speed version		50	MHz
$t_{c(Base)}$	Base clock cycle time	High speed version	15.625		ns
		Normal speed version	20		ns
$f_{(CPU)}$	CPU operating frequency	High speed version		64	MHz
		Normal speed version		50	MHz
$t_{c(CPU)}$	CPU clock cycle time	High speed version	15.625		ns
		Normal speed version	20		ns
$f_{(BCLK)}$	Peripheral bus clock operating frequency	High speed version		32	MHz
		Normal speed version		25	MHz
$t_{c(BCLK)}$	Peripheral bus clock cycle time	High speed version	31.25		ns
		Normal speed version	40		ns
$f_{(PER)}$	Peripheral clock source frequency			32	MHz
$f_{(XCIN)}$	Sub clock oscillator frequency		32.768	62.5	kHz

Note:

1. The device is operationally guaranteed under these operating conditions.

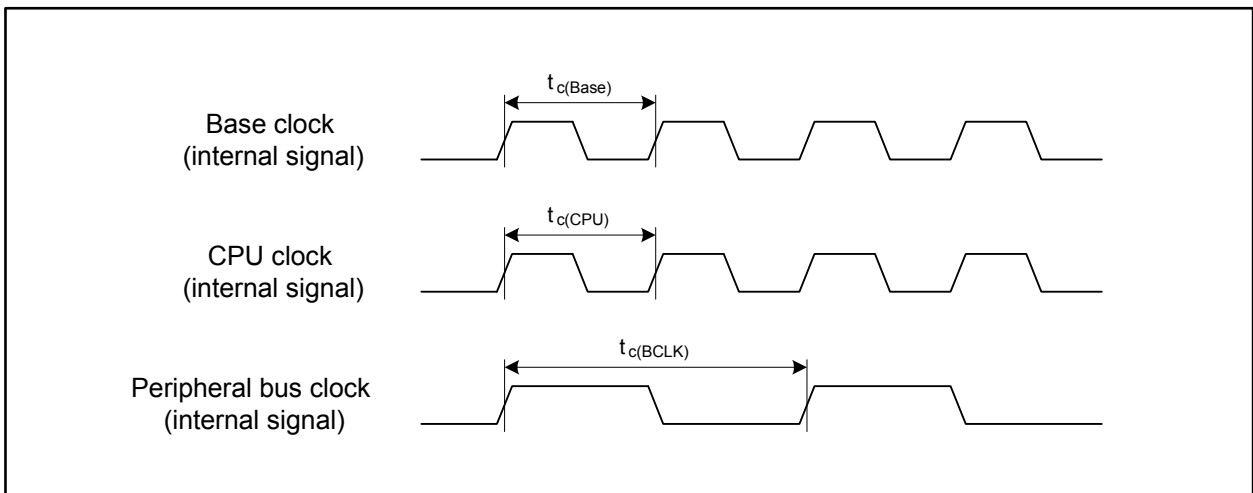


Figure 27.1 Clock Cycle Time

Table 27.6 Operating Conditions (5/5)**($V_{CC} = 3.0$ to 5.5 V, $V_{SS} = 0$ V, and $T_a = T_{opr}$, unless otherwise noted) (1)**

Symbol	Characteristic	Value			Unit
		Min.	Typ.	Max.	
$V_{r(VCC)}$	Allowable ripple voltage	$V_{CC} = 5.0$ V		0.5	Vp-p
		$V_{CC} = 3.0$ V		0.3	Vp-p
$dV_{r(VCC)}/dt$	Ripple voltage gradient	$V_{CC} = 5.0$ V		± 0.3	V/ms
		$V_{CC} = 3.0$ V		± 0.3	V/ms
$f_{r(VCC)}$	Allowable ripple frequency			10	kHz

Note:

1. The device is operationally guaranteed under these operating conditions.

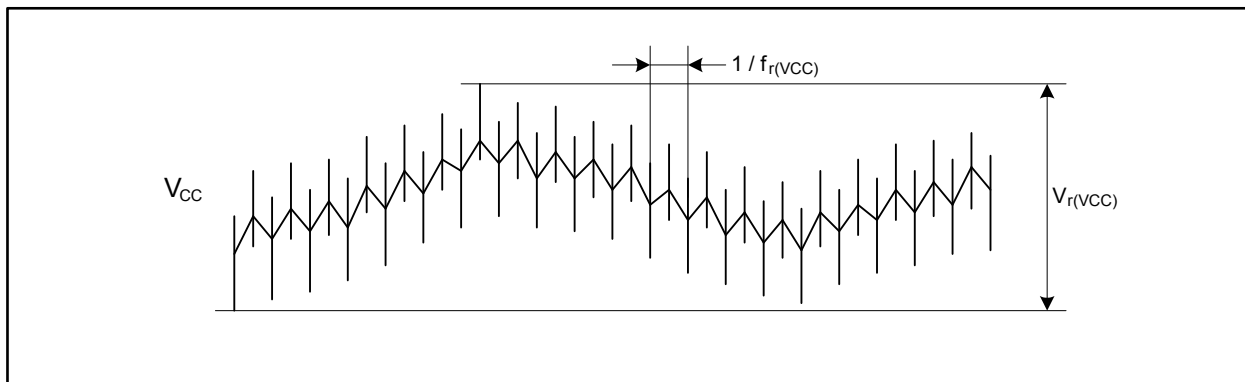
**Figure 27.2 Ripple Waveform**

Table 27.7 Electrical Characteristics of RAM
 ($V_{CC} = 3.0$ to 5.5 V, $V_{SS} = 0$ V, and $T_a = T_{opr}$, unless otherwise noted)

Symbol	Characteristic	Measurement Condition	Value			Unit
			Min.	Typ.	Max.	
V_{RDR}	RAM data retention voltage	In stop mode	2.0			V

Table 27.8 Electrical Characteristics of Flash Memory
 ($V_{CC} = 3.0$ to 5.5 V, $V_{SS} = 0$ V, and $T_a = T_{opr}$, unless otherwise noted)

Symbol	Characteristic		Value			Unit
			Min.	Typ.	Max.	
—	Program/erase cycles (1)	Program area	1000			Cycles
		Data area	10000			Cycles
—	4-word program time	Program area		150	900	μ s
		Data area		300	1700	μ s
—	Lock bit program time	Program area		70	500	μ s
		Data area		140	1000	μ s
—	Block erasure time	4-Kbyte block		0.12	3.0	s
		32-Kbyte block		0.17	3.0	s
		64-Kbyte block		0.20	3.0	s
—	Data retention (2)	$T_a = 55^\circ\text{C}$ (3)	10			Years

Notes:

1. Program/erase definition

This value represents the number of erasures per block.

When the number of program/erase cycles is n, each block can be erased n times.

For example, if a 4-word write is performed in 512 different addresses in the 4-Kbyte block A and then the block is erased, this is counted as a single program/erase operation.

However, the same address cannot be written to more than once per erasure (overwrite disabled).

2. Data retention includes periods when no supply voltage is applied and no clock is provided.

3. Contact a Renesas Electronics sales office for data retention times other than the above condition.

Table 27.9 Power Supply Circuit Timing Characteristics
 ($V_{CC} = 3.0$ to 5.5 V, $V_{SS} = 0$ V, and $T_a = T_{opr}$, unless otherwise noted)

Symbol	Characteristic	Measurement Condition	Value			Unit
			Min.	Typ.	Max.	
$t_{d(P-R)}$	Internal power supply start-up stabilization time after the main power supply is turned on				2	ms

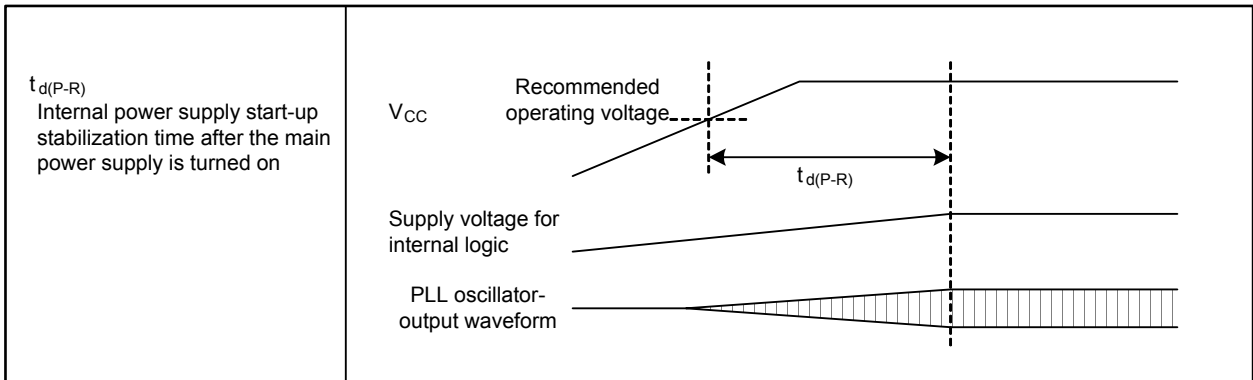


Figure 27.3 Power Supply Circuit Timing

Table 27.10 Electrical Characteristics of Voltage Regulator for Internal Logic
 ($V_{CC} = 3.0$ to 5.5 V, $V_{SS} = 0$ V, and $T_a = T_{opr}$, unless otherwise noted)

Symbol	Characteristics	Measurement Condition	Value			Unit
			Min.	Typ.	Max.	
V_{VDC1}	Output voltage			1.5		V

Table 27.11 Electrical Characteristics of Low Voltage Detector
 ($V_{CC} = 4.2$ to 5.5 V, $V_{SS} = 0$ V, and $T_a = T_{opr}$, unless otherwise noted)

Symbol	Characteristics	Measurement Condition	Value			Unit
			Min.	Typ.	Max.	
ΔV_{det}	Detected voltage error				± 0.3	V
$V_{det(R)} - V_{det(F)}$	Hysteresis width		0			V
—	Self-consuming current	$V_{CC} = 5.0$ V, low voltage detector enabled		4		μA
$t_{d(E-A)}$	Operation start time of low voltage detector				150	μs

Table 27.12 Electrical Characteristics of Oscillator
($V_{CC} = 3.0$ to 5.5 V, $V_{SS} = 0$ V, and $T_a = T_{opr}$, unless otherwise noted)

Symbol	Characteristics	Measurement Condition	Value			Unit
			Min.	Typ.	Max.	
$f_{SO(PLL)}$	PLL clock self-oscillation frequency		35	50	65	MHz
$t_{LOCK(PLL)}$	PLL lock time (1)				1	ms
$t_{jitter(p-p)}$	PLL jitter period (p-p)				2.0	ns
$f_{(OCO)}$	On-chip oscillator frequency		62.5	125	250	kHz

Note:

1. This value is applicable only when the main clock oscillation is stable.

Table 27.13 Electrical Characteristics of Clock Circuitry
($V_{CC} = 3.0$ to 5.5 V, $V_{SS} = 0$ V, and $T_a = T_{opr}$, unless otherwise noted)

Symbol	Characteristics	Measurement Condition	Value			Unit
			Min.	Typ.	Max.	
$t_{rec(WAIT)}$	Recovery time from wait mode to low power mode				225	μ s
$t_{rec(STOP)}$	Recovery time from stop mode (1)				225	μ s

Note:

1. The recovery time from stop mode does not include the main clock oscillation stabilization time. The CPU starts operating before the oscillator is stabilized.

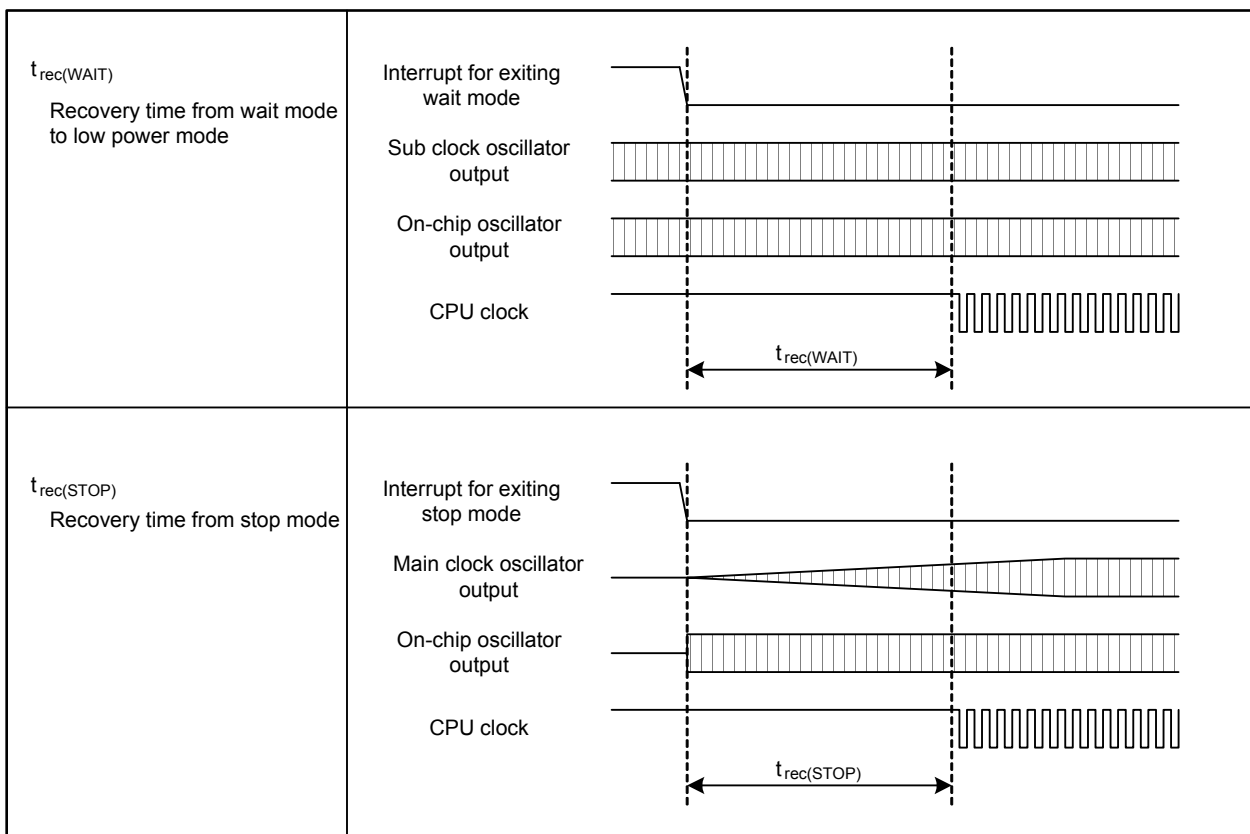


Figure 27.4 Clock Circuit Timing

Timing Requirements ($V_{CC} = 3.0$ to 5.5 V, $V_{SS} = 0$ V, and $T_a = T_{opr}$, unless otherwise noted)

Table 27.14 Flash Memory CPU Rewrite Mode Timing

Symbol	Characteristics	Value		Unit
		Min.	Max.	
t_{cR}	Read cycle time	200		ns
$t_{su(S-R)}$	Chip-select setup time before read	200		ns
$t_{h(R-S)}$	Chip-select hold time after read	0		ns
$t_{su(A-R)}$	Address setup time before read	200		ns
$t_{h(R-A)}$	Address hold time after read	0		ns
$t_{w(R)}$	Read pulse width	100		ns
t_{cW}	Write cycle time	200		ns
$t_{su(S-W)}$	Chip-select setup time before write	0		ns
$t_{h(W-S)}$	Chip-select hold time after write	30		ns
$t_{su(A-W)}$	Address setup time before write	0		ns
$t_{h(W-A)}$	Address hold time after write	30		ns
$t_{w(W)}$	Write pulse width	50		ns

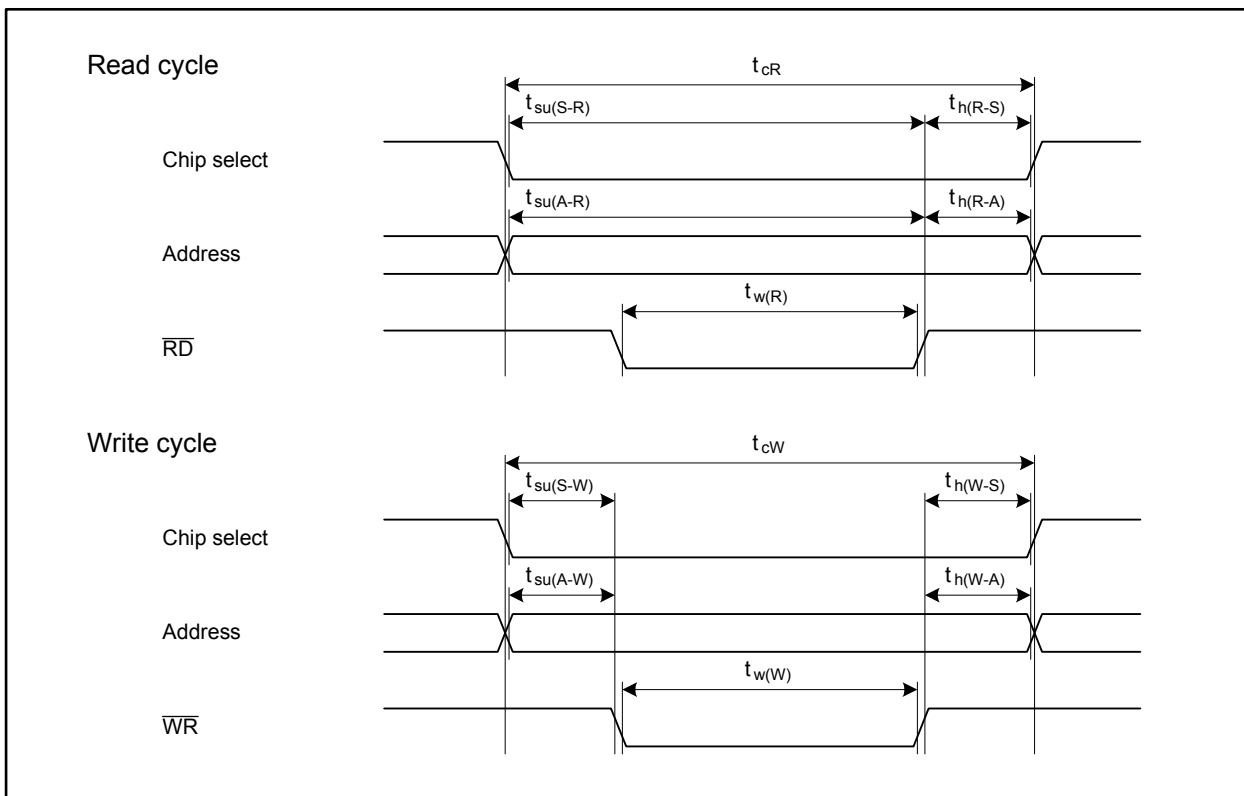


Figure 27.5 Flash Memory CPU Rewrite Mode Timing

$$V_{CC} = 5 \text{ V}$$

Table 27.15 Electrical Characteristics (1/3)

($V_{CC} = 4.2$ to 5.5 V , $V_{SS} = 0 \text{ V}$, $T_a = T_{opr}$, and $f_{(CPU)} = 64 \text{ MHz}$, unless otherwise noted)

Symbol	Characteristic		Measurement Condition	Value			Unit
				Min.	Typ.	Max.	
V_{OH}	High level output voltage	P0_0 to P0_7, P1_0 to P1_7, P2_0 to P2_7, P3_0 to P3_7, P4_0 to P4_7, P5_0 to P5_7, P6_0 to P6_7, P7_0 to P7_7, P8_0 to P8_4, P8_6, P8_7, P9_0 to P9_7, P10_0 to P10_7, P11_0 to P11_4, P12_0 to P12_7, P13_0 to P13_7, P14_3 to P14_6, P15_0 to P15_7 (1)	$I_{OH} = -5 \text{ mA}$	$V_{CC} - 2.0$		V_{CC}	V
		P0_0 to P0_7, P1_0 to P1_7, P2_0 to P2_7, P3_0 to P3_7, P4_0 to P4_7, P5_0 to P5_7, P6_0 to P6_7, P7_0 to P7_7, P8_0 to P8_4, P8_6, P8_7, P9_0 to P9_7, P10_0 to P10_7, P11_0 to P11_4, P12_0 to P12_7, P13_0 to P13_7, P14_3 to P14_6, P15_0 to P15_7 (1)	$I_{OH} = -200 \mu\text{A}$	$V_{CC} - 0.3$		V_{CC}	V
V_{OL}	Low level output voltage	P0_0 to P0_7, P1_0 to P1_7, P2_0 to P2_7, P3_0 to P3_7, P4_0 to P4_7, P5_0 to P5_7, P6_0 to P6_7, P7_0 to P7_7, P8_0 to P8_4, P8_6, P8_7, P9_0 to P9_7, P10_0 to P10_7, P11_0 to P11_4, P12_0 to P12_7, P13_0 to P13_7, P14_3 to P14_6, P15_0 to P15_7 (1)	$I_{OL} = 5 \text{ mA}$			2.0	V
		P0_0 to P0_7, P1_0 to P1_7, P2_0 to P2_7, P3_0 to P3_7, P4_0 to P4_7, P5_0 to P5_7, P6_0 to P6_7, P7_0 to P7_7, P8_0 to P8_4, P8_6, P8_7, P9_0 to P9_7, P10_0 to P10_7, P11_0 to P11_4, P12_0 to P12_7, P13_0 to P13_7, P14_3 to P14_6, P15_0 to P15_7 (1)	$I_{OL} = 200 \mu\text{A}$			0.45	V

Note:

- Ports P9_0, P9_2, and P11 to P15 are available in the 144-pin package only. Port P9_1 is designated as input pin in the 100-pin package.

$$V_{CC} = 5 \text{ V}$$

Table 27.16 Electrical Characteristics (2/3)

 $(V_{CC} = 4.2 \text{ to } 5.5 \text{ V}, V_{SS} = 0 \text{ V}, T_a = T_{opr}, \text{ and } f_{(CPU)} = 64 \text{ MHz, unless otherwise noted})$

Symbol	Characteristic	Measurement Condition	Value			Unit	
			Min.	Typ.	Max.		
$V_{T+} - V_{T-}$	Hysteresis	HOLD, RDY, NMI, INT0 to INT8, KI0 to KI3, TA0IN to TA4IN, TA0OUT to TA4OUT, TB0IN to TB5IN, CTS0 to CTS8, CLK0 to CLK8, RXD0 to RXD8, SCL0 to SCL6, SDA0 to SDA6, SS0 to SS6, SRXD0 to SRXD6, ADTRG, IIO0_0 to IIO0_7, IIO1_0 to IIO1_7, UD0A, UD0B, UD1A, UD1B, ISCLK2, ISRXD2, IEIN, MSCL, MSDA (1)					
		RESET		0.2	1.0	V	
I_{IH}	High level input current	XIN, RESET, CNVSS, NSD, P0_0 to P0_7, P1_0 to P1_7, P2_0 to P2_7, P3_0 to P3_7, P4_0 to P4_7, P5_0 to P5_7, P6_0 to P6_7, P7_0 to P7_7, P8_0 to P8_7, P9_0 to P9_7, P10_0 to P10_7, P11_0 to P11_4, P12_0 to P12_7, P13_0 to P13_7, P14_1, P14_3 to P14_6, P15_0 to P15_7 (2)	$V_I = 5 \text{ V}$		5.0	μA	
I_{IL}	Low level input current	XIN, RESET, CNVSS, NSD, P0_0 to P0_7, P1_0 to P1_7, P2_0 to P2_7, P3_0 to P3_7, P4_0 to P4_7, P5_0 to P5_7, P6_0 to P6_7, P7_0 to P7_7, P8_0 to P8_7, P9_0 to P9_7, P10_0 to P10_7, P11_0 to P11_4, P12_0 to P12_7, P13_0 to P13_7, P14_1, P14_3 to P14_6, P15_0 to P15_7 (2)	$V_I = 0 \text{ V}$		-5.0	μA	
R_{PULLUP}	Pull-up resistor	P0_0 to P0_7, P1_0 to P1_7, P2_0 to P2_7, P3_0 to P3_7, P5_0 to P5_3, P8_4, P8_6, P8_7, P9_0 to P9_7, P10_0 to P10_7, P11_0 to P11_4, P12_0 to P12_7, P13_0 to P13_7, P14_1, P14_3 to P14_6, P15_0 to P15_7 (2)	$V_I = 0 \text{ V}$	30	50	170	$\text{k}\Omega$
R_{fXIN}	Feedback resistor	XIN		1.5		$\text{M}\Omega$	
R_{fXCIN}	Feedback resistor	XCIN		15		$\text{M}\Omega$	

Notes:

1. Pins INT6 to INT8 are available in the 144-pin package only.
2. Ports P9_0, P9_2, and P11 to P15 are available in the 144-pin package only. Port P9_1 is designated as input pin in the 100-pin package.

$$V_{CC} = 5 V$$

Table 27.17 Electrical Characteristics (3/3)

 $(V_{CC} = 4.2 \text{ to } 5.5 V, V_{SS} = 0 V, \text{ and } T_a = T_{opr}, \text{ unless otherwise noted})$

Symbol	Characteristic	Measurement Condition	Value			Unit	
			Min.	Typ.	Max.		
I_{CC}	Power supply current	In single-chip mode, output pins are left open and others are connected to V_{SS}	$f_{(CPU)} = 64 \text{ MHz}, f_{(BCLK)} = 32 \text{ MHz},$ $f_{(XIN)} = 8 \text{ MHz},$ Active: XIN, PLL, Stopped: XCIN, OCO		45	60	mA
		XIN-XOUT Drive strength: low	$f_{(CPU)} = 50 \text{ MHz}, f_{(BCLK)} = 25 \text{ MHz},$ $f_{(XIN)} = 8 \text{ MHz},$ Active: XIN, PLL, Stopped: XCIN, OCO		35	50	mA
		XCIN-XCOUT Drive strength: low	$f_{(CPU)} = f_{SO(PLL)}/24 \text{ MHz},$ Active: PLL (self-oscillation), Stopped: XIN, XCIN, OCO		12		mA
			$f_{(CPU)} = f_{(BCLK)} = f_{(XIN)}/256 \text{ MHz},$ $f_{(XIN)} = 8 \text{ MHz},$ Active: XIN, Stopped: PLL, XCIN, OCO		1.2		mA
			$f_{(CPU)} = f_{(BCLK)} = 32.768 \text{ kHz},$ Active: XCIN, Stopped: XIN, PLL, OCO, Main regulator: shutdown		220		μA
			$f_{(CPU)} = f_{(BCLK)} = f_{(OCO)}/4 \text{ kHz},$ Active: OCO, Stopped: XIN, PLL, XCIN, Main regulator: shutdown		230		μA
			$f_{(CPU)} = f_{(BCLK)} = f_{(XIN)}/256 \text{ MHz},$ $f_{(XIN)} = 8 \text{ MHz},$ Active: XIN, Stopped: PLL, XCIN, OCO, $T_a = 25^\circ\text{C},$ Wait mode		960	1600	μA
			$f_{(CPU)} = f_{(BCLK)} = 32.768 \text{ kHz},$ Active: XCIN, Stopped: XIN, PLL, OCO, Main regulator: shutdown, $T_a = 25^\circ\text{C},$ Wait mode		8	140	μA
			$f_{(CPU)} = f_{(BCLK)} = f_{(OCO)}/4 \text{ kHz},$ Active: OCO, Stopped: XIN, PLL, XCIN, Main regulator: shutdown, $T_a = 25^\circ\text{C},$ Wait mode		10	150	μA
			Stopped: all clocks, Main regulator: shutdown, $T_a = 25^\circ\text{C}$		5	70	μA

$$V_{CC} = 5 \text{ V}$$

Table 27.18 A/D Conversion Characteristics ($V_{CC} = AV_{CC} = V_{REF} = 4.2$ to 5.5 V , $V_{SS} = AV_{SS} = 0 \text{ V}$, $T_a = T_{opr}$, and $f_{(BCLK)} = 32 \text{ MHz}$, unless otherwise noted)

Symbol	Characteristic	Measurement Condition	Value			Unit
			Min.	Typ.	Max.	
—	Resolution	$V_{REF} = V_{CC}$			10	Bits
—	Absolute error	$V_{REF} = V_{CC} = 5 \text{ V}$ AN_0 to AN_7, AN0_0 to AN0_7, AN2_0 to AN2_7, AN15_0 to AN15_7, ANEX0, ANEX1 (1)			± 3	LSB
			External op-amp connection mode			± 7
INL	Integral non-linearity error	$V_{REF} = V_{CC} = 5 \text{ V}$ AN_0 to AN_7, AN0_0 to AN0_7, AN2_0 to AN2_7, AN15_0 to AN15_7, ANEX0, ANEX1 (1)			± 3	LSB
			External op-amp connection mode			± 7
DNL	Differential non-linearity error				± 1	LSB
—	Offset error				± 3	LSB
—	Gain error				± 3	LSB
R_{LADDER}	Resistor ladder	$V_{REF} = V_{CC}$	4		20	k Ω
t_{CONV}	Conversion time (10 bits)	$\phi_{AD} = 16 \text{ MHz}$, with sample and hold function	2.06			μs
		$\phi_{AD} = 16 \text{ MHz}$, without sample and hold function	3.69			μs
t_{CONV}	Conversion time (8 bits)	$\phi_{AD} = 16 \text{ MHz}$, with sample and hold function	1.75			μs
		$\phi_{AD} = 16 \text{ MHz}$, without sample and hold function	3.06			μs
t_{SAMP}	Sampling time	$\phi_{AD} = 16 \text{ MHz}$	0.188			μs
V_{IA}	Analog input voltage		0		V_{REF}	V
ϕ_{AD}	Operating clock frequency	Without sample and hold function	0.25		16	MHz
		With sample and hold function	1		16	MHz

Note:

1. Pins AN15_0 to AN15_7 are available in the 144-pin package only.

$$V_{CC} = 5 \text{ V}$$

Table 27.19 D/A Conversion Characteristics ($V_{CC} = AV_{CC} = V_{REF} = 4.2$ to 5.5 V , $V_{SS} = AV_{SS} = 0 \text{ V}$, and $T_a = T_{opr}$, unless otherwise noted)

Symbol	Characteristic	Measurement Condition	Value			Unit
			Min.	Typ.	Max.	
—	Resolution				8	Bits
—	Absolute precision				1.0	%
t_s	Settling time				3	μs
R_O	Output resistance		4	10	20	$\text{k}\Omega$
I_{VREF}	Reference input current	See Note 1			1.5	mA

Note:

- One D/A converter is used. The DAi register ($i = 0, 1$) of the other unused converter is set to 00h. The resistor ladder for the A/D converter is not considered.
Even when the VCUT bit in the AD0CON1 register is set to 0 (V_{REF} disconnected), I_{VREF} is supplied.

$$V_{CC} = 5 \text{ V}$$

Timing Requirements ($V_{CC} = 4.2$ to 5.5 V , $V_{SS} = 0 \text{ V}$, and $T_a = T_{opr}$, unless otherwise noted)

Table 27.20 External Clock Input

Symbol	Characteristic	Value		Unit
		Min.	Max.	
$t_{C(X)}$	External clock input period	62.5	250	ns
$t_{W(XH)}$	External clock input high level pulse width	25		ns
$t_{W(XL)}$	External clock input low level pulse width	25		ns
$t_{R(X)}$	External clock input rise time		5	ns
$t_{F(X)}$	External clock input fall time		5	ns
t_W / t_C	External clock input duty	40	60	%

Table 27.21 External Bus Timing

Symbol	Characteristic	Value		Unit
		Min.	Max.	
$t_{SU(D-R)}$	Data setup time before read	40		ns
$t_{H(R-D)}$	Data hold time after read	0		ns
$t_{DIS(R-D)}$	Data disable time after read		$0.5 \times t_{C(\text{Base})} + 10$	ns

$$V_{CC} = 5 \text{ V}$$

Timing Requirements ($V_{CC} = 4.2$ to 5.5 V , $V_{SS} = 0 \text{ V}$, and $T_a = T_{opr}$, unless otherwise noted)

Table 27.22 Timer A Input (counting input in event counter mode)

Symbol	Characteristic	Value		Unit
		Min.	Max.	
$t_{C(TA)}$	TAiIN input clock cycle time	200		ns
$t_{W(TAH)}$	TAiIN input high level pulse width	80		ns
$t_{W(TAL)}$	TAiIN input low level pulse width	80		ns

Table 27.23 Timer A Input (gating input in timer mode)

Symbol	Characteristic	Value		Unit
		Min.	Max.	
$t_{C(TA)}$	TAiIN input clock cycle time	400		ns
$t_{W(TAH)}$	TAiIN input high level pulse width	180		ns
$t_{W(TAL)}$	TAiIN input low level pulse width	180		ns

Table 27.24 Timer A Input (external trigger input in one-shot timer mode)

Symbol	Characteristic	Value		Unit
		Min.	Max.	
$t_{C(TA)}$	TAiIN input clock cycle time	200		ns
$t_{W(TAH)}$	TAiIN input high level pulse width	80		ns
$t_{W(TAL)}$	TAiIN input low level pulse width	80		ns

Table 27.25 Timer A Input (external trigger input in pulse-width modulation mode)

Symbol	Characteristic	Value		Unit
		Min.	Max.	
$t_{W(TAH)}$	TAiIN input high level pulse width	80		ns
$t_{W(TAL)}$	TAiIN input low level pulse width	80		ns

Table 27.26 Timer A Input (increment/decrement switching input in event counter mode)

Symbol	Characteristic	Value		Unit
		Min.	Max.	
$t_{C(UP)}$	TAiOUT input clock cycle time	2000		ns
$t_{W(UPH)}$	TAiOUT input high level pulse width	1000		ns
$t_{W(UPL)}$	TAiOUT input low level pulse width	1000		ns
$t_{Su(UP-TIN)}$	TAiOUT input setup time	400		ns
$t_h(TIN-UP)$	TAiOUT input hold time	400		ns

$$V_{CC} = 5 \text{ V}$$

Timing Requirements ($V_{CC} = 4.2$ to 5.5 V , $V_{SS} = 0 \text{ V}$, and $T_a = T_{opr}$, unless otherwise noted)

Table 27.27 Timer B Input (counting input in event counter mode)

Symbol	Characteristic	Value		Unit
		Min.	Max.	
$t_{C(TB)}$	TBiIN input clock cycle time (one edge counting)	200		ns
$t_{W(TBH)}$	TBiIN input high level pulse width (one edge counting)	80		ns
$t_{W(TBL)}$	TBiIN input low level pulse width (one edge counting)	80		ns
$t_{C(TB)}$	TBiIN input clock cycle time (both edges counting)	200		ns
$t_{W(TBH)}$	TBiIN input high level pulse width (both edges counting)	80		ns
$t_{W(TBL)}$	TBiIN input low level pulse width (both edges counting)	80		ns

Table 27.28 Timer B Input (pulse period measure mode)

Symbol	Characteristic	Value		Unit
		Min.	Max.	
$t_{C(TB)}$	TBiIN input clock cycle time	400		ns
$t_{W(TBH)}$	TBiIN input high level pulse width	180		ns
$t_{W(TBL)}$	TBiIN input low level pulse width	180		ns

Table 27.29 Timer B Input (pulse-width measure mode)

Symbol	Characteristic	Value		Unit
		Min.	Max.	
$t_{C(TB)}$	TBiIN input clock cycle time	400		ns
$t_{W(TBH)}$	TBiIN input high level pulse width	180		ns
$t_{W(TBL)}$	TBiIN input low level pulse width	180		ns

$$V_{CC} = 5 \text{ V}$$

Timing Requirements ($V_{CC} = 4.2$ to 5.5 V , $V_{SS} = 0 \text{ V}$, and $T_a = T_{opr}$, unless otherwise noted)

Table 27.30 Serial Interface

Symbol	Characteristic	Value		Unit
		Min.	Max.	
$t_{c(CK)}$	CLKi input clock cycle time	200		ns
$t_{W(CKH)}$	CLKi input high level pulse width	80		ns
$t_{W(CKL)}$	CLKi input low level pulse width	80		ns
$t_{su(D-C)}$	RXD _i input setup time	80		ns
$t_{h(C-D)}$	RXD _i input hold time	90		ns

Table 27.31 A/D Trigger Input

Symbol	Characteristic	Value		Unit
		Min.	Max.	
$t_{W(ADH)}$	ADTRG input high level pulse width Hardware trigger input high level pulse width	$\frac{3}{\phi_{AD}}$		ns
$t_{W(ADL)}$	ADTRG input low level pulse width Hardware trigger input high level pulse width	125		ns

Table 27.32 External Interrupt \overline{INT}_i Input

Symbol	Characteristic		Value		Unit
			Min.	Max.	
$t_{W(INH)}$	\overline{INT}_i input high level pulse width	Edge sensitive	250		ns
		Level sensitive	$t_{c(CPU)} + 200$		ns
$t_{W(INL)}$	\overline{INT}_i input low level pulse width	Edge sensitive	250		ns
		Level sensitive	$t_{c(CPU)} + 200$		ns

Table 27.33 Intelligent I/O

Symbol	Characteristic	Value		Unit
		Min.	Max.	
$t_{c(ISCLK2)}$	ISCLK2 input clock cycle time	600		ns
$t_{W(ISCLK2H)}$	ISCLK2 input high level pulse width	270		ns
$t_{W(ISCLK2L)}$	ISCLK2 input low level pulse width	270		ns
$t_{su(RXD-ISCLK2)}$	ISRXD2 input setup time	150		ns
$t_{h(ISCLK2-RXD)}$	ISRXD2 input hold time	100		ns

$$V_{CC} = 5 \text{ V}$$

Timing Requirements ($V_{CC} = 4.2$ to 5.5 V , $V_{SS} = 0 \text{ V}$, and $T_a = T_{opr}$, unless otherwise noted)

Table 27.34 Multi-master I²C-bus Interface

Symbol	Characteristic	Value				Unit
		Standard-mode		Fast-mode		
		Min.	Max.	Min.	Max.	
$t_{w(SCLH)}$	MSCL input high level pulse width	600		600		ns
$t_{w(SCLL)}$	MSCL input low level pulse width	600		600		ns
$t_{r(SCL)}$	MSCL input rise time		1000		300	ns
$t_{f(SCL)}$	MSCL input fall time		300		300	ns
$t_{r(SDA)}$	MSDA input rise time		1000		300	ns
$t_{f(SDA)}$	MSDA input fall time		300		300	ns
$t_{h(SDA-SCL)S}$	MSCL high level hold time after START condition/repeated START condition	(1)		$2 \times t_{c(\phi IIC)} + 40$		ns
$t_{su(SCL-SDA)P}$	MSCL high level setup time for repeated START condition/STOP condition	(1)		$2 \times t_{c(\phi IIC)} + 40$		ns
$t_{w(SDAH)P}$	MSDA high level pulse width after STOP condition	(1)		$4 \times t_{c(\phi IIC)} + 40$		ns
$t_{su(SDA-SCL)}$	MSDA input setup time	100		100		ns
$t_{h(SCL-SDA)}$	MSDA input hold time	0		0		ns

Note:

- The value is calculated by the following formulas based on a value SSC by setting bits SSC4 to SSC0 in the I2CSSCR register:

$$t_{h(SDA-SCL)S} = SSC \div 2 \times t_{c(\phi IIC)} + 40 \text{ [ns]}$$

$$t_{su(SCL-SDA)P} = (SSC \div 2 + 1) \times t_{c(\phi IIC)} + 40 \text{ [ns]}$$

$$t_{w(SDAH)P} = (SSC + 1) \times t_{c(\phi IIC)} + 40 \text{ [ns]}$$

$$V_{CC} = 5 \text{ V}$$

Switching Characteristics ($V_{CC} = 4.2$ to 5.5 V , $V_{SS} = 0 \text{ V}$, and $T_a = T_{opr}$, unless otherwise noted)

Table 27.35 External Bus Timing (separate bus)

Symbol	Characteristic	Measurement Condition	Value		Unit
			Min.	Max.	
$t_{su(S-R)}$	Chip-select setup time before read	Refer to Figure 27.6	(1)		ns
$t_{h(R-S)}$	Chip-select hold time after read		$t_{c(Base)} - 15$		ns
$t_{su(A-R)}$	Address setup time before read		(1)		ns
$t_{h(R-A)}$	Address hold time after read		$t_{c(Base)} - 15$		ns
$t_{w(R)}$	Read pulse width		(1)		ns
$t_{su(S-W)}$	Chip-select setup time before write		(1)		ns
$t_{h(W-S)}$	Chip-select hold time after write		$1.5 \times t_{c(Base)} - 15$		ns
$t_{su(A-W)}$	Address setup time before write		(1)		ns
$t_{h(W-A)}$	Address hold time after write		$1.5 \times t_{c(Base)} - 15$		ns
$t_{w(W)}$	Write pulse width		(1)		ns
$t_{su(D-W)}$	Data setup time before write		(1)		ns
$t_{h(W-D)}$	Data hold time after write		0		ns

Note:

- The value is calculated using the formulas below based on the base clock cycles ($t_{c(Base)}$) and respective cycles of $T_{su(A-R)}$, $T_w(R)$, $T_{su(A-W)}$, and $T_w(W)$ set by registers EBC0 to EBC3. If the calculation results in a negative value, modify the value to be set. For details on how to set values, refer to 9.3.5 "External Bus Timing".

$$t_{su(S-R)} = t_{su(A-R)} = T_{su(A-R)} \times t_{c(Base)} - 15 \text{ [ns]}$$

$$t_{w(R)} = T_w(R) \times t_{c(Base)} - 10 \text{ [ns]}$$

$$t_{su(S-W)} = t_{su(A-W)} = T_{su(A-W)} \times t_{c(Base)} - 15 \text{ [ns]}$$

$$t_{w(W)} = t_{su(D-W)} = T_w(W) \times t_{c(Base)} - 10 \text{ [ns]}$$

$$V_{CC} = 5 \text{ V}$$

Switching Characteristics ($V_{CC} = 4.2$ to 5.5 V , $V_{SS} = 0 \text{ V}$, and $T_a = T_{opr}$, unless otherwise noted)

Table 27.36 External Bus Timing (multiplexed bus)

Symbol	Characteristic	Measurement Condition	Value		Unit
			Min.	Max.	
$t_{su(S-ALE)}$	Chip-select setup time before ALE	Refer to Figure 27.6	(1)		ns
$t_{h(R-S)}$	Chip-select hold time after read		$1.5 \times t_{c(Base)} - 15$		ns
$t_{su(A-ALE)}$	Address setup time before ALE		(1)		ns
$t_{h(ALE-A)}$	Address hold time after ALE		$0.5 \times t_{c(Base)} - 5$		ns
$t_{h(R-A)}$	Address hold time after read		$1.5 \times t_{c(Base)} - 15$		ns
$t_{d(ALE-R)}$	ALE-read delay time		$0.5 \times t_{c(Base)} - 5$	$0.5 \times t_{c(Base)} + 10$	ns
$t_{w(ALE)}$	ALE pulse width		(1)		ns
$t_{dis(R-A)}$	Address disable time after read			8	ns
$t_{w(R)}$	Read pulse width		(1)		ns
$t_{h(W-S)}$	Chip-select hold time after write		$1.5 \times t_{c(Base)} - 15$		ns
$t_{h(W-A)}$	Address hold time after write		$1.5 \times t_{c(Base)} - 15$		ns
$t_{d(ALE-W)}$	ALE-write delay time		$0.5 \times t_{c(Base)} - 5$	$0.5 \times t_{c(Base)} + 10$	ns
$t_{w(W)}$	Write pulse width		(1)		ns
$t_{su(D-W)}$	Data setup time before write		(1)		ns
$t_{h(W-D)}$	Data hold time after write		$0.5 \times t_{c(Base)}$		ns

Note:

- The value is calculated using the formulas below based on the base clock cycles ($t_{c(Base)}$) and respective cycles of $T_{su(A-R)}$, $T_{w(R)}$, $T_{su(A-W)}$, and $T_{w(W)}$ set by registers EBC0 to EBC3. If the calculation results in a negative value, modify the value to be set. For details on how to set values, refer to 9.3.5 "External Bus Timing".

$$t_{su(S-ALE)} = t_{su(A-ALE)} = t_{w(ALE)} = (T_{su(A-R)} - 0.5) \times t_{c(Base)} - 15 \text{ [ns]}$$

$$t_{w(R)} = T_{w(R)} \times t_{c(Base)} - 10 \text{ [ns]}$$

$$t_{w(W)} = t_{su(D-W)} = T_{w(W)} \times t_{c(Base)} - 10 \text{ [ns]}$$

$$V_{CC} = 5 \text{ V}$$

Switching Characteristics ($V_{CC} = 4.2$ to 5.5 V , $V_{SS} = 0 \text{ V}$, and $T_a = T_{opr}$, unless otherwise noted)

Table 27.37 Serial Interface

Symbol	Characteristic	Measurement Condition	Value		Unit
			Min.	Max.	
$t_{d(C-Q)}$	TXDi output delay time	Refer to Figure 27.6		80	ns
$t_{h(C-Q)}$	TXDi output hold time		0		ns

Table 27.38 Intelligent I/O

Symbol	Characteristic	Measurement Condition	Value		Unit
			Min.	Max.	
$t_{d(ISCLK2-TXD)}$	ISTXD2 output delay time	Refer to Figure 27.6		180	ns
$t_{h(ISCLK2-RXD)}$	ISTXD2 output hold time		0		ns

Table 27.39 Multi-master I²C-bus Interface (standard-mode)

Symbol	Characteristic	Measurement Condition	Value		Unit
			Min.	Max.	
$t_{f(SCL)}$	MSCL output fall time	Refer to Figure 27.6	2		ns
$t_{f(SDA)}$	MSDA output fall time		2		ns
$t_{d(SDA-SCL)S}$	MSCL output delay time after START condition/repeated START condition		$20 \times t_{C(\phi IIC)} - 120$	$52 \times t_{C(\phi IIC)} - 40$	ns
$t_{d(SCL-SDA)P}$	Repeated START condition/STOP condition output delay time after MSCL becomes high		$20 \times t_{C(\phi IIC)} + 40$	$52 \times t_{C(\phi IIC)} + 120$	ns
$t_{d(SCL-SDA)}$	MSDA output delay time		$2 \times t_{C(\phi IIC)} + 40$	$3 \times t_{C(\phi IIC)} + 120$	ns

Table 27.40 Multi-master I²C-bus Interface (fast-mode)

Symbol	Characteristic	Measurement Condition	Value		Unit
			Min.	Max.	
$t_{f(SCL)}$	MSCL output fall time	Refer to Figure 27.6	2 (1)		ns
$t_{f(SDA)}$	MSDA output fall time		2 (1)		ns
$t_{d(SDA-SCL)S}$	MSCL output delay time after START condition/repeated START condition		$10 \times t_{C(\phi IIC)} - 120$	$26 \times t_{C(\phi IIC)} - 40$	ns
$t_{d(SCL-SDA)P}$	Repeated START condition/STOP condition output delay time after MSCL becomes high		$10 \times t_{C(\phi IIC)} + 40$	$26 \times t_{C(\phi IIC)} + 120$	ns
$t_{d(SCL-SDA)}$	MSDA output delay time		$2 \times t_{C(\phi IIC)} + 40$	$3 \times t_{C(\phi IIC)} + 120$	ns

Note:

- External circuits are required to satisfy the I²C-bus specification.

$$V_{CC} = 3.3 \text{ V}$$

Table 27.41 Electrical Characteristics (1/3) ($V_{CC} = 3.0$ to 3.6 V, $V_{SS} = 0$ V, $T_a = T_{opr}$, and $f_{(CPU)} = 64$ MHz, unless otherwise noted)

Symbol	Characteristic		Measurement Condition	Value			Unit
				Min.	Typ.	Max.	
V_{OH}	High level output voltage	P0_0 to P0_7, P1_0 to P1_7, P2_0 to P2_7, P3_0 to P3_7, P4_0 to P4_7, P5_0 to P5_7, P6_0 to P6_7, P7_0 to P7_7, P8_0 to P8_4, P8_6, P8_7, P9_0 to P9_7, P10_0 to P10_7, P11_0 to P11_4, P12_0 to P12_7, P13_0 to P13_7, P14_3 to P14_6, P15_0 to P15_7 (1)	$I_{OH} = -1 \text{ mA}$	$V_{CC} - 0.6$		V_{CC}	V
V_{OL}	Low level output voltage	P0_0 to P0_7, P1_0 to P1_7, P2_0 to P2_7, P3_0 to P3_7, P4_0 to P4_7, P5_0 to P5_7, P6_0 to P6_7, P7_0 to P7_7, P8_0 to P8_4, P8_6, P8_7, P9_0 to P9_7, P10_0 to P10_7, P11_0 to P11_4, P12_0 to P12_7, P13_0 to P13_7, P14_3 to P14_6, P15_0 to P15_7 (1)	$I_{OL} = 1 \text{ mA}$			0.5	V

Note:

1. Ports P9_0, P9_2, and P11 to P15 are available in the 144-pin package only. Port P9_1 is designated as input pin in the 100-pin package.

$$V_{CC} = 3.3 \text{ V}$$

Table 27.42 Electrical Characteristics (2/3) ($V_{CC} = 3.0$ to 3.6 V, $V_{SS} = 0$ V, $T_a = T_{opr}$, and $f_{(CPU)} = 64$ MHz, unless otherwise noted)

Symbol	Characteristic		Measurement Condition	Value			Unit
				Min.	Typ.	Max.	
$V_{T+} - V_{T-}$	Hysteresis	HOLD, RDY, NMI, INT0 to INT8, KI0 to KI3, TA0IN to TA4IN, TA0OUT to TA4OUT, TB0IN to TB5IN, CTS0 to CTS8, CLK0 to CLK8, RXD0 to RXD8, SCL0 to SCL6, SDA0 to SDA6, SS0 to SS6, SRXD0 to SRXD6, ADTRG, IIO0_0 to IIO0_7, IIO1_0 to IIO1_7, UD0A, UD0B, UD1A, UD1B, ISCLK2, ISRXD2, IEIN, MSCL, MSDA (1)		0.2		1.0	V
		RESET		0.2		1.8	V
I_{IH}	High level input current	XIN, RESET, CNVSS, NSD, P0_0 to P0_7, P1_0 to P1_7, P2_0 to P2_7, P3_0 to P3_7, P4_0 to P4_7, P5_0 to P5_7, P6_0 to P6_7, P7_0 to P7_7, P8_0 to P8_7, P9_0 to P9_7, P10_0 to P10_7, P11_0 to P11_4, P12_0 to P12_7, P13_0 to P13_7, P14_1, P14_3 to P14_6, P15_0 to P15_7 (2)	$V_I = 3.3 \text{ V}$			4.0	μA
I_{IL}	Low level input current	XIN, RESET, CNVSS, NSD, P0_0 to P0_7, P1_0 to P1_7, P2_0 to P2_7, P3_0 to P3_7, P4_0 to P4_7, P5_0 to P5_7, P6_0 to P6_7, P7_0 to P7_7, P8_0 to P8_7, P9_0 to P9_7, P10_0 to P10_7, P11_0 to P11_4, P12_0 to P12_7, P13_0 to P13_7, P14_1, P14_3 to P14_6, P15_0 to P15_7 (2)	$V_I = 0 \text{ V}$			-4.0	μA
R_{PULLUP}	Pull-up resistor	P0_0 to P0_7, P1_0 to P1_7, P2_0 to P2_7, P3_0 to P3_7, P5_0 to P5_3, P8_4, P8_6, P8_7, P9_0 to P9_7, P10_0 to P10_7, P11_0 to P11_4, P12_0 to P12_7, P13_0 to P13_7, P14_1, P14_3 to P14_6, P15_0 to P15_7 (2)	$V_I = 0 \text{ V}$	50	100	500	$\text{k}\Omega$
R_{fXIN}	Feedback resistor	XIN			3		$\text{M}\Omega$
R_{fXCIN}	Feedback resistor	XCIN			25		$\text{M}\Omega$

Notes:

1. Pins INT6 to INT8 are available in the 144-pin package only.
2. Ports P9_0, P9_2, and P11 to P15 are available in the 144-pin package only. Port P9_1 is designated as input pin in the 100-pin package.

$$V_{CC} = 3.3 \text{ V}$$

Table 27.43 Electrical Characteristics (3/3)

($V_{CC} = 3.0$ to 3.6 V , $V_{SS} = 0 \text{ V}$, and $T_a = T_{opr}$, unless otherwise noted)

Symbol	Characteristic	Measurement Condition	Value			Unit	
			Min.	Typ.	Max.		
I_{CC}	Power supply current	In single-chip mode, output pins are left open and others are connected to V_{SS}	$f_{(CPU)} = 64 \text{ MHz}$, $f_{(BCLK)} = 32 \text{ MHz}$, $f_{(XIN)} = 8 \text{ MHz}$, Active: XIN, PLL, Stopped: XCIN, OCO		40	55	mA
		XIN-XOUT Drive strength: low	$f_{(CPU)} = 50 \text{ MHz}$, $f_{(BCLK)} = 25 \text{ MHz}$, $f_{(XIN)} = 8 \text{ MHz}$, Active: XIN, PLL, Stopped: XCIN, OCO		32	45	mA
		XCIN-XCOUT Drive strength: low	$f_{(CPU)} = f_{SO(PLL)}/24 \text{ MHz}$, Active: PLL (self-oscillation), Stopped: XIN, XCIN, OCO		9		mA
			$f_{(CPU)} = f_{(BCLK)} = f_{(XIN)}/256 \text{ MHz}$, $f_{(XIN)} = 8 \text{ MHz}$, Active: XIN, Stopped: PLL, XCIN, OCO		670		μA
			$f_{(CPU)} = f_{(BCLK)} = 32.768 \text{ kHz}$, Active: XCIN, Stopped: XIN, PLL, OCO, Main regulator: shutdown		180		μA
			$f_{(CPU)} = f_{(BCLK)} = f_{(OCO)}/4 \text{ kHz}$, Active: OCO, Stopped: XIN, PLL, XCIN, Main regulator: shutdown		190		μA
			$f_{(CPU)} = f_{(BCLK)} = f_{(XIN)}/256 \text{ MHz}$, $f_{(XIN)} = 8 \text{ MHz}$, Active: XIN, Stopped: PLL, XCIN, OCO, $T_a = 25^\circ\text{C}$, Wait mode		500	900	μA
			$f_{(CPU)} = f_{(BCLK)} = 32.768 \text{ kHz}$, Active: XCIN, Stopped: XIN, PLL, OCO, Main regulator: shutdown, $T_a = 25^\circ\text{C}$, Wait mode		8	140	μA
			$f_{(CPU)} = f_{(BCLK)} = f_{(OCO)}/4 \text{ kHz}$, Active: OCO, Stopped: XIN, PLL, XCIN, Main regulator: shutdown, $T_a = 25^\circ\text{C}$, Wait mode		10	150	μA
	Stopped: all clocks, Main regulator: shutdown, $T_a = 25^\circ\text{C}$		5	70	μA		

$$V_{CC} = 3.3 \text{ V}$$

Table 27.44 A/D Conversion Characteristics ($V_{CC} = AV_{CC} = V_{REF} = 3.0$ to 3.6 V , $V_{SS} = AV_{SS} = 0 \text{ V}$, $T_a = T_{opr}$, and $f_{(BCLK)} = 32 \text{ MHz}$, unless otherwise noted)

Symbol	Characteristic	Measurement Condition	Value			Unit	
			Min.	Typ.	Max.		
—	Resolution	$V_{REF} = V_{CC}$			10	Bits	
—	Absolute error	$V_{REF} = V_{CC} = 3.3 \text{ V}$	AN_0 to AN_7, AN0_0 to AN0_7, AN2_0 to AN2_7, AN15_0 to AN15_7, ANEX0, ANEX1 (1)			±5	LSB
			External op-amp connection mode			±7	LSB
INL	Integral non-linearity error	$V_{REF} = V_{CC} = 3.3 \text{ V}$	AN_0 to AN_7, AN0_0 to AN0_7, AN2_0 to AN2_7, AN15_0 to AN15_7, ANEX0, ANEX1 (1)			±5	LSB
			External op-amp connection mode			±7	LSB
DNL	Differential non- linearity error	$V_{REF} = V_{CC} = 3.3 \text{ V}$			±1	LSB	
—	Offset error				±3	LSB	
—	Gain error				±3	LSB	
R_{LADDER}	Resistor ladder	$V_{REF} = V_{CC}$	4		20	k Ω	
t_{CONV}	Conversion time (10 bits)	$\phi_{AD} = 10 \text{ MHz}$, with sample and hold function	3.3			μs	
t_{CONV}	Conversion time (8 bits)	$\phi_{AD} = 10 \text{ MHz}$, with sample and hold function	2.8			μs	
t_{SAMP}	Sampling time	$\phi_{AD} = 10 \text{ MHz}$	0.3			μs	
V_{IA}	Analog input voltage		0		V_{REF}	V	
ϕ_{AD}	Operating clock frequency	Without sample and hold function	0.25		10	MHz	
		With sample and hold function	1		10	MHz	

Note:

1. Pins AN15_0 to AN15_7 are available in the 144-pin package only.

$$V_{CC} = 3.3 \text{ V}$$

Table 27.45 D/A Conversion Characteristics ($V_{CC} = AV_{CC} = V_{REF} = 3.0$ to 3.6 V , $V_{SS} = AV_{SS} = 0 \text{ V}$, and $T_a = T_{opr}$, unless otherwise noted)

Symbol	Characteristic	Measurement Condition	Value			Unit
			Min.	Typ.	Max.	
—	Resolution				8	Bits
—	Absolute precision				1.0	%
t_s	Settling time				3	μs
R_O	Output resistance		4	10	20	$\text{k}\Omega$
I_{VREF}	Reference input current	See Note 1			1.0	mA

Note:

- One D/A converter is used. The DAi register ($i = 0, 1$) of the other unused converter is set to 00h. The resistor ladder for the A/D converter is not considered.
Even when the VCUT bit in the AD0CON1 register is set to 0 (V_{REF} disconnected), I_{VREF} is supplied.

$$V_{CC} = 3.3 \text{ V}$$

Timing Requirements ($V_{CC} = 3.0$ to 3.6 V , $V_{SS} = 0 \text{ V}$, and $T_a = T_{opr}$, unless otherwise noted)

Table 27.46 External Clock Input

Symbol	Characteristic	Value		Unit
		Min.	Max.	
$t_{C(X)}$	External clock input period	62.5	250	ns
$t_{W(XH)}$	External clock input high level pulse width	25		ns
$t_{W(XL)}$	External clock input low level pulse width	25		ns
$t_{r(X)}$	External clock input rise time		5	ns
$t_{f(X)}$	External clock input fall time		5	ns
t_W / t_C	External clock input duty	40	60	%

Table 27.47 External Bus Timing

Symbol	Characteristic	Value		Unit
		Min.	Max.	
$t_{su(D-R)}$	Data setup time before read	40		ns
$t_{h(R-D)}$	Data hold time after read	0		ns
$t_{dis(R-D)}$	Data disable time after read		$0.5 \times t_{C(Base)} + 10$	ns

$$V_{CC} = 3.3 \text{ V}$$

Timing Requirements ($V_{CC} = 3.0$ to 3.6 V , $V_{SS} = 0 \text{ V}$, and $T_a = T_{opr}$, unless otherwise noted)

Table 27.48 Timer A Input (counting input in event counter mode)

Symbol	Characteristic	Value		Unit
		Min.	Max.	
$t_{c(TA)}$	TAiIN input clock cycle time	200		ns
$t_{w(TAH)}$	TAiIN input high level pulse width	80		ns
$t_{w(TAL)}$	TAiIN input low level pulse width	80		ns

Table 27.49 Timer A Input (gating input in timer mode)

Symbol	Characteristic	Value		Unit
		Min.	Max.	
$t_{c(TA)}$	TAiIN input clock cycle time	400		ns
$t_{w(TAH)}$	TAiIN input high level pulse width	180		ns
$t_{w(TAL)}$	TAiIN input low level pulse width	180		ns

Table 27.50 Timer A Input (external trigger input in one-shot timer mode)

Symbol	Characteristic	Value		Unit
		Min.	Max.	
$t_{c(TA)}$	TAiIN input clock cycle time	200		ns
$t_{w(TAH)}$	TAiIN input high level pulse width	80		ns
$t_{w(TAL)}$	TAiIN input low level pulse width	80		ns

Table 27.51 Timer A Input (external trigger input in pulse-width modulation mode)

Symbol	Characteristic	Value		Unit
		Min.	Max.	
$t_{w(TAH)}$	TAiIN input high level pulse width	80		ns
$t_{w(TAL)}$	TAiIN input low level pulse width	80		ns

Table 27.52 Timer A Input (increment/decrement switching input in event counter mode)

Symbol	Characteristic	Value		Unit
		Min.	Max.	
$t_{c(UP)}$	TAiOUT input clock cycle time	2000		ns
$t_{w(UPH)}$	TAiOUT input high level pulse width	1000		ns
$t_{w(UPL)}$	TAiOUT input low level pulse width	1000		ns
$t_{su(UP-TIN)}$	TAiOUT input setup time	400		ns
$t_h(TIN-UP)$	TAiOUT input hold time	400		ns

$$V_{CC} = 3.3 \text{ V}$$

Timing Requirements ($V_{CC} = 3.0$ to 3.6 V , $V_{SS} = 0 \text{ V}$, and $T_a = T_{opr}$, unless otherwise noted)

Table 27.53 Timer B Input (counting input in event counter mode)

Symbol	Characteristic	Value		Unit
		Min.	Max.	
$t_{c(TB)}$	TBiIN input clock cycle time (one edge counting)	200		ns
$t_{w(TBH)}$	TBiIN input high level pulse width (one edge counting)	80		ns
$t_{w(TBL)}$	TBiIN input low level pulse width (one edge counting)	80		ns
$t_{c(TB)}$	TBiIN input clock cycle time (both edges counting)	200		ns
$t_{w(TBH)}$	TBiIN input high level pulse width (both edges counting)	80		ns
$t_{w(TBL)}$	TBiIN input low level pulse width (both edges counting)	80		ns

Table 27.54 Timer B Input (pulse period measure mode)

Symbol	Characteristic	Value		Unit
		Min.	Max.	
$t_{c(TB)}$	TBiIN input clock cycle time	400		ns
$t_{w(TBH)}$	TBiIN input high level pulse width	180		ns
$t_{w(TBL)}$	TBiIN input low level pulse width	180		ns

Table 27.55 Timer B Input (pulse-width measure mode)

Symbol	Characteristic	Value		Unit
		Min.	Max.	
$t_{c(TB)}$	TBiIN input clock cycle time	400		ns
$t_{w(TBH)}$	TBiIN input high level pulse width	180		ns
$t_{w(TBL)}$	TBiIN input low level pulse width	180		ns

$$V_{CC} = 3.3 \text{ V}$$

Timing Requirements ($V_{CC} = 3.0$ to 3.6 V , $V_{SS} = 0 \text{ V}$, and $T_a = T_{opr}$, unless otherwise noted)

Table 27.56 Serial Interface

Symbol	Characteristic	Value		Unit
		Min.	Max.	
$t_{c(CK)}$	CLKi input clock cycle time	200		ns
$t_{w(CKH)}$	CLKi input high level pulse width	80		ns
$t_{w(CKL)}$	CLKi input low level pulse width	80		ns
$t_{su(D-C)}$	RXDi input setup time	80		ns
$t_{h(C-D)}$	RXDi input hold time	90		ns

Table 27.57 A/D Trigger Input

Symbol	Characteristic	Value		Unit
		Min.	Max.	
$t_{w(ADH)}$	ADTRG input high level pulse width Hardware trigger input high level pulse width	$\frac{3}{\phi_{AD}}$		ns
$t_{w(ADL)}$	ADTRG input low level pulse width Hardware trigger input high level pulse width	125		ns

Table 27.58 External Interrupt \overline{INTi} Input

Symbol	Characteristic		Value		Unit
			Min.	Max.	
$t_{w(INH)}$	\overline{INTi} input high level pulse width	Edge sensitive	250		ns
		Level sensitive	$t_{c(CPU)} + 200$		ns
$t_{w(INL)}$	\overline{INTi} input low level pulse width	Edge sensitive	250		ns
		Level sensitive	$t_{c(CPU)} + 200$		ns

Table 27.59 Intelligent I/O

Symbol	Characteristic	Value		Unit
		Min.	Max.	
$t_{c(ISCLK2)}$	ISCLK2 input clock cycle time	600		ns
$t_{w(ISCLK2H)}$	ISCLK2 input high level pulse width	270		ns
$t_{w(ISCLK2L)}$	ISCLK2 input low level pulse width	270		ns
$t_{su(RXD-ISCLK2)}$	ISRXD2 input setup time	150		ns
$t_{h(ISCLK2-RXD)}$	ISRXD2 input hold time	100		ns

$$V_{CC} = 3.3 \text{ V}$$

Timing Requirements ($V_{CC} = 3.0$ to 3.6 V , $V_{SS} = 0 \text{ V}$, and $T_a = T_{opr}$, unless otherwise noted)

Table 27.60 Multi-master I²C-bus Interface

Symbol	Characteristic	Value				Unit
		Standard-mode		Fast-mode		
		Min.	Max.	Min.	Max.	
$t_{w(SCLH)}$	MSCL input high level pulse width	600		600		ns
$t_{w(SCLL)}$	MSCL input low level pulse width	600		600		ns
$t_{r(SCL)}$	MSCL input rise time		1000		300	ns
$t_{f(SCL)}$	MSCL input fall time		300		300	ns
$t_{r(SDA)}$	MSDA input rise time		1000		300	ns
$t_{f(SDA)}$	MSDA input fall time		300		300	ns
$t_{h(SDA-SCL)S}$	MSCL high level hold time after START condition/repeated START condition	(1)		$2 \times t_{c(\phi IIC)} + 40$		ns
$t_{su(SCL-SDA)P}$	MSCL high level setup time for repeated START condition/STOP condition	(1)		$2 \times t_{c(\phi IIC)} + 40$		ns
$t_{w(SDAH)P}$	MSDA high level pulse width after STOP condition	(1)		$4 \times t_{c(\phi IIC)} + 40$		ns
$t_{su(SDA-SCL)}$	MSDA input setup time	100		100		ns
$t_{h(SCL-SDA)}$	MSDA input hold time	0		0		ns

Note:

- The value is calculated using the formulas below based on a value SSC set by bits SSC4 to SSC0 in the I2CSSCR register:

$$t_{h(SDA-SCL)S} = SSC \div 2 \times t_{c(\phi IIC)} + 40 \text{ [ns]}$$

$$t_{su(SCL-SDA)P} = (SSC \div 2 + 1) \times t_{c(\phi IIC)} + 40 \text{ [ns]}$$

$$t_{w(SDAH)P} = (SSC + 1) \times t_{c(\phi IIC)} + 40 \text{ [ns]}$$

$$V_{CC} = 3.3 \text{ V}$$

Switching Characteristics ($V_{CC} = 3.0$ to 3.6 V , $V_{SS} = 0 \text{ V}$, and $T_a = T_{opr}$, unless otherwise noted)

Table 27.61 External Bus Timing (separate bus)

Symbol	Characteristic	Measurement Condition	Value		Unit
			Min.	Max.	
$t_{su(S-R)}$	Chip-select setup time before read	Refer to Figure 27.6	(1)		ns
$t_{h(R-S)}$	Chip-select hold time after read		$t_{c(Base)} - 15$		ns
$t_{su(A-R)}$	Address setup time before read		(1)		ns
$t_{h(R-A)}$	Address hold time after read		$t_{c(Base)} - 15$		ns
$t_{w(R)}$	Read pulse width		(1)		ns
$t_{su(S-W)}$	Chip-select setup time before write		(1)		ns
$t_{h(W-S)}$	Chip-select hold time after write		$1.5 \times t_{c(Base)} - 15$		ns
$t_{su(A-W)}$	Address setup time before write		(1)		ns
$t_{h(W-A)}$	Address hold time after write		$1.5 \times t_{c(Base)} - 15$		ns
$t_{w(W)}$	Write pulse width		(1)		ns
$t_{su(D-W)}$	Data setup time before write		(1)		ns
$t_{h(W-D)}$	Data hold time after write		0		ns

Note:

- The value is calculated using the formulas below based on the base clock cycles ($t_{c(Base)}$) and respective cycles of $T_{su(A-R)}$, $T_{w(R)}$, $T_{su(A-W)}$, and $T_{w(W)}$ set by registers EBC0 to EBC3. If the calculation results in a negative value, modify the value to be set. For details on how to set values, refer to 9.3.5 "External Bus Timing".

$$t_{su(S-R)} = t_{su(A-R)} = T_{su(A-R)} \times t_{c(Base)} - 15 \text{ [ns]}$$

$$t_{w(R)} = T_{w(R)} \times t_{c(Base)} - 10 \text{ [ns]}$$

$$t_{su(S-W)} = t_{su(A-W)} = T_{su(A-W)} \times t_{c(Base)} - 15 \text{ [ns]}$$

$$t_{w(W)} = t_{su(D-W)} = T_{w(W)} \times t_{c(Base)} - 10 \text{ [ns]}$$

$$V_{CC} = 3.3 \text{ V}$$

Switching Characteristics ($V_{CC} = 3.0$ to 3.6 V , $V_{SS} = 0 \text{ V}$, and $T_a = T_{opr}$, unless otherwise noted)

Table 27.62 External Bus Timing (multiplexed bus)

Symbol	Characteristic	Measurement Condition	Value		Unit
			Min.	Max.	
$t_{su(S-ALE)}$	Chip-select setup time before ALE	Refer to Figure 27.6	(1)		ns
$t_{h(R-S)}$	Chip-select hold time after read		$1.5 \times t_{c(Base)} - 15$		ns
$t_{su(A-ALE)}$	Address setup time before ALE		(1)		ns
$t_{h(ALE-A)}$	Address hold time after ALE		$0.5 \times t_{c(Base)} - 5$		ns
$t_{h(R-A)}$	Address hold time after read		$1.5 \times t_{c(Base)} - 15$		ns
$t_{d(ALE-R)}$	ALE-read delay time		$0.5 \times t_{c(Base)} - 5$	$0.5 \times t_{c(Base)} + 10$	ns
$t_{w(ALE)}$	ALE pulse width		(1)		ns
$t_{dis(R-A)}$	Address disable time after read			8	ns
$t_{w(R)}$	Read pulse width		(1)		ns
$t_{h(W-S)}$	Chip-select hold time after write		$1.5 \times t_{c(Base)} - 15$		ns
$t_{h(W-A)}$	Address hold time after write		$1.5 \times t_{c(Base)} - 15$		ns
$t_{d(ALE-W)}$	ALE-write delay time		$0.5 \times t_{c(Base)} - 5$	$0.5 \times t_{c(Base)} + 10$	ns
$t_{w(W)}$	Write pulse width		(1)		ns
$t_{su(D-W)}$	Data setup time before write		(1)		ns
$t_{h(W-D)}$	Data hold time after write		$0.5 \times t_{c(Base)}$		ns

Note:

- The value is calculated using the formulas below based on the base clock cycles ($t_{c(Base)}$) and respective cycles of $T_{su(A-R)}$, $T_w(R)$, $T_{su(A-W)}$, and $T_w(W)$ set by registers EBC0 to EBC3. If the calculation results in a negative value, modify the value to be set. For details on how to set values, refer to 9.3.5 "External Bus Timing".

$$t_{su(S-ALE)} = t_{su(A-ALE)} = (T_{su(A-R)} - 0.5) \times t_{c(Base)} - 15 \text{ [ns]}$$

$$t_{w(ALE)} = (T_{su(A-R)} - 0.5) \times t_{c(Base)} - 20 \text{ [ns]}$$

$$t_{w(R)} = T_w(R) \times t_{c(Base)} - 10 \text{ [ns]}$$

$$t_{w(W)} = t_{su(D-W)} = T_w(W) \times t_{c(Base)} - 10 \text{ [ns]}$$

$$V_{CC} = 3.3 \text{ V}$$

Switching Characteristics ($V_{CC} = 3.0$ to 3.6 V , $V_{SS} = 0 \text{ V}$, and $T_a = T_{opr}$, unless otherwise noted)

Table 27.63 Serial Interface

Symbol	Characteristic	Measurement Condition	Value		Unit
			Min.	Max.	
$t_{d(C-Q)}$	TXDi output delay time	Refer to Figure 27.6		80	ns
$t_{h(C-Q)}$	TXDi output hold time		0		ns

Table 27.64 Intelligent I/O

Symbol	Characteristic	Measurement Condition	Value		Unit
			Min.	Max.	
$t_{d(ISTXD2)}$	ISTXD2 output delay time	Refer to Figure 27.6		180	ns
$t_{h(ISTXD2)}$	ISTXD2 output hold time		0		ns

Table 27.65 Multi-master I²C-bus Interface (Standard-mode)

Symbol	Characteristic	Measurement Condition	Value		Unit
			Min.	Max.	
$t_{f(SCL)}$	MSCL output fall time	Refer to Figure 27.6	2		ns
$t_{f(SDA)}$	MSDA output fall time		2		ns
$t_{d(SDA-SCL)S}$	MSCL output delay time after START condition/repeated START condition		$20 \times t_{c(\phi IIC)} - 120$	$52 \times t_{c(\phi IIC)} - 40$	ns
$t_{d(SCL-SDA)P}$	Repeated START condition/STOP condition output delay time after MSCL becomes high		$20 \times t_{c(\phi IIC)} + 40$	$52 \times t_{c(\phi IIC)} + 120$	ns
$t_{d(SCL-SDA)}$	MSDA output delay time		$2 \times t_{c(\phi IIC)} + 40$	$3 \times t_{c(\phi IIC)} + 120$	ns

Table 27.66 Multi-master I²C-bus Interface (Fast-mode)

Symbol	Characteristic	Measurement Condition	Value		Unit
			Min.	Max.	
$t_{f(SCL)}$	MSCL output fall time	Refer to Figure 27.6	2 (1)		ns
$t_{f(SDA)}$	MSDA output fall time		2 (1)		ns
$t_{d(SDA-SCL)S}$	MSCL output delay time after START condition/repeated START condition		$10 \times t_{c(\phi IIC)} - 120$	$26 \times t_{c(\phi IIC)} - 40$	ns
$t_{d(SCL-SDA)P}$	Repeated START condition/STOP condition output delay time after MSCL becomes high		$10 \times t_{c(\phi IIC)} + 40$	$26 \times t_{c(\phi IIC)} + 120$	ns
$t_{d(SCL-SDA)}$	MSDA output delay time		$2 \times t_{c(\phi IIC)} + 40$	$3 \times t_{c(\phi IIC)} + 120$	ns

Note:

- External circuits are required to satisfy the I²C-bus specification.

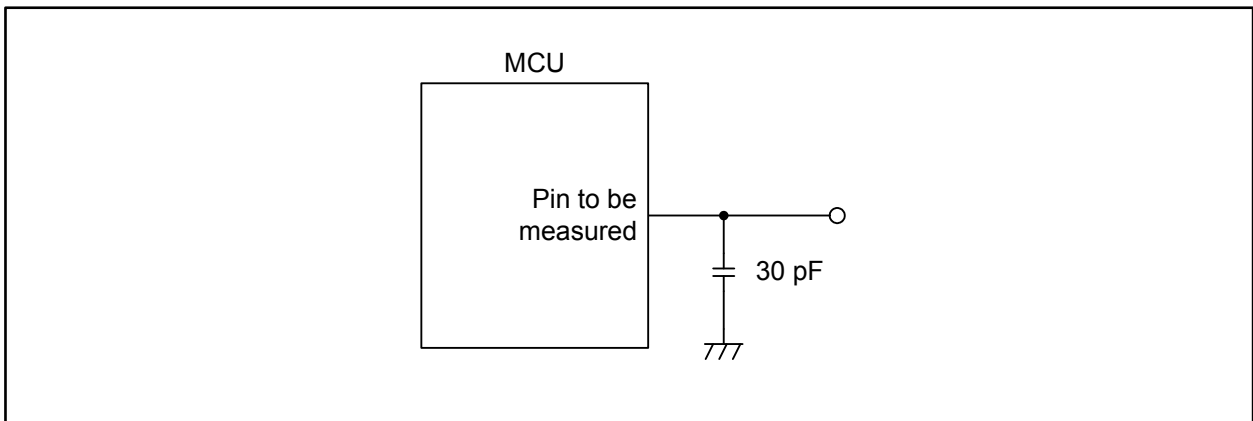


Figure 27.6 Switching Characteristic Measurement Circuit

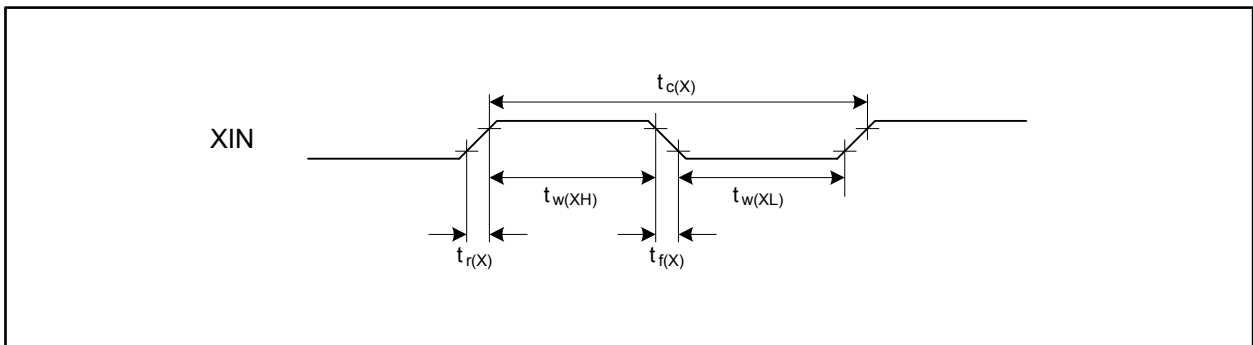


Figure 27.7 External Clock Input Timing

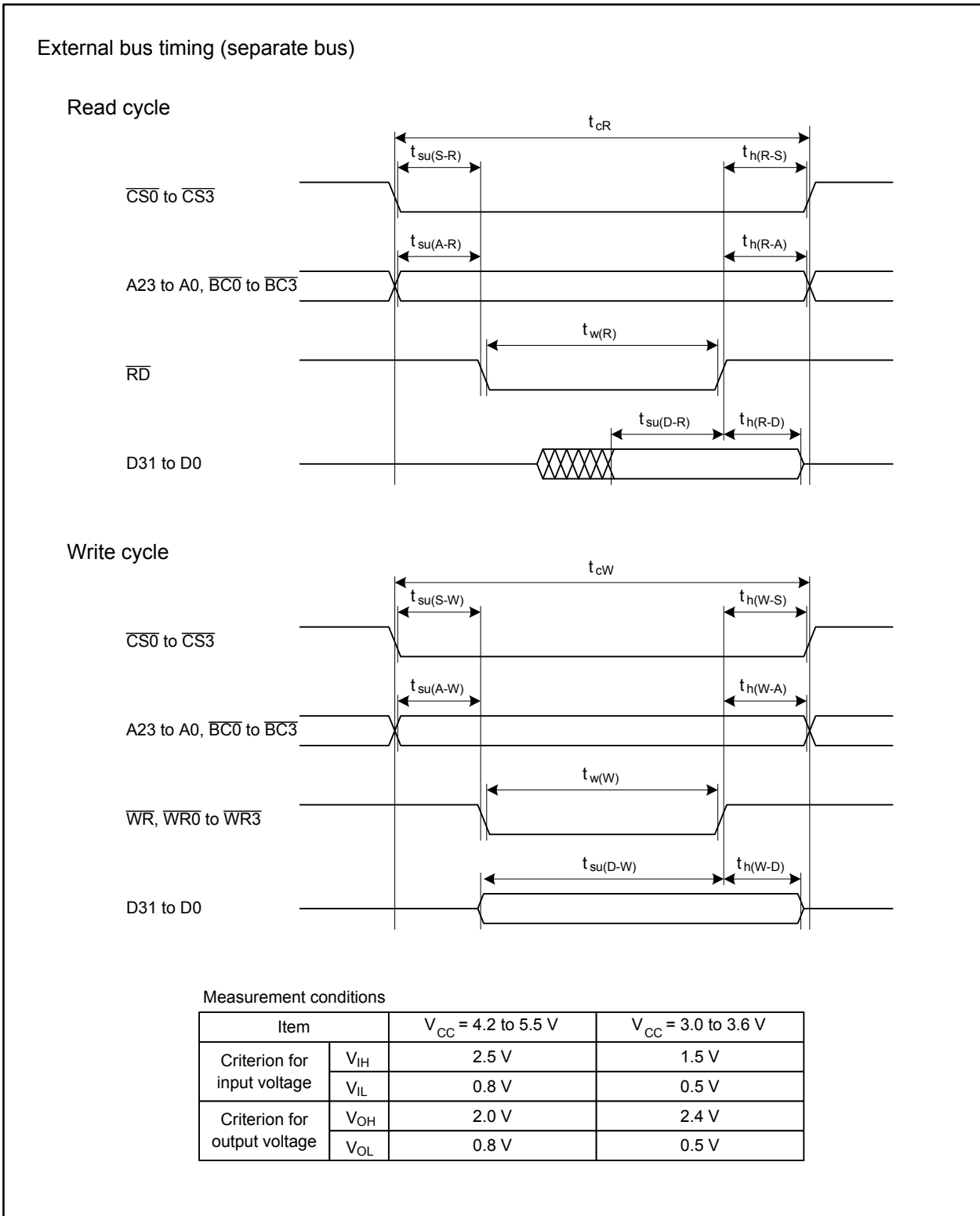


Figure 27.8 External Bus Timing for Separate Bus

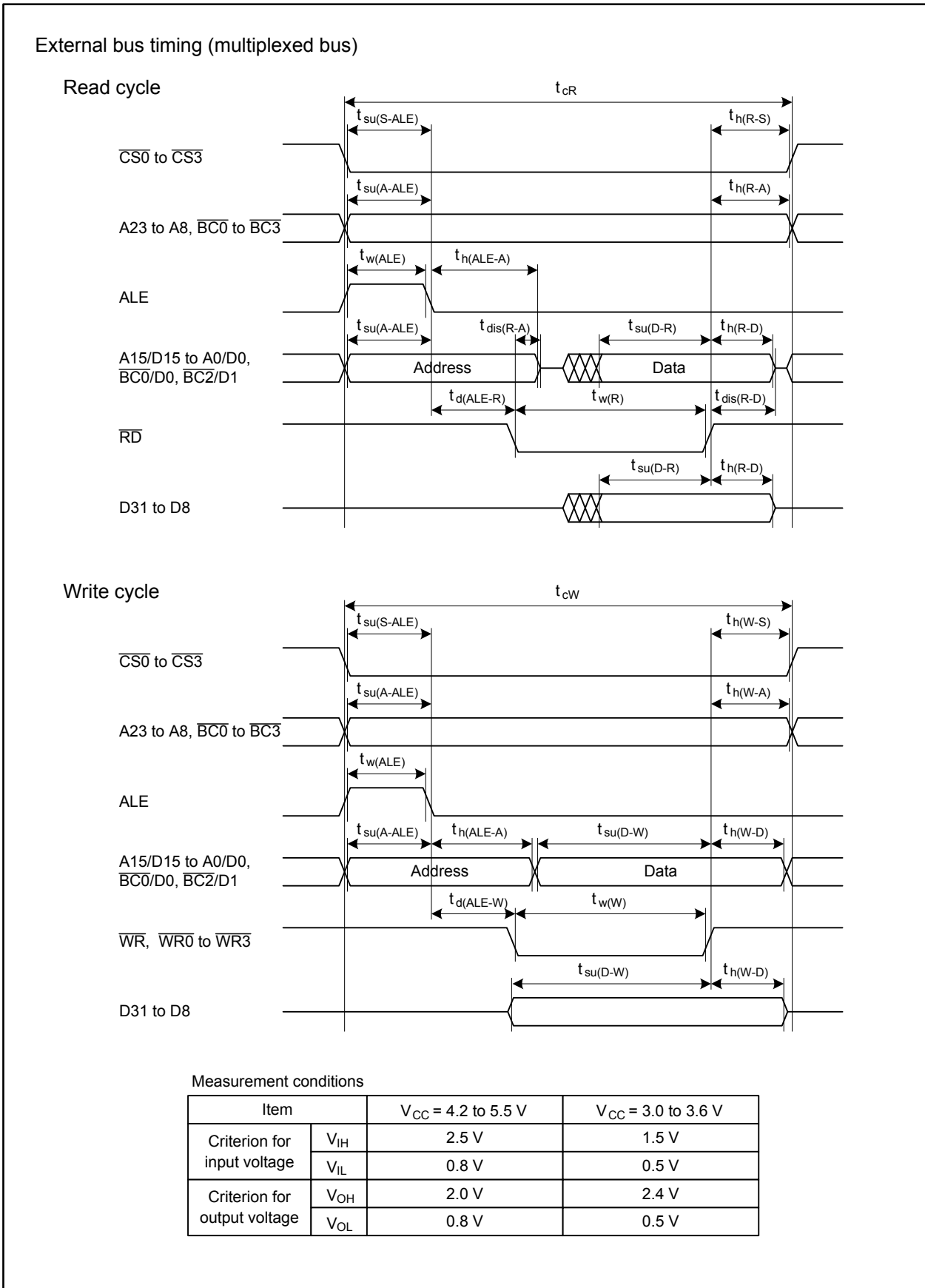


Figure 27.9 External Bus Timing for Multiplexed Bus

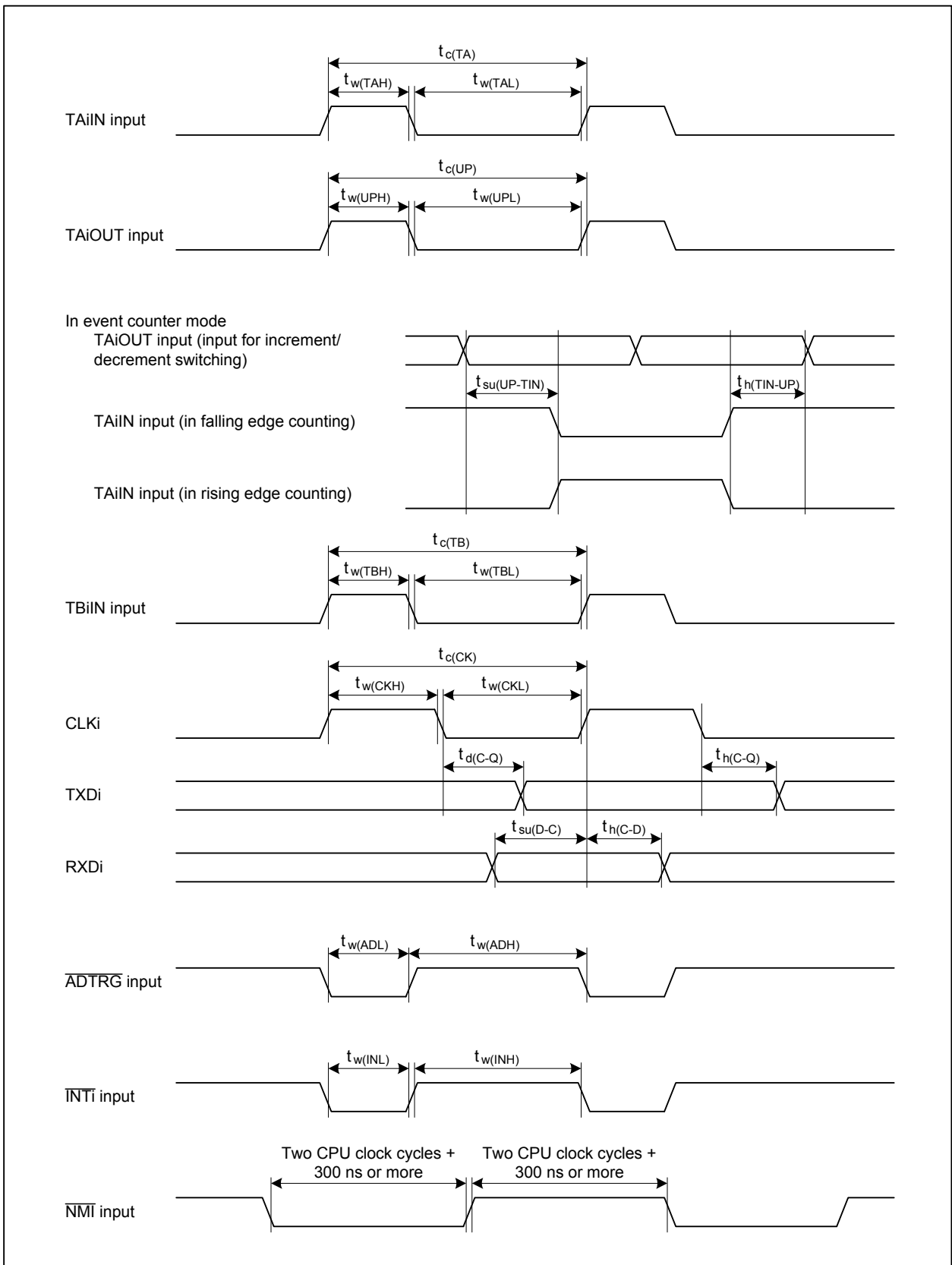


Figure 27.10 Timing of Peripherals

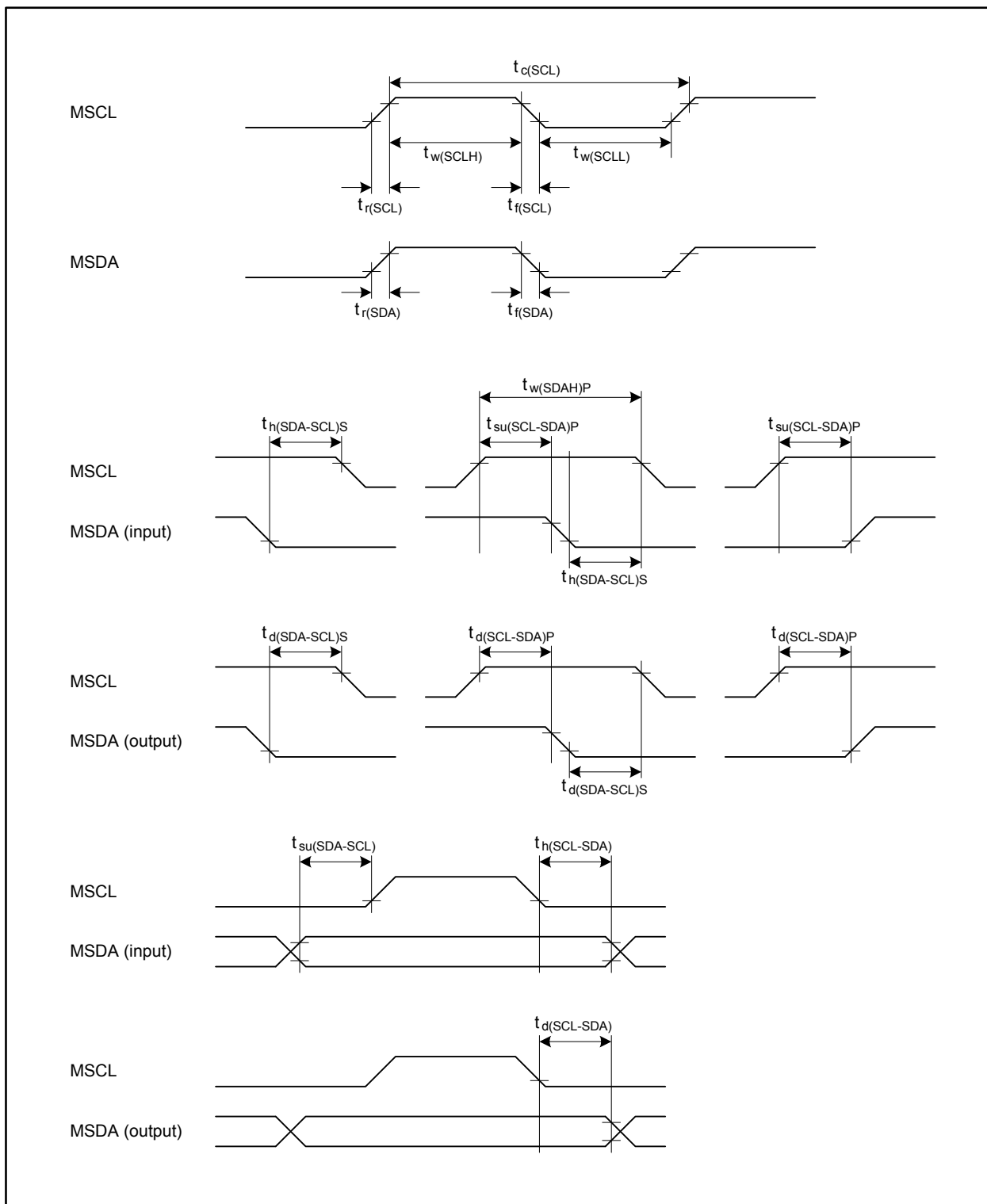


Figure 27.11 Timing of Multi-master I²C-bus Interface

28. Usage Notes

28.1 Notes on Board Designing

28.1.1 Power Supply Pins

The board should be designed so there is no potential difference between pins with the same name. Note the following points:

- Connect all VSS pins to the same GND. Traces for the pins should be as wide as physically possible so the same voltage can be applied to every VSS pin.
- Connect all VCC pins to the same power supply. Traces for the pins should be as wide as physically possible so the same voltage can be applied to every VCC pin.

Insert a capacitor between each VCC pin and the VSS pin to prevent operation errors due to noise. The capacitor should be beneficially effective at high and low frequencies and should have a capacitance of approximately 0.1 μF . The traces for the capacitor and the power supply pins should be as short and wide as physically possible.

28.1.2 Supply Voltage

The device is operationally guaranteed under operating conditions specified in electrical characteristics.

Drive the RESET pin low before the supply voltage becomes lower than the recommended value.

28.2 Notes on Register Setting

28.2.1 Registers with Write-only Bits

Read-modify-write instructions cannot be used when setting a register containing write-only bits. Read-modify-write instructions read a value of an address, modify the value, and write the modified value to the same address. Table 28.1 lists read-modify-write instructions, and Table 28.2 lists registers containing write-only bits. To set a new value by modifying the previous one, write the previous value into RAM as well as to the register, change the contents of the RAM and then transfer the new value to the register by the MOV instruction.

Table 28.1 Read-modify-write Instructions

Function	Mnemonic
Transfer	MOV <i>Dir</i>
Bit processing	BCLR, BMC <i>nd</i> , BNOT, BSET, BTSTC, and BTSTS
Shifting	ROLC, RORC, ROT, SHA, and SHL
Arithmetic operation	ABS, ADC, ADCF, ADD, ADSF, DEC, DIV, DIVU, DIVX, EXTS, EXTZ, INC, MUL, MULU, NEG, SBB, and SUB
Decimal operation	DADC, DADD, DSBB, and DSUB
Floating-point operation	ADDF, DIVF, MULF, and SUBF
Logical operation	AND, NOT, OR, and XOR

Table 28.2 Registers with Write-only Bits

Module	Register	Symbol	Address
Watchdog timer	Watchdog timer start register	WDTS	04404Eh
Timer A	Timer A0 register ⁽¹⁾	TA0	0347h-0346h
	Timer A1 register ⁽¹⁾	TA1	0349h-0348h
	Timer A2 register ⁽¹⁾	TA2	034Bh-034Ah
	Timer A3 register ⁽¹⁾	TA3	034Dh-034Ch
	Timer A4 register ⁽¹⁾	TA4	034Fh-034Eh
	Increment/decrement select register	UDF	0344h
Three-phase motor control timers	Timer B2 interrupt generating frequency set counter	ICTB2	030Dh
	Timer A1-1 register	TA11	0303h-0302h
	Timer A2-1 register	TA21	0305h-0304h
	Timer A4-1 register	TA41	0307h-0306h
	Dead time timer	DTT	030Ch
Serial interface	UART0 bit rate register	U0BRG	0369h
	UART1 bit rate register	U1BRG	02E9h
	UART2 bit rate register	U2BRG	0339h
	UART3 bit rate register	U3BRG	0329h
	UART4 bit rate register	U4BRG	02F9h
	UART5 bit rate register	U5BRG	01C9h
	UART6 bit rate register	U6BRG	01D9h
	UART7 bit rate register	U7BRG	01E1h
	UART8 bit rate register	U8BRG	01E9h
	UART0 transmit buffer register	U0TB	036Bh-036Ah
	UART1 transmit buffer register	U1TB	02EBh-02EAh
	UART2 transmit buffer register	U2TB	033Bh-033Ah
	UART3 transmit buffer register	U3TB	032Bh-032Ah
	UART4 transmit buffer register	U4TB	02FBh-02FAh
	UART5 transmit buffer register	U5TB	01CBh-01CAh
	UART6 transmit buffer register	U6TB	01DBh-01DAh
	UART7 transmit buffer register	U7TB	01E3h-01E2h
	UART8 transmit buffer register	U8TB	01EBh-01EAh
	Intelligent I/O	Group 2 SIO transmit buffer register	G2TB

1. The register has write-only bits in one-shot timer mode and pulse-width modulation mode.

28.3 Notes on Clock Generator

28.3.1 Sub Clock

28.3.1.1 Oscillator Constant Matching

The constant matching of the sub clock oscillator should be evaluated in both cases when the drive strength is high and low.

Contact the oscillator manufacturer for details on the oscillation circuit constant matching.

28.3.2 Power Control

Do not switch the base clock source until the oscillation of the clock to be used has stabilized. However, this does not apply to the on-chip oscillator since it starts running immediately after the CM31 bit in the CM3 register is set to 1.

To switch the base clock source from the PLL clock to a low speed clock, use the MOV.L or OR.L instruction to set the BCS bit in the CCR register to 1.

- Program example in assembly language

```
OR.L    #80h, 0004h
```

- Program example in C language

```
asm("OR.L #80h, 0004h");
```

28.3.2.1 Stop Mode

- To exit stop mode using a reset, apply a low signal to the $\overline{\text{RESET}}$ pin until the main clock oscillation stabilizes.

28.3.2.2 Suggestions for Power Saving

The following are suggestions to reduce power consumption when programming or designing systems.

- I/O pins:

If inputs are floating, both transistors may be conducting. Set unassigned pins to input mode and connect each of them to VSS via a resistor, or set them to output mode and leave them open.

- A/D converter:

When not performing the A/D conversion, set the VCUT bit in the AD0CON1 register to 0 (VREF disconnected). To perform the A/D conversion, set the VCUT bit to 1 (VREF connected) and wait at least 1 μs before starting conversion.

- D/A converter:

When not performing the D/A conversion, set the DAiE bit in the DACON register ($i = 0, 1$) to 0 (output disabled) and the DAi register to 00h.

- Peripheral clock stop:

When entering wait mode, power consumption can be reduced by setting the CM02 bit in the CM0 register to 1 to stop the peripheral clock source. However, this setting does not stop the fC32.

28.4 Notes on Bus

28.4.1 Notes on Designing a System

When a flash memory rewrite is performed in CPU rewrite mode using memory expansion mode, the use of $\overline{CS0}$ space and $\overline{CS3}$ space has the following restrictions:

- If the FEBC0 and/or FEBC3 registers are set in CPU rewrite mode, the bus format for the corresponding space functions as separate bus. Any external devices connected in multiplexed bus format become inaccessible.
- If the FEBC0 and/or FEBC3 registers are set in CPU rewrite mode, the bus timing for the corresponding space changes. This may cause external devices to become inaccessible depending on the register settings.

Devices required to be accessed in CPU rewrite mode should be allocated in $\overline{CS1}$ space and/or $\overline{CS2}$ space.

28.4.2 Notes on Register Settings

28.4.2.1 Chip Select Boundary Select Registers

When not using memory expansion mode, do not change values after a reset for registers CB01, CB12, and CB23.

When using memory expansion mode, set all of these registers to a value within the specified range whether or not each chip select space is used.

28.4.2.2 External Bus Control Registers

Registers EBC0 and EBC3 share respective addresses with registers FEBC0 and FEBC3. If the FEBC0 and/or FEBC3 registers are set while the flash memory is being rewritten, set the EBC0 and/or EBC3 registers again after rewriting the flash memory.

28.5 Notes on Interrupts

28.5.1 ISP Setting

The interrupt stack pointer (ISP) is initialized to 00000000h after a reset. Set a value to the ISP before an interrupt is accepted, otherwise the program may go out of control. A multiple of 4 should be set to the ISP, which enables faster interrupt sequence due to less memory access.

When using NMI, in particular, since this interrupt cannot be disabled, set the PM24 bit in the PM2 register to 1 (NMI enabled) after setting the ISP at the beginning of the program.

28.5.2 NMI

- NMI cannot be disabled once the PM24 bit in the PM2 register is set to 1 (NMI enabled). This bit setting should be done only when using NMI.
- When the PM24 bit in the PM2 register is 1 (NMI enabled), the P8_5 bit in the P8 register is enabled just for monitoring the $\overline{\text{NMI}}$ pin state. It is not enabled as a general port.

28.5.3 External Interrupts

- The input signal to the $\overline{\text{INT}}_i$ pin requires the pulse width specified in the electrical characteristics ($i = 0$ to 8). If the pulse width is narrower than the specification, an external interrupt may not be accepted.
- When the effective level or edge of the $\overline{\text{INT}}_i$ pin ($i = 0$ to 8) is changed by the following bits: bits POL, LVS in the INTiIC register, the IFSR0i bit ($i = 0$ to 5) in the IFSR0 register, and the IFSR1j bit ($j = i - 6$; $i = 6$ to 8) in the IFSR1 register, the corresponding IR bit may become 1 (interrupt requested). When setting the above mentioned bits, preset bits ILVL2 to ILVL0 in the INTiIC register to 000b (interrupt disabled). After setting the above mentioned bits, set the corresponding IR bit to 0 (no interrupt requested), then rewrite bits ILVL2 to ILVL0.
- The interrupt input signals to pins $\overline{\text{INT}}_6$ to $\overline{\text{INT}}_8$ are also connected to bits INT6R to INT8R in registers IIO9IR to IIO11IR. Therefore, these input signals, when assigned to the intelligent I/O, can be used as a source for exiting wait mode or stop mode. Note that these signals are enabled only on the falling edge and not affected by the following bit settings: bits POL and LVS in the INTiIC register ($i = 0$ to 8), IFSR0i bit ($i = 0$ to 5) in the IFSR0 register, and the IFSR1j bit ($j = i - 6$; $i = 6$ to 8) in the IFSR1 register.

28.6 Notes on DMAC

28.6.1 DMAC-associated Register Settings

- Set DMAC-associated registers while bits MDi1 and MDi0 in the DMDi register are 00b (DMA transfer disabled) (i = 0 to 3). Then, set bits MDi1 and MDi0 to 01b (single transfer) or 11b (repeat transfer) at the end of the setup procedure. This procedure also applies when rewriting bits UDAi, USAi, and BWi1 and BWi0 in the DMDi register.
- When rewriting the DMAC-associated registers while DMA transfer is enabled, stop the peripherals that can be DMA triggers so that no DMA transfer request is generated, then set bits MDi1 and MDi0 in the DMDi register of the corresponding channel to 00b (DMA transfer disabled).
- Once a DMA transfer request is accepted, DMA transfer cannot be disabled even if setting bits MDi1 and MDi0 in the DMDi register to 00b (DMA transfer disabled). Do not change the settings of any DMAC-associated registers other than bits MDi1 and MDi0 until the DMA transfer is completed.
- After setting registers DMiSL and DMiSL2, wait at least six peripheral bus clocks to set bits MDi1 and MDi0 in the DMDi register to 01b (single transfer) or 11b (repeat transfer).

28.6.2 Reading DMAC-associated Registers

- Use the following read order to sequentially read registers DMiSL and DMiSL2:
DM0SL, DM1SL, DM2SL, and DM3SL
DM0SL2, DM1SL2, DM2SL2, and DM3SL2

28.7 Notes on Timers

28.7.1 Timer A and Timer B

All timers are stopped after a reset. To restart timers, configure parameters such as operating mode, count source, and counter value, then set the TAI_S bit or TB_JS bit in the TABSR or TBSR register to 1 (count starts) (i = 0 to 4; j = 0 to 5).

The following registers and bits should be set while the TAI_S bit or TB_JS bit is 0 (count stops):

- Registers TAI_{MR} and TB_JMR
- UDF register
- Bits TAZIE, TA0TGL, and TA0TGH in the ONSF register
- TRGSR register

28.7.2 Timer A

28.7.2.1 Timer Mode

- While the timer counter is running, the TAI register indicates a counter value at any given time. However, FFFFh is read while reloading is in progress. A set value is read if the TAI register is set while the timer counter is stopped.

28.7.2.2 Event Counter Mode

- While the timer counter is running, the TAI register indicates a counter value at any given time. However, FFFFh is read if the timer counter underflows or 0000h if overflows while reloading is in progress. A set value is read if the TAI register is set while the timer counter is stopped.

28.7.2.3 One-shot Timer Mode

- If the TAI_S bit in the TABSR register is set to 0 (count stops) while the timer counter is running, the following operations are performed:
 - The timer counter stops and the setting value of the TAI register is reloaded.
 - A low signal is output at the TAI_{OUT} pin.
 - The IR bit in the TAI_{IC} register becomes 1 (interrupts requested) after one CPU clock cycle.
- The one-shot timer is operated by an internal count source. When the trigger is an input to the TAI_{IN} pin, the signal is output with a maximum one count source clock delay after a trigger input to the TAI_{IN} pin.
- The IR bit becomes 1 by any of the settings below. To use the timer Ai interrupt, set the IR bit to 0 after one of the settings below is done:
 - Select one-shot timer mode after a reset.
 - Switch operating modes from timer mode to one-shot timer mode.
 - Switch operating modes from event counter mode to one-shot timer mode.
- If a retrigger occurs while counting, the timer counter decrements by one, reloads the setting value of the TAI register, and then continues counting. To generate a retrigger while counting, wait at least one count source cycle after the last trigger is generated.
- When an external trigger input is selected to start counting in timer A one-shot mode, do not provide an external retrigger for 300 ns before the timer counter reaches 0000h. Otherwise, it may stop counting.

28.7.2.4 Pulse-width Modulation Mode

- The IR bit becomes 1 by any of the settings below. To use the timer Ai interrupt, set the IR bit to 0 after one of the settings below is done (i = 0 to 4):
 - Select pulse-width modulation mode after a reset.
 - Switch operating modes from timer mode to pulse-width modulation mode.
 - Switch operating modes from event counter mode to pulse-width modulation mode.

- If the TAI_S bit in the TABSR register is set to 0 (count stops) while PWM pulse is output, the following operations are performed:
 - The timer counter stops.
 - The output level at the TAI_{OUT} pin changes from high to low. The IR bit becomes 1.
 - When a low signal is output at the TAI_{OUT} pin, it does not change. The IR bit does not change, either.

28.7.3 Timer B

28.7.3.1 Timer Mode and Event Counter Mode

- While the timer counter is running, the TBj register indicates a counter value at any given time (j = 0 to 5). However, FFFFh is read while reloading is in progress. When a value is set to the TBj register while the timer counter is stopped, if the TBj register is read before the count starts, the set value is read.

28.7.3.2 Pulse Period/Pulse-width Measure Mode

- While the TBjS bit in the TABSR or TBSR register is 1 (start counter), after the MR3 bit becomes 1 (overflow) and at least one count source cycle has elapsed, a write operation to the TBjMR register sets the MR3 bit to 0 (no overflow).
- Use the IR bit in the TBjIC register to detect overflow. The MR3 bit is used only to determine an interrupt request source within the interrupt handler.
- The counter value is undefined when the timer counter starts. Therefore, the timer counter may overflow before a measured pulse is applied on the initial valid edge and cause a timer Bj interrupt request to be generated.
- When the measured pulse is applied on the initial valid edge after the timer counter starts, an undefined value is transferred to the reload register. At this time, a timer Bj interrupt request is not generated.
- The IR bit may become 1 (interrupt requested) by changing bits MR1 and MR0 in the TBjMR register after the timer counter starts. However, if the same value is rewritten to bits MR1 and MR0, the IR bit does not change.
- Pulse width is continuously measured in pulse-width measure mode. Whether the measurement result is high-level width or not is determined by a program.
- When an overflow occurs at the same time a pulse is applied on the valid edge, this pulse is not recognized since an interrupt request is generated only once. Do not let an overflow occur in pulse period measure mode.
- In pulse-width measure mode, determine whether an interrupt source is a pulse applied on the valid edge or an overflow by reading the port level in the timer Bj interrupt handler.

28.8 Notes on Three-phase Motor Control Timers

28.8.1 Shutdown

- When a low signal is applied to the $\overline{\text{NMI}}$ pin with the following bit settings, pins TA1OUT, TA2OUT, and TA4OUT become high-impedance: the PM24 bit in the PM2 register is 1 (NMI enabled), the INV02 bit in the INVC0 register is 1 (three-phase motor control timers used), and the INV03 bit is 1 (three-phase motor control timer output enabled).

28.8.2 Register Setting

- Do not write to the TAI1 register before and after timer B2 underflows ($i = 1, 2, 4$). Before writing to the TAI1 register, read the TB2 register to verify that sufficient time remains until timer B2 underflows. Then, immediately write to the TAI1 register so no interrupt handling is performed during this write procedure. If the TB2 register indicates little time remains until the underflow, write to the TAI1 register after timer B2 underflows.

28.9 Notes on Serial Interface

28.9.1 Changing the UiBRG Register (i = 0 to 8)

- Set the UiBRG register after setting bits CLK1 and CLK0 in the UiC0 register. When these bits are changed, the UiBRG register must be set again.
- When a clock is input immediately after the UiBRG register is set to 00h, the counter may become FFh. In this case, it requires extra 256 clocks to reload 00h to the register. Once 00h is reloaded, the counter performs the operation without dividing the count source according to the setting.

28.9.2 Synchronous Serial Interface Mode

28.9.2.1 Selecting an External Clock

- If an external clock is selected, the following conditions must be met while the external clock is held high when the CKPOL bit in the UiC0 register is 0 (transmit data output on the falling edge of the transmit/receive clock and receive data input on the rising edge), or while the external clock is held low when the CKPOL bit is 1 (transmit data output on the rising edge of the transmit/receive clock and receive data input on the falling edge) (i = 0 to 8):
 - The TE bit in the UiC1 register is 1 (transmission enabled).
 - The RE bit in the UiC1 register is 1 (reception enabled). This bit setting is not required when only transmitting.
 - The TI bit in the UiC1 register is 0 (data held in the UiTB register).

28.9.2.2 Receive Operation

- In synchronous serial interface mode, the transmit/receive clock is controlled by the transmit control circuit. Set UARTi-associated registers for a transmit operation, even if the MCU is used only for receive operation (i = 0 to 8). Dummy data is output from the TXDi pin while receiving when the TXDi pin is set to output mode.
- When data is received continuously, an overrun error occurs when the RI bit in the UiC1 register is 1 (data held in the UiRB register) and the seventh bit of the next data is received in the UARTi receive shift register. Then, the OER bit in the UiRB register becomes 1 (overrun error occurred). In this case, the UiRB register becomes undefined. If an overrun error occurs, the IR bit in the SiRIC register does not change to 1.

28.9.3 Special Mode 1 (I²C Mode)

- To generate a START condition, STOP condition, or repeated START condition, set the STSPSEL bit in the UiSMR4 register to 0 (i = 0 to 6). Then, wait at least a half clock cycle of the transmit/receive clock to change the condition generate bits (STAREQ, RSTAREQ, or STPREQ bit) from 0 to 1.

28.9.4 Reset Procedure on Communication Error

Operations which result in communication errors such as rewriting function select registers during transmission/reception should not be performed. Follow the procedure below to reset the internal circuit once the communication error occurs in the following cases: when the operation above is performed by a receiver or transmitter or when a bit slip is caused by noise.

A. Synchronous Serial Interface Mode

- (1) Set the TE bit in the UiC1 register to 0 (transmission disabled) and the RE bit to 0 (reception disabled) (i = 0 to 8).
- (2) Set bits SMD2 to SMD0 in the UiMR register to 000b (serial interface disabled).
- (3) Set bits SMD2 to SMD0 in the UiMR register to 001b (synchronous serial interface mode).
- (4) Set the TE bit in the UiC1 register to 1 (transmission enabled) and the RE bit to 1 (reception enabled) if necessary.

B. UART Mode

- (1) Set the TE bit in the UiC1 register to 0 (transmission disabled) and the RE bit to 0 (reception disabled).
- (2) Set bits SMD2 to SMD0 in the UiMR register to 000b (serial interface disabled).
- (3) Set bits SMD2 to SMD0 in the UiMR register to 100b (UART mode, 7-bit character length), 101b (UART mode, 8-bit character length), or 110b (UART mode, 9-bit character length).
- (4) Set the TE bit in the UiC1 register to 1 (transmission enabled) and the RE bit to 1 (reception enabled) if necessary.

28.10 Notes on A/D Converter

28.10.1 Notes on Designing Boards

- Three capacitors should be placed between the AVSS pin and pins such as AVCC, VREF, and analog inputs (AN_0 to AN_7, AN0_0 to AN0_7, AN2_0 to AN2_7, and AN15_0 to AN15_7) to avoid erroneous operations caused by noise or latchup, and to reduce conversion errors. Figure 28.1 shows an example of pin configuration for A/D converter.

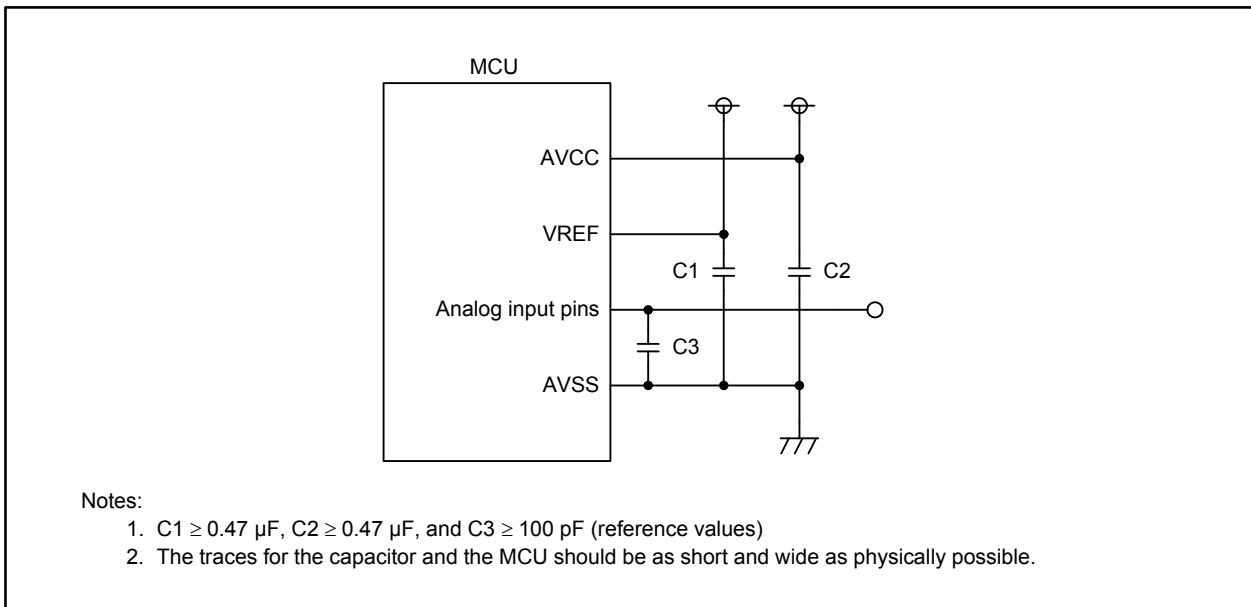


Figure 28.1 Pin Configuration for the A/D Converter

- Do not use AN_4 to AN_7 for analog input if the key input interrupt is to be used. Otherwise, a key input interrupt request occurs when the A/D input voltage becomes VIL or lower.
- When AVCC = VREF = VCC, A/D input voltage for pins AN_0 to AN_7, AN0_0 to AN0_7, AN2_0 to AN2_7, AN15_0 to AN15_7, ANEX0, and ANEX1 should be VCC or lower.

28.10.2 Notes on Programming

- The following registers should be written while A/D conversion is stopped. That is, before a trigger occurs: AD0CON0 (except the ADST bit), AD0CON1, AD0CON2, AD0CON3, and AD0CON4.
- When the VCUT bit in the AD0CON1 register is changed from 0 (VREF connected) to 1 (VREF disconnected), wait for at least 1 μ s before starting A/D conversion. When not performing A/D conversion, set the VCUT bit to 0 to reduce power consumption.
- Set the port direction bit for the pin to be used as an analog input pin to 0 (input). Set the ASEL bit of the corresponding port function select register to 1 (port is used as A/D input).
- When the TRG bit in the AD0CON0 register is 1 (external trigger or hardware trigger), set the corresponding port direction bit (PD9_7 bit) for the $\overline{\text{ADTRG}}$ pin to 0 (input).
- The ϕ_{AD} frequency should be 16 MHz or lower when VCC is 4.2 to 5.5 V, and 10 MHz or lower when VCC is 3.0 to 4.2 V. It should be 1 MHz or higher when the sample and hold function is enabled. If not, it should be 250 kHz or higher.
- When A/D operating mode (bits MD1 and MD0 in the AD0CON0 register or the MD2 bit in the AD0CON1 register) has been changed, reselect analog input pins by setting bits CH2 to CH0 in the AD0CON0 register or bits SCAN1 and SCAN0 in the AD0CON1 register.
- If the AD0i register is read when the A/D converted result is stored to the register, the stored value may have an error ($i = 0$ to 7). Read the AD0i register after A/D conversion is completed. In one-shot mode or single sweep mode, read the AD0i register after the IR bit in the AD0IC register becomes 1 (interrupt requested). In repeat mode, repeat sweep mode 0, or repeat sweep mode 1, an interrupt request can be generated each time A/D conversion is completed when the DUS bit in the AD0CON3 register is 1 (DMAC operating mode enabled). Similar to the other modes above, read the AD00 register after the IR bit in the AD0IC register becomes 1 (interrupt requested).
- When an A/D conversion is halted by setting the ADST bit in the AD0CON0 register to 0, the converted result is undefined. In addition, the unconverted AD0i register may also become undefined. Consequently, the AD0i register should not be used just after A/D conversion is halted.
- External triggers cannot be used in DMAC operating mode. When the DMAC is configured to transfer converted results, do not read the AD00 register by a program.
- While in single sweep mode, if A/D conversion is halted by setting the ADST bit in the AD0CON0 register to 0 (A/D conversion is stopped), an interrupt request may be generated even though the sweep is not completed. To halt A/D conversion, disable interrupts before setting the ADST bit to 0.

28.11 Notes on Flash Memory Rewriting

28.11.1 Note on Power Supply

- Keep the supply voltage constant within the range specified in the electrical characteristics while a rewrite operation on the flash memory is in progress. If the supply voltage goes beyond the guaranteed value, the device cannot be guaranteed.

28.11.2 Note on Hardware Reset

- Do not perform a hardware reset while a rewrite operation on the flash memory is in progress.

28.11.3 Note on Flash Memory Protection

- If an ID code written in an assigned address has an error, any read/write operation on the flash memory in standard serial I/O mode is disabled.

28.11.4 Notes on Programming

- Do not set the FEW bit in the FMCR register to 1 (CPU rewrite mode) in low speed mode or low power mode.
- The program, block erase, lock bit program, and protect bit program are interrupted by an NMI, a watchdog timer interrupt, an oscillator stop detection interrupt, or a low voltage detection interrupt. If any of the software commands above are interrupted, erase the corresponding block and then execute the same command again. If the block erase command is interrupted, the lock bit and protect bit values become undefined. Therefore, disable the lock bit, and then execute the block erase command again.

28.11.5 Notes on Interrupts

- EW0 mode
 - To use interrupts assigned to the relocatable vector table, the vector table should be addressed in RAM space.
 - When an NMI, watchdog timer interrupt, oscillator stop detection interrupt, or low voltage detection interrupt occurs, the flash memory module automatically enters read array mode. Therefore, these interrupts are enabled even during a rewrite operation. However, the rewrite operation in progress is aborted by the interrupts and registers FMR0 and FRSR0 are reset. When the interrupt handler has ended, set the LBD bit in the FMR1 register to 1 (lock bit protection disabled) to re-execute the rewrite operation.
 - Instructions BRK, INTO, and UND, which refer to data on the flash memory, cannot be used in this mode.
- EW1 mode
 - Interrupts assigned to the relocatable vector table should not be accepted during program or block erase operation.
 - The watchdog timer interrupt should not be generated.
 - When an NMI, watchdog timer interrupt, oscillator stop detection interrupt, or low voltage detection interrupt occurs, the flash memory module automatically enters read array mode. Therefore, these interrupts are enabled even during a rewrite operation. However, the rewrite operation in progress is aborted by the interrupts and registers FMR0 and FRSR0 are reset. When the interrupt handler has ended, set the EWM bit in the FMR0 register to 1 (EW1 mode) and the LBD bit in the FMR1 register to 1 (lock bit protection disabled) to re-execute the rewrite operation.

28.11.6 Notes on Rewrite Control Program

- EW0 mode
 - If the supply voltage drops during the rewrite operation of blocks having the rewrite control program, the rewrite control program may not be successfully rewritten, and the rewrite operation itself may not be performed. In this case, perform the rewrite operation by serial programmer or parallel programmer.
- EW1 mode
 - Do not rewrite blocks having the rewrite control program.

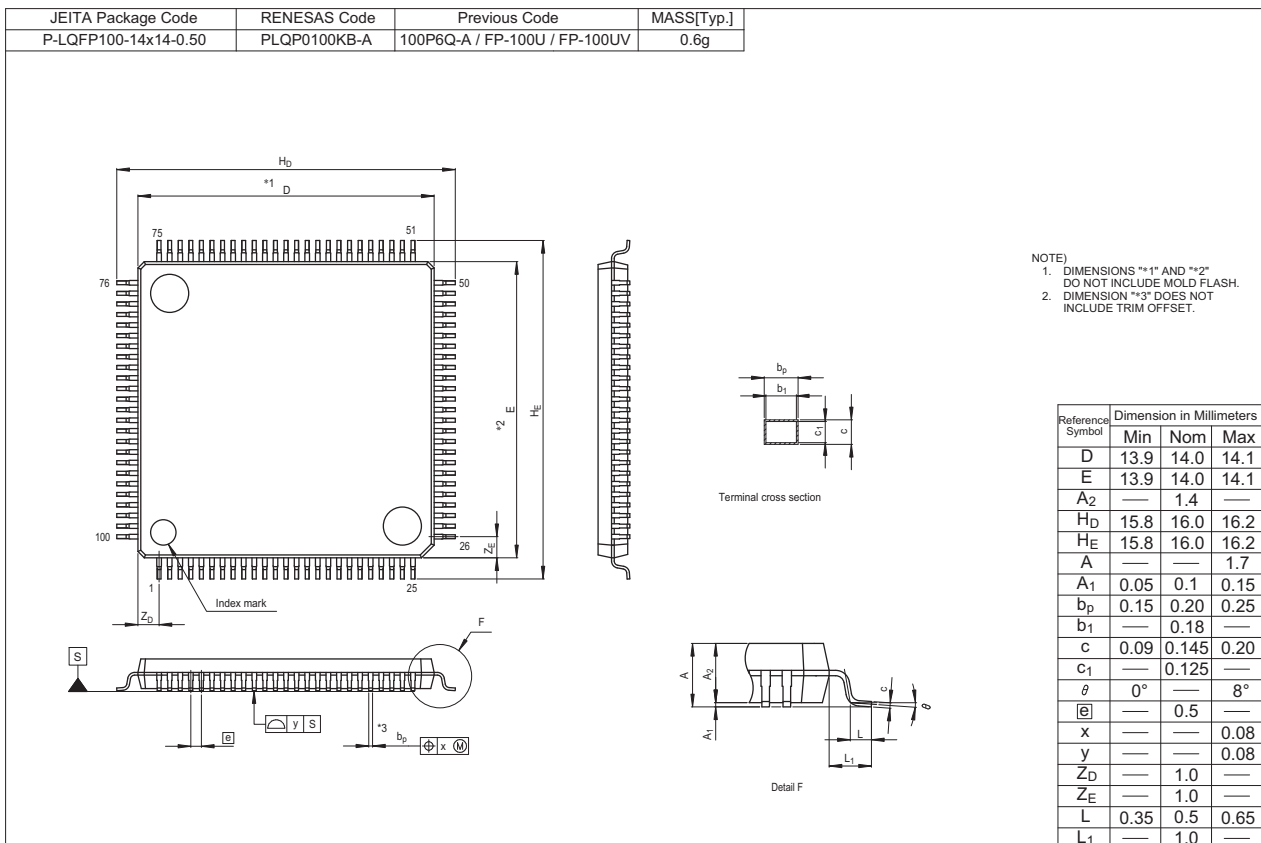
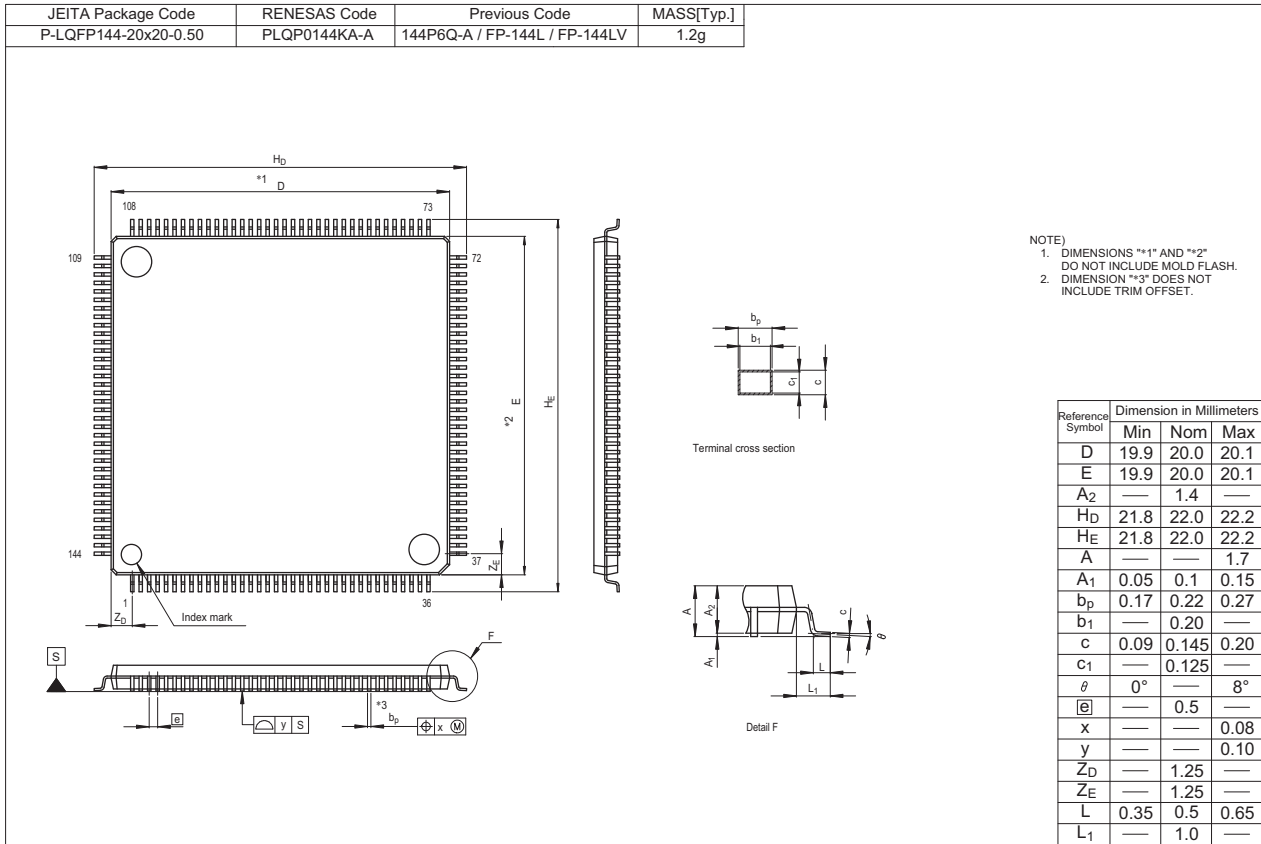
28.11.7 Notes on Number of Program/Erase Cycles and Software Command Execution Time

- The time to execute software commands (program, block erase, lock bit program, and protect bit program) increases as the number of program/erase cycles increases. If the number of program/erase cycles exceeds the endurance value specified in the electrical characteristics, it may take an unpredictable amount of time to execute the software commands. The wait time for executing software commands should be set much longer than the execution time specified in the electrical characteristics.

28.11.8 Other Notes

- The minimum values of program/erase cycles specified in the electrical characteristics are the maximum values that can guarantee the initial performance of the flash memory. The program/erase operation may still be performed even if the number of program/erase cycles exceeds the guaranteed values.
- Chips repeatedly programmed and erased for debugging should not be used for commercial products.

Appendix 1. Package Dimensions



INDEX

A

A0	25
A1	25
A2	25
A3	25
AD00 to AD07	292
AD0CON0	288
AD0CON1	289
AD0CON2	290
AD0CON3	291
AD0CON4	292
AD0IC	137
Address Register	25

B

B Flag	26
BCN0IC to BCN6IC	137
BRK Instruction Interrupt	128
BRK2 Instruction Interrupt	128
BTSR	323

C

C Flag	25
Carry Flag	25
CB01	104
CB12	105
CB23	105
CCR	70
CM0	71
CM1	72
CM2	73
CM3	73
CPSRF	74
CRCD	308
CRCIN	309
CSOP0	103
CSOP1	103
CSOP2	104

D

D Flag	25
DA0, DA1	307
DACON	307
Data Register	25
DCR0 to DCR3	27, 162
DCT0 to DCT3	27, 161

DDA0 to DDA3	27, 163
DDR0 to DDR3	27, 163
Debug Flag	25
DM0IC to DM3IC	137
DM0SL to DM3SL	157
DM0SL2 to DM3SL2	158
DMA Destination Address Register	27
DMA Destination Address Reload Register	27
DMA Mode Register	27
DMA Source Address Register	27
DMA Source Address Reload Register	27
DMA Terminal Count Register	27
DMA Terminal Count Reload Register	27
DMD0 to DMD3	27, 161
DP Bit	26
DSA0 to DSA3	27, 162
DSR0 to DSR3	27, 163
DTT	229
DVCR	62

E

EBC0 to EBC3	108
--------------------	-----

F

Fast Interrupt	130
FB	25
FBPM0	436
FBPM1	436
FBPM2	437
FEBC0, FEBC3	433
Fixed-point Designation Bit	26
Flag Register	25
FLG	25
Floating-point Overflow Flag	26
Floating-point Rounding Mode	26
Floating-point Underflow Flag	26
FMCR	432
FMR0	434
FMR1	435
FMSR0	435
FO Flag	26
FPR0	434
Frame Base Register	25
FU Flag	26

G

G0BCR0 to G2BCR0	320
G0BCR1, G1BCR1	321
G0BT to G2BT	319
G0FE to G2FE	329

G0FS, G1FS	328
G0PO0 to G0PO7	328
G0POCR0 to G0POCR7	326
G0TM0 to G0TM7	325
G0TMCR0 to G0TMCR7	324
G0TPR6, G0TPR7	324
G1PO0 to G1PO7	328
G1POCR0 to G1POCR7	326
G1TM0 to G1TM7	325
G1TMCR0 to G1TMCR7	324
G1TPR6, G1TPR7	324
G2BCR1	322
G2CR	356
G2MR	355
G2PO0 to G2PO7	328
G2POCR0 to G2POCR7	327
G2RB	355
G2RTP	329
G2TB	354

H

Hardware Interrupt	129
--------------------------	-----

I

I Flag	26
I2CCCR	368
I2CCR0	366
I2CCR1	371
I2CCR2	374
I2CIC	137
I2CLIC	137
I2CMR	380
I2CSAR	365
I2CSR	376
I2CSSCR	370
I2CTRSR	364
ICTB2	221
IDB0, IDB1	220
IEAR	357
IECR	357
IERIF	358
IETIF	358
IFS0	414
IFS2	415
IFS3	416
IFSR0	146, 248
IFSR1	147, 249
IIO0IC to IIO11IC	137
IIO0IE to IIO11IE	151
IIO0IR to IIO11IR	150
INT Instruction Interrupt	128

INT0IC to INT8IC	138
INTB	25
Interrupt Control Register	137
Interrupt Enable Flag	26
Interrupt request level	138
Interrupt Response Time	142
Interrupt Sequence	141
Interrupt Stack Pointer	25
Interrupt Types	127
Interrupt Vector Table Base Register	25
INVC0	217
INVC1	218
IOBC	219
IPL	26, 136
ISP	25

K

KUPIC	137
-------------	-----

L

Low Voltage Detection Interrupt	63, 129
Low Voltage Detector	60
LVDC	61

M

Maskable Interrupt	127
MOD	174

N

NMI (Non Maskable Interrupt)	129
Non-maskable Interrupt	127

O

O Flag	26
ONSF	188
Oscillator Stop Detection Interrupt	129
Overflow Flag	26
Overflow Interrupt	128

P

P0 to P15	181
P0_0S to P0_7S	396
P10_0S to P10_7S	407
P1_0S to P1_7S	397
P11_0S to P11_4S	408
P12_0S to P12_7S	409

P13_0S to P13_7S	410
P14_3S to P14_6S	411
P15_0S to P15_7S	412
P2_0S to P2_7S	398
P3_0S to P3_7S	399
P4_0S to P4_7S	400
P5_0S to P5_7S	401
P6_0S to P6_7S	402
P7_0S to P7_7S	403
P8_0S to P8_4S, P8_6S, P8_7S	404
P9_0S to P9_7S (144-pin package)	405
P9_3S to P9_7S (100-pin package)	406
PBC	100
PC	25
PCR	420
PD0 to PD15	394
Peripheral Interrupt	129
PLC0	79
PLC1	80
PM0	66
PM2	75
PM3	76
PRCR	124
PRCR2	125
PRCR3	125
Processor Interrupt Priority Level	26, 136
Program Counter	25
PRR	126
PUR0	417
PUR1	418
PUR2	418
PUR3	419
PUR4	419

R

R2R0	25
R3R1	25
R6R4	25
R7R5	25
Register Bank Select Flag	26
Register Saving	143
RIPL1, RIPL2	140, 171
RND	26

S

S Flag	25
S0RIC to S8RIC	137
S0TIC to S8TIC	137
Save Flag Register	27
Save PC Register	27
SB	25

Sign Flag	25
Single-step Interrupt	129
Software Interrupt	128
SP	25
Special Interrupt	129
Stack Pointer	25
Stack Pointer Select Flag	26
Static Base Register	25
SVF	27
SVP	27

T

TA0 to TA4	185
TA0IC to TA4IC	137
TA0MR to TA4MR	186, 192, 195, 198, 200
TA1, TA2, TA4, TA11, TA21, TA41	225
TA1MR, TA2MR, TA4MR	226
TABSR	186, 204, 227
TB0 to TB5	203
TB0IC to TB5IC	137
TB0MR to TB5MR	203, 206, 208, 210
TB2	223
TB2MR	223
TB2SC	224
TBSR	204
TCSPR	74, 190
TRGSR	189, 227

U

U Flag	26
U0BRG to U8BRG	245
U0C0 to U6C0	238
U0C1 to U6C1	240
U0MR to U6MR	236
U0RB to U6RB	246
U0SMR to U6SMR	242
U0SMR2 to U6SMR2	243
U0SMR3 to U6SMR3	244
U0SMR4 to U6SMR4	245
U0TB to U8TB	246
U78CON	241
U7C0, U8C0	239
U7C1, U8C1	240
U7MR, U8MR	237
U7RB, U8RB	247
UDF	187
Undefined Instruction Interrupt	128
User Stack Pointer	25
USP	25

V

VCT	27
Vector Register	27
VRCR	58

W

Watchdog Timer Interrupt	129
WDC	154
WDTS	154

X

X0R to X15R	311
XYC	311

Y

Y0R to Y15R	312
-------------------	-----

Z

Z Flag	25
Zero Flag	25

Revision History	R32C/116 Group User's Manual: Hardware
------------------	--

Rev.	Date	Description	
		Page	Summary
0.62	Apr 08, 2009	—	Initial release
1.00	Nov 24, 2009	—	Second edition released
		—	<p>This manual in general</p> <ul style="list-style-type: none"> • Changed the following expressions: “start/stop condition”, to “start condition/stop condition” (under Chapters 4, 11, 13, 18, and 24); “Pins/ports/bits/registers xxx, xxx, and xxx are provided in the xx-pin package”, to “Pins/ports/bits/registers xxx, xxx, and xxx are available in the xx-pin package” (under Chapters 5, 9, 15, 16, 19, 23, 25, and 27); “reset operation”, to “reset” (under Chapters 4, 7-9, 11, 12, 24, and 26) • Modified the following descriptions: “multimaster I²C-bus interface”, to “multi-master I²C-bus interface” (under Chapters 1 and 25); “This register should be rewritten after (the xxx bit in) the xxx register is set to 1/AAh/00b ((re)write enabled).”, to “Set (the xxx bit in) the xxx register to 1/AAh/00b (write enabled) before rewriting this register.” (under Chapters 6, 8, 9, 13, 18, 24, and 26)
		—	<p>About This Manual</p> <ul style="list-style-type: none"> • Corrected typos “Hardware Manual” and “characteristics)” in 1. Purpose and Target User, to “Hardware” and “characteristics”, respectively • Made major text modifications to 2. Numbers and Symbols • Revised the illustration in 3. Registers
		1 2, 4 3, 5 5 6 9, 14	<p>Chapter 1. Overview</p> <ul style="list-style-type: none"> • Modified description for 1.1.1 • Modified description for “External Bus Expansion” in Tables 1.1 and 1.3; Moved this unit below “Clock” • Modified description for “Flash memory” in Tables 1.2 and 1.4 • Modified the position of note symbol (1) in Table 1.4 • Completed all “under development” products in Table 1.5 • Corrected a typo “R5_3” for pin No. 62 in Figure 1.3 and for pin No. 41 in Figure 1.4, to “P5_3”
		25	<p>Chapter 2. CPU</p> <ul style="list-style-type: none"> • Modified the second sentence of 2.1.8.8 descriptively
		28 37 38	<p>Chapter 4. SFRs</p> <ul style="list-style-type: none"> • Changed hexadecimal format of reset values for registers CCR and FMCR in Table 4.1, to binary • Changed reset values “XXXX XXXXb” and “XXXX 000Xb” for registers U7RB and U8RB in Table 4.10, to “XXXXh” • Changed expression of register name “Xi Register Yi Register” (i = 0 to 15) and register symbol “XiR, YiR” in Table 4.11, to “Xi Register/ Yi Register” and “XiR/YiR”, respectively
		57	<p>Chapter 5. Resets</p> <ul style="list-style-type: none"> • Corrected a typo “pultiple” in line 2 of 5.4, to “multiple”

Revision History	R32C/116 Group User's Manual: Hardware
------------------	--

Rev.	Date	Description	
		Page	Summary
		—	Chapter 6. Power Management <ul style="list-style-type: none"> • Made minor text modifications to this chapter
		—	Chapter 7. Processor Mode <ul style="list-style-type: none"> • Made minor text modification to this chapter
		— 79 79, 80 80, 83, 84 87-89 91 93 95	Chapter 8. Clock <ul style="list-style-type: none"> • Made minor text modifications to this chapter • Added "in the PLC1 register" to "SEO bit" in Figure 8.13 • Added description to Note 1 for registers PLC0 and PLC1 in Figures 8.14 and 8.15, respectively • Deleted description associated with frequency from line 14 below Figure 8.15, line 2 of 8.3, and line 2 of 8.4 • Added description for the following bits: BCS, CM04, CM05, CM10, CM20, CM30, and CM31, to Figures 8.17 to 8.19 • Added description for procedure (6) to 8.7.2.2 • Added I²C-bus interface interrupt and I²C-bus line interrupt to Table 8.6 • Moved previous Table 8.7 with one sentence above the table to 8.7.3.3 as Table 8.8 • Added I²C-bus line interrupt to Table 8.8
		— 98 99 102 120	Chapter 9. Bus <ul style="list-style-type: none"> • Made minor text modifications to this chapter • Deleted description for frequency and Note 1 in Figure 9.1; • Modified description for peripheral data bus "16-bit", to "16-/32-bit" • Modified peripheral bus width in line 1 of 9.2, from "16-bit width" to "16-/32-bit width" • Deleted description for 00b of PRD4 to PRD0 and PWR4 to PWR0 in Figure 9.2 • Modified description for setting the P5_7B bit to 0 in Figure 9.5: "Output RDY from P5_7", to "RDY input pin" • Deleted "(i = 0 to 3)" from Figure 9.17
		— 123 124	Chapter 10. Protection <ul style="list-style-type: none"> • Made minor text modifications to this chapter • Added "I2CMR" as a protected register for PRC1 bit, to Table 10.1 and Figure 10.1; Changed the order of registers for PRC1 and PRC2 • Deleted "(i = 0 to 7)" from the title of Table 10.2
		— 131-134 132 144 146 148	Chapter 11. Interrupts <ul style="list-style-type: none"> • Made minor text modifications to this chapter • Added details to "Reference" in Tables 11.2 to 11.5 • Changed expression "Multi-master I²C-bus interface" in Note 3 of Table 11.3 to "I²C-bus interface" • Modified "Bits RLVL02 to RLVL00" and "Bits RLVL12 to RLVL10" in Figure 11.8, to "Bits RLVL2 to RLVL0 in the RIPL1 register" and "Bits RLVL2 to RLVL0 in the RIPL2 register", respectively • Modified Note 1 for 11.11 descriptively • Moved "(i = 0 to 11)" in Figure 11.12 to the title

Revision History	R32C/116 Group User's Manual: Hardware
------------------	--

Rev.	Date	Description	
		Page	Summary
		149, 150	<ul style="list-style-type: none"> • Modified the following register names: “Intelligent I/O Interrupt Request Register” in Figure 11.13, and “Intelligent I/O Interrupt Enable Register” in Figure 11.14, to “Intelligent I/O Interrupt Request Register i (i = 0 to 11)”, and “Intelligent I/O Interrupt Enable Register i (i = 0 to 11)”, respectively • Changed variables “i”s, “j”s, and “k”s for description of bits in Figures 11.13 and 11.14, to “x”s, “y”s, and “z”s, respectively; Added expression “channel”, to descriptions for BTxR, TMxyR, POxyR, IEzR, BTxE, TMxyE, POxyE, and IEzE
		—	<p>Chapter 12. Watchdog Timer</p> <ul style="list-style-type: none"> • Revised this chapter entirely • Modified description “bus clock”s, to “peripheral bus clock”s
		—	<p>Chapter 13. DMAC</p> <ul style="list-style-type: none"> • Changed the following principle expressions: “transfer unit” to “transfer size”, “destination address” to “addressing mode”, “fixed” to “non-incrementing addressing”, “forward” to “incrementing addressing”
		156	<ul style="list-style-type: none"> • Modified the following description: “registers DMiSL and DMiSL2” in line 3 of the paragraph above Figure 13.2, to “the DMiSL register, and in bits DSEL24 to DSEL20 in the DMiSL2 register”
		158	<ul style="list-style-type: none"> • Changed the following expressions in Table 13.2: “Multi-master I²C-bus interface interrupt” to “I²C-bus interface interrupt”, “Multi-master I²C-bus line interrupt” to “I²C-bus line interrupt”, and “Multi-master I²C-bus interface” in Note 4 to “I²C-bus interface”
		159	<ul style="list-style-type: none"> • Modified description “the INTiIC register, IFSR0 register)” in Note 1 of Table 13.3, to “the INTiIC register and the IFSR1 register)”
		160	<ul style="list-style-type: none"> • Changed bit names USAi and UDAi for DMDi register in Figure 13.4 and their function descriptively • Deleted the second sentence of Note 2 for DMDi register in Figure 13.4; Added Note 3 • Modified description for Note 2 in Figure 13.5; Deleted Note 3
		168	<ul style="list-style-type: none"> • Modified description “channel i” in line 1 of the first bullet point of 13.4.1, to “the DMDi register”; Added one sentence to the same bullet point; Deleted whole description of the second and third bullet points; Added two new paragraphs
		—	<p>Chapter 14. DMAC II</p> <ul style="list-style-type: none"> • Revised this chapter entirely • Changed the following principle expressions: “transfer data” to “transfer type”, “transfer data unit” to “transfer size”, “transfer space” to “transfer memory space”, “transfer direction” to “addressing mode”, “fixed address” to “non-incrementing/constant address”, “forward address” to “incrementing address”, “end-of-transfer interrupt” to “DMA II transfer complete interrupt”, “transfer source address” to “source addressing”, and “transfer destination address” to “destination addressing”
		169	<ul style="list-style-type: none"> • Corrected a typo “64 Kbyte-space” in Table 14.1, to “64-Mbyte space”

Revision History	R32C/116 Group User's Manual: Hardware
------------------	--

Rev.	Date	Description	
		Page	Summary
		169	<ul style="list-style-type: none"> Modified description "The relocatable vector table" in the fourth bullet point of 14.1, to "The relocatable vector"
		173	<ul style="list-style-type: none"> Modified description for MOD in Figure 14.3; Divided the figure into two according to the MULT bit setting; Modified function of b14 to b8 from "No register bits", to "Reserved"
		174	<ul style="list-style-type: none"> Moved and modified description below previous Figure 14.5, to lines 7 to 10 of 14.2
		176	<ul style="list-style-type: none"> Modified description "CADR1 to CADR0" in Figure 14.4, to "CADR"; Changed "(1)", "(2)", and "(3)", to "(a)", "(b)", and "(c)", respectively
		177	<ul style="list-style-type: none"> Modified description "IADR1 and IADR0" in line 2 of 14.6 (previous 14.4.5), to "IADR" Moved a sentence from previous 14.5, to lines 5 and 6 of 14.6
			Chapter 16. Timers
		181	<ul style="list-style-type: none"> Corrected the following typos: "TTA0TGL" and "TAiGH and TAiGL" in Figure 16.1, to "TA0TGL" and "TAiTGH and TAIiGL", respectively
		183	<ul style="list-style-type: none"> Corrected a typo "TBiS bit" in Figure 16.3, to "TAiS"
		198	<ul style="list-style-type: none"> Corrected a typo "FEh" as value of m for "8-bit PWM" in Table 16.5, to "FFh"
		199	<ul style="list-style-type: none"> Modified reset value for TAIiMR register in Figure 16.16 from "0000 000b" to "0000 0000b"
		201	<ul style="list-style-type: none"> Changed expression "TBiS bit" in Figure 16.19, to "TBiS"
		202	<ul style="list-style-type: none"> Changed description for Note 1 of TBiMR in Figure 16.21 descriptively
		213	<ul style="list-style-type: none"> Deleted "(j = 0 to 5)" from the eighth bullet point of 16.3.3.2
			Chapter 17. Three-phase Motor Control Timers
		—	<ul style="list-style-type: none"> Made minor text modifications to the this chapter
		215	<ul style="list-style-type: none"> Added description "P3_2 to P3_7" to paragraph below "Inverse control" unit in Figure 17.1
		216	<ul style="list-style-type: none"> Modified the expression of Note 8 for INVC0 in Figure 17.2 descriptively
		222	<ul style="list-style-type: none"> Modified reset value for TB2MR in Figure 17.8
		229	<ul style="list-style-type: none"> Corrected a typo "TA4-1 register" in Figure 17.17, to "TA41 register"
			Chapter 18. Serial Interface
		—	<ul style="list-style-type: none"> Made minor text modifications to the this chapter
		236	<ul style="list-style-type: none"> Modified expression "7 (, 8, and 9)-bit transfer data" for "Function" of UiMR register in Figure 18.4, to "7(, 8, and 9)-bit character length"
		242	<ul style="list-style-type: none"> Modified "SCL pin" for SWC bit of UiSMR2 in Figure 18.11, to "SCLi pin"
		243	<ul style="list-style-type: none"> Modified description "To set the SS" in Note 2 for UiSMR3 register in Figure 18.12, to "To use the SS function"; Corrected a typo "UiCO register" in Note 2, to "UiC0 register"
		244	<ul style="list-style-type: none"> Modified description for the SWC9 bit of UiSMR4 in Figure 18.13
		245	<ul style="list-style-type: none"> Deleted description "and read as undefined value" from "Function" of b15-b9 for UiTB register in Figure 18.15

Revision History	R32C/116 Group User's Manual: Hardware
------------------	--

Rev.	Date	Description	
		Page	Summary
		249	<ul style="list-style-type: none"> • Modified description “(i = 0 to 6)” for “Transmit/receive clock” in Table 18.2, to “(i = 0 to 8)”
		255	<ul style="list-style-type: none"> • Deleted a “)” from description for Note 1 in Figure 18.23
		257	<ul style="list-style-type: none"> • Modified expressions “1 stop bit” and “2 stop bits” in the first bullet point of “Error detection” in Table 18.5, to “1 stop bit length” and “2 stop bit length”, descriptively
		263	<ul style="list-style-type: none"> • Deleted “(i = 0 to 8)” from “B” of 18.2.2
		269	<ul style="list-style-type: none"> • Modified the following descriptions in Table 18.11: “UART transmit/UART receive interrupt” in “IICM2 = 1”, to “Transmit/receive interrupt”; “the Pi_jS register (i, j = 0 to 7) if the I/O port is selected” in “Default output value at the SDAi pin”, to “the Port Pi register (i = 0 to 7) if the I/O port is selected by output function select registers)”
		271	<ul style="list-style-type: none"> • Modified description “UART transmit/UART receive interrupt” in (3) of Figure 18.32, to “transmit/receive interrupt”
		279	<ul style="list-style-type: none"> • Corrected a typo “SS pin” in title of Figure 18.37, to “SSi pin”
		282	<ul style="list-style-type: none"> • Deleted whole description from the third bullet point of 18.5.2.2
		—	<p>Chapter 19. A/D Converter</p> <ul style="list-style-type: none"> • Made minor text modifications to the this chapter
		288, 290	<ul style="list-style-type: none"> • Modified Notes 2 to 4 for AD0CON2 in Figure 19.4 and AD0CON4 in Figure 19.6 descriptively
		298	<ul style="list-style-type: none"> • Modified description “AD0j register” in line 3 of 19.2.1, to “AD0i register”
		303	<ul style="list-style-type: none"> • Deleted “(j = 0 to 7)” from the eighth bullet point of 19.3.2
		—	<p>Chapter 20. X-Y Conversion</p> <ul style="list-style-type: none"> • Made minor text modifications to the this chapter
		—	<p>Chapter 23. Intelligent I/O</p> <ul style="list-style-type: none"> • Made minor text modifications to the this chapter
		314-316	<ul style="list-style-type: none"> • Moved “(j = 0 to 7)” in Figures 23.1 to 23.3 to respective figure titles
		314	<ul style="list-style-type: none"> • Added description for BT0R to Figure 23.1
		315	<ul style="list-style-type: none"> • Added description for BT1R to Figure 23.2
		316	<ul style="list-style-type: none"> • Added description for bits BT2R, PO2jR, IE0R to IE2R, SIO2TR, and SIO2RR to Figure 23.3; Deleted note symbol “(3)”
		334	<ul style="list-style-type: none"> • Changed “IIOi_j pin function” in Table 23.4, to “IIOi_j input pin function”; Moved “(j = 0 to 7)” for “Trigger input polarity”, to the table title
		335	<ul style="list-style-type: none"> • Moved “(j = 0 to 7; k = 6, 7)” below Table 23.5 to the title
		335, 336	<ul style="list-style-type: none"> • Moved “(j = 0 to 7)” in Figures 23.22 and 23.23 to the titles
		337	<ul style="list-style-type: none"> • Moved “(j = 6, 7)” in Figure 23.24 to the title
		338	<ul style="list-style-type: none"> • Moved “(j = 0 to 7)” below Table 23.6 to the title
		339, 341, 343, 344	<ul style="list-style-type: none"> • Added “(or OUTC2_j pin for Group 2)” after “IIOi_j pin”, to respective line 1 of 23.3.1, 23.3.2, and 23.3.3 and description for “Specification” in Tables 23.7 to 23.9
		339, 341, 344	<ul style="list-style-type: none"> • Modified “IIOi_j pin function” in “Item” in Table 23.7, and “IIOi_j pin function (output)” in “Item” in Tables 23.8 and 23.9, to “IIOi_j output pin (or OUTC2_j pin for Group 2) function”

Revision History	R32C/116 Group User's Manual: Hardware
------------------	--

Rev.	Date	Description	
		Page	Summary
		346	<ul style="list-style-type: none"> • Modified description “G2PO0 register” for “Output waveform” in Table 23.10, to “G2POj register (j = 0 to 7)”
		347	<ul style="list-style-type: none"> • Corrected following typos: “fBTi” in Figure 23.28, to “fBT2”;
		349	<ul style="list-style-type: none"> • Added description “in the G2RTP register” to “RTPj bit” in Figure 23.30
		—	<p>Chapter 24. Multi-master I²C-bus Interface</p> <ul style="list-style-type: none"> • Made minor text modifications to the this chapter
		368	<ul style="list-style-type: none"> • Modified description “SCL/SDA Interrupt”s for bits SIP and SIS in Figure 24.8, to “I²Cbus-line Interrupt”
		369	<ul style="list-style-type: none"> • Modified description “(b2-b3)” for I2CCR1 register in Figure 24.9, to “(b3-b2)”
		372	<ul style="list-style-type: none"> • Modified description “(b5)” for I2CCR2 register in Figure 24.11, to “(b6)”
		378	<ul style="list-style-type: none"> • Modified description “b2 b1 b0” for bits CLK2 to CLK0 in Figure 24.14, to “b3 b2 b1” • Modified description below Figure 24.14 and 24.1.9.1
		—	<p>Chapter 25. I/O Pins</p> <ul style="list-style-type: none"> • Made minor text modifications to the this chapter
		393	<ul style="list-style-type: none"> • Added “b” to binary form in Table 25.1
		395	<ul style="list-style-type: none"> • Changed “IIO0_i output” and “IIO1_i output” in “Function” of P1_iS register in Figure 25.4, to “IIO0 output” and “IIO1 output”, respectively
		400, 406	<ul style="list-style-type: none"> • Modified description “b7-b3” for P6_iS in Figure 25.9 and P11_iS in Figure 25.15, to “b7”
		403	<ul style="list-style-type: none"> • Modified bit symbol for b6 of registers P9_3S to P9_0S in Figure 25.12, to be exclusively as NOD
		406	<ul style="list-style-type: none"> • Modified the explanation about the usage of an N-channel open drain output in the paragraphs below Figure 25.15
		412	<ul style="list-style-type: none"> • Modified expression “TAiIN input” in Note 1 for IFS0 in Figure 25.20, to “TAiIN”
		414	<ul style="list-style-type: none"> • Modified description for IFS30 and IFS31 in Figure 25.22 from “port P9”, to “port P6/port P9”
		—	<p>Chapter 26. Flash Memory</p> <ul style="list-style-type: none"> • Revised this chapter entirely • Changed expressions “write” and “rewrite”, to “program” when this word is used in combination with “erase”
		422	<ul style="list-style-type: none"> • Revised Table 26.1
		432	<ul style="list-style-type: none"> • Corrected a typo “(b7-4)” for FMR1 register in Figure 26.8, to “(b7-b4)”
		434	<ul style="list-style-type: none"> • Corrected address and “Function” of BP15 bit in Figure 26.12
		441	<ul style="list-style-type: none"> • Corrected a typo “b5-0” in Tables 26.15 and 26.16, to “b5-b0”
		448	<ul style="list-style-type: none"> • Modified expression “Status/Error” in Table 26.17, to “Error”
		453	<ul style="list-style-type: none"> • Modified description for the third bullet point of EW1 mode in 26.6.5
		—	<p>Chapter 27. Electrical Characteristics</p> <ul style="list-style-type: none"> • Made minor text modifications to the this chapter

Revision History	R32C/116 Group User's Manual: Hardware
------------------	--

Rev.	Date	Description	
		Page	Summary
		458 463 473, 486 474, 477, 487, 490 476, 489 477, 490 483 495	<ul style="list-style-type: none"> • Corrected a typo “pots” in line 2 of Note 2 for Table 27.4, to “ports” • Changed the order of description of trec(STOP) and trec(WAIT) in Table 27.13 and Figure 27.4 • Changed the minimum value for “$t_{w(ADH)}$” in Tables 27.31 and 27.57 from “$2/\phi_{AD}$”, to “$3/\phi_{AD}$” • Newly Added characteristics for multi-master I²C-bus to Tables 27.34, 27.39, 27.40, 27.60, 27.65, and 27.66 • Modified “Characteristics” for $t_{SU(S-ALE)}$ in Tables 27.36 and 27.62, from “Chip-select hold time for ALE” to “Chip-select setup time for ALE” • Modified “Characteristics” for $t_{h(C-Q)}$ in Tables 27.37 and 27.63, from “TXDi hold time” to “TXDi output hold time” • Added “Measurement condition” to Tables 27.38 and 27.64 • Corrected typos “$t_{w(H)}$”, “$t_{w(L)}$”, “t_r”, and “t_f” in Table 27.46, to “$t_{w(XH)}$”, “$t_{w(XL)}$”, “$t_{r(X)}$”, and “$t_{f(X)}$”, respectively • Newly Added timing diagram for multi-master I²C-bus to Figure 27.11
		—	Chapter 28. Usage Notes
		502	<ul style="list-style-type: none"> • Made minor text modifications to the this chapter • Modified description “channel i” in line 1 of the first bullet point of 28.6.1, to “the DMDi register”; Added one sentence to the same bullet point; Deleted whole description of the second and third bullet points; Added two new paragraphs
		505	<ul style="list-style-type: none"> • Deleted “(j = 0 to 5)” from the eighth bullet point of 28.7.3.2
		507	<ul style="list-style-type: none"> • Deleted whole description from the third bullet point of 28.9.2.2
		509	<ul style="list-style-type: none"> • Deleted “(i = 0 to 7)” from the eighth bullet point of 28.10.2
		510	<ul style="list-style-type: none"> • Modified description for the third bullet point of EW1 mode in 28.11.5
1.10	Sep 08, 2010	—	Third edition released
		—	This manual in general <ul style="list-style-type: none"> • Applied new Renesas templates and formats to the manual • Changed company name to “Renesas Electronics Corporation” and changed related descriptions due to business merger of Renesas Technology Corporation and NEC Electronics Corporation (under Chapters 1, 7, 18, 23, and 27) • Added specifications of 64 MHz version • Modified expressions “version N”, “version D”, and “version P” to “N version”, “D version”, and “P version”, respectively (under Chapters 1 and 27)
		—	Chapter 1. Overview
		3, 5	<ul style="list-style-type: none"> • Modified wording and enhanced description in this chapter
		9	<ul style="list-style-type: none"> • Deleted Note 1 from Tables 1.2 and 1.4
		19	<ul style="list-style-type: none"> • Deleted Note 4 from Figure 1.2 • Modified expression “fC” in description for “Clock output” in Table 1.14 to “low speed clocks”

Revision History	R32C/116 Group User's Manual: Hardware
------------------	--

Rev.	Date	Description	
		Page	Summary
		23	<ul style="list-style-type: none"> • Modified the following descriptions in “Pin names” in Table 1.18: “P14_1” to “P14_1, P14_3”, and “P14_3 to P14_6” to “P14_4 to P14_6”
		30, 53	<p>Chapter 4. SFRs</p> <ul style="list-style-type: none"> • Modified expressions “I²C-Bus” and “I²C Bus” in Tables 4.2 and 4.25 to “I²C-bus”
		34, 37	<ul style="list-style-type: none"> • Changed register name “Group i Timer Measurement Prescaler Register” in Tables 4.6 and 4.9 to “Group i Time Measurement Prescaler Register”
		36	<ul style="list-style-type: none"> • Modified expression “IE Bus” in Table 4.8 to “IEBus”
		39	<ul style="list-style-type: none"> • Modified expression “XY Control Register” in Table 4.11 to “X-Y Control Register”
		41	<ul style="list-style-type: none"> • Changed register name “UART2 Transmission/Receive Mode Register” in Table 4.13 to “UART2 Transmit/Receive Mode Register”; Changed hexadecimal format of reset values for registers TABSR, ONSF, and TRGSR to binary
		43	<ul style="list-style-type: none"> • Modified reset value “X00X X000b” of the AD0CON2 register in Table 4.15 to “XX0X X000b”
		52	<ul style="list-style-type: none"> • Changed register name “External Interrupt Source Select Register i” in Table 4.24 to “External Interrupt Request Source Select Register i”
		53	<ul style="list-style-type: none"> • Modified reset values for registers I2CSSCR, I2CCR1, I2CCR2, I2CSR, and I2CMR in Table 4.25; Changed register name “I²C Bus START Condition/STOP Condition Control Register” to “I²C-bus START and STOP Conditions Control Register”
		54	<p>Chapter 5. Resets</p> <ul style="list-style-type: none"> • Changed expression “operating level” in (2) of B in 5.1 to “operating voltage”
		—	<p>Chapter 6. Power Management</p> <ul style="list-style-type: none"> • Made minor text modifications to this chapter
		—	<p>Chapter 7. Processor Mode</p> <ul style="list-style-type: none"> • Modified wording and enhanced description in this chapter
		66	<ul style="list-style-type: none"> • Corrected address “44044h” of PM0 in Figure 7.1 to “40044h”
		67	<ul style="list-style-type: none"> • Deleted “00008000h” and “FFF80000h” from Figure 7.2
		—	<p>Chapter 8. Clock Generator</p> <ul style="list-style-type: none"> • Made minor text modifications to this chapter
		69	<ul style="list-style-type: none"> • Modified expression “fC” for CLKOUT in Figure 8.1 to “Low speed clock”; Modified “low speed clock” associated items
		70	<ul style="list-style-type: none"> • Deleted the last sentence from Note 2 in Figure 8.2; Modified Note 6
		71	<ul style="list-style-type: none"> • Modified expression “fC” in “Function” of bits CM01 and CM00 in Figure 8.3 to “a low speed clock”; Added Note 8
		72	<ul style="list-style-type: none"> • Modified bit name “PLL Clock Oscillator Stop Bit” in Figure 8.4 to “PLL Oscillator Stop Bit”; Added Note 4
		73	<ul style="list-style-type: none"> • Added description “and the BCS bit in the CCR register to 0 (PLL clock selected)” to Note 1 in Figure 8.6

Revision History	R32C/116 Group User's Manual: Hardware
------------------	--

Rev.	Date	Description	
		Page	Summary
		75	<ul style="list-style-type: none"> • Changed explanations for bits CM05 and CM10 in Note 3 of Figure 8.9; Added Note 5
		76	<ul style="list-style-type: none"> • Added the second sentence to Note 1 in Figure 8.10
		80	<ul style="list-style-type: none"> • Modified the following descriptions for the SEO bit in Figure 8.15: “Self-Oscillation Mode Setting Bit” to “Self-Oscillating Setting Bit”, “PLL mode” to “PLL lock-in”, and “Self-oscillation mode” to “Self-oscillating”
		83	<ul style="list-style-type: none"> • Added description “the main clock oscillator should be stopped from resuming (set the CM05 bit in the CM0 register to 1) or” to the second paragraph in 8.2.1
		85	<ul style="list-style-type: none"> • Modified expressions “fC” in 8.6 and “fC” in Tables 8.3 and 8.4 to “low speed clocks” and “low speed clock”, respectively
		86	<ul style="list-style-type: none"> • Revised the entire paragraph of 8.7
		87	<ul style="list-style-type: none"> • Added explanation for each mode to (1) to (5) in 8.7.1; Changed the following expressions: “peripheral clock source” to “peripheral clocks”, and “The PLL clock or the main clock” to “fAD, f1, f8, f32, and f2n”
		88	<ul style="list-style-type: none"> • Added description for Figures 8.17 to 8.19 to 8.7.1
		89-91	<ul style="list-style-type: none"> • Moved Figures 8.17 to 8.19 from 8.7 to 8.7.1; Explained “main clock stop” and “CM05 = 1” separately; Added explanation for the SEO bit
		89	<ul style="list-style-type: none"> • Corrected a typo “f(XPLL)” in the third row of Figure 8.17 to “f(PLL)”; Deleted Note 4
		90	<ul style="list-style-type: none"> • Deleted Note 3 in Figure 8.18
		91	<ul style="list-style-type: none"> • Corrected “CM31 = 1” in the first row and “CM10 = 0” in the second row of Figure 8.19 to “CM31 = 0” and “CM10 = 1”, respectively; Deleted Note 3
		92	<ul style="list-style-type: none"> • Changed expression “Before executing WAIT instruction” in 8.7.2.2 to “Steps before entering wait mode”; Changed steps before entering wait mode
		93, 96	<ul style="list-style-type: none"> • Modified expression “fC” in Tables 8.5 and 8.7 to “a low speed clock”
		93	<ul style="list-style-type: none"> • Modified description in 8.7.2.4
		94	<ul style="list-style-type: none"> • Added Note 1 to Table 8.6
		95	<ul style="list-style-type: none"> • Changed the first sentence in 8.7.3
		96	<ul style="list-style-type: none"> • Changed expression “Before entering stop mode” in 8.7.3.1 to “Steps before entering stop mode”; Changed steps before entering stop mode
		96	<ul style="list-style-type: none"> • Modified the first sentence in 8.7.3.3 • Added the usage condition for “External interrupt” to Table 8.8
		Chapter 9. Bus	
		103, 104	<ul style="list-style-type: none"> • Deleted Note 2 from Figures 9.4 to 9.6
		110	<ul style="list-style-type: none"> • Added EXMPX bit values to the bus format row in Table 9.2; Modified function of P4_0 to P4_3 for memory expansion mode to “I/O ports” only
		118	<ul style="list-style-type: none"> • Added period of address becoming undefined to “(1) 8-bit data bus” in Figure 9.15; Added Note 2

Revision History	R32C/116 Group User's Manual: Hardware
------------------	--

Rev.	Date	Description	
		Page	Summary
		—	Chapter 10. Protection <ul style="list-style-type: none"> • Modified subchapter titles
		— 145 150 152	Chapter 11. Interrupts <ul style="list-style-type: none"> • Made minor text modifications to this chapter • Deleted “Bits RLVL2 to RLVL0 in the RIPL2 register” and associated signal lines from Figure 11.8; Changed expression “DMAC II” to “DMA II transfer complete” • Changed description for b0 in Figure 11.13; Modified Note 3 • Revised the third bullet point of description in 11.14.3
		154	Chapter 12. Watchdog Timer <ul style="list-style-type: none"> • Added Note 1 to Figure 12.2
		— 169	Chapter 13. DMAC <ul style="list-style-type: none"> • Made minor text modifications to this chapter • Modified description “peripheral clocks” in the fourth bullet point of 13.4.1 to “peripheral bus clocks”
		175	Chapter 14. DMAC II <ul style="list-style-type: none"> • Modified the following addresses in 14.3.1: “001FFFFFFh” to “01FFFFFFh”, “00200000h” to “02000000h”, and “00000000h” to “FE000000h”
		— 183	Chapter 16. Timers <ul style="list-style-type: none"> • Made minor text modifications to this chapter • Separated signal for overflow or underflow from interrupt signal in Figure 16.2
		218 223 224 230 232	Chapter 17. Three-phase Motor Control Timers <ul style="list-style-type: none"> • Changed “Timer A” in the Function column of the INV13 bit in Figure 17.3 to “Timer A1” • Changed functions of bits MR2 and MR3 in Figure 17.8 • Changed function of the PWCON bit in Figure 17.9 • Modified explanation for the bit setting of Case 1 in Figure 17.17 • Changed the order of descriptions for bits INV02 and INV03 in 17.6.1 • Modified “overflow” in 17.6.2 to “underflow”
		— 237 245, 273 260 265, 266 283 284	Chapter 18. Serial Interface <ul style="list-style-type: none"> • Made minor text modifications to this chapter • Deleted “I²C mode” from “Function” of bits SMD2 to SMD0 in Figure 18.4 • Corrected typos “STARREQ” in Note 3 in Figure 18.13 and 18.3.2 to “STAREQ” • Modified “SUM0” in “Bits” of the UiRB register Table 18.7 to “SUM” • Changed expression “Transmit/receive clock” in Figures 18.29 and 18.30 to “CLKi” • Moved description in the fourth dash in 18.5.2.1 to the second dash • Added 18.5.4 “Reset Procedure on Communication Error”
		—	Chapter 19. A/D Converter <ul style="list-style-type: none"> • Made minor text modifications to this chapter

Revision History	R32C/116 Group User's Manual: Hardware
------------------	--

Rev.	Date	Description	
		Page	Summary
		—	<ul style="list-style-type: none"> • Changed expressions “A/D conversion result” and “A/D conversion results” to “A/D converted result” and “A/D converted results”, respectively
		291	<ul style="list-style-type: none"> • Changed Note 5 in Figure 19.5
		292	<ul style="list-style-type: none"> • Changed Notes 1, 3, and 4 in Figure 19.7
		293-299	<ul style="list-style-type: none"> • Changed description in “Specification” for “Start conditions” and “Reading of A/D converted result” in Tables 19.2 to 19.8
		305	<ul style="list-style-type: none"> • Modified description in the ninth bullet of 19.3.2
		308	<p>Chapter 21. CRC Calculator</p> <ul style="list-style-type: none"> • Corrected a typo “CRC_CCITT” in line 2 of 21. CRC Calculator to “CRC-CCITT”
		311, 312	<p>Chapter 22. X-Y Conversion</p> <ul style="list-style-type: none"> • Changed figure titles “XiR Register” and “YjR Register” for Figures 22.2 and 22.3 to “Registers X0R to X15R” and “Registers Y0R to Y15R”, respectively; Changed preposition “to” in between addresses to “-”
		—	<p>Chapter 23. Intelligent I/O</p> <ul style="list-style-type: none"> • Made minor text modifications to this chapter
		316, 317	<ul style="list-style-type: none"> • Modified descriptions “Request from the $\overline{\text{INT0}}$ pin” in Figure 23.1 and “Request from the $\overline{\text{INT1}}$ pin” in Figure 23.2 to “Request from the $\overline{\text{INT0}}$ pin or the $\overline{\text{INT1}}$ pin”
		318	<ul style="list-style-type: none"> • Corrected the following typos in Figure 23.3: “IE_IN” to “IEIN”, “IE_OUT” to “IEOUT”, “ISRxD2” to “ISRxD2”, and “ISTxD2” to “ISTxD2”
		321	<ul style="list-style-type: none"> • Changed expression “$\overline{\text{INTi}}$ pin” in Figure 23.6 to “$\overline{\text{INT0}}/\overline{\text{INT1}}$ pin”; Changed Note 3
		323	<ul style="list-style-type: none"> • Corrected a typo “bits BT0S to BT3S” in (2) of Note 1 in Figure 23.8 to “bits BT0S to BT2S”
		327	<ul style="list-style-type: none"> • Corrected a typo “ISTxD2” in Figure 23.13 to “ISTxD2”
		330	<ul style="list-style-type: none"> • Changed description in the second bullet of “Specification” for “Reset conditions” in Table 23.2
		331	<ul style="list-style-type: none"> • Changed expression “$\overline{\text{INTi}}$ pin” in Figure 23.18 to “$\overline{\text{INT0}}/\overline{\text{INT1}}$ pin”; Moved “i = 0 to 2” to the title
		333, 334	<ul style="list-style-type: none"> • Moved “(i = 0, 1)” to the title of Figures 23.19 and 23.20
		348	<ul style="list-style-type: none"> • Corrected a typo “00h to 3FFh” in Table 23.10 to “000h to 3FFh”
		354	<ul style="list-style-type: none"> • Deleted Note 1 from 23.4
		356	<ul style="list-style-type: none"> • Changed “ISTxD” and “ISRxD” in Figure 23.36 to “ISTxD2” and “ISRxD2”, respectively
		360	<ul style="list-style-type: none"> • Corrected a typo “ISR2” in Table 23.15 to “ISRxD2”
		—	<p>Chapter 24. Multi-master I²C-bus Interface</p> <ul style="list-style-type: none"> • Modified wording and enhanced description in this chapter • Modified expression “general call” to “general call address” • Modified expression “flag” to “bit” when it is used with bit symbols • Modified expressions “standard-mode” and “fast-mode” to “Standard-mode” and “Fast-mode”, respectively

Revision History	R32C/116 Group User's Manual: Hardware
------------------	--

Rev.	Date	Description	
		Page	Summary
		—	<ul style="list-style-type: none"> • Modified expression “set to” for the RST bit in the I2CCCR0 register to “written with” • Modified expressions “START condition and STOP condition” and “START condition or STOP condition” to “START and STOP conditions” and “START or STOP condition”, respectively
		362	<ul style="list-style-type: none"> • Modified description for “Timeout detector” in Table 24.1
		363	<ul style="list-style-type: none"> • Modified “Bus is busy detector” in Table 24.2 to “Bus busy detector”; Modified specifications of “Slave-address match detector” and “Arbitration lost detector”
		364	<ul style="list-style-type: none"> • Modified description in the Function column in Figure 24.2
		366	<ul style="list-style-type: none"> • Changed bit name “Transmit/Receive Bit Number Set Bit” in Figure 24.5 to “Transmit/Receive Bit Length Setting Bit”
		367	<ul style="list-style-type: none"> • Modified expression “slave address data” in line 2 of 24.1.3.3 to “slave address” • Modified expression “I²C reset signal” in Figure 24.6 to “I²C-bus interface reset signal”
		368	<ul style="list-style-type: none"> • Modified “ACKCLK bit” in line 2 of 24.1.4 to “ACKD bit” • Corrected descriptions “below 100 kHz” and “below 400 kHz” in Note 1 of Table 24.3 to “100 kHz or less” and “400 kHz or less”, respectively
		369	<ul style="list-style-type: none"> • Corrected a typo “φIIO” in line 2 of 24.1.4.2 to “φIIC” • Modified expressions “MSDA pin level” in line 4 of 24.1.4.3 and Table 24.4 and “MSDA Pin Levels” for table title of Table 24.4 to “MSDA pin state” and “MSDA Pin States”, respectively
		370	<ul style="list-style-type: none"> • Changed expressions “I²C Bus-line” in Figure 24.8 and “I²C bus line” in 24.1.5.2 and 24.1.5.3 to “I²C-bus line”
		371	<ul style="list-style-type: none"> • Moved “(2)” from “Function” to “Bit Name” in Figure 24.9; Changed expression “1-bit instruction” to “bit processing instruction” in Note 1; Switched Notes 2 and 3
		373	<ul style="list-style-type: none"> • Corrected a typo “SDO” in line 3 of 26.1.6.3 to “SDAO”
		374	<ul style="list-style-type: none"> • Changed symbol “/” in function description of bits ICK4 to ICK2 in Figure 24.11 to “divided-by-”
		375	<ul style="list-style-type: none"> • Modified setting value of TOSEL bit in 24.1.7.3
		376	<ul style="list-style-type: none"> • Moved “(1)” to “(3)” from “Function” to “Bit Name” in Figure 24.13; Added “(1)” to “Function”
		377	<ul style="list-style-type: none"> • Deleted explanation in parentheses in line 1 of 24.1.8.2 • Modified description in Line 3 and 4 of 24.1.8.4
		378	<ul style="list-style-type: none"> • Modified “R/W bit” in Line 6 of 24.1.8.7 to “R/W bit”
		379	<ul style="list-style-type: none"> • Modified description “lost byte of data” in the second bullet point of 24.1.8.8 to “corresponding byte”
		383	<ul style="list-style-type: none"> • Modified “(I²C-bus interface enabled)” in line 5 of the second paragraph below Figure 24.18 to “(I²C-bus interface disabled)”
		384, 385	<ul style="list-style-type: none"> • Modified expression “VIIC” in Figures 24.19 and 24.22 to “φIIC”
		385	<ul style="list-style-type: none"> • Modified expression “high period of MSCL” in lines 4 to 5 in the first paragraph of 24.5 to “high period of MSCL pin”

Revision History	R32C/116 Group User's Manual: Hardware
------------------	--

Rev.	Date	Description	
		Page	Summary
		386	<ul style="list-style-type: none"> • Changed “Standard Clock Mode” and “Fast Clock Mode” in Table 24.10 to “Standard-mode” and “Fast-mode”; Changed parameter “BBSY flag setting time” to “BBSY bit set/reset time”
		387	<ul style="list-style-type: none"> • Changed parameter “Successful receive interrupt” for I2CCR1 register in Table 24.12 to “Successful data receive interrupt”
		389	<ul style="list-style-type: none"> • Modified description “For (A) to (C) in the figure, see A to C” in 24.6.2 to “For (A) to (D) in the figure, see A to D”
		390	<ul style="list-style-type: none"> • Modified description for I2CCCR register in 24.7.1
		391	<ul style="list-style-type: none"> • Modified expression “Bits to be zero” in Figures 24.25 and 24.26 to “Bits to be reset”
		392	<ul style="list-style-type: none"> • Modified “TRX bit” in Figure 24.27 to “TRS bit”; Modified the following expressions: “Bits to be zero” to “Bits to be reset”, and “Bit to be zero” to “Bit to be set”; Modified description of TRS bit • Modified “By a program” in Figure 24.28 to “Software wait”
			Chapter 25. I/O Pins
		—	<ul style="list-style-type: none"> • Made minor text modifications to this chapter
		403	<ul style="list-style-type: none"> • Added “(MMI2C)” to line 2 below Figure 25.10
		406	<ul style="list-style-type: none"> • Modified reset value “0XXX X000b” of P9_3S in Figure 25.13 to “00XX X000b”; Modified description for b6 • Modified bit symbol “PD_9i” in line 4 of the third paragraph below Figure 25.13 to “PD9_i”
		409	<ul style="list-style-type: none"> • Modified reset values “0XXX X000b” of P12_0S to P12_3S in Figure 25.16 to “X0XX X000b”; Modified description for b7 to b3
		414	<ul style="list-style-type: none"> • Changed description “1: Port P7/port P9” in “Function” of the IFS01 bit in Figure 25.20 to “1: Port P9”
		418	<ul style="list-style-type: none"> • Corrected a typo “P9_1 to P9_3 Pull-Up Control Bit” in “Bit Name” of the PU26 bit in Figure 25.25 to “P9_0 to P9_3 Pull-Up Control Bit”
		419	<ul style="list-style-type: none"> • Corrected a typo “P14_1 to P14_3 Pull-Up Control Bit” in “Bit Name” of the PU26 bit in Figure 25.27 to “P14_1 and P14_3 Pull-Up Control Bit”
		421, 422	<ul style="list-style-type: none"> • Added description “P9_0, P9_2, and” to Note 3 of Tables 25.2 and 25.3
			Chapter 26. Flash Memory
		—	<ul style="list-style-type: none"> • Made minor text modifications to this chapter • Added forcible erase function and standard serial I/O mode disable function for high speed version (64 MHz version)
		426	<ul style="list-style-type: none"> • Deleted description “erase” from “ROM Code Protection” of “Operations to be protected” in Table 26.3; Added description “erase” to “ID Code Protection” of “Operations to be protected”; Deleted description “by using the serial programmer” from “ROM Code Protection” of “Protection deactivated by” • Deleted description “use the serial programmer to” from the second paragraph of 26.2.2
		427	<ul style="list-style-type: none"> • Corrected a typo “FFFFFFE8h” in line 9 of 26.2.3 to “FFFFFFE8h”

Revision History	R32C/116 Group User's Manual: Hardware
------------------	--

Rev.	Date	Description	
		Page	Summary
		431	<ul style="list-style-type: none"> • Changed the following descriptions in Table 26.7: “the program or the block erase command” to “the program command or the block erase command”, and “read status register command” and “ready status register command” to “enter read status register mode” • Modified figure number “Figure 26.11” in the last line below Table 26.7 to “Figure 26.12”
		439, 441	<ul style="list-style-type: none"> • Changed the following descriptions in Figures 26.13 and 26.14: “$\overline{CS0}$” and “$\overline{CS0}$ to $\overline{CS3}$” to “Chip select”, and “A23 to A0, $\overline{BC0}$ to $\overline{BC3}$” to “Address”
		—	<p>Chapter 27. Electrical Characteristics</p> <ul style="list-style-type: none"> • Made minor text modifications to this chapter • Added electrical characteristics of 64 MHz version • Changed expression “input clock period” to “input clock cycle time”
		467	<ul style="list-style-type: none"> • Changed the following descriptions in Figure 27.5: “$\overline{CS0}$” and “$\overline{CS0}$ to $\overline{CS3}$” to “Chip select”, and “A23 to A0, $\overline{BC0}$ to $\overline{BC3}$” to “Address”
		468, 469, 481, 482 471, 484	<ul style="list-style-type: none"> • Changed values of $f_{(CPU)}$ under the titles of Tables 27.15, 27.16, 27.41, and 27.42 • Changed values of $f_{(BCLK)}$ under the titles of Tables 27.18 and 27.44
		—	<p>Chapter 28. Usage Notes</p> <ul style="list-style-type: none"> • Made minor text modifications to this chapter
		504	<ul style="list-style-type: none"> • Revised the third bullet point of description in 29.5.3
		509	<ul style="list-style-type: none"> • Changed the order of descriptions for bits INV02 and INV03 in 28.8.1 • Modified “overflow” in 28.8.2 to “underflow”
		510	<ul style="list-style-type: none"> • Moved description in the fourth dash in 28.9.2.1 to the second dash
		511	<ul style="list-style-type: none"> • Added 28.9.4 “Reset Procedure on Communication Error”
		513	<ul style="list-style-type: none"> • Modified description in the ninth bullet of 28.10.2
		—	<p>Appendix 1. Package Dimensions</p> <ul style="list-style-type: none"> • Added a seating plane to the drawing of package dimension
		516	
1.20	Feb 18, 2013	—	Fourth edition released
		—	<p>This manual in general</p> <ul style="list-style-type: none"> • Changed document number “REJ09B0532-0110” to “R01UH0210EJ0120” • Modified description “restart condition” to “repeated START condition” (under Chapters 18, 27, and 28)
		—	<p>Chapter 1. Overview</p> <ul style="list-style-type: none"> • Modified wording and enhanced description in this chapter
		2, 4	<ul style="list-style-type: none"> • Modified expressions “calculation transfer” and “chained transfer” in Tables 1.1 and 1.3 to “calculation result transfer” and “chain transfer”, respectively
		7	<ul style="list-style-type: none"> • Completed all “under development” phases in Table 1.6
		10, 15	<ul style="list-style-type: none"> • Changed order of signals in Figures 1.3 and 1.4
		11, 16	<ul style="list-style-type: none"> • Changed order of timer pins “TB5IN/TA0IN” in Tables 1.7 and 1.11 to “TA0IN/TB5IN”
		23	<ul style="list-style-type: none"> • Modified Note 1 of Table 1.18

Revision History	R32C/116 Group User's Manual: Hardware
------------------	--

Rev.	Date	Description	
		Page	Summary
		—	Chapter 2. CPU
		25	<ul style="list-style-type: none"> • Modified wording and enhanced description in this chapter • Corrected a typo "R3R0" in line 3 of 2.1.1 to "R3R1"
		—	Chapter 3. Memory
			<ul style="list-style-type: none"> • Modified wording and enhanced description in this chapter
		34, 35, 37	Chapter 4. SFRs
		41	<ul style="list-style-type: none"> • Changed hexadecimal format of reset values for registers G1BCR0, G2BCR0, and G0BCR0 in Tables 4.6, 4.7, and 4.9 to binary • Changed register name "Increment/Decrement Counting Select Register" in Table 4.13 to "Increment/Decrement Select Register"
		—	Chapter 5. Resets
			<ul style="list-style-type: none"> • Modified wording and enhanced description in this chapter
		—	Chapter 6. Power Management
		61	<ul style="list-style-type: none"> • Modified wording and enhanced description in this chapter • Modified VDEN bit name in Figure 6.4 to "Low Voltage Detector Enable Bit"; Modified its function descriptions "low voltage detection disabled" and "low voltage detection enabled" to "low voltage detector disabled" and "low voltage detector enabled", respectively
		63	<ul style="list-style-type: none"> • Modified description "has re-risen above Vdet(R)" in line 7 of 6.2.1 to "rises to or above Vdet(R) again"
		—	Chapter 7. Processor Mode
			<ul style="list-style-type: none"> • Modified wording and enhanced description in this chapter
		—	Chapter 8. Clock Generator
		69	<ul style="list-style-type: none"> • Modified wording and enhanced description in this chapter • Added BCS bit to Figure 8.1
		71	<ul style="list-style-type: none"> • Modified CM03 bit name "XCIN-XCOUT Drive Power Select Bit" in Figure 8.3 to "XCIN-XCOUT Drive Strength Select Bit"; Added description to Note 8
		72	<ul style="list-style-type: none"> • Modified bit name of bits CM16 and CM15 "XIN-XOUT Drive Power Select Bit" in Figure 8.4 to "XIN-XOUT Drive Strength Select Bit"; Modified description of Note 2
		73	<ul style="list-style-type: none"> • Modified function descriptions of CM20 bit in Figure 8.5 to "Disable oscillator stop detection" when it is 0 and "Enable oscillator stop detection" when it is 1; Corrected "CM02 bit" in Note 3 to "CM20 bit"
		82	<ul style="list-style-type: none"> • Modified the last sentence of 8.1.4
		83	<ul style="list-style-type: none"> • Delete the last sentence in parenthesis in 8.2
		92	<ul style="list-style-type: none"> • Modified descriptions in lines 1 to 3 of 8.7.2
		—	Chapter 9. Bus
		101	<ul style="list-style-type: none"> • Modified wording and enhanced description in this chapter • Changed mathematical symbol "<" in formulas in 9.3.1 to "≤"
		104, 105	<ul style="list-style-type: none"> • Changed minimum value for registers CB01 and CB12 in Figures 9.7 and 9.8 to "02h" • Modified description of Note 2 in Figures 9.7 to 9.9
		105	<ul style="list-style-type: none"> • Changed maximum value for registers CB12 and CB23 in Figures 9.8 and 9.9 to "F8h" in memory expansion mode and "FFh" in microprocessor mode

Revision History	R32C/116 Group User's Manual: Hardware
------------------	--

Rev.	Date	Description	
		Page	Summary
		107	<ul style="list-style-type: none"> • Added description “(except for the CS0 signal) to Note 1 of Figure 9.11
		108	<ul style="list-style-type: none"> • Modified bit names of bits ESUR1 and ESUR0, bits ESUW1 and ESUW0, bits EWR1 and EWR0, and bits EWW1 and EWW0 in Figure 9.12 to “Address Setup Cycles Before Read Setting Bit”, “Address Setup Cycles Before Write Setting Bit”, “Read Pulse Width Setting Bit”, and “Write Pulse Width Setting Bit”, respectively
		114	<ul style="list-style-type: none"> • Modified descriptions “(address setup before \overline{RD})”, “(address setup before \overline{WR})”, “(\overline{RD} pulse width)”, and “(\overline{WR} pulse width)” in the second paragraph of 9.3.5 to “(address setup cycles before read)”, “(address setup cycles before write)”, “(read pulse width)”, and “(write pulse width)”, respectively
		—	<p>Chapter 10. Protection</p> <ul style="list-style-type: none"> • Made minor text modifications to this chapter
		124	<ul style="list-style-type: none"> • Modified description of Note 1 in Figure 10.1
		—	<p>Chapter 11. Interrupts</p> <ul style="list-style-type: none"> • Modified wording and enhanced description in this chapter
		127	<ul style="list-style-type: none"> • Modified description of Note 1 in Figure 11.1
		128	<ul style="list-style-type: none"> • Modified descriptions in the second paragraph in (5) of 11.2
		138	<ul style="list-style-type: none"> • Modified description of jump operation in 11.5, Table 11.1, and below Figure 11.4
		141	<ul style="list-style-type: none"> • Moved description of Note 1 to (2) of 11.6.4
		142	<ul style="list-style-type: none"> • Modified description of Note 1 of Table 11.7
		149	<ul style="list-style-type: none"> • Corrected register symbol “IIOiE” in the last line of 11.13 to “IIOiE”
		—	<p>Chapter 12. Watchdog Timer</p> <ul style="list-style-type: none"> • Modified wording and enhanced description in this chapter
		153	<ul style="list-style-type: none"> • Modified description of lines 3 to 4 in 12. Watchdog Timer; Modified CPU clock frequency to “64 MHz” and watchdog timer period to “16.4 ms”
		—	<p>Chapter 13. DMAC</p> <ul style="list-style-type: none"> • Modified wording and enhanced description in this chapter
		156	<ul style="list-style-type: none"> • Modified descriptions of timer- and UART-associated interrupt requests in “DMA request sources” in Table 13.1; Modified description “more than 00000001h” in “DMA transfer start-up” to “other than 00000000h”
		164	<ul style="list-style-type: none"> • Modified descriptions in 13.1
		165	<ul style="list-style-type: none"> • Corrected address of external bus “00060000h” in Table 13.5 to “00080000h”
		—	<p>Chapter 14. DMAC II</p> <ul style="list-style-type: none"> • Modified wording and enhanced description in this chapter
		170	<ul style="list-style-type: none"> • Modified expressions “calculation transfer” and “chained transfer” to “calculation result transfer” and “chain transfer”, respectively • Corrected source address “FFFFFFFh” in Note 1 of Table 14.1 to “FFFFFFFFh” • Corrected bit name “IIRLT” in the fifth bullet point of 14.1 to “IRLT”

Revision History	R32C/116 Group User's Manual: Hardware
------------------	--

Rev.	Date	Description	
		Page	Summary
		172	<ul style="list-style-type: none"> • Changed expression “DMA II transfer complete interrupt vector address” in lines 3 to 4 and the seventh bullet point of 14.1.2 and Figure 14.2 to “jump address for the DMA II transfer complete interrupt handler”
		172, 175	<ul style="list-style-type: none"> • Modified expression “interrupt vector” in Figure 14.2 and line 1 of 14.1.4 to “interrupt vector space”
		172	<ul style="list-style-type: none"> • Changed expression “jump address” in the seventh bullet point of 14.1.2 to “start address”
		174	<ul style="list-style-type: none"> • Changed bit names of OPER bit and bits CNT2 to CNT0 in Figure 14.3 to “Calculation Result Transfer Select Bit” and “Number of Transfers Setting Bit”, respectively
		178	<ul style="list-style-type: none"> • Modified descriptions in Figure 14.5
		—	<p>Chapter 15. Programmable I/O Ports</p> <ul style="list-style-type: none"> • Modified wording and enhanced description in this chapter
		—	<p>Chapter 16. Timers</p> <ul style="list-style-type: none"> • Modified wording and enhanced description in this chapter
		184	<ul style="list-style-type: none"> • Modified description of the third bullet point “One-shot timer mode” above Figure 16.3
		187	<ul style="list-style-type: none"> • Deleted “Counting” from UDF register name and bit names of bits TA4UD to TA0UD in Figure 16.7
		195	<ul style="list-style-type: none"> • Changed MR2 bit name “Increment/Decrement Count Switching Source Select Bit” in Figure 16.12 to “Increment/Decrement Switching Source Select Bit”; Corrected bit symbols “TAiTGH and TAiTGL” in Note 5 to “TAjTGH and TAjTGL”
		196	<ul style="list-style-type: none"> • Corrected pin name “INT2” in Figures 16.13 and 16.14 to “$\overline{\text{INT2}}$”
		214	<ul style="list-style-type: none"> • Modified description in 16.3.3.1 • Modified description “TBjS bit” in the first bullet point of 16.3.3.2 to “TBjS bit in the TABSR or TBSR register”; Modified “TBj” in the eighth bullet point to “timer Bj”
		—	<p>Chapter 17. Three-phase Motor Control Timers</p> <ul style="list-style-type: none"> • Modified wording and enhanced description in this chapter
		218	<ul style="list-style-type: none"> • Modified Note 1 in Figure 17.3
		225	<ul style="list-style-type: none"> • Deleted description in line 7 of 17.3
		229	<ul style="list-style-type: none"> • Corrected bit symbol “INV06” in Note 3 of Figure 17.15 to “INV16”
		230	<ul style="list-style-type: none"> • Corrected register symbol “INV1” in Note 2 of Figure 17.17 to “INVC1”
		—	<p>Chapter 18. Serial Interface</p> <ul style="list-style-type: none"> • Modified wording and enhanced description in this chapter
		238, 239	<ul style="list-style-type: none"> • Modified CRD bit name in Figures 18.5 and 18.6 to “CTS Function Disable Bit”; Modified their function descriptions
		240	<ul style="list-style-type: none"> • Modified bit description of UiIRS bit when it is 0 in Figure 18.7 to “Transmit Buffer is empty (TI = 1)”; Modified bit name of UiLCH bit to “Logic Inversion Select Bit”
		243	<ul style="list-style-type: none"> • Modified CSC bit name in Figure 18.11 to “Clock synchronization Bit”; Deleted “of the SCLi” from function description of SWC bit
		244	<ul style="list-style-type: none"> • Corrected “UiBRG count source” in function description of bits DL2 to DL0 in Figure 18.12 to “baud rate generator count source”

Revision History	R32C/116 Group User's Manual: Hardware
------------------	--

Rev.	Date	Description	
		Page	Summary
		245	<ul style="list-style-type: none"> • Modified RSTAREQ bit name in Figure 18.13 to “Repeated START Condition Generate Bit”; Deleted “of the SCLi” from function description of SWC9 bit
		253	<ul style="list-style-type: none"> • Modified “TXEPT flag” in Figure 18.20 to “TXEPT bit”; Corrected bit symbol “UiRS” in the fourth dash to “UiIRS”
		261, 262	<ul style="list-style-type: none"> • Corrected bit functions of UiIRS bit in the fourth dash in Figures 18.25 and 18.26
		270, 271	<ul style="list-style-type: none"> • Divided Table 18.11 to Tables 18.11 and 18.12
		—	Chapter 19. A/D Converter
		292	<ul style="list-style-type: none"> • Modified wording and enhanced description in this chapter
		294, 296, 297	<ul style="list-style-type: none"> • Modified “DMA” in Note 4 of Figure 19.7 to “DMAC”
		297	<ul style="list-style-type: none"> • Modified “DMA” in the first bullet point in “Reading A/D converted result” of Tables 19.3, 19.5, and 19.6 to “DMAC”
		297	<ul style="list-style-type: none"> • Modified description of the number of prioritized pins in line 1 of 19.1.5 and “Function” in Table 19.6
		305	<ul style="list-style-type: none"> • Corrected “AD0i” in the ninth bullet point of 19.3.2 to “AD00”
		—	Chapter 20. D/A Converter
		—	<ul style="list-style-type: none"> • Made minor text modifications to this chapter
		—	Chapter 21. CRC Calculator
		—	<ul style="list-style-type: none"> • Made minor text modifications to this chapter
		308	<ul style="list-style-type: none"> • Modified Figure 21.1
		—	Chapter 22. X-Y Conversion
		—	<ul style="list-style-type: none"> • Made minor text modifications to this chapter
		—	Chapter 23. Intelligent I/O
		—	<ul style="list-style-type: none"> • Modified wording and enhanced description in this chapter
		321	<ul style="list-style-type: none"> • Changed bit name of bits UD1 and UD0 “Increment/Decrement Counting Control Bit” in Figure 23.6 to “Increment/Decrement Control Bit”
		324	<ul style="list-style-type: none"> • Deleted Note 3 from Figure 23.9
		331	<ul style="list-style-type: none"> • Added “(INT0 or INT1)” to the second bullet point for “Reset conditions” in Table 23.2; Changed description of the timer counter to start decrementing in the first bullet point of “Other functions”
		339	<ul style="list-style-type: none"> • Moved “(k = 4, 5)” in Figure 23.24 to its figure title
		342, 344, 347	<ul style="list-style-type: none"> • Modified “Input to the IIOi_j pin” in Figures 23.25 to 23.27 to “IIOi_j pin”
		345, 346	<ul style="list-style-type: none"> • Divided Table 23.9 into Tables 23.9 and 23.10
		349, 351	<ul style="list-style-type: none"> • Corrected “Input to the OUTC2_j pin” in Figures 23.28 and 23.30 to “OUTC2_j pin”
		351	<ul style="list-style-type: none"> • Deleted the second dash of (A) in Figure 23.30
		—	Chapter 24. Multi-master I²C-bus Interface
		—	<ul style="list-style-type: none"> • Modified wording and enhanced description in this chapter
		363	<ul style="list-style-type: none"> • Modified Figure 24.1
		378	<ul style="list-style-type: none"> • Added condition “the RIE bit is 1” to the second case of the IRF bit becoming 1 in 24.1.8.5
		381	<ul style="list-style-type: none"> • Corrected bit symbol “STR” in line 8 of 24.2 to “TRS”

Revision History	R32C/116 Group User's Manual: Hardware
------------------	--

Rev.	Date	Description	
		Page	Summary
		—	Chapter 25. I/O Pins
		393	<ul style="list-style-type: none"> • Modified wording and enhanced description in this chapter • Deleted ASEL from a factor of pull-up resistor being separated from peripheral functions in 25. I/O Pins and Figure 25.1 • Modified descriptions “has neither bit 5 of the function select register nor the PDi register” in lines 10 to 11 and “Bit 1 of the function select register and the PDi register is assigned for reserved bit” in lines 11 to 12 below Figure 25.1 to “has no function select register or bit 5 in the PD8 register” and “The function select register and bit 1 in the PD14 register are reserved”, respectively.
		394	<ul style="list-style-type: none"> • Corrected pin symbols “WR/WR0”, “BC1/WR1”, “BC2/WR2”, and “BC3/WR3” in line 4 of 25.1 to “WR/WR0”, “BC1/WR1”, “BC2/WR2”, and “BC3/WR3”
		397, 408, 412	<ul style="list-style-type: none"> • Changed expression “IIOj output” in Figures 25.4, 25.15, and 25.19 to “IIOj_i output”
		399	<ul style="list-style-type: none"> • Corrected description “PD3_i register” in line 3 below Figure 25.6 to “PD3_i bit”
		—	Chapter 26. Flash Memory
		438	<ul style="list-style-type: none"> • Modified wording and enhanced description in this chapter • Changed minimum value for registers CB01 and CB12 in Table 26.8 to “02h” and maximum value for registers CB12 and CB23 to “F8h”; Modified descriptions of setting range
		457	<ul style="list-style-type: none"> • Modified descriptions of the first bullet points in 26.6.7 and 26.6.8
		—	Chapter 27. Electrical Characteristics
		464	<ul style="list-style-type: none"> • Modified wording and enhanced description in this chapter • Changed expression “Programming and erasure endurance of flash memory” in Table 27.8 to “Program/erase cycles”; Changed its unit “times” to “Cycles”
		469, 482	<ul style="list-style-type: none"> • Added “MSCL” and “MSDA” to Tables 27.16 and 27.42
		470, 483	<ul style="list-style-type: none"> • Modified description “Drive power” in Tables 27.17 and 27.43 to “Drive strength”
		—	Chapter 28. Usage Notes
		500, 501	<ul style="list-style-type: none"> • Modified wording and enhanced description in this chapter • Changed the order of Tables 28.1 and 28.2
		501	<ul style="list-style-type: none"> • Deleted “counting” from UDF register name in Table 28.2
		508	<ul style="list-style-type: none"> • Modified description in 28.7.3.1 • Modified description “TBjS bit” in the first bullet point of 28.7.3.2 to “TBjS bit in the TABSR or TBSR register”; Modified “TBj” in the eighth bullet point to “timer Bj”
		513	<ul style="list-style-type: none"> • Corrected “AD0i” in the ninth bullet point of 28.10.2 to “AD00”
		515	<ul style="list-style-type: none"> • Modified descriptions of the first bullet points in 28.11.7 and 28.11.8

R32C/116 Group User's Manual: Hardware

Publication Date: Rev.0.62 Apr 08, 2009
Rev.1.20 Feb 18, 2013

Published by: Renesas Electronics Corporation



Renesas Electronics Corporation

<http://www.renesas.com>

SALES OFFICES

Refer to "<http://www.renesas.com/>" for the latest and detailed information.

Renesas Electronics America Inc.

2880 Scott Boulevard Santa Clara, CA 95050-2554, U.S.A.
Tel: +1-408-588-6000, Fax: +1-408-588-6130

Renesas Electronics Canada Limited

1101 Nicholson Road, Newmarket, Ontario L3Y 9C3, Canada
Tel: +1-905-898-5441, Fax: +1-905-898-3220

Renesas Electronics Europe Limited

Dukes Meadow, Millboard Road, Bourne End, Buckinghamshire, SL8 5FH, U.K
Tel: +44-1628-651-700, Fax: +44-1628-651-804

Renesas Electronics Europe GmbH

Arcadiastrasse 10, 40472 Düsseldorf, Germany
Tel: +49-211-65030, Fax: +49-211-6503-1327

Renesas Electronics (China) Co., Ltd.

7th Floor, Quantum Plaza, No.27 ZhiChunLu Haidian District, Beijing 100083, P.R.China
Tel: +86-10-8235-1155, Fax: +86-10-8235-7679

Renesas Electronics (Shanghai) Co., Ltd.

Unit 204, 205, AZIA Center, No.1233 Lujiazui Ring Rd., Pudong District, Shanghai 200120, China
Tel: +86-21-5877-1818, Fax: +86-21-6887-7858 / -7898

Renesas Electronics Hong Kong Limited

Unit 1601-1613, 16/F., Tower 2, Grand Century Place, 193 Prince Edward Road West, Mongkok, Kowloon, Hong Kong
Tel: +852-2886-9318, Fax: +852-2886-9022/9044

Renesas Electronics Taiwan Co., Ltd.

13F, No. 363, Fu Shing North Road, Taipei, Taiwan
Tel: +886-2-8175-9600, Fax: +886 2-8175-9670

Renesas Electronics Singapore Pte. Ltd.

80 Bendemeer Road, Unit #06-02 Hyflux Innovation Centre Singapore 339949
Tel: +65-6213-0200, Fax: +65-6213-0300

Renesas Electronics Malaysia Sdn.Bhd.

Unit 906, Block B, Menara Amcorp, Amcorp Trade Centre, No. 18, Jln Persiaran Barat, 46050 Petaling Jaya, Selangor Darul Ehsan, Malaysia
Tel: +60-3-7955-9390, Fax: +60-3-7955-9510

Renesas Electronics Korea Co., Ltd.

11F., Samik Lavied or Bldg., 720-2 Yeoksam-Dong, Kangnam-Ku, Seoul 135-080, Korea
Tel: +82-2-558-3737, Fax: +82-2-558-5141

R32C/116 Group



Renesas Electronics Corporation

R01UH0210EJ0120
(Previous Number: REJ09B0532-0100)