

High Efficiency Advanced Feature 4-Channel PMIC

General Description

The PV88080 power management integrated circuit (PMIC) provides one PWM buck controller and three adjustable synchronous buck regulators. The high voltage buck controller can optionally be used to generate the supply for the other three buck converters. Two pass devices (NMOS FET) for the high side and low side of the high voltage buck controller are external which allows the majority of the buck controller power dissipation to be outside the PV88080. This high voltage buck controller uses a constant on time (COT) control scheme with integrated bootstrap PMOS switch. In certain applications, multiple PV88080s can be used together to provide enough power rails to power the larger systems. There are three buck converters that can be used to generate the supplies for CPUs, DDR memory and other Auxiliary functions in a typical application. The pass devices of these buck converters are fully integrated, so no external FETs or Schottky diodes are needed. This results in optimized power efficiency and a reduced external component count. PV88080 provides Dynamic Voltage Control (DVC) via I2C command to support adaptive adjustment of the supply voltage based on the processor. All power blocks have over current circuit protection and the start-up timing can be controlled through the I²C interface. Soft start-up limits the inrush current from the input node and secures a slope controlled activation of the rail. The PV88080 is available in a 32-pin QFN package and is specified from -40 °C to 85 °C ambient temperature.

Key Features

- One synchronous buck controller
 - V_{IN} input voltage range : 7 V to 26 V
 - Programmable output voltage :
 - 0.8 V~5.25 V when V_{IN} <13.2 V or
 - 1.8 V~5.25 V when V_{IN} >13.2 V
 - Supports all ceramic output capacitors
 - Switching frequency up to 1 Mhz
 - Reference voltage with ±1% tolerance
 - Provide OVP, OCP and OTP
- Three synchronous buck converters with integrated low R_{ON} FET
 - Buck1, programmable output voltage from 0.75 V to 3.3 V with 5-A continuous output current. Peak current 6 A if standalone.
 - Buck2, programmable output voltage from 0.9 V to 3.6 V with 2-A continuous output current. Peak current 3 A if standalone.
 - Buck3, programmable output voltage from 0.9 V to 3.6 V with 2-A continuous output current. Peak current 3 A if standalone.
- Light load efficiency improved > 85%
- Boot up selectable output voltage through GPIO
- Dynamic Voltage Control (DVC) on all buck converters
- Constant on time (COT) control with selectable frequencies
- Auto mode on all three buck converters
- Adjustable soft start
- Two GPIO, one nIRQ and I²C compatible interface
- Mute function: eliminates audio popping noise in power plug OFF scenario.
- Power fail detect function to alert the application processor.
- External thermal sense function: establish the remote temperature sensing ability on the system.
- -40 to 85 °C ambient temperature range
- Custom 32-pin QFN package with thermal pad, 0.5 mm pin pitch

Applications

- Supply for digital television processor
- Networking home terminal
- Power supply for digital Set Top Box (STB)

High Efficiency Advanced Feature 4-Channel PMIC

System Diagram

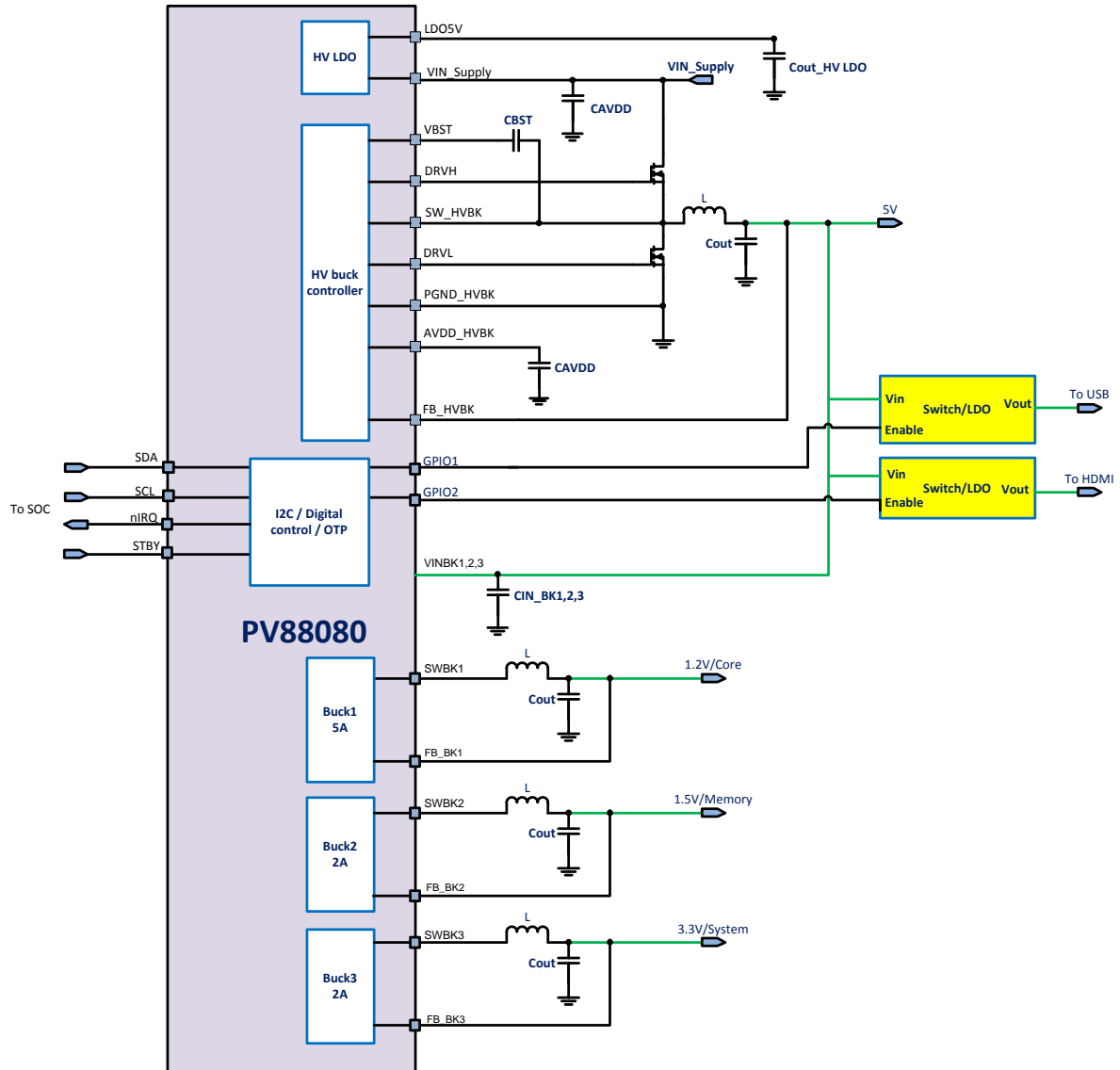


Figure 1: PV88080 Application Circuit

High Efficiency Advanced Feature 4-Channel PMIC

Contents

General Description	1
Key Features	1
Applications	1
System Diagram	2
Contents	3
Figures	6
Tables	7
1 Block Diagram	8
2 Pinout	9
3 Characteristics	11
3.1 Absolute Maximum Ratings	11
3.2 Recommended Operating Conditions.....	12
3.3 Electrical Characteristics.....	12
3.3.1 Power Dissipation	12
3.3.2 Buck Converters / Controller	13
3.3.3 Buck1 Core Voltage.....	14
3.3.4 Buck2 Memory.....	14
3.3.5 Buck3 Aux.....	16
3.3.6 HV Buck Controller	17
3.3.7 Core LDO.....	19
3.3.8 HV LDO.....	19
3.3.9 Power on Reset	20
3.3.10 Supply Monitoring	20
3.3.11 Fault Condition.....	21
3.3.12 Digital I/O Signals	21
4 Application Curves and Waveforms	23
5 Functional Description	26
5.1 Operating Modes.....	26
5.1.1 NORMAL Mode - Default Power On Status	26
5.1.2 STANDBY Mode.....	26
5.1.3 Power Sequence	27
5.2 Multiple PV88080 Power On/Off Behavior.....	29
5.3 Multiple PV88080 Power On/Off Behavior.....	30
5.4 HV Buck Controller Protection Behavior	30
5.4.1 Over-Voltage (OV) Protection.....	30
5.4.2 Under-Voltage (UV) Protection.....	31
5.4.3 Positive Over-Current (P-OC) Protection	31
5.4.4 Negative Over-Current (N-OC) Protection.....	31
5.4.5 Output Short Circuit Protection (SCP)	31
5.5 Buck Converter Output Voltage Selection Function	35

High Efficiency Advanced Feature 4-Channel PMIC

5.6	MUTE Function	36
5.6.1	MUTE Levels	37
5.6.2	Sequence of Power and Signals	37
5.7	Thermal Sensing and Power Fail Function	39
5.7.1	Function Description with Related Signals	40
5.8	2-Wire Interface.....	41
5.8.1	Details of the 2-Wire Protocol.....	41
6	Register Map.....	44
6.1	Status and Configuration.....	51
6.1.1	Register STATUS_A.....	51
6.1.2	Register STATUS_B.....	51
6.1.3	Register STATUS_C.....	52
6.1.4	Register EVENT_A	53
6.1.5	Register EVENT_B	55
6.1.6	Register EVENT_C.....	56
6.1.7	Register FAULT_LOG	57
6.1.8	Register FAULT_LOG_1	58
6.1.9	Register IRQ_MASK_A	59
6.1.10	Register IRQ_MASK_B	59
6.1.11	Register IRQ_MASK_C	60
6.1.12	Register CONTROL_A	61
6.1.13	Register CONTROL_B	62
6.1.14	Register CONTROL_C	62
6.1.15	Register I2C_BASE_ADDR	63
6.2	GPIO	64
6.2.1	Register GPIO_DATA_IN	64
6.2.2	Register GPIO_DATA_OUT	64
6.2.3	Register GPIO_0_CONF	65
6.2.4	Register GPIO_1_CONF	66
6.2.5	Register GPIO_NIRQ_CONF	67
6.2.6	Register GPIO_VBUCK_CONF.....	68
6.2.7	Register GPIO_UP_SEQ_CONF	69
6.2.8	Register GPIO_DN_SEQ_CONF	70
6.2.9	Register GPO_SDA_SEQ_CONF	70
6.2.10	Register GPIO_NIRQ_SEQ_CONF	71
6.3	Sequencer	72
6.3.1	Register ID_0.....	72
6.3.2	Register HV_BUCK_STEP	72
6.3.3	Register BUCK_1_2_STEP	73
6.3.4	Register BUCK_3_STEP	73
6.3.5	Register SEQ_STATUS.....	73
6.3.6	Register SEQ_A	74
6.3.7	Register SEQ_B	74

High Efficiency Advanced Feature 4-Channel PMIC

6.3.8	Register SEQ_TIMER.....	75
6.4	Supplies	76
6.4.1	Register BUCK1_CONF0	76
6.4.2	Register BUCK1_CONF0_ALT	76
6.4.3	Register BUCK1_CONF1	77
6.4.4	Register BUCK2_CONF0	77
6.4.5	Register BUCK2_CONF0_ALT	78
6.4.6	Register BUCK2_CONF1	78
6.4.7	Register BUCK3_CONF0	79
6.4.8	Register BUCK3_CONF0_ALT	79
6.4.9	Register BUCK3_CONF1	80
6.4.10	Register HVBUCK_CONF1	80
6.4.11	Register HVBUCK_CONF2	81
6.4.12	Register HVBUCK_CONF3	82
6.4.13	Register HVBUCK_CONF4	82
6.4.14	Register HVBUCK_VSTDBY	84
6.4.15	Register HVBUCK_STATUS1	84
6.5	Control.....	86
6.5.1	Register WAIT_CONT	86
6.6	Standby Interface	87
6.6.1	Register STBY_CONF.....	87
6.7	Test Registers	88
6.7.1	Register BUCK1_CONF2	88
6.7.2	Register BUCK1_CONF5	88
6.7.3	Register BUCK2_CONF2	88
6.7.4	Register BUCK2_CONF5	89
6.7.5	Register BUCK3_CONF2	89
6.7.6	Register BUCK3_CONF5	89
6.7.7	Register HVBUCK_CONF5	90
6.7.8	Register HVBUCK_CONF6	91
6.7.9	Register HVBUCK_CONF7	91
6.7.10	Register HVBUCK_CONF16	92
6.7.11	Register HVBUCK_CONF17	93
6.7.12	Register HVBUCK_CONF18	94
6.7.13	Register HVBUCK_CONF19	95
6.7.14	Register HVBUCK_CONF27	96
6.7.15	Register HVBUCK_CONF29	96
7	Application Information	97
7.1	Component Selection.....	97
7.1.1	Capacitors.....	97
7.1.2	Inductors	97
7.1.3	Resistors	97
7.1.4	MOSFET	98

High Efficiency Advanced Feature 4-Channel PMIC

7.2	PCB Layout Guide	99
7.2.1	LVBUCK converter	99
7.2.2	HVBUCK controller	100
7.2.3	Other Stages	101
7.2.4	PCB Layout Reference	102
8	Package Outline Drawing	103
9	Ordering Information	104

Figures

Figure 1:	PV88080 Application Circuit	2
Figure 1:	PV88080 Block Diagram	8
Figure 2:	HV Buck Controller Efficiency	23
Figure 3:	Buck2/3 Converter Efficiency	23
Figure 4:	Buck1 Converter Load Regulation	23
Figure 5:	Buck1 Converter Efficiency	23
Figure 6:	HV Buck Controller Load Regulation	23
Figure 7:	Buck2/3 Converter Load Regulation	23
Figure 8:	HVBuck Steady State Operation at No Load	24
Figure 9:	Buck1 Steady State Operation at No Load	24
Figure 10:	Buck2 Steady State Operation at No Load	24
Figure 11:	HVBuck Steady State Operation at 5 V, 20 A	24
Figure 12:	Buck1 Steady State Operation at 1.2 V, 5 A	24
Figure 13:	Buck2 Steady State Operation at 1.5 V, 2 A	24
Figure 14:	Buck3 Steady State Operation at No Load	25
Figure 15:	HVBUCK Load Transient when $I_{OUT} = 1 \text{ mA}$ to 20 A	25
Figure 16:	Buck2 Load Transient when $I_{OUT} = 1 \text{ mA}$ to 2 A	25
Figure 17:	Buck3 Steady State Operation at 3.3 V, 2 A	25
Figure 18:	Buck1 Load Transient when $I_{OUT} = 1 \text{ mA}$ to 5 A	25
Figure 19:	Buck3 Load Transient when $I_{OUT} = 1 \text{ mA}$ to 2 A	25
Figure 20:	Proposal for mPV88080 Connection	29
Figure 21:	Multiple PV88080 Connection Power on Sequence	30
Figure 22:	SCP - Normal Power On, no SCP/UVP is Triggered	32
Figure 23:	SCP - Short Circuit Occurs at the Beginning	33
Figure 24:	SCP - Short Circuit Occurs when $V_{DAC} = 0.5 \text{ V}$	33
Figure 25:	SCP - Short Circuit Occurs when V_{DAC} is Ramping Up	34
Figure 26:	SCP - Short Circuit Occurs when V_{DAC} Ramps Up and Reaches the Target	34
Figure 27:	SCP - Under Voltage Protection (UVP)	35
Figure 28:	Typical Application of Mute Function	36
Figure 29:	Mute Function Operation Level	36
Figure 30:	Sequence of Power and Signal - Condition I	37
Figure 31:	Sequence of Power and Signal - Condition II	38
Figure 32:	Sequence of Power and Signal - Condition III	38
Figure 33:	Typical application schematic of Thermal Sense Function	39
Figure 34:	Typical application schematic of Power fail function	39
Figure 35:	Thermal Sense Function Waveform	40
Figure 36:	Timing of the START and STOP Conditions	41
Figure 37:	Byte Write Operation	41
Figure 38:	Examples of Byte Read Operations	42
Figure 39:	2-Wire Page Read	42
Figure 40:	2-Wire Page Write	42

High Efficiency Advanced Feature 4-Channel PMIC

Figure 41: 2-Wire Repeated Write.....	43
Figure 42: LVBUCK Converter Block	99
Figure 43: HVBUCK Controller Block.....	100
Figure 44: Analog and Digital Block	101
Figure 45: PCB Layout	102
Figure 46: PV88080 Package Outline Drawing.....	103
Figure 47: PV88080 Package Marking.....	104

Tables

Table 1: PV88080 Pin Description	9
Table 2: Pin Type Definition	10
Table 3: Absolute Maximum Ratings.....	11
Table 4: Recommended Operating Conditions	12
Table 5: Power Dissipation Use Cases	12
Table 6: Bucks Summary	13
Table 7: Electrical Characteristics $V_{DD} = 4.75$ to 5.25 V.....	14
Table 8: Electrical Characteristics $V_{DD} = 4.75$ to 5.25 V.....	15
Table 9: Electrical Characteristics $V_{DD} = 4.75$ to 5.25 V.....	16
Table 10: Electrical Characteristics $V_{DD} = 4.75$ to 5.25 V	17
Table 11: Electrical Characteristics $V_{DD} = 4.75$ to 5.25 V.....	19
Table 12: Electrical Characteristics	19
Table 13: Electrical Characteristics	20
Table 14: Electrical Characteristics $V_{DD} = 4.75$ to 5.25 V	20
Table 15: Electrical Characteristics $V_{DD} = 4.75$ to 5.25 V	21
Table 16: GPIO Functions Summary	22
Table 17: Electrical Characteristics $V_{DD} = 4.75$ to 5.25 V	22
Table 18: Functional Block Mode of Operation	26
Table 19: PV88080 Start-Up Sequence.....	27
Table 20: Start-Up sequence for multiple PV88080s	27
Table 21: Output Voltage Selection Function Summary of Buck2 Converter	35
Table 22: Electrical Characteristics $V_{DD} = 4.75$ to 5.25 V	37
Table 23: Electrical Characteristics $V_{DD} = 4.75$ to 5.25 V	40
Table 24: Ordering Information	104

High Efficiency Advanced Feature 4-Channel PMIC

1 Block Diagram

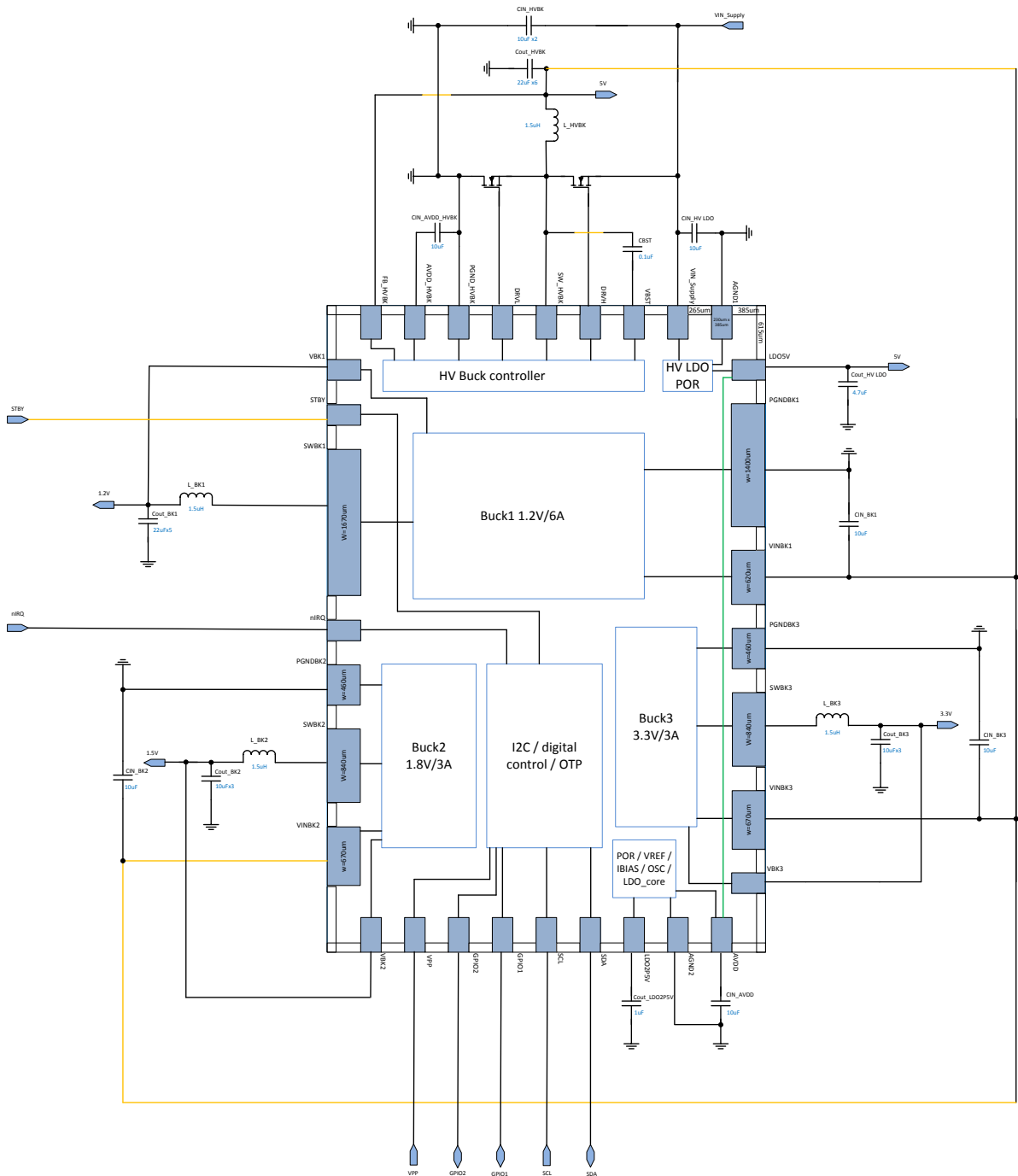


Figure 1: PV88080 Block Diagram

High Efficiency Advanced Feature 4-Channel PMIC

2 Pinout

The pin outs are subject to change during the detailed design and floor planning stages.

Table 1: PV88080 Pin Description

Pin No.	Pin Name	Type (Table 2)	Description
1	FB_BK1 (VBK1)	AI	Feedback node for Buck1
2	STBY	DI	System standby signal or acting as power enable
3	SWBK1	AO	Switching node for Buck1 To be connected to output inductor
4	nIRQ	DO	Interrupt line towards the host Option role can be set by OTP: Buck2 voltage selection; MUTE flag; Power fail detect function flag; GPO.
5	PGNDBK2	VSS	Power Ground for Buck2
6	SWBK2	AO	Switching node for Buck2 To be connected to output inductor
7	VINBK2	PS	Supply voltage for Buck2 To be connected to VDD after Input Capacitor
8	FB_BK2 (VBK2)	AI	Feedback node for Buck2
9	VPP	VSS	Connect to VSS in application
10	GPIO2	DIO	General Purpose I/O Option roles can be set by OTP: Buck2 voltage selection; MUTE flag; TS source current output.
11	GPIO1	DIO	General Purpose I/O Option roles can be set by OTP: Buck2 voltage selection; MUTE flag.
12	SCL	DI	2-WIRE clock
13	SDA	DIO	2-WIRE data Option role can be set by OTP: GPO
14	LDO2P5V	AO	Supply for internal digital circuit.
15	AGND2	VSS	Analog Ground. Connected directly to the PCB ground plane.
16	AVDD	PS	Analog Supply Voltage, internally short to LDO5V and externally shorted by PCB trace.
17	FB_BK3 (VBK3)	AI	Feedback node for Buck3
18	VINBK3	PS	Supply voltage for Buck3 To be connected to VDD after Input Capacitor
19	SWBK3	AO	Switching node for Buck3 To be connected to output inductor
20	PGNDBK3	VSS	Power Ground for Buck3

High Efficiency Advanced Feature 4-Channel PMIC

Pin No.	Pin Name	Type (Table 2)	Description
21	VINBK1	PS	Supply voltage for Buck1 To be connected to VDD after Input Capacitor
22	PGNDBK1	VSS	Power Ground for Buck1
23	LDO5V	AO	Analog Supply Voltage, internally short to AVDD
24	AGND1	VSS	Analog Ground. Connected directly to the PCB ground plane.
25	VIN_Supply	PS	High voltage supply for the HV buck controller
26	VBST	AO	Bootstrap node external cap
27	DRVH	AO	High side driver pin to drive external MOS
28	SW_HVBK	AO	Switching node for HV buck controller
29	DRVL	AO	Low side driver pin to drive external MOS
30	PGND_HVBK	VSS	Ground for HV buck controller
31	AVDD_HVBK	PS	Supply for HV buck controller driver block
32	FB_HVBK	AI	Feedback node for HV buck controller

Table 2: Pin Type Definition

Pin Type	Description	Pin Type	Description
DI	Digital Input	AI	Analog Input
DO	Digital Output	AO	Analog Output
DIO	Digital Input / Output	AIO	Analog Input / Output
PS	Power Supply	VSS	Ground

High Efficiency Advanced Feature 4-Channel PMIC

3 Characteristics

3.1 Absolute Maximum Ratings

Absolute Maximum Ratings indicate limits beyond which damage to the device may occur.

Recommended Operating Conditions are conditions for which the device is intended to be functional, but parameter specifications may not be guaranteed. For guaranteed specifications and associated test conditions, see the Min and Max limits and Conditions in the Electrical Characteristics tables. Electrical Characteristics table limits are guaranteed by production testing, design or correlation using standard Statistical Quality Control methods. Typical (Typ) specifications are mean or average values from characterization at 25 °C and are not guaranteed.

Table 3: Absolute Maximum Ratings

Parameter	Description	Conditions	Min	Max	Unit
T _{STG}	Storage temperature		-60	+165	°C
T _J	Junction temperature		-40	+125	°C
	Voltage at pins	Pins: FB_BK1, STBY, SWBK1, SWBK2, VINBK2, FB_BK2, SCL, AVDD, FB_BK3, VINBK3, SWBK3, VINBK1, LDO5V, DRVL, AVDD_HVBK, FB_HVBK	-0.3	5.5	V
		Pins: nIRQ, GPIO2, GPIO1, SDA, LDO2P5V,	-0.3	2.75	V
		Pins: VIN_Supply, SW_HVBK	-0.3	26	V
		Pins: VBST, DRVH	-0.3	31.5	V
		Pins: VBST-SW_HVBK, DRVH-SW_HVBK.	-0.3	5.5	V
	ESD compliance	Human body model		2	kV
		CDM		500	V

Note 1 Stresses beyond those listed under Absolute Maximum Ratings may cause permanent damage to the device. These are stress ratings only, so functional operation of the device at these or any other conditions beyond those indicated in the operational sections of the specification are not implied. Exposure to absolute maximum rating conditions for extended periods may affect device reliability.

High Efficiency Advanced Feature 4-Channel PMIC

3.2 Recommended Operating Conditions

Table 4: Recommended Operating Conditions

Parameter	Description	Conditions	Min	Max	Unit
T _A	Operating temperature		-40		+85

All voltages are referenced to VSS unless otherwise stated. Currents flowing into PV88080 are deemed positive, currents flowing out are deemed negative. Unless otherwise stated, all parameters are valid over the recommended temperature range and power supply range. Please note that the power dissipation must be limited to avoid overheating of PV88080. The maximum power dissipation should not be reached at maximum ambient temperature.

3.3 Electrical Characteristics

3.3.1 Power Dissipation

The power that can be dissipated by this circuit is limited by the package, PCB technology and ambient temperature. The load on the various outputs must be limited to stay below the power dissipation limit for the PCB/ambient conditions.

An integrated over temperature protection circuit is provided to prevent the chip exceeding the safe operating range. The over temperature protection threshold is guaranteed to be a maximum junction temperature of T_J=125 °C.

Use cases specified for the power dissipation are given in [Table 5](#).

Table 5: Power Dissipation Use Cases

Use Case			High Power Dissipation 1	High Power Dissipation 2	Low Power Dissipation 1
Package			QFN	QFN	QFN
Board Technology			4 layer 100mm*100mm	4 layer 100mm*100mm	2 layer 100mm*100mm
Block	Function	Voltage (V)	Current (mA)	Current (mA)	Current (mA)
Buck 1	CORE	1.2	5000	6000	3000
Buck 2	MEMORY	1.8	2000	3000	3000
Buck 3	AUX	3.3	2000	1000	3000
HV Buck Controller	Supply Buck1-3	5.0	20000	20000	10000

High Efficiency Advanced Feature 4-Channel PMIC

3.3.2 Buck Converters / Controller

Buck1 to Buck3 are high efficiency synchronous step down regulators operating at 1 MHz frequency and providing individual output voltages with +/- 3% accuracy.

The default output voltages of these regulators are loaded from OTP and can be programmed in 5 mV steps. The switching frequency is chosen to be high enough to allow the use of a 1.5 uH inductor.

The buck converter has an automatic mode where it switches between synchronous mode (PWM) and sleep mode (PFM) depending on the load current. An internal zero crossing comparator is used to time the turn-off of the internal MOSFET, thereby removing the need for an external Schottky diode. The quiescent current for all these buck converters in PFM mode is 25 uA.

Each one of the three buck converters can be individually controlled (through I²C) by dedicated registers. All buck converter pins deliver high currents except the feedback pin.

Each one of the three buck converters contains a P-MOSFET on the high side and N-MOSFET on the low side. These two MOSFET devices are integrated inside the PV88080.

All PV88080 buck converters feature a programmable pull down resistors, which can be either enabled or disabled when the buck converters is powered down.

Table 6: Bucks Summary

Block	V _{OUT}	I _{OUT}	External Components	Control
Buck1	0.75 V - 3.3 V	PWM: 5000 mA	L=1.5 uH / C _{OUT} > 60 uF	I ² C
Buck2	0.9 V - 3.6 V	PWM: 2000 mA	L=1.5 uH / C _{OUT} > 34 uF	I ² C
Buck3	0.9 V - 3.6 V	PWM: 2000 mA	L=1.5 uH / C _{OUT} > 34 uF	I ² C
HV Buck Controller	0.8 V - 5.25V (V _{IN} < 13.2 V) 1.8 V - 5.25 V (V _{IN} > 13.2 V)	>10 A	L=1.5 uH / C _{OUT} >130 uF	I ² C

High Efficiency Advanced Feature 4-Channel PMIC

3.3.3 Buck1 Core Voltage

Buck1 is a high efficiency synchronous step down regulators operating at 1 MHz frequency and providing individual output voltages with +/- 3% accuracy. The default output voltage of the regulator is loaded from OTP and can be programmed. The switching frequency is chosen to be high enough to allow the use of a 1.5 uH inductor. The standalone Buck1 can support the output load up to 6 A continuous current at nominal output voltage of 1.2 V. Maximum current depends on the system power dissipation calculation. Switch sizes are optimized for 1.2 V. The Buck1 converter supports dynamic voltage control (DVC) at the output voltage range of 0.75 V to 3.3 V.

The Buck1 converter has an automatic mode where it switches between synchronous mode (PWM) and sleep mode (PFM) depending on the load current. An internal zero crossing comparator is used to time the turn-off of the internal MOSFET, thereby removing the need for an external Schottky diode. The quiescent current for all these buck converters in PFM mode is 25 uA.

Table 7: Electrical Characteristics $V_{DD} = 4.75$ to 5.25 V

Parameter	Description	Conditions	Min	Typ	Max	Unit
V_{DD}	Input voltage		4.75		5.25	V
C_{OUT}	Output capacitance	(including voltage and temperature coefficient)	60		200	μ F
LBK1	Inductor value		-20 %	1.5	20 %	μ H
VBUCK1	Output voltage	$I_{OUT} = 5$ A	0.75		3.3	V
	Output voltage accuracy	$V_{DD} = 5$ V $V_{OUT}=1.01$ V, $I_{OUT}=0$ A PWM operation	-3		3	%
	Load regulation	$V_{DD} = 5$ V, $V_{OUT} = 1.2$ V, $I_{OUT} = 0$ A~5 A PWM operation		1.67		%/A
	Line regulation	$V_{DD} = 4.75$ V ~ 5.25 V $V_{OUT}=1.2$ V, $I_{OUT}=0$ A PWM operation		0.33		%/V
	Output Current			5000	6000	mA
I_{Q_OFF}	Quiescent current in OFF mode				2	μ A
Fsw	Switching frequency			1		MHz
	Switching duty cycle		10		95	%

3.3.4 Buck2 Memory

Buck2 is a high efficiency synchronous step down regulators operating at 1 MHz frequency and providing individual output voltages with +/- 3% accuracy. The default output voltage of the regulator is loaded from OTP and can be programmed. The switching frequency is chosen to be high enough to allow the use of a 1.5 uH inductor. The standalone Buck2 can support the output load up to 3 A continuous current at nominal output voltage of 1.8 V. Maximum current depends on the system power dissipation calculation.

The Buck2 converter supports dynamic voltage control (DVC) at the output voltage range of 0.9 V to 3.6 V. The Buck2 converter has an automatic mode where it switches between synchronous mode

High Efficiency Advanced Feature 4-Channel PMIC

(PWM) and sleep mode (PFM) depending on the load current. An internal zero crossing comparator is used to time the turn-off of the internal MOSFET, thereby removing the need for an external Schottky diode. The quiescent current for all these buck converters in PFM mode is 25 μ A.

Table 8: Electrical Characteristics $V_{DD} = 4.75$ to 5.25 V

Parameter	Description	Conditions	Min	Typ	Max	Unit
V_{DD}	Input voltage		4.75		5.25	V
C_{OUT}	Output capacitance	(including voltage and temperature coefficient)	34	60	200	μ F
LBK2	Inductor value		-20 %	1.5	20 %	μ H
VBUCK2	Output voltage		0.9		3.6	V
	Output voltage accuracy	$V_{DD} = 5$ V $V_{OUT} = 1.85$ V, $I_{OUT} = 0$ A PWM operation	-3		3	%
	Load regulation	$V_{DD} = 5$ V, $V_{OUT} = 1.8$ V, $I_{OUT} = 0$ A~2 A PWM operation		1.11		%/A
	Line regulation	$V_{DD} = 4.75$ V ~ 5.25 V $V_{OUT} = 1.8$ V, $I_{OUT} = 0$ A PWM operation		0.22		%/V
	Output Current			2000	3000	mA
I_{Q_OFF}	Quiescent current in OFF mode				2	μ A
Fsw	Switching frequency			1		MHz
	Switching duty cycle		10		95	%

High Efficiency Advanced Feature 4-Channel PMIC

3.3.5 Buck3 Aux

Buck3 is a high efficiency synchronous step down regulators operating at 1 MHz frequency and providing individual output voltages with +/- 3% accuracy. The default output voltage of the regulator is loaded from OTP and can be programmed. The switching frequency is chosen to be high enough to allow the use of a 1.5 uH inductor. The standalone Buck3 can support the output load up to 3 A continuous current at nominal output voltage of 3.3 V. Maximum current depends on the system power dissipation calculation. The Buck3 converter supports dynamic voltage control (DVC) at the output voltage range of 0.9 V to 3.6 V. The Buck3 converter has an automatic mode where it switches between synchronous mode (PWM) and sleep mode (PFM) depending on the load current.

An internal zero crossing comparator is used to time the turn-off of the internal MOSFET, thereby removing the need for an external Schottky diode. The quiescent current for all these buck converters in PFM mode is 25 uA.

Table 9: Electrical Characteristics $V_{DD} = 4.75$ to 5.25 V

Parameter	Description	Conditions	Min	Typ	Max	Unit
V_{DD}	Input voltage		4.75		5.25	V
C_{OUT}	Output capacitance	(including voltage and temperature coefficient)	34	60	200	μ F
LBK3	Inductor value		-20 %	1.5	20 %	μ H
VBUCK3	Output voltage		0.9		3.6	V
	Output voltage accuracy	$V_{DD} = 5$ V $V_{OUT} = 3.25$ V, $I_{OUT} = 0$ A PWM operation	-3		3	%
	Load regulation	$V_{DD} = 5$ V, $V_{OUT} = 3.3$ V, $I_{OUT} = 0$ A~2 A PWM operation		1.21		%/A
	Line regulation	$V_{DD} = 4.75$ V ~ 5.25 V $V_{OUT} = 3.3$ V, $I_{OUT} = 0$ A PWM operation		0.6		%/V
	Output Current			2000	3000	mA
I_{QFF}	Quiescent current in OFF mode				2	μ A
Fsw	Switching frequency			1		MHz
	Switching duty cycle		10		95	%

High Efficiency Advanced Feature 4-Channel PMIC

3.3.6 HV Buck Controller

The HV buck controller is a high efficiency synchronous step down controller. The Constant On Time (COT) control scheme enables the fast transient response with no external compensation components. The HV buck controller allows wide input voltage range (9 V to 26 V) and can support the output load up to 20 A. It operates at pseudo constant frequency at CCM and can support DCM operation. The default output voltage of the controller is loaded from OTP and can be programmed.

The switching frequency is chosen to be high enough to allow the use of a 1.5 μ H inductor. The high side and low side drivers are integrated internally and designed to drive the gate of the external N-MOSFET. The HV buck controller requires a bootstrap capacitor from SW_HVBK to VBST to provide a floating voltage supply for the high side driver. The boot charging PMOS switch is integrated internally. There is an 8-bit internal DAC in HV buck controller.

The LSB of the DAC is 5 mV with output ranges from 0.8 V to 1.275 V. When the HV buck controller output voltage is set at 1.0 V, the controller regulates the VFB_HVBK pin to DAC, such that $V_{FB_HVBK} = V_{OUT}$. When the HV buck controller output voltage is set at 5.0 V, the controller regulates the VFB_HVBK pin. The HV buck controller is designed to be very flexible to fit into various market applications. Therefore, several parameters are designed to be configurable including:

- OV, UV, OC, negative OC, zero current detection threshold,
- Soft-start / soft-stop slew rate,
- External MOSFET driver dead time,
- External MOSFET switching ringing suppression,
- Constant-on time and ramp characteristics.

Table 10: Electrical Characteristics $V_{DD} = 4.75$ to 5.25 V

Parameter	Description	Conditions	Min	Typ	Max	Unit
V_{DD}	Supply voltage		4.75		5.25	V
V_{IN}	Input voltage		7		26	V
C_{OUT}	Output capacitance	(including voltage and temperature coefficient)	34	60	200	μ F
LHVBK	Inductor value		-20 %	1.5	20 %	μ H
LESR	Inductor resistance				10	m Ω
V_{OUT}	Output Voltage	DC V_{OUT} for the first PV88080, $FB = V_{OUT} * (1/5)$	4.75		5.25	V
V_{OUT}	Output Voltage	DC V_{OUT} for the other PV88080s with $V_{IN} > 13.2$ V, FB is from divided V_{OUT}	1.8		5.25	V
V_{OUT}	Output Voltage	DC V_{OUT} for the other PV88080s with $V_{IN} < 13.2$ V, FB is from divided V_{OUT}	0.8		5.25	V
	FB voltage step			5		mV
	Output voltage accuracy	$V_{IN} = 12$ V $V_{OUT} = FB = 1$ V $T_A = 25$ °C	-1		1	%

High Efficiency Advanced Feature 4-Channel PMIC

Parameter	Description	Conditions	Min	Typ	Max	Unit
V _{OUT_TR_LOAD}	Load regulation transient	I _{OUT} = 25 %*I _{max} /I _{max} V _{IN} =12 V+/-10%, V _{OUT} =1 V. L=1.5 μH C=470 uF Tr=Tf=25 us			30	mV
V _{OUT_TR_LOAD}	Load regulation transient	I _{OUT} = 25 %*I _{max} /I _{max} V _{IN} =12 V+/-10 %, V _{OUT} =5 V. L=1.5 μH C=470 uF Tr=Tf=25 us			150	mV
F _{SW}	Switching frequency	V _{IN} =12 V, V _{OUT} =FB=1 V		500		kHz
T _{OFF}	Minimum off time			200		ns
	DRVH source resistance	T _A =25 °C I(DRVH)=-50 mA		3		Ω
	DRVH sink resistance	T _A =25 °C I(DRVH)=-50 mA		3		Ω
	DRVL source resistance	T _A =25 °C I(DRVL)=-50 mA		1.5		Ω
	DRVL sink resistance	T _A =25 °C I(DRVL)=-50 mA		1.5		Ω
	DRVH-low to DRVL-high dead time			20		ns
	DRVL-low to DRVH-high dead time			20		ns

NOTE:

A minimum RDS_{on} of 3 milli-ohms for the low side MOSFET is recommend when utilizing mode switching.

High Efficiency Advanced Feature 4-Channel PMIC

3.3.7 Core LDO

The core LDO generates the 2.5 V core supply for the digital.

Table 11: Electrical Characteristics $V_{DD} = 4.75$ to 5.25 V

Parameter	Description	Conditions	Min	Typ	Max	Unit
V_{DD}	Supply voltage		4.75		5.25	V
C_{IN}	Decoupling capacitor			1		μ F
C_{OUT}	Stabilization capacitor	(including voltage and temperature coefficient at 2.5 V)	-55 %	1	+35 %	μ F
	ESR resistance	F=1 MHz			0.1	Ω
I_{OUT_MAX}	Max output current				4	mA
I_Q	Quiescent current			7.5		μ A
I_{OUT_SHDN}	Shutdown current				6	nA
V_{OUT_LDO}	Output voltage	$I_{OUT} = I_{max}$	2.48	2.50	2.52	V

3.3.8 HV LDO

The HV LDO generates the 5 V supply for the analog blocks, HV controller and partially the HV controller driver.

Table 12: Electrical Characteristics

Parameter	Description	Conditions	Min	Typ	Max	Unit
V_{IN}	Input voltage		7		26	V
C_{OUT}	Stabilization capacitor (minimum capacitance to ensure stability)	(including voltage and temperature coefficient at 5 V)	-55 %	4.7	+35 %	μ F
	ESR of capacitor	F=1 MHz			0.1	Ω
V_{OUT}	Output Voltage	$V_{IN}=9$ V, 12 V, 26 V	4.98	5	5.1	V
I_Q	Quiescent current	$V_{IN}=9$ V, 12 V, 26 V $I_{load}=0$	7.2	7.5	8.3	μ A
I_{MAX}	Maximum Output Current	$V_{IN}=9$ V to 26 V			100	mA
$V_{OUT_TR_LOAD}$	Load transient response	$V_{IN} = 9$ V, 12 V, 26 V $I_{OUT} = 1$ μ A to I_{MAX} $t_r = t_f = 0.1$ μ s			90	mV
$V_{OUT_TR_LINE}$	Line transient response	$V_{IN} = 10.8$ V to 13.2 V 21.6 to 26.4 V $I_{OUT} = I_{MAX}$ $t_r = t_f = 10$ μ s			13	mV
T_{ON}	Turn on time	$V_{IN}=9$ V, 12 V, 26 V $V_{OUT}=10$ % to 90 % $I_{OUT}=0$ A		150	435	μ s

High Efficiency Advanced Feature 4-Channel PMIC

Parameter	Description	Conditions	Min	Typ	Max	Unit
I _{OFF}	Shut down current	V _{IN} = 9 V			2.2	μA
OVP	Over voltage protection			5.1		V
OCP	Over current protection			225		mA

3.3.9 Power on Reset

PV88080 POR is generated when the Vin_Supply pin voltage rises to 6.5 V. A POR event returns the chip to the NO POWER condition. All registers are cleared and the OTP is reloaded on the next start.

The hysteresis voltage of 500 mV maximum is implemented in PV88080.

Table 13: Electrical Characteristics

Parameter	Description	Conditions	Min	Typ	Max	Unit
V _{IN}	Input voltage		7		26	V
V _{DD}	Supply voltage		4.0		5.65	V
V _{REF}	Reference voltage		-1%	1.2	1%	V
	IBIAS current accuracy		-3		3	%
V _{POR_HI}	Upper POR threshold		6.5			V
V _{POR_HYS}	POR hysteresis voltage				500	mV

3.3.10 Supply Monitoring

The 5 V V_{DD} supply is monitored by the VDD fault comparator.

The circuits remain in the RESET state until 5 V has been established (V_{DD_FLT_LO}).

If the 5 V V_{DD} supply falls below V_{DD_FLT_TR} the input supply is too low, and a fault condition is generated.

Table 14: Electrical Characteristics V_{DD} = 4.75 to 5.25 V

Parameter	Description	Conditions	Min	Typ	Max	Unit
V _{POR_HI}	Upper POR threshold	Digital core supply	2.25	2.375	2.5	V
V _{POR_LO}	Lower POR threshold	Digital core supply		2.0		V
V _{DD_FLT}	V _{DD} fault			4.5		V
V _{DD_FLT_HYS}	V _{DD} fault hysteresis			100		mV
OT	Critical temperature		125	140	155	°C

High Efficiency Advanced Feature 4-Channel PMIC

3.3.11 Fault Condition

A fault condition is generated by:

- An over temperature event,
- An under voltage of the 5 V supply

If a fault condition is detected the chip will signal an alert to the other chip, then follow its power down sequence without waiting for the other chip. At the end of the power down sequence the chip moves to the RESET state.

In the RESET state the registers, apart from the fault log, are reset and the OTP is reloaded at start-up.

Table 15: Electrical Characteristics $V_{DD} = 4.75$ to 5.25 V

Parameter	Description	Conditions	Min	Typ	Max	Unit
V_{DD}	Supply voltage		4.75		5.25	V
$V_{DD_FLT_UPPER}$	V_{DD} fault upper			4.5		V
$V_{DD_FLT_LWR}$	V_{DD} fault lower			4.4		V
$V_{DD_FLT_CRIT}$	V_{DD} fault critical			4.2		V

3.3.12 Digital I/O Signals

Standby Pin (STBY)

The STBY pin is an input which controls the power up sequence of a system containing PV88080. If STBY=0 the power up sequence is followed to ACTIVE mode. If STBY=1 the power down sequence is followed to STANDBY mode. STBY should be 0 at power up so that the system boots when power is applied.

Interrupt Request (nIRQ)

The nIRQ is an active low output signal which indicates that an interrupt causing event has occurred and status information is available in the related registers. Such information can be temperature, voltage and over current fault conditions.

When an event bit is set the nIRQ signal is asserted (unless masked by a bit in the IRQ mask register), the nIRQ is not released until the event registers have been cleared by writing to the related register with an assigned '1' for the bit to be cleared. The event registers should be written in PAGE/REPEATED mode because the nIRQ is not cleared until all registers with an asserted event have been reset. New events that occur during writing to the registers are held until all the event registers have been written. Then they are passed to the event register, ensuring the SOC does not miss them.

There are also some reserved options for the digital pins function/definition which are programmable by the OTP memory. [Table 16](#) shows the list of the options, and the functionality can be realized for different applications with proper role combinations of the pins.

High Efficiency Advanced Feature 4-Channel PMIC

Table 16: GPIO Functions Summary

	Sequencer Control GPO	Voltage Selection for Buck1/2/3 (digital in)	MUTE flag (digital out)	TS 10 uA source current (analog in/out)	TS flag (digital out)	Normal GPIO (digital in/out)
GPIO_1 (pin GPIO1)	v	v	v			v
GPIO_2 (pin GPIO2)	v	v	v	v		v
GPIO_3/nIRQ (pin nIRQ)	v	v	v		v	v
GPIO_4/SDA (pin SDA)	v					

Table 17: Electrical Characteristics $V_{DD} = 4.75$ to 5.25 V

Parameter	Description	Conditions	Min	Typ	Max	Unit
V_{OH}	nIRQ Output high voltage	1 mA	$0.8 \cdot LDO_{2P5V}$		LDO_{2P5V}	V
V_{OL}	nIRQ Output low voltage	1 mA	0		0.3	V

High Efficiency Advanced Feature 4-Channel PMIC

4 Application Curves and Waveforms

TA = 25 °C, VIN_Supply = 12 V, VINBKx = 5 V, VOUT_HV = 5 V, VOUT_BK1=1.2 V, VOUT_BK2 =1.8 V, VOUT_BK3=3.3 V, FSW_LV = 500 KHz, FSW_LV = 1 MHz (unless otherwise noted)

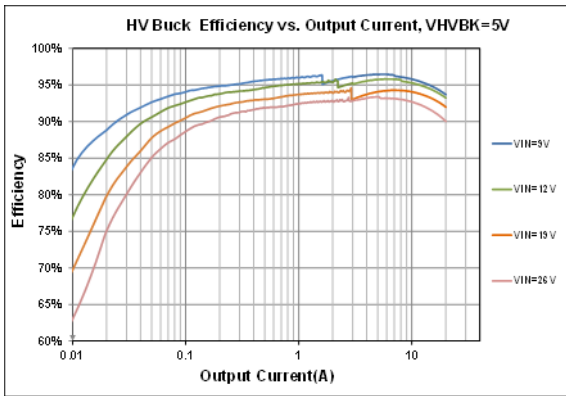


Figure 2: HV Buck Controller Efficiency

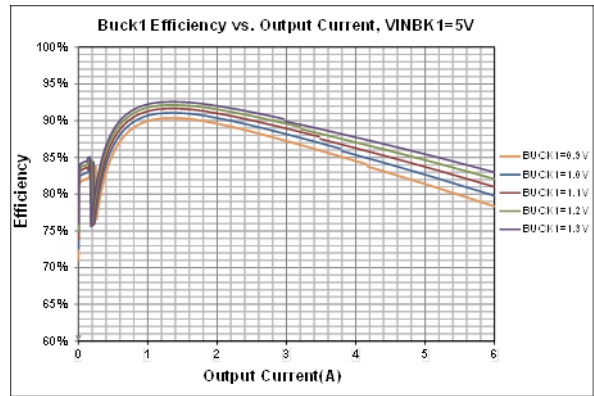


Figure 5: Buck1 Converter Efficiency

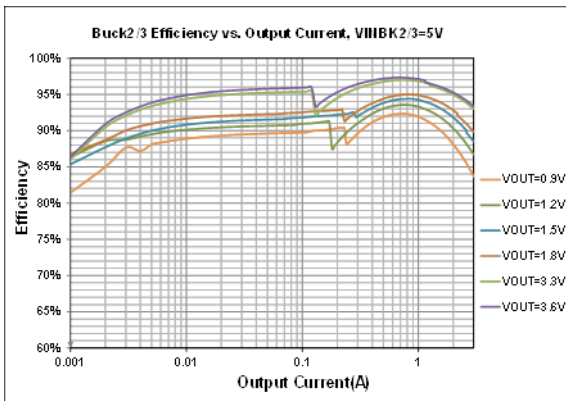


Figure 3: Buck2/3 Converter Efficiency

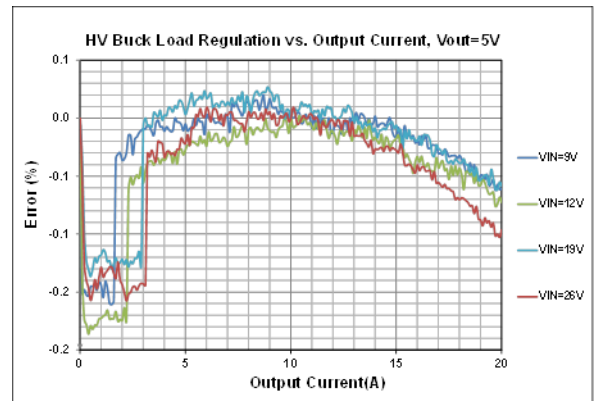


Figure 6: HV Buck Controller Load Regulation

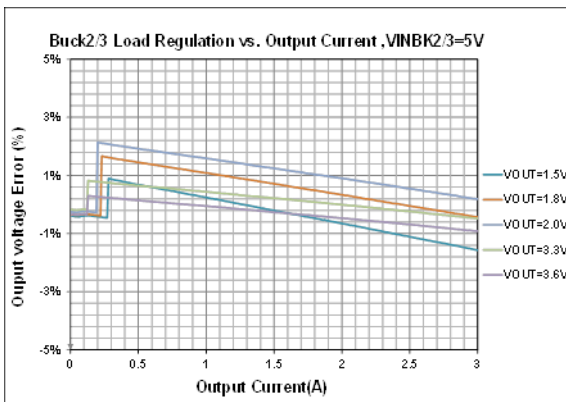


Figure 4: Buck1 Converter Load Regulation

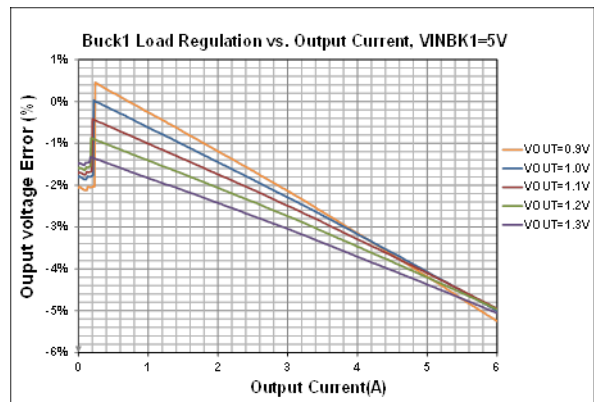


Figure 7: Buck2/3 Converter Load Regulation

High Efficiency Advanced Feature 4-Channel PMIC

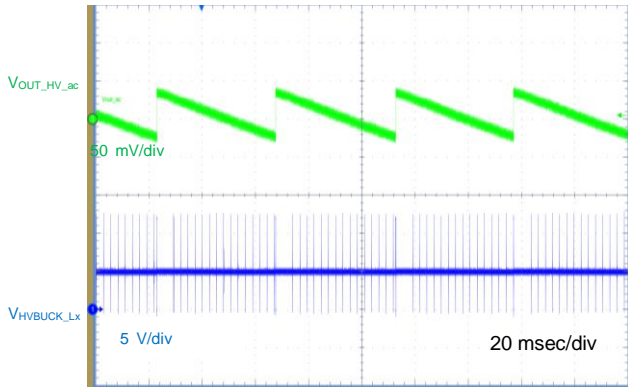


Figure 8: HVBUck Steady State Operation at No Load

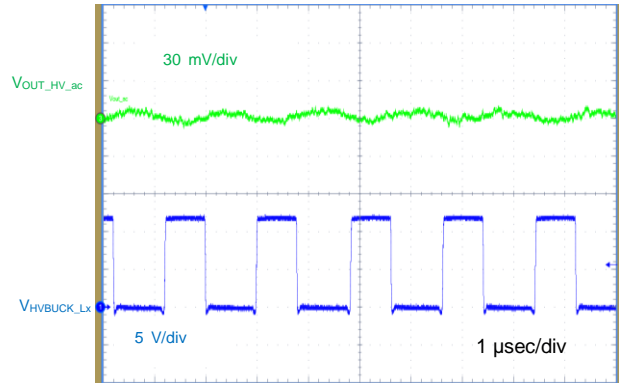


Figure 11: HVBUck Steady State Operation at 5 V, 20 A

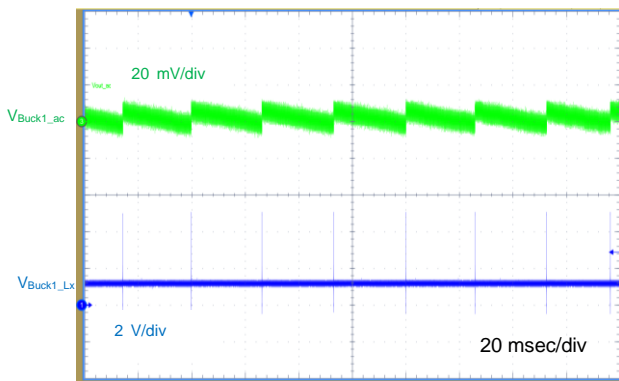


Figure 9: Buck1 Steady State Operation at No Load

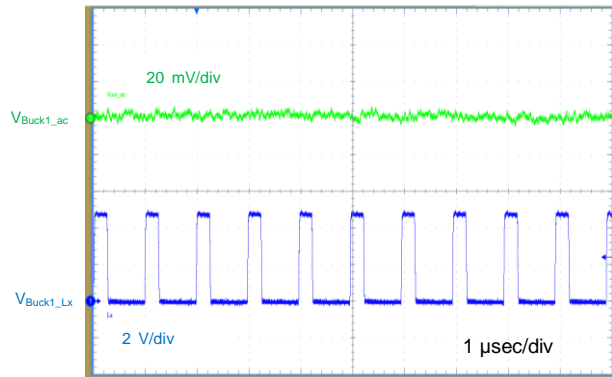


Figure 12: Buck1 Steady State Operation at 1.2 V, 5 A

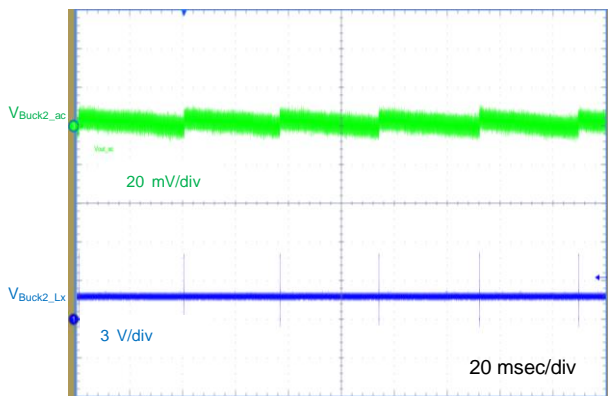


Figure 10: Buck2 Steady State Operation at No Load

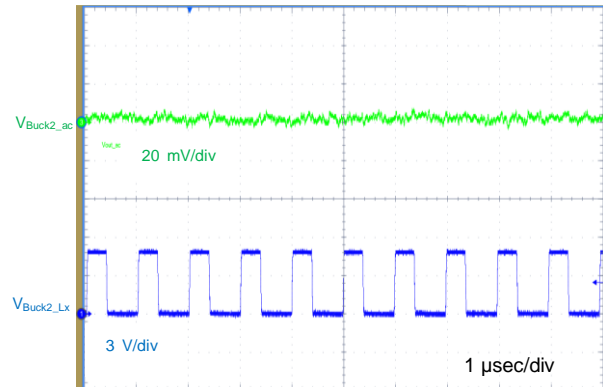


Figure 13: Buck2 Steady State Operation at 1.5 V, 2 A

High Efficiency Advanced Feature 4-Channel PMIC

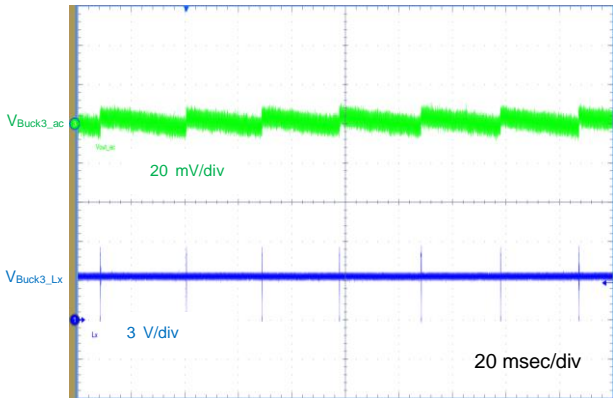


Figure 14: Buck3 Steady State Operation at No Load

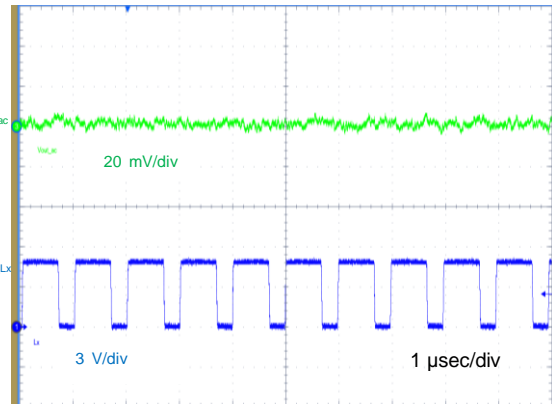


Figure 17: Buck3 Steady State Operation at 3.3 V, 2 A

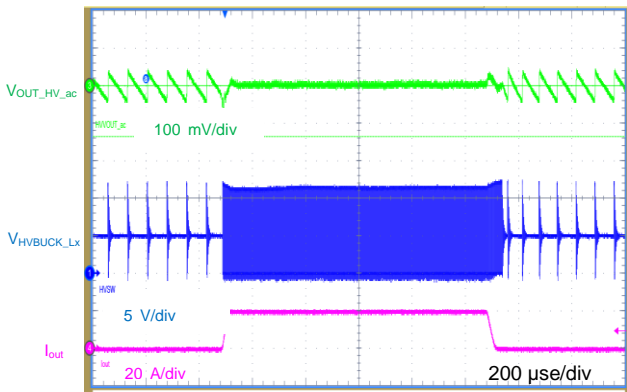


Figure 15: HVBuck Load Transient when $I_{OUT} = 1 \text{ mA}$ to 20 A

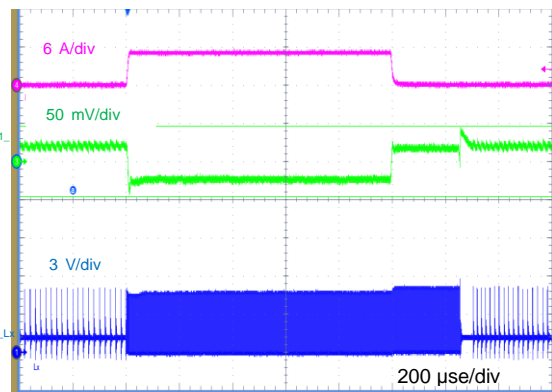


Figure 18: Buck1 Load Transient when $I_{OUT} = 1 \text{ mA}$ to 5 A

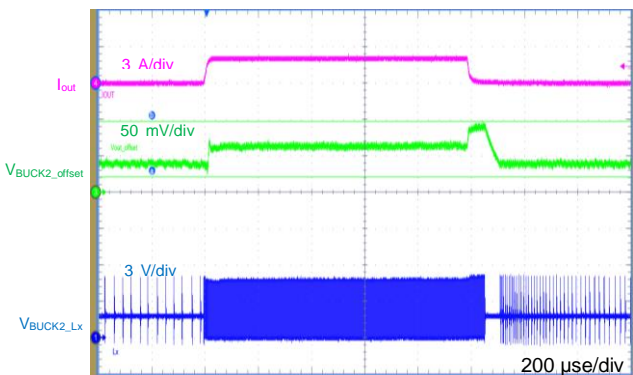


Figure 16: Buck2 Load Transient when $I_{OUT} = 1 \text{ mA}$ to 2 A

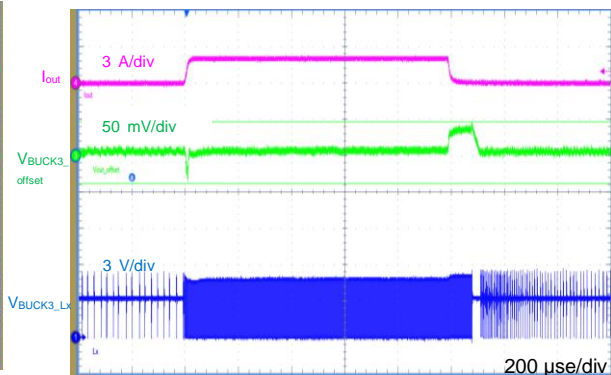


Figure 19: Buck3 Load Transient when $I_{OUT} = 1 \text{ mA}$ to 2 A

High Efficiency Advanced Feature 4-Channel PMIC

5 Functional Description

5.1 Operating Modes

5.1.1 NORMAL Mode - Default Power On Status

The default power up state is entered at start-up when VIN. Supply exceeds the POR threshold.

After start-up the SOC will either enable STANDBY mode, or configure the NORMAL operation mode via the I²C interface.

5.1.2 STANDBY Mode

STANDBY mode is entered when the STBY input pin is driven to 2.5 V.

In STANDBY mode the device enters a low power state.

The standby and I/O 5.0 V supplies are maintained by HVBUCK controller, HVLDO and LDO_Core.

The memory supplies from Buck 2, 3 are optionally maintained depending on OTP/I²C setting.

When the STBY pin is driven to 0 volts the system restarts NORMAL mode.

Table 18: Functional Block Mode of Operation

Block	Function	NORMAL Mode	STANDBY Mode
Buck 1	CORE	Enabled Voltage I ² C Default 1.2 V	Off
Buck 2	MEMORY	Enabled Voltage I ² C Default 1.8 V	I ² C Default Off Voltage I ² C Default 1.8 V
Buck 3	AUX	I ² C Default Off Voltage I ² C Default 3.3V	I ² C Default Off Voltage I ² C Default 3.3V
Serial Control	I ² C	Enabled	Enabled
Enable Control	STBY PIN	Enabled	Enabled
Interrupt	nIRQ PIN	Enabled	Enabled
Reference		Enabled	Enabled
Trimmed OSC		Enabled	Enabled
Internal digital supply		Enabled	Enabled

High Efficiency Advanced Feature 4-Channel PMIC

5.1.3 Power Sequence

The start-up sequence for a single PV88080 is summarized in [Table 19](#).

Table 19: PV88080 Start-Up Sequence

	Event	Action
1	VIN_Supply > 6.5 V	1. PV88080 POR, reset all register. 2. HVLDO generate 5 V supply.
2	HVLDO = 5.0 V	1. HVLDO = 5.0 V supplies bandgap reference voltage and bias current. 2. HVLDO = 5.0 V supply LDO_CORE to generate 2.5 V.
3	LDO_CORE = 2.5 V	LDO_CORE = 2.5 V supplies oscillator and entire digital IP
4	Digital circuitry is ready	1. Load OTP. 2. Enable / Disable block under I ² C control. 3. Digital circuitry turns on AVDD_HVBK pre-regulator and HV buck loop. 4. AVDD_HVBK pre-regulator POR triggered.
5	AVDD_HVBK pre-regulator POR triggered	Digital circuitry turns on HV buck driver -> generating 5 V supply
6	HV buck controller 5 V buck supply OK	Turn on the switch between VINBK1 and AVDD_HVBK -> Switch HV buck driver supply to controller 5 V supply
7	Digital turn on analog IP	After all LV buck V _{IN} UVLO, digital turns on the LV bucks sequentially determined by OTP or user application cases

The start-up sequence for multiple PV88080s are summarized in [Table 20](#).

Table 20: Start-Up sequence for multiple PV88080s

	Event	Action
1	VIN_Supply > 6.5 V	1. All PV88080 POR. Reset all registers in all PV88080. 2. HVLDO in each PV88080 generate 5 V supply.
2	HVLDO = 5.0 V	1. HVLDO = 5.0 V supplies bandgap reference voltage and bias current. 2. HVLDO = 5.0 V supply LDO_CORE to generate 2.5 V.
3	LDO_CORE = 2.5 V	LDO_CORE = 2.5 V supplies oscillator and entire digital IP
4	Digital circuitry is ready	1. Load OTP individually for all PV88080. 2. Enable / Disable block under I ² C control.
5	PV88080-1 ONLY	1. Digital circuitry turns on AVDD_HVBK pre-regulator and HV buck loop. 2. AVDD_HVBK pre-regulator POR triggered. 3. Digital circuitry turns on HV buck driver -> generating 5 V supply. 4. HV buck controller 5 V buck supply OK -> Turn on the switch between VINBK1 and AVDD_HVBK -> Switch HV buck driver supply to controller 5 V supply.
6	Digital turn on analog IP in ALL PV88080	Digital circuitry turns on the LV bucks sequentially determined by OTP or user application cases in ALL PV88080

High Efficiency Advanced Feature 4-Channel PMIC

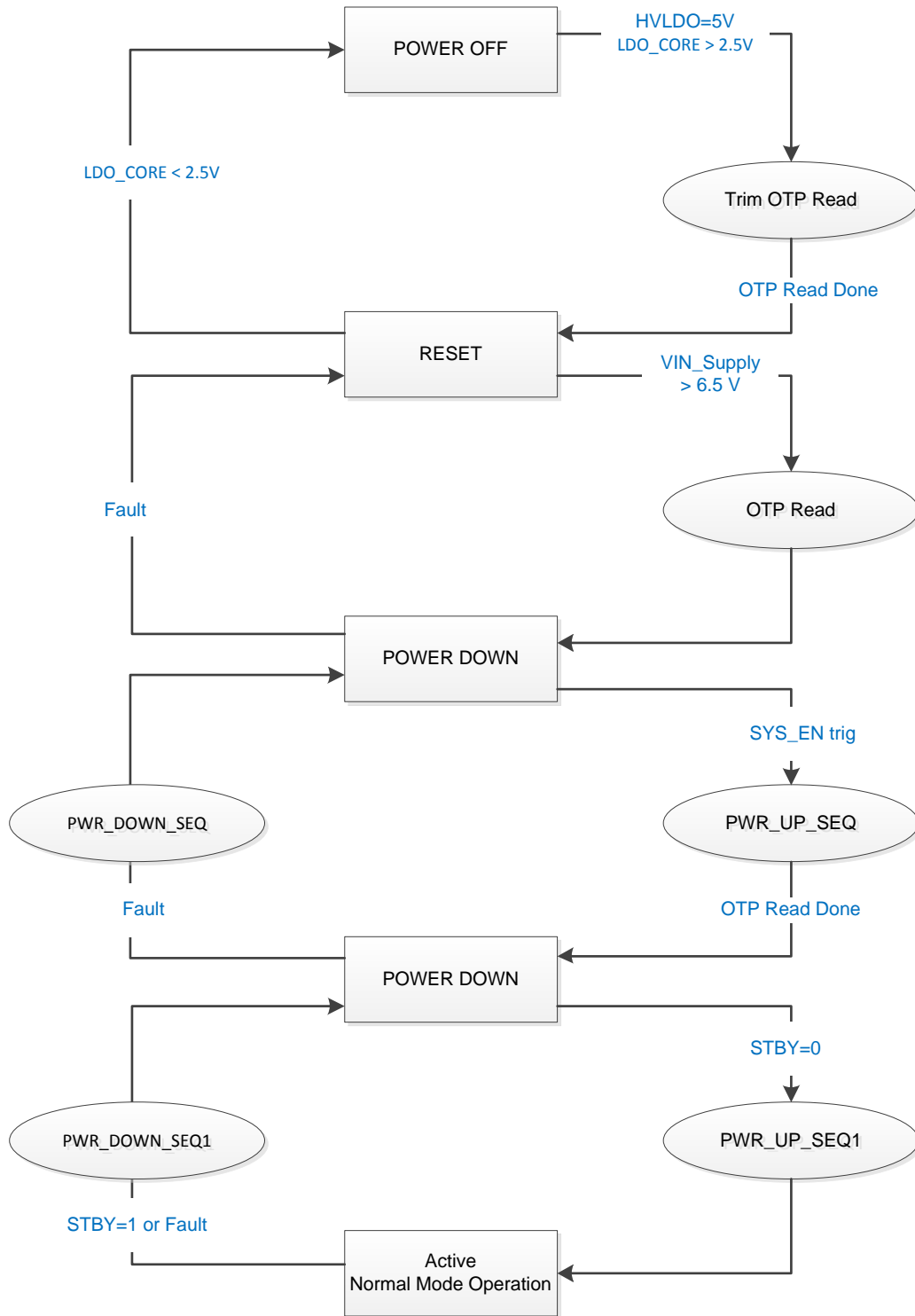


Figure 20: PV88080 Boot Sequence

High Efficiency Advanced Feature 4-Channel PMIC

5.2 Multiple PV88080 Power On/Off Behavior

For multiple PV88080 application, PV88080-1 acts as the master and the others act as the slaves.

The first PV88080 (PV88080-1) HV buck V_{OUT} range is 4.75 V to 5.25 V and supplies all the LV buck converters in all PV88080. The HVBUCK V_{OUT} from other PV88080 can be programmed to 0.9 V to 5.25 V. The PV88080-1 could configure one GPIO pin as the sequence control GPIO to connect the other PV88080's STDBY pin. Figure 20 shows the example of three PV88080 working together.

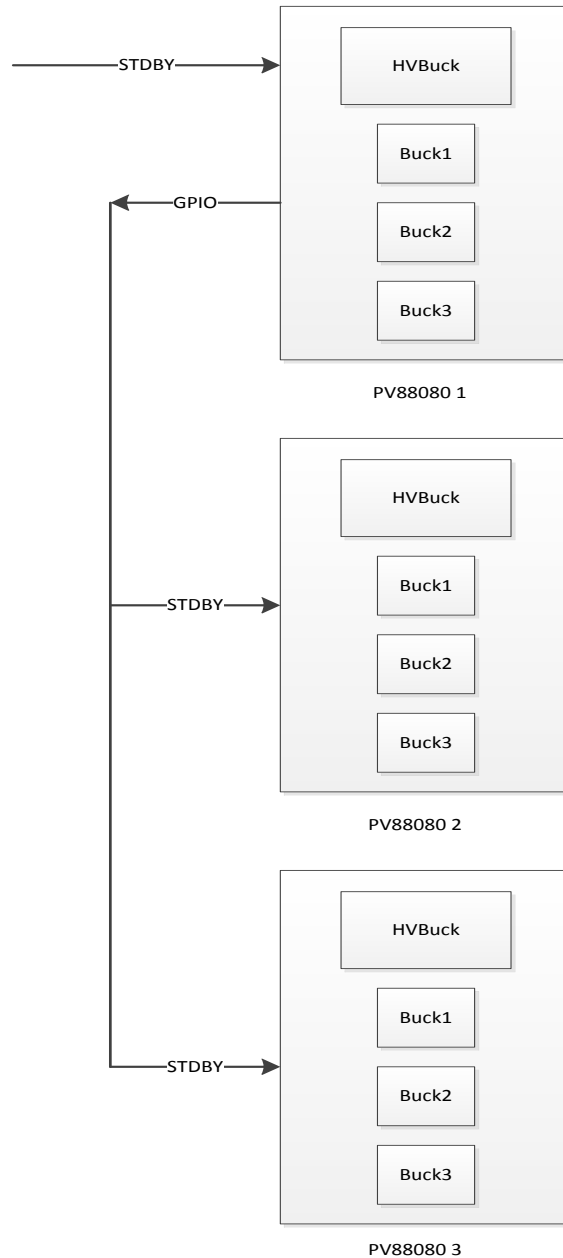


Figure 20: Proposal for mPV88080 Connection

High Efficiency Advanced Feature 4-Channel PMIC

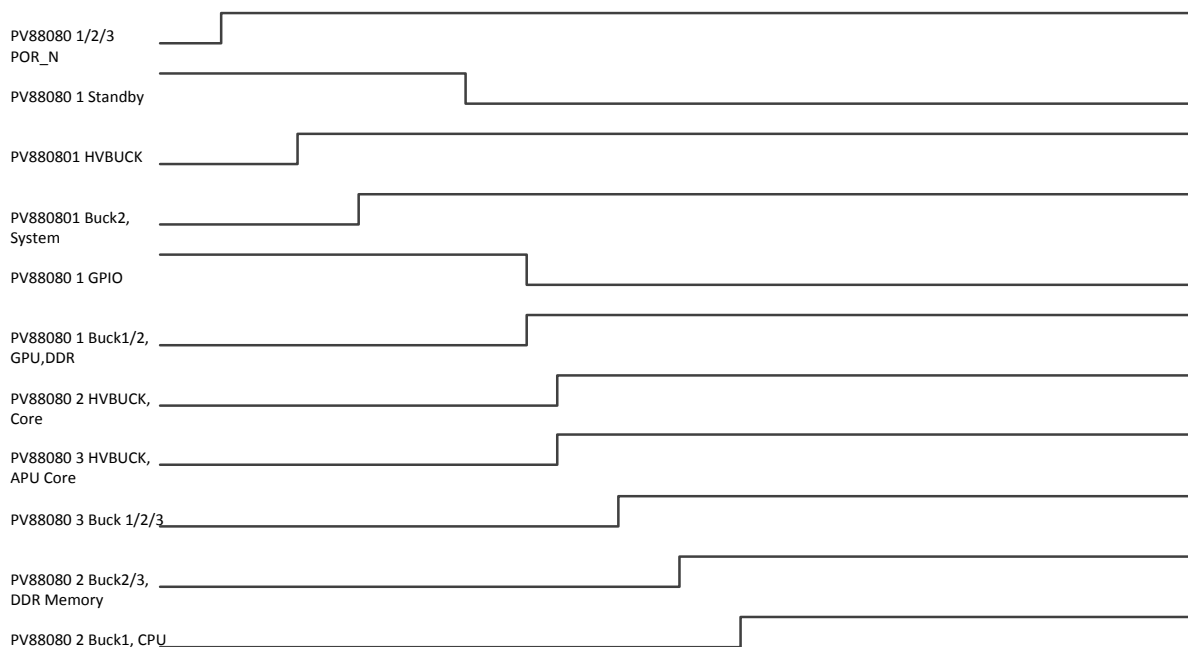


Figure 21: Multiple PV88080 Connection Power on Sequence

5.3 Multiple PV88080 Power On/Off Behavior

If a fault condition occurs when multiple PV88080 are connected, the behavior differs according to where the fault condition is. If a fault condition occurs in:

- PV88080-1 (master), all PV88080 are powered down and re-booted,
- other PV88080 (slaves), the power down and re-boot only happens in the PV88080 with the fault, the un-affected PV88080s stay powered up.

In the second example, however, the CPU or system can decide to power down and re-boot all PV88080s by asserting the PV88080-1 (master) standby pin.

5.4 HV Buck Controller Protection Behavior

5.4.1 Over-Voltage (OV) Protection

HVBUCK controller over-voltage protection is performed by comparing the VFB with internal DAC output.

Once the OV signal is triggered, the digital core sequentially soft stops all the rails and then the HVBUCK controller is also turned off.

After a short period of time (around ~10 ms), HVBUCK controller is automatically re-started and turns on all the rails. The OV detection / protection function is disabled during DVC stage.

For the OV register bit and threshold voltage, see Section 6.

High Efficiency Advanced Feature 4-Channel PMIC

5.4.2 Under-Voltage (UV) Protection

HVBUCK controller under-voltage protection is performed by comparing the VFB with internal DAC output.

Once the UV signal is triggered, the digital core sequentially soft stops all the rails and then the HVBUCK controller is also turned off.

After a short period of time (around ~10 ms), HVBUCK controller is automatically re-started and turns on all the rails.

The UV detection / protection function is disabled during DVC stage.

The UV filter time also applies to output Short Circuit Protection (SCP).

For the UV register bit and threshold voltage, see Section 6.

5.4.3 Positive Over-Current (P-OC) Protection

The positive over-current protection is achieved by detecting the voltage across the low side external NMOS V_{sd} ($=-I_L \cdot R_{DS_on}$) and compares this voltage to a pre-defined threshold. The inductor valley current is limited to the positive over-current threshold.

The positive over-current enable and threshold are configurable.

For the P-OC register bit and threshold voltage, see Section 6.

5.4.4 Negative Over-Current (N-OC) Protection

The negative over-current protection is achieved by detecting the voltage across the low side external NMOS V_{sd} ($=-I_L \cdot R_{DS_on}$) and compares this voltage to a pre-defined threshold. The inductor valley current is limited to the negative over-current threshold.

When the negative over-current is triggered, the buck controller IP turns off the low side external NMOS and turns on the high side external NMOS with normal on-time. This behavior is designed to avoid the inductor current flowing through the high side body diode.

The negative over-current enable and threshold are configurable.

For the N-OC register bit and threshold voltage, see Section 6.

5.4.5 Output Short Circuit Protection (SCP)

In the event of an output short, the PV88080 automatically enters SCP operation. There are several scenarios that can cause the device to enter SCP operation, which are shown in Figure 22 to Figure 27.

During normal start up, the output of the DAC ramps from 0V to 0.5V. Once the DAC output reaches 0.5 V, it stays at 0.5 V for 1 ms in order to check the SCP condition.

If $V_{FB} < 0.3 \text{ V}$ \Rightarrow output short is valid \Rightarrow $SCP=1$, set DAC output to 0 V. Digital core to shut down and then power up the PV88080.

If $V_{FB} > 0.3 \text{ V}$, DAC continue to ramp up to target V_{OUT} . Once the target V_{OUT} is reached, PowerGood signal is enabled and the protection threshold is changed from 0.3 V to UV threshold.

For the SCP, DAC and UV threshold related register bit, see Section 6.

High Efficiency Advanced Feature 4-Channel PMIC

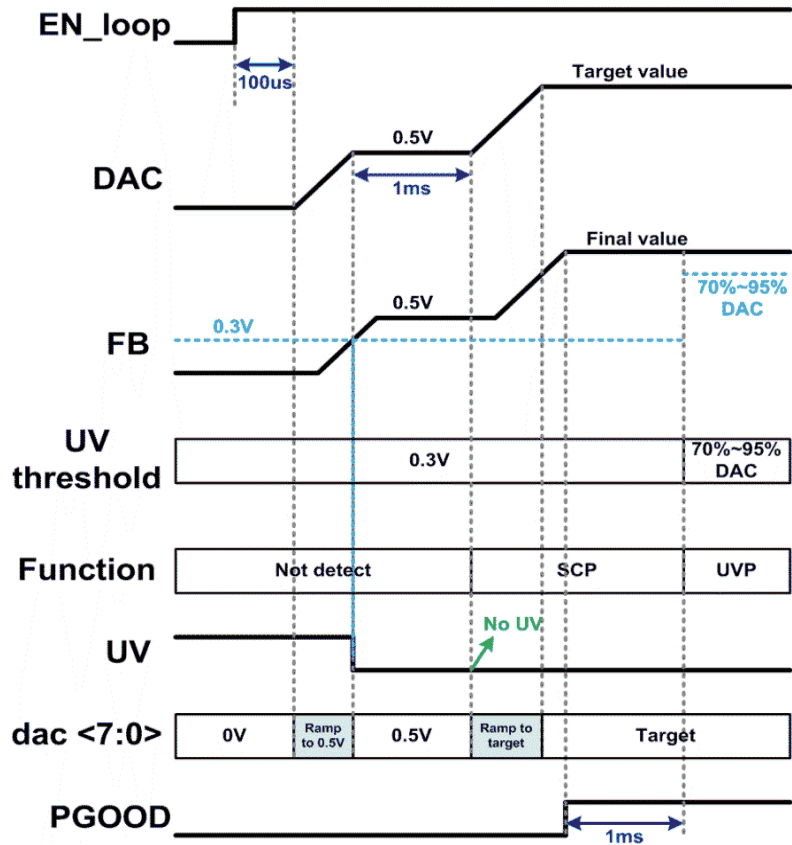


Figure 22: SCP - Normal Power On, no SCP/UVP is Triggered

High Efficiency Advanced Feature 4-Channel PMIC

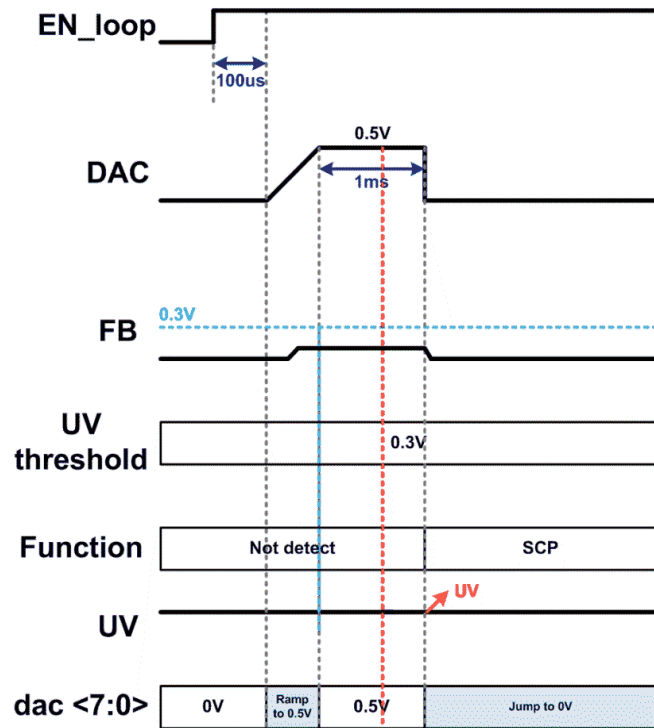


Figure 23: SCP - Short Circuit Occurs at the Beginning

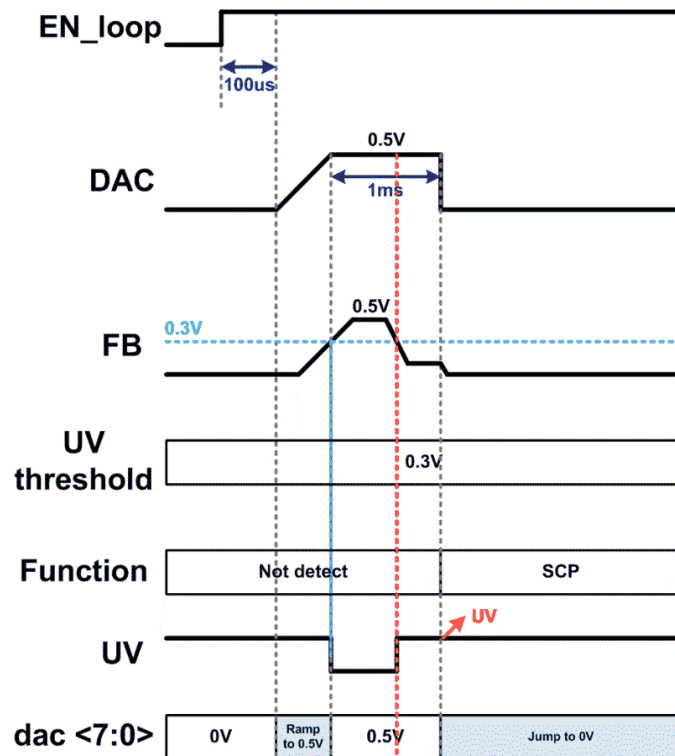


Figure 24: SCP - Short Circuit Occurs when V_DAC=0.5 V

High Efficiency Advanced Feature 4-Channel PMIC

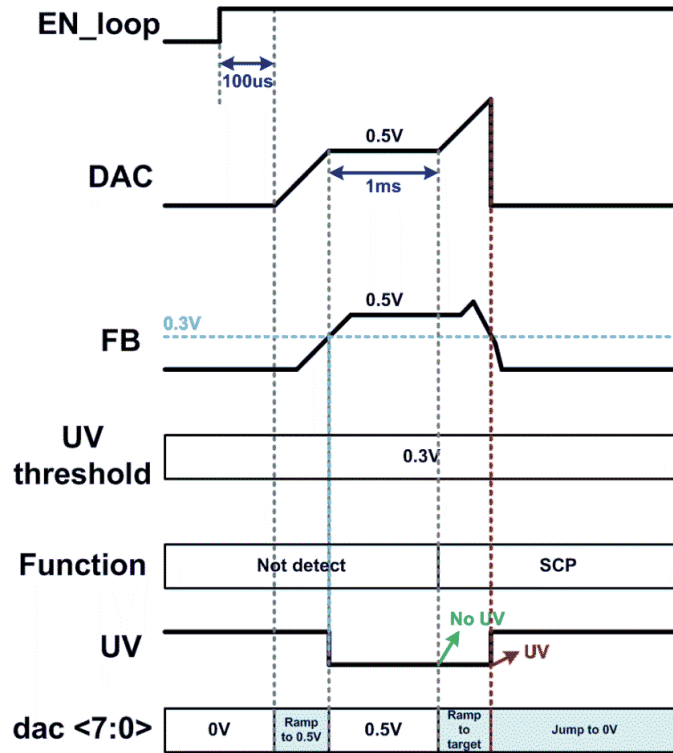


Figure 25: SCP - Short Circuit Occurs when V_DAC is Ramping Up

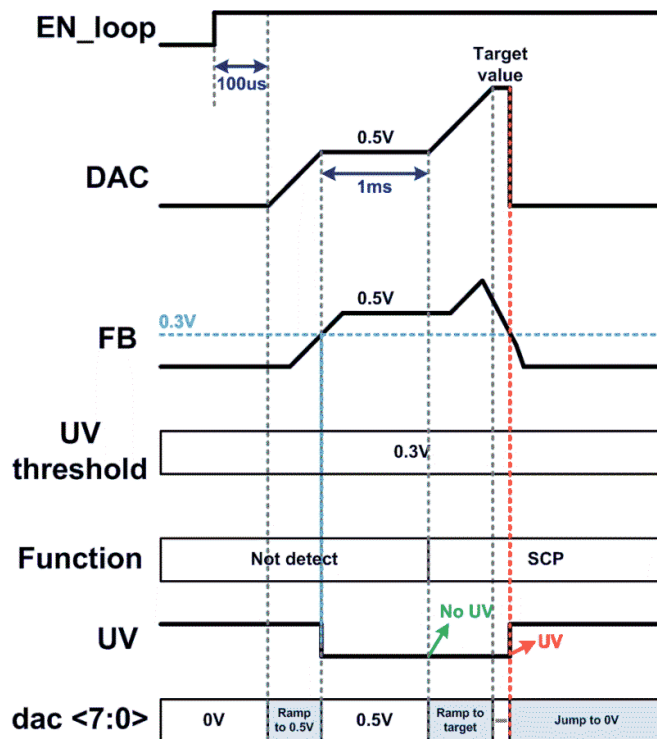


Figure 26: SCP - Short Circuit Occurs when V_DAC Ramps Up and Reaches the Target

High Efficiency Advanced Feature 4-Channel PMIC

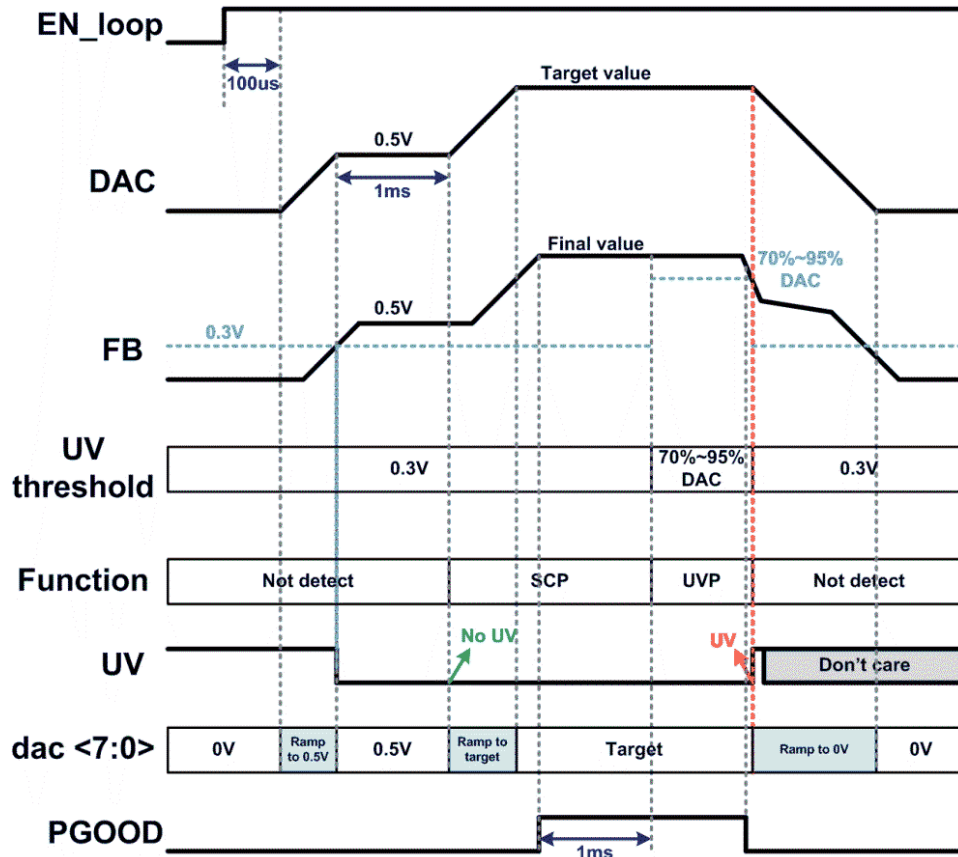


Figure 27: SCP - Under Voltage Protection (UVP)

5.5 Buck Converter Output Voltage Selection Function

This function allows the output voltage of the Buck converter to be changed through the digital pins GPIO1, GPIO2, or nIRQ without changing the OTP setting. Additionally the digital register GPIO_VBUCK_CONF can be used to determine which output voltage is applied to which GPIO pin.

For converter Buck2, there is another feature for voltage selection throughout the digital pins, see Table 21.

Table 21: Output Voltage Selection Function Summary of Buck2 Converter

Output Voltage Selection		
Buck2 Output Voltage	GPIO1 Pull Low	GPIO1 Pull High
GPIO2 Pull Low	VBuck2	VBuck2_ALT
GPIO2 Pull High	VBuck1_ALT	VBuck3_ALT

For the related register bits see Section 6.

High Efficiency Advanced Feature 4-Channel PMIC

5.6 MUTE Function

This feature provides detection of a low system supply voltage.. The PV88080 sends out a flag signal with programmable polarity through the digital pins GPIO1, GPIO2, or nIRQ according to the OTP settings. This flag signal can be used to control any audio related components as a shutdown signal to prevent any unwanted audio "popping" noise from occurring in the system.

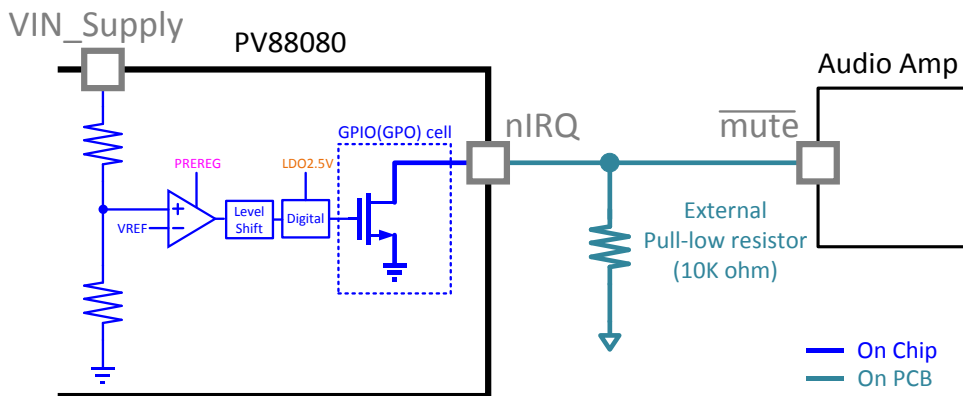


Figure 28: Typical Application of Mute Function

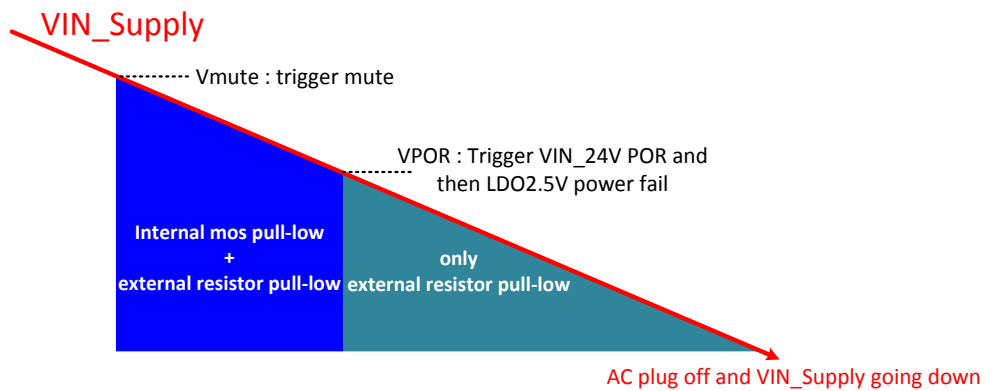


Figure 29: Mute Function Operation Level

High Efficiency Advanced Feature 4-Channel PMIC

5.6.1 MUTE Levels

Table 22: Electrical Characteristics $V_{DD} = 4.75$ to 5.25 V

Parameter	Description	Conditions	Min	Typ	Max	Unit
V_{MUTE}	MUTE detection level at VIN_Supply pin	mutelvl_sel = 00		8.5		V
		mutelvl_sel = 01		8		
		mutelvl_sel = 10		7.5		
		mutelvl_sel = 11		7		

5.6.2 Sequence of Power and Signals

For the typical application VIN_Supply and rise time, the PMIC keeps the MUTE flag for approximately 20 msec from digital reset/OT load start. This is to create a deglitch time period for the slow power ramp up. Then the MUTE level detection is enabled and the MUTE flag is set accordingly.

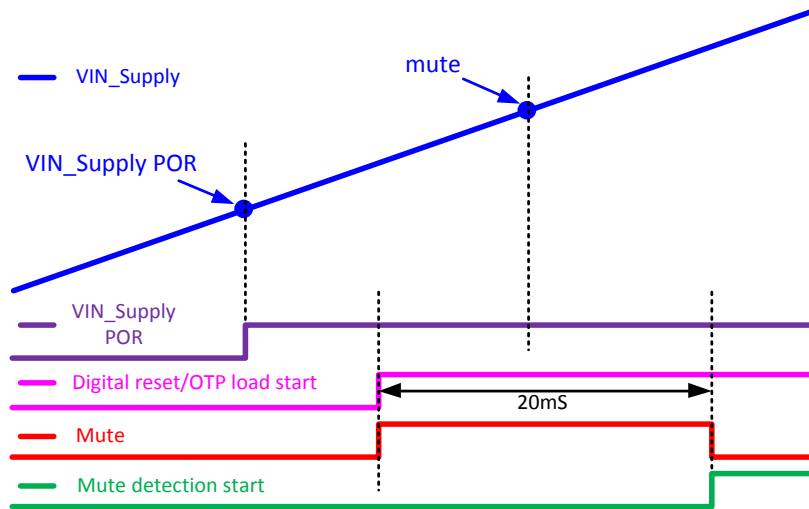


Figure 30: Sequence of Power and Signal - Condition I

Figure 32 depicts a condition where the input supply is not capable of reaching the desired voltage level and is held below the OTP programmed Mute level. In this situation, the Mute signal will be continuously asserted.

High Efficiency Advanced Feature 4-Channel PMIC

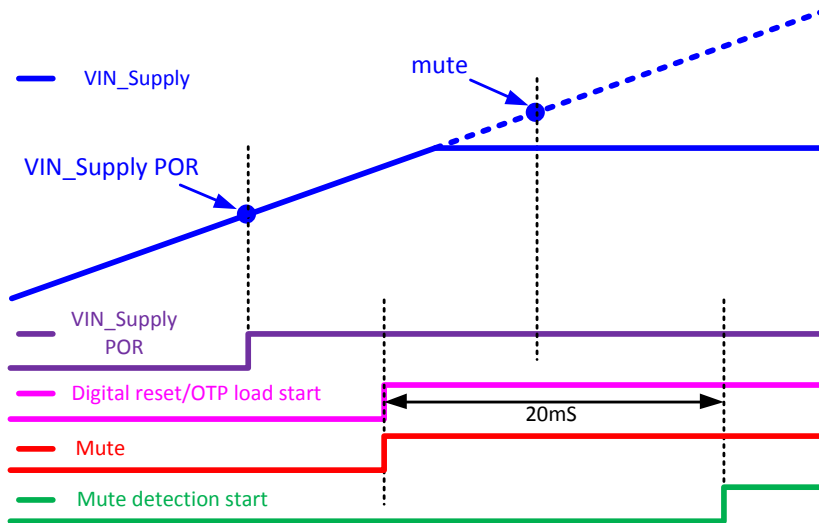


Figure 31: Sequence of Power and Signal - Condition II

The MUTE function has 200 us one-way deglitch time. Once the VIN_SUPPLY drops below MUTE level, the PMIC sends out the MUTE flag immediately. Only when VIN_SUPPLY returns higher than the MUTE level continuously over the 200 us deglitch time, will the PMIC release the MUTE flag signal.

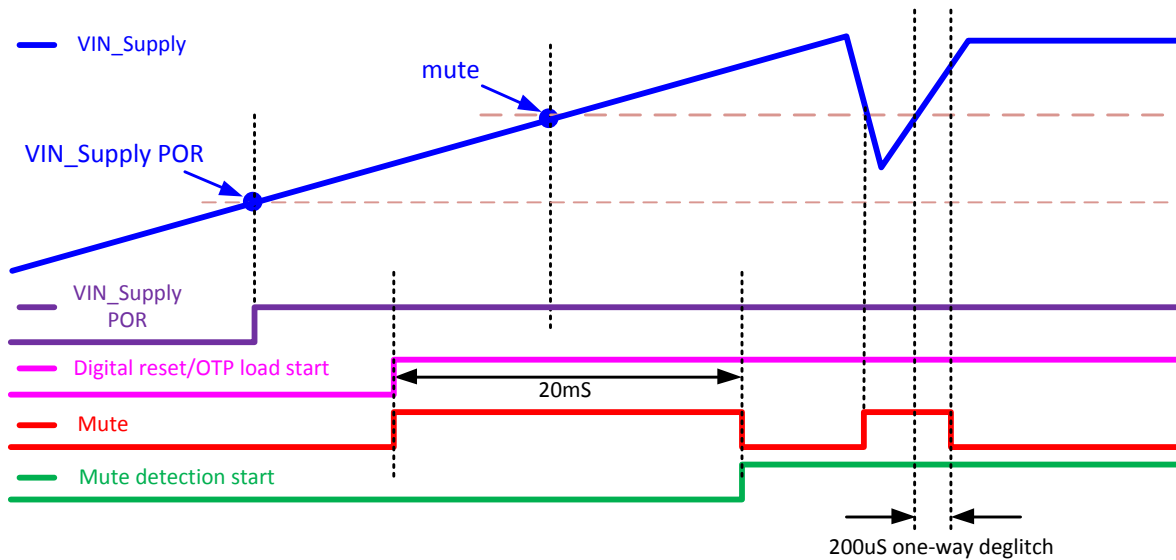


Figure 32: Sequence of Power and Signal - Condition III

The Mute function can also be used for power fail detection if the input supply voltage drops to levels programmed in Table 22.

High Efficiency Advanced Feature 4-Channel PMIC

5.7 Thermal Sensing and Power Fail Function

The internal comparator shown in Figure 33 and Figure 34 can be used to support multiple functions. Among these are power fail and thermal sensing. Figure 33 and Figure 34 illustrate how to connect GPIO2 pin to external passives to implement these two functions.

Figure 33 shows a typical NTC interface connected to the PV88080. This function provides thermal sensing for the system with an external NTC thermistor mounted on the system PCB where thermal conditions need to be sensed. With proper OTP setting, the PV88080 PMIC can source a 10 uA current through the GPIO2 pin. The voltage generated by the 10uA current source multiplied by the resistance (external resistor + external thermistor) at the pin GPIO2 is compared to the internal 1.2 V VREF, the PMIC will assert the nIRQ pin to the SOC system as an alert signal. The GPIO2 pin can also support power fail detection when configured as shown in Figure 34.

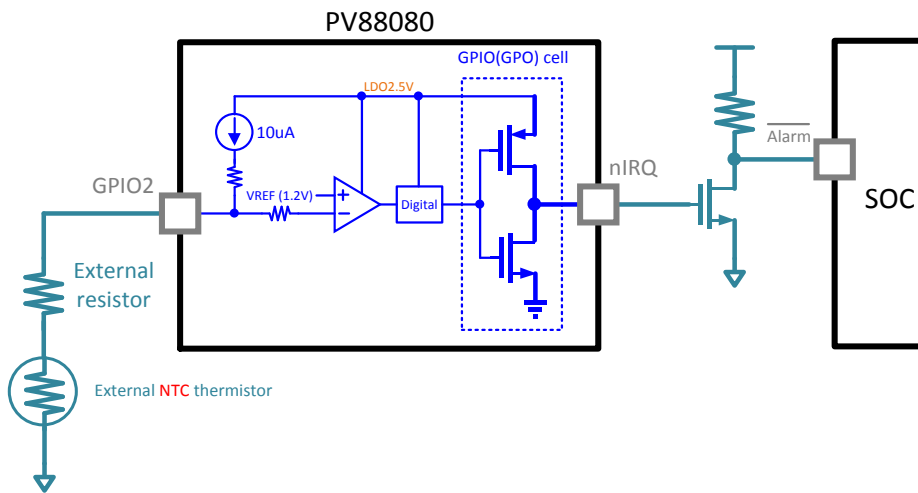


Figure 33: Typical application schematic of Thermal Sense Function

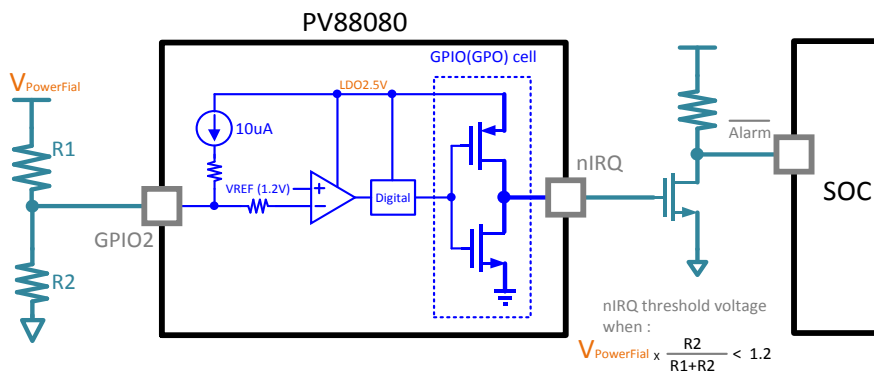


Figure 34: Typical application schematic of Power fail alarm

High Efficiency Advanced Feature 4-Channel PMIC

5.7.1 Function Description with Related Signals

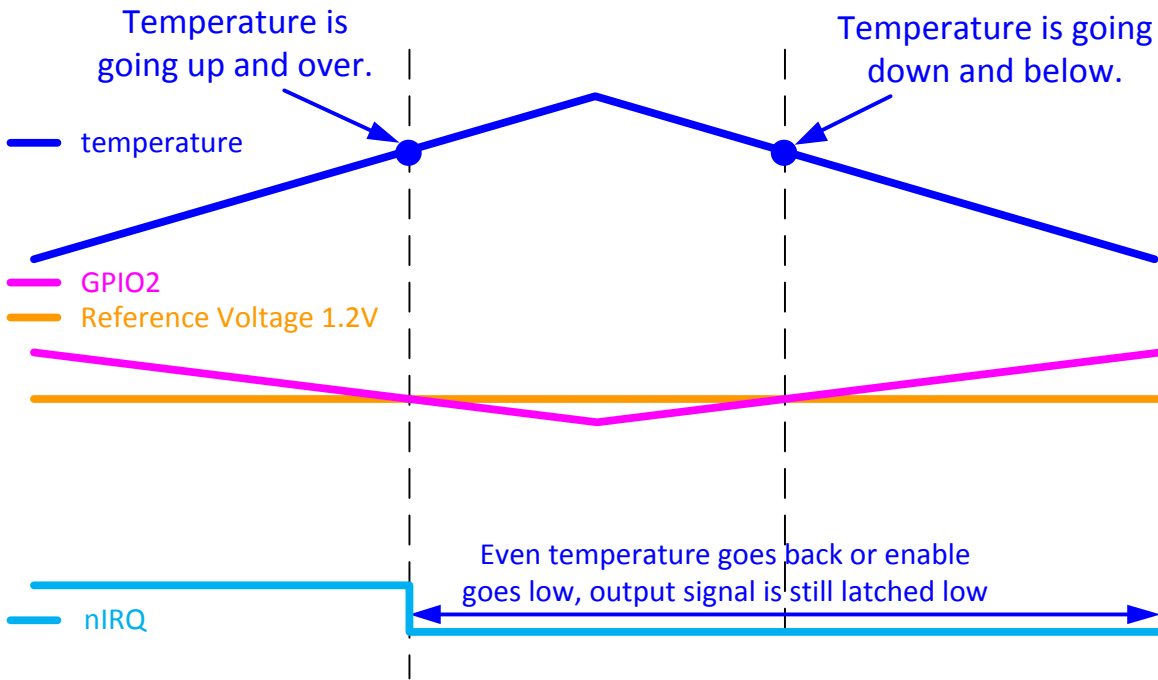


Figure 35: Thermal Sense Function Waveform

Table 23: Electrical Characteristics $V_{DD} = 4.75$ to 5.25 V

Parameter	Description	Conditions	Min	Typ	Max	Unit
ISRC	Source current for the external thermal sensing function		9.7	10	10.3	uA
VOT_THR	Over temperature threshold		1.164	1.2	1.236	V

High Efficiency Advanced Feature 4-Channel PMIC

5.8 2-Wire Interface

The 2-wire interface provides access to control and status registers. The interface supports operations compatible to standard, fast, fast-plus and high-speed mode of the I²C bus specification.

Communication on the 2-wire bus always takes place between two devices, one acting as the master and the other as the slave. The PV88080 will only operate as a slave. The 2-wire interface has direct access to two pages of the PV88080 register map (up to 256 addresses).

SCL carries the 2-wire clock and SDA carries the bi-directional data. The 2-wire interface is open-drain supporting multiple devices on a single line. The bus lines have to be pulled high by external pull-up resistors (2 kΩ to 20 kΩ). The attached devices only drive the bus lines low by connecting them to ground. As a result, two devices cannot conflict if they drive the bus simultaneously. In standard/fast mode the highest frequency of the bus is 400 kHz. The exact frequency can be determined by the application and it does not have any relation to the PV88080 internal clock signals. PV88080 follows the host clock speed within the described limitations and does not initiate any clock arbitration or slow down.

5.8.1 Details of the 2-Wire Protocol

All data is transmitted across the 2-wire bus in groups of 8 bits. To send a bit the SDA line is driven at the intended state while the SCL is low. Once the SDA has settled, the SCL line is brought high and then low. This pulse on SCL clocks the SDA bit into the receivers shift register.

A two-byte serial protocol is used containing one byte for address and one byte data. Data and address transfer is transmitted MSB first for both read and write operations. All transmission begins with the START condition from the master during which the bus is in IDLE state (the bus is free). It is initiated by a high-to-low transition on the SDA line while the SCL is in the high state. A STOP condition is indicated by a low-to-high transition on the SDA line while the SCL is in the high state. The START and STOP conditions are illustrated in [Figure 36](#).

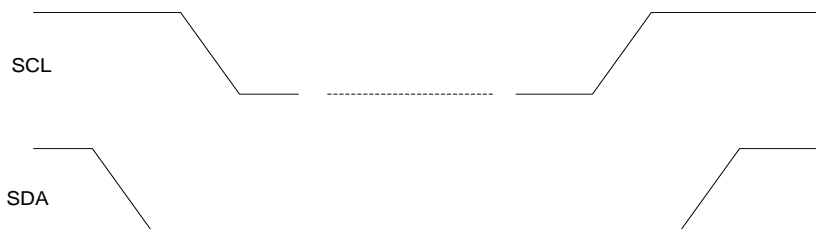


Figure 36: Timing of the START and STOP Conditions

The 2-wire bus will be monitored by PV88080 for a valid slave address whenever the interface is enabled. It responds immediately when it receives its own slave address. These acknowledge is done by pulling the SDA line low during the following clock cycle (white blocks marked with 'A' in the following figures).

The protocol for a register write from master to slave consists of a START condition, a slave address, a read/write-bit, 8-bit address, 8-bit data, and a STOP condition. All bytes are responded by PV88080 with an ACK. A register write operation is illustrated in [Figure 37](#).

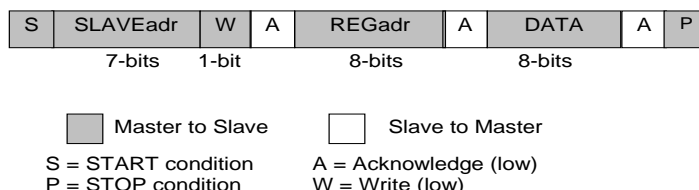


Figure 37: Byte Write Operation

High Efficiency Advanced Feature 4-Channel PMIC

When the host reads data from a register it first has to write access PV88080 with the target register address and then read access PV88080 with a repeated START or alternatively a second START condition. After receiving the data the host sends NACK and terminates the transmission with a STOP condition. This is illustrated in [Figure 38](#).

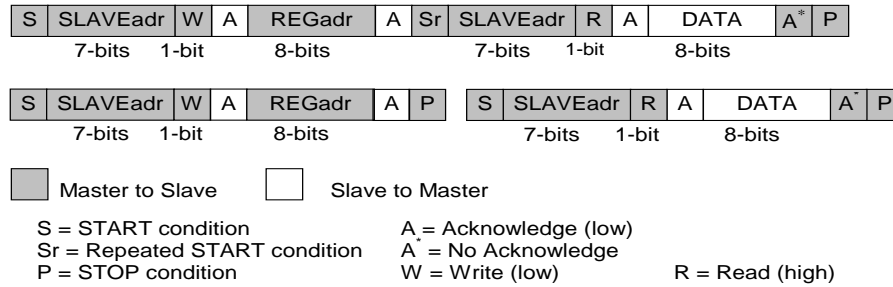


Figure 38: Examples of Byte Read Operations

Consecutive (page) read out mode is initiated from the master by sending an ACK instead of NACK after receiving a byte. This is illustrated in [Figure 39](#). The 2-wire control block then increments the address pointer to the next register address and sends the data to the master. This enables an unlimited read of data bytes until the master sends a NACK directly after receiving the data, followed by a subsequent STOP condition. If a non-existent 2-wire address is read out then the PV88080 will return code zero.

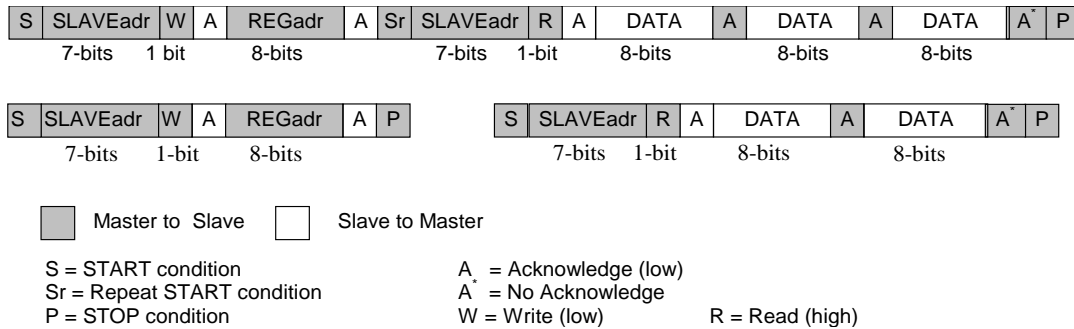


Figure 39: 2-Wire Page Read

The slave address after the Repeated START condition must be the same as the previous slave address.

Consecutive (page) write mode is supported if the master sends several data bytes following a slave register address. The 2-wire control block then increments the address pointer to the next 2-wire address, stores the received data and sends an ACK until the master sends a STOP condition. The page write mode is illustrated in [Figure 40](#).

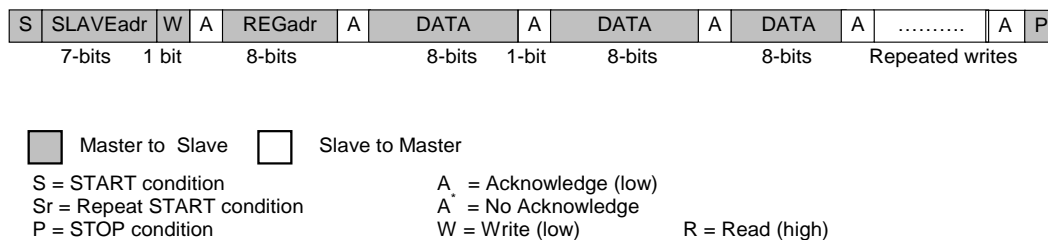


Figure 40: 2-Wire Page Write

High Efficiency Advanced Feature 4-Channel PMIC

Using the control WRITE_MODE a repeated write mode can be enabled. In this mode, the master can execute back-to-back write operations to non-consecutive addresses. This is achieved by transmitting register address and data pairs. The data is stored in the address specified by preceding byte. The repeated write mode is illustrated in [Figure 41](#).



Master to Slave Slave to Master
 S = START condition A = Acknowledge (low)
 Sr = Repeat START condition A' = No Acknowledge
 P = STOP condition W = Write (low) R = Read (high)

Figure 41: 2-Wire Repeated Write

If a new START or STOP condition occurs within a message, the bus returns to IDLE-mode.

High Efficiency Advanced Feature 4-Channel PMIC

6 Register Map

Register Status / Config	Addr	7	6	5	4	3	2	1	0
STATUS_A	0x0001	Reserved	Reserved	Reserved	Reserved	EXT_OT	SEQUENCING	OVER_TEMP	VDD_FLT
STATUS_B	0x0002	Reserved	Reserved	BUCK3_VOUT_SCP	BUCK2_VOUT_SCP	BUCK1_VOUT_SCP	HV_BUCK_SCP	HV_BUCK_UV	HV_BUCK_OV
STATUS_C	0x0003	Reserved	Reserved	BUCK3_VOUT_SCP_DROP_TIMEOUT	BUCK2_VOUT_SCP_DROP_TIMEOUT	BUCK1_VOUT_SCP_DROP_TIMEOUT	Reserved	GPIO_FLAG1	GPIO_FLAG0
EVENT_A	0x0004	Reserved	Reserved	Reserved	Reserved	E_EXT_OT	E_SEQ_RDY	E_OVER_TEMP	E_VDD_FLT
EVENT_B	0x0005	Reserved	Reserved	E_BUCK3_VOUT_SCP_FAIL	E_BUCK2_VOUT_SCP_FAIL	E_BUCK1_VOUT_SCP_FAIL	E_HV_BUCK_SCP_FAIL	E_HV_BUCK_UV_FAIL	E_HV_BUCK_OV_FAIL
EVENT_C	0x0006	Reserved	Reserved	E_BUCK3_VOUT_SCP_DROP_TIMEOUT_FAIL	E_BUCK2_VOUT_SCP_DROP_TIMEOUT_FAIL	E_BUCK1_VOUT_SCP_DROP_TIMEOUT_FAIL	Reserved	E_GPIO_FLAG1	E_GPIO_FLAG0
FAULT_LOG	0x0007	Reserved	Reserved	EXTERNAL_FAULT	HVBK_OV_FAULT	HVBK_UV_FAULT	HVBK_SCP_FAULT	OVER_TEMP	VDD_FAULT
FAULT_LOG_1	0x0008	Reserved	Reserved	BUCK3_SCP_DROP_TIMEOUT_FAULT	BUCK2_SCP_DROP_TIMEOUT_FAULT	BUCK1_SCP_DROP_TIMEOUT_FAULT	BUCK3_SCP_FAULT	BUCK2_SCP_FAULT	BUCK1_SCP_FAULT
IRQ_MASK_A	0x0009	Reserved	Reserved	Reserved	Reserved	M_EXT_OT	M_SEQ_RDY	M_OVER_TEMP	M_VDD_FLT
IRQ_MASK_B	0x000A	Reserved	Reserved	M_BUCK3_VOUT_SCP_FAIL	M_BUCK2_VOUT_SCP_FAIL	M_BUCK1_VOUT_SCP_FAIL	M_HV_BUCK_SCP_FAIL	M_HV_BUCK_UV_FAIL	M_HV_BUCK_OV_FAIL

High Efficiency Advanced Feature 4-Channel PMIC

Register Status / Config	Addr	7	6	5	4	3	2	1	0
IRQ_MAS K_C	0x000B	Reserved	Reserved	M_BUCK3_VOUT_S CP_DROP_TIMEOU T_FAIL	M_BUCK2_VOUT_S CP_DROP_TIMEOU T_FAIL	M_BUCK1_VOUT_S CP_DROP_TIMEOU T_FAIL	Reserved	M_GPIO_ FLAG1	M_GPIO_ FLAG0
CONTROL _A	0x000C	Reserved	Reserved 1	Reserved 1	Reserved	Reserved 0	Reserved 0	PWR_EN	SYS_EN
CONTROL _B	0x000D	Reserved 0	Reserved 0	WRITE_MODE	Reserved 0	Reserved	Reserved 1	Reserved	Reserved
CONTROL _C	0x000E	Reserved	Reserved	LDO_EN_PULLD OWN	HVLDO_EN_PULLD OWN	MUTELVL_SEL		EN_MUT E	Reserved 0
I2C_BASE _ADDR	0x0010	IF_BASE_ADDR			Reserved	Reserved	Reserved	Reserved	Reserved
GPIO									
Register	Addr	7	6	5	4	3	2	1	0
GPIO_DA TA_IN	0x0017	Reserved	Reserved	Reserved	Reserved	Reserved	GPIO_NIR Q_IN	GPIO_IN	
GPIO_DA TA_OUT	0x0018	Reserved	Reserved	Reserved	Reserved	GPO_SDA_OUT	GPIO_NIR Q_OUT	GPIO_OUT	
GPIO_0_C ONF	0x0019	GPIO_0_FUNC_SEL			GPIO_0_ACTIVE_L OW	GPIO_0_PD	GPIO_0_P U	GPIO_0_ PP	GPIO_0_ OUT_EN
GPIO_1_C ONF	0x001A	GPIO_1_FUNC_SEL			GPIO_1_ACTIVE_L OW	GPIO_1_PD	GPIO_1_P U	GPIO_1_ PP	GPIO_1_ OUT_EN
GPIO_NIR Q_CONF	0x001B	GPIO_NIRQ_FUNC_SEL			GPIO_NIRQ_ACTIV E_LOW	GPIO_NIRQ_PD	GPIO_NIR Q_PU	GPIO_NI RQ_PP	GPIO_NIR Q_OUT_E N

High Efficiency Advanced Feature 4-Channel PMIC

Register Status / Config	Addr	7	6	5	4	3	2	1	0
GPIO_VBUCK_CONFIG	0x001C	VBUCK2_U SE_2GPIO_SEL	GPO_SDA_ACTIVE_LOW	VBUCK3_GPIO_SEL		VBUCK2_GPIO_SEL		VBUCK1_GPIO_SEL	
GPIO_UP_SEQ_CONFIG	0x001D	GPIO_1_UP_STEP				GPIO_0_UP_STEP			
GPIO_DN_SEQ_CONFIG	0x001E	GPIO_1_DN_STEP				GPIO_0_DN_STEP			
GPO_SDA_SEQ_CONFIG	0x001F	GPO_SDA_DN_STEP				GPO_SDA_UP_STEP			
GPIO_NIRQ_SEQ_CONFIG	0x0020	GPIO_NIRQ_DN_STEP				GPIO_NIRQ_UP_STEP			
Sequencer									
Register	Addr	7	6	5	4	3	2	1	0
ID_0	0x0021	Reserved	Reserved	Reserved	Reserved	WAIT_ID_ALWAYS	Reserved 0	Reserved 0	Reserved 1
HV_BUCK_STEP	0x0022	HV_BUCK_STDBY_STEP				HV_BUCK_STEP			
BUCK_1_2_STEP	0x0024	BUCK2_STEP				BUCK1_STEP			
BUCK_3_STEP	0x0025	Reserved	Reserved	Reserved	Reserved	BUCK3_STEP			
SEQ_STATUS	0x0026	SEQ_POINTER				WAIT_STEP			

High Efficiency Advanced Feature 4-Channel PMIC

Register Status / Config	Addr	7	6	5	4	3	2	1	0
SEQ_A	0x0027	POWER_END				SYSTEM_END			
SEQ_B	0x0028	Reserved 0	Reserved 1	Reserved 0	Reserved 0	MAX_COUNT			
SEQ_TIMER	0x0029	SEQ_DUMMY				SEQ_TIME			
Supplies									
Register	Addr	7	6	5	4	3	2	1	0
BUCK1_CONF0	0x002A	BUCK1_EN	VBUCK1						
BUCK1_CONF0_ALT	0x002B	Reserved	VBUCK1_ALT						
BUCK1_CONF1	0x002C	BUCK1_PD_DIS	Reserved 0	Reserved 1	Reserved	BUCK1_SYNC_ILIM		BUCK1_MODE	
BUCK2_CONF0	0x002D	BUCK2_EN	VBUCK2						
BUCK2_CONF0_ALT	0x002E	Reserved	VBUCK2_ALT						
BUCK2_CONF1	0x002F	BUCK2_PD_DIS	Reserved 0	Reserved 1	Reserved	BUCK2_SYNC_ILIM		BUCK2_MODE	
BUCK3_CONF0	0x0030	BUCK3_EN	VBUCK3						

High Efficiency Advanced Feature 4-Channel PMIC

Register Status / Config	Adr	7	6	5	4	3	2	1	0
BUCK3_CONF0	0x0031	Reserved	VBUCK3_ALT						
BUCK3_CONF1	0x0032	BUCK3_PD_DIS	Reserved 0	Reserved 1	Reserved	BUCK3_SYNC_ILIM		BUCK3_MODE	
HVBUCK_CONF1	0x0033	VHVBUCK							
HVBUCK_CONF2	0x0034	Reserved 1	TON_CTRIM			VHVBUCK_SLEW_RATE			HVBUCK_EN
HVBUCK_CONF3	0x0035	Reserved 1	OV_TH		UV_TH			ITON_SCALE	
HVBUCK_CONF4	0x0036	Reserved	NEG_OC_TH			Reserved	POS_OC_TH		
HVBUCK_VSTDBY	0x0037	Reserved	Reserved	Reserved	Reserved	Reserved	VHVBUCK_STDBY		
HVBUCK_STATUS1	0x0038	Reserved	Reserved	HVBK_PGOOD	HVBK_DCM_STATE	HVBK_SCP_UV	HVBK_OV	LV_VBST_LOW	AVDD_HVBK_POR
Control									
Register	Adr	7	6	5	4	3	2	1	0
WAIT_CO NT	0x0039	WAIT_DIR	Reserved 0	Reserved 1	Reserved 1	DELAY_TIME			
StandBy Interface									
Register	Adr	7	6	5	4	3	2	1	0

High Efficiency Advanced Feature 4-Channel PMIC

Register Status / Config	Addr	7	6	5	4	3	2	1	0
STBY_CONF	0x0049	Reserved	Reserved	Reserved	Reserved	Reserved	Reserved 0	Reserved 0	PSC_EN
Test Registers									
Register	Addr	7	6	5	4	3	2	1	0
BUCK1_CONF2	0x005A	BUCK1_VDAC_RANGE	Reserved 0	Reserved 0	Reserved 1	Reserved 1	Reserved 0	Reserved 1	Reserved 0
BUCK1_CONF5	0x005D	Reserved 0	Reserved 0	Reserved 0	Reserved 0	Reserved 0	Reserved 0	Reserved 0	BUCK1_VRANGE_GAIN
BUCK2_CONF2	0x0063	BUCK2_VDAC_RANGE	Reserved 0	Reserved 0	Reserved 1	Reserved 1	Reserved 0	Reserved 1	Reserved 0
BUCK2_CONF5	0x0066	Reserved 0	Reserved 0	Reserved 0	Reserved 0	Reserved 0	Reserved 0	Reserved 0	BUCK2_VRANGE_GAIN
BUCK3_CONF2	0x006C	BUCK3_VDAC_RANGE	Reserved 0	Reserved 0	Reserved 1	Reserved 1	Reserved 0	Reserved 1	Reserved 0
BUCK3_CONF5	0x006F	Reserved 0	Reserved 0	Reserved 0	Reserved 0	Reserved 0	Reserved 0	Reserved 0	BUCK3_VRANGE_GAIN
HVBUCK_CONF5	0x0079	EN_UV	EN_OV	HVBUCK_EN_SCP	Reserved 1	Reserved 0	Reserved 0	Reserved 0	Reserved 0
HVBUCK_CONF6	0x007A	EN_NEG_OC	EN_POS_OC	Reserved	Reserved 0	Reserved 1	Reserved 1	Reserved 0	Reserved 0
HVBUCK_CONF7	0x007B	Reserved	Reserved	Reserved	TON_REF_SEL_DCM			Reserved 0	Reserved 1

High Efficiency Advanced Feature 4-Channel PMIC

Register Status / Config	Addr	7	6	5	4	3	2	1	0
HVBUCK_CONF16	0x0084	Reserved	DRVH_DET_FALL_DLY			Reserved 0	Reserved 1	DRVH_DRV2	
HVBUCK_CONF17	0x0085	DRVH_DRV1_DRV3		DRVHR_DLY3		DRVHR_DLY2		DRVHR_DLY1	
HVBUCK_CONF18	0x0086	Reserved	DRVL_DET_FALL_DLY			Reserved 0	Reserved 1	DRVL_DRV	
HVBUCK_CONF19	0x0087	DRVL_DLY		DRVHF_DLY3		DRVHF_DLY2		DRVHF_DLY1	
HVBUCK_CONF27	0x008F	Reserved 0	Reserved 1	Reserved 1	Reserved 1	Reserved 1	Reserved 1	EN_PULL_LOW	Reserved 0
HVBUCK_CONF29	0x0091	Reserved 0	Reserved 0	Reserved 0	Reserved 1	Reserved 1	Reserved 1	Reserved 0	EN_PWR_SW

High Efficiency Advanced Feature 4-Channel PMIC

6.1 Status and Configuration

6.1.1 Register STATUS_A

Address	Name	POR value	Status
0x0001	STATUS_A	0x00	

7	6	5	4	3	2	1	0
Reserved	Reserved	Reserved	Reserved	EXT_OT	SEQUENCING	OVER_TMP	VDD_FLT

Field Name	Bits	Type	POR	Description	
EXT_OT	[3]	RO	0x0	Indicates for external Over temperature	
				Value	Description
				0x0 (POR)	0:Normal
				0x1	1:Fault External Over Temp
SEQUENCING	[2]	RO	0x0	Indicates when the Main FSM is busy	
				Value	Description
				0x0 (POR)	0:Normal
				0x1	1:Sequence Running
OVER_TMP	[1]	RO	0x0	Indicates an Over temperature on the PMIC	
				Value	Description
				0x0 (POR)	0: Normal
				0x1	1:Fault Over Temp
VDD_FLT	[0]	RO	0x0	VDD level	
				Value	Description
				0x0 (POR)	0:VDD Fault
				0x1	1:Normal

6.1.2 Register STATUS_B

Address	Name	POR value	Status
0x0002	STATUS_B	0x00	

7	6	5	4	3	2	1	0
Reserved	Reserved	BUCK3_VOUT_SCP	BUCK2_VOUT_SCP	BUCK1_VOUT_SCP	HV_BUCK_SCP	HV_BUCK_UV	HV_BUCK_OV

Field Name	Bits	Type	POR	Description	
BUCK3_VOUT_SCP	[5]	RO	0x0	Buck3 SCP occurs	
				Value	Description
				0x0	0:Buck3 SCP does not occur

High Efficiency Advanced Feature 4-Channel PMIC

Field Name	Bits	Type	POR	Description
				(POR) 0x1 1:Buck3 SCP occurs
BUCK2_VOUT_SCP	[4]	RO	0x0	Buck2 SCP occurs Value Description 0x0 (POR) 0:Buck2 SCP does not occur 0x1 1:Buck2 SCP occurs
BUCK1_VOUT_SCP	[3]	RO	0x0	Buck1 SCP occurs Value Description 0x0 (POR) 0:Buck1 SCP does not occur 0x1 1:Buck1 SCP occurs
HV_BUCK_SCP	[2]	RO	0x0	HV Buck SCP occurs Value Description 0x0 (POR) 0:HV Buck SCP does not occur 0x1 1:HV Buck SCP occurs
HV_BUCK_UV	[1]	RO	0x0	HV Buck UV occurs Value Description 0x0 (POR) 0:HV Buck UV does not occur 0x1 1:HV Buck UV occurs
HV_BUCK_OV	[0]	RO	0x0	HV Buck OV occurs Value Description 0x0 (POR) 0:HV Buck OV does not occur 0x1 1:HV Buck OV occurs

6.1.3 Register STATUS_C

Address	Name	POR value	Status
0x0003	STATUS_C	0x00	

7	6	5	4	3	2	1	0
Reserve	Reserve	BUCK3_VOUT_SCP_DROP_TIMEOUT	BUCK2_VOUT_SCP_DROP_TIMEOUT	BUCK1_VOUT_SCP_DROP_TIMEOUT	Reserve	GPIO_FLAG1	GPIO_FLAG0

Field Name	Bits	Type	POR	Description
				Buck3 SCP drop timeout occurs Value Description 0x0 (POR) 0:Buck3 SCP drop timeout does not occur 0x1 1:Buck3 SCP drop timeout occurs
BUCK3_VOUT_SCP_DROP_TIMEOUT	[5]	RO	0x0	

High Efficiency Advanced Feature 4-Channel PMIC

Field Name	Bits	Type	POR	Description	
BUCK2_VOUT_SCP_DROP_TIMEOUT	[4]	RO	0x0	Buck2 SCP drop timeout occurs	
				Value	Description
				0x0 (POR)	0:Buck2 SCP drop timeout does not occur
				0x1	1:Buck2 SCP drop timeout occurs
BUCK1_VOUT_SCP_DROP_TIMEOUT	[3]	RO	0x0	Buck1 SCP drop timeout occurs	
				Value	Description
				0x0 (POR)	0:Buck1 SCP drop timeout does not occur
				0x1	1:Buck1 SCP drop timeout occurs
GPIO_FLAG1	[1]	RO	0x0	GPIO_1 event flag	
				Value	Description
				0x0 (POR)	0:Normal
				0x1	1:Status GPIO_1
GPIO_FLAG0	[0]	RO	0x0	GPIO_0 event flag	
				Value	Description
				0x0 (POR)	0:Normal
				0x1	1:Status - GPIO_0

6.1.4 Register EVENT_A

Address	Name	POR value	IRQ event
0x0004	EVENT_A	0x00	

7	6	5	4	3	2	1	0
Reserved	Reserved	Reserved	Reserved	E_EXT_OT	E_SEQ_RDY	E_OVER_TMP	E_VDD_FLT

Field Name	Bits	Type	POR	Description	
E_EXT_OT	[3]	RW W1CL	0x0	Event caused by External Temperature rising above threshold	
				Value	Description
				0x0 (POR)	0:Normal
				0x1	1:Event External Over Temp
E_SEQ_RDY	[2]	RW W1CL	0x0	Main FSM has performed an up Sequence	
				Value	Description
				0x0 (POR)	0:Normal
				0x1	1:Event Sequencing
E_OVER_TMP	[1]	RW W1CL	0x0	Event caused by Temperature rising above threshold	
				Value	Description
				0x0 (POR)	0:Normal

High Efficiency Advanced Feature 4-Channel PMIC

Field Name	Bits	Type	POR	Description
				0x1 1:Event Over Temp
E_VDD_FLT	[0]	RW W1CL	0x0	Event caused by VDD level dropping below threshold
				Value Description
				0x0 (POR) 0:Normal
				0x1 1:Event Low VDD

High Efficiency Advanced Feature 4-Channel PMIC

6.1.5 Register EVENT_B

Address	Name	POR value	IRQ event
0x0005	EVENT_B	0x00	

7	6	5	4	3	2	1	0
Reserved	Reserved	E_BUCK3_VOUT_SCP_FAIL	E_BUCK2_VOUT_SCP_FAIL	E_BUCK1_VOUT_SCP_FAIL	E_HV_BUCK_SCP_FAIL	E_HV_BUCK_UV_FAIL	E_HV_BUCK_OV_FAIL

Field Name	Bits	Type	POR	Description						
E_BUCK3_VOUT_SCP_FAIL	[5]	RW W1CL	0x0	Event caused by falling edge of BUCK3_VOUT_SCP signal debounced by 10 us <table border="1"> <thead> <tr> <th>Value</th> <th>Description</th> </tr> </thead> <tbody> <tr> <td>0x0 (POR)</td> <td>0:Normal</td> </tr> <tr> <td>0x1</td> <td>1:Event Buck3 Fault</td> </tr> </tbody> </table>	Value	Description	0x0 (POR)	0:Normal	0x1	1:Event Buck3 Fault
Value	Description									
0x0 (POR)	0:Normal									
0x1	1:Event Buck3 Fault									
E_BUCK2_VOUT_SCP_FAIL	[4]	RW W1CL	0x0	Event caused by falling edge of BUCK2_VOUT_SCP signal debounced by 10us <table border="1"> <thead> <tr> <th>Value</th> <th>Description</th> </tr> </thead> <tbody> <tr> <td>0x0 (POR)</td> <td>0:Normal</td> </tr> <tr> <td>0x1</td> <td>1:Event Buck2 Fault</td> </tr> </tbody> </table>	Value	Description	0x0 (POR)	0:Normal	0x1	1:Event Buck2 Fault
Value	Description									
0x0 (POR)	0:Normal									
0x1	1:Event Buck2 Fault									
E_BUCK1_VOUT_SCP_FAIL	[3]	RW W1CL	0x0	Event caused by falling edge of BUCK1_VOUT_SCP signal debounced by 10 us <table border="1"> <thead> <tr> <th>Value</th> <th>Description</th> </tr> </thead> <tbody> <tr> <td>0x0 (POR)</td> <td>0:Normal</td> </tr> <tr> <td>0x1</td> <td>1:Event Buck1 Fault</td> </tr> </tbody> </table>	Value	Description	0x0 (POR)	0:Normal	0x1	1:Event Buck1 Fault
Value	Description									
0x0 (POR)	0:Normal									
0x1	1:Event Buck1 Fault									
E_HV_BUCK_SCP_FAIL	[2]	RW W1CL	0x0	Event caused by falling edge of HV_BUCK_SCP signal debounced by 10 us <table border="1"> <thead> <tr> <th>Value</th> <th>Description</th> </tr> </thead> <tbody> <tr> <td>0x0 (POR)</td> <td>0:Normal</td> </tr> <tr> <td>0x1</td> <td>1:Event HV Buck Fault</td> </tr> </tbody> </table>	Value	Description	0x0 (POR)	0:Normal	0x1	1:Event HV Buck Fault
Value	Description									
0x0 (POR)	0:Normal									
0x1	1:Event HV Buck Fault									
E_HV_BUCK_UV_FAIL	[1]	RW W1CL	0x0	Event caused by falling edge of HV_BUCK_UV signal debounced by 10 us <table border="1"> <thead> <tr> <th>Value</th> <th>Description</th> </tr> </thead> <tbody> <tr> <td>0x0 (POR)</td> <td>0:Normal</td> </tr> <tr> <td>0x1</td> <td>1:Event HV Buck Fault</td> </tr> </tbody> </table>	Value	Description	0x0 (POR)	0:Normal	0x1	1:Event HV Buck Fault
Value	Description									
0x0 (POR)	0:Normal									
0x1	1:Event HV Buck Fault									
E_HV_BUCK_OV_FAIL	[0]	RW W1CL	0x0	Event caused by falling edge of HV_BUCK_OV signal debounced by 10 us <table border="1"> <thead> <tr> <th>Value</th> <th>Description</th> </tr> </thead> <tbody> <tr> <td>0x0 (POR)</td> <td>0:Normal</td> </tr> <tr> <td>0x1</td> <td>1:Event HV Buck Fault</td> </tr> </tbody> </table>	Value	Description	0x0 (POR)	0:Normal	0x1	1:Event HV Buck Fault
Value	Description									
0x0 (POR)	0:Normal									
0x1	1:Event HV Buck Fault									

High Efficiency Advanced Feature 4-Channel PMIC

6.1.6 Register EVENT_C

Address	Name	POR value	IRQ event
0x0006	EVENT_C	0x00	

7	6	5	4	3	2	1	0
Reserved	Reserved	E_BUCK3_VOUT_SCP_DROP_TIMEOUT_FAIL	E_BUCK2_VOUT_SCP_DROP_TIMEOUT_FAIL	E_BUCK1_VOUT_SCP_DROP_TIMEOUT_FAIL	Reserved	E_GPIO_FLAG1	E_GPIO_FLAG0

Field Name	Bits	Type	POR	Description						
E_BUCK3_VOUT_SCP_DROP_TIMEOUT_FAIL	[5]	RW W1C L	0x0	Event caused by rising edge of BUCK3_VOUT_SCP_DROP_TIMEOUT signal <table border="1"> <thead> <tr> <th>Value</th> <th>Description</th> </tr> </thead> <tbody> <tr> <td>0x0 (POR)</td> <td>0:Normal</td> </tr> <tr> <td>0x1</td> <td>1:Event Buck3 Fault</td> </tr> </tbody> </table>	Value	Description	0x0 (POR)	0:Normal	0x1	1:Event Buck3 Fault
Value	Description									
0x0 (POR)	0:Normal									
0x1	1:Event Buck3 Fault									
E_BUCK2_VOUT_SCP_DROP_TIMEOUT_FAIL	[4]	RW W1C L	0x0	Event caused by rising edge of BUCK2_VOUT_SCP_DROP_TIMEOUT signal <table border="1"> <thead> <tr> <th>Value</th> <th>Description</th> </tr> </thead> <tbody> <tr> <td>0x0 (POR)</td> <td>0:Normal</td> </tr> <tr> <td>0x1</td> <td>1:Event Buck2 Fault</td> </tr> </tbody> </table>	Value	Description	0x0 (POR)	0:Normal	0x1	1:Event Buck2 Fault
Value	Description									
0x0 (POR)	0:Normal									
0x1	1:Event Buck2 Fault									
E_BUCK1_VOUT_SCP_DROP_TIMEOUT_FAIL	[3]	RW W1C L	0x0	Event caused by rising edge of BUCK1_VOUT_SCP_DROP_TIMEOUT signal <table border="1"> <thead> <tr> <th>Value</th> <th>Description</th> </tr> </thead> <tbody> <tr> <td>0x0 (POR)</td> <td>0:Normal</td> </tr> <tr> <td>0x1</td> <td>1:Event Buck1 Fault</td> </tr> </tbody> </table>	Value	Description	0x0 (POR)	0:Normal	0x1	1:Event Buck1 Fault
Value	Description									
0x0 (POR)	0:Normal									
0x1	1:Event Buck1 Fault									
E_GPIO_FLAG1	[1]	RW W1C L	0x0	Event: GPIO_1 event <table border="1"> <thead> <tr> <th>Value</th> <th>Description</th> </tr> </thead> <tbody> <tr> <td>0x0 (POR)</td> <td>0:Normal</td> </tr> <tr> <td>0x1</td> <td>1:Event GPIO_1</td> </tr> </tbody> </table>	Value	Description	0x0 (POR)	0:Normal	0x1	1:Event GPIO_1
Value	Description									
0x0 (POR)	0:Normal									
0x1	1:Event GPIO_1									
E_GPIO_FLAG0	[0]	RW W1C L	0x0	Event: GPIO_0 event <table border="1"> <thead> <tr> <th>Value</th> <th>Description</th> </tr> </thead> <tbody> <tr> <td>0x0 (POR)</td> <td>0:Normal</td> </tr> <tr> <td>0x1</td> <td>1:Event GPIO_0</td> </tr> </tbody> </table>	Value	Description	0x0 (POR)	0:Normal	0x1	1:Event GPIO_0
Value	Description									
0x0 (POR)	0:Normal									
0x1	1:Event GPIO_0									

High Efficiency Advanced Feature 4-Channel PMIC

6.1.7 Register FAULT_LOG

Address	Name	POR value
0x0007	FAULT_LOG	0x00

7	6	5	4	3	2	1	0
Reserv ed	Reserv ed	EXTERNAL_F AULT	HVBK_OV_F AULT	HVBK_UV_F AULT	HVBK_SCP_F AULT	OVER_TE MP	VDD_FA ULT

Field Name	Bits	Type	POR	Description	
EXTERNAL_FAULT	[5]	RW W1CL	0x0	Power Down by External Power Down(GPIO)	
				Value	Description
				0x0 (POR)	0:Normal
				0x1	1:Fault
HVBK_OV_FAULT	[4]	RW W1CL	0x0	Power Down by HV BUCK Over Voltage Detection	
				Value	Description
				0x0 (POR)	0:Normal
				0x1	1:Fault
HVBK_UV_FAULT	[3]	RW W1CL	0x0	Power Down by HV BUCK Under Voltage Detection	
				Value	Description
				0x0 (POR)	0:Normal
				0x1	1:Fault
HVBK_SCP_FAULT	[2]	RW W1CL	0x0	Power Down by HV BUCK SCP Detection	
				Value	Description
				0x0 (POR)	0:Normal
				0x1	1:Fault
OVER_TEMP	[1]	RW W1CL	0x0	Power Down by Junction Over Temperature Detection	
				Value	Description
				0x0 (POR)	0:Normal
				0x1	1:Fault
VDD_FAULT	[0]	RW W1CL	0x0	Power Down by VDD Under Voltage Detection	
				Value	Description
				0x0 (POR)	0:Normal
				0x1	1:Fault

High Efficiency Advanced Feature 4-Channel PMIC

6.1.8 Register FAULT_LOG_1

Address	Name	POR value
0x0008	FAULT_LOG_1	0x00

7	6	5	4	3	2	1	0
Reserved	Reserved	BUCK3_SCP_DROP_TIMEOUT_FAULT	BUCK2_SCP_DROP_TIMEOUT_FAULT	BUCK1_SCP_DROP_TIMEOUT_FAULT	BUCK3_SCP_FAULT	BUCK2_SCP_FAULT	BUCK1_SCP_FAULT

Field Name	Bits	Type	POR	Description	
BUCK3_SCP_DROP_TIMEOUT_FAULT	[5]	RW W1CL	0x0	Power Down by BUCK 3 SCP Drop timeout Detection	
				Value	Description
				0x0 (POR)	0:Normal
				0x1	1:Fault
BUCK2_SCP_DROP_TIMEOUT_FAULT	[4]	RW W1CL	0x0	Power Down by BUCK 2 SCP Drop timeout Detection	
				Value	Description
				0x0 (POR)	0:Normal
				0x1	1:Fault
BUCK1_SCP_DROP_TIMEOUT_FAULT	[3]	RW W1CL	0x0	Power Down by BUCK 1 SCP Drop timeout Detection	
				Value	Description
				0x0 (POR)	0:Normal
				0x1	1:Fault
BUCK3_SCP_FAULT	[2]	RW W1CL	0x0	Power Down by BUCK 3 SCP Detection	
				Value	Description
				0x0 (POR)	0:Normal
				0x1	1:Fault
BUCK2_SCP_FAULT	[1]	RW W1CL	0x0	Power Down by BUCK 2 SCP Detection	
				Value	Description
				0x0 (POR)	0:Normal
				0x1	1:Fault
BUCK1_SCP_FAULT	[0]	RW W1CL	0x0	Power Down by BUCK 1 SCP Detection	
				Value	Description
				0x0 (POR)	0:Normal
				0x1	1:Fault

High Efficiency Advanced Feature 4-Channel PMIC

6.1.9 Register IRQ_MASK_A

Address	Name	POR value	IRQ event mask
0x0009	IRQ_MASK_A	0x08	

7	6	5	4	3	2	1	0
Reserved	Reserved	Reserved	Reserved	M_EXT_OT	M_SEQ_RDY	M_OVER_TMP	M_VDD_FLT

Field Name	Bits	Type	POR	Description	
M_EXT_OT	[3]	RW OTP	0x1	nIRQ Mask - External Over_temp	
				Value	Description
				0x0	0:nIRQ from External Over_Temp Event
				0x1 (POR)	1:Mask nIRQ from External Over_Temp Event
M_SEQ_RDY	[2]	RW OTP	0x0	nIRQ Mask - Main FSM is busy	
				Value	Description
				0x0 (POR)	0:nIRQ from Sequencer Event
				0x1	1:Mask nIRQ from Sequencer Event
M_OVER_TMP	[1]	RW OTP	0x0	nIRQ Mask - Over_temp	
				Value	Description
				0x0 (POR)	0:nIRQ from Over Temp Event
				0x1	1:Mask nIRQ from Over Temp Fault Event
M_VDD_FLT	[0]	RW OTP	0x0	nIRQ_Mask - VDD level	
				Value	Description
				0x0 (POR)	0:nIRQ from VDD Fault Event
				0x1	1:Mask nIRQ from VDD Fault Event

6.1.10 Register IRQ_MASK_B

Address	Name	POR value	IRQ event mask
0x000A	IRQ_MASK_B	0x00	

7	6	5	4	3	2	1	0
Reserved	Reserved	M_BUCK3_VOUT_SCP_FAIL	M_BUCK2_VOUT_SCP_FAIL	M_BUCK1_VOUT_SCP_FAIL	M_HV_BUCK_SCP_FAIL	M_HV_BUCK_UV_FAIL	M_HV_BUCK_OV_FAIL

Field Name	Bits	Type	POR	Description	
M_BUCK3_VOUT_SCP_FAIL	[5]	RW OTP	0x0	nIRQ Mask BUCK3_VOUT_SCP fail event	
				Value	Description
				0x0 (POR)	0:nIRQ from Buck3 Event
				0x1	1:Mask nIRQ from Buck3 Event

High Efficiency Advanced Feature 4-Channel PMIC

Field Name	Bits	Type	POR	Description	
M_BUCK2_VOUT_SCP_FAIL	[4]	RW OTP	0x0	nIRQ Mask BUCK2_VOUT_SCP fail event	
				Value	Description
				0x0 (POR)	0:nIRQ from Buck2 Event
				0x1	1:Mask nIRQ from Buck2 Event
M_BUCK1_VOUT_SCP_FAIL	[3]	RW OTP	0x0	nIRQ Mask BUCK1_VOUT_SCP fail event	
				Value	Description
				0x0 (POR)	0:nIRQ from Buck1 Event
				0x1	1:Mask nIRQ from Buck1 Event
M_HV_BUCK_SCP_FAIL	[2]	RW OTP	0x0	nIRQ Mask HV_BUCK_SCP fail event	
				Value	Description
				0x0 (POR)	0:nIRQ from HV Buck Event
				0x1	1:Mask nIRQ from HV Buck Event
M_HV_BUCK_UV_FAIL	[1]	RW OTP	0x0	nIRQ Mask HV_BUCK_UV fail event	
				Value	Description
				0x0 (POR)	0:nIRQ from HV Buck Event
				0x1	1:Mask nIRQ from HV Buck Event
M_HV_BUCK_OV_FAIL	[0]	RW OTP	0x0	nIRQ Mask HV_BUCK_OV fail event	
				Value	Description
				0x0 (POR)	0:nIRQ from HV Buck Event
				0x1	1:Mask nIRQ from HV Buck Event

6.1.11 Register IRQ_MASK_C

Address	Name	POR value	IRQ event mask
0x000B	IRQ_MASK_C	0x00	

7	6	5	4	3	2	1	0
Reserved	Reserved	M_BUCK3_VOUT_SCP_DROP_TIMEOUT_FAIL	M_BUCK2_VOUT_SCP_DROP_TIMEOUT_FAIL	M_BUCK1_VOUT_SCP_DROP_TIMEOUT_FAIL	Reserved	M_GPIO_FLG1	M_GPIO_FLG0

Field Name	Bits	Type	POR	Description	
M_BUCK3_VOUT_SCP_DROP_TIMEOUT_FAIL	[5]	RW OTP	0x0	nIRQ Mask BUCK3_VOUT_SCP_DROP_TIMEOUT fail event	
				Value	Description
				0x0 (POR)	0:nIRQ from Buck3 Event
				0x1	1:Mask nIRQ from Buck3

High Efficiency Advanced Feature 4-Channel PMIC

Field Name	Bits	Type	POR	Description						
				Event						
M_BUCK2_VOUT_SCP_DROP_TIMEOUT_FAIL	[4]	RW OTP	0x0	nIRQ Mask BUCK2_VOUT_SCP_DROP_TIMEOUT_FAIL event <table border="1"> <thead> <tr> <th>Value</th> <th>Description</th> </tr> </thead> <tbody> <tr> <td>0x0 (POR)</td> <td>0:nIRQ from Buck2 Event</td> </tr> <tr> <td>0x1</td> <td>1:Mask nIRQ from Buck2 Event</td> </tr> </tbody> </table>	Value	Description	0x0 (POR)	0:nIRQ from Buck2 Event	0x1	1:Mask nIRQ from Buck2 Event
Value	Description									
0x0 (POR)	0:nIRQ from Buck2 Event									
0x1	1:Mask nIRQ from Buck2 Event									
M_BUCK1_VOUT_SCP_DROP_TIMEOUT_FAIL	[3]	RW OTP	0x0	nIRQ Mask BUCK1_VOUT_SCP_DROP_TIMEOUT_FAIL event <table border="1"> <thead> <tr> <th>Value</th> <th>Description</th> </tr> </thead> <tbody> <tr> <td>0x0 (POR)</td> <td>0:nIRQ from Buck1 Event</td> </tr> <tr> <td>0x1</td> <td>1:Mask nIRQ from Buck1 Event</td> </tr> </tbody> </table>	Value	Description	0x0 (POR)	0:nIRQ from Buck1 Event	0x1	1:Mask nIRQ from Buck1 Event
Value	Description									
0x0 (POR)	0:nIRQ from Buck1 Event									
0x1	1:Mask nIRQ from Buck1 Event									
M_GPIO_FLAG1	[1]	RW OTP	0x0	nIRQ Mask for GPIO_1 event <table border="1"> <thead> <tr> <th>Value</th> <th>Description</th> </tr> </thead> <tbody> <tr> <td>0x0 (POR)</td> <td>0:nIRQ from GPIO_1 Event</td> </tr> <tr> <td>0x1</td> <td>1:Mask nIRQ from GPIO_1 Event</td> </tr> </tbody> </table>	Value	Description	0x0 (POR)	0:nIRQ from GPIO_1 Event	0x1	1:Mask nIRQ from GPIO_1 Event
Value	Description									
0x0 (POR)	0:nIRQ from GPIO_1 Event									
0x1	1:Mask nIRQ from GPIO_1 Event									
M_GPIO_FLAG0	[0]	RW OTP	0x0	nIRQ Mask for GPIO_0 event <table border="1"> <thead> <tr> <th>Value</th> <th>Description</th> </tr> </thead> <tbody> <tr> <td>0x0 (POR)</td> <td>0:nIRQ from GPIO_0 Event</td> </tr> <tr> <td>0x1</td> <td>1:Mask nIRQ from GPIO_0 Event</td> </tr> </tbody> </table>	Value	Description	0x0 (POR)	0:nIRQ from GPIO_0 Event	0x1	1:Mask nIRQ from GPIO_0 Event
Value	Description									
0x0 (POR)	0:nIRQ from GPIO_0 Event									
0x1	1:Mask nIRQ from GPIO_0 Event									

6.1.12 Register CONTROL_A

Address	Name	POR value	System control
0x000C	CONTROL_A	0x63	

7	6	5	4	3	2	1	0
Reserved	Reserved 1	Reserved 1	Reserved	Reserved 0	Reserved 0	PWR_EN	SYS_EN

Field Name	Bits	Type	POR	Description						
				POWER State target control bit <table border="1"> <thead> <tr> <th>Value</th> <th>Description</th> </tr> </thead> <tbody> <tr> <td>0x0</td> <td>0:Low</td> </tr> <tr> <td>0x1 (POR)</td> <td>1:High</td> </tr> </tbody> </table>	Value	Description	0x0	0:Low	0x1 (POR)	1:High
Value	Description									
0x0	0:Low									
0x1 (POR)	1:High									
PWR_EN	[1]	RW OTP	0x1							

High Efficiency Advanced Feature 4-Channel PMIC

SYS_EN	[0]	RW OTP	0x1	SYSTEM State target control bit	
				Value	Description
				0x0	0:Low
				0x1 (POR)	1:High

6.1.13 Register CONTROL_B

Address	Name	POR value	
0x000D	CONTROL_B	0x24	System control

7	6	5	4	3	2	1	0
Reserved 0	Reserved 0	WRITE_MODE	Reserved 0	Reserved	Reserved 1	Reserved	Reserved

Field Name	Bits	Type	POR	Description	
WRITE_MODE	[5]	RW OTP	0x1	I ² C Write Mode	
				Value	Description
				0x0	0: Page Write Mode
				0x1 (POR)	1: Repeated Write Mode

6.1.14 Register CONTROL_C

Address	Name	POR value	
0x000E	CONTROL_C	0x34	System control

7	6	5	4	3	2	1	0
Reserved	Reserved	LDO_EN_PULLDOWN	HVLDO_EN_PULLDOWN	MUTELVL_SEL	EN_MUTE	Reserved	Reserved

Field Name	Bits	Type	POR	Description	
LDO_EN_PULLDOWN	[5:5]	RW OTP	0x1	Enable output pull down function	
				Value	Description
				0x0	00: Disable
				0x1 (POR)	01: Enable
HVLDO_EN_PULLDOWN	[4:4]	RW OTP	0x1	Enable output pull down function	
				Value	Description
				0x0	00: Disable
				0x1 (POR)	01: Enable
MUTELVL_SEL	[3:2]	RW OTP	0x1	Mute Threshold Selection	
				Value	Description
				0x0	00: 8.53V
				0x1 (POR)	01: 8.13V

High Efficiency Advanced Feature 4-Channel PMIC

Field Name	Bits	Type	POR	Description
				0x2 10: 7.43V 0x3 11: 6.83V
EN_MUTE	[1:1]	RW OTP	0x0	Enable mute function Value Description 0x0 (POR) 00: Disable 0x1 01: Enable

6.1.15 Register I2C_BASE_ADDR

Address	Name	POR value
0x0010	I2C_BASE_ADDR	0x80

7	6	5	4	3	2	1	0
IF_BASE_ADDR			Reserved	Reserved	Reserved	Reserved	Reserved

Field Name	Bits	Type	POR	Description
IF_BASE_ADDR	[7:5]	RW OTP	0x4	3 MSB of the I ² C Interfaces Base Address XXX10000 10010010 = 0x92 write address of HS (I ² C) IF 10010011 = 0x93 read address of HS (I ² C) IF Value Description 0x0 0:0x10 0x1 1:0x30 0x2 2:0x50 0x3 3:0x70 0x4 (POR) 4:0x90 0x5 5:0xB0 0x6 6:0xD0 0x7 7:0xF0

High Efficiency Advanced Feature 4-Channel PMIC

6.2 GPIO

6.2.1 Register GPIO_DATA_IN

Address	Name	POR value
0x0017	GPIO_DATA_IN	0x00

7	6	5	4	3	2	1	0
Reserved	Reserved	Reserved	Reserved	Reserved	GPIO_NIRQ_IN	GPIO_IN	

Field Name	Bits	Type	POR	Description	
GPIO_NIRQ_IN	[2]	RO	0x0	GPIO_NIRQ input data	
				Value	Description
				0x0 (POR)	
GPIO_IN	[1:0]	RO	0x0	GPIO input data	
				Value	Description
				0x0 (POR)	

6.2.2 Register GPIO_DATA_OUT

Address	Name	POR value
0x0018	GPIO_DATA_OUT	0x00

7	6	5	4	3	2	1	0
Reserved	Reserved	Reserved	Reserved	GPO_SDA_OUT	GPIO_NIRQ_OUT	GPIO_OUT	

Field Name	Bits	Type	POR	Description	
GPO_SDA_OUT	[3]	RW OTP	0x0	GPO_SDA output data	
				Value	Description
				0x0 (POR)	
GPIO_NIRQ_OUT	[2]	RW OTP	0x0	GPIO_NIRQ output data	
				Value	Description
				0x0 (POR)	
GPIO_OUT	[1:0]	RW OTP	0x0	GPIO output data	
				Value	Description
				0x0 (POR)	

High Efficiency Advanced Feature 4-Channel PMIC

6.2.3 Register GPIO_0_CONF

Address	Name	POR value
0x0019	GPIO_0_CONF	0x00

7	6	5	4	3	2	1	0
GPIO_0_FUNC_SEL			GPIO_0_ACTIVE_LO	GPIO_0_P	GPIO_0_P	GPIO_0_P	GPIO_0_OUT_E
L			W	D	U	P	N

Field Name	Bits	Type	POR	Description
GPIO_0_FUNC_SEL	[7:5]	RW OTP	0x0	Gpio Function Select
				Value Description
				0x0 (POR) 0: Pure GPIO
				0x1 1: Power Sequencer Control, GPO
				0x2 2: External Interrupt, GPI
				0x3 3: External Power Down, GPI
				0x4 4: Loop GPIO_NIRQ Input as output
				0x5 5: Mute
0x6 6: NA				
0x7 7: NA				
GPIO_0_ACTIVE_LOW	[4]	RW OTP	0x0	Active Low
				Value Description
				0x0 (POR) 0: Default (active high)
0x1 1: Active Low				
GPIO_0_PD	[3]	RW OTP	0x0	Pull Down
				Value Description
				0x0 (POR) 0: Pull down disable
0x1 1: Pull down enable				
GPIO_0_PU	[2]	RW OTP	0x0	Pull Up
				Value Description
				0x0 (POR) 0: Pull up disable
0x1 1: Pull up enable				
GPIO_0_PP	[1]	RW OTP	0x0	Push Pull
				Value Description
				0x0 (POR) 0: Open Drain
0x1 1: Push-Pull				
GPIO_0_OUT_EN	[0]	RW OTP	0x0	Output Enable
				Value Description
				0x0 (POR) 0: GPI

High Efficiency Advanced Feature 4-Channel PMIC

Field Name	Bits	Type	POR	Description
				0x1 1: GPO

6.2.4 Register GPIO_1_CONF

Address	Name	POR value
0x001A	GPIO_1_CONF	0x00

7	6	5	4	3	2	1	0
GPIO_1_FUNC_SEL			GPIO_1_ACTIVE_LO	GPIO_1_P	GPIO_1_P	GPIO_1_P	GPIO_1_OUT_E
L			W	D	U	P	N

Field Name	Bits	Type	POR	Description
GPIO_1_FUNC_SEL	[7:5]	RW OTP	0x0	GPIO Function Select
				Value Description
				0x0 (POR) 0: Pure GPIO
				0x1 1: Power Sequencer Control, GPO
				0x2 2: External Interrupt, GPI
				0x3 3: External Power Down, GPI
				0x4 4: Loop GPIO_0 Input as output
				0x5 5: Mute
GPIO_1_ACTIVE_LOW	[4]	RW OTP	0x0	Active Low
				Value Description
				0x0 (POR) 0: Default (active high)
GPIO_1_PD	[3]	RW OTP	0x0	Pull Down
				Value Description
GPIO_1_PU	[2]	RW OTP	0x0	Pull Up
				Value Description
GPIO_1_PP	[1]	RW OTP	0x0	Push Pull
				Value Description
GPIO_1_OUT_EN	[0]	RW	0x0	0x0 (POR) 0: Open Drain
				0x1 1: Push-Pull
GPIO_1_OUT_EN	[0]	RW	0x0	Output Enable

High Efficiency Advanced Feature 4-Channel PMIC

Field Name	Bits	Type	POR	Description						
		OTP		<table border="1"> <thead> <tr> <th>Value</th> <th>Description</th> </tr> </thead> <tbody> <tr> <td>0x0 (POR)</td> <td>0: GPI</td> </tr> <tr> <td>0x1</td> <td>1: GPO</td> </tr> </tbody> </table>	Value	Description	0x0 (POR)	0: GPI	0x1	1: GPO
Value	Description									
0x0 (POR)	0: GPI									
0x1	1: GPO									

6.2.5 Register GPIO_NIRQ_CONF

Address	Name	POR value
0x001B	GPIO_NIRQ_CONF	0x00

7	6	5	4	3	2	1	0
GPIO_NIRQ_FUNC_SEL			GPIO_NIRQ_ACTIVE_LOW	GPIO_NIRQ_PD	GPIO_NIRQ_PU	GPIO_NIRQ_PP	GPIO_NIRQ_OUT_EN

Field Name	Bits	Type	POR	Description																		
GPIO_NIRQ_FUNC_SEL	[7:5]	RW OTP	0x0	GPIO Function Select																		
				<table border="1"> <thead> <tr> <th>Value</th> <th>Description</th> </tr> </thead> <tbody> <tr> <td>0x0 (POR)</td> <td>0: NIRQ, GPO</td> </tr> <tr> <td>0x1</td> <td>1: Power Sequencer Control, GPO</td> </tr> <tr> <td>0x2</td> <td>2: Pure GPIO</td> </tr> <tr> <td>0x3</td> <td>3: NA</td> </tr> <tr> <td>0x4</td> <td>4: Loop GPIO_1 Input as output</td> </tr> <tr> <td>0x5</td> <td>5: Mute</td> </tr> <tr> <td>0x6</td> <td>6: NA</td> </tr> <tr> <td>0x7</td> <td>7: NA</td> </tr> </tbody> </table>	Value	Description	0x0 (POR)	0: NIRQ, GPO	0x1	1: Power Sequencer Control, GPO	0x2	2: Pure GPIO	0x3	3: NA	0x4	4: Loop GPIO_1 Input as output	0x5	5: Mute	0x6	6: NA	0x7	7: NA
				Value	Description																	
				0x0 (POR)	0: NIRQ, GPO																	
				0x1	1: Power Sequencer Control, GPO																	
				0x2	2: Pure GPIO																	
				0x3	3: NA																	
				0x4	4: Loop GPIO_1 Input as output																	
0x5	5: Mute																					
0x6	6: NA																					
0x7	7: NA																					
GPIO_NIRQ_ACTIVE_LOW	[4]	RW OTP	0x0	Active Low																		
				<table border="1"> <thead> <tr> <th>Value</th> <th>Description</th> </tr> </thead> <tbody> <tr> <td>0x0 (POR)</td> <td>0: Default (active high)</td> </tr> <tr> <td>0x1</td> <td>1: Active Low</td> </tr> </tbody> </table>	Value	Description	0x0 (POR)	0: Default (active high)	0x1	1: Active Low												
				Value	Description																	
0x0 (POR)	0: Default (active high)																					
0x1	1: Active Low																					
GPIO_NIRQ_PD	[3]	RW OTP	0x0	Pull Down																		
				<table border="1"> <thead> <tr> <th>Value</th> <th>Description</th> </tr> </thead> <tbody> <tr> <td>0x0 (POR)</td> <td>0: Pull down disable</td> </tr> <tr> <td>0x1</td> <td>1: Pull down enable</td> </tr> </tbody> </table>	Value	Description	0x0 (POR)	0: Pull down disable	0x1	1: Pull down enable												
				Value	Description																	
0x0 (POR)	0: Pull down disable																					
0x1	1: Pull down enable																					
GPIO_NIRQ_PU	[2]	RW OTP	0x0	Pull Up																		
				<table border="1"> <thead> <tr> <th>Value</th> <th>Description</th> </tr> </thead> <tbody> <tr> <td>0x0 (POR)</td> <td>0: Pull up disable</td> </tr> <tr> <td>0x1</td> <td>1: Pull up enable</td> </tr> </tbody> </table>	Value	Description	0x0 (POR)	0: Pull up disable	0x1	1: Pull up enable												
				Value	Description																	
0x0 (POR)	0: Pull up disable																					
0x1	1: Pull up enable																					
GPIO_NIRQ_PP	[1]	RW OTP	0x0	Push Pull																		
				<table border="1"> <thead> <tr> <th>Value</th> <th>Description</th> </tr> </thead> <tbody> <tr> <td>0x0</td> <td>0: Open Drain</td> </tr> </tbody> </table>	Value	Description	0x0	0: Open Drain														
Value	Description																					
0x0	0: Open Drain																					

High Efficiency Advanced Feature 4-Channel PMIC

Field Name	Bits	Type	POR	Description	
				(POR)	
				0x1 1: Push-Pull	
GPIO_NIRQ_OUT_EN	[0]	RW OTP	0x0	Output Enable	
				Value	Description
				0x0 (POR)	0: GPI
				0x1	1: GPO

6.2.6 Register GPIO_VBUCK_CONF

Address	Name	POR value
0x001C	GPIO_VBUCK_CONF	0x00

7	6	5	4	3	2	1	0
VBUCK2_USE_2GPIO_SEL	GPO_SDA_ACTIVE_LOW	VBUCK3_GPIO_SEL	VBUCK2_GPIO_SEL	VBUCK1_GPIO_SEL			

Field Name	Bits	Type	POR	Description	
VBUCK2_USE_2GPIO_SEL	[7]	RW OTP	0x0	Buck2 use both GPIO_1, GPIO_0 to select the VBUCK_ALT, Buck1,3 will lost VBUCK_SEL function. Case({gpio_1, gpio_0}) 2'b00 : VBUCK2; 2'b01 : VBUCK2_ALT; 2'b10 : VBUCK1_ALT; 2'b11 : VBUCK3_ALT;	
				Value	Description
				0x0 (POR)	0: Disable
				0x1	1: Enable
GPO_SDA_ACTIVE_LOW	[6]	RW OTP	0x0	SDA use as GPO Active Low	
				Value	Description
				0x0 (POR)	0: Default (active high)
VBUCK3_GPIO_SEL	[5:4]	RW OTP	0x0	Over-ride VBUCK3 value with VBUCK2_ALT	
				Value	Description
				0x0 (POR)	00: Do Not Over-ride the value
				0x1	01: Over-ride the value when GPIO_0 is high
				0x2	10: Over-ride the value when GPIO_1 is high
0x3	11: Over-ride the value when NIRQ is high				
VBUCK2_GPIO_SEL	[3:2]	RW OTP	0x0	Over-ride VBUCK2 value with VBUCK2_ALT	
				Value	Description
				0x0 (POR)	00: Do Not Over-ride the value
				0x1	01: Over-ride the value when GPIO_0 is high

High Efficiency Advanced Feature 4-Channel PMIC

Field Name	Bits	Type	POR	Description										
				0x2 10: Over-ride the value when GPIO_1 is high 0x3 11: Over-ride the value when NIRQ is high										
VBUCK1_GPIO_SEL	[1:0]	RW OTP	0x0	Over-ride VBUCK1 value with VBUCK1_ALT <table border="1"> <thead> <tr> <th>Value</th> <th>Description</th> </tr> </thead> <tbody> <tr> <td>0x0 (POR)</td> <td>00: Do Not Over-ride the value</td> </tr> <tr> <td>0x1</td> <td>01: Over-ride the value when GPIO_0 is high</td> </tr> <tr> <td>0x2</td> <td>10: Over-ride the value when GPIO_1 is high</td> </tr> <tr> <td>0x3</td> <td>11: Over-ride the value when NIRQ is high</td> </tr> </tbody> </table>	Value	Description	0x0 (POR)	00: Do Not Over-ride the value	0x1	01: Over-ride the value when GPIO_0 is high	0x2	10: Over-ride the value when GPIO_1 is high	0x3	11: Over-ride the value when NIRQ is high
Value	Description													
0x0 (POR)	00: Do Not Over-ride the value													
0x1	01: Over-ride the value when GPIO_0 is high													
0x2	10: Over-ride the value when GPIO_1 is high													
0x3	11: Over-ride the value when NIRQ is high													

6.2.7 Register GPIO_UP_SEQ_CONF

Address	Name	POR value
0x001D	GPIO_UP_SEQ_CONF	0x00

7	6	5	4	3	2	1	0
GPIO_1_UP_STEP				GPIO_0_UP_STEP			

Field Name	Bits	Type	POR	Description				
GPIO_1_UP_STEP	[7:4]	RW OTP	0x0	Power Up Sequencer STEP for GPIO_1 <table border="1"> <thead> <tr> <th>Value</th> <th>Description</th> </tr> </thead> <tbody> <tr> <td>0x0 (POR)</td> <td></td> </tr> </tbody> </table>	Value	Description	0x0 (POR)	
Value	Description							
0x0 (POR)								
GPIO_0_UP_STEP	[3:0]	RW OTP	0x0	Power Up Sequencer STEP for GPIO_0 <table border="1"> <thead> <tr> <th>Value</th> <th>Description</th> </tr> </thead> <tbody> <tr> <td>0x0 (POR)</td> <td></td> </tr> </tbody> </table>	Value	Description	0x0 (POR)	
Value	Description							
0x0 (POR)								

High Efficiency Advanced Feature 4-Channel PMIC

6.2.8 Register GPIO_DN_SEQ_CONF

Address	Name	POR value
0x001E	GPIO_DN_SEQ_CONF	0x00

7	6	5	4	3	2	1	0
GPIO_1_DN_STEP				GPIO_0_DN_STEP			

Field Name	Bits	Type	POR	Description	
GPIO_1_DN_STEP	[7:4]	RW OTP	0x0	Power Down Sequencer STEP for GPIO_1	
				Value	Description
				0x0 (POR)	
GPIO_0_DN_STEP	[3:0]	RW OTP	0x0	Power Dn Sequencer STEP for GPIO_0	
				Value	Description
				0x0 (POR)	

6.2.9 Register GPO_SDA_SEQ_CONF

Address	Name	POR value
0x001F	GPO_SDA_SEQ_CONF	0x00

7	6	5	4	3	2	1	0
GPO_SDA_DN_STEP				GPO_SDA_UP_STEP			

Field Name	Bits	Type	POR	Description	
GPO_SDA_DN_STEP	[7:4]	RW OTP	0x0	Power Down Sequencer STEP for GPO_SDA	
				Value	Description
				0x0 (POR)	
GPO_SDA_UP_STEP	[3:0]	RW OTP	0x0	Power Up Sequencer STEP for GPO_SDA	
				Value	Description
				0x0 (POR)	

High Efficiency Advanced Feature 4-Channel PMIC

6.2.10 Register GPIO_NIRQ_SEQ_CONF

Address	Name	POR value
0x0020	GPIO_NIRQ_SEQ_CONF	0x00

7	6	5	4	3	2	1	0
GPIO_NIRQ_DN_STEP				GPIO_NIRQ_UP_STEP			

Field Name	Bits	Type	POR	Description
GPIO_NIRQ_DN_STEP	[7:4]	RW OTP	0x0	Power Down Sequencer STEP for GPIO_NIRQ
				Value Description
0x0 (POR)				
GPIO_NIRQ_UP_STEP	[3:0]	RW OTP	0x0	Power Up Sequencer STEP for GPIO_NIRQ
				Value Description
0x0 (POR)				

High Efficiency Advanced Feature 4-Channel PMIC

6.3 Sequencer

6.3.1 Register ID_0

Address	Name	POR value
0x0021	ID_0	0x01

7	6	5	4	3	2	1	0
Reserved	Reserved	Reserved	Reserved	WAIT_ID_ALWAYS	Reserved 0	Reserved 0	Reserved 1

Field Name	Bits	Type	POR	Description	
WAIT_ID_ALWAYS	[3]	RW OTP	0x0	WAIT_ID Configuration: 0: Only Perform the WAIT_ID Step on First Use of Sequencer, 1: Perform the WAIT_ID Step on Subsequent Uses of Sequencer.	
				Value	Description
				0x0 (POR)	0:First Use
				0x1	1:Always

6.3.2 Register HV_BUCK_STEP

Address	Name	POR value
0x0022	HV_BUCK_STEP	0x00

7	6	5	4	3	2	1	0
HV_BUCK_STDBY_STEP				HV_BUCK_STEP			

Field Name	Bits	Type	POR	Description	
HV_BUCK_STDBY_STEP	[7:4]	RW OTP	0x0	Power Sequencer Time for HV Buck STDBY Voltage change	
				Value	Description
				0x0 (POR)	
HV_BUCK_STEP	[3:0]	RW OTP	0x0	Power Sequencer Time for HV Buck	
				Value	Description
				0x0 (POR)	

High Efficiency Advanced Feature 4-Channel PMIC

6.3.3 Register BUCK_1_2_STEP

Address	Name	POR value
0x0024	BUCK_1_2_STEP	0x00

7	6	5	4	3	2	1	0
BUCK2_STEP				BUCK1_STEP			

Field Name	Bits	Type	POR	Description
BUCK2_STEP	[7:4]	RW OTP	0x0	Power Sequencer Time forBUCK2
				Value Description
				0x0 (POR)
BUCK1_STEP	[3:0]	RW OTP	0x0	Power Sequencer Time forBUCK1
				Value Description
				0x0 (POR)

6.3.4 Register BUCK_3_STEP

Address	Name	POR value
0x0025	BUCK_3_STEP	0x00

7	6	5	4	3	2	1	0
Reserved	Reserved	Reserved	Reserved	BUCK3_STEP			

Field Name	Bits	Type	POR	Description
BUCK3_STEP	[3:0]	RW OTP	0x0	Power Sequencer Time forBUCK3
				Value Description
				0x0 (POR)

6.3.5 Register SEQ_STATUS

Address	Name	POR value
0x0026	SEQ_STATUS	0x00

7	6	5	4	3	2	1	0
SEQ_POINTER				WAIT_STEP			

Field Name	Bits	Type	POR	Description
SEQ_POINTER	[7:4]	RW	0x0	Actual Pointer Position (Time Slot) of Power Sequencer
				Value Description
				0x0 (POR)
WAIT_STEP	[3:0]	RW	0x0	Power Sequencer Time for Wait Step

High Efficiency Advanced Feature 4-Channel PMIC

		OTP		Value	Description
				0x0 (POR)	

6.3.6 Register SEQ_A

Address	Name	POR value
0x0027	SEQ_A	0x96

7	6	5	4	3	2	1	0
POWER_END				SYSTEM_END			

Field Name	Bits	Type	POR	Description
POWER_END	[7:4]	RW OTP	0x9	OTP Pointer - Last Supply of Domain POWER
				Value
				0x9 (POR)
SYSTEM_END	[3:0]	RW OTP	0x6	OTP Pointer - Last Supply of Domain SYSTEM
				Value
				0x6 (POR)

6.3.7 Register SEQ_B

Address	Name	POR value
0x0028	SEQ_B	0x49

7	6	5	4	3	2	1	0
Reserved 0	Reserved 1	Reserved 0	Reserved 0	MAX_COUNT			

Field Name	Bits	Type	POR	Description
MAX_COUNT	[3:0]	RW OTP	0x9	OTP Pointer - Last Supply of Domain POWER1
				Value
				0x9 (POR)

High Efficiency Advanced Feature 4-Channel PMIC

6.3.8 Register SEQ_TIMER

Address	Name	POR value
0x0029	SEQ_TIMER	0x3D

7	6	5	4	3	2	1	0
SEQ_DUMMY				SEQ_TIME			

Field Name	Bits	Type	POR	Description	
SEQ_DUMMY	[7:4]	RW OTP	0x3	Time for empty Sequence slots	
				Value	Description
				0x0	0000: 32usec
				0x1	0001: 64usec
				0x2	0010: 96usec
				0x3 (POR)	0011: 128usec
				0x4	0100: 160usec
				0x5	0101: 192usec
				0x6	0110: 224usec
				0x7	0111: 256usec
				0x8	1000: 288usec
				0x9	1001: 384usec
				0x10	1010: 448usec
				0x11	1011: 512usec
				0x12	1100: 1.024msec
				0x13	1101: 2.048msec
SEQ_TIME	[3:0]	RW OTP	0xd	Time for each non-empty Sequence slot	
				Value	Description
				0x0	0000: 32usec
				0x1	0001: 64usec
				0x2	0010: 96usec
				0x3	0011: 128usec
				0x4	0100: 160usec
				0x5	0101: 192usec
				0x6	0110: 224usec
				0x7	0111: 256usec
				0x8	1000: 288usec
				0x9	1001: 384usec
				0x10	1010: 448usec
				0x11	1011: 512usec
0x12	1100: 1.024msec				
0x13	1101: 2.048msec				

High Efficiency Advanced Feature 4-Channel PMIC

			0x14	1110: 4.096msec
			0x15	1111: 8.192msec

6.4 Supplies

6.4.1 Register BUCK1_CONF0

Address	Name	POR value
0x002A	BUCK1_CONF0	0x50

7	6	5	4	3	2	1	0
BUCK1_EN	VBUCK1						

Field Name	Bits	Type	POR	Description	
BUCK1_EN	[7]	RW OTP	0x0	BUCK Enable	
				Value	Description
				0x0 (POR)	0:Disabled
				0x1	1:Enabled
VBUCK1	[6:0]	RW OTP	0x50	Buck Target Voltage. $V_{out} = (1+v_{range_gain}) * (((0.8 * v_{dac_range}) + 0.6) + 0.003125 * 2 * V_{Buck}[6:0])$	
				Value	Description
				0x0	

6.4.2 Register BUCK1_CONF0_ALT

Address	Name	POR value
0x002B	BUCK1_CONF0_ALT	0x50

7	6	5	4	3	2	1	0
Reserved	VBUCK1_ALT						

Field Name	Bits	Type	POR	Description	
VBUCK1_ALT	[6:0]	RW OTP	0x50	ALT. Buck Target Voltage. $V_{out} = (1+v_{range_gain}) * (((0.8 * v_{dac_range}) + 0.6) + 0.003125 * 2 * V_{Buck}[6:0])$	
				Value	Description
				0x0	

High Efficiency Advanced Feature 4-Channel PMIC

6.4.3 Register BUCK1_CONF1

Address	Name	POR value
0x002C	BUCK1_CONF1	0x29

7	6	5	4	3	2	1	0
BUCK1_PD_DIS	Reserved 0	Reserved 1	Reserved	BUCK1_SYNC_ILIM		BUCK1_MODE	

Field Name	Bits	Type	POR	Description	
BUCK1_PD_DIS	[7]	RW OTP	0x0	Pull down disable	
				Value	Description
				0x0 (POR)	0: Enable PD in OFF Mode
				0x1	1: Disable PD in OFF Mode
BUCK1_SYNC_ILIM	[3:2]	RW OTP	0x2	BUCK Current Limit:	
				Value	Description
				0x0	00: 3230mA
				0x1	01: 5130mA
				0x2 (POR)	10: 6960mA
0x3	11: 8790mA				
BUCK1_MODE	[1:0]	RW OTP	0x1	BUCK Operating Mode:	
				Value	Description
				0x0	00: Sleep Mode (PFM)
				0x1 (POR)	01: Automatic Mode
				0x2	10: Synchronous Mode (PWM)
0x3	11: Reserved				

6.4.4 Register BUCK2_CONF0

Address	Name	POR value
0x002D	BUCK2_CONF0	0x50

7	6	5	4	3	2	1	0
BUCK2_EN	VBUCK2						

Field Name	Bits	Type	POR	Description	
BUCK2_EN	[7]	RW OTP	0x0	BUCK Enable	
				Value	Description
				0x0 (POR)	0: Disabled
				0x1	1: Enabled
VBUCK2	[6:0]	RW OTP	0x50	Buck Target Voltage. $V_{out} = (1+v_{range_gain}) * ((0.8 * v_{dac_range} + 0.6) + 0.003125 * 2 * V_{Buck}[6:0])$	

High Efficiency Advanced Feature 4-Channel PMIC

Value	Description
0x0	

6.4.5 Register BUCK2_CONF0_ALT

Address	Name	POR value
0x002E	BUCK2_CONF0_ALT	0x50

7	6	5	4	3	2	1	0
Reserved	VBUCK2_ALT						

Field Name	Bits	Type	POR	Description
VBUCK2_ALT	[6:0]	RW OTP	0x50	ALT. Buck Target Voltage. $V_{out} = (1+v_{range_gain}) * (((0.8 * v_{dac_range}) + 0.6) + 0.003125 * 2 * V_{Buck}[6:0])$
				Value Description
				0x0

6.4.6 Register BUCK2_CONF1

Address	Name	POR value
0x002F	BUCK2_CONF1	0x29

7	6	5	4	3	2	1	0
BUCK2_PD_DIS	Reserved 0	Reserved 1	Reserved	BUCK2_SYNC_ILIM	BUCK2_MODE		

Field Name	Bits	Type	POR	Description
BUCK2_PD_DIS	[7]	RW OTP	0x0	Pull down disable
				Value Description
				0x0 (POR) 0: Enable PD in OFF Mode 0x1 1: Disable PD in OFF Mode
BUCK2_SYNC_ILIM	[3:2]	RW OTP	0x2	BUCK Current Limit:
				Value Description
				0x0 00: 1496mA 0x1 01: 2393mA
				0x2 (POR) 10: 3291mA 0x3 11: 4189mA
BUCK2_MODE	[1:0]	RW OTP	0x1	BUCK Operating Mode:
				Value Description
				0x0 00: Sleep Mode (PFM) 0x1 (POR) 01: Automatic Mode
				0x2 10: Synchronous Mode (PWM)

High Efficiency Advanced Feature 4-Channel PMIC

				0x3	11: Reserved
--	--	--	--	-----	--------------

6.4.7 Register BUCK3_CONF0

Address	Name	POR value
0x0030	BUCK3_CONF0	0x50

7	6	5	4	3	2	1	0
BUCK3_EN	VBUCK3						

Field Name	Bits	Type	POR	Description
BUCK3_EN	[7]	RW OTP	0x0	BUCK Enable
				Value Description
				0x0 (POR) 0:Disabled
				0x1 1:Enabled
VBUCK3	[6:0]	RW OTP	0x50	Buck Target Voltage. $V_{out} = (1+v_{range_gain}) * (((0.8 * v_{dac_range}) + 0.6) + 0.003125 * 2 * V_{Buck}[6:0])$
				Value Description
				0x0

6.4.8 Register BUCK3_CONF0_ALT

Address	Name	POR value
0x0031	BUCK3_CONF0_ALT	0x50

7	6	5	4	3	2	1	0
Reserved	VBUCK3_ALT						

Field Name	Bits	Type	POR	Description
VBUCK3_ALT	[6:0]	RW OTP	0x50	ALT. Buck Target Voltage. $V_{out} = (1+v_{range_gain}) * (((0.8 * v_{dac_range}) + 0.6) + 0.003125 * 2 * V_{Buck}[6:0])$
				Value Description
				0x0

High Efficiency Advanced Feature 4-Channel PMIC

6.4.9 Register BUCK3_CONF1

Address	Name	POR value
0x0032	BUCK3_CONF1	0x29

7	6	5	4	3	2	1	0
BUCK3_PD_DIS	Reserved 0	Reserved 1	Reserved	BUCK3_SYNC_ILIM		BUCK3_MODE	

Field Name	Bits	Type	POR	Description	
BUCK3_PD_DIS	[7]	RW OTP	0x0	Pull down disable	
				Value	Description
				0x0 (POR)	0: Enable PD in OFF Mode
				0x1	1: Disable PD in OFF Mode
BUCK3_SYNC_ILIM	[3:2]	RW OTP	0x2	BUCK Current Limit:	
				Value	Description
				0x0	00: 1496mA
				0x1	01: 2393mA
				0x2 (POR)	10: 3291mA
0x3	11: 4189mA				
BUCK3_MODE	[1:0]	RW OTP	0x1	BUCK Operating Mode:	
				Value	Description
				0x0	00: Sleep Mode (PFM)
				0x1 (POR)	01: Automatic Mode
				0x2	10: Synchronous Mode (PWM)
0x3	11: Reserved				

6.4.10 Register HVBUCK_CONF1

Address	Name	POR value
0x0033	HVBUCK_CONF1	0x00

7	6	5	4	3	2	1	0
VHVBUCK							

Field Name	Bits	Type	POR	Description	
VHVBUCK	[7:0]	RW OTP	0x0	Buck output voltage select and the value will provide to DAC DAC output: 0V to 1.275V, 5mV/step, 8 bit, 255 steps allowed min target hvbk_dac<7:0> =10100000 (DEC=160, 0.8V) allowed max target hvbk_dac<7:0> =11111111 (DEC=255, 1.275V) DVC slew rate is accounted in hvbk_dac<7:0>	
				Value	Description
				0x0 (POR)	000000: 0V

High Efficiency Advanced Feature 4-Channel PMIC

			0x1	000001: 0.005V
			0x2	000010: 0.01V
		
			0xFF	111111: 1.275V

6.4.11 Register HVBUCK_CONF2

Address	Name	POR value
0x0034	HVBUCK_CONF2	0xC2

7	6	5	4	3	2	1	0
Reserved 1	TON_CTRIM			VHVBUCK_SLEW_RATE		HVBUCK_EN	

Field Name	Bits	Type	POR	Description	
TON_CTRIM	[6:4]	RW OTP	0x4	Setting bits for switching frequency adjustment (change Ton charging cap). Setting range: 167kHz to 1.25MHz, nominal 500kHz.	
				Value	Description
				0x0	000: 1.25MHz
				0x1	001: 1MHz
				0x2	010: 833kHz
				0x3	011: 625kHz
				0x4 (POR)	100: 500kHz
				0x5	101: 357kHz
				0x6	110: 250kHz
VHVBUCK_SLEW_RATE	[3:1]	RW OTP	0x1	HV BUCK slew rate:	
				Value	Description
				0x0	000: 1.5625mV/us
				0x1 (POR)	001: 3.125mV/us
				0x2	010: 4.6875mV/us
				0x3	011: 6.25mV/us
				0x4	100: 7.8125mV/us
				0x5	101: 9.375mV/us
				0x6	110: 10.9375mV/us
HVBUCK_EN	[0]	RW OTP	0x0	HV Buck enable	
				Value	Description
				0x0 (POR)	0: Disable
				0x1	1: Enable

High Efficiency Advanced Feature 4-Channel PMIC

6.4.12 Register HVBUCK_CONF3

Address	Name	POR value
0x0035	HVBUCK_CONF3	0xD3

7	6	5	4	3	2	1	0
Reserved 1	OV_TH		UV_TH		ITON_SCALE		

Field Name	Bits	Type	POR	Description	
OV_TH	[6:5]	RW OTP	0x2	OV threshold	
				Value	Description
				0x0	00: (105%~107.5%)*DAC_out
				0x1	01: (110%~112.5%)*DAC_out
				0x2 (POR)	10: (115%~120%)*DAC_out
0x3	11: (125%~130%)*DAC_out				
UV_TH	[4:2]	RW OTP	0x4	UV threshold	
				Value	Description
				0x0	000: 95%*DAC_out
				0x1	001: 92.5%*DAC_out
				0x2	010: 90%*DAC_out
				0x3	011: 87.5%*DAC_out
				0x4 (POR)	100: 85%*DAC_out
				0x5	101: 80%*DAC_out
				0x6	110: 75%*DAC_out
0x7	111: 70%*DAC_out				
ITON_SCALE	[1:0]	RW OTP	0x3	Ton width based on Vout to fix switching frequency (e.g. 500kHz)	
				Value	Description
				0x0	00: Vout=0.8V~1.275V
				0x1	01: Vout=1.6V~2.55V
				0x2	10: Vout=2.4V~3.825V
0x3 (POR)	11: Vout=4V~6.375V				

6.4.13 Register HVBUCK_CONF4

Address	Name	POR value
0x0036	HVBUCK_CONF4	0x04

7	6	5	4	3	2	1	0
Reserved	NEG_OC_TH			Reserved	POS_OC_TH		

Field Name	Bits	Type	POR	Description
NEG_OC_TH	[6:4]	RW OTP	0x0	Negative OC/zero-crossing threshold, V(SW_HVBK)-V(PGND) when low-side MOS is turned on

High Efficiency Advanced Feature 4-Channel PMIC

				<table border="1"> <thead> <tr> <th>Value</th> <th>Description</th> </tr> </thead> <tbody> <tr> <td>0x0 (POR)</td> <td>000: 0mV</td> </tr> <tr> <td>0x1</td> <td>001: 10mV</td> </tr> <tr> <td>0x2</td> <td>010: 20mV</td> </tr> <tr> <td>0x3</td> <td>011: 40mV</td> </tr> <tr> <td>0x4</td> <td>100: 60mV</td> </tr> <tr> <td>0x5</td> <td>101: 80mV</td> </tr> <tr> <td>0x6</td> <td>110: 120mV</td> </tr> <tr> <td>0x7</td> <td>111: 160mV</td> </tr> </tbody> </table>	Value	Description	0x0 (POR)	000: 0mV	0x1	001: 10mV	0x2	010: 20mV	0x3	011: 40mV	0x4	100: 60mV	0x5	101: 80mV	0x6	110: 120mV	0x7	111: 160mV
Value	Description																					
0x0 (POR)	000: 0mV																					
0x1	001: 10mV																					
0x2	010: 20mV																					
0x3	011: 40mV																					
0x4	100: 60mV																					
0x5	101: 80mV																					
0x6	110: 120mV																					
0x7	111: 160mV																					
POS_OC_TH	[2:0]	RW OTP	0x4	<p>Positive OC threshold, V(PGND)-V(SW_HVBK) when low-side MOS is turned on</p> <table border="1"> <thead> <tr> <th>Value</th> <th>Description</th> </tr> </thead> <tbody> <tr> <td>0x0</td> <td>000: 90mV</td> </tr> <tr> <td>0x1</td> <td>001: 120mV</td> </tr> <tr> <td>0x2</td> <td>010: 150mV</td> </tr> <tr> <td>0x3</td> <td>011: 180mV</td> </tr> <tr> <td>0x4 (POR)</td> <td>100: 210mV</td> </tr> <tr> <td>0x5</td> <td>101: 240mV</td> </tr> <tr> <td>0x6</td> <td>110: 270mV</td> </tr> <tr> <td>0x7</td> <td>111: 300mV</td> </tr> </tbody> </table>	Value	Description	0x0	000: 90mV	0x1	001: 120mV	0x2	010: 150mV	0x3	011: 180mV	0x4 (POR)	100: 210mV	0x5	101: 240mV	0x6	110: 270mV	0x7	111: 300mV
Value	Description																					
0x0	000: 90mV																					
0x1	001: 120mV																					
0x2	010: 150mV																					
0x3	011: 180mV																					
0x4 (POR)	100: 210mV																					
0x5	101: 240mV																					
0x6	110: 270mV																					
0x7	111: 300mV																					

High Efficiency Advanced Feature 4-Channel PMIC

6.4.14 Register HVBUCK_VSTDBY

Address	Name	POR value
0x0037	HVBUCK_VSTDBY	0x07

7	6	5	4	3	2	1	0
Reserved	Reserved	Reserved	Reserved	Reserved	VHVBUCK_STDBY		

Field Name	Bits	Type	POR	Description	
VHVBUCK_STDBY	[2:0]	RW OTP	0x7	HV Buck output voltage select in standby mode. DAC output: 0.66V to 0.96V	
				Value	Description
				0x0	0000: set DAC=0.76V, Vout=3.8V
				0x1	0001: set DAC=0.78V, Vout=3.9V
				0x2	0010: set DAC=0.8V, Vout=4V
				0x3	0011: set DAC=0.82V, Vout=4.1V
				0x4	0100: set DAC=0.84V, Vout=4.2V
				0x5	0101: set DAC=0.86V, Vout=4.3V
				0x6	0110: set DAC=0.88V, Vout=4.4V
0x7 (POR)	0111: set DAC=0.9V, Vout=4.5V				

6.4.15 Register HVBUCK_STATUS1

Address	Name	POR value
0x0038	HVBUCK_STATUS1	0x00

7	6	5	4	3	2	1	0
Reserved	Reserved	HVBK_PGOOD	HVBK_DCM_STATE	HVBK_SCP_UV	HVBK_OV	LV_VBST_L OW	AVDD_HVBK_POR

Field Name	Bits	Type	POR	Description	
HVBK_PGOOD	[5]	RO	0x0	Report HV buck Vout >92.5% target Vout	
				Value	Description
				0x0 (POR)	
HVBK_DCM_STATE	[4]	RO	0x0	HV Buck DCM state indicator	
				Value	Description
				0x0 (POR)	
HVBK_SCP_UV	[3]	RO	0x0	HV buck SCP/UV detection result	
				Value	Description
				0x0 (POR)	
HVBK_OV	[2]	RO	0x0	HV buck OV detection result	
				Value	Description

High Efficiency Advanced Feature 4-Channel PMIC

Field Name	Bits	Type	POR	Description
				0x0 (POR)
LV_VBST_LOW	[1]	RO	0x0	Report LV_VBST_low to digital
				Value Description
				0x0 (POR)
AVDD_HVBK_POR	[0]	RO	0x0	Report AVDD_HVBK POR to digital
				Value Description
				0x0 (POR)

High Efficiency Advanced Feature 4-Channel PMIC

6.5 Control

6.5.1 Register WAIT_CONT

Address	Name	POR value
0x0039	WAIT_CONT	0x3B

7	6	5	4	3	2	1	0
WAIT_DIR	Reserved 0	Reserved 1	Reserved 1	DELAY_TIME			

Field Name	Bits	Type	POR	Description
WAIT_DIR	[7]	RW OTP	0x0	Value Description
				0x0 (POR) 0: Wait during Power-Up Sequence
				0x1 1: Wait during Power-Up and Power-Down Sequence
DELAY_TIME	[3:0]	RW OTP	0xb	OUT32K and RTC internal clock delay when in timer mode
				Value Description
				0x0 0000: 0usec
				0x1 0001: 540us
				0x2 0010: 1.0msec
				0x3 0011: 2.0msec
				0x4 0100: 4.1msec
				0x5 0101: 8.2msec
				0x6 0110: 16.4msec
				0x7 0111: 32.8msec
				0x8 1000: 65.5msec
				0x9 1001: 131msec
				0x10 1010: 262msec
				0x11 1011: 524msec
				0x12 1100: 1.0sec
				0x13 1101: 2.1sec
0x14 1110: 4.2sec				
0x15 1111: 8.4sec				

High Efficiency Advanced Feature 4-Channel PMIC

6.6 Standby Interface

6.6.1 Register STBY_CONF

Address	Name	POR value
0x0049	STBY_CONF	0x00

7	6	5	4	3	2	1	0
Reserved	Reserved	Reserved	Reserved	Reserved	Reserved 0	Reserved 0	PSC_EN

Field Name	Bits	Type	POR	Description	
PSC_EN	[0]	RW OTP	0x0	Stand-By Controller feature enable default to disabled requires Host or OTP to enable	
				Value	Description
				0x0 (POR)	0:Disable
				0x1	1:Enable

High Efficiency Advanced Feature 4-Channel PMIC

6.7 Test Registers

6.7.1 Register BUCK1_CONF2

Address	Name	POR value
0x005A	BUCK1_CONF2	0x1A

7	6	5	4	3	2	1	0
BUCK1_VDAC_RANGE	Reserved 0	Reserved 0	Reserved 1	Reserved 1	Reserved 0	Reserved 1	Reserved 0

Field Name	Bits	Type	POR	Description
BUCK1_VDAC_RANGE	[7]	RW OTP	0x0	Voltage DAC range
				Value Description
				0x0 (POR) 0.6V-1.4V
				0x1 1.4V-2.2V

6.7.2 Register BUCK1_CONF5

Address	Name	POR value
0x005D	BUCK1_CONF5	0x00

7	6	5	4	3	2	1	0
Reserved 0	Reserved 0	Reserved 0	Reserved 0	Reserved 0	Reserved 0	Reserved 0	BUCK1_VRANGE_GAIN

Field Name	Bits	Type	POR	Description
BUCK1_VRANGE_GAIN	[0]	RW OTP	0x0	Set 2x gain onBUCK1 for VOUT>2.4V
				Value Description
				0x0 (POR) 0:1x Gain
				0x1 1:2x Gain

6.7.3 Register BUCK2_CONF2

Address	Name	POR value
0x0063	BUCK2_CONF2	0x1A

7	6	5	4	3	2	1	0
BUCK2_VDAC_RANGE	Reserved 0	Reserved 0	Reserved 1	Reserved 1	Reserved 0	Reserved 1	Reserved 0

Field Name	Bits	Type	POR	Description
BUCK2_VDAC_RANGE	[7]	RW OTP	0x0	Voltage DAC range
				Value Description
				0x0 0.6V-1.4V

High Efficiency Advanced Feature 4-Channel PMIC

				(POR)	
				0x1	1.4V-2.2V

6.7.4 Register BUCK2_CONF5

Address	Name	POR value
0x0066	BUCK2_CONF5	0x00

7	6	5	4	3	2	1	0
Reserved	Reserved	Reserved	Reserved	Reserved	Reserved	Reserved	BUCK2_VRANGE_GAIN
0	0	0	0	0	0	0	

Field Name	Bits	Type	POR	Description
BUCK2_VRANGE_GAIN	[0]	RW OTP	0x0	Set 2x gain onBUCK2 for VOUT>2.4V
				Value Description
				0x0 (POR) 0:1x Gain
				0x1 1:2x Gain

6.7.5 Register BUCK3_CONF2

Address	Name	POR value
0x006C	BUCK3_CONF2	0x1A

7	6	5	4	3	2	1	0
BUCK3_VDAC_RANGE	Reserved	Reserved	Reserved	Reserved	Reserved	Reserved	Reserved
	0	0	1	1	0	1	0

Field Name	Bits	Type	POR	Description
BUCK3_VDAC_RANGE	[7]	RW OTP	0x0	Voltage DAC range
				Value Description
				0x0 (POR) 0.6V-1.4V
				0x1 1.4V-2.2V

6.7.6 Register BUCK3_CONF5

Address	Name	POR value
0x006F	BUCK3_CONF5	0x00

7	6	5	4	3	2	1	0
Reserved	Reserved	Reserved	Reserved	Reserved	Reserved	Reserved	BUCK3_VRANGE_GAIN
0	0	0	0	0	0	0	

Field Name	Bits	Type	POR	Description
BUCK3_VRANGE_GAIN	[0]	RW	0x0	Set 2x gain onBUCK3 for VOUT>2.4V

High Efficiency Advanced Feature 4-Channel PMIC

		OTP		Value	Description
				0x0 (POR)	0:1x Gain
				0x1	1:2x Gain

6.7.7 Register HVBUCK_CONF5

Address	Name	POR value
0x0079	HVBUCK_CONF5	0xF0

7	6	5	4	3	2	1	0
EN_UV	EN_OV	HVBUCK_EN_SCP	Reserved 1	Reserved 0	Reserved 0	Reserved 0	Reserved 0

Field Name	Bits	Type	POR	Description	
EN_UV	[7]	RW OTP	0x1	Enable UV detection, During soft start, DVC, and soft stop with 50us extension, UV detection is disabled	
				Value	Description
				0x0	0: disable UV detection
EN_OV	[6]	RW OTP	0x1	Enable OV detection, During soft start, DVC, and soft stop with 50us extension, OV detection is disabled	
				Value	Description
				0x0	0: disable OV detection
HVBUCK_EN_SCP	[5]	RW OTP	0x1	Enable Vout short detection	
				Value	Description
				0x0	0: Disable Vout short detection and reaction
				0x1 (POR)	1: Enable Vout short detection

High Efficiency Advanced Feature 4-Channel PMIC

6.7.8 Register HVBUCK_CONF6

Address	Name	POR value
0x007A	HVBUCK_CONF6	0xCC

7	6	5	4	3	2	1	0
EN_NEG_OC	EN_POS_OC	Reserved	Reserved 0	Reserved 1	Reserved 1	Reserved 0	Reserved 0

Field Name	Bits	Type	POR	Description	
EN_NEG_OC	[7]	RW OTP	0x1	Enable negative OC/zero-crossing detection	
				Value	Description
				0x0	0: disable negative OC detection
			0x1 (POR)	1: enable negative OC detection	
EN_POS_OC	[6]	RW OTP	0x1	Enable positive OC detection	
				Value	Description
				0x0	0: disable positive OC detection
			0x1 (POR)	1: enable positive OC detection	

6.7.9 Register HVBUCK_CONF7

Address	Name	POR value
0x007B	HVBUCK_CONF7	0x19

7	6	5	4	3	2	1	0
Reserved	Reserved	Reserved	TON_REF_SEL_DCM			Reserved 0	Reserved 1

Field Name	Bits	Type	POR	Description	
TON_REF_SEL_DCM	[4:2]	RW OTP	0x6	When loop enters DCM (with hvbk_dcm_th), change Ton	
				Value	Description
				0x0	000: DCM Ton=60%*(CCM Ton)
				0x1	001: DCM Ton=80%*(CCM Ton)
				0x2	010: DCM Ton=100%*(CCM Ton)
				0x3	011: DCM Ton=110%*(CCM Ton)
				0x4	100: DCM Ton=120%*(CCM Ton)
				0x5	101: DCM Ton=130%*(CCM Ton)
				0x6 (POR)	110: DCM Ton=140%*(CCM Ton)
0x7	111: DCM Ton=150%*(CCM Ton)				

High Efficiency Advanced Feature 4-Channel PMIC

6.7.10 Register HVBUCK_CONF16

Address	Name	POR value
0x0084	HVBUCK_CONF16	0x37

7	6	5	4	3	2	1	0
Reserved	DRVH_DET_FALL_DLY			Reserved 0	Reserved 1	DRVH_DRV2	

Field Name	Bits	Type	POR	Description	
DRVH_DET_FALL_DLY	[6:4]	RW OTP	0x3	Filter time of DRVH=low detection	
				Value	Description
				0x0	000: 0nS
				0x1	001: 5nS
				0x2	010: 10nS
				0x3 (POR)	011: 15nS
				0x4	100: 20nS
				0x5	101: 25nS
				0x6	110: 35nS
				0x7	111: 55nS
				Value	Description
				0x0	000: 0nS
				0x1	001: 5nS
				0x2	010: 10nS
				0x3 (POR)	011: 15nS
0x4	100: 20nS				
0x5	101: 25nS				
0x6	110: 35nS				
0x7	111: 55nS				
DRVH_DRV2	[1:0]	RW OTP	0x3	DRVH driving capability during rising interval T2	
				Value	Description
				0x0	00: x1
				0x1	01: x2
				0x2	10: x3
0x3 (POR)	11: x4				

High Efficiency Advanced Feature 4-Channel PMIC

6.7.11 Register HVBUCK_CONF17

Address	Name	POR value
0x0085	HVBUCK_CONF17	0x55

7	6	5	4	3	2	1	0
DRVH_DRV1_DRV3		DRVHR_DLY3		DRVHR_DLY2		DRVHR_DLY1	

Field Name	Bits	Type	POR	Description	
DRVH_DRV1_DRV3	[7:6]	RW OTP	0x1	DRVH driving capability during rising interval T1 and T3	
				Value	Description
				0x0	00: x1
				0x1 (POR)	01: x2
				0x2	10: x3
0x3	11: x4				
DRVHR_DLY3	[5:4]	RW OTP	0x1	DRVH rising interval of T3	
				Value	Description
				0x0	00: 0nS
				0x1 (POR)	01: 10nS
				0x2	10: 20nS
0x3	11: 30nS				
DRVHR_DLY2	[3:2]	RW OTP	0x1	DRVH rising interval of T2	
				Value	Description
				0x0	00: 3nS
				0x1 (POR)	01: 6nS
				0x2	10: 9nS
0x3	11: 12nS				
DRVHR_DLY1	[1:0]	RW OTP	0x1	DRVH rising interval of T1	
				Value	Description
				0x0	00: 0nS
				0x1 (POR)	01: 2nS
				0x2	10: 4nS
0x3	11: 6nS				

High Efficiency Advanced Feature 4-Channel PMIC

6.7.12 Register HVBUCK_CONF18

Address	Name	POR value
0x0086	HVBUCK_CONF18	0x36

7	6	5	4	3	2	1	0
Reserved	DRVL_DET_FALL_DLY			Reserved 0	Reserved 1	DRVL_DRV	

Field Name	Bits	Type	POR	Description	
DRVL_DET_FALL_DLY	[6:4]	RW OTP	0x3	Filter time of DRVL=low detection	
				Value	Description
				0x0	000: 0nS
				0x1	001: 5nS
				0x2	010: 10nS
				0x3 (POR)	011: 15nS
				0x4	100: 20nS
				0x5	101: 25nS
DRVL_DRV	[1:0]	RW OTP	0x2	DRVL driving capability during rising and falling edges	
				Value	Description
				0x0	00: x1
				0x1	01: x2
				0x2 (POR)	10: x3
0x3	11: x4				

High Efficiency Advanced Feature 4-Channel PMIC

6.7.13 Register HVBUCK_CONF19

Address	Name	POR value
0x0087	HVBUCK_CONF19	0x54

7	6	5	4	3	2	1	0
DRV_L_DLY		DRVHF_DLY3		DRVHF_DLY2		DRVHF_DLY1	

Field Name	Bits	Type	POR	Description	
DRV_L_DLY	[7:6]	RW OTP	0x1	DRV_L rising and falling interval definition	
				Value	Description
				0x0	00: 5nS
				0x1 (POR)	01: 10nS
				0x2	10: 15nS
0x3	11: 20nS				
DRVHF_DLY3	[5:4]	RW OTP	0x1	DRVH falling interval of T3	
				Value	Description
				0x0	00: 5nS
				0x1 (POR)	01: 10nS
				0x2	10: 15nS
0x3	11: 20nS				
DRVHF_DLY2	[3:2]	RW OTP	0x1	DRVH falling interval of T2	
				Value	Description
				0x0	00: 3nS
				0x1 (POR)	01: 6nS
				0x2	10: 9nS
0x3	11: 12nS				
DRVHF_DLY1	[1:0]	RW OTP	0x0	DRVH falling interval of T1	
				Value	Description
				0x0 (POR)	00: 0nS
				0x1	01: 2nS
				0x2	10: 4nS
0x3	11: 6nS				

High Efficiency Advanced Feature 4-Channel PMIC

6.7.14 Register HVBUCK_CONF27

Address	Name	POR value
0x008F	HVBUCK_CONF27	0x7E

7	6	5	4	3	2	1	0
Reserved 0	Reserved 1	Reserved 1	Reserved 1	Reserved 1	Reserved 1	EN_PULL_LOW	Reserved 0

Field Name	Bits	Type	POR	Description	
EN_PULL_LOW	[1]	RW OTP	0x1	Turn on low-side MOS when HV buck is off	
				Value	Description
				0x0	0: disable, always hvbk_pull_low_SW_HVBK=0
			0x1 (POR)	1: enable, hvbk_pull_low_SW_HVBK=1 when HV buck is off (before HV buck is turned on and after HV buck is turned off after DAC count to 0x0 plus hvbk_fccm_extend)	

6.7.15 Register HVBUCK_CONF29

Address	Name	POR value
0x0091	HVBUCK_CONF29	0x1D

7	6	5	4	3	2	1	0
Reserved 0	Reserved 0	Reserved 0	Reserved 1	Reserved 1	Reserved 1	Reserved 0	EN_PWR_SW

Field Name	Bits	Type	POR	Description	
EN_PWR_SW	[0]	RW OTP	0x1	Enable of power switching	
				Value	Description
				0x0	0: always turn off power switch between VINBK1 pin (HV buck output) and AVDD_HVBK pin. hvbk_sw_vinbk1=0
			0x1 (POR)	1: turn on power switch between VINBK1 pin (HV buck output) and AVDD_HVBK pin (hvbk_sw_vinbk1=1) after hvbk_pgood=1 for 1ms.	

High Efficiency Advanced Feature 4-Channel PMIC

7 Application Information

7.1 Component Selection

7.1.1 Capacitors

Ref	Value	Tol.	Size [mm]	Height [mm]	Temp. Char.	Rating [V]	Part Number
AVDD	1 x 10 μ F	± 10 %	2012	1.45	X7R	10	C2012X7R1A106K125AC
AVDD_HVBK	1 x 10 μ F	± 10 %	2012	1.45	X7R	10	C2012X7R1A106K125AC
LDO5V	1 x 4.7 μ F	± 10 %	2012	1	X7R	10	C2012X7R1A475K085AC
LDO2P5V	1 x 1 μ F	± 10 %	1608	0.9	X7R	6.3	GRM188R70J105KA01D
VIN_Supply	1 x 100 nF	± 10 %	1608	0.9	X7R	50	GRM188R71H104KA93D
	1 x 10 μ F	± 10 %	2012	1.45	X5R	35	C2012X5R1V106K125AC
VBuck1, VBuck2, VBuck3,	1 x 100 nF	± 10 %	1608	0.9	X7R	50	GRM188R71H104KA93D
	1 x 10 μ F	± 10 %	2012	1.45	X5R	35	C2012X5R1V106K125AC
	2 x 47 μ F	± 20 %	2012	1.45	X5R	10	GRM21BR61A476ME15
HVBuck	2 x 100 nF	± 10 %	1608	0.9	X7R	50	GRM188R71H104KA93D
	1 x 100 nF	± 10 %	1608	0.9	X7R	16	GRM188R71C104KA01D
	4 x 10 μ F	± 20 %	3225	2.8	X7R	35	GJ832ER7YA106KA12
	10 x 47 μ F	± 20 %	2012	1.45	X5R	10	GRM21BR61A476ME15

7.1.2 Inductors

Ref	Value	ISAT [A]	IRMS [A]	DCR (typ) [m Ω]	Size (WxLxH) [mm]	Part Number
Buck1, Buck2, Buck3	1.5 μ H	11.5	11	9.7	7.1x6.5x3	TDK SPM6530T -1R5M
		11.5	11	9.7	7.1x6.5x3	TDK SPM6530T -1R5M
		11.5	11	9.7	7.1x6.5x3	TDK SPM6530T -1R5M
HVBuck	1.5 μ H	51	28	2.3	12.8x13.8x6.5	Cyntec CMLS136E-1R5MS

7.1.3 Resistors

Ref	Value	Tol.	Size [mm]	Height [mm]	Temp. Char.	Rating [W]	Part Number
HVBuck	0R	Jumper	1608	0.55	Jumper	0.1	RC0603JR-070RL
	24.9K	± 1 %	1608	0.55	± 100 ppm/ $^{\circ}$ C	0.1	RC0603FR-0724K9L
	100K	± 1 %	1608	0.55	± 100 ppm/ $^{\circ}$ C	0.1	RC0603FR-07100K9L

High Efficiency Advanced Feature 4-Channel PMIC

7.1.4 MOSFET

Ref	RDSON at VGS=4.5 V (mOhm)	Size (WxLxH) [mm]	VDS Rating [V]	Part Number
HVBuck	3.6	5.3x6.15x1	40	AON6232

High Efficiency Advanced Feature 4-Channel PMIC

7.2 PCB Layout Guide

7.2.1 LVBUCK converter

- Put all the power components C_{in} , L and C_{out} as close to chip as possible.
- Make the trace SWBK as thick and short as possible for lower parasitic impedances and lower EMI.
- Keep the trace FB_BK away from noisy trace for example: SWBK. And the start point of the FB_BK trace should be capacitor pad.
- Make the PGND loop trace as thick and short as possible to minimize the parasitic impedances.
- Make sure the power trace to load is thick enough or not too long when using the remote sensing topology. The parasitic inductance of the power trace should be lower than the equation as below.

$$\frac{1}{2\pi\sqrt{L_p \times C_{load}}} > 5 \times (\text{unit gain bandwidth})$$

where the unit gain bandwidth is around 100KHz for PV88080 LVBUCKs. For example, if the C_{load} is $4.7\mu\text{F}$, the L_p should lower than 21nH.

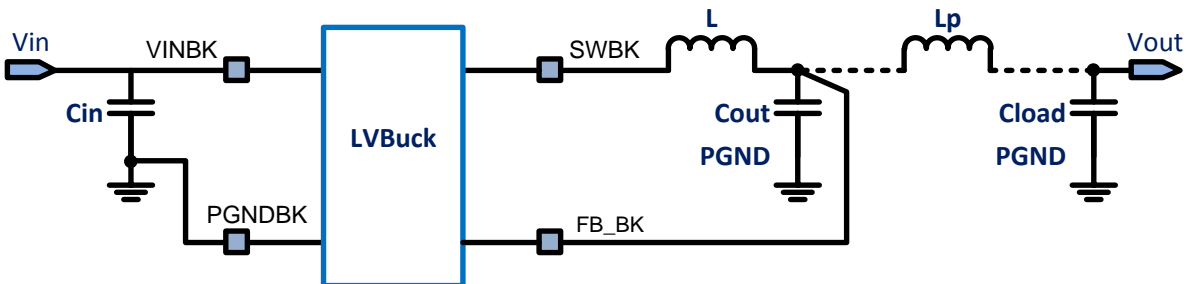


Figure 42: LVBuck Converter Block

High Efficiency Advanced Feature 4-Channel PMIC

7.2.2 HVBUCK controller

- Put the capacitors CBST and CAVDD_HV as close to the chip as possible.
- Put the feedback divider RFB1 and RFB2 and feedforward capacitor CFF close to the chip.
- Keep the trace FBBK and FB_HVBK away from noisy trace for example: DRVH, DRVL, SW_HVBK. And the start point of the FBBK trace should be Cout capacitor pad.
- Put all the power components Cin, M1, M2, L and Cout as close as possible to minimize the power loop. And make sure all the power trace be thick and short.
- Do not cross over the trace DRVH with DRVL, adding GND between them.
- Do not cross over the trace DRVL with SW_HVBK, adding GND between them.

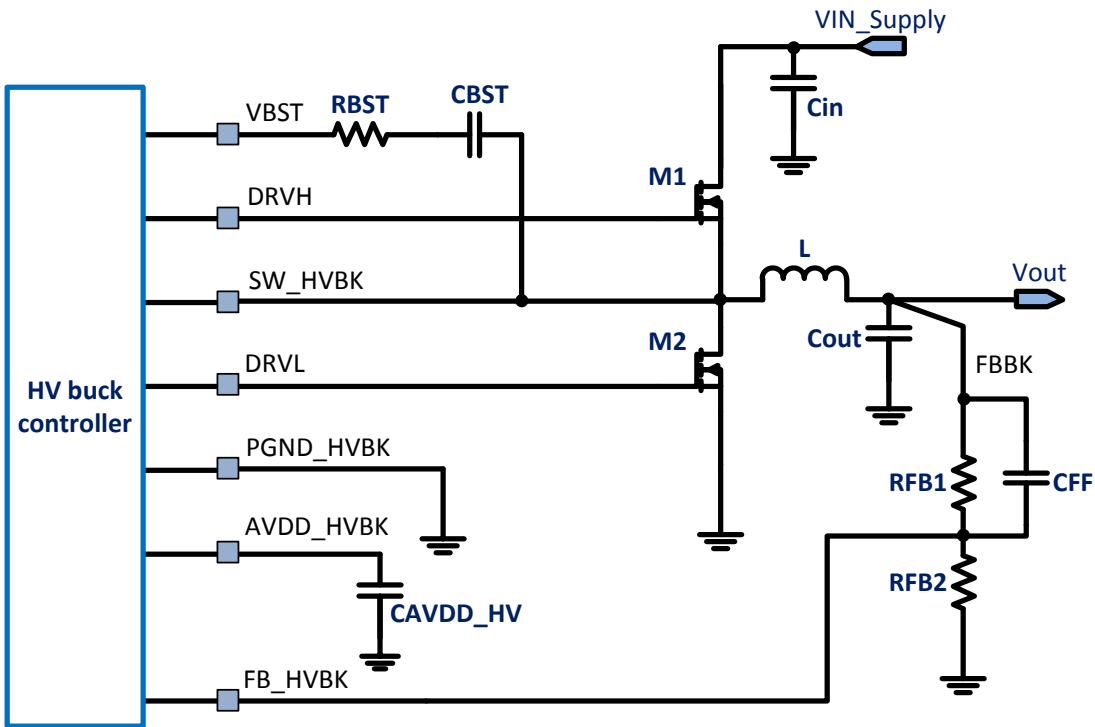


Figure 43: HVBUCK Controller Block

High Efficiency Advanced Feature 4-Channel PMIC

7.2.3 Other Stages

- Put the capacitors CHVLDO_in, CLDO_out, CAVDD_in and CLDO2_out as close to the chip as possible.
- Keep the I2C trace away from noisy trace, adding GND between SDA and SCL trace.
- Keep the trace GPIO2 away from noisy trace and keep RT as close to the chip when it be set to thermal sensing mode.
- Do not connect AGND to PGND directly. Using a 0R resistor or bead to connect them would be better.

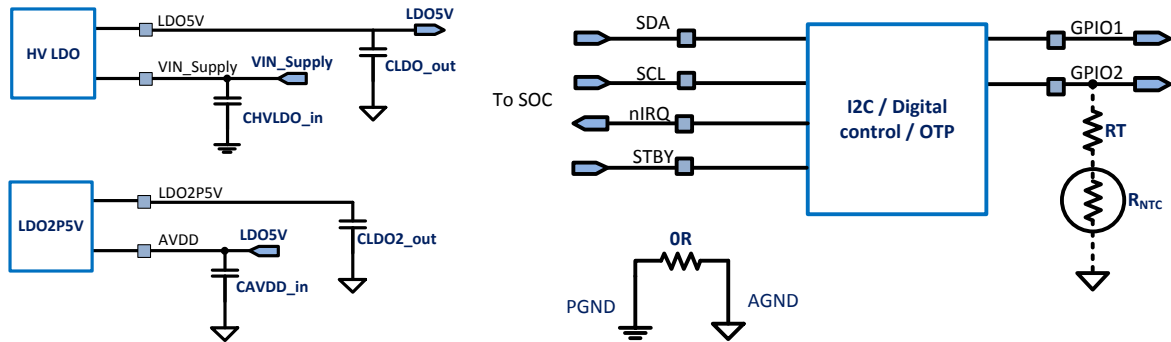


Figure 44: Analog and Digital Block

High Efficiency Advanced Feature 4-Channel PMIC

7.2.4 PCB Layout Reference

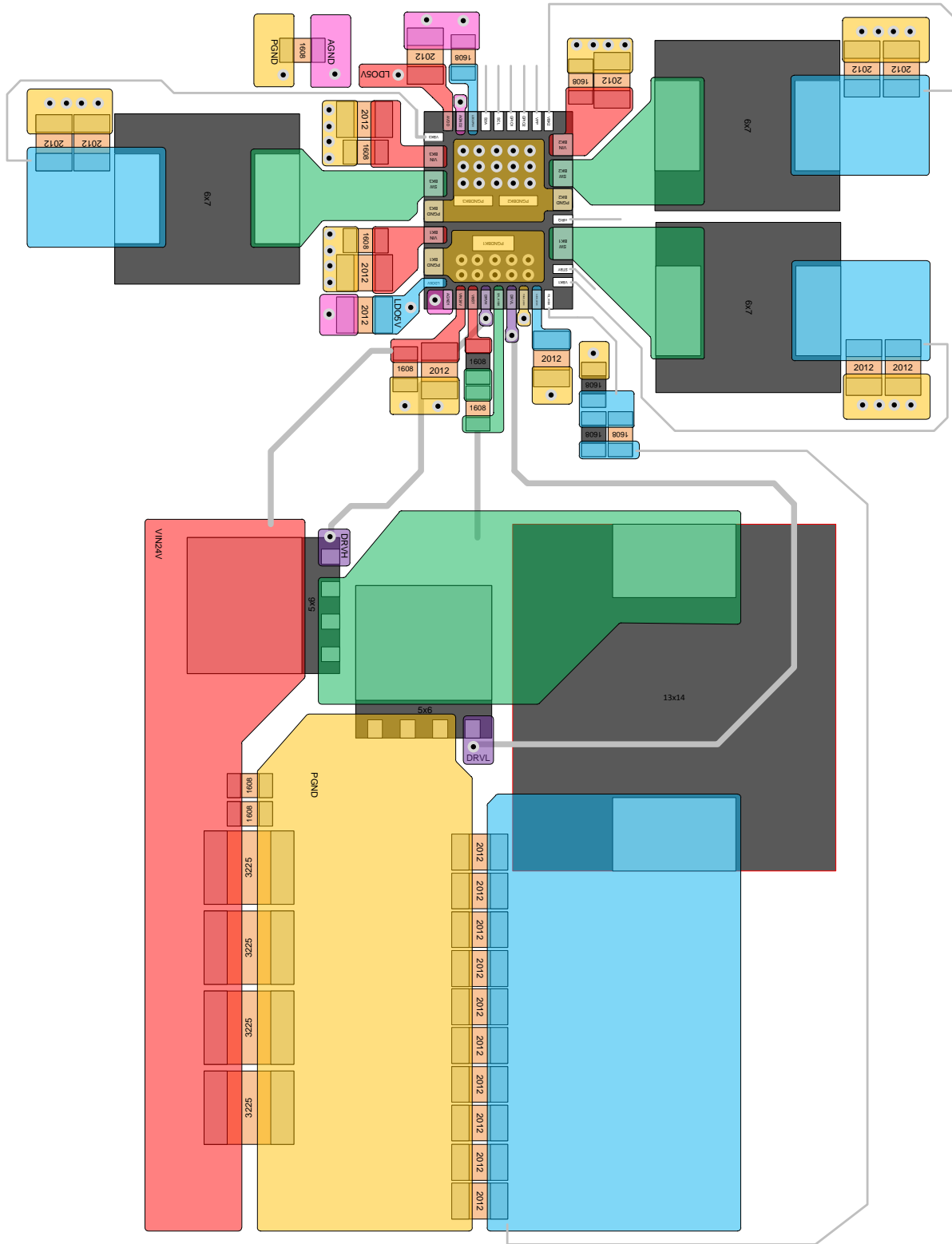


Figure 45: PCB Layout

8 Package Outline Drawing

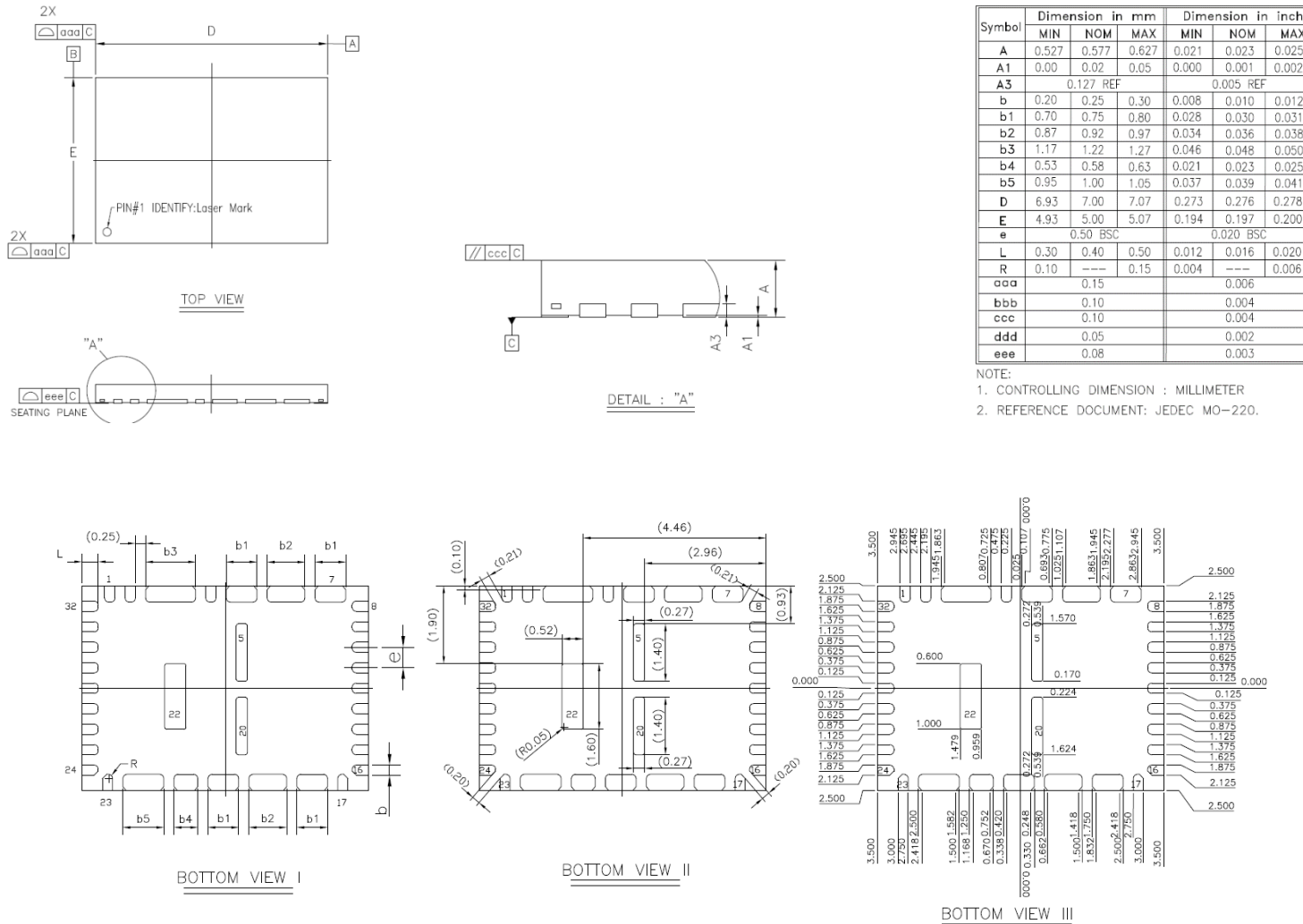


Figure 46: PV88080 Package Outline Drawing

High Efficiency Advanced Feature 4-Channel PMIC

9 Ordering Information

The ordering number consists of the part number followed by a suffix indicating the packing method. The xxx represents a placeholder for the specific OTP variant. For details and availability, please consult Dialog Semiconductor’s customer support portal or your local sales representative.

Table 24: Ordering Information

Part Number (Note 1)	Package Information	Package Description	Pack Outline
PV88080-xxxFR1	32 pin FC-MQFN	Waffle Tray	Figure 46
PV88080-xxxFR2	32 pin FC-MQFN	Tape and Reel	Figure 46

Note 1 xxx is the OTP variant. Please refer the detail information in OTP variant application note.



Package Marking (Laser)				
	Marking Content			
			Logo	
1st	P	V	8 8 0 8 0	Part No.
2nd	X	X	X	OTP Variant
3rd	y	y	w w z z z z	Date Code
Pin 1 Corner >	•			
Date Code Format: yy = Year, ww = Week, zzzz = see below				

Figure 47: PV88080 Package Marking

Where zzzz = first z is wafer fab, second z is assembly supplier, third and fourth z are unique lot identifiers.

High Efficiency Advanced Feature 4-Channel PMIC

Status Definitions

Revision	Datasheet Status	Product Status	Definition
1.<n>	Target	Development	This datasheet contains the design specifications for product development. Specifications may be changed in any manner without notice.
2.<n>	Preliminary	Qualification	This datasheet contains the specifications and preliminary characterization data for products in pre-production. Specifications may be changed at any time without notice in order to improve the design.
3.<n>	Final	Production	This datasheet contains the final specifications for products in volume production. The specifications may be changed at any time in order to improve the design, manufacturing and supply. Major specification changes are communicated via Customer Product Notifications. Datasheet changes are communicated via www.dialog-semiconductor.com .
4.<n>	Obsolete	Archived	This datasheet contains the specifications for discontinued products. The information is provided for reference only.

Disclaimer

Information in this document is believed to be accurate and reliable. However, Dialog Semiconductor does not give any representations or warranties, expressed or implied, as to the accuracy or completeness of such information. Dialog Semiconductor furthermore takes no responsibility whatsoever for the content in this document if provided by any information source outside of Dialog Semiconductor.

Dialog Semiconductor reserves the right to change without notice the information published in this document, including without limitation the specification and the design of the related semiconductor products, software and applications.

Applications, software, and semiconductor products described in this document are for illustrative purposes only. Dialog Semiconductor makes no representation or warranty that such applications, software and semiconductor products will be suitable for the specified use without further testing or modification. Unless otherwise agreed in writing, such testing or modification is the sole responsibility of the customer and Dialog Semiconductor excludes all liability in this respect.

Customer notes that nothing in this document may be construed as a license for customer to use the Dialog Semiconductor products, software and applications referred to in this document. Such license must be separately sought by customer with Dialog Semiconductor.

All use of Dialog Semiconductor products, software and applications referred to in this document are subject to Dialog Semiconductor's [Standard Terms and Conditions of Sale](http://www.dialog-semiconductor.com), available on the company website (www.dialog-semiconductor.com) unless otherwise stated.

Dialog and the Dialog logo are trademarks of Dialog Semiconductor plc or its subsidiaries. All other product or service names are the property of their respective owners.

© 2018 Dialog Semiconductor. All rights reserved.

RoHS Compliance

Dialog Semiconductor's suppliers certify that its products are in compliance with the requirements of Directive 2011/65/EU of the European Parliament on the restriction of the use of certain hazardous substances in electrical and electronic equipment. RoHS certificates from our suppliers are available on request.

Contacting Dialog Semiconductor

United Kingdom (Headquarters)

Dialog Semiconductor (UK) LTD
Phone: +44 1793 757700

Germany

Dialog Semiconductor GmbH
Phone: +49 7021 805-0

The Netherlands

Dialog Semiconductor B.V.
Phone: +31 73 640 8822

Email:

enquiry@diasemi.com

North America

Dialog Semiconductor Inc.
Phone: +1 408 845 8500

Japan

Dialog Semiconductor K. K.
Phone: +81 3 5425 4567

Taiwan

Dialog Semiconductor Taiwan
Phone: +886 281 786 222

Web site:

www.dialog-semiconductor.com

Hong Kong

Dialog Semiconductor Hong Kong
Phone: +852 3769 5200

Korea

Dialog Semiconductor Korea
Phone: +82 2 3469 8200

China (Shenzhen)

Dialog Semiconductor China
Phone: +86 755 2981 3669

China (Shanghai)

Dialog Semiconductor China
Phone: +86 21 5424 9058

IMPORTANT NOTICE AND DISCLAIMER

RENESAS ELECTRONICS CORPORATION AND ITS SUBSIDIARIES (“RENESAS”) PROVIDES TECHNICAL SPECIFICATIONS AND RELIABILITY DATA (INCLUDING DATASHEETS), DESIGN RESOURCES (INCLUDING REFERENCE DESIGNS), APPLICATION OR OTHER DESIGN ADVICE, WEB TOOLS, SAFETY INFORMATION, AND OTHER RESOURCES “AS IS” AND WITH ALL FAULTS, AND DISCLAIMS ALL WARRANTIES, EXPRESS OR IMPLIED, INCLUDING, WITHOUT LIMITATION, ANY IMPLIED WARRANTIES OF MERCHANTABILITY, FITNESS FOR A PARTICULAR PURPOSE, OR NON-INFRINGEMENT OF THIRD PARTY INTELLECTUAL PROPERTY RIGHTS.

These resources are intended for developers skilled in the art designing with Renesas products. You are solely responsible for (1) selecting the appropriate products for your application, (2) designing, validating, and testing your application, and (3) ensuring your application meets applicable standards, and any other safety, security, or other requirements. These resources are subject to change without notice. Renesas grants you permission to use these resources only for development of an application that uses Renesas products. Other reproduction or use of these resources is strictly prohibited. No license is granted to any other Renesas intellectual property or to any third party intellectual property. Renesas disclaims responsibility for, and you will fully indemnify Renesas and its representatives against, any claims, damages, costs, losses, or liabilities arising out of your use of these resources. Renesas' products are provided only subject to Renesas' Terms and Conditions of Sale or other applicable terms agreed to in writing. No use of any Renesas resources expands or otherwise alters any applicable warranties or warranty disclaimers for these products.

(Disclaimer Rev.1.0 Mar 2020)

Corporate Headquarters

TOYOSU FORESIA, 3-2-24 Toyosu,
Koto-ku, Tokyo 135-0061, Japan
www.renesas.com

Contact Information

For further information on a product, technology, the most up-to-date version of a document, or your nearest sales office, please visit:
www.renesas.com/contact/

Trademarks

Renesas and the Renesas logo are trademarks of Renesas Electronics Corporation. All trademarks and registered trademarks are the property of their respective owners.