

## General Description

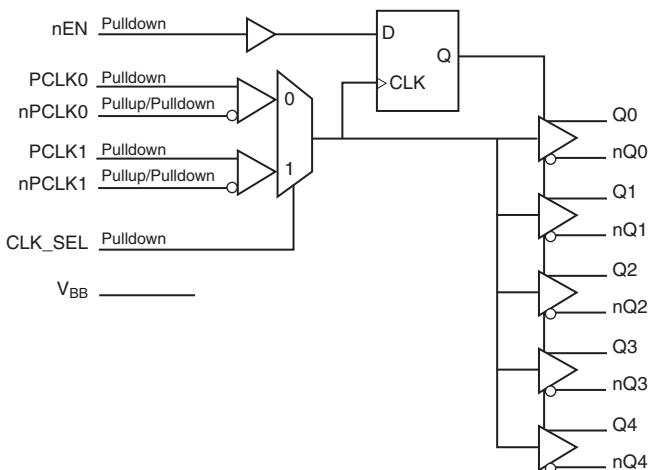
The ICS853S014I is a low skew, high performance 1-to-5, 2.5V/3.3V Differential-to-LVPECL/ECL Fanout Buffer. The ICS853S014I has two selectable clock inputs.

Guaranteed output and part-to-part skew characteristics make the ICS853S014I ideal for those applications demanding well defined performance and repeatability.

## Features

- Five differential LVPECL/ECL outputs
- Two selectable differential LVPECL clock inputs
- PCLKx, nPCLKx pairs can accept the following differential input levels: LVPECL, LVDS, CML, SSTL
- Maximum output frequency: 2GHz
- Output skew: 55ps (maximum)
- Part-to-part skew: 100ps (maximum)
- Propagation delay: 500ps (maximum)
- Additive phase jitter, RMS: 0.10ps (maximum)
- LVPECL mode operating voltage supply range:  $V_{CC} = 2.375V$  to  $3.8V$ ,  $V_{EE} = 0V$
- ECL mode operating voltage supply range:  $V_{CC} = 0V$ ,  $V_{EE} = -3.8V$  to  $-2.375V$
- $-40^{\circ}C$  to  $85^{\circ}C$  ambient operating temperature
- Lead-free (RoHS 6) packaging

## Block Diagram



## Pin Assignment

|     |    |    |                 |
|-----|----|----|-----------------|
| Q0  | 1  | 20 | V <sub>CC</sub> |
| nQ0 | 2  | 19 | nEN             |
| Q1  | 3  | 18 | V <sub>CC</sub> |
| nQ1 | 4  | 17 | nPCLK1          |
| Q2  | 5  | 16 | PCLK1           |
| nQ2 | 6  | 15 | V <sub>BB</sub> |
| Q3  | 7  | 14 | nPCLK0          |
| nQ3 | 8  | 13 | PCLK0           |
| Q4  | 9  | 12 | CLK_SEL         |
| nQ4 | 10 | 11 | V <sub>EE</sub> |

**ICS853S014I**

**20-Lead TSSOP**

**6.5mm x 4.4mm x 0.925mm package body**

**G Package**

**Top View**

## Pin Description and Pin Characteristic Table

**Table 1. Pin Descriptions**

| Number | Name            | Type   |                     | Description                                                                                                                                                                      |
|--------|-----------------|--------|---------------------|----------------------------------------------------------------------------------------------------------------------------------------------------------------------------------|
| 1, 2   | Q0, nQ0         | Output |                     | Differential output pair. LVPECL/ECL interface levels.                                                                                                                           |
| 3, 4   | Q1, nQ1         | Output |                     | Differential output pair. LVPECL/ECL interface levels.                                                                                                                           |
| 5, 6   | Q2, nQ2         | Output |                     | Differential output pair. LVPECL/ECL interface levels.                                                                                                                           |
| 7, 8   | Q3, nQ3         | Output |                     | Differential output pair. LVPECL/ECL interface levels.                                                                                                                           |
| 9, 10  | Q4, nQ4         | Output |                     | Differential output pair. LVPECL/ECL interface levels.                                                                                                                           |
| 11     | V <sub>EE</sub> | Power  |                     | Negative supply pin.                                                                                                                                                             |
| 12     | CLK_SEL         | Input  | Pulldown            | Clock select input. When HIGH, selects PCLK1, nPCLK1 inputs. When LOW, selects PCLK0, nPCLK0 inputs. Single-ended LVPECL interface levels.                                       |
| 13     | PCLK0           | Input  | Pulldown            | Non-inverting differential LVPECL clock input.                                                                                                                                   |
| 14     | nPCLK0          | Input  | Pullup/<br>Pulldown | Inverting differential LVPECL clock input. V <sub>CC</sub> /2 default when left floating.                                                                                        |
| 15     | V <sub>BB</sub> | Output |                     | Bias voltage.                                                                                                                                                                    |
| 16     | PCLK1           | Input  | Pulldown            | Non-inverting differential LVPECL clock input.                                                                                                                                   |
| 17     | nPCLK1          | Input  | Pullup/<br>Pulldown | Inverting differential LVPECL clock input. V <sub>CC</sub> /2 default when left floating.                                                                                        |
| 18, 20 | V <sub>CC</sub> | Power  |                     | Positive supply pins.                                                                                                                                                            |
| 19     | nEN             | Input  | Pulldown            | Synchronizing clock enable. When LOW, clock outputs follow clock input. When HIGH, Qx outputs are forced low, nQx outputs are forced high. Single-ended LVPECL interface levels. |

NOTE: *Pulldown* refer to internal input resistors. See Table 2, *Pin Characteristics*, for typical values.

**Table 2. Pin Characteristics**

| Symbol                | Parameter                 | Test Conditions | Minimum | Typical | Maximum | Units |
|-----------------------|---------------------------|-----------------|---------|---------|---------|-------|
| R <sub>PULLDOWN</sub> | Input Pulldown Resistor   |                 |         | 37      |         | kΩ    |
| R <sub>VCC/2</sub>    | Pullup/Pulldown Resistors |                 |         | 37      |         | kΩ    |

## Function Tables

Table 3A. Control Input Function Table

| Inputs |         |                 | Outputs       |                |
|--------|---------|-----------------|---------------|----------------|
| nEN    | CLK_SEL | Selected Source | Q0:Q4         | nQ0:nQ4        |
| 1      | 0       | PCLK0, nPCLK0   | Disabled; Low | Disabled; High |
| 1      | 1       | PCLK1, nPCLK1   | Disabled; Low | Disabled; High |
| 0      | 0       | PCLK0, nPCLK0   | Enabled       | Enabled        |
| 0      | 1       | PCLK1, nPCLK1   | Enabled       | Enabled        |

After nEN switches, the clock outputs are disabled or enabled following a falling input clock edge as shown in Figure 1. In the active mode, the state of the outputs are a function of the PCLK0, nPCLK0 and PCLK1, nPCLK1 inputs as described in Table 3B.

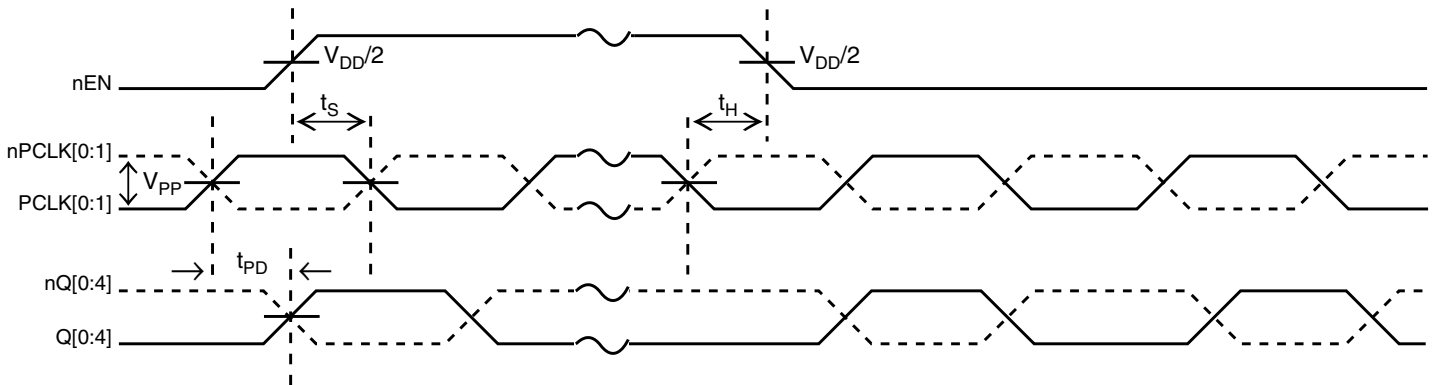


Figure 1. nEN Timing Diagram

Table 3B. Clock Input Function Table

| Inputs         |                  | Outputs |         | Input to Output Mode         | Polarity      |
|----------------|------------------|---------|---------|------------------------------|---------------|
| PCLK0 or PCLK1 | nPCLK0 or nPCLK1 | Q0:Q4   | nQ0:nQ4 |                              |               |
| 0              | 1                | LOW     | HIGH    | Differential to Differential | Non-Inverting |
| 1              | 0                | HIGH    | LOW     | Differential to Differential | Non-Inverting |
| 0              | Biased; NOTE 1   | LOW     | HIGH    | Single-Ended to Differential | Non-Inverting |
| 1              | Biased; NOTE 1   | HIGH    | LOW     | Single-Ended to Differential | Non-Inverting |
| Biased; NOTE 1 | 0                | HIGH    | LOW     | Single-Ended to Differential | Inverting     |
| Biased; NOTE 1 | 1                | LOW     | HIGH    | Single-Ended to Differential | Inverting     |

NOTE 1: Please refer to the Application Information section. *Wiring the Differential Input to Accept Single-ended Levels.*

## Absolute Maximum Ratings

NOTE: Stresses beyond those listed under *Absolute Maximum Ratings* may cause permanent damage to the device. These ratings are stress specifications only. Functional operation of product at these conditions or any conditions beyond those listed in the *DC Characteristics* or *AC Characteristics* is not implied. Exposure to absolute maximum rating conditions for extended periods may affect product reliability.

| Item                                                  | Rating                             |
|-------------------------------------------------------|------------------------------------|
| Supply Voltage, $V_{CC}$                              | 4.6V (LVPECL mode, $V_{EE} = 0V$ ) |
| Negative Supply Voltage, $V_{EE}$                     | -4.6V (ECL mode, $V_{CC} = 0V$ )   |
| Inputs, $V_I$ (LVPECL mode)                           | -0.5V to $V_{CC} + 0.5V$           |
| Inputs, $V_I$ (ECL mode)                              | 0.5V to $V_{EE} - 0.5V$            |
| Outputs, $I_O$<br>Continuous Current<br>Surge Current | 50mA<br>100mA                      |
| $V_{BB}$ Sink//Source, $I_{BB}$                       | $\pm 0.5mA$                        |
| Operating Temperature Range, $T_A$                    | -40°C to +85°C                     |
| Package Thermal Impedance, $\theta_{JA}$              | 92.1°C/W (0 mps)                   |
| Storage Temperature, $T_{STG}$                        | -65°C to 150°C                     |

## DC Electrical Characteristics

**Table 4A. Power Supply DC Characteristics,  $V_{CC} = 2.375V$  to  $3.8V$ ;  $V_{EE} = 0V$ ,  $T_A = -40^\circ C$  to  $85^\circ C$**

| Symbol   | Parameter               | Test Conditions | Minimum | Typical | Maximum | Units |
|----------|-------------------------|-----------------|---------|---------|---------|-------|
| $V_{CC}$ | Positive Supply Voltage |                 | 2.375   | 3.3     | 3.8     | V     |
| $I_{EE}$ | Power Supply Current    |                 |         |         | 68      | mA    |

**Table 4B. DC Characteristics,  $V_{CC} = 3.3V$ ;  $V_{EE} = 0V$ ,  $T_A = -40^{\circ}C$  to  $85^{\circ}C$** 

| Symbol    | Parameter                                    |                                | -40°C |       |       | 25°C  |       |       | 85°C  |       |       | Units   |
|-----------|----------------------------------------------|--------------------------------|-------|-------|-------|-------|-------|-------|-------|-------|-------|---------|
|           |                                              |                                | Min   | Typ   | Max   | Min   | Typ   | Max   | Min   | Typ   | Max   |         |
| $V_{OH}$  | Output High Voltage; NOTE 1                  |                                | 2.175 | 2.275 | 2.50  | 2.225 | 2.295 | 2.495 | 2.22  | 2.295 | 2.485 | V       |
| $V_{OL}$  | Output Low Voltage; NOTE 1                   |                                | 1.405 | 1.545 | 1.68  | 1.425 | 1.52  | 1.615 | 1.44  | 1.535 | 1.63  | V       |
| $V_{IH}$  | Input High Voltage (CLK_SEL, nEN)            |                                | 2.075 |       | 2.36  | 2.075 |       | 2.36  | 2.075 |       | 2.36  | V       |
| $V_{IL}$  | Input Low Voltage (CLK_SEL, nEN)             |                                | 1.43  |       | 1.765 | 1.43  |       | 1.765 | 1.43  |       | 1.765 | V       |
| $V_{BB}$  | Output Voltage Reference; NOTE 2             |                                | 1.72  |       | 1.98  | 1.72  |       | 1.98  | 1.72  |       | 1.98  | V       |
| $V_{CMR}$ | Input High Voltage Common Mode Range; NOTE 3 |                                | 1.2   |       | 3.3   | 1.2   |       | 3.3   | 1.2   |       | 3.3   | V       |
| $V_{PP}$  | Peak-to-Peak Input Voltage; NOTE 4           |                                | 150   | 800   | 1200  | 150   | 800   | 1200  | 150   | 800   | 1200  | mV      |
| $I_{IH}$  | Input High Current                           | PCLK0, PCLK1<br>nPCLK0, nPCLK1 |       |       | 150   |       |       | 150   |       |       | 150   | $\mu A$ |
| $I_{IL}$  | Input Low Current                            | PCLK0, PCLK1                   | -10   |       |       | -10   |       |       | -10   |       |       | $\mu A$ |
|           |                                              | nPCLK0, nPCLK1                 | -150  |       |       | -150  |       |       | -150  |       |       | $\mu A$ |

NOTE: Input and output parameters vary 1:1 with  $V_{CC}$ .  $V_{EE}$  can vary +0.925V to -0.5V.

NOTE 1: Outputs terminated with  $50\Omega$  to  $V_{CC} - 2V$ .

NOTE 2: Single-ended input operation is limited.  $V_{CC} \geq 3V$  in LVPECL mode.

NOTE 3: Common mode voltage is defined as  $V_{IH}$  for the differential inputs.

NOTE 4: The  $V_{CMR}$  and  $V_{PP}$  levels should be such that input low voltage never goes below  $V_{EE}$ .

**Table 4C. LVPECL DC Characteristics,  $V_{CC} = 2.5V$ ;  $V_{EE} = 0V$ ,  $T_A = -40^{\circ}C$  to  $85^{\circ}C$** 

| Symbol    | Parameter                                    |                                | -40°C |       |       | 25°C  |       |       | 85°C  |       |       | Units   |
|-----------|----------------------------------------------|--------------------------------|-------|-------|-------|-------|-------|-------|-------|-------|-------|---------|
|           |                                              |                                | Min   | Typ   | Max   | Min   | Typ   | Max   | Min   | Typ   | Max   |         |
| $V_{OH}$  | Output High Voltage; NOTE 1                  |                                | 1.375 | 1.475 | 1.70  | 1.425 | 1.495 | 1.69  | 1.42  | 1.495 | 1.685 | V       |
| $V_{OL}$  | Output Low Voltage; NOTE 1                   |                                | 0.605 | 0.745 | 0.88  | 0.625 | 0.72  | 0.86  | 0.64  | 0.735 | 0.85  | V       |
| $V_{IH}$  | Input High Voltage (CLK_SEL, nEN)            |                                | 1.275 |       | 1.56  | 1.275 |       | 1.56  | 1.275 |       | 1.56  | V       |
| $V_{IL}$  | Input Low Voltage (CLK_SEL, nEN)             |                                | 0.63  |       | 0.965 | 0.63  |       | 0.965 | 0.63  |       | 0.965 | V       |
| $V_{CMR}$ | Input High Voltage Common Mode Range; NOTE 2 |                                | 1.2   |       | 2.5   | 1.2   |       | 2.5   | 1.2   |       | 2.5   | V       |
| $V_{PP}$  | Peak-to-Peak Input Voltage; NOTE 3           |                                | 150   | 800   | 1200  | 150   | 800   | 1200  | 150   | 800   | 1200  | mV      |
| $I_{IH}$  | Input High Current                           | PCLK0, PCLK1<br>nPCLK0, nPCLK1 |       |       | 150   |       |       | 150   |       |       | 150   | $\mu A$ |
| $I_{IL}$  | Input Low Current                            | PCLK0, PCLK1                   | -10   |       |       | -10   |       |       | -10   |       |       | $\mu A$ |
|           |                                              | nPCLK0, nPCLK1                 | -150  |       |       | -150  |       |       | -150  |       |       | $\mu A$ |

NOTE: Input and output parameters vary 1:1 with  $V_{CC}$ .  $V_{EE}$  can vary +0.925V to -0.5V.

NOTE 1: Outputs terminated with  $50\Omega$  to  $V_{CC} - 2V$ .

NOTE 2: Common mode voltage is defined as  $V_{IH}$  for the differential inputs.

NOTE 3: The  $V_{CMR}$  and  $V_{PP}$  levels should be such that input low voltage never goes below  $V_{EE}$ .

**Table 4D. ECL DC Characteristics,  $V_{CC} = 0V$ ;  $V_{EE} = -3.8V$  to  $-2.375V$ ,  $T_A = -40^{\circ}C$  to  $85^{\circ}C$** 

| Symbol    | Parameter                                    |                | -40°C        |        |        | 25°C         |        |        | 85°C         |        |        | Units   |
|-----------|----------------------------------------------|----------------|--------------|--------|--------|--------------|--------|--------|--------------|--------|--------|---------|
|           |                                              |                | Min          | Typ    | Max    | Min          | Typ    | Max    | Min          | Typ    | Max    |         |
| $V_{OH}$  | Output High Voltage; NOTE 1                  |                | -1.125       | -1.025 | -0.80  | -1.075       | -1.005 | -0.805 | -1.08        | -1.005 | -0.815 | V       |
| $V_{OL}$  | Output Low Voltage; NOTE 1                   |                | -1.895       | -1.755 | -1.62  | -1.875       | -1.78  | -1.685 | -1.86        | -1.765 | -1.67  | V       |
| $V_{IH}$  | Input High Voltage (CLK_SEL, nEN)            |                | -1.225       |        | -0.94  | -1.225       |        | -0.94  | -1.225       |        | -0.94  | V       |
| $V_{IL}$  | Input Low Voltage (CLK_SEL, nEN)             |                | -1.87        |        | -1.535 | -1.87        |        | -1.535 | -1.87        |        | -1.535 | V       |
| $V_{BB}$  | Output Voltage Reference; NOTE 2             |                | -1.58        |        | -1.32  | -1.58        |        | -1.32  | -1.58        |        | -1.32  | V       |
| $V_{CMR}$ | Input High Voltage Common Mode Range; NOTE 3 |                | $V_{EE}+1.2$ |        | 0      | $V_{EE}+1.2$ |        | 0      | $V_{EE}+1.2$ |        | 0      | V       |
| $V_{PP}$  | Peak-to-Peak Input Voltage; NOTE 4           |                | 150          | 800    | 1200   | 150          | 800    | 1200   | 150          | 800    | 1200   | mV      |
| $I_{IH}$  | Input High Current                           | PCLK0, PCLK1   |              |        | 150    |              |        | 150    |              |        | 150    | $\mu A$ |
|           |                                              | nPCLK0, nPCLK1 |              |        |        |              |        |        |              |        |        |         |
| $I_{IL}$  | Input Low Current                            | PCLK0, PCLK1   | -10          |        |        | -10          |        |        | -10          |        |        | $\mu A$ |
|           |                                              | nPCLK0, nPCLK1 | -150         |        |        | -150         |        |        | -150         |        |        | $\mu A$ |

NOTE: Input and output parameters vary 1:1 with  $V_{CC}$ .  $V_{EE}$  can vary +0.925V to -0.5V.

NOTE 1: Outputs terminated with  $50\Omega$  to  $V_{CC} - 2V$ .

NOTE 2: Single-ended input operation is limited.  $V_{CC} \geq 3V$  in LVPECL mode.

NOTE 3: Common mode voltage is defined as  $V_{IH}$  for the differential inputs.

NOTE 4: The  $V_{CMR}$  and  $V_{PP}$  levels should be such that input low voltage never goes below  $V_{EE}$ .

## AC Electrical Characteristics

**Table 5. AC Characteristics,  $V_{CC} = -3.8V$  to  $-2.375V$  or ,  $V_{CC} = 2.375V$  to  $3.8V$ ;  $V_{EE} = 0V$ ,  $T_A = -40^{\circ}C$  to  $85^{\circ}C$**

| Symbol       | Parameter                                                                                                       | $-40^{\circ}C$ |      |      | $25^{\circ}C$ |      |      | $85^{\circ}C$ |      |      | Units |
|--------------|-----------------------------------------------------------------------------------------------------------------|----------------|------|------|---------------|------|------|---------------|------|------|-------|
|              |                                                                                                                 | Min            | Typ  | Max  | Min           | Typ  | Max  | Min           | Typ  | Max  |       |
| $f_{MAX}$    | Output Frequency                                                                                                |                |      | 2    |               |      | 2    |               |      | 2    | GHz   |
| $t_{PD}$     | Propagation Delay; NOTE 1                                                                                       | 250            |      | 425  | 300           |      | 450  | 350           |      | 500  | ps    |
| $t_{jit}$    | Buffer Additive Phase Jitter, RMS; refer to Additive Phase Jitter Section ( $f = 156.25MHz$ , $12kHz - 20MHz$ ) |                | 0.06 | 0.10 |               | 0.07 | 0.10 |               | 0.08 | 0.10 | ps    |
| $t_{sk(o)}$  | Output Skew; NOTE 2, 4                                                                                          |                |      | 55   |               |      | 55   |               |      | 55   | ps    |
| $t_{sk(pp)}$ | Part-to-Part Skew; NOTE 3, 4                                                                                    |                |      | 100  |               |      | 100  |               |      | 100  | ps    |
| $t_R / t_F$  | Output Rise/Fall Time                                                                                           | 20% to 80%     | 70   | 220  | 80            |      | 220  | 90            |      | 220  | ps    |
| $t_S$        | Clock Enable Setup Time                                                                                         |                | 100  | 50   |               | 100  | 50   |               | 100  | 50   | ps    |
| $t_H$        | Clock Enable Hold Time                                                                                          |                | 200  | 140  |               | 200  | 140  |               | 200  | 140  | ps    |

NOTE: All parameters are measured at  $f \leq 1GHz$ , unless otherwise noted.

NOTE: Electrical parameters are guaranteed over the specified ambient operating temperature range, which is established when the device is mounted in a test socket with maintained transverse airflow greater than 500 lpm. The device will meet specifications after thermal equilibrium has been reached under these conditions.

NOTE 1: Measured from the differential input crossing point to the differential output crossing point.

NOTE 2: Defined as skew between outputs at the same supply voltage and with equal load conditions.

Measured at the output differential cross points.

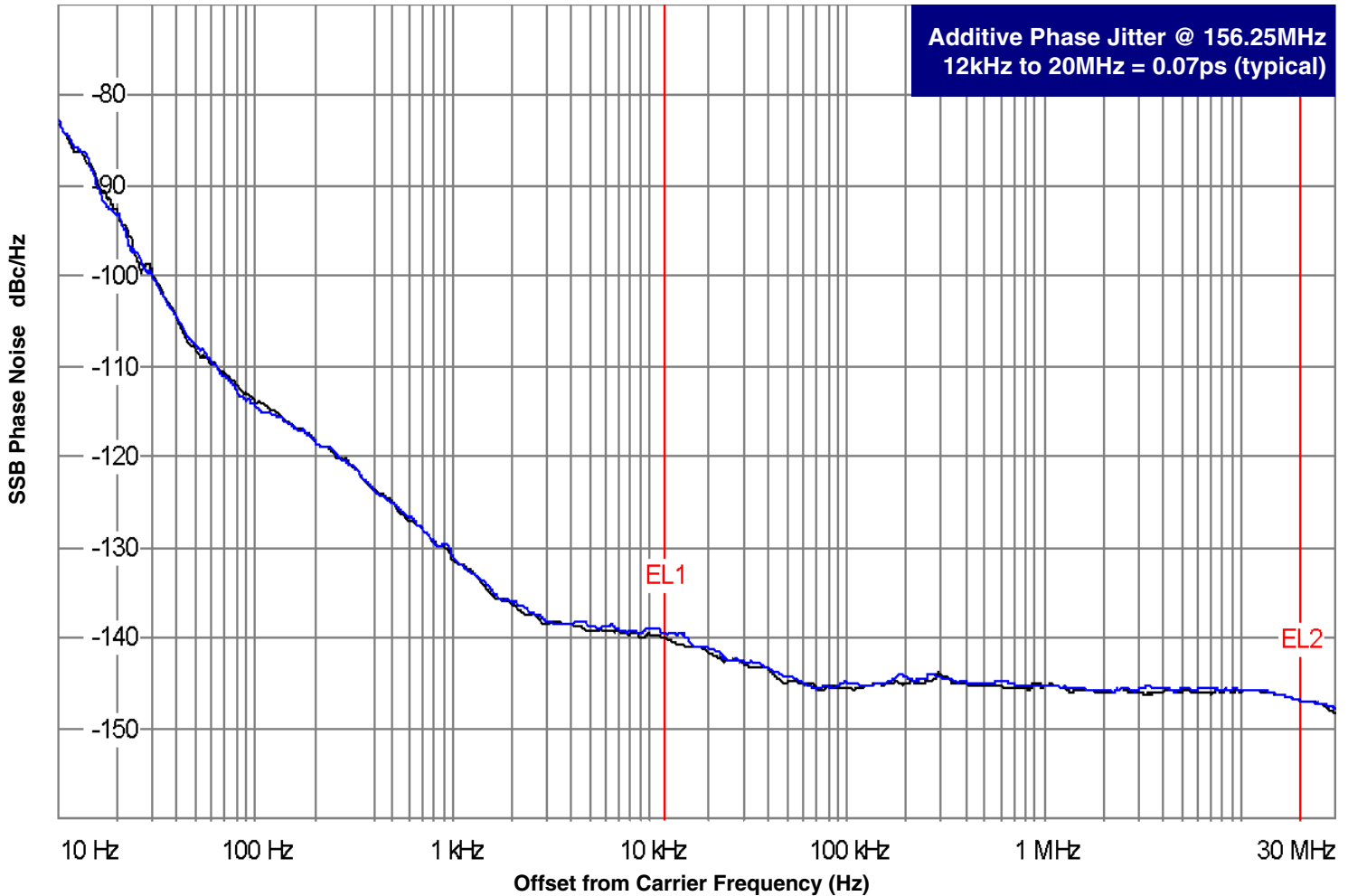
NOTE 3: Defined as skew between outputs on different devices operating at the same supply voltage, same temperature, same frequency and with equal load conditions. Using the same type of inputs on each device, the outputs are measured at the differential cross points.

NOTE 4: This parameter is defined in accordance with JEDEC Standard 65.

## Additive Phase Jitter

The spectral purity in a band at a specific offset from the fundamental compared to the power of the fundamental is called the **dBc Phase Noise**. This value is normally expressed using a Phase noise plot and is most often the specified plot in many applications. Phase noise is defined as the ratio of the noise power present in a 1Hz band at a specified offset from the fundamental frequency to the power value of the fundamental. This ratio is expressed in decibels (dBm) or a ratio

of the power in the 1Hz band to the power in the fundamental. When the required offset is specified, the phase noise is called a **dBc** value, which simply means dBm at a specified offset from the fundamental. By investigating jitter in the frequency domain, we get a better understanding of its effects on the desired application over the entire time record of the signal. It is mathematically possible to calculate an expected bit error rate given a phase noise plot.

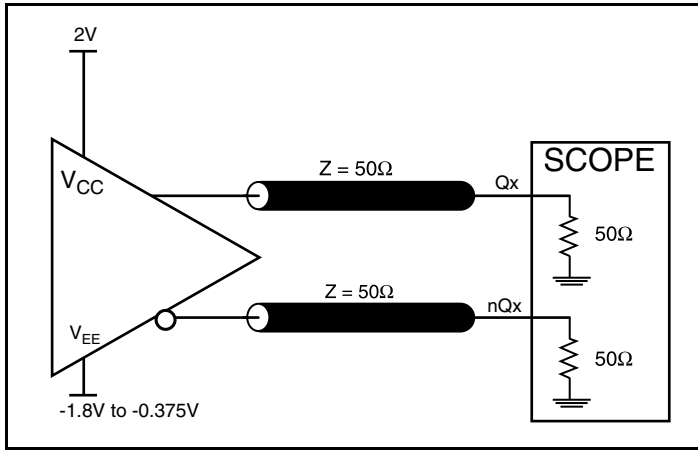


As with most timing specifications, phase noise measurements has issues relating to the limitations of the equipment. Often the noise floor of the equipment is higher than the noise floor of the device. This is illustrated above. The device meets the noise floor of what is shown, but can actually be lower. The phase noise is dependent on the input source and measurement equipment.

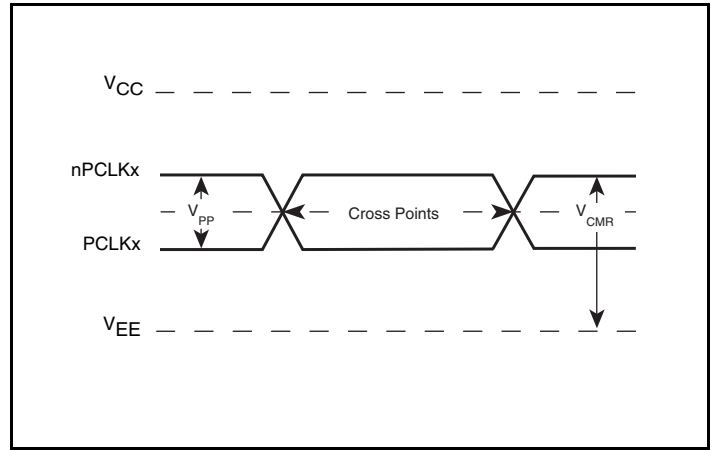
The source generator "IFR2042 10kHz – 5.4GHz Low Noise Signal Generator used as external input to an Agilent 8133A 3GHz Pulse Generator".



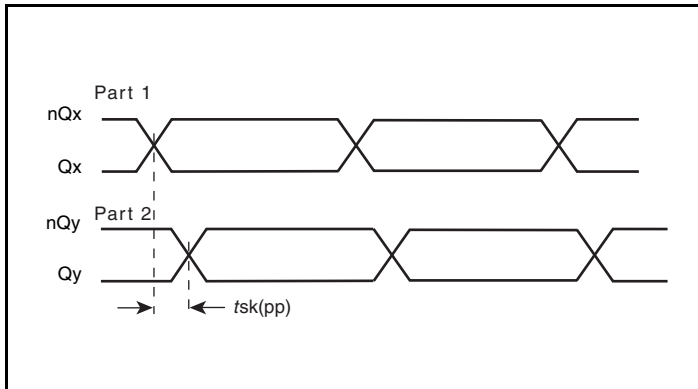
## Parameter Measurement Information



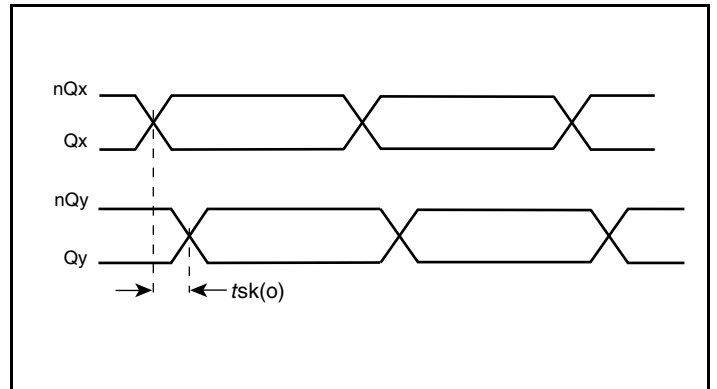
LVPECL Output Load Test Circuit



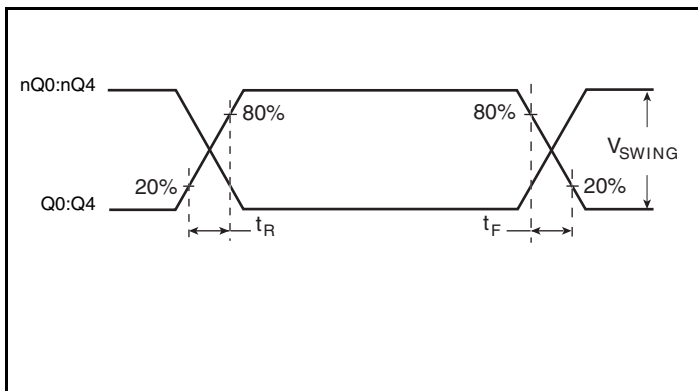
Differential Input Level



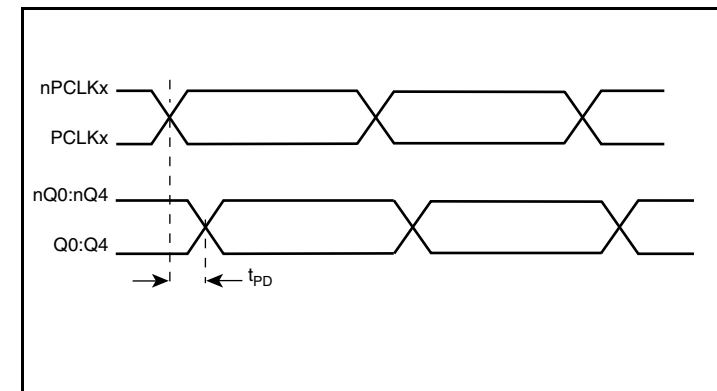
Part-to-Part Skew



Output Skew



Output Rise/Fall Time



Propagation Delay

## Applications Information

### Wiring the Differential Input to Accept Single-Ended Levels

Figure 2 shows how a differential input can be wired to accept single ended levels. The reference voltage  $V_1 = V_{CC}/2$  is generated by the bias resistors R1 and R2. The bypass capacitor (C1) is used to help filter noise on the DC bias. This bias circuit should be located as close to the input pin as possible. The ratio of R1 and R2 might need to be adjusted to position the  $V_1$  in the center of the input voltage swing. For example, if the input clock swing is 2.5V and  $V_{CC} = 3.3V$ , R1 and R2 value should be adjusted to set  $V_1$  at 1.25V. The values below are for when both the single ended swing and  $V_{CC}$  are at the same voltage. This configuration requires that the sum of the output impedance of the driver ( $R_o$ ) and the series resistance ( $R_s$ ) equals the transmission line impedance. In addition, matched termination at the input will attenuate the signal in half. This can be done in one of two ways. First, R3 and R4 in parallel should equal the transmission line

impedance. For most 50Ω applications, R3 and R4 can be 100Ω. The values of the resistors can be increased to reduce the loading for slower and weaker LVCMOS driver. When using single-ended signaling, the noise rejection benefits of differential signaling are reduced. Even though the differential input can handle full rail LVCMOS signaling, it is recommended that the amplitude be reduced. The datasheet specifies a lower differential amplitude, however this only applies to differential signals. For single-ended applications, the swing can be larger, however  $V_{IL}$  cannot be less than -0.3V and  $V_{IH}$  cannot be more than  $V_{CC} + 0.3V$ . Though some of the recommended components might not be used, the pads should be placed in the layout. They can be utilized for debugging purposes. The datasheet specifications are characterized and guaranteed by using a differential signal.

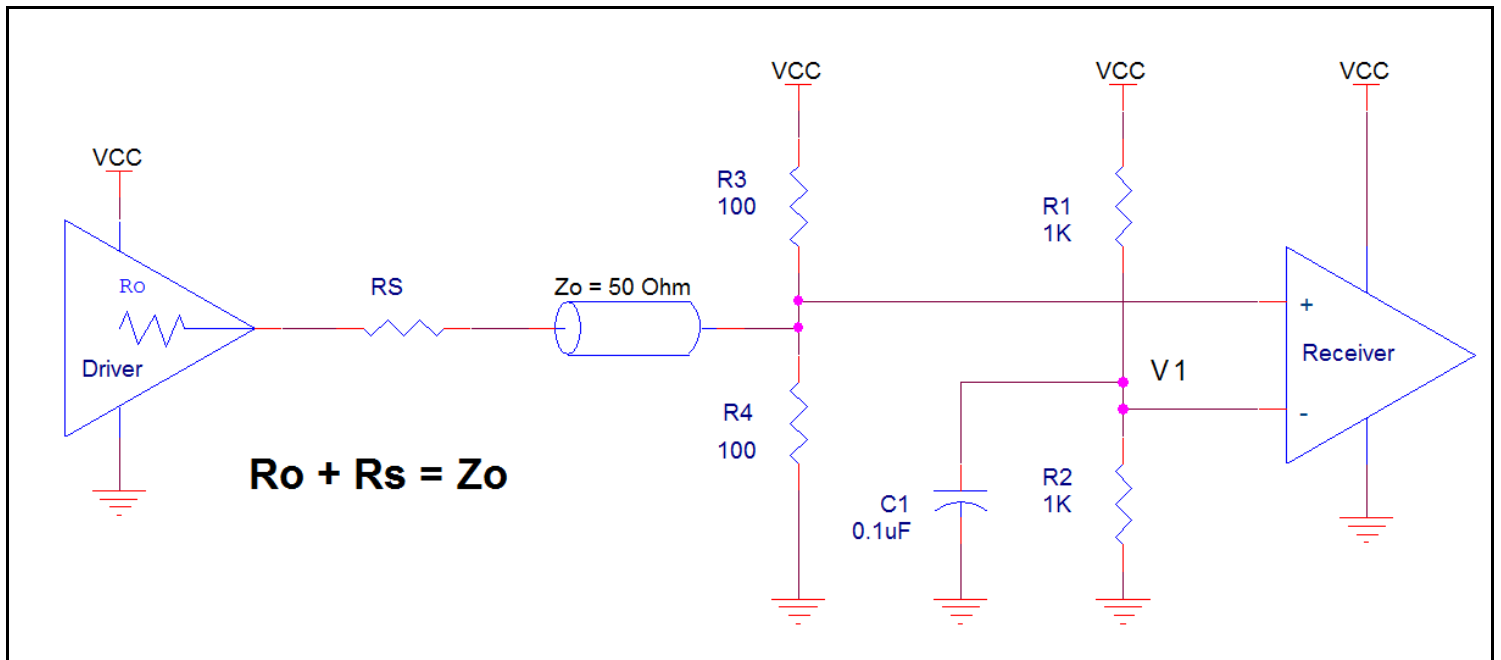


Figure 2. Recommended Schematic for Wiring a Differential Input to Accept Single-ended Levels

## LVPECL Clock Input Interface

The PCLK/nPCLK accepts LVPECL, LVDS, CML, SSTL and other differential signals. Both  $V_{SWING}$  and  $V_{OH}$  must meet the  $V_{PP}$  and  $V_{CMR}$  input requirements. Figures 3A to 3F show interface examples for the PCLK/nPCLK input driven by the most common driver types.

The input interfaces suggested here are examples only. If the driver is from another vendor, use their termination recommendation. Please consult with the vendor of the driver component to confirm the driver termination requirements.

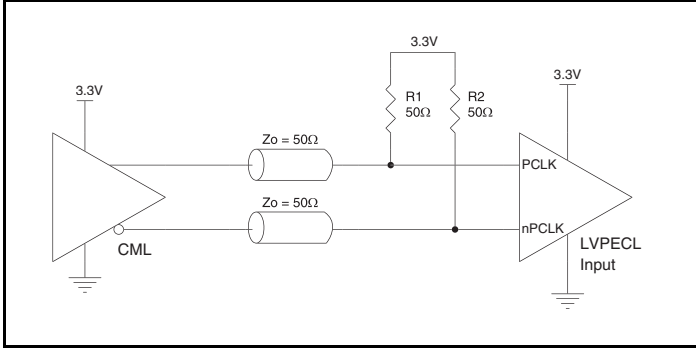


Figure 3A. PCLK/nPCLK Input Driven by an Open Collector CML Driver

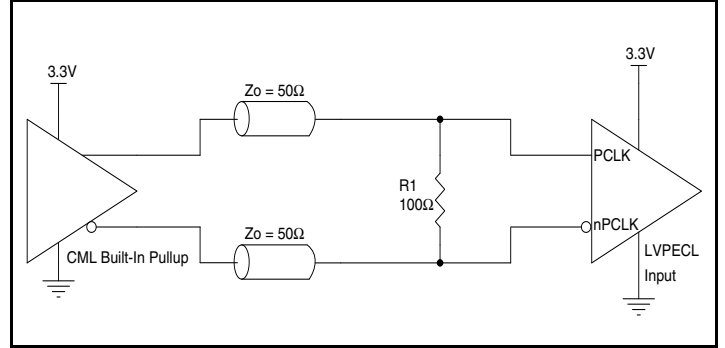


Figure 3B. PCLK/nPCLK Input Driven by a Built-In Pullup CML Driver

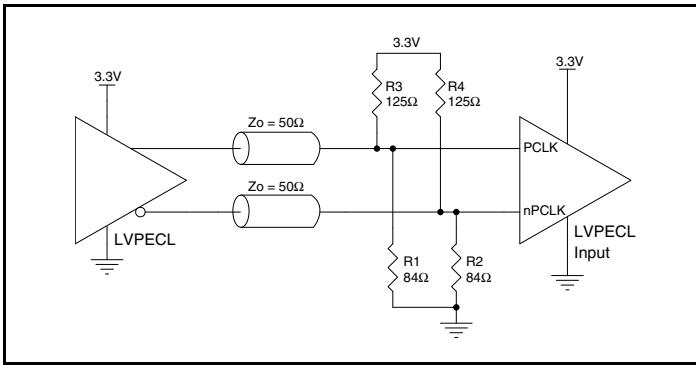


Figure 3C. PCLK/nPCLK Input Driven by a 3.3V LVPECL Driver

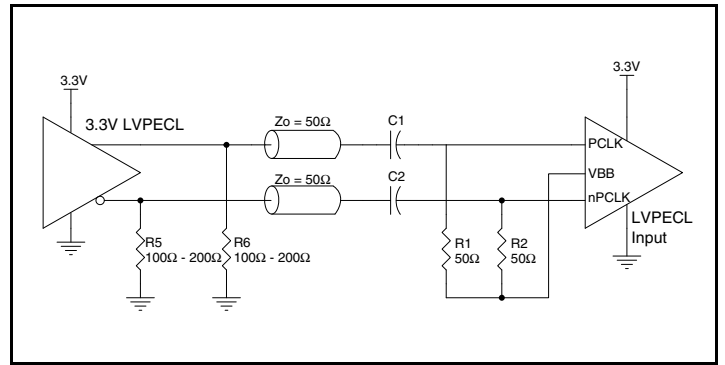


Figure 3D. PCLK/nPCLK Input Driven by a 3.3V LVPECL Driver with AC Couple

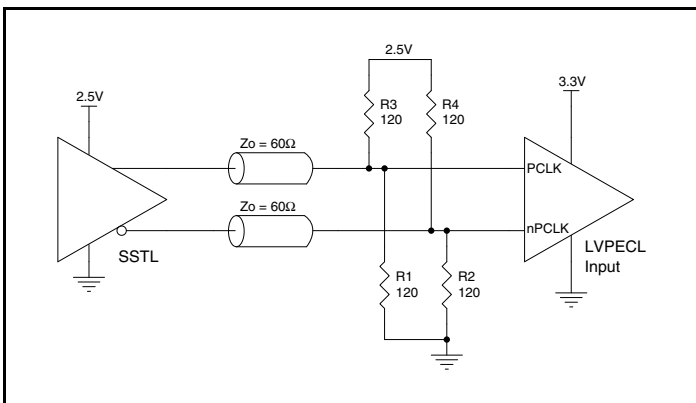


Figure 3E. PCLK/nPCLK Input Driven by an SSTL Driver

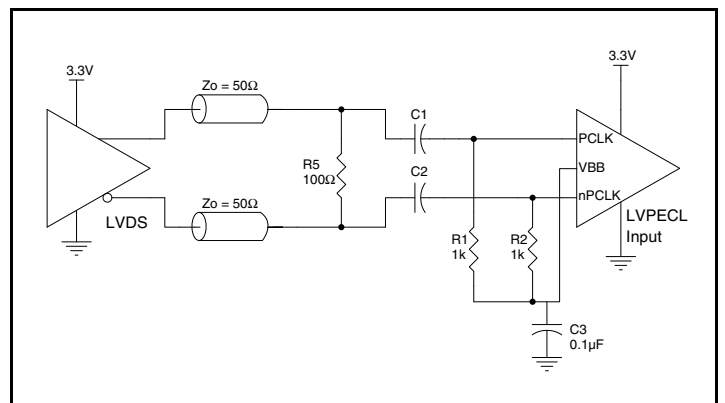


Figure 3F. PCLK/nPCLK Input Driven by a 3.3V LVDS Driver

## Recommendations for Unused Output Pins

### Inputs:

#### PCLK/nPCLK Inputs

For applications not requiring the use of a differential input, both the PCLK and nPCLK pins can be left floating. Though not required, but for additional protection, a 1kΩ resistor can be tied from PCLK to ground.

#### LVC MOS Control Pins

All control pins have internal pulldown resistors; additional resistance is not required but can be added for additional protection. A 1kΩ resistor can be used.

### Outputs:

#### LVPECL Outputs

All unused LVPECL output pairs can be left floating. We recommend that there is no trace attached. Both sides of the differential output pair should either be left floating or terminated.

## Termination for 3.3V LVPECL Outputs

The clock layout topology shown below is a typical termination for LVPECL outputs. The two different layouts mentioned are recommended only as guidelines.

The differential outputs are low impedance follower outputs that generate ECL/LVPECL compatible outputs. Therefore, terminating resistors (DC current path to ground) or current sources must be used for functionality. These outputs are designed to drive 50Ω

transmission lines. Matched impedance techniques should be used to maximize operating frequency and minimize signal distortion. *Figures 4A and 4B* show two different layouts which are recommended only as guidelines. Other suitable clock layouts may exist and it would be recommended that the board designers simulate to guarantee compatibility across all printed circuit and clock component process variations.

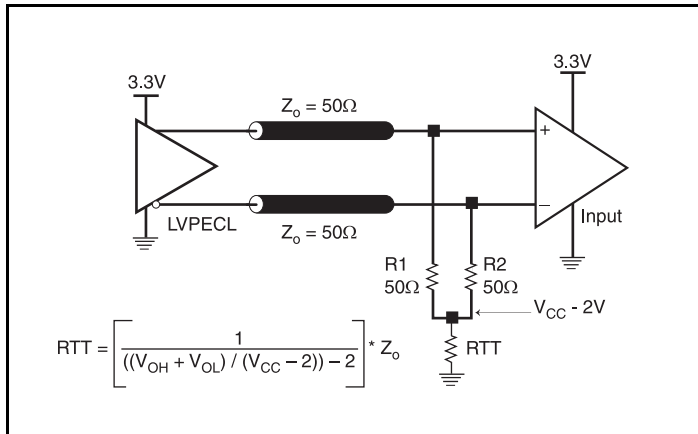


Figure 4A. 3.3V LVPECL Output Termination

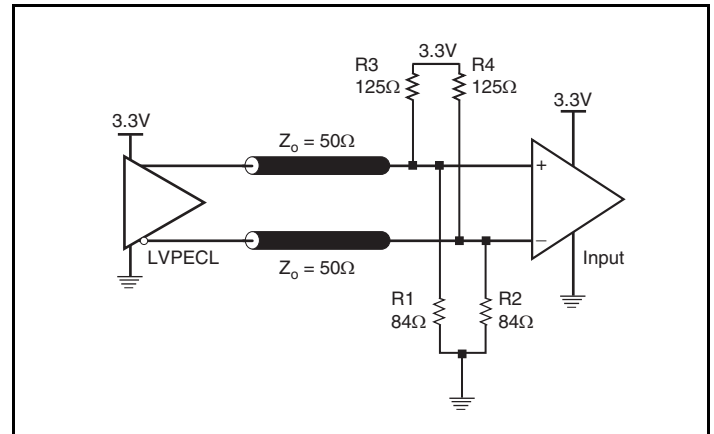


Figure 4B. 3.3V LVPECL Output Termination

## Termination for 2.5V LVPECL Outputs

Figure 5A and Figure 5B show examples of termination for 2.5V LVPECL driver. These terminations are equivalent to terminating  $50\Omega$  to  $V_{CC} - 2V$ . For  $V_{CC} = 2.5V$ , the  $V_{CC} - 2V$  is very close to ground

level. The R3 in Figure 5B can be eliminated and the termination is shown in Figure 5C.

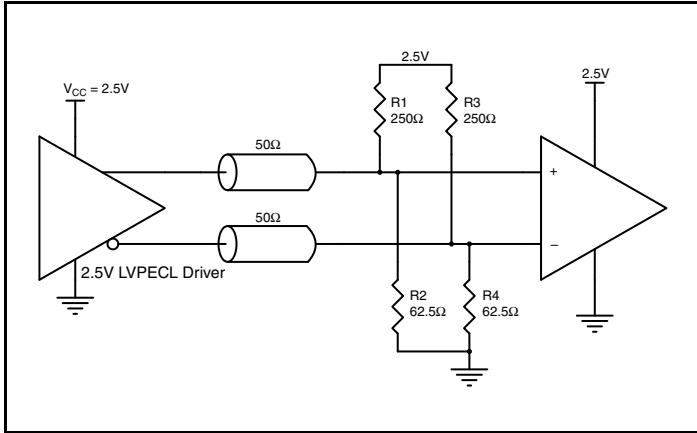


Figure 5A. 2.5V LVPECL Driver Termination Example

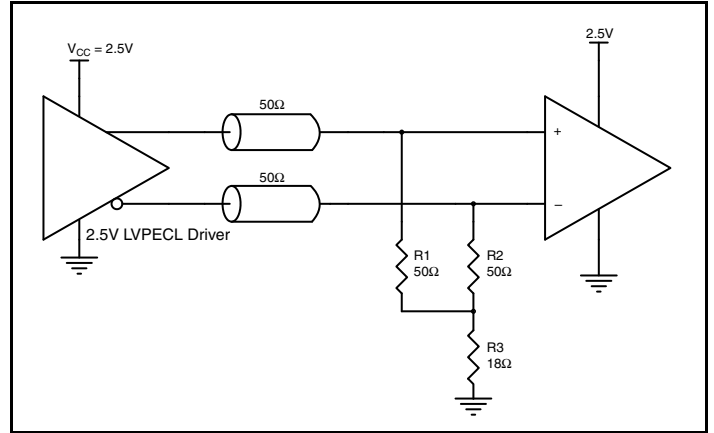


Figure 5B. 2.5V LVPECL Driver Termination Example

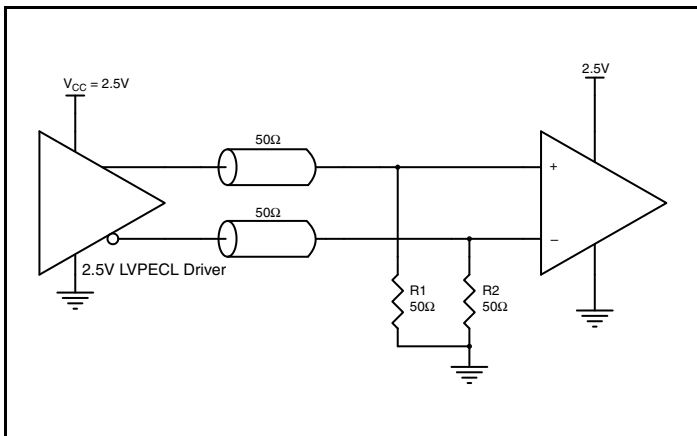


Figure 5C. 2.5V LVPECL Driver Termination Example

## Schematic Example

This application note provides general design guide using ICS853S014I LVPECL buffer. *Figure 6* shows a schematic example of the ICS853S014I LVPECL clock buffer. In this example, the input

is driven by an LVPECL driver. CLK\_SEL is set at logic high to select PCLK1, nPCLK1 input.

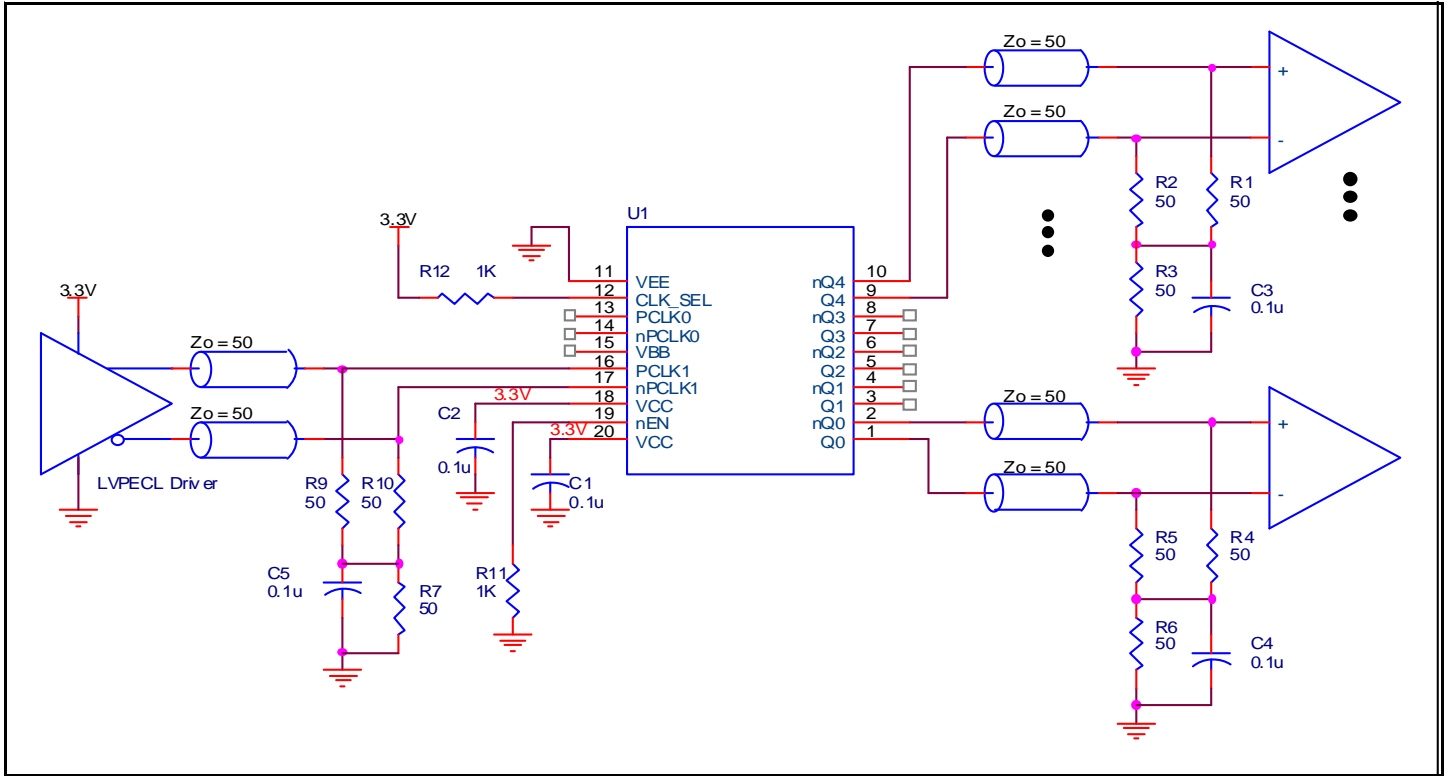


Figure 6. ICS853S014I Example LVPECL Clock Output Buffer Schematic

## Power Considerations

This section provides information on power dissipation and junction temperature for the ICS853S014I. Equations and example calculations are also provided.

### 1. Power Dissipation.

The total power dissipation for the ICS853S014I is the sum of the core power plus the power dissipated due to the load. The following is the power dissipation for  $V_{CC} = 3.8V$ , which gives worst case results.

NOTE: Please refer to Section 3 for details on calculating power dissipated due to the load.

- Power (core)<sub>MAX</sub> =  $V_{CC\_MAX} * I_{EE\_MAX} = 3.8V * 68mA = \mathbf{258.4mW}$
- Power (outputs)<sub>MAX</sub> = **30.94mW/Loaded Output pair**  
If all outputs are loaded, the total power is  $5 * 30.94mW = \mathbf{154.7mW}$

**Total Power**<sub>MAX</sub> (3.8V, with all outputs switching) =  $258.4mW + 154.7mW = \mathbf{413.1mW}$

### 2. Junction Temperature.

Junction temperature,  $T_j$ , is the temperature at the junction of the bond wire and bond pad directly affects the reliability of the device. The maximum recommended junction temperature is 125°C. Limiting the internal transistor junction temperature,  $T_j$ , to 125°C ensures that the bond wire and bond pad temperature remains below 125°C.

The equation for  $T_j$  is as follows:  $T_j = \theta_{JA} * Pd\_total + T_A$

$T_j$  = Junction Temperature

$\theta_{JA}$  = Junction-to-Ambient Thermal Resistance

$Pd\_total$  = Total Device Power Dissipation (example calculation is in section 1 above)

$T_A$  = Ambient Temperature

In order to calculate junction temperature, the appropriate junction-to-ambient thermal resistance  $\theta_{JA}$  must be used. Assuming no air flow and a multi-layer board, the appropriate value is 92.1°C/W per Table 6 below.

Therefore,  $T_j$  for an ambient temperature of 85°C with all outputs switching is:

$$85^\circ\text{C} + 0.413\text{W} * 92.1^\circ\text{C/W} = 123^\circ\text{C}. \text{ This is below the limit of } 125^\circ\text{C}.$$

This calculation is only an example.  $T_j$  will obviously vary depending on the number of loaded outputs, supply voltage, air flow and the type of board (multi-layer).

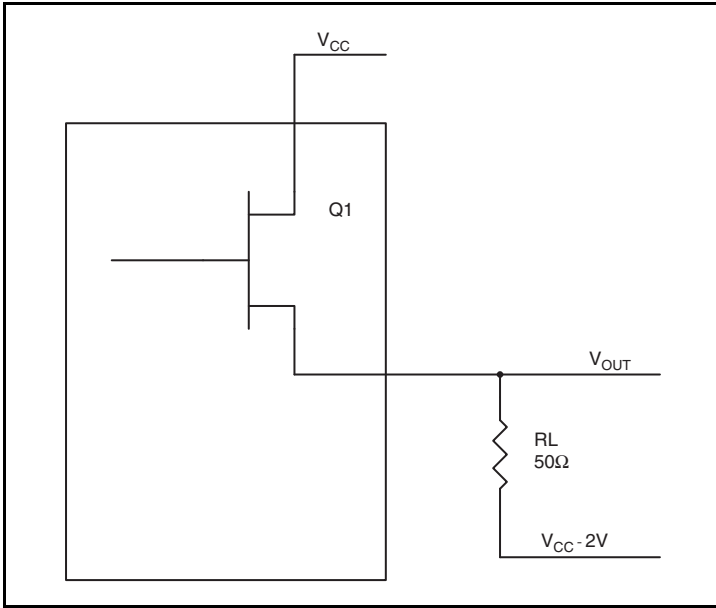
**Table 6. Thermal Resistance  $\theta_{JA}$  for 20 Lead TSSOP, Forced Convection**

| $\theta_{JA}$ by Velocity                   |          |          |          |
|---------------------------------------------|----------|----------|----------|
| Meters per Second                           | 0        | 1        | 2.5      |
| Multi-Layer PCB, JEDEC Standard Test Boards | 92.1°C/W | 86.5°C/W | 83.0°C/W |

**T3. Calculations and Equations.**

The purpose of this section is to calculate the power dissipation for the LVPECL output pair.

LVPECL output driver circuit and termination are shown in *Figure 7*.



**Figure 7. LVPECL Driver Circuit and Termination**

To calculate power dissipation due to the load, use the following equations which assume a 50Ω load, and a termination voltage of V<sub>CC</sub> – 2V.

- For logic high, V<sub>OUT</sub> = V<sub>OH\_MAX</sub> = V<sub>CC\_MAX</sub> – 0.935V  
(V<sub>CC\_MAX</sub> – V<sub>OH\_MAX</sub>) = 0.935V
- For logic low, V<sub>OUT</sub> = V<sub>OL\_MAX</sub> = V<sub>CC\_MAX</sub> – 1.67V  
(V<sub>CC\_MAX</sub> – V<sub>OL\_MAX</sub>) = 1.67V

Pd<sub>H</sub> is power dissipation when the output drives high.

Pd<sub>L</sub> is the power dissipation when the output drives low.

$$Pd_H = [(V_{OH\_MAX} - (V_{CC\_MAX} - 2V))/R_L] * (V_{CC\_MAX} - V_{OH\_MAX}) = [(2V - (V_{CC\_MAX} - V_{OH\_MAX}))/R_L] * (V_{CC\_MAX} - V_{OH\_MAX}) = [(2V - 0.935V)/50\Omega] * 0.935V = 19.92mW$$

$$Pd_L = [(V_{OL\_MAX} - (V_{CC\_MAX} - 2V))/R_L] * (V_{CC\_MAX} - V_{OL\_MAX}) = [(2V - (V_{CC\_MAX} - V_{OL\_MAX}))/R_L] * (V_{CC\_MAX} - V_{OL\_MAX}) = [(2V - 1.67V)/50\Omega] * 1.67V = 11.02mW$$

Total Power Dissipation per output pair = Pd<sub>H</sub> + Pd<sub>L</sub> = 30.94mW



## Reliability Information

Table 7.  $\theta_{JA}$  vs. Air Flow Table for a 20 Lead TSSOP

| $\theta_{JA}$ by Velocity                   |          |          |          |
|---------------------------------------------|----------|----------|----------|
| Meters per Second                           | 0        | 1        | 2.5      |
| Multi-Layer PCB, JEDEC Standard Test Boards | 92.1°C/W | 86.5°C/W | 83.0°C/W |

## Transistor Count

The transistor count for ICS853S014I is: 407

Pin compatible with ICS853014

## Package Outline and Package Dimensions

Package Outline - G Suffix for 20 Lead TSSOP

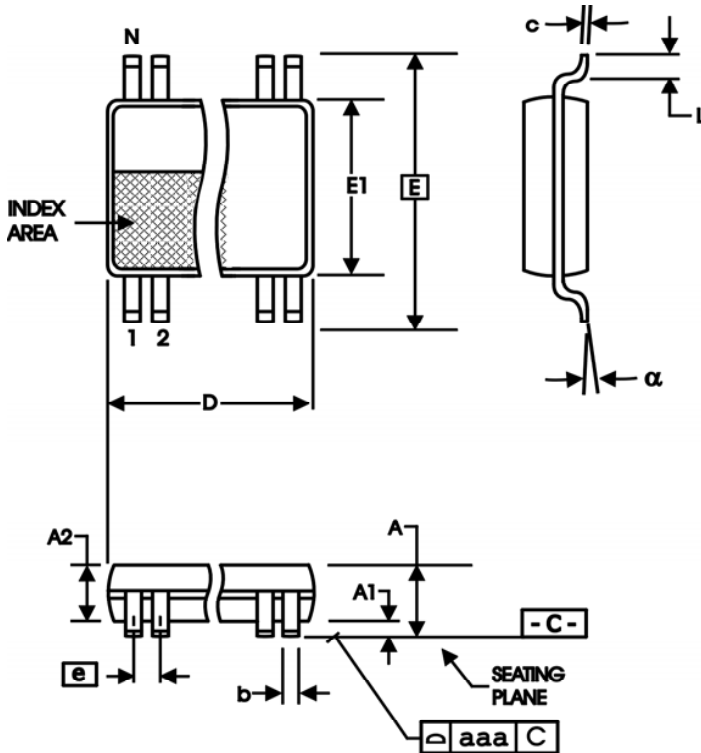


Table 8. Package Dimensions

| All Dimensions in Millimeters |            |         |
|-------------------------------|------------|---------|
| Symbol                        | Minimum    | Maximum |
| N                             | 20         |         |
| A                             |            | 1.20    |
| A1                            | 0.05       | 0.15    |
| A2                            | 0.80       | 1.05    |
| b                             | 0.19       | 0.30    |
| c                             | 0.09       | 0.20    |
| D                             | 6.40       | 6.60    |
| E                             | 6.40 Basic |         |
| E1                            | 4.30       | 4.50    |
| e                             | 0.65 Basic |         |
| L                             | 0.45       | 0.75    |
| $\alpha$                      | 0°         | 8°      |
| aaa                           |            | 0.10    |

Reference Document: JEDEC Publication 95, MO-153

## Ordering Information

Table 9. Ordering Information

| Part/Order Number | Marking      | Package                   | Shipping Packaging | Temperature   |
|-------------------|--------------|---------------------------|--------------------|---------------|
| 853S014AGILF      | ICS53S014AIL | "Lead-Free" 20 Lead TSSOP | Tube               | -40°C to 85°C |
| 853S014AGILFT     | ICS53S014AIL | "Lead-Free" 20 Lead TSSOP | Tape & Reel        | -40°C to 85°C |

## Revision History Sheet

| Rev | Table                   | Page                                 | Description of Change                                                                                                                                                                                                                                                                                                                                                                                                                                                     | Date     |
|-----|-------------------------|--------------------------------------|---------------------------------------------------------------------------------------------------------------------------------------------------------------------------------------------------------------------------------------------------------------------------------------------------------------------------------------------------------------------------------------------------------------------------------------------------------------------------|----------|
| B   | T5                      | 7                                    | AC Characteristics Table - added Additive Phase Jitter max. spec.                                                                                                                                                                                                                                                                                                                                                                                                         | 9/1/10   |
| C   | T6B<br>T7B<br>T8B<br>T9 | 1<br>4<br>15<br>16<br>18<br>19<br>20 | Added 20 Lead VFQFN proposed pin assignment.<br>Absolute Maximum Ratings - added 32 Lead VFQFN Package Thermal Impedance.<br>Added <i>VFQFN EPad Thermal Release section</i> .<br>Added proposed <i>20 Lead VFQFN Thermal Resistance table</i> .<br>Added proposed <i>20 Lead VFQFN theta ja table</i> .<br>Added proposed <i>20 Lead VFQFN Package Outline and Dimensions</i> .<br>Ordering Information Table added proposed <i>20 Lead VFQFN ordering information</i> . | 10/29/10 |
| D   | T9                      | 10<br>15<br>18                       | Deleted all "Proposed" VFQFN Package References throughout the datasheet.<br>Updated Application Note, Wiring the Differential Input Levels to Accept Single-ended Levels.<br>Deleted Application Note, <i>VFQFN EPAD Thermal Release Path</i> .<br>Ordering Information Table - deleted tape & reel count; deleted VFQFN package information.                                                                                                                            | 5/23/13  |



## IMPORTANT NOTICE AND DISCLAIMER

RENESAS ELECTRONICS CORPORATION AND ITS SUBSIDIARIES (“RENESAS”) PROVIDES TECHNICAL SPECIFICATIONS AND RELIABILITY DATA (INCLUDING DATASHEETS), DESIGN RESOURCES (INCLUDING REFERENCE DESIGNS), APPLICATION OR OTHER DESIGN ADVICE, WEB TOOLS, SAFETY INFORMATION, AND OTHER RESOURCES “AS IS” AND WITH ALL FAULTS, AND DISCLAIMS ALL WARRANTIES, EXPRESS OR IMPLIED, INCLUDING, WITHOUT LIMITATION, ANY IMPLIED WARRANTIES OF MERCHANTABILITY, FITNESS FOR A PARTICULAR PURPOSE, OR NON-INFRINGEMENT OF THIRD PARTY INTELLECTUAL PROPERTY RIGHTS.

These resources are intended for developers skilled in the art designing with Renesas products. You are solely responsible for (1) selecting the appropriate products for your application, (2) designing, validating, and testing your application, and (3) ensuring your application meets applicable standards, and any other safety, security, or other requirements. These resources are subject to change without notice. Renesas grants you permission to use these resources only for development of an application that uses Renesas products. Other reproduction or use of these resources is strictly prohibited. No license is granted to any other Renesas intellectual property or to any third party intellectual property. Renesas disclaims responsibility for, and you will fully indemnify Renesas and its representatives against, any claims, damages, costs, losses, or liabilities arising out of your use of these resources. Renesas' products are provided only subject to Renesas' Terms and Conditions of Sale or other applicable terms agreed to in writing. No use of any Renesas resources expands or otherwise alters any applicable warranties or warranty disclaimers for these products.

(Rev.1.0 Mar 2020)

### Corporate Headquarters

TOYOSU FORESIA, 3-2-24 Toyosu,  
Koto-ku, Tokyo 135-0061, Japan  
[www.renesas.com](http://www.renesas.com)

### Contact Information

For further information on a product, technology, the most up-to-date version of a document, or your nearest sales office, please visit:  
[www.renesas.com/contact/](http://www.renesas.com/contact/)

### Trademarks

Renesas and the Renesas logo are trademarks of Renesas Electronics Corporation. All trademarks and registered trademarks are the property of their respective owners.