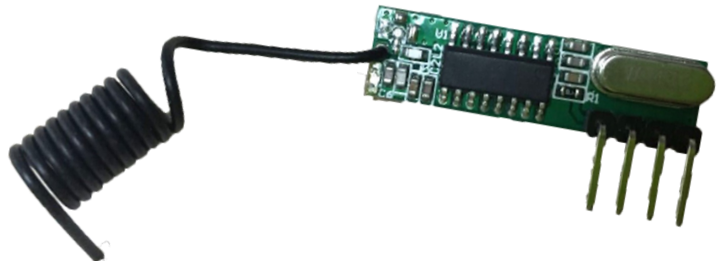


- Miniature Size 30 x 8mm
- Receives any 433MHz AM signal
- Enhanced Noise immunity internal PLL
- CMOS / TTL Output
- 3.5-5.5Vdc Operating Voltage
- Stable Operating Frequency
- Low Power Consumption
- High sensitivity
 - -113dBm @315MHz
 - -123dBm @433MHz



Applications

- Car Security Systems
- Automation Systems
- Remote Gate Controls
- Remote Sensing
- Data Capture
- Sensor Reporting

Description

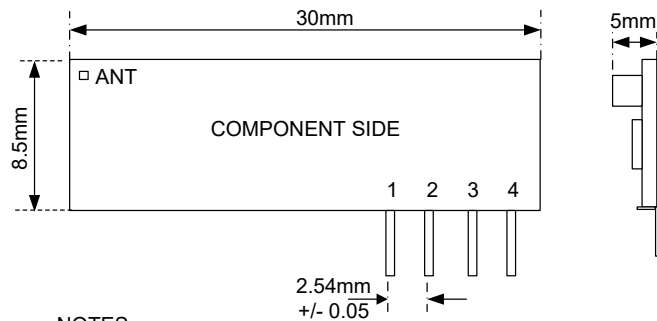
The Quasar UK AM-RX10 Super Heterodyne receiver module provides a complete Radio receiver which can be used to receive undecoded data from the range of Quasar (UK) transmitter modules.

This is a very compact form factor and requires only a power connection to operate. Data can be fed directly into a microprocessor or decoding device, thus keeping the component count down and ensuring a low hardware cost.

All receivers are compatible, producing a CMOS/TTL output, and only require connections to power and antenna.

Pin Descriptions

Pin	Description
1	Supply Voltage
2, 3	Data Output
4	Ground



NOTES
 Pins on 0.1" pitch
 Pin Dims : 0.6 x 0.02mm
 Pin Length: 6mm +/-0.2
 Recommended PCB hole: Ø 0.65 – 0.7mm

Electrical Characteristics

Ambient temp = 25°C unless otherwise stated.

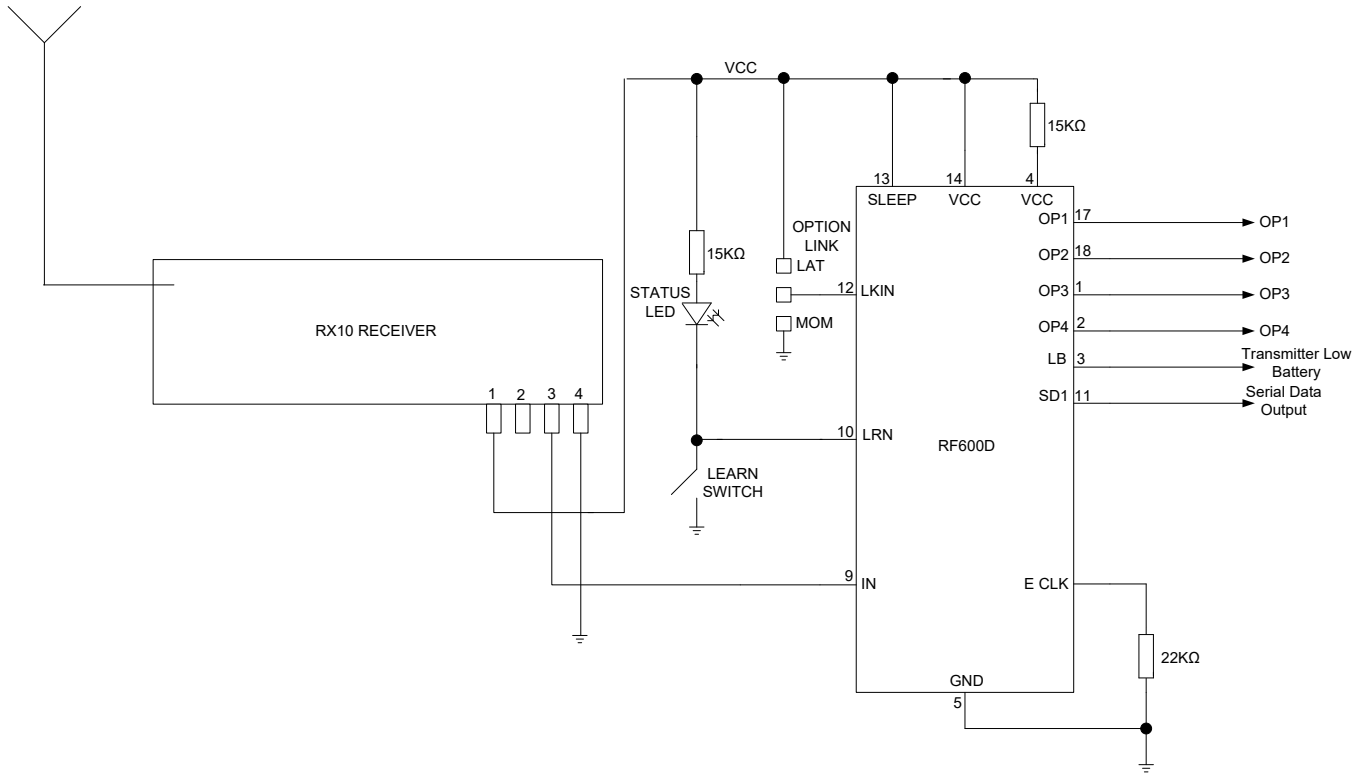
Characteristic	Min	Typical	Max	Dimensions
Supply Voltage	3.5	5	5.5	Vdc
Supply Current		6		mA
RF Sensitivity (Vcc=5V, 1Kbps AM 99% Square wave modulation)		-108		dBm @433MHz
Working Frequency		433.92		MHz
Turn On Time	25	30		mS
Data RAte			10	Kbps
Operating Temperature Range	-25		+85	°C

Part Numbers

**Range stated is optimum, direct line of sight. In worst conditions this can be reduced by over 50%

Part Number	Description	Range** (Metres)
QAM-RX10-315	AM Super Heterodyne Receiver Module, 315MHz	30
QAM-RX10-433	AM Super Heterodyne Receiver Module, 433MHz	30

Typical Application



QuasarUK is an internet based company. All Sales / support and interface is via our website at

www.quasaruk.co.uk

for Sales:

Sales : sales@quasaruk.co.uk

for Support:

Support : sales@quasaruk.co.uk

Disclaimer:

Whilst the information in this document is believed to be correct at the time of issue, QuasarUK Ltd does not accept any liability whatsoever for its accuracy, adequacy or completeness. No express or implied warranty or representation is given relating to the information contained in this document. QuasarUK Ltd reserves the right to make changes and improvements to the product(s) described herein without notice. Buyers and other users should determine for themselves the suitability of any such information or products for their own particular requirements or specification(s). QuasarUK Ltd shall not be liable for any loss or damage caused as a result of user's own determination of how to deploy or use R F Solutions Ltd's products. Use of QuasarUK Ltd products or components in life support and/or safety applications is not authorised except with express written approval. No licences are created, implicitly or otherwise, under any of QuasarUK Ltd's intellectual property rights. Liability for loss or damage resulting or caused by reliance on the information contained herein or from the use of the product (including liability resulting from negligence or where QuasarUK Ltd was aware of the possibility of such loss or damage arising) is excluded. This will not operate to limit or restrict QuasarUK Ltd's liability for death or personal injury resulting from its negligence.