

SC SIMPLEX MULTIMODE PC 128 OPTICAL PLUG
 FOR A Ø2.7 to 3mm OM3 CABLE

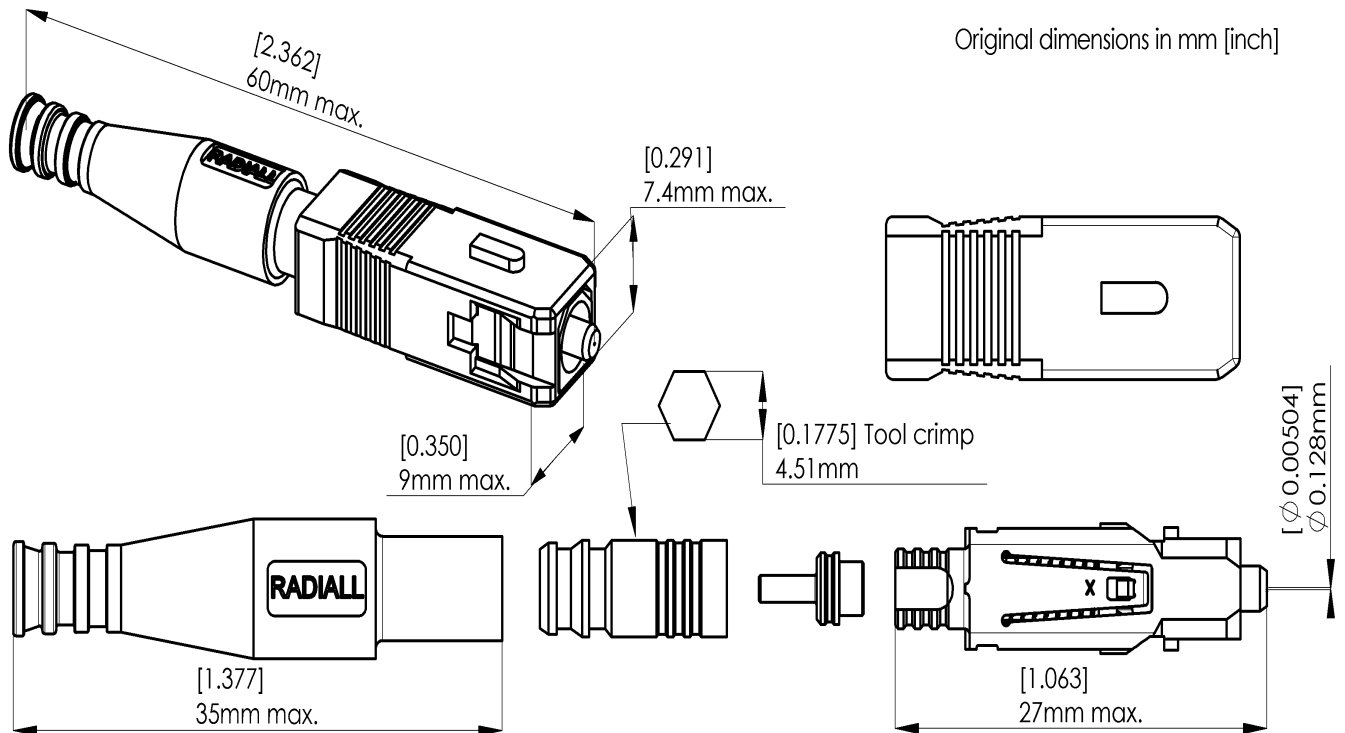
 Packaging
 100

 Series
 SC

 Issue
 29 dec 2010

 Page
 1 / 2

Outer plug body : color Beige Boot color : AQUA


GENERAL

- **TYPE** IEC 61754-4 type SC
 Multimode Zirconia ferrule (20 mm pre-radius)
 Push-pull latching system
 Floating ferrule
 360° tunable (adjustable to 6 positions for optimization of random insertion loss)
- **FERRULE SIZE** 128 µm
- **FIBER SIZE** 50/125 or 62,5/125µm multimode
- **CABLE SIZE & TYPE** Ø 2.7 to 3mm cable, tight or semi loose structure
- **CABLING PROCEDURE**
 Refer to 503 08 400 (D 6121 oe) assembly instruction manual

CREATION					RADIALL [®]
N°:					101, rue P. Hoffmann
PEN/EP : EPM 1005					93116 ROSNY/BOIS
Name: S.P					FRANCE
Date: 29.12.2010					Tel : (33) 0149353535
Appr.: H.D	Issue	Revisions	Name	Appr.	Fax : (33) 0148546363

SC SIMPLEX MULTIMODE PC 128 OPTICAL PLUG
 FOR A Ø2.7 to 3mm OM3 CABLE

 Packaging
 100

 Series
 SC

 Issue
 29 dec 2010

 Page
 2 / 2

Outer plug body : color Beige Boot color : AQUA

CHARACTERISTICS (Depending on fiber or cable construction)

□ **OPTICAL** Attenuation at 850 nm and 1310nm with LED source, at EMD condition

Attenuation plug mated with reference plug: IEC 61300-3-4

PARAMETER	STD
Mean	< 0.20 dB
Standard deviation	0.08 dB

Attenuation of random mated connectors: IEC 61300-3-34

PARAMETER	STD
Mean	0.25 dB
Max	< 0.75 dB 95%

Maximum loss variation: IEC 61300-2-2 / IEC 61300-3-6

PARAMETER	STD
Repeatability	0.10 dB
Return Loss	>20 dB

□ **MECHANICAL** Mechanical Endurance 200 matings
 Cable retention 100 N

□ **ENVIRONMENTAL** Storage temperature range -40 °C to +85 °C
 Operating temperature range -40 °C to +85 °C

CREATION				RADIALL [®]	
N°:				101, rue P. Hoffmann 93116 ROSNY/BOIS FRANCE Tel : (33) 0149353535 Fax : (33) 0148546363	
PEN/EP : EPM 1005					
Name: S.P					
Date: 29.12.2010					
Appr.: H.D	Issue	Revisions	Name	Appr.	