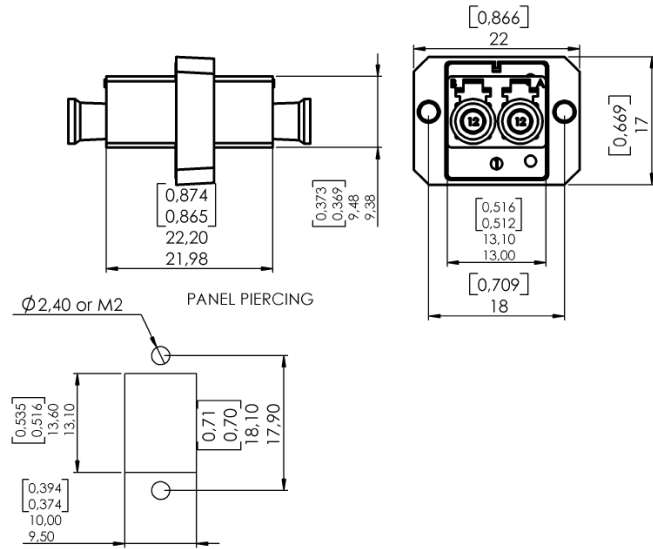


PAGE 1/1	ISSUE 04-06-13	SERIES LC	PART NUMBER F727754710
----------	----------------	-----------	------------------------



Dimensions: mm [inches]

GENERAL

Type: IEC 61754-20 (LC)
RJ-45 latching system

Mounting: SC panel cut-out screw in
(max. panel thickness 1.7mm)

Alignment Sleeve: Zirconia

Color: AQUA

CHARACTERISTICS (Dependent on cable or fiber construction)

Material: Plastic molded : Material in accordance with
TELCORDIA GR-326 CORE
flammability V0 (UL 94)

Mechanical: Endurance : 200 matings
Plug retention: 68N

Environmental: Storage temperature range: -40°C / +85°C
Operating temperature range: -40°C / +70°C

Proof test : Straight pull: 68 N
Side pull: 23 N

Vibration test : 10 to 55 Hz, 1,5 mm (peak to peak), 2 Hr/axis

(Performance and specification: see document **GEN_F727 001**)