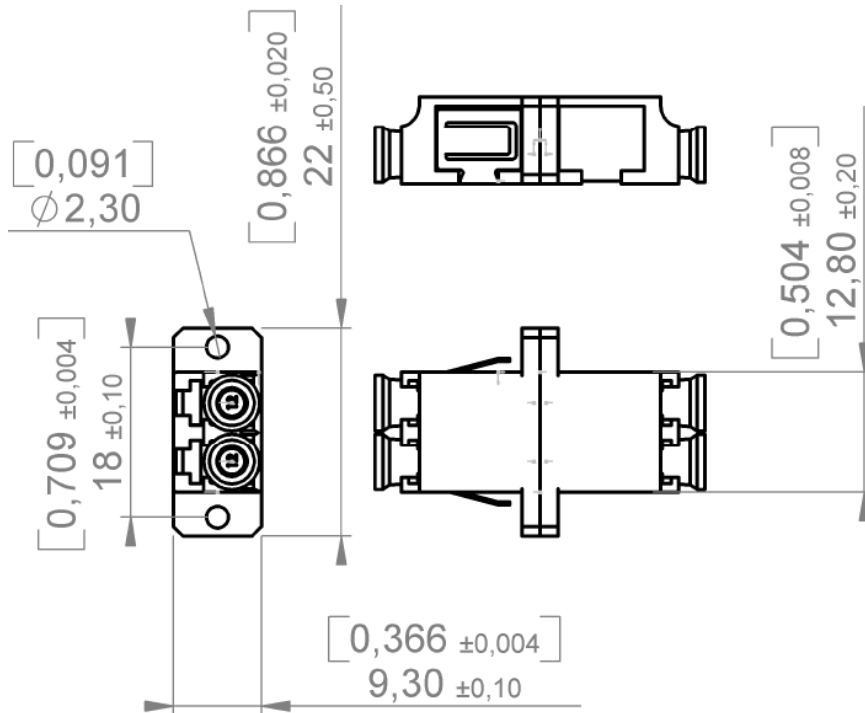


PAGE 1/1	ISSUE <b>04-06-13</b>	SERIES <b>LC</b>	PART NUMBER <b>F727752000</b>
----------	-----------------------	------------------	-------------------------------



Dimensions: mm [inches]

**GENERAL**

**Type:** IEC 61754-20 (LC)

**Mounting:** SC panel cut-out screw in  
(max. panel thickness 1.7mm)

**Alignment Sleeve:** Zirconia

**Color:** BLUE

**CHARACTERISTICS** (Dependent on cable or fiber construction)

**Material:** Plastic molded : body UL94 V0 rated

**Mechanical:** Endurance : 200 matings

**Environmental:** Storage temperature range: -40°C / +85°C\*  
Operating temperature range: -25°C / +70°C

(Performance and specification: see document **GEN\_F727 001**)