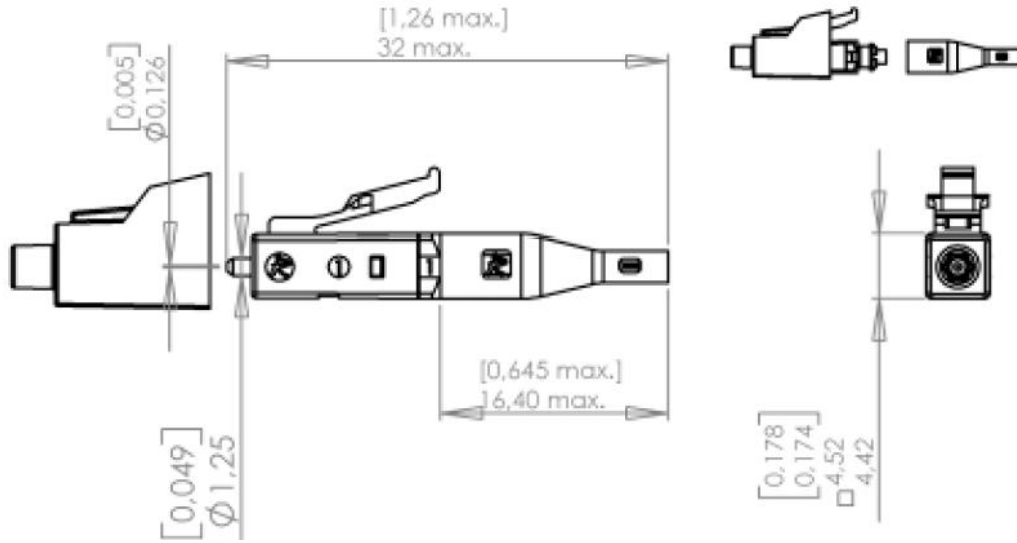


PAGE 1/1	ISSUE <b>03-06-13</b>	SERIES <b>LC</b>	PART NUMBER <b>F727102100</b>
----------	-----------------------	------------------	-------------------------------



Dimensions: mm [inches]

**GENERAL**

- Type:** IEC 61754-20 (LC)  
Singlemode Zirconia ferrule  
RJ-45 latching connector system
- Ferrule inner diameter:** Ø126µm
- Fiber size:** Ø9/125µm Singlemode
- Cable size & type:** Ø0.9mm Simplex
- Termination:** Refer to 503.08.500 assembly instruction manual
- Color:** BLUE

**CHARACTERISTICS** (Dependent on cable or fiber construction)

- Optical:**
  - Attenuation at 1300nm and 1550nm
  - Insertion loss (IEC 61300-3-4 method B) : ≤0.10dB Mean  
≤0.05dB Stand.dev
  - Attenuation of random mated connectors (IEC 61300-3-4) : ≤0.10dB Mean  
≤0.07dB Stand.dev
  - Return loss (IEC 61300-3-6) : >35dB PC  
>40dB SPC  
>50dB UPC
- Mechanical:**
  - Vibration tests: 10 to 55 Hz, 1.5mm (peak to peak), 2Hr/axis
  - Impact test: 1.5m drop, 8 cycles
  - Endurance : 200 matings
  - Cable retention : 7 N
- Environmental:**
  - Storage temperature range: -40°C / +85°C
  - Operating temperature range: -40°C / +70°C
  - Thermal cycle test: -40°C / +75°C, 21 Cycles, 168Hr
  - Humidity/Condensation cycling test: 95%RH, -10°C / +65°C, 14 cycles, 168Hr

(Performance and specification: see document **GEN\_F727 001**)