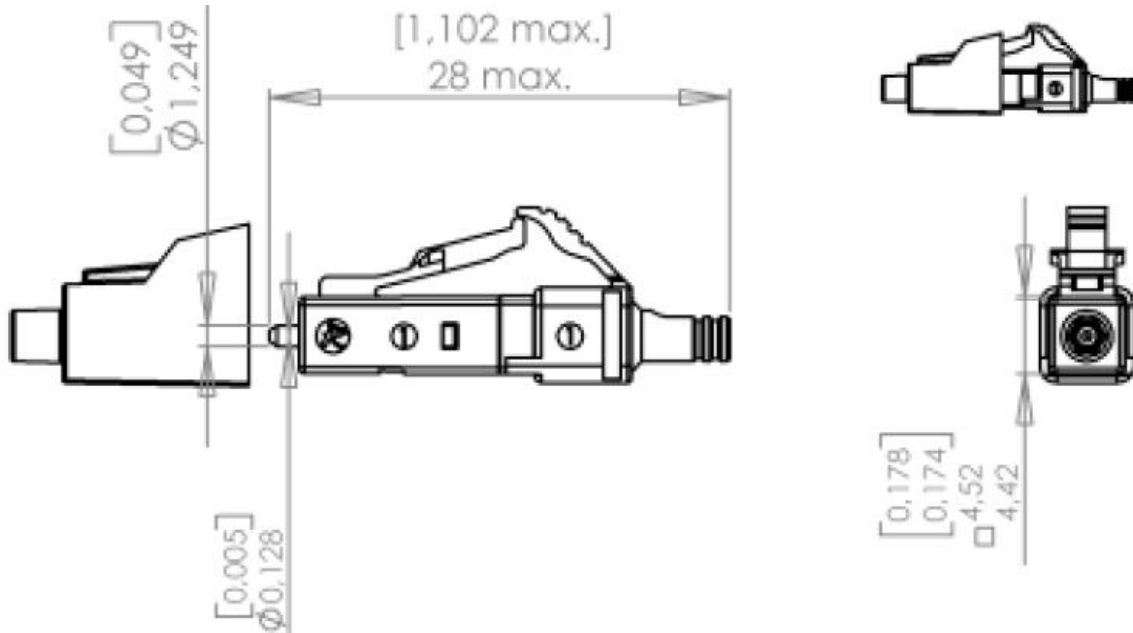


PAGE 1/1	ISSUE 22-05-13	SERIES LC	PART NUMBER F727103000
----------	-----------------------	------------------	-------------------------------



Dimensions: mm [inches]

GENERAL

- Type:** IEC 61754-20 (LC)
Multimode Zirconia ferrule
RJ-45 latching connector system
- Ferrule inner diameter:** Ø128µm
- Fiber size:** Ø62.5/125µm Multimode
- Cable size & type:** 1.6 to 3mm Simplex
- Termination:** Refer to 503.08.500 assembly instruction manual
- Color:** BEIGE

CHARACTERISTICS (Dependent on cable or fiber construction)

- Optical:**
 - Attenuation at 850nm and 1300nm
 - Insertion loss (IEC 61300-3-4 method B) : ≤0.10dB mean
≤0.05dB Stand.dev
 - Attenuation of random mated connectors (IEC 61300-3-4): ≤0.10dB mean
≤0.07dB Stand.dev
 - Return loss (IEC 61300-3-6) : >20dB PC
- Mechanical:**
 - Vibration tests: 10 to 55 Hz, 1.5mm (peak to peak), 2Hr/axis
 - Impact test: 1.5m drop, 8 cycles
 - Endurance : 200 matings
 - Cable retention : 68 N
- Environmental:**
 - Storage temperature range: -40°C / +85°C
 - Operating temperature range: -40°C / +70°C
 - Thermal cycle test: -40°C / +75°C, 21 Cycles, 168Hr
 - Humidity/Condensation cycling test: 95%RH, -10°C / +65°C, 14 cycles, 168Hr

(Performance and specification: see document **GEN_F727 001**)