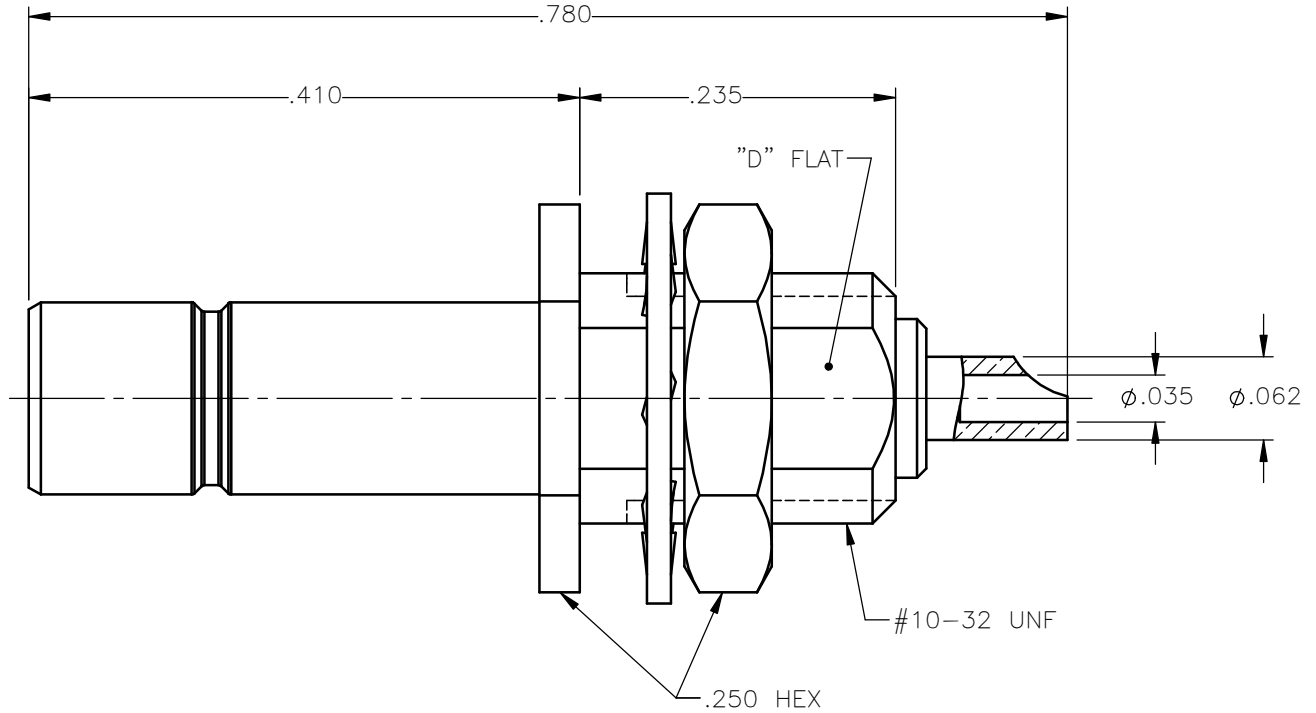


REVISIONS			
REV.	DESCRIPTION	DATE	APPROVED
A	INITIAL RELEASE	01/31/12	D.N.
B	CHANGED "D" FLAT ORIENTATION	02/23/12	D.N.





NOTES:

MATERIALS:

1. INSULATOR = VIRGIN WHITE TEFLON PER ASTM D1710, GRADE 1, TYPE I, CLASS "B".
2. LOCKWASHER = PHOSPHOR BRONZE PER ASTM B139, COPPER ALLOY C53400, TEMPER H04.
3. ALL OTHER METAL PARTS = BRASS PER ASTM B16, ALLOY C36000, TEMPER H02.

FINISHES:

1. BODY & CONTACT = GOLD PLATE PER MIL-G-45204, TYPE II, CLASS 1, GRADE C, OVER .00010 TO .00020 STRESS FREE SULFAMATE NICKEL PER QQ-N-290.
2. NUT & LOCKWASHER = GOLD PLATE PER MIL-G-45204, TYPE II, CLASS 0, GRADE C, OVER .00010 TO .00020 COPPER STRIKE PER MIL-C-14550.

UNLESS OTHERWISE SPECIFIED DIMENSIONS ARE IN INCHES TOLERANCES ON	DWN:	DATE	 Property of Radiall This document cannot be reproduced or communicated to a third party without prior written permission of RADIALL.	
	D.N.	01/31/12		
DECIMAL	ANGLE	CHKD:	DATE	SMB STRAIGHT MALE JACK BULKHEAD FRONT MOUNT SOLDER POT RECEPTACLE
		J.S.	01/31/12	
		APVD:	DATE	
REFERENCE:	MATERIALS & FINISHES:	J.M.	01/31/12	SIZE A FSCM NO. 19505 DWG NO. 2019-1511-014 REV B SCALE 7:1 THIRD ANGLE PROJECTION
ORIGINATED: D.N. DATE: 01/31/12	SEE NOTES	SHEET 1 OF 1		

2019-1511-014