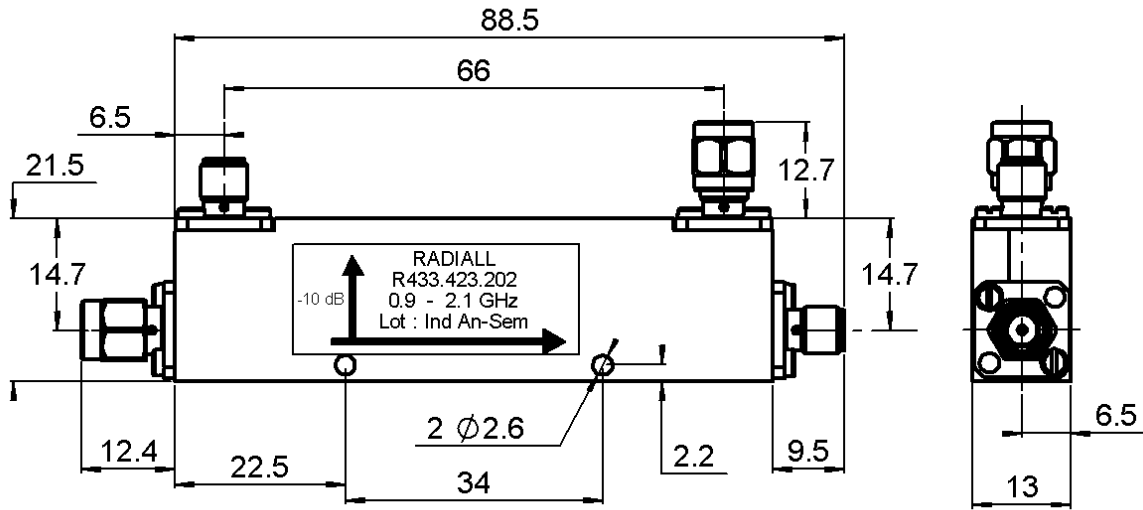


**10 DB 0.9-2.1 GHZ DIRECTIONAL COUPLER**

**R433.423.202**

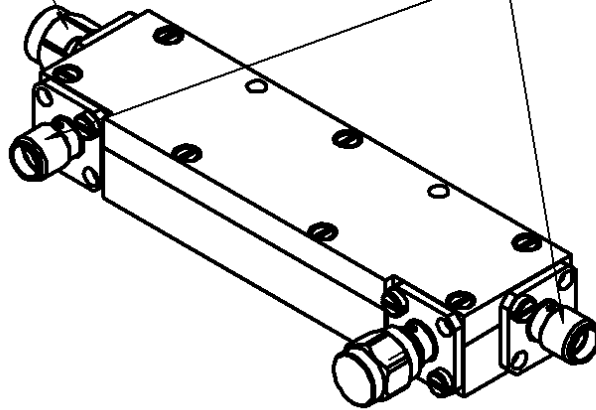
Series : Coupler



General tolerance : +/-0.5 mm

SMA / m connector

2 SMA / f connectors



All dimensions are in mm.

Issue : 0645 A

In the effort to improve our products, we reserve the right to make changes judged to be necessary.



**10 DB 0.9-2.1 GHZ DIRECTIONAL COUPLER****R433.423.202**

Series : Coupler

**ELECTRICAL CHARACTERISTICS**

|                                 |         |
|---------------------------------|---------|
| Frequency (GHz)                 | 0.9-2.1 |
| V.S.W.R                         | ≤ 1.15  |
| Impedance (Ω)                   | 50      |
| Nominal coupling (dB)           | 10      |
| Nominal coupling accuracy (dB)  | ± 0.8   |
| Frequency sensitivity (dB)      | ± 0.3   |
| Directivity (dB)                | ≥ 22    |
| Insertion loss (dB)             | ≤ 1     |
| (Excluding Coupling loss)       |         |
| Average power at 25°C (W)       | 50      |
| Peak power at 25°C(1μs, 1%)(kW) | 3       |

**MECHANICAL CHARACTERISTICS**

|                |                          |
|----------------|--------------------------|
| Mounting       | Surface Mount Technology |
| RF Port finish | Chemical Sn              |
| Weight         | <u>72.9440</u> g         |

**ENVIRONMENTAL**

|                             |          |    |
|-----------------------------|----------|----|
| Operating temperature range | -25/+85  | °C |
| Storage temperature range   | -40/+100 | °C |

**SPECIFICATION**

Connectors : Input -> SMA Male per MIL C 39012  
 Output -> SMA Female per MIL C 39012

Termination (on isolated port) : 50 Ω - 1 W

Issue : 0645 A

In the effort to improve our products, we reserve the right to make changes judged to be necessary.

