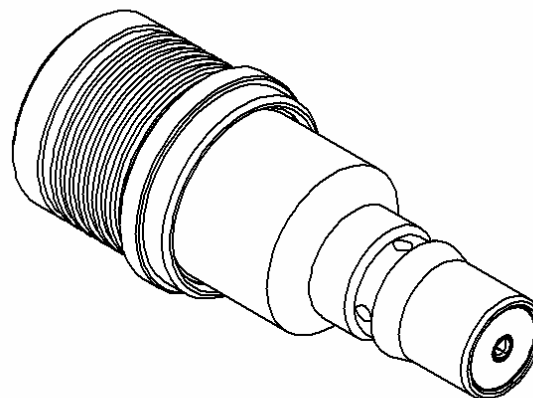
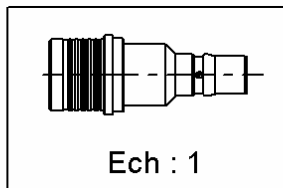
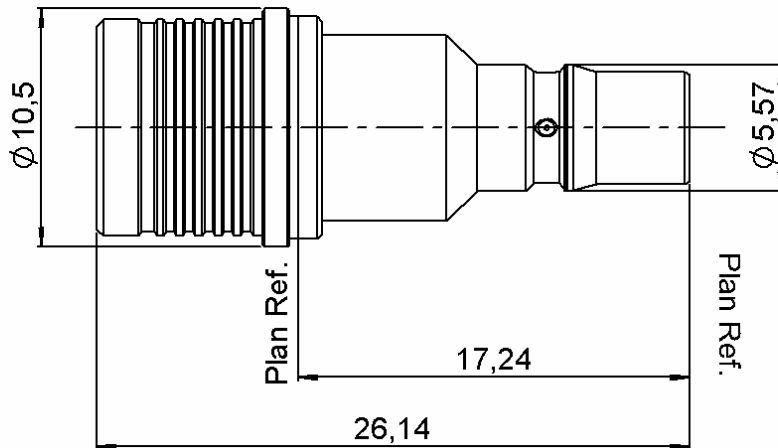


**6GHZ 1W 5DB QMA ATTENUATOR**

**R411.705.124**

Series :  
**ATTENUATEUR**



All dimensions are in mm.

COMPONENTS	MATERIALS	PLATING( $\mu\text{m}$ )
BODY	BRASS	BBR 2
MALE CENTER CONTACT	BRASS	GOLD 1.3 OVER COPPER 2.5
FEMALE CENTER CONTACT	BERYLLIUM COPPER	GOLD 1.3 OVER COPPER 2.5
OUTER CONTACT	BRASS	BBR 2
INSULATOR	PTFE	
GASKET		
SUBSTRATE	ALUMINA	
RESISTOR	THICK FILM	
OTHERS PARTS		

Issue : 0805 C

In the effort to improve our products, we reserve the right to make changes judged to be necessary.



**6GHZ 1W 5DB QMA ATTENUATOR**

**R411.705.124**

Series :  
**ATTENUATEUR**

**ELECTRICAL CHARACTERISTICS**

Frequency (GHz)	2	2 - 6		
V.S.W.R (≤)	1.20	1.30		
Deviation(±dB)	0.30	0.50		

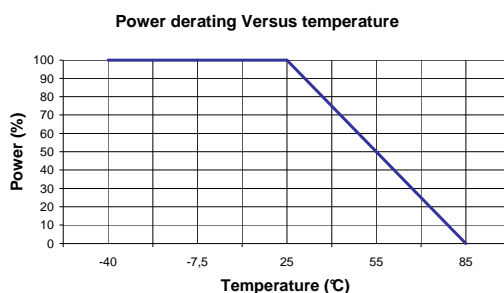
Operating Frequency Range		GHz
Impedance	50	Ω
Nominal Attenuation	5	dB
Peak power at 25°C (1μs, 1%)	100	W
Average power at 25°C	1	W (Free Air Cooled)
		W (Conduction Cooled)

**MECHANICAL CHARACTERISTICS**

Connectors            QMA  
Weight                 6,2600 g

**ENVIRONMENTAL CHARACTERISTICS**

Operating temperature range	-40 / +85 °C
Storage temperature range	-40 / +85 °C



**SPECIFICATION**

**OTHER CHARACTERISTICS**

Issue : 0805 C

In the effort to improve our products, we reserve the right to make changes judged to be necessary.

