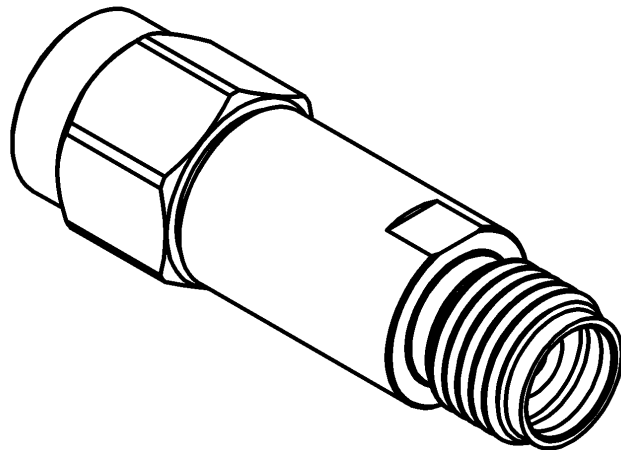
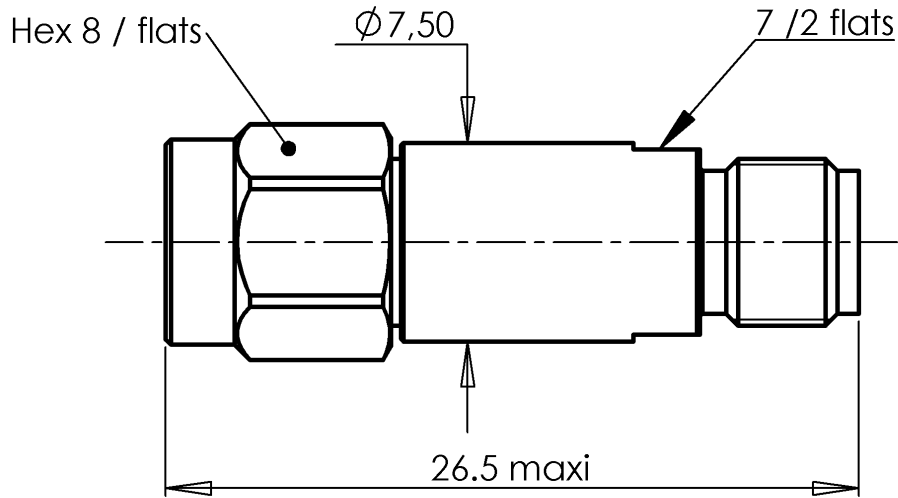


COAXIAL ATTENUATOR SMA 2.9 DC-40GHZ

R413.302.000

2 W - 2DB

Series : ATTENUATOR



Scale 1:1

All dimensions are in mm.

| COMPONENTS | MATERIALS | PLATING(μm) |
|------------------------------|---------------------|--------------------------|
| BODY | ACIER INOXYDABLE | PASSIVATION |
| MALE CENTER CONTACT | CUPRO BERYLLIUM | OR 1.3 SUR NICKEL 2 |
| FEMALE CENTER CONTACT | CUPRO BERYLLIUM | OR 1.3 SUR NICKEL 2 |
| OUTER CONTACT | ACIER INOXYDABLE | PASSIVATION |
| INSULATOR | - | |
| GASKET | ELASTOMERE SILICONE | |
| SUBSTRATE | CERAMIQUE D'ALUMINE | |
| RESISTOR | | |
| OTHERS PARTS | | |

Issue : 0741 D

In the effort to improve our products, we reserve the right to make changes judged to be necessary.

COAXIAL ATTENUATOR SMA 2.9 DC-40GHZ

R413.302.000

2 W - 2DB

Series : ATTENUATOR

ELECTRICAL CHARACTERISTICS

| | |
|-----------------|-----------------|
| Frequency (GHz) | DC - 40 |
| V.S.W.R (≤) | 1.60 (1.4 typ.) |
| Deviation(±dB) | 0.8 |

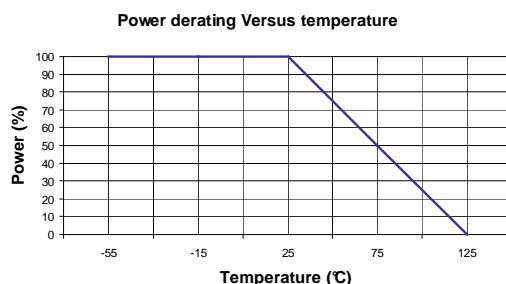
| | | |
|------------------------------|---------|---------------------|
| Operating Frequency Range | DC - 40 | GHz |
| Impedance | 50 | Ω |
| Nominal Attenuation | 2 | dB |
| Peak power at 25°C (1μs, 1%) | 100 | W |
| Average power at 25°C | 2 | W (Free Air Cooled) |

MECHANICAL CHARACTERISTICS

| | | | |
|------------|---------|-------------|-------------|
| Connectors | SMA 2.9 | Male Female | MIL-C 39012 |
| Weight | 6,5700 | g | |

ENVIRONMENTAL CHARACTERISTICS

| | |
|-----------------------------|-------------|
| Operating temperature range | -55/+125 °C |
| Storage temperature range | -55/+125 °C |



SPECIFICATION

OTHER CHARACTERISTICS

$$\text{Temperature sensitivity : } 4 * 10^{-4} \frac{\text{dB}}{\text{dB} * ^\circ\text{C}}$$

Issue : 0741 D

In the effort to improve our products, we reserve the right to make changes judged to be necessary.