

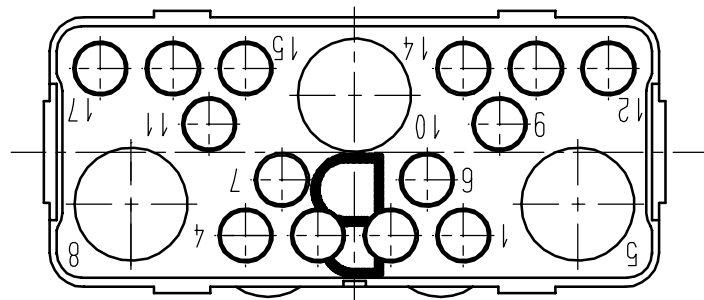
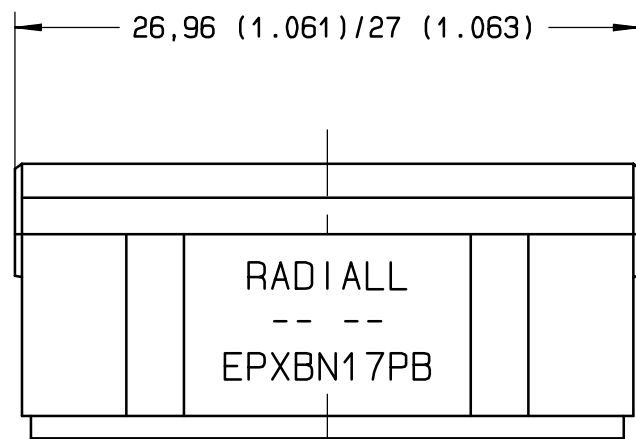
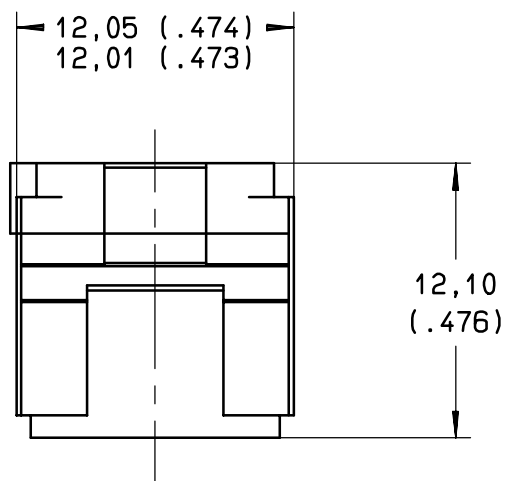
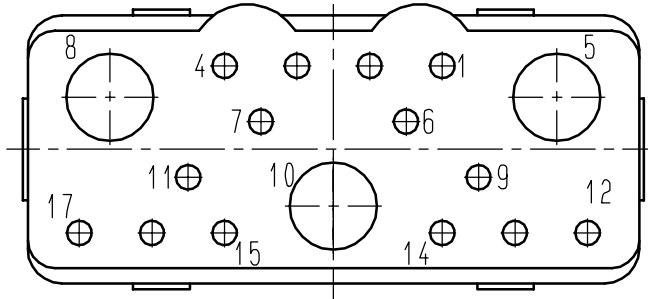


Series
EPXB

Insert
For 17 pin contacts
With polarization B.

Issue:
Jan. 30, 2001

Page
1 / 1

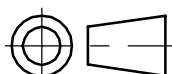


Materials:

Thermosetting fiberglass filled per ASTM D 5948-96, with metallic retention clips per ASTM-B-194.

Temperature range: -65°C +175°C (-85°F +347°F).

DIMENSIONS : mm (inch) -



This information is given as an indication. In the continual goal to improve our products, we reserve the right to make any modifications judged necessary.
4112-9610

CREATION				
PEN:				
NOM: G.Chevreau				
DATE: Jan. 30, 01				
APPR.: G.Motteau				
Issue	Revisions	Name	Approved	