

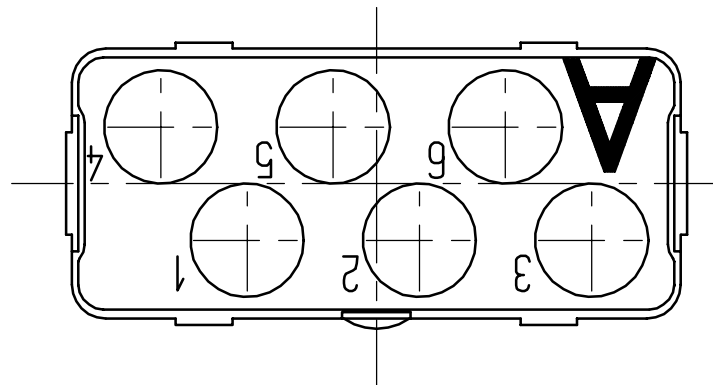
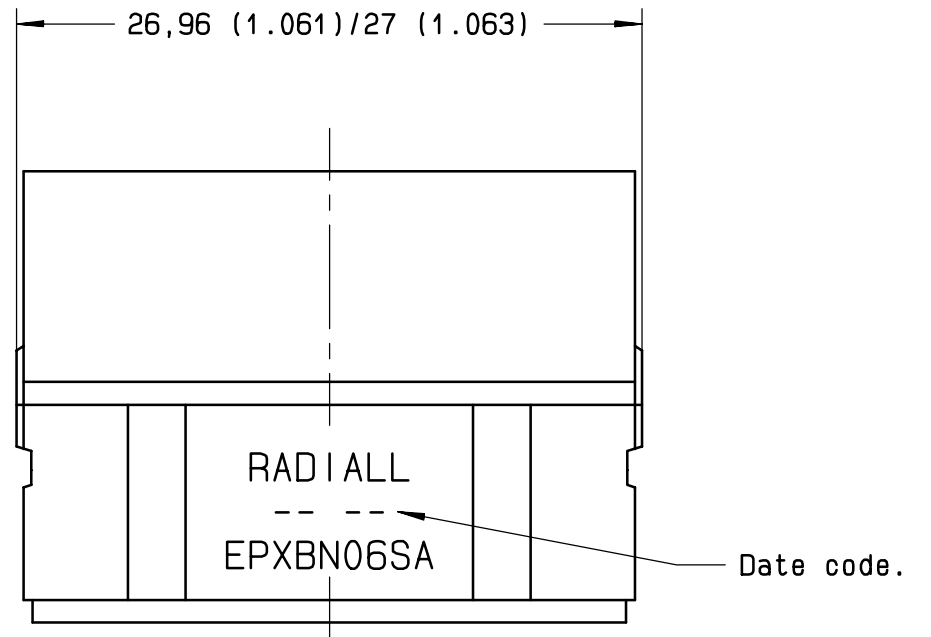
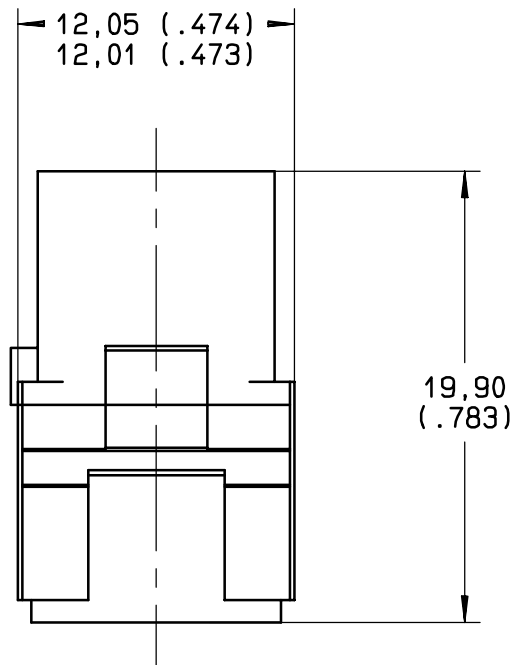
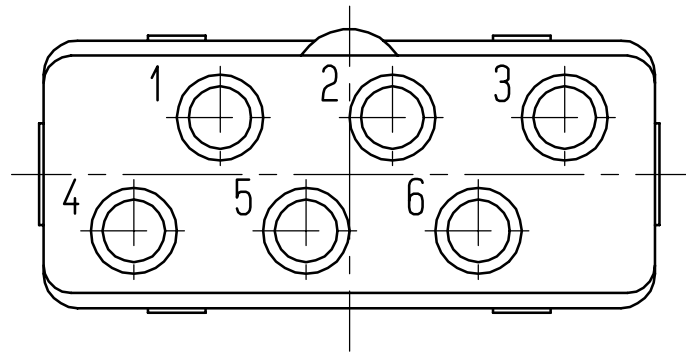


Series
EPXB

NON ENVIRONMENTAL INSERT, POLARIZATION A
WITH 6 CAVITIES FOR
SIZE 12 SOCKET CONTACTS.

Issue:
Oct. 24, 2202

Page
1 / 1



Material:

Thermosetting fiberglass filled per ASTM D 5948-96, with metallic retention clips per ASTM-B-194.

Temperature range: -65°C +175°C (-85°F +347°F).

DIMENSIONS : mm (inch) -

This information is given as an indication. In the continual goal to improve our products, we reserve the right to make any modifications judged necessary.

4112-9610

CREATION				
PEN:				
NOM: L.Gacia				
DATE: Oct. 24, 02				
APPR.: L.Giet				
Issue	Revisions	Name	Approved	