

PAGE 1/2

ISSUE 12-09-22

SERIE : SPDT

PART NUMBER : R570V42010

RF CHARACTERISTICS

Frequency range : **0 - 67 GHz**
Impedance : **50 Ohms**

Frequency (GHz)	DC - 6	6 - 12.4	12.4 - 18	18 - 26.5	26.5 - 40	40 - 50	50 - 67
VSWR max	1.30	1.40	1.50	1.70	1.90	1.90	1.90
Insertion loss max	0.30 dB	0.40 dB	0.50 dB	0.70 dB	0.80 dB	1.10 dB	1.10 dB
Isolation min	70 dB	60 dB	60 dB	55 dB	50 dB	50 dB	50 dB
Average power (*)	80 W	60 W	50 W	20 W	10 W	5 W	3 W

ELECTRICAL CHARACTERISTICS

Actuator : **LATCHING**
Nominal current ** : **210 mA**
Actuator voltage (Vcc) : **12V (10.2 to 13V) / POSITIVE COMMON**
Terminals : **solder pins (250°C max. / 30 sec.)**
Indicator rating : **1 W / 30 V / 100 mA**

MECHANICAL CHARACTERISTICS

Connectors : **1.85mm female (Accoding to IEEE STD 287)**
Life : **2 million cycles**
Switching Time*** : **< 10 ms**
Construction : **Splashproof**
Weight : **< 45 g**

ENVIRONMENTAL CHARACTERISTICS

Operating temperature range : **-25°C to +70°C**
Storage temperature range : **-40°C to +85°C**

(* Average power at 25°C per RF Path)

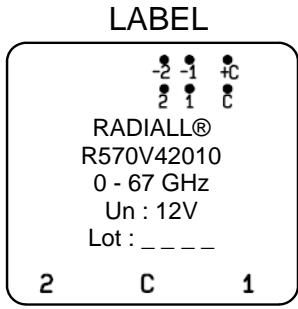
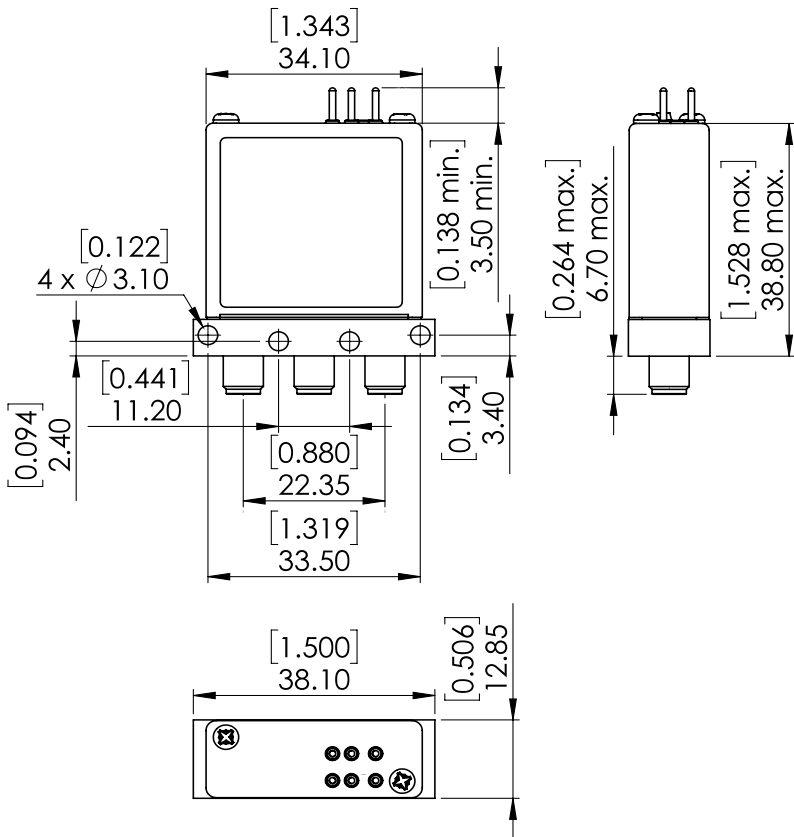
(** At 25° C ±10%)

(*** Nominal voltage ; 25° C)



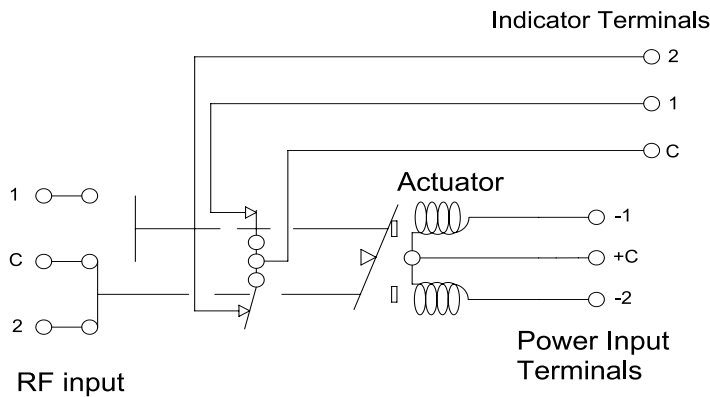
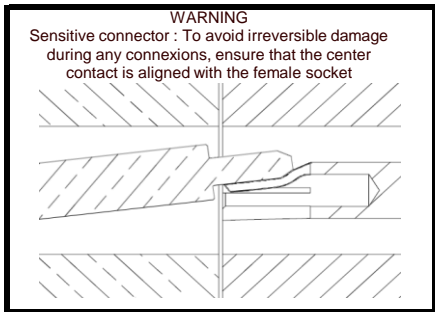
PAGE 2/2	ISSUE 12-09-22	SERIE : SPDT	PART NUMBER : R570V42010
----------	----------------	--------------	--------------------------

DRAWING



General tolerances : ±0,5 mm [0,02 in]

SCHEMATIC DIAGRAM



Voltage	RF Continuity	Ind.
+C -1	C ↔ 1	C.1
+C -2	C ↔ 2	C.2