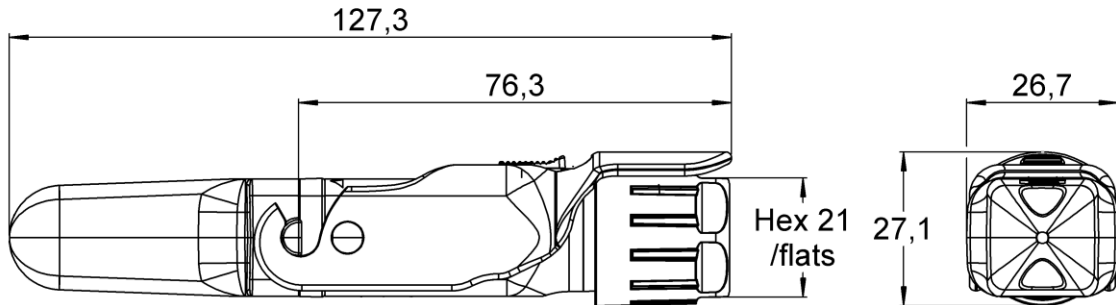
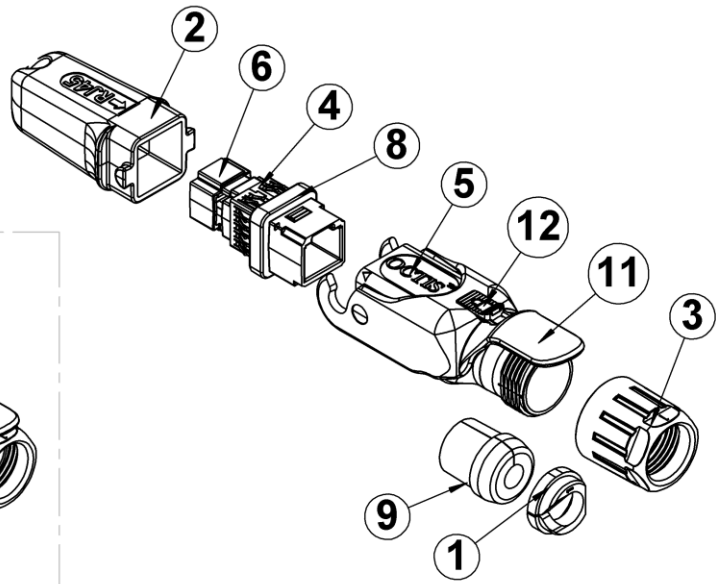
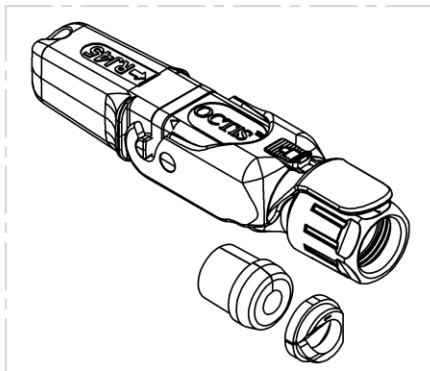


PAGE 1/2	ISSUE 17-03-16A	SERIES OCTIS	PART NUMBER OCTI217500
----------	-----------------	--------------	------------------------



Packing configuration



All dimensions are in mm.

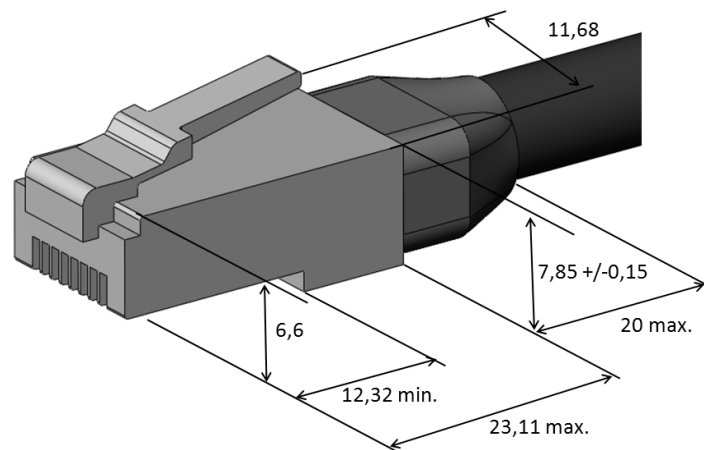
DESCRIPTION

REP	COMPONENT	MATERIALS	PLATING
1	Tightening Cone	PA	-
2	Plug Cap	PBT	-
3	Gland Nut	PBT	BLACK COLOR
4	Grounding Ring	STAINLESS STEEL	-
5	Housing	PBT	-
6	Holder	ZAMAK	PASSIVATED
8	Interface sealing gasket	SILICONE	-
9	Split rubber gland	SILICONE	-
11	Lever	IXEF	-
12	Locking button	PBT	-

GENERAL CHARACTERISTICS

Mechanical Mating endurance (cycles) Axial Tensile load (N min) Vibration Recom. coupling torque (N.cm) Weight (g)	IEC 61300-2-2 IEC 61300-2-4 IEC 61300-2-1 - -	100 150 - 200 min. / 250 max. 62,3740
Environmental Protection class (mated condition) Operating temperature (°C) Storage temperature (°C) Humidity (damp heat) (%RH) Salt Mist RoHS Flammability UVB Resist	IEC 60529 IEC 61300-2-22 IEC 61300-2-22 IEC 61300-2-19 IEC 61300-2-26 (ISO21207 method B) - UL 94 ASTM G154	IP67 (*) -40 / +85 -40 / +85 5 / 95 720h (*) Compliant V0 Compliant
Others: RJ45 Cable Packaging	IEC 60603-7 - -	For use with OCTIS RJ45 panel interface or receptacle For use with standard RJ45 cable assemblies Cable Diameter from 6,5 to 7,1 mm (field cable only) Unitary in plastic bag with assembly note.

(*) Mated condition

RJ45 CONNECTOR REQUEST (IEC 60603-7)


For more information about compatible RJ45, please contact us.