

RF CHARACTERISTICS

Frequency range : **0 - 26.5 GHz**
Impedance : **50 Ohms**

Frequency (GHz)	DC - 3	3 - 8	8 - 12.4	12.4 - 18	18 - 26.5
VSWR max	1.20	1.30	1.40	1.50	1.70
Insertion loss max	0.20 dB	0.30 dB	0.40 dB	0.50 dB	0.70 dB
Isolation min	80 dB	70 dB	60 dB	60 dB	55 dB
Average power (*)	240 W	150 W	120 W	100 W	40 W

ELECTRICAL CHARACTERISTICS

Actuator : **LATCHING**
Nominal current ** : **420 mA**
Actuator voltage (Vcc) : **12V (10.2 to 13V)**
Terminals : **solder pins (250°C max. / 30 sec.)**
TTL inputs (E) - High level : **2.2 to 5.5 V / 800µA at 5.5 V**
- Low level : **0 to 0.8 V / 20µA at 0.8 V**

MECHANICAL CHARACTERISTICS

Connectors : **SMA female per MIL-C 39012**
Life : **10 million cycles**
Switching Time*** : **< 10 ms**
Construction : **Splashproof**
Weight : **< 100 g**

ENVIRONMENTAL CHARACTERISTICS

Operating temperature range : **-40°C to +85°C**
Storage temperature range : **-55°C to +85°C**

(* Average power at 25°C per RF Path)

(** At 25° C ±10%)

(*** Nominal voltage ; 25° C)



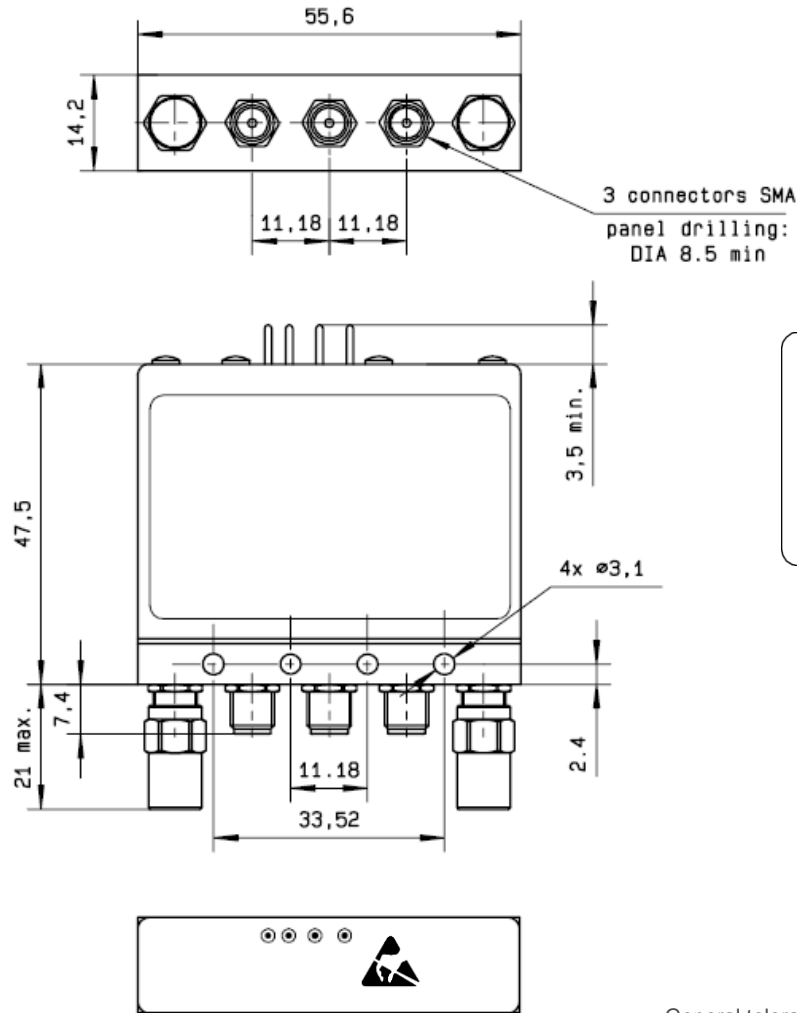
PAGE 2/2

ISSUE 05.06.15

SERIE : SPDT ZC

PART NUMBER : R585F32500

DRAWING



LABEL

E2 E1 GND Vcc 0 - 26.5 GHz
Un : 12V

RADIALL®
R585F32500
Lot : _ _ _ _

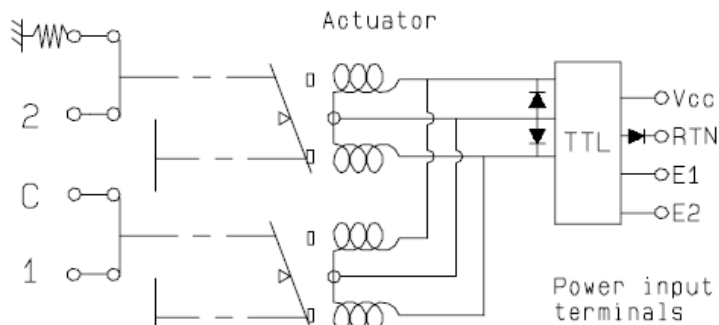
2 C 1

General tolerances : ± 0.5 mm

SCHEMATIC DIAGRAM

RF input

50 Ω Termination



50 Ω Termination

TTL input	RF Continuity
E1=1 / E2=0	C \leftrightarrow 1 / 2 \leftrightarrow 50 Ω
E1=0 / E2=1	C \leftrightarrow 2 / 1 \leftrightarrow 50 Ω
E1=0 / E2=0	Memory
E1=1 / E2=1	Forbidden