

## PRODUCT CHANGE NOTIFICATION

**TO:** ALL AFFECTED CUSTOMERS

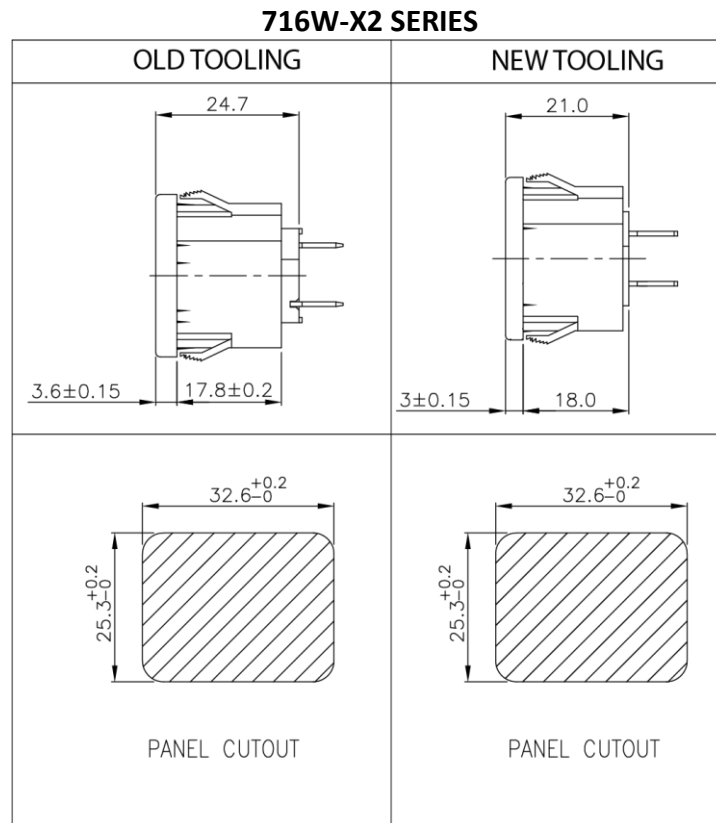
**FROM:** QUALTEK ELECTRONICS

**CLASSIFICATION OF CHANGE:** 716W SERIES RECEPTACLES TRANSITIONING TO UL 60320-1

UL HAS REVAMPED THE CLASSIFICATION OF APPLIANCE INLETS, CONNECTORS, PLUGS, AND APPLIANCE OUTLETS. UL IS TRANSITIONING FROM UL 498 AND UL 817 TO UL 60320-1. THE TRANSITION MUST BE COMPLETED BY MAY 21, 2021. YOU CAN FIND MORE INFORMATION IN THE LINK BELOW:

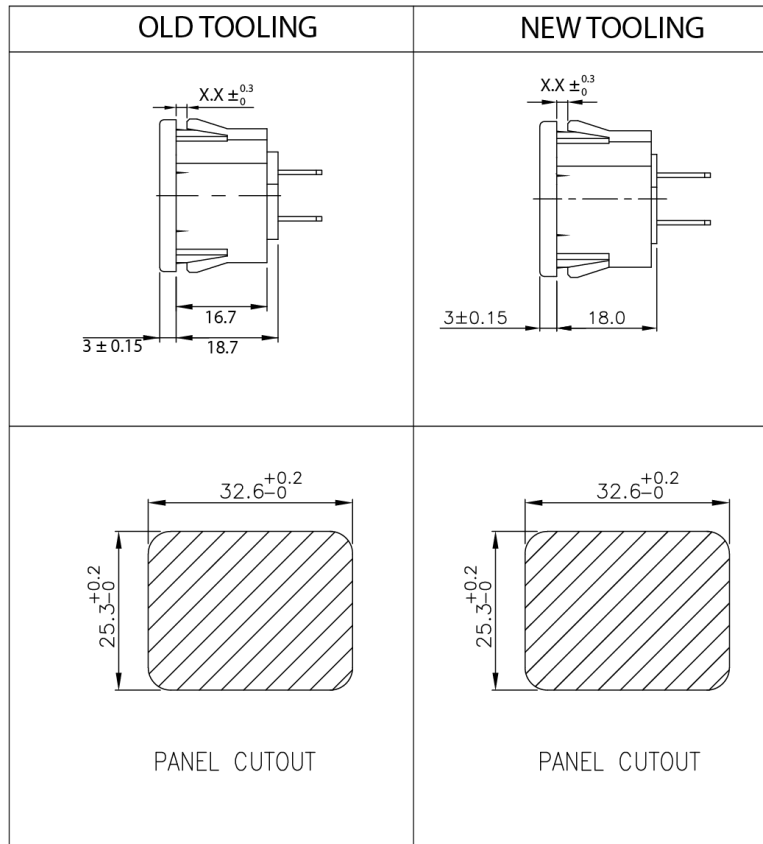
[https://industries.ul.com/wp-content/uploads/sites/2/2014/01/UL IEC60320-1.pdf](https://industries.ul.com/wp-content/uploads/sites/2/2014/01/UL_IEC60320-1.pdf)

QUALTEK ELECTRONICS WILL BE MIGRATING ITS 716W SERIES RECEPTACLES TO THIS NEW STANDARD. THIS NEW STANDARD REQUIRED QUALTEK TO MODIFY THE TOOLING OF THESE RECEPTACLES TO BE COMPLIANT. THE THICKNESS OF THE FRONT FLANGE AS WELL AS THE DEPTH OF THE RECEPTACLES HAVE CHANGED SLIGHTLY. THESE RECEPTACLES WILL STILL WORK 100% IN PLACE OF THE EXISTING REVISIONS AND PARTS CURRENTLY BEING PURCHASED. BELOW IS A DIAGRAM DEPICTING THE CHANGES:



**FIGURE 1**

## 716W SERIES



**FIGURE 2**

**ALL VERSIONS OF THESE PARTS ARE 100% COMPLIANT WITH THE SPECIFICATIONS CALLED OUT BY UL.**

**QUALTEK WILL MARK THE PARTS APPROVED TO THE NEW STANDARD BY STATING UL 60320 APPROVED ON THE OUTER CARTON LABEL. IF THE PARTS DO NOT HAVE THE UL 60320 APPROVED STATEMENT ON THE OUTER CARTON THEN PARTS WERE PRODUCED WITH THE OLD TOOLING. AS OLD TOOLING INVENTORY IS DEPLETED, DRAWINGS WILL BE UPDATED AND POSTED ON QUALTEK'S WEBSITE: [www.qualtekusa.com](http://www.qualtekusa.com)**

**ALL PART NUMBERS AFFECTED ARE SHOWN BELOW:**

PART NUMBER	APPLICABLE FIGURE
716W-X2/01	FIGURE 1
716W-X2/02	FIGURE 1
716W-X2/03	FIGURE 1
716W-X2/03	FIGURE 1
716W-X2/03-WH1	FIGURE 1
716W-X2/05	FIGURE 1
716W-10/14	FIGURE 2
716W-15/05	FIGURE 2
716W-15/10	FIGURE 2
716W-15/15	FIGURE 2

716W-20/06	FIGURE 2
716W-20/11	FIGURE 2
716W-20/16	FIGURE 2
716W-20/24	FIGURE 2
716W-25/17	FIGURE 2
716W-30/13	FIGURE 2
716W-30/18	FIGURE 2

**LAST TIME BUY:** NONE.

**CONTACT INFORMATION:** PLEASE CONTACT QUALTEK ELECTRONICS CUSTOMER SERVICE FOR AVAILABILITY.

PHONE: 440-951-3300

FAX: 440-951-7252