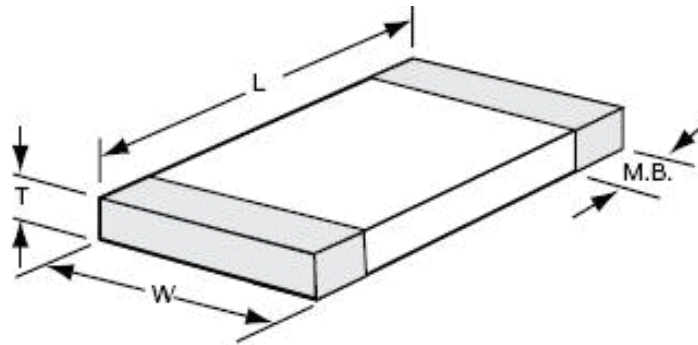


## Extended Range Capacitors

For commercial applications that require maximum capacitance, Presidio recommends its extended range capacitors. This product is suitable for Group A testing but is not intended for continuous use at 125°C at its maximum voltage rating.

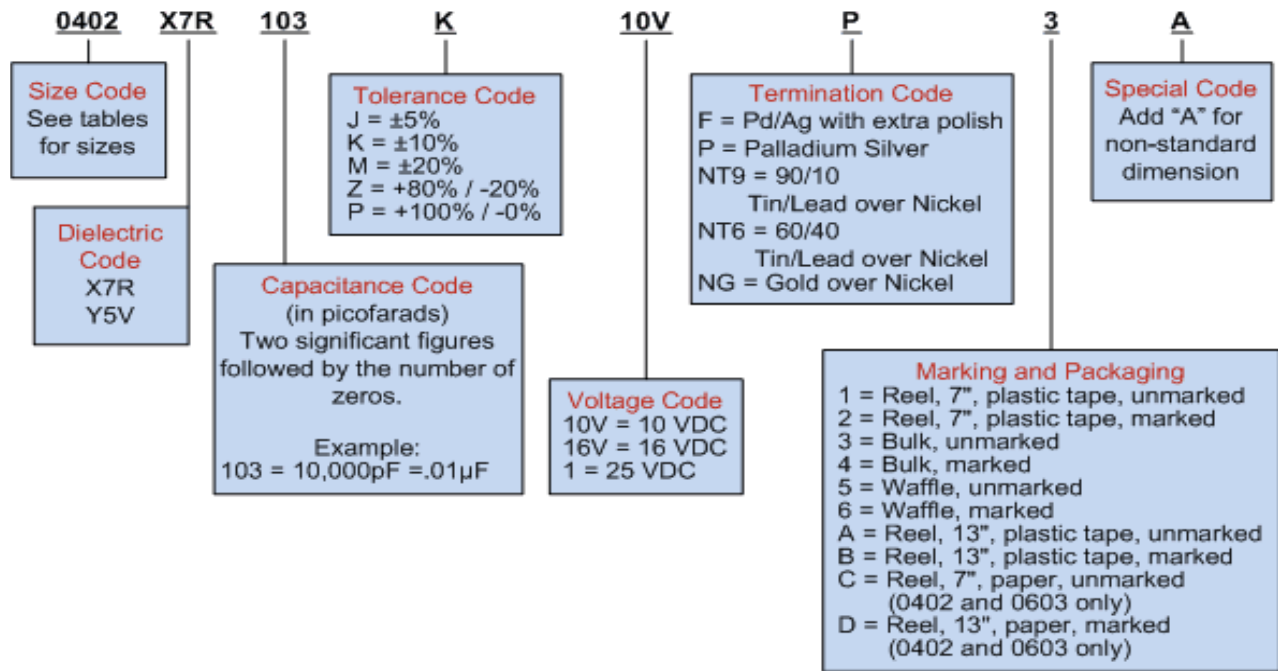
SIZE	L inches (mm)	W inches (mm)	THICKNESS MAX. (T) inches (mm)	METALIZATION BAND (M.B.) inches (mm)	WVDC	DIELECTRIC	
						X7R	Y5V
0402	0.040 (1.02) ± 0.004 (0.10)	0.020 (0.51) ± 0.004 (0.10)	0.024 (0.61)	0.004 (0.10) min. band 0.015 (0.38) min. space	10 V	0.022 µF	0.10 µF
					16 V	0.010 µF	0.047 µF
					25 V	5600 pF	0.022 µF
0403	0.040 (1.02) ± 0.010 (0.25)	0.030 (0.76) ± 0.010 (0.25)	0.030 (0.76)	0.004 (0.10) min. band 0.015 (0.38) min. space	10 V	0.068 µF	0.18 µF
					16 V	0.033 µF	0.10 µF
					25 V	0.018 µF	0.056 µF
0504	0.050 (1.27) ± 0.010 (0.25)	0.040 (1.02) ± 0.010 (0.25)	0.040 (1.02)	0.005 (0.13) min. band 0.015 (0.38) min. space	10 V	0.15 µF	0.47 µF
					16 V	0.10 µF	0.33 µF
					25 V	0.068 µF	0.18 µF
0603	0.063 (1.60) ± 0.006 (0.15)	0.032 (0.81) ± 0.006 (0.15)	0.035 (0.89)	0.005 (0.13) min. band 0.025 (0.64) min. space	10 V	0.15 µF	0.47 µF
					16 V	0.10 µF	0.33 µF
					25 V	0.068 µF	0.18 µF
0805	0.080 (2.03) ± 0.010 (0.25)	0.050 (1.27) ± 0.010 (0.25)	0.050 (1.27)	0.020 (0.51) ± 0.010 (0.25)	10 V	0.27 µF	0.82 µF
					16 V	0.20 µF	0.56 µF
					25 V	0.15 µF	0.047 µF
1206	0.126 (3.20) ± 0.008 (0.20)	0.063 (1.60) ± 0.008 (0.20)	0.059 (1.50)	0.020 (0.51) ± 0.010 (0.25)	10 V	0.68 µF	2.0 µF
					16 V	0.47 µF	1.5 µF
					25 V	0.33 µF	1.0 µF

### Dimensions



# Extended Range Capacitors

## How To Order



Consult factory for other voltages, capacitance options and parts outside a given range.

The above example is of Presidio's Manufacturing part number.

If a shorter part number is desired, use our conversion tool to create our Global part number.



PRESIDIO COMPONENTS, INC.

7169 Construction Court, San Diego, CA 92121 USA • Tel: 858-578-9390 • Fax: 800-538-3880 or 858-578-6225  
Web: [www.presidiocomponents.com](http://www.presidiocomponents.com) • Email: [info@presidiocomponents.com](mailto:info@presidiocomponents.com)