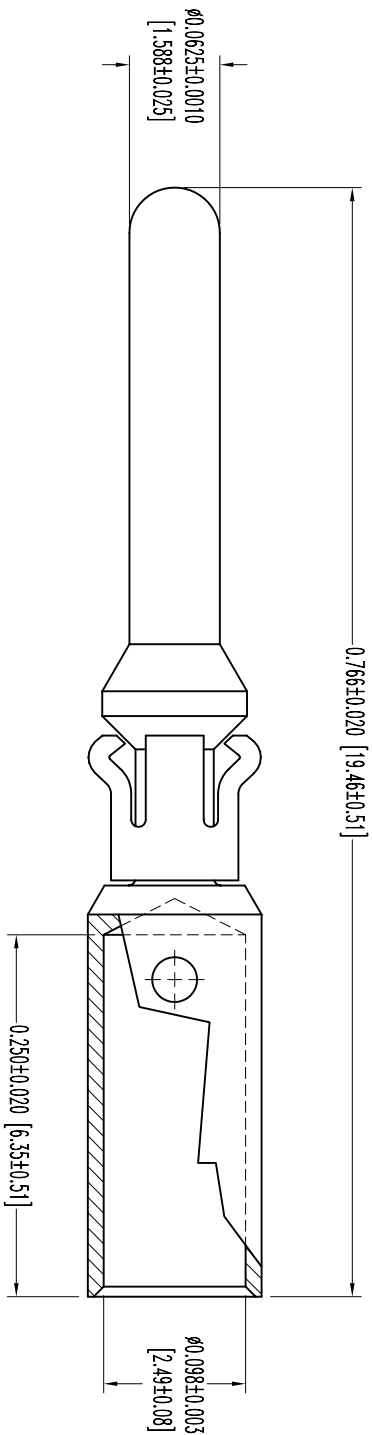


POSITRONIC INDUSTRIES BELIEVES THE DATA ON THIS DRAWING TO BE RELIABLE SINCE THE TECHNICAL INFORMATION IS GIVEN FREE OF CHARGE, THE USER EMPLOYS SUCH INFORMATION AT HIS OWN DISCRETION. POSITRONIC INDUSTRIES ASSUMES NO LIABILITY OR RESPONSIBILITY FOR RESULTS OBTAINED OR DAMAGES INCURRED FROM USE OF SUCH INFORMATION IN WHOLE OR IN PART.



- NOTES:
1. MATERIAL AND FINISHES:  
CONTACT: TELLURIUM COPPER, GOLD FLASH OVER NICKEL PLATE.  
SPRING CLIP: BERYLLIUM COPPER, GOLD FLASH OVER NICKEL PLATE.
  2. CONTACTS ARE ROHS COMPLIANT PER ROHS DIRECTIVE 2002/95/EC OF 27 JAN 2003.
  3. DIMENSIONS ARE IN INCHES [MILLIMETERS].

DATE	REV	REVISION RECORD	APP	DR	CK
3-2-06	NC	ECO 25587		YK	

SK7116


**POSITRONIC INDUSTRIES INC.**  
 www.connectpositronic.com

DECIMAL TOL.	SCALE	DRAWN BY	REV.
± 0.015 [0.381]	N.T.S.	YK	NC
ANGULAR TOL.	TITLE	DATE	
± 5°	PCS STRIPS	3-2-06	
	MC112NS/AA	DRAWING NUMBER	
		SK7116	