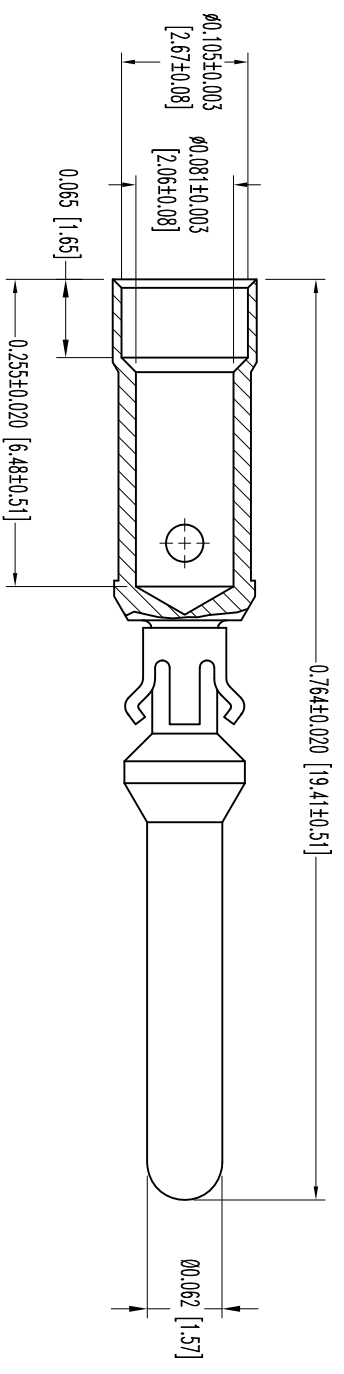



THIS DRAWING CONTAINS INFORMATION PROPRIETARY TO POSITRONIC AND ITS SUBSIDIARIES. POSITRONIC BELIEVES THAT THE INFORMATION CONTAINED HEREIN IS UNPUBLISHED TECHNICAL INFORMATION AND IS NOT TO BE REPRODUCED OR USED BY ANY OTHER PERSON WITHOUT THE WRITTEN CONSENT OF POSITRONIC. POSITRONIC ASSUMES NO RESPONSIBILITY FOR THE RISK OF INJURY OR DAMAGE TO PERSONS OR PROPERTY FROM SUCH INFORMATION IN WHOLE OR IN PART.



- NOTES:
1. MATERIALS AND FINISHES:
CONTACT: COPPER ALLOY, GOLD FLASH OVER NICKEL PLATE.
SPRING CLIP: BERYLLIUM COPPER, GOLD FLASH OVER NICKEL PLATE.
 2. DETAILED PRODUCT, ELECTRICAL, AND MECHANICAL INFORMATION IS AVAILABLE IN THE LATEST PCS PRODUCT PUBLICATION. VISIT
CONNECTPOSITRONIC.COM/PRODUCTS/20/POWERCONNECTIONSYSTEMS
OR CONNECTPOSITRONIC.COM.
 3. CONNECTORS ARE ROHS COMPLIANT PER ROHS DIRECTIVE 2002/95/EC OF 27 JAN 2003.
 4. DIMENSIONS ARE IN INCHES [MILLIMETERS].

SK6764

DATE	REV	REVISION/RECORD	APP	DR	OK
11-29-05	NC	ECO 25113	RW	YK	COLE
2-22-12	A	ECO 35258	COLE	MP	COLE

		POSITRONIC INDUSTRIES INC. www.connectpositronic.com		FSCM 28198	
		PCS SERIES	SCALE N.T.S.	DRAWN BY YK	APPROVED BY R. WILLIAMS
DECIMAL TOL. ± 0.015 [0.38]	TITLE MC114N/AA	DATE 11-29-05	DRAWING NUMBER SK6764	REV. A	
ANGULAR TOL. $\pm 5^\circ$					