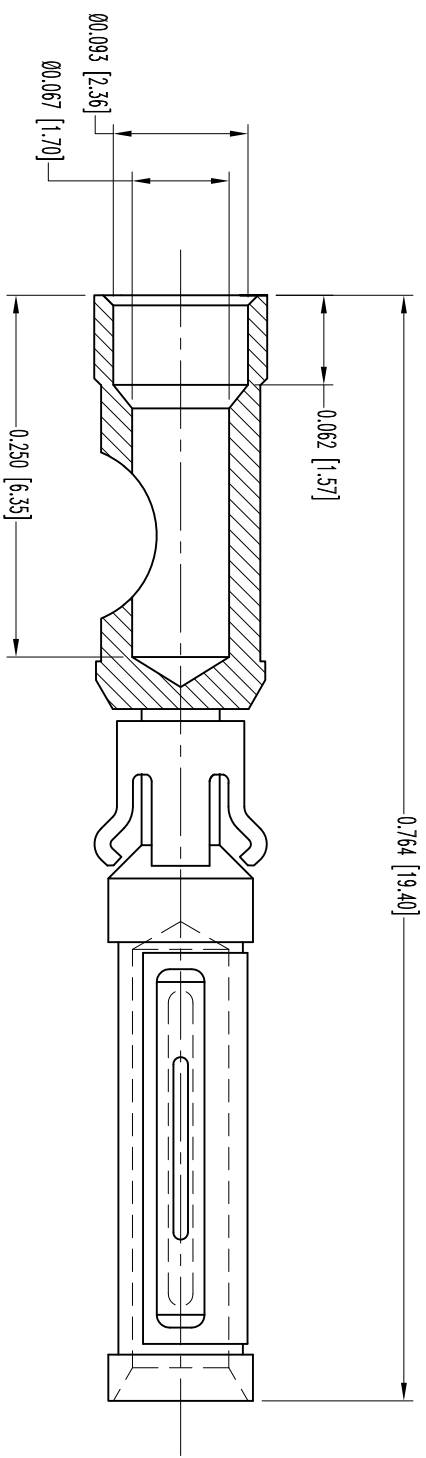



THIS DRAWING CONTAINS INFORMATION PROPRIETARY TO POSITRONIC INDUSTRIES INC. THE DRAWING AND ITS DIMENSIONS SHALL BE THE PROPERTY OF POSITRONIC INDUSTRIES INC. AND SHALL NOT BE REPRODUCED OR TRANSMITTED IN ANY FORM OR BY ANY MEANS, ELECTRONIC OR MECHANICAL, INCLUDING PHOTOCOPYING, RECORDING, OR BY ANY INFORMATION STORAGE AND RETRIEVAL SYSTEM, WITHOUT THE WRITTEN PERMISSION OF POSITRONIC INDUSTRIES INC. THE USER EMPLOYER'S SUCH INFORMATION AT HIS OWN DISCRETION. POSITRONIC INDUSTRIES INC. ASSUMES NO LIABILITY FOR RESULTS OBTAINED OR DAMAGES INCURRED FROM USE OF SUCH INFORMATION IN WHOLE OR IN PART.



- NOTES:
1. MATERIALS AND FINISHES:
 CONTACT: COPPER ALLOY, GOLD FLASH OVER NICKEL PLATE.
 SPRING CLIP: BERYLLIUM COPPER, GOLD FLASH OVER NICKEL PLATE.
 RETAINER: BERYLLIUM COPPER, GOLD FLASH OVER NICKEL PLATE.
 2. DETAILED PRODUCT, MECHANICAL, AND ELECTRICAL INFORMATION IS AVAILABLE IN THE LATEST STANDARD DENSITY RECTANGULAR PRODUCT PUBLICATION. VISIT CONNECTPOSTRONIC.COM/PRODUCTS/53/STANDARDENSITYRECTANGULAR OR CONNECTPOSTRONIC.COM.
 3. CONTACTS ARE ROHS COMPLIANT PER ROHS DIRECTIVE 2002/95/EC OF 27 JAN 2003.
 4. DIMENSIONS ARE IN INCHES [MILLIMETERS].

SK8246

DATE	REV	REVISION RECORD	APP	DR	OK
12-22-06	NC	ECO 27229	RW	YK	TK
2-23-12	A	ECO 35260	COLB	MP	COLB

 POSITRONIC INDUSTRIES INC. www.connectpositronic.com		FSCM 28198	
DECIMAL TOL. ± 0.015 [0.38]		SCALE N.T.S.	
ANGULAR TOL. ± 5°		DRAWN BY YK	
DATE 12-22-06		APPROVED BY R. WILLIAMS	
DRAWING NUMBER SK8246		TITLE FS116N2/AA	
		REV. A	